



PARTS CATALOG

75 AND 90 H.P.

SERIAL NUMBER

75 (1976)	756BC
75 (1976)	756HC
75 (1976)	757BC
75 (1976)	757HC
75 (1977)	756BC
75 (1977)	756HC
75 (1977)	757BC
90 (1976)	906HC
90 (1976)	907BC
90 (1976)	907HC
90 (1977)	906BC
90 (1977)	907BC
90 (1977)	907HC

TABLE OF CONTENTS:

ACCESSORIES	48
CARBURETOR	16
CRANKSHAFT AND PISTON GROUP	28
DISTRIBUTOR	12
ELECTRICAL COMPONENTS	6
ENGINE COVER AND SUPPORT PLATE	2
FUEL TANK AND LINE	38
GEAR HOUSING	34
LUBRICATION CHART	52
MOTOR LEG	30
PARTS INDEX	54
POWER HEAD	22
REMOTE CONTROL	40
SPECIAL ADJUSTMENTS	53
SPECIAL TOOLS - GEAR HOUSING	46
SPECIAL TOOLS - POWER HEAD	45
SPECIAL TOOLS - TEST EQUIPMENT	47
SPECIAL TOOLS - TUNE-UP	44
SPECIFICATIONS	51
STARTER	10

NOTE: Indented description indicate that these parts are included in preceeding assembly.

AR = As Required

NSS = Not Sold Separate

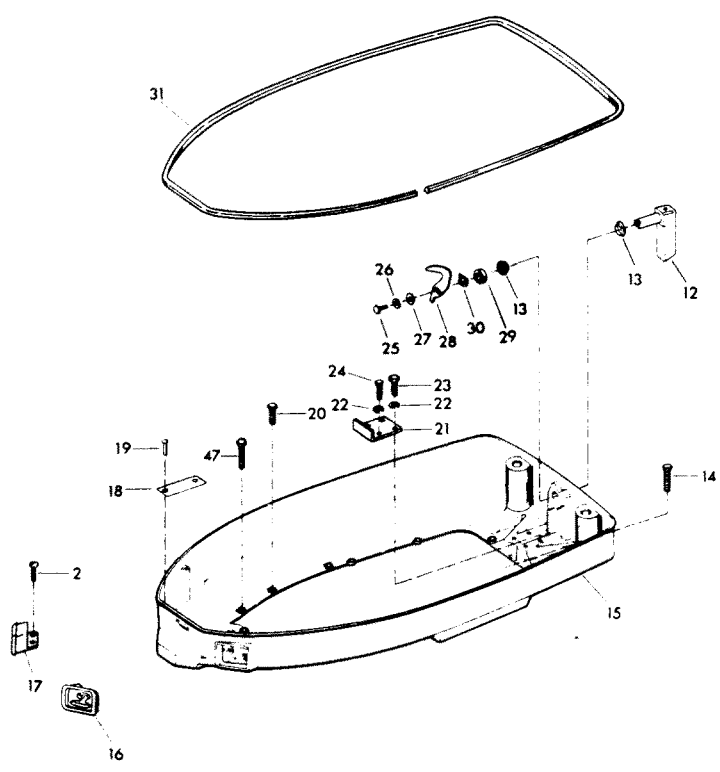
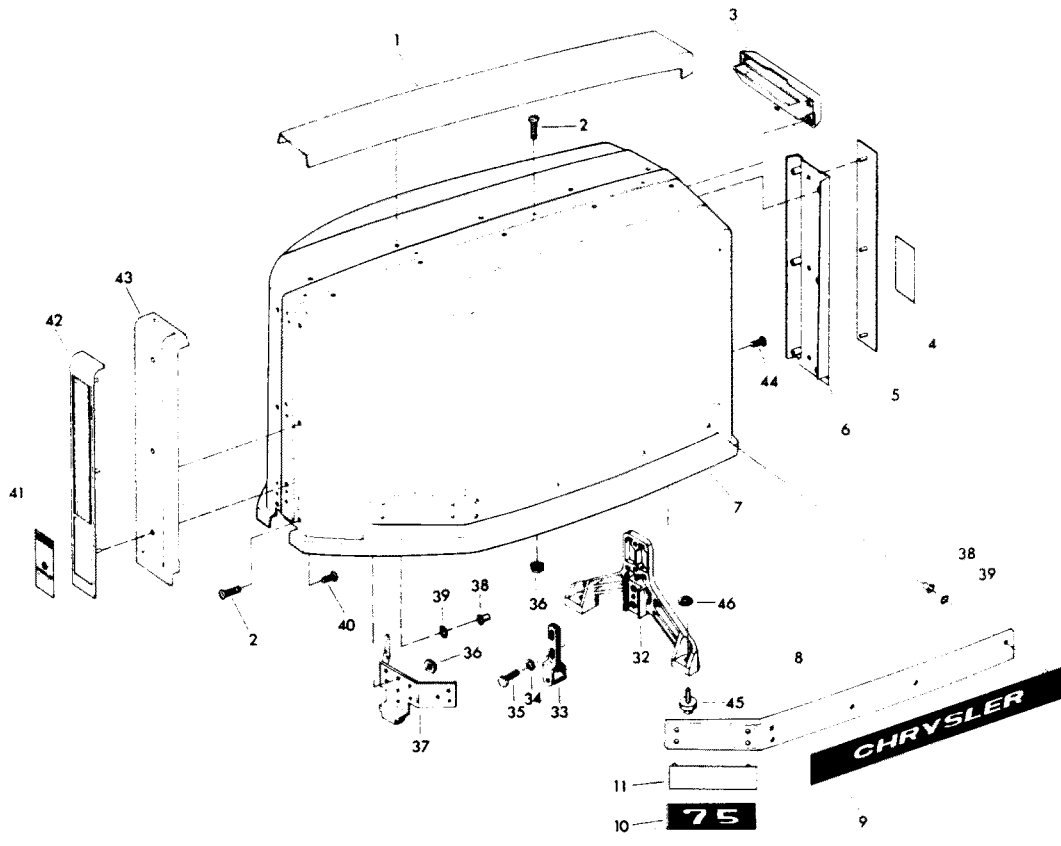
OPT = Optional

NS = Not Shown

THESE PARTS BOOKS/FICHE CARD ARE COPYRIGHTED AND MAY NOT BE DISTRIBUTED OR REPRODUCED IN ANY OTHER FORMAT BY ANYONE OTHER THAN MERCURY MARINE WITHOUT THE PRIOR WRITTEN CONSENT OF MERCURY MARINE.

THIS PAGE INTENTIONALLY LEFT BLANK

ENGINE COVER AND SUPPORT PLATE

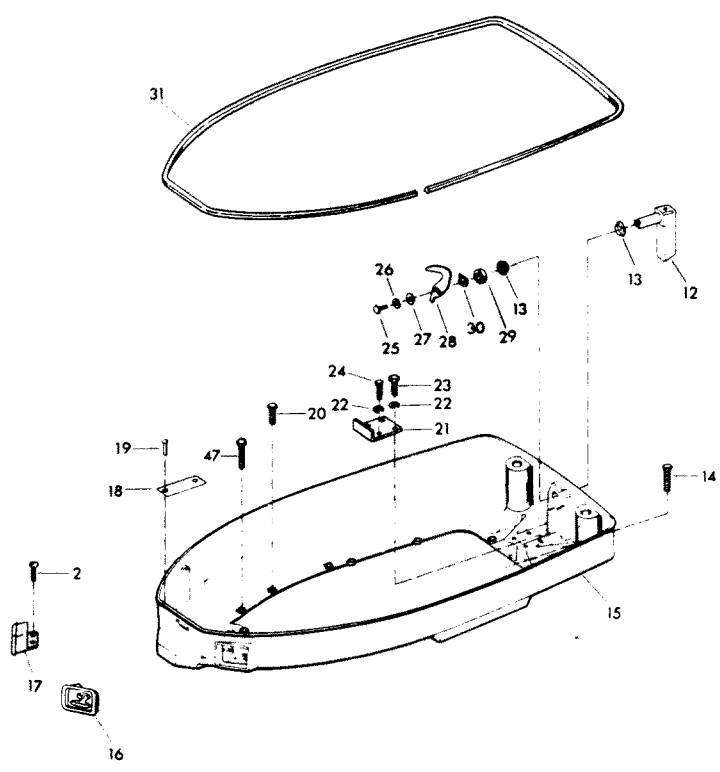
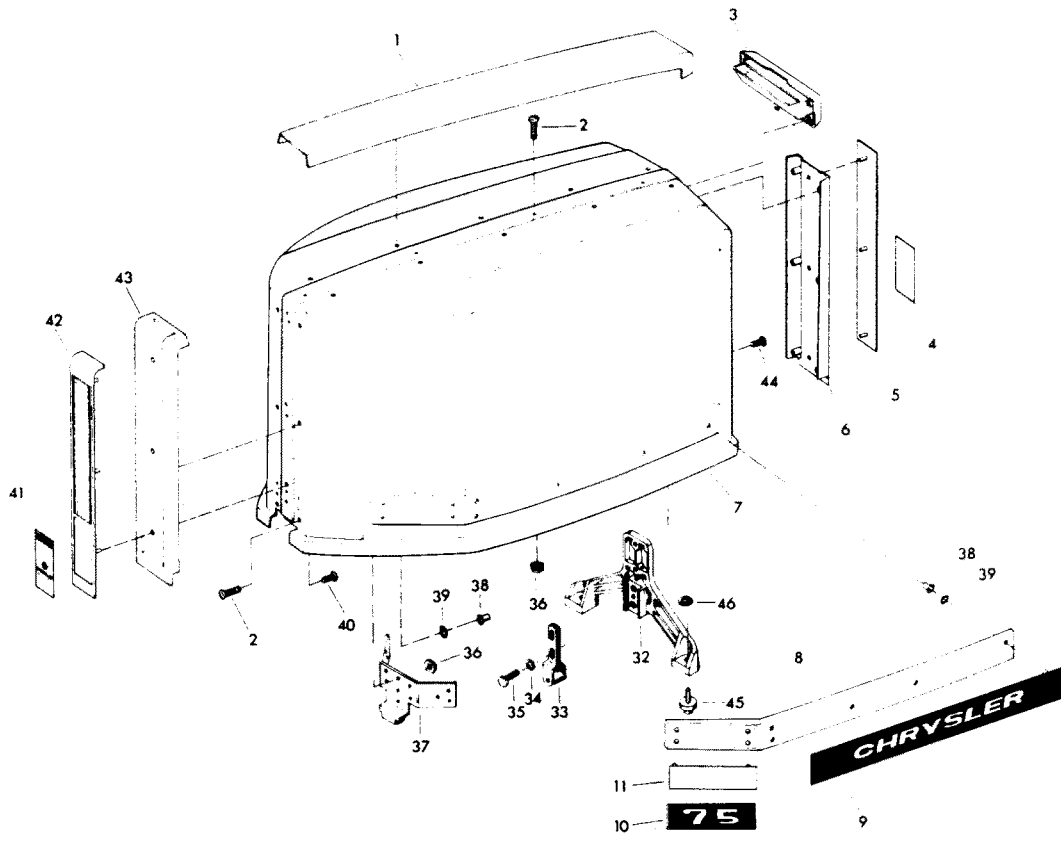


ENGINE COVER AND SUPPORT PLATE

REF. NO.	PART NO.	SYM.	QTY.	DESCRIPTION
1	FS480179		1	TRIM, TOP
2	F1733		10	PAN HD SCREW, 10 - 24 X 9/16
3	FS480269		1	TILT HANDLE
5	F480386		1	PLATE, REAR
6	FS480180		1	TRIM, REAR
7	A480944		1	ENGINE COVER W/RETAINER, SCREWS AND NUTS
8	F333392		2	PLATE, SIDE
9	F463366		2	NAME "CHRYSLER"
11	F373512		2	PLATE, INSERT
12	FA481469		1	ENGINE COVER LATCH HANDLE W/SHAFT
13	F480818		2	BEARING, LATCH SHAFT
14	F1238		6	HEX CAP SCREW, 1/4 - 20 X 3/4
15	F480038-2		1	SUPPORT PLATE
16	F310189		1	BUSHING, ELECTRIC CABLE
17	F311189-1		1	BUSHING, CABLE ENTRY
18	FA77395-5		1	IDENTIFICATION PLATE W/SCREWS FOR U.S.A MODELS
-	AC16395-7		1	IDENTIFICATION PLATE W/SCREWS FOR CANADA MODELS
19	F1293		2	ROUND HD SCREW, 2 X 3/16
20	F1502		5	HEX SLOT HD SCREW, 1/4 - 20 X 5/8
21	F335654-1		1	DEFLECTION STOP
22	F8096		4	SPRING LOCKWASHER
23	F1857		2	HEX CAP SCREW, 5/16 - 18 X 5/8
24	F1858		2	HEX CAP SCREW, 5/16 - 18 X 1
25	F1854		1	HEX CAP SCREW, 1/4 - 20 X 5/8
26	F8083		1	SPRING LOCKWASHER
27	F8094		1	PLAIN WASHER
28	F481777		1	CAM, LATCH SHAFT
29	F481382-1		1	SPACER, LATCH SHAFT
30	F2047		1	WAVE SPRING WASHER
31	F321756		1	PACKING
32	F481774		1	BRACKET, ENGINE COVER LATCH
33	FA481743		1	LATCH, ROLLER BRACKET
34	F8096		2	SPRING LOCKWASHER
35	F1857		2	HEX CAP SCREW, 5/16 - 18 X 5/8
36	F1473		7	HEX NUT, 10 - 24
37	F373778-1		1	RETAINER, ENGINE COVER
38	F1753		24	FASTENER
39	F85735-1		24	SEAL
40	F2066		26	PAN HD TAPPING SCREW, 10 X 7/16
41	FA467892		1	INSERT, PLATE FRONT - U.S.A.
-	FA467893		1	INSERT, PLATE FRONT - CANADA
42	F480711		1	PLATE, ENGINE COVER FRONT
43	FS480888		1	TRIM, FRONT

CONTINUED ON NEXT PAGE ➡

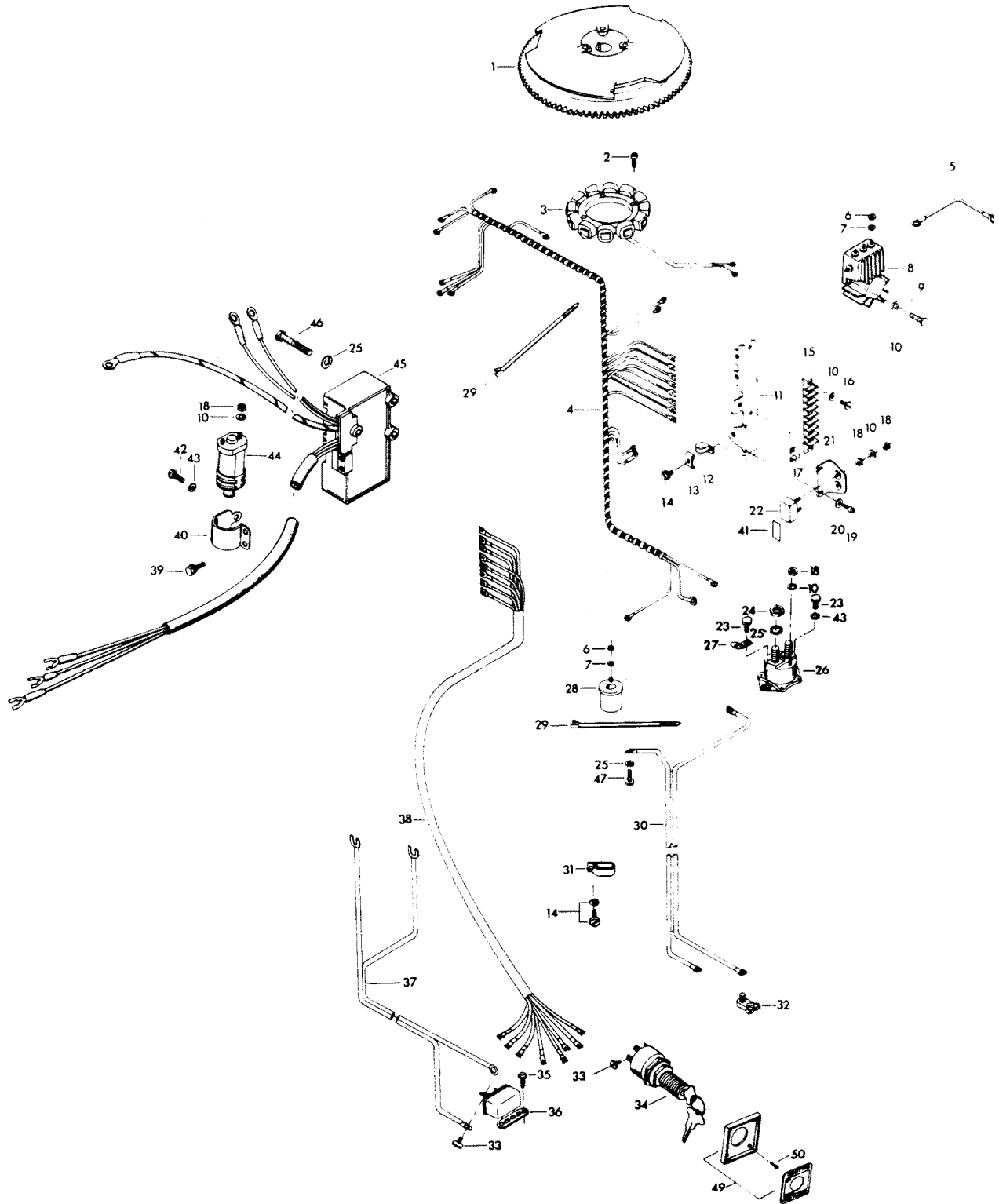
ENGINE COVER AND SUPPORT PLATE



ENGINE COVER AND SUPPORT PLATE

REF. NO.	PART NO.	SYM.	QTY.	DESCRIPTION
44	F1730		4	PAN HD SCREW W/SPRING LOCKWASHER, 1/4 - 20 X 5/8
-	F438984-1		1	BLANKET, SILENCER TOP (NOT SHOWN)
-	F480985		2	BLANKET, SILENCER SIDE (NOT SHOWN)
45	F481434		2	GUIDE, ENGINE COVER
46	F2088		2	FASTENER
47	F1849		2	HEX HD CAP SCREW, 1/4 - 20 X 1 3/8
4	FA480528		1	INSERT, REAR PLATE
10	FA480385		2	INSERT, SIDE PLATE
4	FA481528		1	INSERT, REAR PLATE
10	FA481385		2	INSERT, SIDE PLATE

ELECTRICAL COMPONENTS

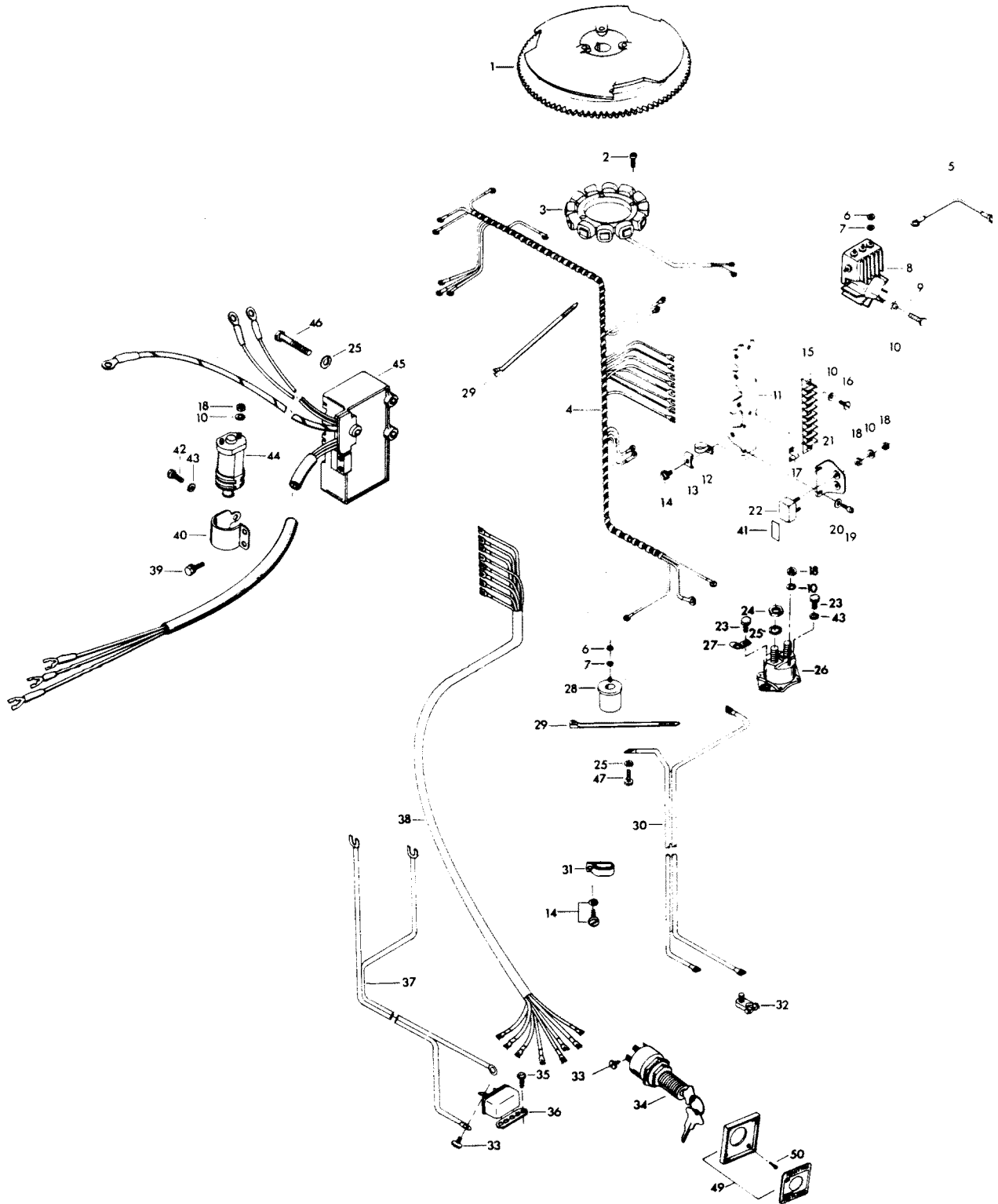


ELECTRICAL COMPONENTS

REF. NO.	PART NO.	SYM.	QTY.	DESCRIPTION
1	F404097		1	FLYWHEEL
2	F1678		6	FILL HD SCREW, 10 - 24 X 13/16
3	F85095-2		1	STATOR
4	F438744-1		1	WIRING HARNESS
5	F345683		1	WIRE, REGULATOR-RECTIFIER GROUND
6	F1647		5	HEX NUT, 8 - 32
7	F8056		5	SPRING LOCKWASHER
8	F404470-1		1	REGULATOR-RECTIFIER
9	F2001		3	FILL HD SCREW, 10 - 24 X 5/8
10	F1975		11	SPRING LOCKWASHER
11	FA438493		1	TERMINAL BLOCK BRACKET
12	F289446-1		1	CLAMP
13	F438668		1	RETAINER, CABLE CLAMP
14	F1734		2	FILL HD SCREW W/LOCKWASHER, 1/4 - 20 X 1/2
15	FA510497		1	TERMINAL BLOCK
16	F1648		2	PAN HD SCREW, 10 - 24 X 3/4
17	F307317		1	CLIP, TERMINAL BLOCK
18	F1513		8	HEX NUT
19	F1760		2	PAN HD SCREW, 10 - 24 X 3/8
20	F8011		2	PLAIN WASHER
21	F91446-1		1	CIRCUIT BREAKER BRACKET
22	F510460		1	CIRCUIT BREAKER
23	F1705		2	HEX CAP SCREW, 1/4 - 20 X 3/4
24	F1615		2	HEX NUT
25	F8096		6	SPRING LOCKWASHER
26	F460917		1	STARTER RELAY
27	F404446		1	CLAMP
28	F85924		1	CHOKE SOLENOID
29	F1877		2	TY-RAP
30	F381896-4		1	BATTERY CABLE
31	F407446		1	CLAMP
32	F71H26		1	BATTERY CABLE CLAMP KIT, (ACCESSORY ITEM)
33	F1280		5	PAN HD SCREW, 8 - 32 X 1/4
34	F74H20		1	IGNITION SWITCH (LONG BARREL) W/KEYS AND SCREWS (ACCESSORY ITEM)
35	F1741		2	PAN HD SCREW, 8 X 3/4
36	F71H30		1	OVERHEAT BUZZER (ACCESSORY ITEM)
37	F404841		1	CABLE, HEAT INDICATOR
38	F85843-1		1	REMOTE ELECTRIC CABLE, 18 FEET
39	F1851		2	FILL HD SCREW W/LOCKWASHER, 10 - 24 X 1/2
40	F404513		1	COIL CLAMP
41	F510374		1	DECAL, CIRCUIT BREAKER
42	F1689		1	HEX HD CAP SCREW, 1/4 - 20 X 1/2

CONTINUED ON NEXT PAGE ➡

ELECTRICAL COMPONENTS



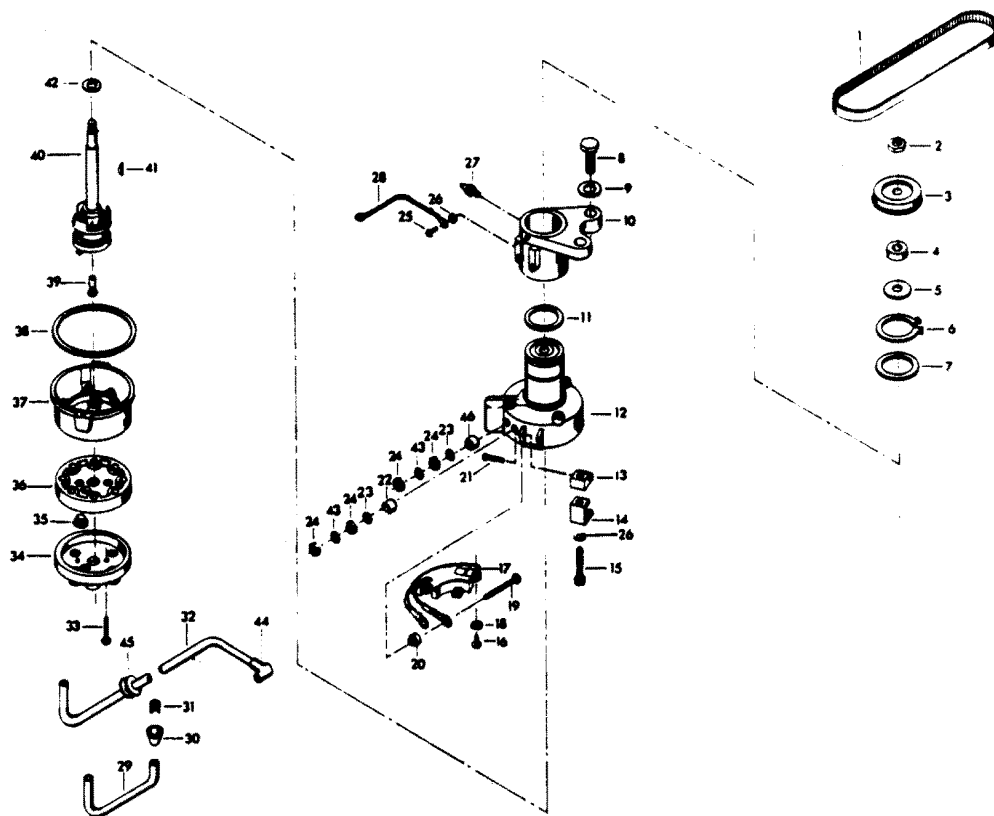
ELECTRICAL COMPONENTS

REF. NO.	PART NO.	SYM.	QTY.	DESCRIPTION
43	F8083		1	SPRING LOCKWASHER
44	F345475-1		1	COIL
45	300-817855A1		1	UNIT (ORIGINAL FORCE P/N A 523301-1)(Does not include Coil & Clamp)
46	F2027		3	HEX CAP SCREW, 5/16 - 18 X 3
47	F2000		1	HEX CAP SCREW, 5/16 - 18 X 3/4
49	F71H21		1	IGNITION SWITCH MOUNTING KIT (ACCESSORY ITEM)
50	F1934		4	FLAT HD SLOTTED SCREW, 6 X 1/2
-	480373		1	DECAL, MAGNAPOWER IGNITION (NOT SHOWN)
-	F474387		1	TIMING DECAL (NOT SHOWN)

STARTER

REF. NO.	PART NO.	SYM.	QTY.	DESCRIPTION
1	F15111		1	NUT, STOP RETAINING
2	F15112		1	STOP, PINION
3	F15080		1	SPRING
4	F15110		1	CLUTCH ASSEMBLY
5	F15021-1		1	HEAD ASSEMBLY DRIVE END
6	F1514		2	HEX NUT, 1/4 - 20
7	F8028		2	PLAIN WASHER
8	F15073		1	THRUST WASHER PACKAGE
9	F15099		1	ARMATURE
10	F15101		1	FRAME AND FIELD ASSEMBLY
11	F15042		1	BRUSH TERMINAL SET
12	FA15072		1	HEX LOCK NUT, 1/4 - 20
13	F15035		1	THRU BOLT PACKAGE
14	F8060		2	LOCKWASHER
15	F1502		1	HEX HD SCREW, 1/4 - 20 X 5/8
16	F1868		1	HEX CAP SCREW, 3/8 - 16 X 3 1/4
17	F373675-1		1	STARTER BRACKET, LOWER
18	15037		1	HEAD ASSEMBLY, COMMUTATOR END
19	F15034		1	SPRING SET
20	F15038-1		1	BRUSH PLATE AND HOLDER
21	F85908		1	STARTER LEAD WIRE
22	F404446		1	CLAMP
23	F15100		1	BENDIX
-	FS438955		1	STARTER COMPLETE

DISTRIBUTOR

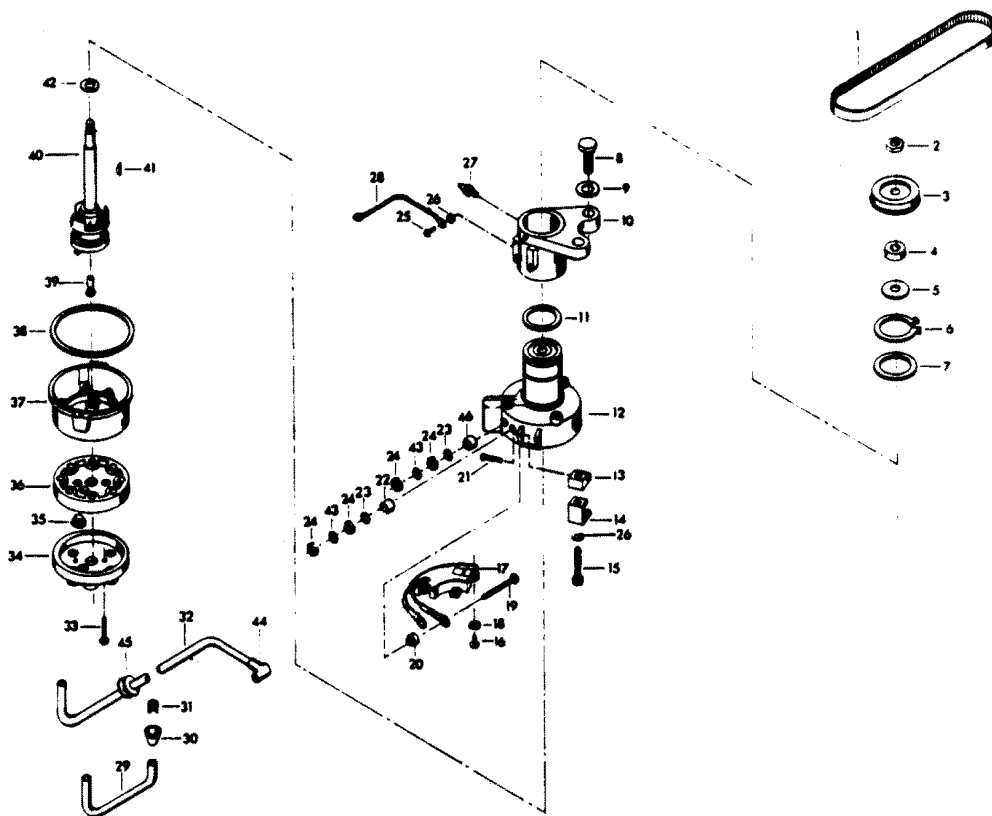


DISTRIBUTOR

REF. NO.	PART NO.	SYM.	QTY.	DESCRIPTION
1	F85311		1	DISTRIBUTOR BELT
2	F7013		1	STOP NUT
3	817786A1		1	DISTRIBUTOR PULLEY
4	F14025		1	SPACER
5	F14028		1	THRUST WASHER
6	F85173		1	RETAINING RING
7	F14029		1	THRUST WASHER
8	F1612		2	HEX CAP SCREW, 3/8 - 16 X 1 1/4
9	F2014		2	PLAIN WASHER
10	FA321574		1	DISTRIBUTOR BRACKET
11	F1759		2	SHIM, DISTRIBUTOR (QTY. AS REQUIRED)
12	F14042		1	DISTRIBUTOR HOUSING W/BEARINGS
13	F14036		2	SWIVEL
14	F14037		2	CAP CLIPS
15	F14038		2	CAP CLIP SCREWS
16	F14045		2	SCREW
17	F14048		1	PREAMPLIFIER
18	F8056		2	LOCKWASHER
19	F14046		2	TERMINAL SCREW
20	F14047		2	TERMINAL INSULATOR (INSIDE)
21	F14015		2	CAP CLIP RIVET
22	F14049		1	TERMINAL INSULATOR (OUTSIDE)
23	F14041		2	EXTERNAL TOOTH LOCKWASHER
24	F1647		4	HEX NUT, 8 - 32
25	F1760		2	PAN HD SCREW, 10 - 24 X 3/8
26	F1975		4	SPRING LOCKWASHER
27	F213274		1	GREASE FITTING
28	F85664		1	DISTRIBUTOR GROUND
29	84-817775A1		1	COIL WIRE W/TERMINAL CLIP
30	F203276		1	BOOT
31	F203673		1	TERMINAL CLIP
32	F321841-2		3	LEAD WIRE W/GROMMET
33	F14007		2	CAP SCREW
34	F14011-1		1	CAP COVER
35	F14040		2	VENT
36	F14020-1		1	CAP SEAL
37	F14006-2		1	CAP BASE
38	F14030		1	CAP GASKET
39	F14012-1		1	BRUSH
40	F14043		1	DISTRIBUTOR SHAFT
41	F1692		1	WOODRUFF KEY
42	F14024		1	SPACER
43	F8056		2	LOCKWASHER

CONTINUED ON NEXT PAGE ➡

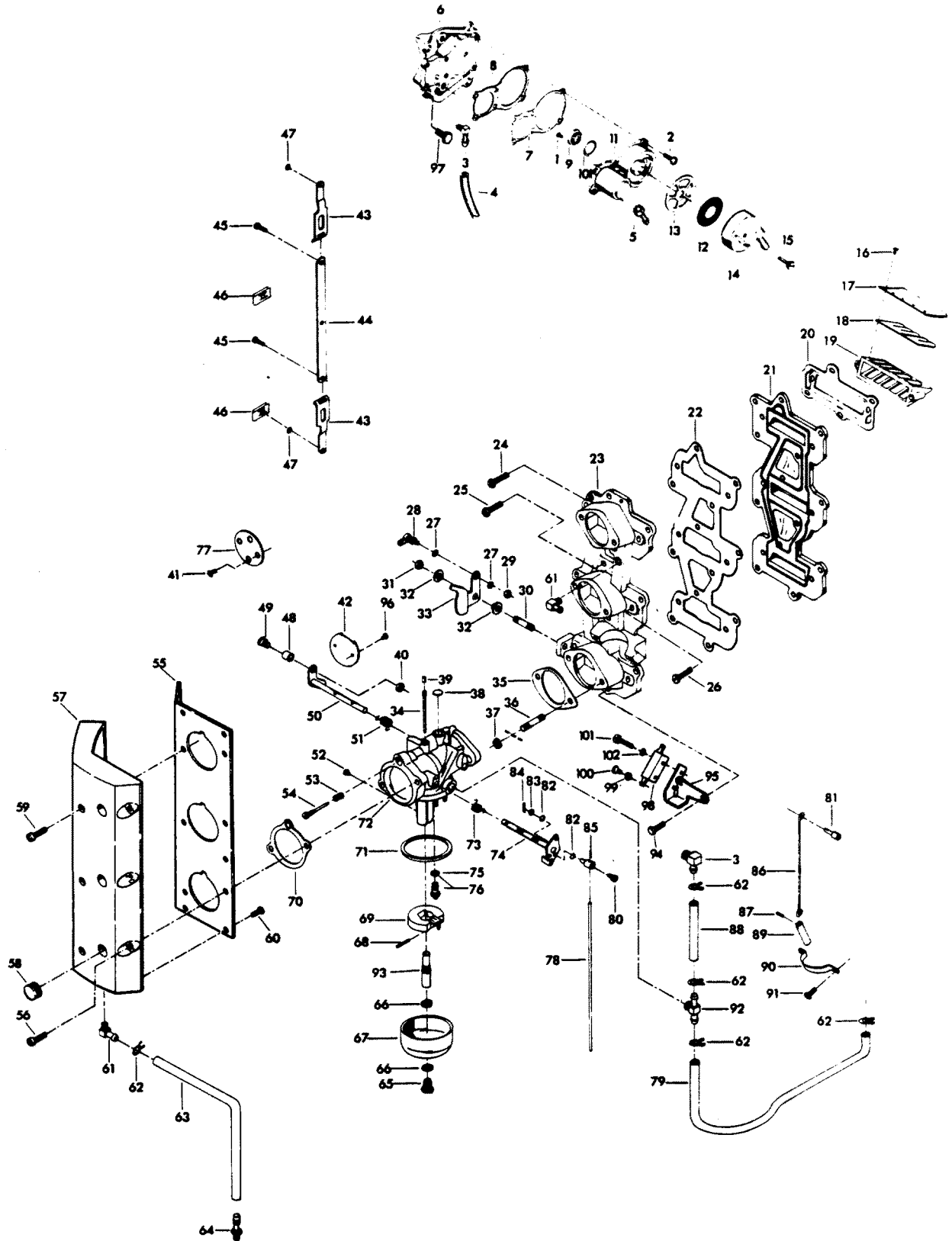
DISTRIBUTOR



DISTRIBUTOR

REF. NO.	PART NO.	SYM.	QTY.	DESCRIPTION
44	FK750-1		3	SPARKIE W/SPRING
45	F84991-1		3	GROMMET
46	F14017		1	TERMINAL INSULATOR (OUTSIDE)
-	FA480309		1	DISTRIBUTOR
-	481373		1	DECAL, "ELECTRONIC" (NOT SHOWN)

CARBURETOR

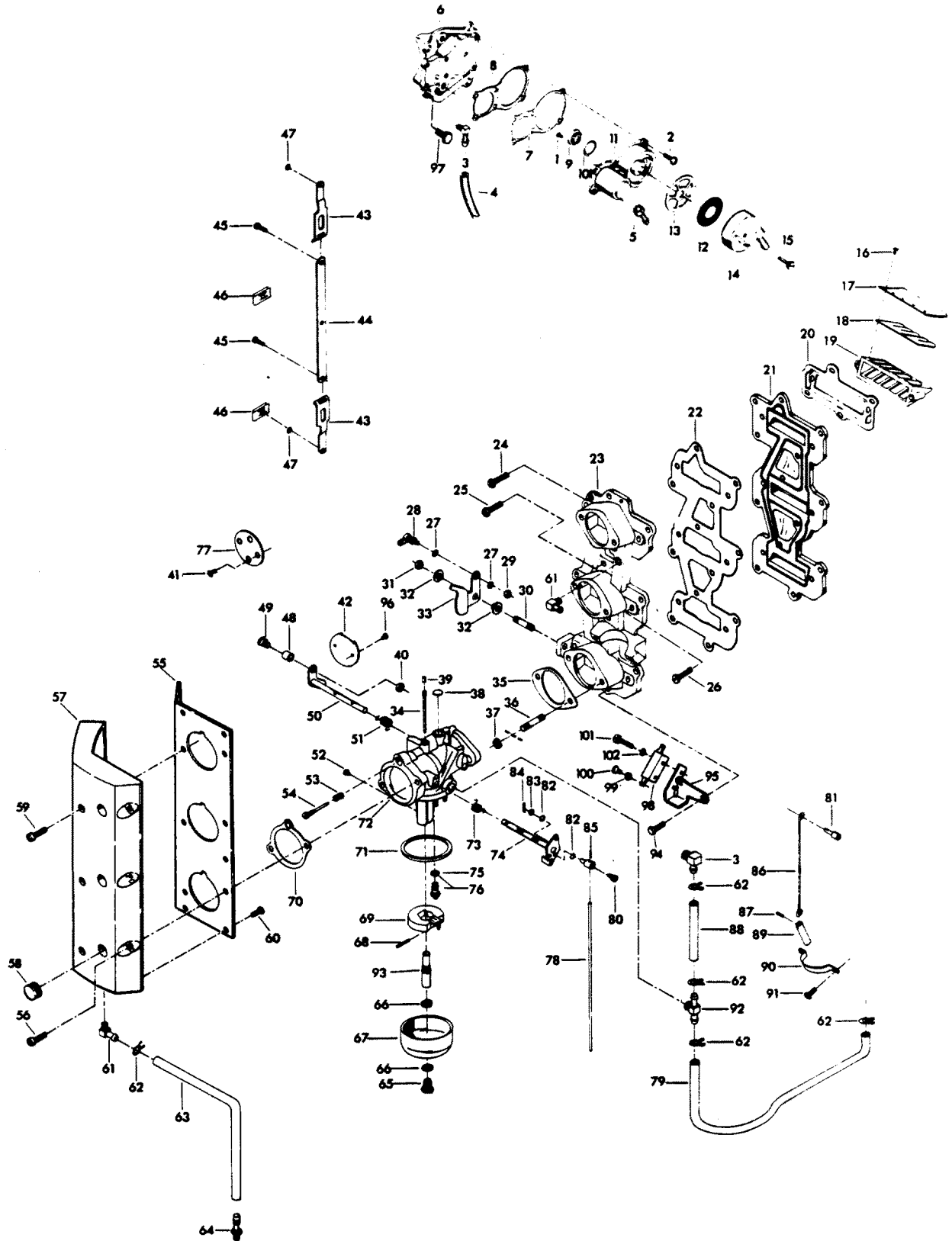


CARBURETOR

REF. NO.	PART NO.	SYM.	QTY.	DESCRIPTION
1	F1860		2	SLOTTED BINDING HD SCREW, 6 - 32 X 1/4
2	F1108		6	FILL HD SCREW W/LOCKWASHER, 1/4 - 20 X 3/4
3	F84314-2		2	ELBOW
4	F89758		1	FUEL PUMP AIR HOSE, TOP
5	F438801		1	FITTING
6	FA439746		1	FUEL PUMP COVER
7	F438747		1	FUEL PUMP DIAPHRAGM
8	F438760		1	FUEL PUMP GASKET
9	F177330		3	FUEL PUMP VALVE
10	F84792		1	GASKET, FUEL PUMP VALVE
11	FA438431		1	FUEL PUMP BODY W/VALVES
12	F438653		1	FUEL SEDIMENT BOWL SCREEN
13	F438617		1	FUEL SEDIMENT BOWL GASKET
14	F438500		1	FUEL SEDIMENT BOWL
15	F438165		1	SCREW, FUEL PUMP BOWL
16	F1298		30	RD HD SCREW W/LOCKWASHER, 6 - 32 X 1/4
17	F85161-1		6	REED STOP
18	F316160		6	REED (4 PETAL)
-	F316164		6	REED (1 PETAL)
19	F2A321158		3	REED PLATE W/REEDS, REED STOP AND SCREW
20	F85168		3	GASKET REED PLATE ADAPTER
21	F85162		1	REED PLATE ADAPTER
22	F85159		1	GASKET, INTAKE MANIFOLD
23	817959A3		1	INTAKE MANIFOLD
24	F2008		8	HEX HD SCREW, 1/4 - 20 X 7/8
25	F1916		2	HEX HD SCREW, 1/4 - 20 X 1 1/8
26	F1773		6	HEX HD SCREW, 1/4 - 20 X 1 1/2
27	F8058		2	INTERNAL TOOTH LOCKWASHER
28	817747--1		1	BALL JOINT W/STUD
29	F1513		1	HEX NUT, 10 - 32
30	F433209-1		1	STUD
31	F1910		1	STOP NUT, 1/4 - 20
32	F269319		2	BEARING
33	F85192-1		1	THROTTLE CAM
34	FO13966		1	IDLE TUBE, FOR 75 H.P. ENGINE CARBURETORS ONLY
35	F85906		3	CARBURETOR GASKET
36	F40209		6	CARBURETOR STUD
37	F1515		6	HEX NUT, 5/16 - 18
38	FO4326		1	BODY CHANNEL WELCH PLUG
39	FO10588		1	BODY CHANNEL CUP PLUG
40	F1997		1	STOP NUT, 8 - 32
41	FO8942		2	SHUTTER SCREW W/LOCKWASHER
43	FA85193		2	TIE BAR END W/SWIVEL

CONTINUED ON NEXT PAGE ➡

CARBURETOR

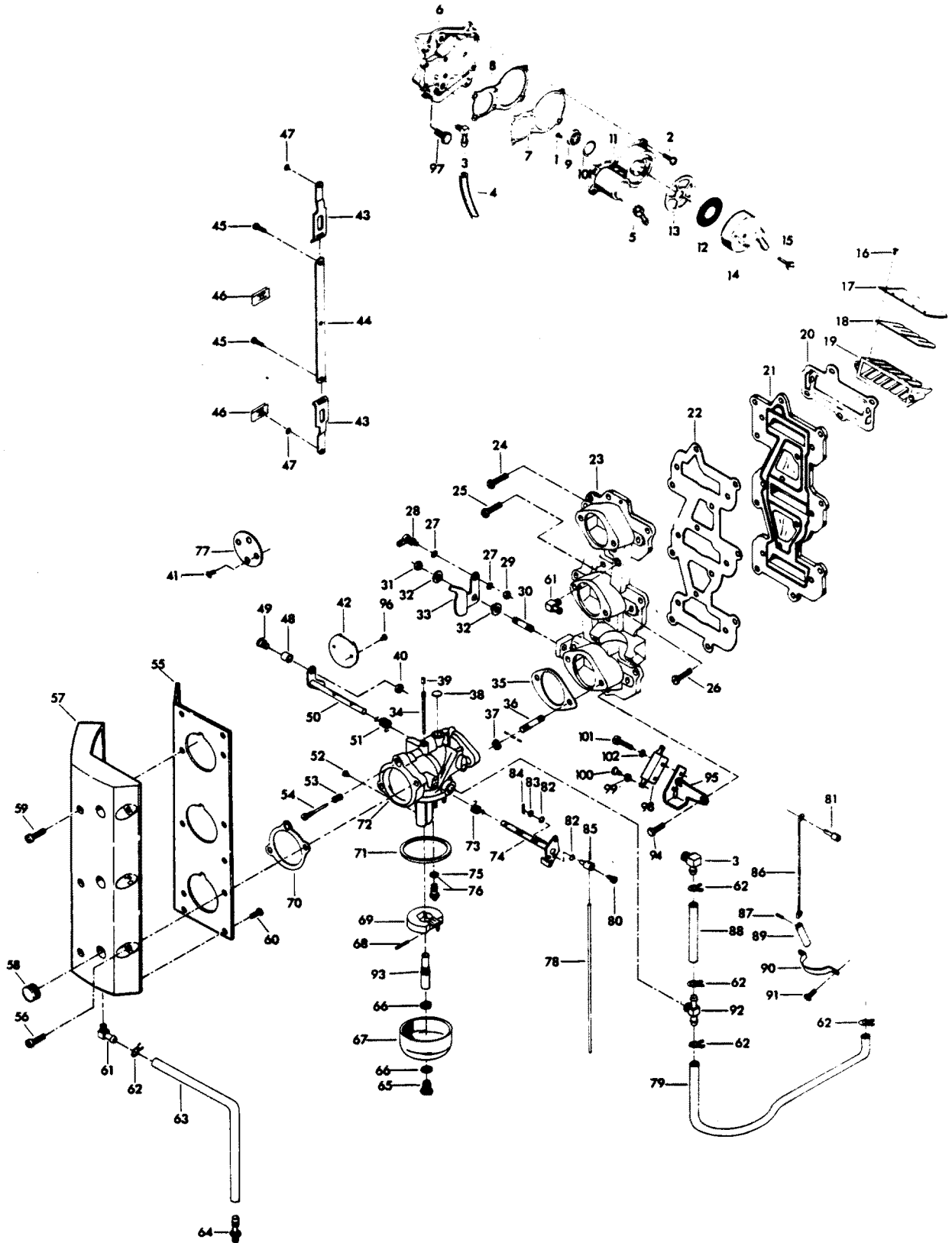


CARBURETOR

REF. NO.	PART NO.	SYM.	QTY.	DESCRIPTION
44	FA85511		1	THROTTLE TIE BAR W/SWIVEL
45	F1064		2	FILL HD SCREW, S.S., 8 - 32 X 3/8
46	F1693		2	TIE BAR RETAINER
47	F90807		3	RETAINING RING
48	F92759		1	THROTTLE ROLLER
49	F333316		1	THROTTLE ROLLER SHAFT
50	FO15230		1	THROTTLE SHAFT AND LEVER
51	FO16008		1	THROTTLE SHAFT RETURN SPRING
53	FO11103		1	IDLE SCREW SPRING
55	F481567		1	CARBURETOR INTAKE ADAPTER
56	F1504		3	FILL HD SCREW, 1/4 - 20 X 1 1/4
57	F481860-1		1	CARBURETOR, INTAKE
58	F53504		3	GROMMET
59	F1072		3	FILL HD SCREW, 1/4 - 20 X 1 3/4
60	F1760		6	PAN HD SCREW, 10 - 24 X 3/8
61	22-818103--1		2	ELBOW
62	F97772		6	HOSE CLAMP
63	F63754		1	HOSE INTAKE DRAIN
64	22-817789A1		1	DRAIN FITTING
65	FO13945		1	FUEL BOWL RETAINING SCREW
66	FO2510		2	GASKET, FUEL BOWL RETAINING SCREW
67	FO13552		1	FUEL BOWL
68	FO13944		1	FLOAT LEVER PIN
69	FO13554		1	FLOAT
70	F481836		3	INTAKE GASKET
71	FO15623		1	FUEL BOWL GASKET
74	FO16850		1	CHOKE SHAFT AND LEVER
75	FO10165		1	INLET SEAT GASKET
76	FO10790		1	INLET NEEDLE, SEAT AND GASKET
78	F85509-1		1	CHOKE LINK
79	F438754		1	FUEL LINE W/CLAMPS
80	F1059		3	FILL HD SCREW, S.S., 6 - 32 X 1/4
81	F85033		1	CHOKE ROD SWIVEL
82	F184579		6	SEAL, CHOKE ARM SWIVEL
83	F8088		3	PLAIN WASHER
84	F1014		3	COTTER PIN
85	F184033-1		2	CHOKE ARM SWIVEL
86	F85925		1	CHOKE ROD
87	F2033		1	GROOVE PIN
88	F85253-1		2	FUEL LINE W/CLAMPS
89	F391926-1		1	CHOKE SOLENOID PLUNGER
90	F85317-1		1	CLAMP
91	F1236		2	HEX HD SCREW, 1/4 - 20 X 1/2

CONTINUED ON NEXT PAGE ➡

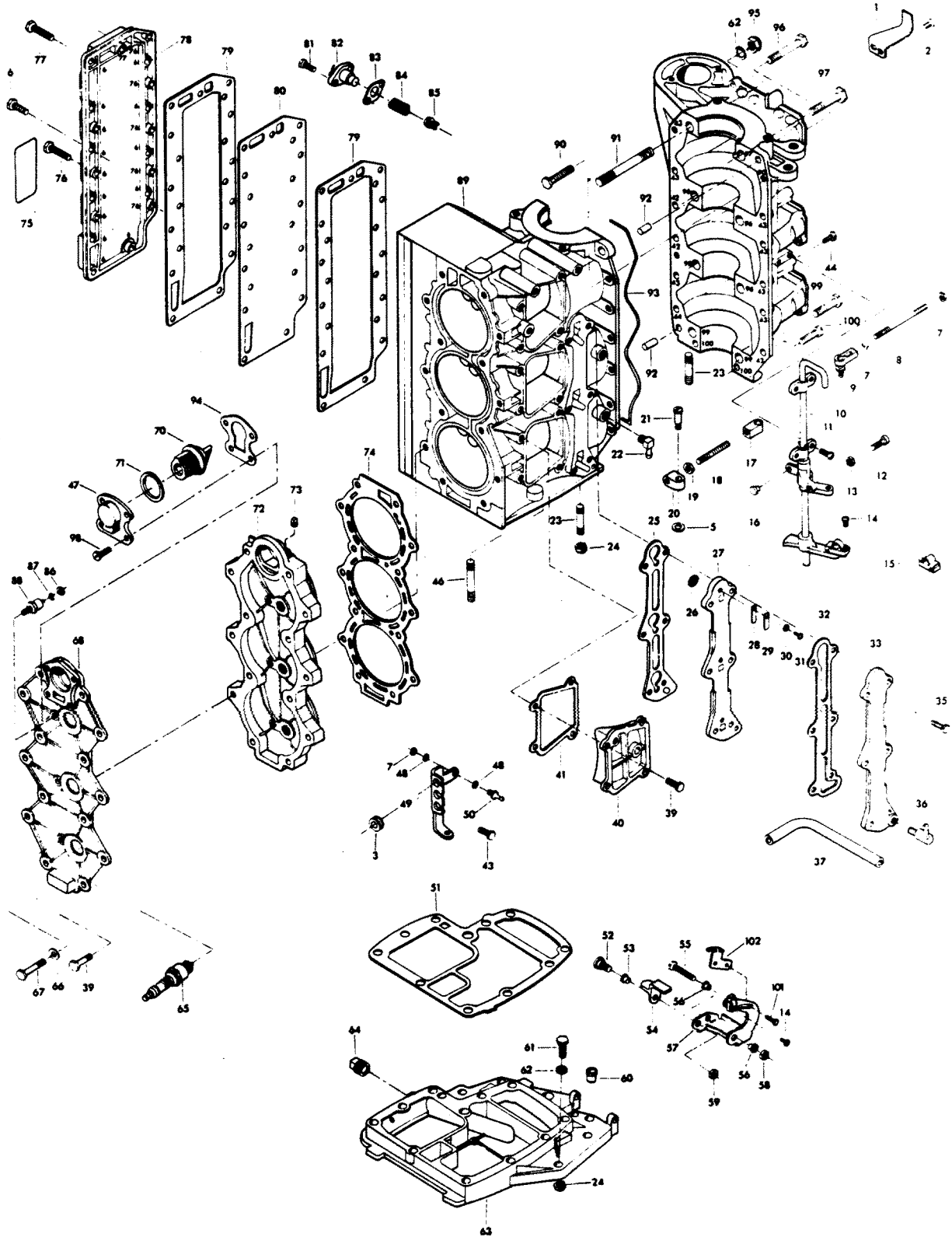
CARBURETOR



CARBURETOR

REF. NO.	PART NO.	SYM.	QTY.	DESCRIPTION
92	F85314-1		2	FUEL FITTING
94	F1953		2	HEX HD SCREW, 1/4 - 20 X 1
95	F480551-1		1	BRACKET INTERLOCK SWITCH
96	FO8942		2	THROTTLE SHUTTER SCREW AND LOCKWASHER
97	F1502		4	HEX CAP SCREW, 1/4 - 20 X 5/8
98	F84449		1	INTERLOCK SWITCH
99	F1704		2	INTERNAL TOOTH LOCKWASHER
100	F1645		2	RD HD SCREW, 6 - 32 X 1/4
101	F2016		2	FILL HD SCREW, 6 - 32 X 7/8
102	F8088		2	PLAIN WASHER
-	F10000		1	GASKET SET (NOT SHOWN)
42	FO14167		1	THROTTLE SHUTTER
52	FO14188		1	MAIN FUEL JET (.066)
54	FO14166		1	IDLE SCREW
72	F498061-1		1	CARBURETOR COMPLETE (WB26B)
73	FO16397		1	CHOKE SHAFT RETURN SPRING
77	FO14471		1	CHOKE SHUTTER
93	FO15209		1	MAIN NOZZLE
-	F10026		1	REPAIR PARTS KIT
42	FO16851		1	THROTTLE SHUTTER
52	FO14303		1	MAIN FUEL JET (.074)
54	FO13946		1	IDLE SCREW
72	F481061-1		1	CARBURETOR COMPLETE (WB21B)
73	FO13947		1	CHOKE SHAFT RETURN SPRING
77	FO13555		1	CHOKE SHUTTER
93	FO15217		1	MAIN NOZZLE
-	F10053		1	REPAIR PARTS KIT

POWER HEAD

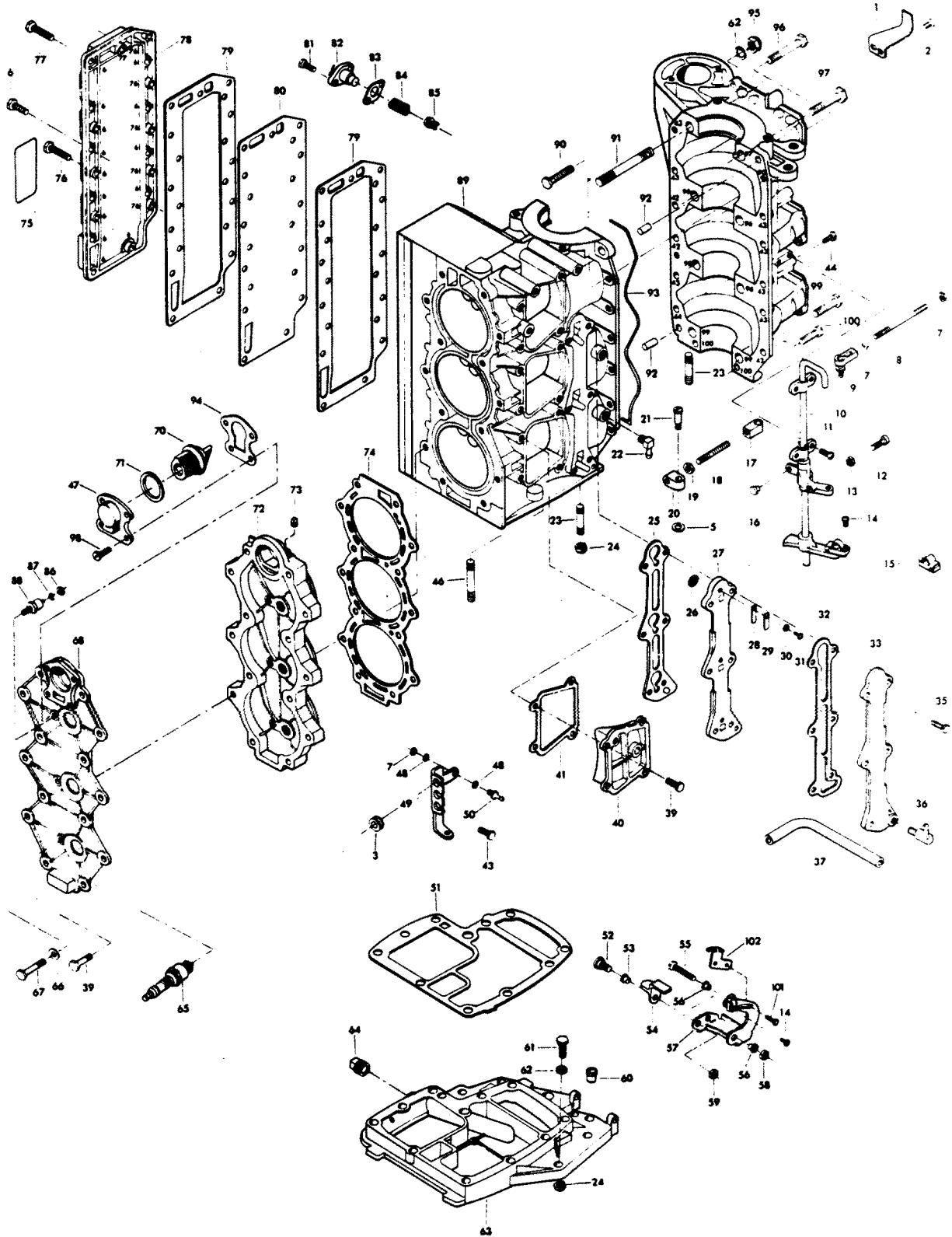


POWER HEAD

REF. NO.	PART NO.	SYM.	QTY.	DESCRIPTION
1	FA480894		1	TIMING POINTER
2	F1760		2	PAN HD SCREW, 10 - 24 X 3/8
3	F84991-1		3	GROMMET
5	F2042		1	PLAIN WASHER
6	F1203		14	HEX BOLT, 1/4 - 20 X 7/8
7	F1513		4	HEX NUT, 10 - 32
8	F85502		1	THROTTLE LINK
9	817747--1		1	BALL JOINT W/STUD
10	FA85838-5		1	TOWERSHAFT W/BEARINGS, SWIVEL, ARMS AND SCREW
11	F1475		4	FILL HD SCREW, 10 - 24 X 1/2
12	F1504		1	FILL HD SCREW, 1/4 - 20 X 1 1/4
13	F1341		1	HEX NUT, 1/4 - 20
14	F1556		2	FILL HD SCREW W/LOCKWASHER, 10 - 24 X 3/8
15	FK405020		2	SWIVEL W/PIVOT SCREW AND NUT
16	F1727		1	PLASTIC RIVET
17	F85036		1	TOWERSHAFT CONTROL ROD END
18	F85445		1	DISTRIBUTOR CONTROL ROD
19	F2015		1	HEX NUT, 1/4 - 28
20	F85035		1	DISTRIBUTOR CONTROL ROD END
21	F85026		1	SWIVEL
22	F84314-2		1	ELBOW
23	F85859		4	STUD, FORWARD
24	F7004		10	STOP NUT, 3/18 - 16
25	F85748-2		1	GASKET, CYLINDER DRAIN REED PLATE
26	F93811		3	SCREEN
27	F2A404757		1	CYLNR DRN REED PLATE W/REEDS,STOPS, METERING CUP & SCREWS
28	F18160-1		3	REED
29	F93920		3	REED STOP
30	F8003		3	PLAIN WASHER
31	F1286		3	PAN HD SCREW, 4 - 40 X 3/16
32	F85472-2		1	GASKET, CYLINDER DRAIN COVER
33	817787A1		1	CYLINDER DRAIN COVER
35	F1187		6	HEX HD SCREW, 1/4 - 20 X 1
36	F404801		1	FITTING
37	F433253		1	HOSE
39	F1502		8	HEX HD SCREW, 1/4 - 20 X 5/8
40	FA411222		2	TRANSFER PORT COVER W/PLUG
41	F40223		3	GASKET, TRANSFER PORT COVER
42	F1999		2	HEX CAP SCREW, 1/4 - 20 X 7/8
43	F1238		10	HEX HD SCREW, 1/4 - 20 X 3/4
44	F1199		1	HEX CAP SCREW, 1/4 - 20 X 1
46	F85211		6	STUD, REAR

CONTINUED ON NEXT PAGE ➡

POWER HEAD

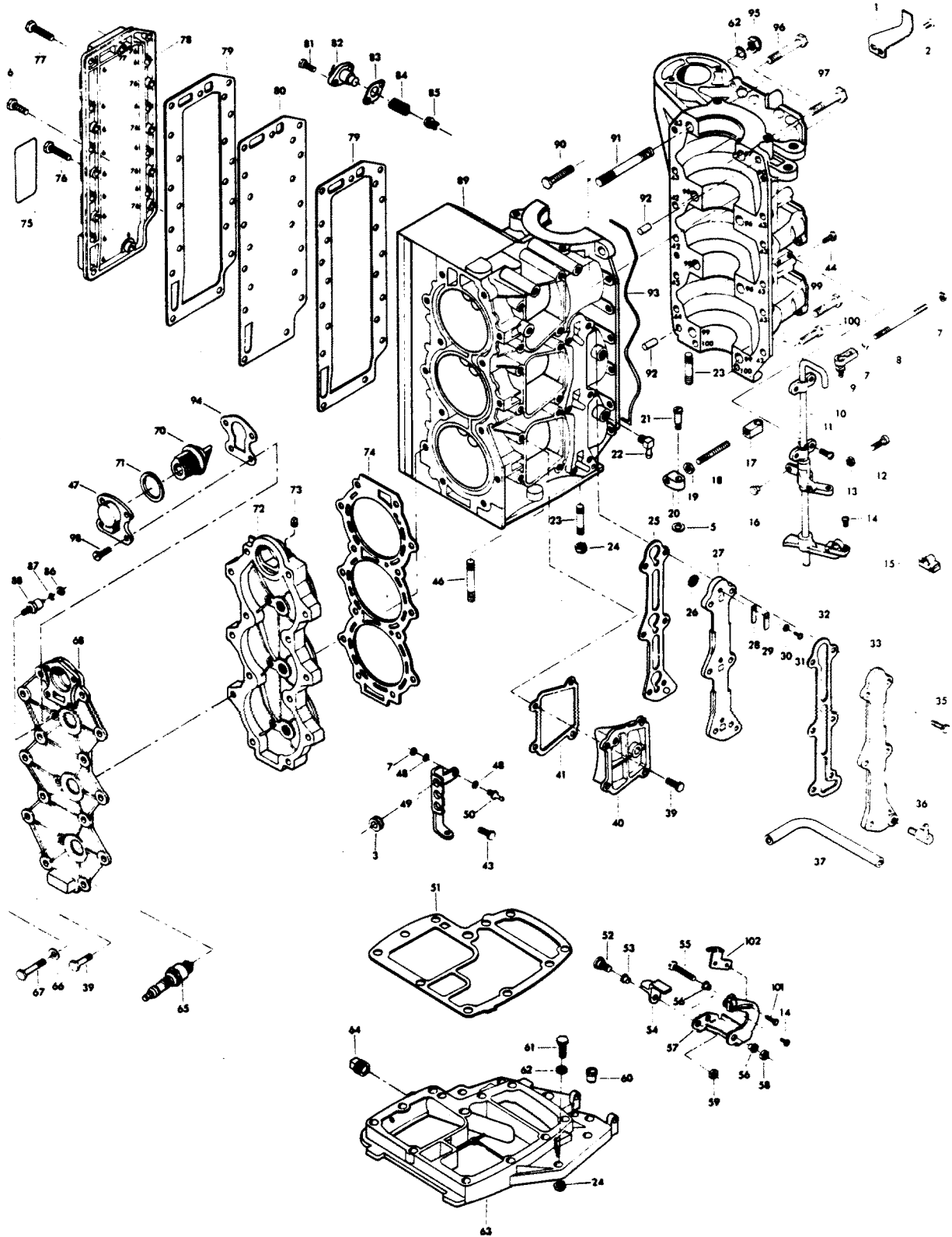


POWER HEAD

REF. NO.	PART NO.	SYM.	QTY.	DESCRIPTION
47	F476066-1		1	COVER, THERMOSTAT
48	F8058		4	INTERNAL TOOTH LOCKWASHER
49	F321872		1	BRACKET
50	F98273		2	ROD END CONNECTOR STUD
51	F85279-2		1	CYLINDER EXHAUST GASKET, UPPER
52	F369887		1	SHOULDER SCREW
53	F369610		1	BEARING
54	F369977-1		1	INTERLOCK ARM
55	F1885		1	HEX BOLT, 5/16 - 18 X 4 1/4
56	F85610		2	BEARING
57	FA480876		1	GEAR SHIFT ARM W/SWIVEL, INTERLOCK ARM AND BEARINGS
58	F2108		1	STOP NUT, 5/16 - 18
59	F1832		1	STOP NUT, 1/4 - 20
60	FA98689		1	BEARING, TOWERSHAFT
61	F1869		6	HEX BOLT, 3/8 - 16 X 1 1/4
62	F1703		7	SPRING LOCKWASHER
63	817788A3		1	SPACER PLATE W/PLUGS
64	F2090		1	PLUG
65	33-97180		3	SPARK PLUG (CHAMPION L-20-V)
66	F1987		14	PLAIN WASHER
67	F1883		14	HEX BOLT, 5/16 - 18 X 2 3/8
68	F499995		1	CYLINDER HEAD COVER
70	F335068		1	THERMOSTAT
71	F84504		1	GROMMET
72	F480518		1	CYLINDER HEAD
73	F19109		1	PLUG
74	F369529		1	CYLINDER HEAD GASKET
75	F438398		1	DECAL, WIRING
76	F1709		5	HEX HD SCREW, 1/4 - 20 X 1 1/8
77	F1849		1	HEX HD SCREW, 1/4 - 20 X 1 3/8
78	F85152-4		1	EXHAUST PORT COVER
79	F85154-1		2	GASKET, EXHAUST PORT PLATE
80	F85151-1		1	EXHAUST PORT PLATE
81	F1950		2	HEX HD SCREW, 10 - 24 X 5/8
82	F438066		1	BY-PASS VALVE COVER
83	F85762		1	GASKET, BY-PASS VALVE
84	F404268		1	SPRING, BY-PASS VALVE
85	F85916-1		1	BY-PASS VALVE
86	F1647		1	HEX NUT, 10 - 32
87	F8056		1	SPRING LOCKWASHER
88	F404449		1	THERMOSWITCH
90	F1864		1	HEX HD SCREW, 1/4 - 20 X 3/4

CONTINUED ON NEXT PAGE ➡

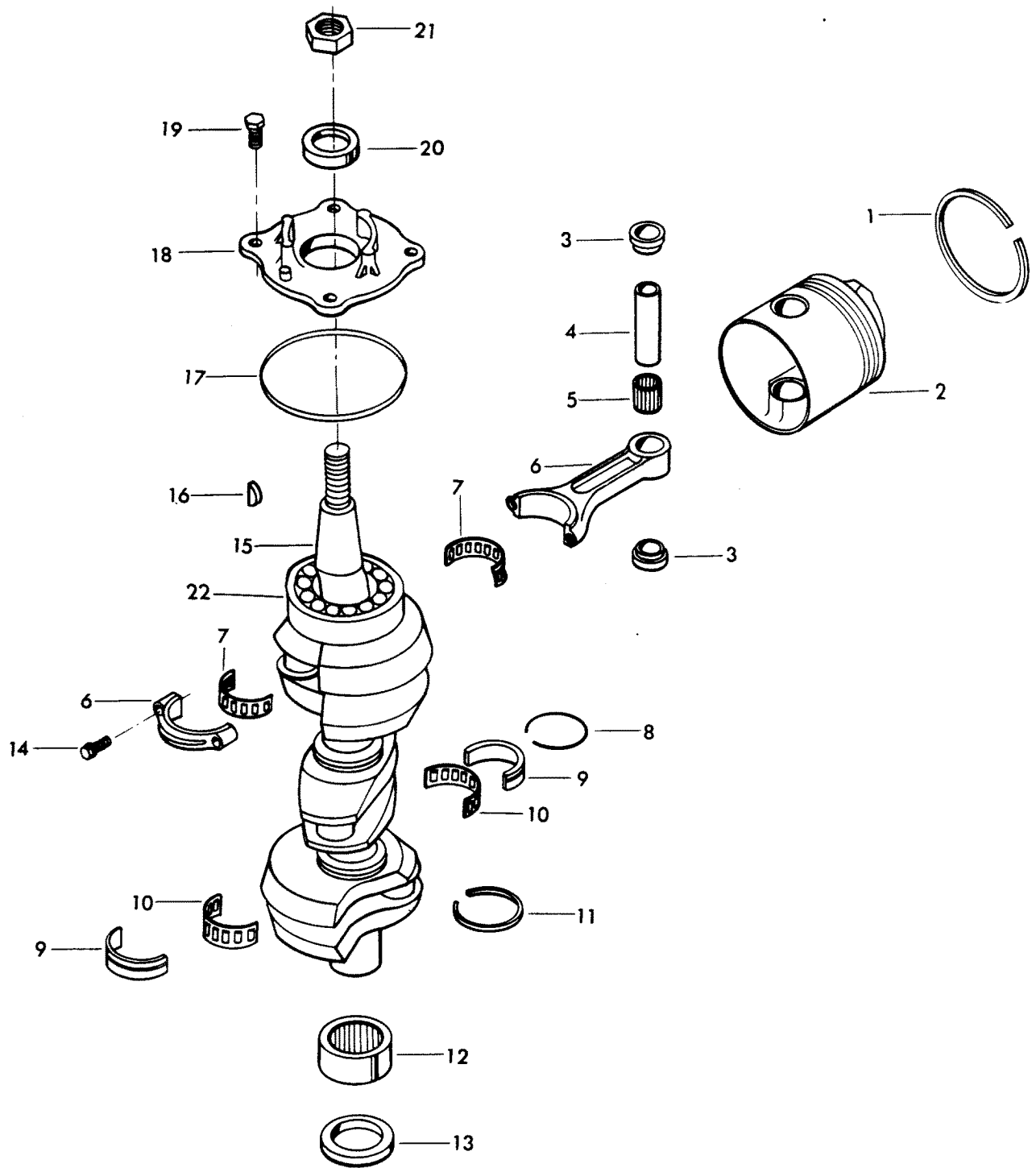
POWER HEAD



POWER HEAD

REF. NO.	PART NO.	SYM.	QTY.	DESCRIPTION
91	F85210		1	STUD
92	F8563		2	DOWEL PIN
93	F85122		1	PARTING LINE SEAL
94	F476067		1	GASKET, THERMOSTAT COVER
95	F1346		1	HEX NUT, 3/8 - 16
96	F1873		3	HEX BOLT, 3/8 - 16 X 3
97	F1009		1	HEX BOLT, 3/8 - 16 X 2 3/4
98	F1107		4	FILL HD SCREW, 1/4 - 20 X 3/4
99	F1872		2	HEX BOLT, 3/8 - 16 X 1 3/4
100	F1099		2	FILL HD SCREW, 1/4 - 20 X 1 1/4
101	F2089		2	SLOTTED PAN HD MACHINE SCREW, 10 - 24 X 5/16
102	F480107-1		1	CAM, STARTER INTERLOCK
-	FG460-1		1	GASKET SET (NOT SHOWN)
-	C523227		3	SPARK PLUG (CHAMPION QL-76V) FOR MODELS 756BC, 757BC, 906BC, 907BC
89	A438010-3		1	CYLINDER ASSEMBLY W/PARTING LINE SEAL AND LOWER MAIN BEARING ASSEMBLY
-	C438010-3		1	SHORT BLOCK INCLUDES ALL ITEMS MARKED WITH AN ASTERISK (*). ALSO REFER TO CRANKSHAFT PAGE.
	800-817823A7		1	CYLINDER ASSEMBLY W/PARTING LINE SEAL AND LOWER MAIN BEARING ASSEMBLY ORIGINAL FORCE P/N A481010-3
-	800-817901A9		1	SHORT BLOCK INCLUDES ALL ITEMS MARKED WITH AN ASTERISK (*). ALSO REFER TO CRANKSHAFT PAGE. ORIGINAL FORCE P/N C481010-3

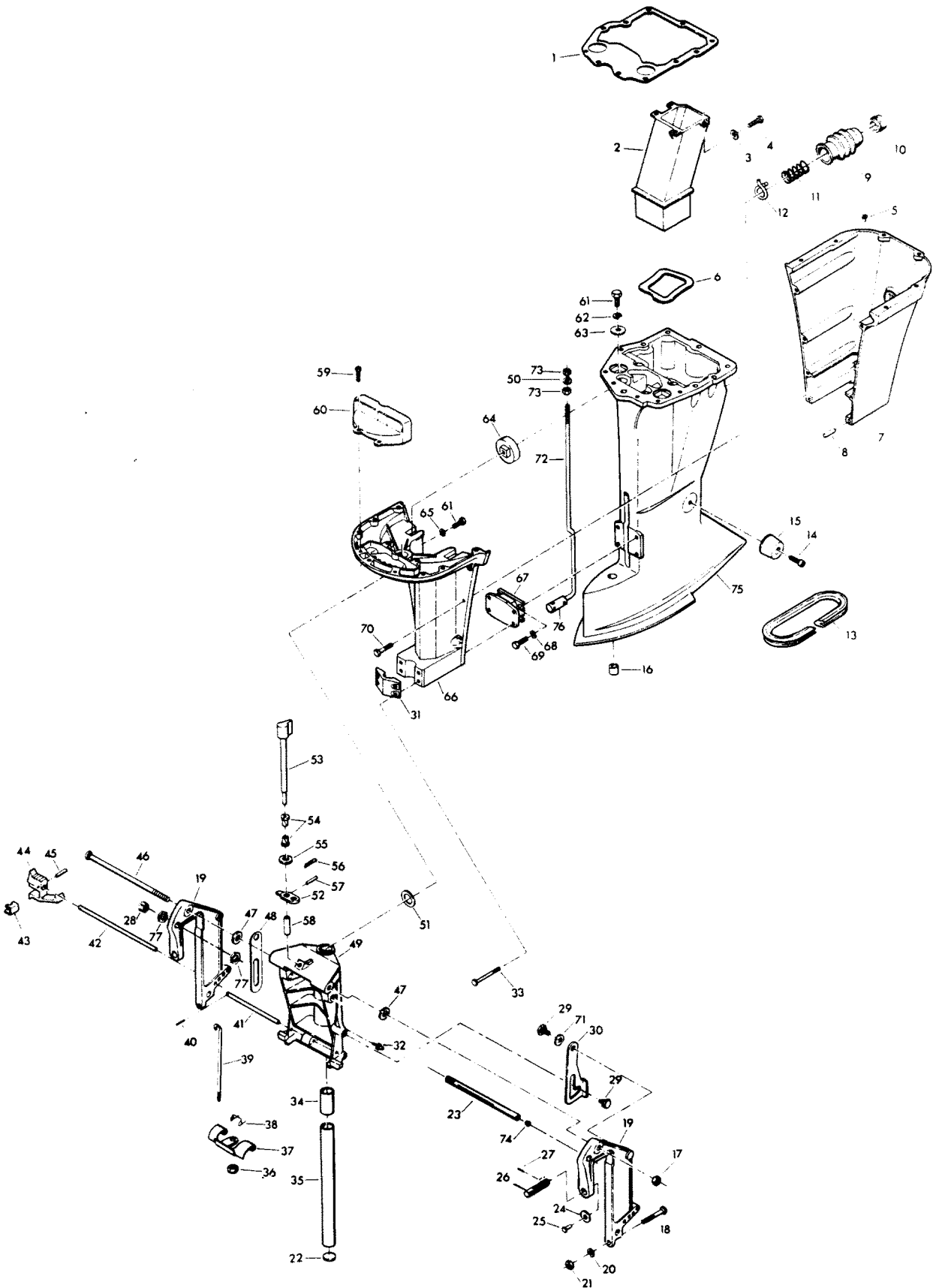
CRANKSHAFT AND PISTON GROUP



CRANKSHAFT AND PISTON GROUP

REF. NO.	PART NO.	SYM.	QTY.	DESCRIPTION
3	F335215		6	SPACER, PISTON PIN (2 PER PISTON)
4	F85017		3	PISTON PIN
5	F335217-1		3	BEARING PISTON PIN (26 PER SET)
6	600-818052A4		3	CONNECTING ROD W/CAP AND SCREWS
7	FK85228		3	BEARING CAGE W/ROLLER
8	F85410		2	SNAP RING
9	FA85655-1		2	CRANKSHAFT MAIN BEARING RACE W/SNAP RING
10	F85571		2	BEARING CAGE W/ROLLER
11	F316579		2	SEAL, CRANKCASE
12	31-FA523014		1	CRANKSHAFT LOWER MAIN BEARING W/SEAL
13	F84146-2		1	SEAL
14	F85634-1		6	CONNECTING ROD SCREW
15	FA85018-2		1	CRANKSHAFT W/BEARING
16	F85498		1	FLYWHEEL KEY
17	F84278		1	SEAL, CRANKSHAFT BEARING CAGE
18	31-817785A2		1	CRANKSHAFT BEARING CAGE W/SEAL
19	F1867		4	HEX CAP SCREW, 3/8 - 16 X 1
20	F84146-2		1	SEAL
21	F1968		1	FLYWHEEL NUT
22	30-F284659-2		1	CRANKSHAFT THRUST BEARING UPPER
-	F2067		1	PLASTISOL CAP (NOT SHOWN)
1	FA335260		3	PISTON RING SET (3 PER SET)
2	700-F372015-3		3	PISTON
-	FSA335260		3	PISTON RINGS (3 PER SET) .010 OVERSIZE (NOT SHOWN)
-	39-818110A1		3	PISTON RINGS (3 PER SET) .030 OVERSIZE (NOT SHOWN)
-	700-817988A2		3	PISTON .010 OVERSIZE (NOT SHOWN)
-	700-818111A2		3	PISTON .030 OVERSIZE (NOT SHOWN)
1	FA440260		2	PISTON RING SET (4 PER SET)
2	F440015-2		3	PISTON
-	FS440260		2	PISTON RINGS (4 PER SET) .010 OVERSIZE (NOT SHOWN)
-	39-818117A1		2	PISTON RING SET (4 PER SET) .030 OVERSIZE (NOT SHOWN)
-	700-817991A2		3	PISTON .010 OVERSIZE (NOT SHOWN)
-	700-818116A2		3	PISTON .030 OVERSIZE (NOT SHOWN)

MOTOR LEG

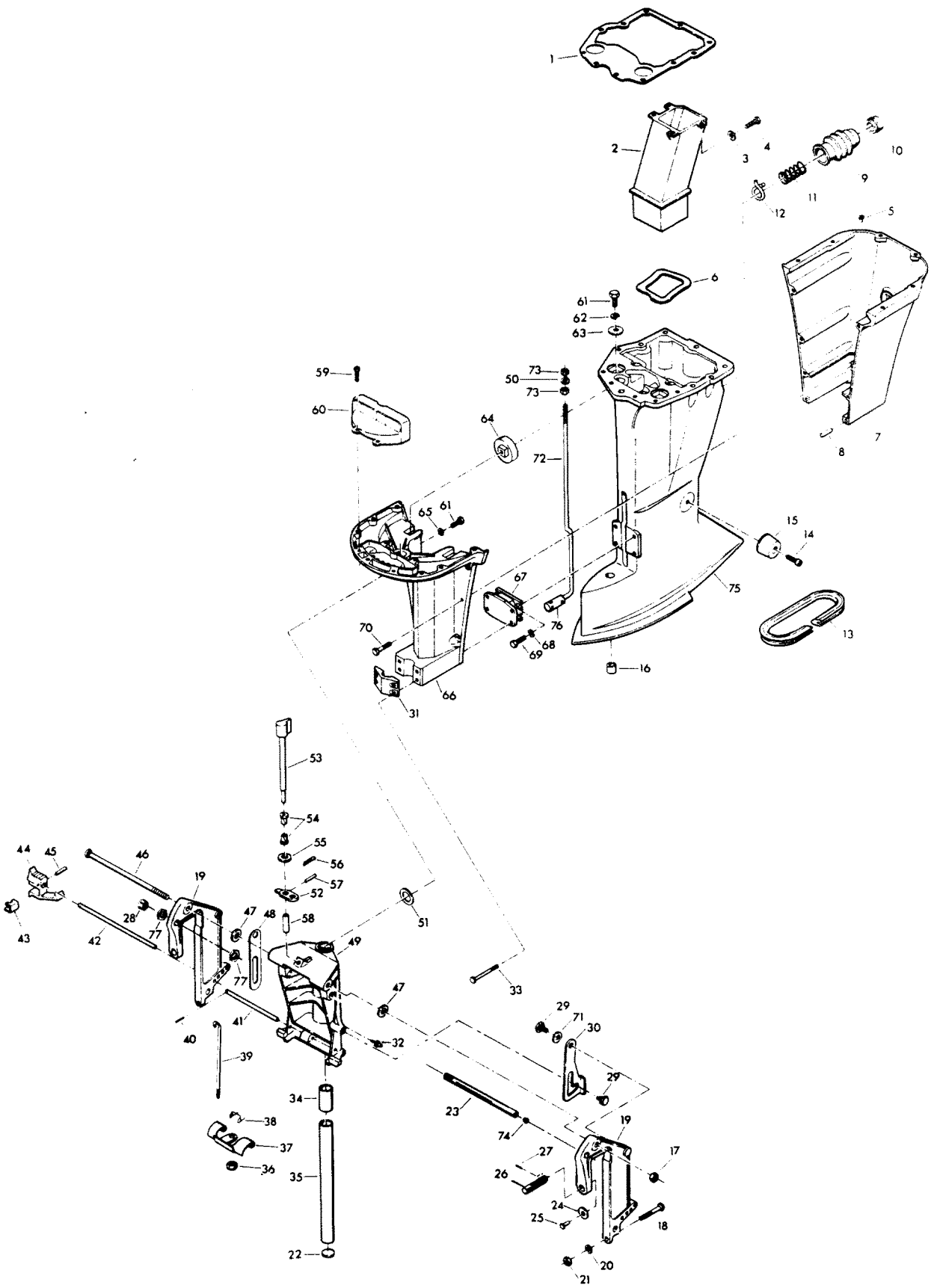


MOTOR LEG

REF. NO.	PART NO.	SYM.	QTY.	DESCRIPTION
1	F85453-1		1	GASKET, EXHAUST LOWER
2	F85660-1		1	EXHAUST TUBE
3	F8083		4	SPRING LOCKWASHER
4	F1864		4	HEX SLOT HD SCREW 1/4 - 20 X 3/4
5	F1729		2	PLUG
6	F439736		1	SEAL EXHAUST TUBE
8	F1664		2	SPRING PIN
9	F85130		1	BOOT, IDLE EXHAUST
10	F85258		1	INSERT
11	F85380		1	SPRING
12	F85772		1	CLAMP
13	F178323		1	SEAL, MOTOR LEG
14	F1263		2	HEX SOCKET HD CAP SCREW 5/16 - 18 X 9/16
15	F438962		2	SHOCK MOUNT SIDE
16	F338618-1		1	SEAL, GEAR SHIFT ROD
17	F7012		1	LOCK NUT, 1/2 - 20
18	F1593		2	HEX HD SCREW 3/8 - 16 X 3
19	1400-817958A6		2	STERN BRACKET
20	F1904		2	PLAIN WASHER
21	F1346		2	HEX NUT 3/8 - 16
22	F1528		1	WELCH PLUG
23	F511125-1		2	TUBE, STEERING SUPPORT
24	F84074		2	CLAMP SCREW FOOT
25	F353480		2	STUD
26	F474073		2	CLAMP SCREW
27	F8537		2	SPRING PIN
28	F9018		1	CAP
29	F85350-1		4	TILT STOP PIVOT
30	F85541-1		1	TILT LOCK
31	F85606		1	KINGPIN CAP
32	F213274		3	GREASE FITTING
33	F1696		4	HEX BOLT 5/16 - 18 X 1 3/4
34	F438169		2	BEARING
35	FA85019		1	KINGPIN W/PLUG
36	F1669		1	LOCK NUT
37	F369349		1	REVERSE LOCK
38	F85300		1	REVERSE LOCK SPRING
39	F369510		1	LINK
40	F8547		1	SPRING PIN
41	F177350		1	REVERSE LOCK PIN
42	FA438113		1	STERN BRACKET LOCK BAR W/HANDLE
43	F286461		1	SPRING, LOCK BAR HANDLE
44	F433114		1	HANDLE, LOCK BAR

CONTINUED ON NEXT PAGE ➡

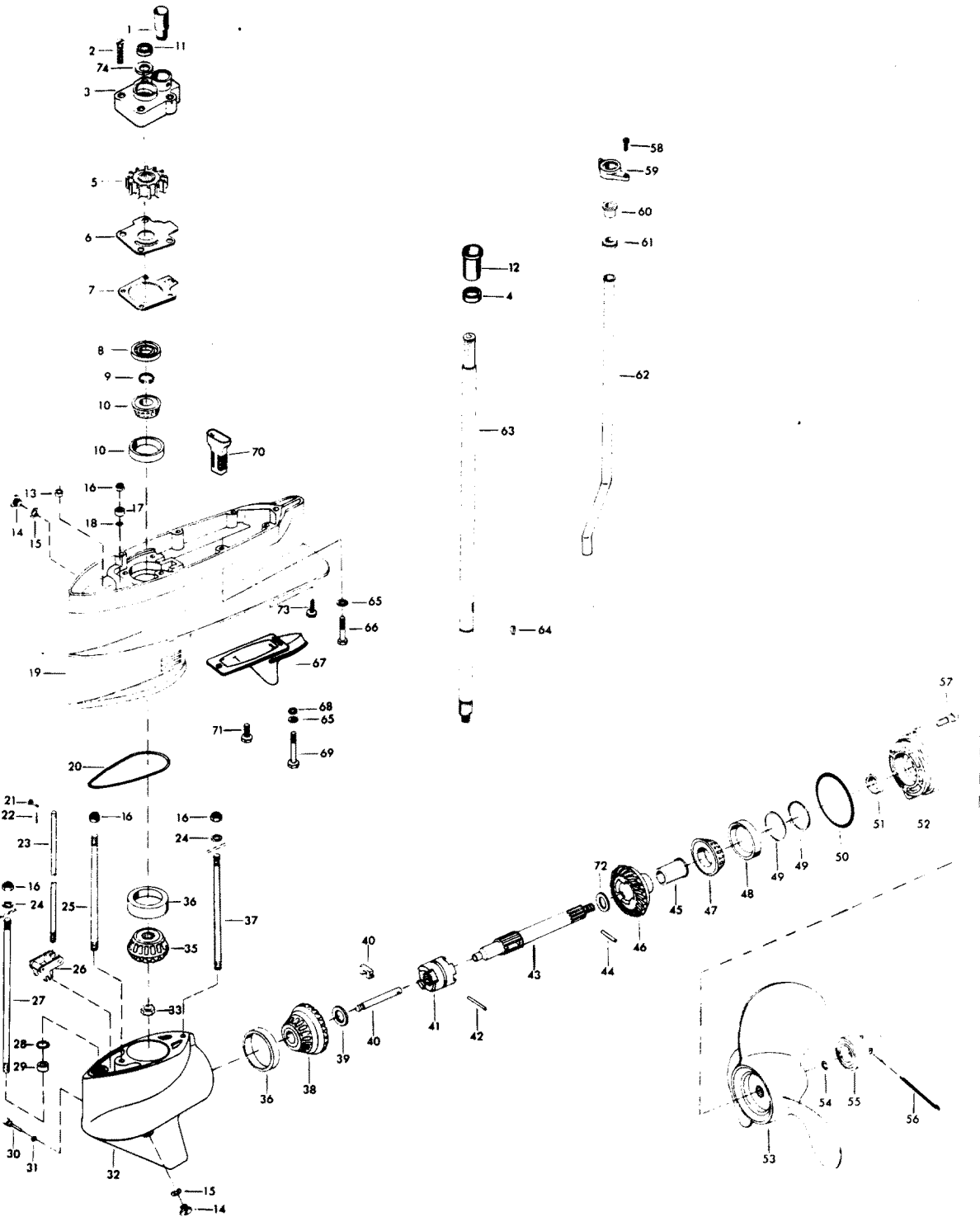
MOTOR LEG



MOTOR LEG

REF. NO.	PART NO.	SYM.	QTY.	DESCRIPTION
45	F1744		1	SPRING PIN
46	F85037-1		1	STERN BRACKET PIVOT BOLT
47	F84286-1		4	FRICTION WASHER
48	F85426		1	TILT STOP
49	817783A5		1	SWIVEL BRACKET W/BEARING AND GREASE FITTINGS
50	F1987		1	PLAIN WASHER
51	F84011		1	WASHER
52	F369364		1	REVERSE LOCK ARM
53	F369827		1	HANDLE AND SHAFT
54	F197813		2	BEARING
55	F8094		1	PLAIN WASHER
56	F1014		1	COTTER PIN
57	F1836		1	SPRING PIN
58	F369884		1	BEARING
59	F1912		4	HEX HD SCREW 10 - 24 X 1/2
60	F85779-1		1	BAFFLE, AIR INTAKE
61	F1871		4	HEX HD SCREW 3/8 - 16 X 3/4
62	F2014		2	PLAIN WASHER
63	FA85355-1		2	WASHER SHOCK MOUNT UPPER
64	F85965		2	SHOCK MOUNT, UPPER
65	F1703		2	SPRING LOCKWASHER
66	A85135-3		1	LEG COVER, FRONT
67	F438346		1	SHOCK MOUNT, LOWER
68	F8096		4	SPRING LOCKWASHER
69	F1822		4	HEX BOLT 5/16 - 18 X 7/8
70	F2030		6	HEX HD SCREW 1/4 - 20 X 1 1/4
71	F1666		2	BOWED SPRING WASHER
72	F85615		1	GEAR SHIFT ROD UPPER
73	F2108		2	LOCK NUT 5/16 - 18
74	F9052		1	PLUG
76	F85704		1	COUPLER, GEARSHIFT ROD UPPER
77	F523280		2	NUT, STEERING SUPPORT TUBE
-	F369390-1		1	DECAL, REVERSE LOCK (NOT SHOWN)
75	A438133-1		0	MOTOR LEG
7	817931A7		0	MOTOR LEG COVER, REAR
75	A383133-3		0	MOTOR LEG
7	F304145-4		0	MOTOR LEG COVER, REAR

GEAR HOUSING

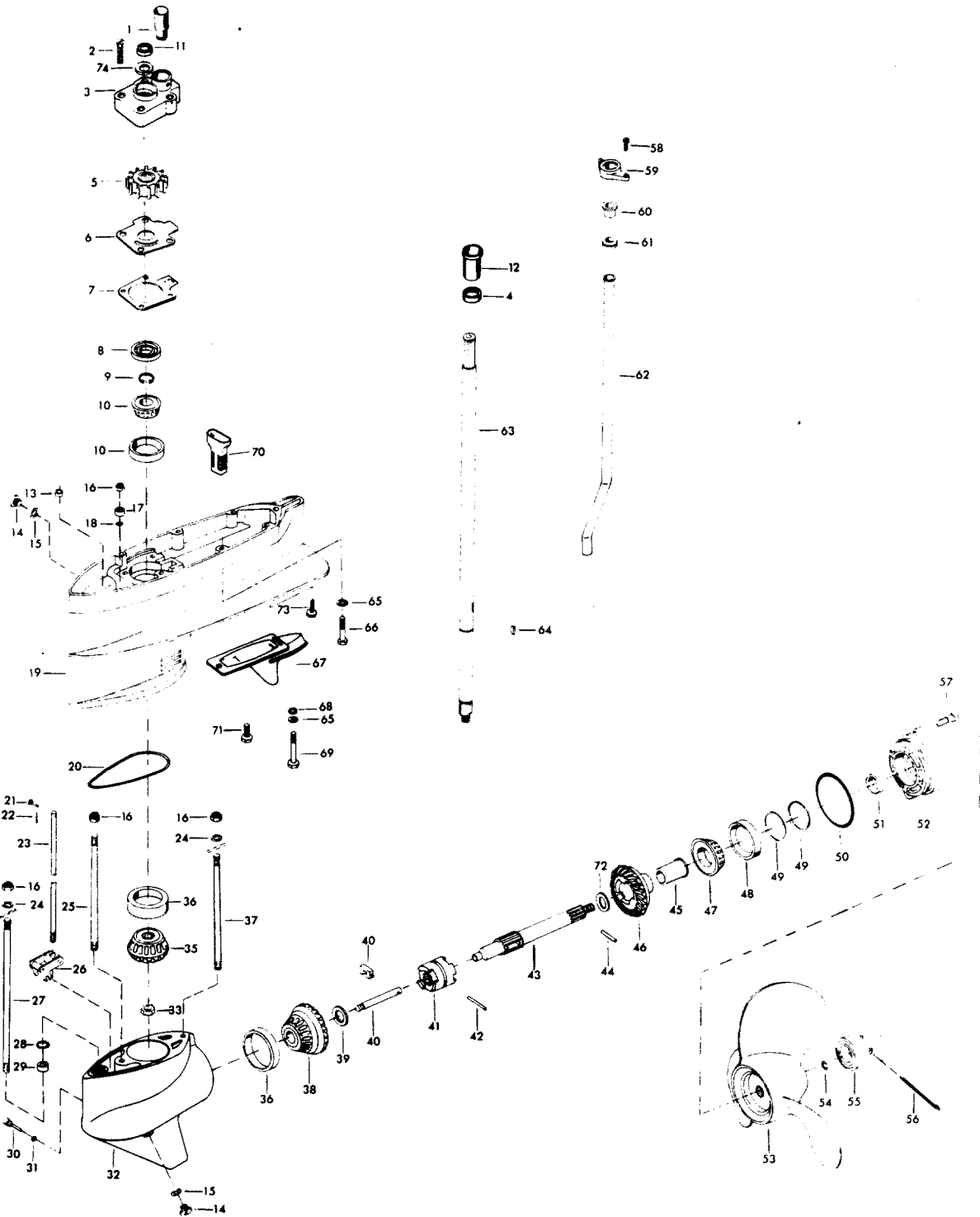


GEAR HOUSING

REF. NO.	PART NO.	SYM.	QTY.	DESCRIPTION
1	FA523735		1	SEAL, INLET WATER LINE, LOWER
2	F1584		4	FLAT HD SCREW, S.S., 1/4 - 20 X 1 3/8
3	FK500060		1	WATER PUMP BODY W/ITEMS 1 AND 11 ORIGINAL FORCE P/N A369060-1
4	F438271		1	RETAINER, CRANKSHAFT SPLINE SEAL
5	F438065		1	WATER PUMP IMPELLER
6	F369562		1	WATER PUMP BACK PLATE
7	F84031		1	GASKET, WATER PUMP
8	F84307-1		1	SEAL, DRIVESHAFT
9	F84173		1	RETAINING RING
10	FA40901		1	BEARING, DRIVESHAFT W/CUP
11	F351307		1	SEAL, WATER PUMP
12	F438129		1	SEAL, DRIVESHAFT SPLINE
13	F338618-1		1	SEAL, GEAR SHIFT ROD
14	F50109		2	PLUG, GEAR HOUSING
15	F8077		2	WASHER, GEAR HOUSING PLUG
16	F7025		3	HEX NUT, 3/8 - 16
17	F84215		1	SPACER
18	F19342		1	SEAL
19	A316554-2		1	GEAR HOUSING UPPER W/PLUG AND WASHER
20	F316555		1	SEAL
21	F85372		1	PIN, GEAR SHIFT ROD LOWER
22	F1015		1	COTTER PIN, S.S.
24	F1778		2	PLAIN WASHER
25	F316165		1	STUD, GEAR HOUSING CENTER
26	FA84621-1		1	COUPLING, GEAR SHIFT ARM W/BUSHING
27	F85006-1		1	STUD, GEAR HOUSING, FRONT
28	F316599		1	SEAL, GEAR HOUSING STUD, FRONT
29	F85012		1	PILOT, GEAR HOUSING
30	F90891		1	PIN, GEAR SHIFT ARM
31	F8001		1	WASHER
32	1600-817767A2		1	GEAR HOUSING LOWER W/PLUG AND WASHER
33	FA480188		1	NUT, BEVEL PINION RETAINING
35	FA481266		1	BEVEL PINION GEAR W/BEARING
36	84903		2	BEARING CUP
37	F84008-3		1	STUD, GEAR HOUSING, REAR
38	F2A481023		1	BEVEL GEAR FRONT W/BEARINGS
40	FA84871-1		1	PIN, GEAR SHIFT W/YOKE
41	F84521-1		1	CLUTCH
42	F1713		1	SPRING PIN
43	A85098-2		1	PROPELLER SHAFT
44	FK280		1	PROPELLER PIN
45	F384143		1	BEARING, BEVEL GEAR REAR

CONTINUED ON NEXT PAGE ➡

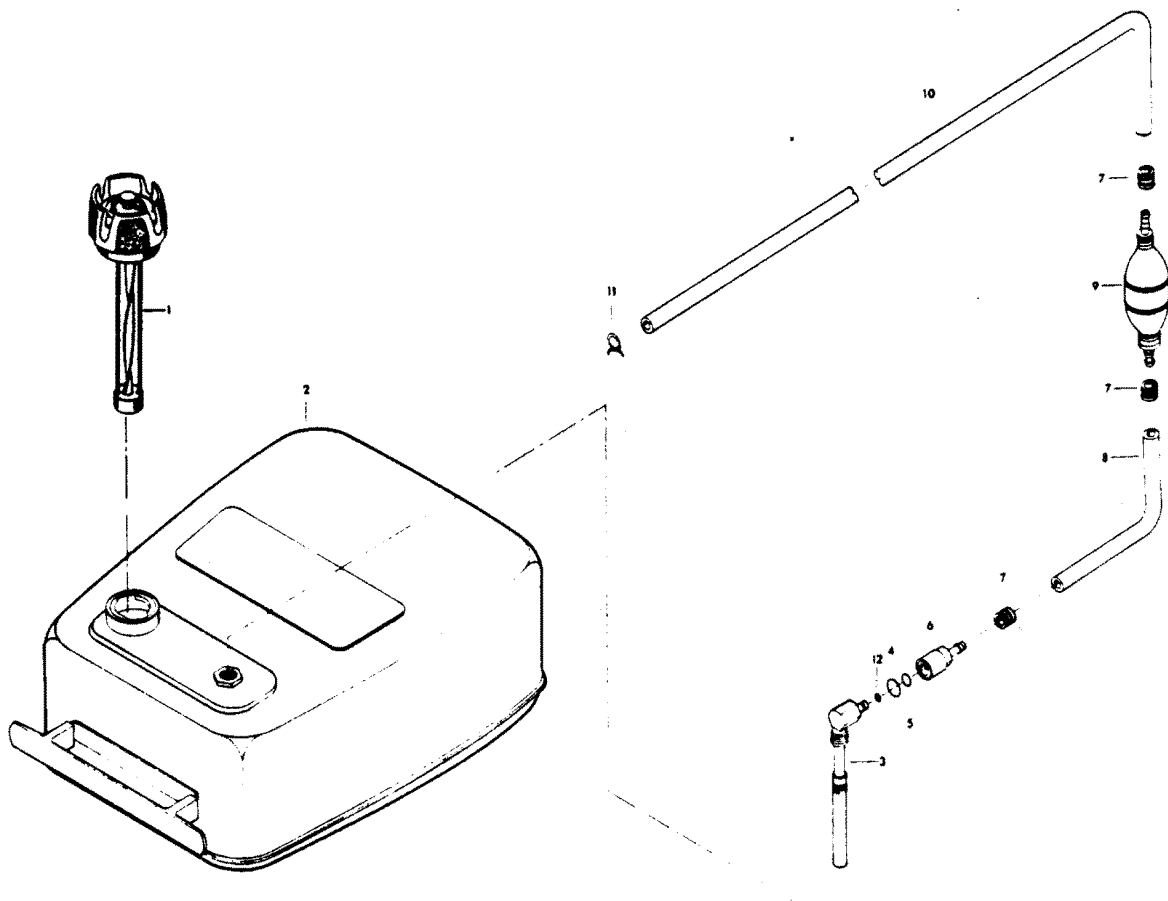
GEAR HOUSING



GEAR HOUSING

REF. NO.	PART NO.	SYM.	QTY.	DESCRIPTION
46	F481662		1	BEVEL GEAR, REAR
47	FA84225		1	BEARING W/CUP
48	84250		1	BEARING CUP
50	F84305		1	SEAL, PROPELLER SHAFT BEARING CAGE
51	F84118		1	SEAL, PROPELLER SHAFT
52	FA84298-3		1	PROPELLER SHAFT BEARING CAGE W/ITEM 51
53	FP372		1	PROPELLER (ACCESSORY ITEM) FOR 75 H.P. ENGINES
-	FP383		1	PROPELLER (ACCESSORY ITEM) FOR 90 H.P. ENGINES
54	F40342		1	SEAL, PROPELLER NUT
55	11-817784A1		1	PROPELLER NUT W/COTTER PIN AND SEAL
56	F1028		1	COTTER PIN, S.S.
57	F1252		2	HEX SOCKET HD CAP SCREW, S.S., 3/8 - 16 X 1
58	F1705		2	HEX CAP SCREW, S.S., 1/4 - 20 X 3/4
59	F85117		1	BRACKET, WATER LINE
60	F84342		1	SEAL, INLET WATER LINE, UPPER
61	F381899		1	GROMMET, WATER LINE
64	F9038		1	DRIVE KEY, WATER PUMP
65	F8096		7	SPRING LOCKWASHER, S.S.
66	F1696		6	HEX BOLT, S.S., 5/16 - 18 X 1 3/4
67	817797A2		1	EXHAUST OUTLET, GEAR HOUSING UPPER
68	F1907		1	PLAIN WASHER
69	F1994		1	HEX SOCKET HD CAP SCREW, 5/16 - 18 X 1
70	F438077		1	SCREEN, WATER INLET
71	F438930		1	RETAINER, SNOUT
72	F84717		1	THRUST WASHER, BEVEL GEAR, REAR
73	F1213		1	HEX CAP SCREW, 5/16 - 18 X 1 1/8
74	F480388		1	DISC, WATER PUMP LOCATING
-	FC481054		0	GEAR HOUSING COMPLETE. INCLUDES ALL ITEMS MARKED WITH AN ASTERISK (*).
23	F85705-1		0	GEAR SHIFT ROD LOWER
62	F85244		0	INLET WATER LINE
63	FK85128-1		0	DRIVESHAFT W/ITEMS 4, 12 & 33
23	F304705-1		0	GEAR SHIFT ROD LOWER
62	F304244		0	INLET WATER LINE
63	K304128-1		0	DRIVESHAFT W/ITEMS 4, 12 & 33

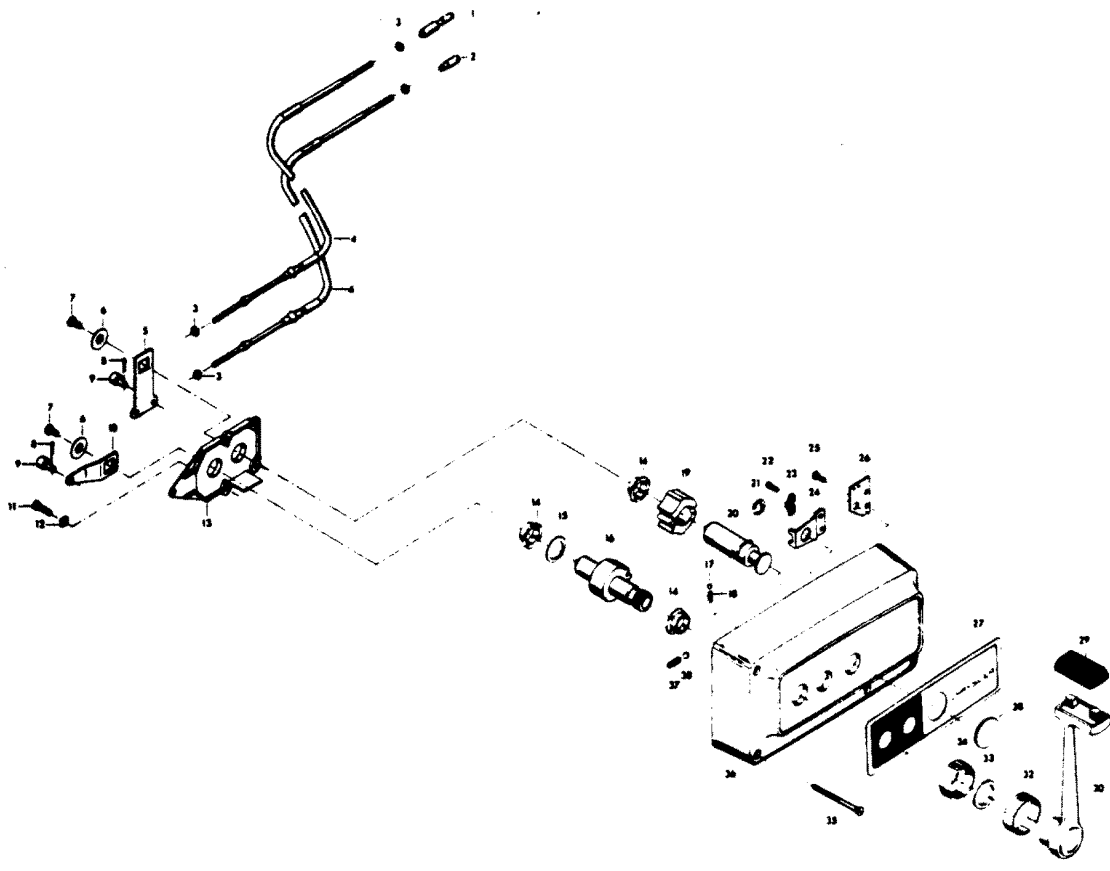
FUEL TANK AND LINE



FUEL TANK AND LINE

REF. NO.	PART NO.	SYM.	QTY.	DESCRIPTION
1	F409251-1		1	GAUGE CAP
2	F71H08		1	FUEL TANK (ACCESSORY ITEM)
3	F485755		1	FUEL TANK ADAPTER
4	F213342		1	SEAL, FUEL LINE COUPLER (LARGE)
5	F213735		1	SEAL, FUEL LINE COUPLER (SMALL)
6	F197787-2		1	FUEL LINE COUPLER
7	F298788		3	FERRULE
8	FA84754-1		1	FUEL LINE SHORT W/FERRULES
9	89396A38		1	PRIME BULB
10	32-817738A1		1	FUEL LINE LONG W/CLAMP AND FERRULE
11	F97772		1	FUEL LINE CLAMP
12	F17932		1	SEAL, FUEL TANK ADAPTER
-	FS409752		1	FUEL LINE COMPLETE (NOT SHOWN)

REMOTE CONTROL

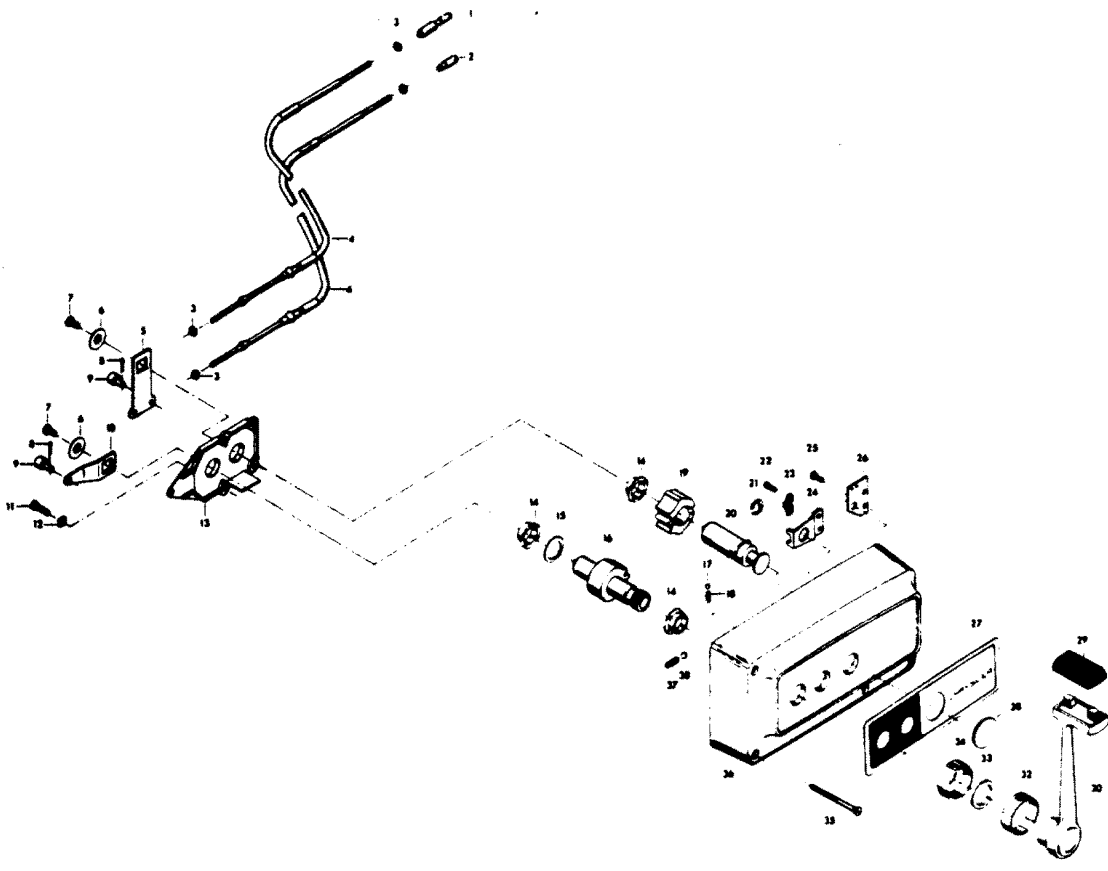


REMOTE CONTROL

REF. NO.	PART NO.	SYM.	QTY.	DESCRIPTION
1	FA58976-1		1	CONNECTOR, THROTTLE CABLE
2	F58685-2		1	CONNECTOR, SHIFT CABLE
3	F1513		4	HEX NUT
4	ÄF58356//		2	REMOTE CONTROL CABLE (SPECIFY LENGTH)
5	F17019		1	CLUTCH ARM
6	F17036		2	INTERNAL TOOTH LOCKWASHER
7	F1715		2	HEX BOLT, 1/4 - 28 X 9/16
8	F17015		2	COTTER PIN
9	F17016		2	CABLE TERMINAL
10	F17014		1	THROTTLE ARM
11	F17013		2	FILL HD SCREW, 1/4 - 20 X 1/2
12	F17020		2	INTERNAL TOOTH LOCKWASHER
13	F17012		1	RETAINING PLATE
14	F17009		3	BEARING
15	F17011		1	BOWED WASHER
16	F17010-1		1	THROTTLE GEAR
17	F17111		1	DETENT BALL
18	F17006		1	DETENT SPRING
19	F17021		1	CLUTCH GEAR
20	F17100		1	CLUTCH SHAFT
21	F17092		1	SNAP RING
22	F17107		2	FILL HD SCREW, 10 - 24 X 5/16
23	F154317		1	CABLE CLAMP
24	F17026		1	SWIVEL
25	F1557		2	FLAT HD SCREW, 10 - 24 X 3/8
26	F17112		1	JUNCTION BOARD, STARBOARD
-	F17113		1	JUNCTION BOARD, PORT
27	F17101		1	DECAL, STARBOARD
-	17102		1	DECAL, PORT
28	F17031		1	SNAP CAP
29	F17116		1	KNOB
30	F17115		1	HANDLE
31	F17030-1		1	SET SCREW
32	FK17114-1		1	INDICATOR
33	F17105		1	FELT WASHER
34	F17106		1	COLLAR
35	17108		1	WOOD SCREW

CONTINUED ON NEXT PAGE ➡

REMOTE CONTROL



REMOTE CONTROL

REF. NO.	PART NO.	SYM.	QTY.	DESCRIPTION
36	F17099		1	HOUSING
37	F17068		1	DETENT SPRING
38	F17082-1		1	DETENT BALL
39	F72H36		1	REMOTE CONTROL UNIT COMPLETE (SINGLE LEVER STARBOARD)
-	F1280		2	PAN HD SCREW, 8 - 32 X 1/4 (TERMINAL BOARD) (NOT SHOWN)

SPECIAL TOOLS - TUNE-UP

REF. NO.	PART NO.	SYM.	QTY.	DESCRIPTION
-	FT8948-1		0	FLYWHEEL PULLER TO REMOVE FLYWHEEL.
-	FTA2937-1		0	TIMING TOOL TO ADJUST SPARK ADVANCE.

SPECIAL TOOLS - POWER HEAD

REF. NO.	PART NO.	SYM.	QTY.	DESCRIPTION
-	FT8914		0	SEAL REMOVER TO REMOVE UPPER CRANKSHAFT BEARING CAGE SEAL.
-	FT8903		0	SEAL PROTECTOR TO INSTALL UPPER CRANKSHAFT BEARING CAGE SEAL.
-	FT8927		0	SEAL PROTECTOR TO INSTALL UPPER CRANKSHAFT BEARING CAGE SEAL.
-	FT8907		0	DRIVE HANDLE USED WITH T8910, T8909, T8908 AND T8903.
-	FT8922		0	SLIDE HAMMER TO REMOVE UPPER CRANKSHAFT BEARING CAGE SEAL. ALSO USED TO REMOVE BEARING CUPS FROM PROPELLER SHAFT BEARING CAGE.
-	FT2953		0	SOCKET TO TORQUE CONNECTING ROD SCREWS.
-	FT2990		0	PISTON PIN TOOL TO REMOVE AND INSTALL PISTON PINS.
-	FT2996		0	RING COMPRESSOR TO INSTALL PISTON RINGS.
-	FT8926		0	RING EXPANDER TO INSTALL PISTON RINGS.

SPECIAL TOOLS - GEAR HOUSING

REF. NO.	PART NO.	SYM.	QTY.	DESCRIPTION
-	FT2993		0	PROPELLER SHAFT BEARING CAGE PULLER TO REMOVE PROPELLER SHAFT BEARING CAGE FROM GEAR HOUSING.
-	FT8918		0	BEARING GUIDE SET TO REMOVE AND INSTALL BEARING CUP IN LOWER GEAR HOUSING.
-	FT2995		0	FORWARD BEARING CUP REMOVER TO REMOVE FORWARD BEARING CUP IN LOWER GEAR HOUSING.
-	FT8909		0	FORWARD BEARING CUP INSTALLER TO INSTALL FORWARD BEARING CUP IN LOWER GEAR HOUSING.
-	FT8917		0	REAR BEARING CUP REMOVER TO REMOVE REAR BEARING CUP FROM PROPELLER SHAFT BEARING CAGE.
-	FT8910		0	REAR BEARING CUP INSTALLER TO INSTALL REAR BEARING CUP IN PROPELLER SHAFT BEARING CAGE.
-	FT8957		0	SEAL INSTALLER TO INSTALL SHIFT ROD SEAL.
-	FT8908		0	PROPELLER SHAFT SEAL INSTALLER TO INSTALL PROPELLER SHAFT SEAL IN PROPELLER SHAFT BEARING CAGE.
-	FT8915		0	PROPELLER SHAFT SEAL PROTECTOR TO INSTALL PROPELLER SHAFT SEAL IN PROPELLER SHAFT BEARING CAGE.
-	FT8916		0	PROPELLER SHAFT BEARING INSTALLER TO INSTALL REVERSE GEAR AND BEARING ON PROPELLER SHAFT.
-	FT8906		0	PROPELLER SHAFT BEARING SUPPORT TO INSTALL REVERSE GEAR AND BEARING ON PROPELLER SHAFT.
-	FT8911		0	DRIVESHAFT KNOCK-OFF NUT TO REMOVE DRIVESHAFT FROM UPPER GEAR HOUSING.
-	FT8905		0	DRIVESHAFT BEARING REMOVER TO REMOVE BEARING FROM DRIVESHAFT.
-	FT8920		0	DRIVESHAFT BEARING INSTALLER TO INSTALL BEARING ON DRIVESHAFT.
-	FT8925		0	DRIVESHAFT SEAL INSTALLER TO INSTALL DRIVESHAFT SEAL IN UPPER HOUSING.
-	FT8924-1		0	CHECKING GAUGE TO MEASURE PROPELLER SHAFT END PLAY AND END FLOAT.
-	FT8907		0	DRIVER HANDLE TO INSTALL BEARING CUPS AND SEALS.
-	FT8901		0	INDICATOR HOLDER USED IN CONJUNCTION WITH T8924.
-	FT8902		0	DIAL INDICATOR USED IN CONJUNCTION WITH T8924.
-	FT2992		0	GAUGE TO CENTER WATER PUMP BODY.
-	FT8919		0	SPRING PIN PUNCH TO REMOVE CLUTCH SPRING PIN.

SPECIAL TOOLS - TEST EQUIPMENT

REF. NO.	PART NO.	SYM.	QTY.	DESCRIPTION
-	FT2981A		0	TEST WHEEL TO TEST MOTOR IN TEST TANK (75 H.P.)
-	FT8961A		0	TEST WHEEL TO TEST MOTOR IN TEST TANK (90 H.P.)
-	FT8933		0	LIFTING HOOK TO LIFT ENGINE.
-	FT8950		0	LEAKAGE TESTER TO TEST LOWER UNIT SEALS FOR LEAKAGE.
-	T8974		0	BREAKER POINT TENSION GAUGE FOR CHECKING BREAKER POINT SPRING TENSION.

ACCESSORIES

REF. NO.	PART NO.	SYM.	QTY.	DESCRIPTION
-	F861		0	FLUSHING ADAPTER PERMITS FRESH WATER FLUSHING OF WATER PASSAGES WITH STANDARD GARDEN HOSE.
-	F72H36		0	SYNCHRO-DRIVE CONTROL BOX (SINGLE LEVER PERMITS REMOTE CONTROL OF THROTTLE AND GEAR SHIFT FROM STARBOARD SIDE OF BOAT.
-	73H08		0	PORT SIDE DECAL KIT CONVERTS 72H36 CONTROL BOX TO PORT SIDE MOUNTING.
-	F590		0	SYNCHRO-DRIVE CONTROL HEAD (SINGLE LEVER) FLUSH MOUNT CONTROL UNIT PERMITS REMOTE CONTROL OF THROTTLE AND GEAR SHIFT. MAY BE MOUNTED ON PORT OR STARBOARD SIDE OF BOAT.
-	865		0	TWIN SYNCHRO-DRIVE CONTROL BOX PERMITS REMOTE CONTROL OF THROTTLE AND GEAR SHIFT ON TWIN ENGINE INSTALLATIONS. MAY BE MOUNTED ON PORT OR STARBOARD SIDE OF BOAT.
-	F195/___		0	REMOTE CONTROL CABLES CONNECTS REMOTE CONTROL BOX TO THROTTLE AND GEAR SHIFT ON ENGINE. AVAILABLE IN 6 THROUGH 20 FOOT LENGTHS.
-	F165		0	REMOTE STEERING BRACKET ADAPTS ENGINE TO CABLE TYPE REMOTE STEERING.
-	F166		0	DUAL ENGINE TIE BAR PERMITS DUAL ENGINE INSTALLATIONS.
-	F862		0	STEEL, 6 GALLON FUEL ADDITIONAL TANK TO CARRY FUEL RESERVE.
-	F71H08		0	STEEL, 6 GALLON FUEL TANK (LOW PROFILE)
-	F71H12		0	TANK ANCHOR SECURES 71H08 TO BOAT.
-	F71H23		0	STEEL, 12 GALLON FUEL TANK
-	175		0	AMMETER SURFACE MOUNT MONITORS OUTPUT OF ALTERNATOR.
-	71H06		0	AMMETER FLUSH MOUNT MONITORS OUTPUT OF ALTERNATOR.
-	F70H01		0	ANTI-CORROSION KIT ELECTRICAL KIT FOR MOUNTING ON BOAT (12V) TO REDUCE CORROSION.
-	F71H02		0	ANTI-CORROSION SACRIFICIAL ANODE KIT USED TO REDUCE CORROSION.
-	F71H30		0	OVERHEAT BUZZER SOUNDS WARNING BUZZER IF ENGINE OVERHEATS.
-	F72H22		0	POWER TRIM INDICATOR INDICATES ENGINE TRIM ANGLE. (FLUSH MOUNT)
-	73H06		0	POWER TRIM INDICATOR INDICATES ENGINE TRIM ANGLE. (SURFACE MOUNT)
-	72H31		0	FROST WHITE LACQUER ENGINE TOUCH-UP PAINT IN 16 OZ. SPRAY BOMBS (12 CANS PER CASE)
-	72H32		0	GOLD LACQUER ENGINE TOUCH-UP PAINT IN 16 OZ. SPRAY BOMBS (12 CANS PER CASE)
-	F71H32		0	TILT STOP KIT LIMITS TILTING ANGLE
-	F73H09		0	RFI SUPPRESSION KIT PROVIDES RADIO NOISE SUPPRESSION.
-	F461		0	SHOCK ABSORBER KIT
-	F72H66		0	EXHAUST SNOOT

CONTINUED ON NEXT PAGE ➡

ACCESSORIES

REF. NO.	PART NO.	SYM.	QTY.	DESCRIPTION
-	F75H09		0	BATTERY CABLE LONGER LENGTH - 15 FEET.
-	F74H01		0	VOLTMETER - FLUSH MOUNT INDICATES BATTERY CONDITION.
-	74H02		0	VOLTMETER - SURFACE MOUNT INDICATES BATTERY CONDITION.
-	72H06		0	CANVAS HOOD PROTECTION FOR ENGINE COVER.
-	72H13		0	BATTERY, 74 AMP 12 VOLT HEAVY DUTY BATTERY.
-	172		0	BATTERY CASE HEAVY PLASTIC CASE WITH TIE DOWN STRAPS. PROTECTS BATTERY FROM DAMAGE.
-	F70H05		0	EXTENSION CABLE FOR LENGTHENING BATTERY CABLE 6 1/2 FEET.
-	F71H26		0	BATTERY TERMINAL KIT ADAPTS MODEL 72H13 BATTERY TERMINALS FOR CONNECTIONS TO BATTERY CABLE ON ENGINE.
-	71H25		0	CHARGE INDICATOR LAMP GLOWS GREEN WHEN ALTERNATOR IS RECHARGING BATTERY. DO NOT USE INDICATOR LAMP AND AMMETER IN SAME INSTALLATION.
-	F71H20		0	CIGAR LIGHTER FOR USE AS CONVENIENCE OUTLET.
-	168		0	CONTROL PANEL FOR MOUNTING LAMPS, SWITCHES, ETC.
-	877		0	DECAL SET FOR RACING ENGINE IDENTIFICATION.
-	71H24		0	FUEL GAUGE SURFACE MOUNT MONITORS FUEL SUPPLY.
-	71H07		0	FUEL GAUGE FLUSH MOUNT MONITORS FUEL SUPPLY.
-	F72H08		0	HYDRAULIC TILT HYDRAULIC UNIT TO RAISE AND LOWER THE LOWER UNIT WHEN BEACHING OR TRAILERING BOAT.
-	479		0	HEAT LAMP KIT GLOWS RED IF ENGINE OVERHEATS. DO NOT USE HEAT LAMP AND TEMPERATURE GAUGE IN SAME INSTALLATION.
-	478		0	IGNITION LAMP KIT GLOWS ORANGE WHEN IGNITION SWITCH IS IN "ON" POSITION.
-	F74H19		0	IGNITION KEY SWITCH SHORT BARREL WITH KEYS.
-	F74H20		0	IGNITION KEY SWITCH LONG BARREL WITH KEYS.
-	71H11		0	RACING LOWER UNIT (15") FOR RACING APPLICATIONS.
-	72H19		0	RACING LOWER UNIT (17 1/4") FOR RACING APPLICATIONS.
-	70H24		0	RACING STRIPE KIT ORANGE STRIPPING FOR ENGINE COVER.
-	70H25		0	RACING STRIPE KIT BLUE STRIPPING FOR ENGINE COVER.
-	F762		0	REMOTE ELECTRIC CABLE 25 FOOT CABLE FOR LARGE BOATS.
-	F73H11		0	REMOTE ELECTRIC CABLE 21 FOOT CABLE FOR LARGE BOATS.
-	F71H10		0	SENDING UNIT FOR USE WITH 71H07 FUEL GAUGE.
-	F71H05		0	TEMPERATURE GAUGE FLUSH MOUNT MONITORS ENGINE TEMPERATURE. DO NOT USE TEMPERATURE GAUGE AND HEAT LAMP IN SAME INSTALLATION.
-	177		0	TEMPERATURE GAUGE SURFACE MOUNT MONITORS ENGINE TEMPERATURE. DO NOT USE TEMPERATURE GAUGE AND HEAT LAMP IN SAME INSTALLATION.

CONTINUED ON NEXT PAGE ➡

ACCESSORIES

REF. NO.	PART NO.	SYM.	QTY.	DESCRIPTION
-	74H13		0	TACHOMETER SURFACE MOUNT MONITORS ENGINE R.P.M. TO PROVIDE CHECK OF ENGINE PERFORMANCE.
-	F74H09		0	TACHOMETER FLUSH MOUNT MONITORS ENGINE R.P.M. TO PROVIDE CHECK OF ENGINE PERFORMANCE.
-	F794		0	WATER PUMP KIT HEAVY DUTY WATER PUMP KIT.
-	F71H34		0	POWER TRIM ADJUSTS ENGINE TRIM AND TILTS ENGINE.
-	176		0	SPEEDOMETER SURFACE MOUNT MONITORS BOAT SPEED (0 - 50 M.P.H.)
-	F71H04		0	SPEEDOMETER FLUSH MOUNT MONITORS BOAT SPEED (0 - 50 M.P.H.)

SPECIFICATIONS

REF. NO.	PART NO.	SYM.	QTY.	DESCRIPTION
-			0	HORSEPOWER 75 B.I.A. CERTIFIED BRAKE H.P. AT 4750 R.P.M. 90 B.I.A. CERTIFIED BRAKE H.P. AT 5000 R.P.M.
-			0	MOTOR TWO-CYCLE, THREE CYLINDER, ALTERNATE FIRING.
-			0	BORE AND STROKE 3 - 5/16" BORE X 2.8" -- STROKE.
-			0	DISPLACEMENT 72.39 CUBIC INCHES.
-			0	CONNECTING RODS NICKEL STEEL. CAGED NEEDLE BEARINGS AT CRANKSHAFT. FULL COMPLIMENT NEEDLE BEARINGS AT PISTON PIN.
-			0	CRANKSHAFT NICKEL STEEL. BALL BEARINGS AT UPPER MAIN. CAGED NEEDLE BEARINGS AT CENTER MAIN AND CASED NEEDLE BEARINGS AT LOWER MAIN.
-			0	CORROSION PROTECTION ALODINE TREATED CASTINGS, STAINLESS STEEL DRIVE SHAFT, PROPELLER SHAFT, GEAR SHIFT ROD AND UNDERWATER FASTENERS.
-			0	FUEL TANK SEPARATE STEEL 6 U.S. GALLON, 5 IMPERIAL GALLON CAPACITY.
-			0	FUEL SYSTEM VACUUM TYPE FUEL PUMP. FLOAT FEED CARBURETOR WITH FIXED HIGH SPEED JET AND ADJUSTABLE LOW SPEED JET.
-			0	FUEL FILTERS FILTER SCREENS IN FUEL TANK AND FUEL PUMP.
-			0	STARTER ELECTRIC.
-			0	COOLING WATER COOLED, THERMOSTATICALLY CONTROLLED, POSITIVE DISPLACEMENT TYPE WATER PUMP.
-			0	TRANSOM HEIGHT 15" OR 20", DEPENDING ON MODEL.
-			0	WEIGHT 221 LBS. FOR SHORT SHAFT MODELS.
-			0	TILT LOCK POSITIVE TILT LOCK PERMITS ENGINE TO REMAIN IN TILTED POSITION WHEN NOT IN USE.
-			0	RECOMMENDED OPERATING RANGE 75 H.P. - 4400-5100 R.P.M. 90 H.P. - 4500-5500 R.P.M.

LUBRICATION CHART

REF. NO.	PART NO.	SYM.	QTY.	DESCRIPTION
-			0	UPPER AND LOWER GEAR HOUSINGS SEE BLOCK COMMENT 1.
-			0	CONTROL LINKAGE LUBRICATE ALL MOVING PARTS AND CONTROL LINKAGE WITH RYKON #2EP, PART NO. T2961 EACH SEASON OR OFTENER IF REQUIRED.
-			0	STERN BRACKET LUBRICATE STERN BRACKET AND ASSOCIATED PARTS WITH RYKON #2EP, PART NO. T2961 TWICE EACH SEASON OR OFTENER IF REQUIRED.
-			0	GREASE FITTINGS GREASE FITTINGS ARE PROVIDED AT CRITICAL POINTS WHERE BEARING SURFACES ARE NOT EXPOSED EXTERNALLY. USING AN AUTOMOTIVE-TYPE GREASE GUN AND LUBRICANT, GREASE TWICE EACH SEASON OR OFTENER IF REQUIRED.
-			0	STARTER PINION GEAR LUBRICATE WITH RYKON #2EP, PART NO. T-2961, TWICE EACH SEASON OR OFTENER IF REQUIRED.

SPECIAL ADJUSTMENTS

REF. NO.	PART NO.	SYM.	QTY.	DESCRIPTION
-			0	BREAKER POINT GAP .013" - .015".
-			0	FLYWHEEL NUT TORQUE TO 90 FOOT POUNDS.
-			0	CYLINDER HEAD BOLT TORQUE TO 270 INCH POUNDS.
-			0	SPARK PLUG

PARTS INDEX

Part Number	Description	Pg.	Ref. No.	Part Number	Description	Pg.	Ref. No.
ÄF58356//	REMOTE CONTROL CABLE (SPECIFY LENGTH)	41	4	A383133-3	MOTOR LEG	33	75
15037	HEAD ASSEMBLY, COMMUTATOR END	11	18	A438010-3	CYLINDER ASSEMBLY	27	89
168	CONTROL PANEL	49	-	A438133-1	MOTOR LEG	33	75
17102	DECAL, PORT	41	-	A480944	ENGINE COVER W/RETAINER, SCREWS AND NUTS	3	7
17108	WOOD SCREW	41	35	A85098-2	PROPELLER SHAFT	35	43
172	BATTERY CASE	49	-	A85135-3	LEG COVER, FRONT	33	66
175	AMMETER SURFACE MOUNT	48	-	AC16395-7	IDENTIFICATION PLATE W/SCREWS FOR CANADA MODELS	3	-
176	SPEEDOMETER SURFACE MOUNT	50	-	C438010-3	SHORT BLOCK	27	-
177	TEMPERATURE GAUGE SURFACE MOUNT	49	-	C523227	SPARK PLUG (CHAMPION QL-76V)	27	-
478	IGNITION LAMP KIT	49	-	F10000	GASKET SET (NOT SHOWN)	21	-
479	HEAT LAMP KIT	49	-	F10026	REPAIR PARTS KIT	21	-
480373	DECAL, MAGNAPOWER IGNITION (NOT SHOWN) .	9	-	F10053	REPAIR PARTS KIT	21	-
481373	DECAL, "ELECTRONIC" (NOT SHOWN)	15	-	F1009	HEX BOLT, 3/8 - 16 X 2 3/4 .	27	97
70H24	RACING STRIPE KIT	49	-	F1014	COTTER PIN	19	84
70H25	RACING STRIPE KIT	49	-	F1014	COTTER PIN	33	56
71H06	AMMETER FLUSH MOUNT .	48	-	F1015	COTTER PIN, S.S.	35	22
71H07	FUEL GAUGE FLUSH MOUNT	49	-	F1028	COTTER PIN, S.S.	37	56
71H11	RACING LOWER UNIT	49	-	F1059	FILL HD SCREW, S.S., 6 - 32 X 1/4	19	80
71H24	FUEL GAUGE SURFACE MOUNT	49	-	F1064	FILL HD SCREW, S.S., 8 - 32 X 3/8	19	45
71H25	CHARGE INDICATOR LAMP	49	-	F1072	FILL HD SCREW, 1/4 - 20 X 1 3/4	19	59
72H06	CANVAS HOOD	49	-	F1099	FILL HD SCREW, 1/4 - 20 X 1 1/4	27	100
72H13	BATTERY, 74 AMP	49	-	F1107	FILL HD SCREW, 1/4 - 20 X 3/4	27	98
72H19	RACING LOWER UNIT	49	-	F1108	FILL HD SCREW W/LOCKWASHER, 1/4 - 20 X 3/4	17	2
72H31	FROST WHITE LACQUER . .	48	-	F1187	HEX HD SCREW, 1/4 - 20 X 1	23	35
72H32	GOLD LACQUER	48	-	F1199	HEX CAP SCREW, 1/4 - 20 X 1	23	44
73H06	POWER TRIM INDICATOR .	48	-	F1203	HEX BOLT, 1/4 - 20 X 7/8 . .	23	6
73H08	PORT SIDE DECAL KIT	48	-	F1213	HEX CAP SCREW, 5/16 - 18 X 1 1/8	37	73
74H02	VOLTMETER - SURFACE MOUNT	49	-	F1236	HEX HD SCREW, 1/4 - 20 X 1/2	19	91
74H13	TACHOMETER SURFACE MOUNT	50	-	F1238	HEX CAP SCREW, 1/4 - 20 X 3/4	3	14
817747--1	BALL JOINT W/STUD	17	28	F1238	HEX HD SCREW, 1/4 - 20 X 3/4	23	43
817747--1	BALL JOINT W/STUD	23	9	F1252	HEX SOCKET HD CAP SCREW, S.S., 3/8 - 16 X 1	37	57
817783A5	SWIVEL BRACKET W/BEARING AND GREASE FITTINGS	33	49	F1263	HEX SOCKET HD CAP SCREW 5/16 - 18 X 9/16 .	31	14
817786A1	DISTRIBUTOR PULLEY	13	3	F1280	PAN HD SCREW, 8 - 32 X 1/4	7	33
817787A1	CYLINDER DRAIN COVER .	23	33	F1280	PAN HD SCREW, 8 - 32 X 1/4 (TERMINAL BOARD) (NOT SHOWN)	43	-
817788A3	SPACER PLATE W/PLUGS .	25	63	F1286	PAN HD SCREW, 4 - 40 X 3/16	23	31
817797A2	EXHAUST OUTLET, GEAR HOUSING UPPER	37	67	F1293	ROUND HD SCREW, 2 X 3/16	3	19
817931A7	MOTOR LEG COVER, REAR	33	7				
817959A3	INTAKE MANIFOLD	17	23				
84250	BEARING CUP	37	48				
84903	BEARING CUP	35	36				
865	TWIN SYNCHRO-DRIVE CONTROL BOX	48	-				
877	DECAL SET	49	-				
89396A38	PRIME BULB	39	9				
A316554-2	GEAR HOUSING UPPER W/PLUG AND WASHER . .	35	19				

PARTS INDEX

Part Number	Description	Pg.	Ref. No.	Part Number	Description	Pg.	Ref. No.
F1341	HEX NUT, 1/4 - 20	23	13	F15110	CLUTCH ASSEMBLY	11	4
F1346	HEX NUT 3/8 - 16	31	21	F15111	NUT, STOP RETAINING	11	1
F1346	HEX NUT, 3/8 - 16	27	95	F15112	STOP, PINION	11	2
F14006-2	CAP BASE	13	37	F1513	HEX NUT	7	18
F14007	CAP SCREW	13	33	F1513	HEX NUT	41	3
F14011-1	CAP COVER	13	34	F1513	HEX NUT, 10 - 32	17	29
F14012-1	BRUSH	13	39	F1513	HEX NUT, 10 - 32	23	7
F14015	CAP CLIP RIVET	13	21	F1514	HEX NUT, 1/4 - 20	11	6
F14017	TERMINAL INSULATOR (OUTSIDE)	15	46	F1515	HEX NUT, 5/16 - 18	17	37
F14020-1	CAP SEAL	13	36	F1528	WELCH PLUG	31	22
F14024	SPACER	13	42	F154317	CABLE CLAMP	41	23
F14025	SPACER	13	4	F1556	FILL HD SCREW W/LOCKWASHER, 10 - 24 X 3/8	23	14
F14028	THRUST WASHER	13	5	F1557	FLAT HD SCREW, 10 - 24 X 3/8	41	25
F14029	THRUST WASHER	13	7	F1584	FLAT HD SCREW, S.S., 1/4 - 20 X 1 3/8	35	2
F14030	CAP GASKET	13	38	F1593	HEX HD SCREW 3/8 - 16 X 3	31	18
F14036	SWIVEL	13	13	F1612	HEX CAP SCREW, 3/8 - 16 X 1 1/4	13	8
F14037	CAP CLIPS	13	14	F1615	HEX NUT	7	24
F14038	CAP CLIP SCREWS	13	15	F1645	RD HD SCREW, 6 - 32 X 1/4	21	100
F14040	VENT	13	35	F1647	HEX NUT, 10 - 32	25	86
F14041	EXTERNAL TOOTH LOCKWASHER	13	23	F1647	HEX NUT, 8 - 32	7	6
F14042	DISTRIBUTOR HOUSING W/BEARINGS	13	12	F1647	HEX NUT, 8 - 32	13	24
F14043	DISTRIBUTOR SHAFT	13	40	F1648	PAN HD SCREW, 10 - 24 X 3/4	7	16
F14045	SCREW	13	16	F165	REMOTE STEERING BRACKET	48	-
F14046	TERMINAL SCREW	13	19	F166	DUAL ENGINE TIE BAR	48	-
F14047	TERMINAL INSULATOR (INSIDE)	13	20	F1664	SPRING PIN	31	8
F14048	PREAMPLIFIER	13	17	F1666	BOWED SPRING WASHER	33	71
F14049	TERMINAL INSULATOR (OUTSIDE)	13	22	F1669	LOCK NUT	31	36
F1473	HEX NUT, 10 - 24	3	36	F1678	FILL HD SCREW, 10 - 24 X 13/16	7	2
F1475	FILL HD SCREW, 10 - 24 X 1/2	23	11	F1689	HEX HD CAP SCREW, 1/4 - 20 X 1/2	7	42
F1502	HEX CAP SCREW, 1/4 - 20 X 5/8	21	97	F1692	WOODRUFF KEY	13	41
F1502	HEX HD SCREW, 1/4 - 20 X 5/8	11	15	F1693	TIE BAR RETAINER	19	46
F1502	HEX HD SCREW, 1/4 - 20 X 5/8	23	39	F1696	HEX BOLT 5/16 - 18 X 1 3/4	31	33
F1502	HEX SLOT HD SCREW, 1/4 - 20 X 5/8	3	20	F1696	HEX BOLT, S.S., 5/16 - 18 X 1 3/4	37	66
F15021-1	HEAD ASSEMBLY DRIVE END	11	5	F17006	DETENT SPRING	41	18
F15034	SPRING SET	11	19	F17009	BEARING	41	14
F15035	THRU BOLT PACKAGE	11	13	F17010-1	THROTTLE GEAR	41	16
F15038-1	BRUSH PLATE AND HOLDER	11	20	F17011	BOWED WASHER	41	15
F1504	FILL HD SCREW, 1/4 - 20 X 1 1/4	19	56	F17012	RETAINING PLATE	41	13
F1504	FILL HD SCREW, 1/4 - 20 X 1 1/4	23	12	F17013	FILL HD SCREW, 1/4 - 20 X 1/2	41	11
F15042	BRUSH TERMINAL SET	11	11	F17014	THROTTLE ARM	41	10
F15073	THRUST WASHER PACKAGE	11	8	F17015	COTTER PIN	41	8
F15080	SPRING	11	3	F17016	CABLE TERMINAL	41	9
F15099	ARMATURE	11	9	F17019	CLUTCH ARM	41	5
F15100	BENDIX	11	23	F17020	INTERNAL TOOTH LOCKWASHER	41	12
				F17021	CLUTCH GEAR	41	19
				F17026	SWIVEL	41	24
				F1703	SPRING LOCKWASHER	25	62
				F1703	SPRING LOCKWASHER	33	65

PARTS INDEX

Part Number	Description	Pg.	Ref. No.	Part Number	Description	Pg.	Ref. No.
F17030-1	SET SCREW	41	31	F18160-1	REED	23	28
F17031	SNAP CAP	41	28	F1822	HEX BOLT 5/16 - 18 X 7/8	33	69
F17036	INTERNAL TOOTH LOCKWASHER	41	6	F1832	STOP NUT, 1/4 - 20	25	59
F1704	INTERNAL TOOTH LOCKWASHER	21	99	F1836	SPRING PIN	33	57
F1705	HEX CAP SCREW, 1/4 - 20 X 3/4	7	23	F184033-1	CHOKE ARM SWIVEL	19	85
F1705	HEX CAP SCREW, S.S., 1/4 - 20 X 3/4	37	58	F184579	SEAL, CHOKE ARM SWIVEL	19	82
F17068	DETENT SPRING	43	37	F1849	HEX HD CAP SCREW, 1/4 - 20 X 1 3/8	5	47
F17082-1	DETENT BALL	43	38	F1849	HEX HD SCREW, 1/4 - 20 X 1 3/8	25	77
F1709	HEX HD SCREW, 1/4 - 20 X 1 1/8	25	76	F1851	FILL HD SCREW W/LOCKWASHER, 10 - 24 X 1/2	7	39
F17092	SNAP RING	41	21	F1854	HEX CAP SCREW, 1/4 - 20 X 5/8	3	25
F17099	HOUSING	43	36	F1857	HEX CAP SCREW, 5/16 - 18 X 5/8	3	23
F17100	CLUTCH SHAFT	41	20	F1857	HEX CAP SCREW, 5/16 - 18 X 5/8	3	35
F17101	DECAL, STARBOARD	41	27	F1858	HEX CAP SCREW, 5/16 - 18 X 1	3	24
F17105	FELT WASHER	41	33	F1860	SLOTTED BINDING HD SCREW, 6 - 32 X 1/4	17	1
F17106	COLLAR	41	34	F1864	HEX HD SCREW, 1/4 - 20 X 3/4	25	90
F17107	FILL HD SCREW, 10 - 24 X 5/16	41	22	F1864	HEX SLOT HD SCREW 1/4 - 20 X 3/4	31	4
F17111	DETENT BALL	41	17	F1867	HEX CAP SCREW, 3/8 - 16 X 1	29	19
F17112	JUNCTION BOARD, STARBOARD	41	26	F1868	HEX CAP SCREW, 3/8 - 16 X 3 1/4	11	16
F17113	JUNCTION BOARD, PORT	41	-	F1869	HEX BOLT, 3/8 - 16 X 1 1/4	25	61
F17115	HANDLE	41	30	F1871	HEX HD SCREW 3/8 - 16 X 3/4	33	61
F17116	KNOB	41	29	F1872	HEX BOLT, 3/8 - 16 X 1 3/4	27	99
F1713	SPRING PIN	35	42	F1873	HEX BOLT, 3/8 - 16 X 3	27	96
F1715	HEX BOLT, 1/4 - 28 X 9/16	41	7	F1877	TY-RAP	7	29
F1727	PLASTIC RIVET	23	16	F1883	HEX BOLT, 5/16 - 18 X 2 3/8	25	67
F1729	PLUG	31	5	F1885	HEX BOLT, 5/16 - 18 X 4 1/4	25	55
F1730	PAN HD SCREW W/SPRING LOCKWASHER, 1/4 - 20 X 5/8	5	44	F1904	PLAIN WASHER	31	20
F1733	PAN HD SCREW, 10 - 24 X 9/16	3	2	F1907	PLAIN WASHER	37	68
F1734	FILL HD SCREW W/LOCKWASHER, 1/4 - 20 X 1/2	7	14	F1910	STOP NUT, 1/4 - 20	17	31
F1741	PAN HD SCREW, 8 X 3/4	7	35	F19109	PLUG	25	73
F1744	SPRING PIN	33	45	F1912	HEX HD SCREW 10 - 24 X 1/2	33	59
F1753	FASTENER	3	38	F1916	HEX HD SCREW, 1/4 - 20 X 1 1/8	17	25
F1759	SHIM, DISTRIBUTOR (QTY. AS REQUIRED)	13	11	F1934	FLAT HD SLOTTED SCREW, 6 X 1/2	9	50
F1760	PAN HD SCREW, 10 - 24 X 3/8	7	19	F19342	SEAL	35	18
F1760	PAN HD SCREW, 10 - 24 X 3/8	13	25	F195/___	REMOTE CONTROL CABLES	48	-
F1760	PAN HD SCREW, 10 - 24 X 3/8	19	60	F1950	HEX HD SCREW, 10 - 24 X 5/8	25	81
F1760	PAN HD SCREW, 10 - 24 X 3/8	23	2	F1953	HEX HD SCREW, 1/4 - 20 X 1	21	94
F1773	HEX HD SCREW, 1/4 - 20 X 1 1/2	17	26	F1968	FLYWHEEL NUT	29	21
F177330	FUEL PUMP VALVE	17	9	F1975	SPRING LOCKWASHER	7	10
F177350	REVERSE LOCK PIN	31	41	F1975	SPRING LOCKWASHER	13	26
F1778	PLAIN WASHER	35	24	F197787-2	FUEL LINE COUPLER	39	6
F178323	SEAL, MOTOR LEG	31	13	F197813	BEARING	33	54
F17932	SEAL, FUEL TANK ADAPTER	39	12	F1987	PLAIN WASHER	25	66

PARTS INDEX

Part Number	Description	Pg.	Ref. No.	Part Number	Description	Pg.	Ref. No.
F1987	PLAIN WASHER	33	50	F316160	REED (4 PETAL)	17	18
F1994	HEX SOCKET HD CAP SCREW, 5/16 - 18 X 1	37	69	F316164	REED (1 PETAL)	17	-
F1997	STOP NUT, 8 - 32	17	40	F316165	STUD, GEAR HOUSING CENTER	35	25
F1999	HEX CAP SCREW, 1/4 - 20 X 7/8	23	42	F316555	SEAL	35	20
F2000	HEX CAP SCREW, 5/16 - 18 X 3/4	9	47	F316579	SEAL, CRANKCASE	29	11
F2001	FILL HD SCREW, 10 - 24 X 5/8	7	9	F316599	SEAL, GEAR HOUSING STUD, FRONT	35	28
F2008	HEX HD SCREW, 1/4 - 20 X 7/8	17	24	F321756	PACKING	3	31
F2014	PLAIN WASHER	13	9	F321841-2	LEAD WIRE W/GROMMET	13	32
F2014	PLAIN WASHER	33	62	F321872	BRACKET	25	49
F2015	HEX NUT, 1/4 - 28	23	19	F333316	THROTTLE ROLLER SHAFT	19	49
F2016	FILL HD SCREW, 6 - 32 X 7/8	21	101	F333392	PLATE, SIDE	3	8
F2027	HEX CAP SCREW, 5/16 - 18 X 3	9	46	F335068	THERMOSTAT	25	70
F2030	HEX HD SCREW 1/4 - 20 X 1 1/4	33	70	F335215	SPACER, PISTON PIN (2 PER PISTON)	29	3
F203276	BOOT	13	30	F335217-1	BEARING PISTON PIN (26 PER SET)	29	5
F2033	GROOVE PIN	19	87	F335654-1	DEFLECTION STOP	3	21
F203673	TERMINAL CLIP	13	31	F338618-1	SEAL, GEAR SHIFT ROD	31	16
F2042	PLAIN WASHER	23	5	F338618-1	SEAL, GEAR SHIFT ROD	35	13
F2047	WAVE SPRING WASHER	3	30	F345475-1	COIL	9	44
F2066	PAN HD TAPPING SCREW, 10 X 7/16	3	40	F345683	WIRE, REGULATOR- RECTIFIER GROUND	7	5
F2067	PLASTISOL CAP (NOT SHOWN)	29	-	F351307	SEAL, WATER PUMP	35	11
F2088	FASTENER	5	46	F353480	STUD	31	25
F2089	SLOTTED PAN HD MACHINE SCREW, 10 - 24 X 5/16	27	101	F369349	REVERSE LOCK	31	37
F2090	PLUG	25	64	F369364	REVERSE LOCK ARM	33	52
F2108	LOCK NUT 5/16 - 18	33	73	F369390-1	DECAL, REVERSE LOCK (NOT SHOWN)	33	-
F2108	STOP NUT, 5/16 - 18	25	58	F369510	LINK	31	39
F213274	GREASE FITTING	13	27	F369529	CYLINDER HEAD GASKET	25	74
F213274	GREASE FITTING	31	32	F369562	WATER PUMP BACK PLATE	35	6
F213342	SEAL, FUEL LINE COUPLER (LARGE)	39	4	F369610	BEARING	25	53
F213735	SEAL, FUEL LINE COUPLER (SMALL)	39	5	F369827	HANDLE AND SHAFT	33	53
F269319	BEARING	17	32	F369884	BEARING	33	58
F286461	SPRING, LOCK BAR HANDLE	31	43	F369887	SHOULDER SCREW	25	52
F289446-1	CLAMP	7	12	F369977-1	INTERLOCK ARM	25	54
F298788	FERRULE	39	7	F373512	PLATE, INSERT	3	11
F2A321158	REED PLATE W/REEDS, REED STOP AND SCREW	17	19	F373675-1	STARTER BRACKET, LOWER	11	17
F2A404757	CYLNDR DRAIN REED PLATE W/REEDS,STOPS, METERING CUP & SCREWS	23	27	F373778-1	RETAINER, ENGINE COVER	3	37
F2A481023	BEVEL GEAR FRONT W/BEARINGS	35	38	F381896-4	BATTERY CABLE	7	30
F304145-4	MOTOR LEG COVER, REAR	33	7	F381899	GROMMET, WATER LINE	37	61
F304244	INLET WATER LINE	37	62	F384143	BEARING, BEVEL GEAR REAR	35	45
F304705-1	GEAR SHIFT ROD LOWER	37	23	F391926-1	CHOKE SOLENOID PLUNGER	19	89
F307317	CLIP, TERMINAL BLOCK	7	17	F40209	CARBURETOR STUD	17	36
F310189	BUSHING, ELECTRIC CABLE	3	16	F40223	GASKET, TRANSFER PORT COVER	23	41
F311189-1	BUSHING, CABLE ENTRY	3	17	F40342	SEAL, PROPELLER NUT	37	54
				F404097	FLYWHEEL	7	1
				F404268	SPRING, BY-PASS VALVE	25	84
				F404446	CLAMP	7	27
				F404446	CLAMP	11	22
				F404449	THERMOSWITCH	25	88
				F404470-1	REGULATOR-RECTIFIER	7	8
				F404513	COIL CLAMP	7	40
				F404801	FITTING	23	36

PARTS INDEX

Part Number	Description	Pg.	Ref. No.	Part Number	Description	Pg.	Ref. No.
F404841	CABLE, HEAT INDICATOR . . .	7	37	F481662	BEVEL GEAR, REAR	37	46
F407446	CLAMP	7	31	F481774	BRACKET, ENGINE COVER LATCH	3	32
F409251-1	GAUGE CAP	39	1	F481777	CAM, LATCH SHAFT	3	28
F433114	HANDLE, LOCK BAR	31	44	F481836	INTAKE GASKET	19	70
F433209-1	STUD	17	30	F481860-1	CARBURETOR, INTAKE . . .	19	57
F433253	HOSE	23	37	F485755	FUEL TANK ADAPTER	39	3
F438065	WATER PUMP IMPELLER . . .	35	5	F498061-1	CARBURETOR COMPLETE (WB26B)	21	72
F438066	BY-PASS VALVE COVER	25	82	F499995	CYLINDER HEAD COVER . . .	25	68
F438077	SCREEN, WATER INLET	37	70	F50109	PLUG, GEAR HOUSING	35	14
F438129	SEAL, DRIVESHAFT SPLINE . .	35	12	F510374	DECAL, CIRCUIT BREAKER . .	7	41
F438165	SCREW, FUEL PUMP BOWL . . .	17	15	F510460	CIRCUIT BREAKER	7	22
F438169	BEARING	31	34	F511125-1	TUBE, STEERING SUPPORT . .	31	23
F438271	RETAINER, CRANKSHAFT SPLINE SEAL	35	4	F523280	NUT, STEERING SUPPORT TUBE	33	77
F438346	SHOCK MOUNT, LOWER	33	67	F53504	GROMMET	19	58
F438398	DECAL, WIRING	25	75	F58685-2	CONNECTOR, SHIFT CABLE . .	41	2
F438500	FUEL SEDIMENT BOWL	17	14	F590	SYNCHRO-DRIVE CONTROL HEAD (SINGLE LEVER) . . .	48	-
F438617	FUEL SEDIMENT BOWL GASKET	17	13	F63754	HOSE INTAKE DRAIN	19	63
F438653	FUEL SEDIMENT BOWL SCREEN	17	12	F7004	STOP NUT, 3/18 - 16	23	24
F438668	RETAINER, CABLE CLAMP . . .	7	13	F7012	LOCK NUT, 1/2 - 20	31	17
F438744-1	WIRING HARNESS	7	4	F7013	STOP NUT	13	2
F438747	FUEL PUMP DIAPHRAGM	17	7	F7025	HEX NUT, 3/8 - 16	35	16
F438754	FUEL LINE W/CLAMPS	19	79	F70H01	ANTI-CORROSION KIT	48	-
F438760	FUEL PUMP GASKET	17	8	F70H05	EXTENSION CABLE	49	-
F438801	FITTING	17	5	F71H02	ANTI-CORROSION SACRIFICIAL ANODE	48	-
F438930	RETAINER, SNOUT	37	71	F71H04	SPEEDOMETER FLUSH MOUNT	50	-
F438962	SHOCK MOUNT SIDE	31	15	F71H05	TEMPERATURE GAUGE FLUSH MOUNT	49	-
F438984-1	BLANKET, SILENCER TOP (NOT SHOWN)	5	-	F71H08	FUEL TANK (ACCESSORY ITEM)	39	2
F439736	SEAL EXHAUST TUBE	31	6	F71H08	STEEL, 6 GALLON FUEL TANK (LOW PROFILE)	48	-
F440015-2	PISTON	29	2	F71H10	SENDING UNIT	49	-
F460917	STARTER RELAY	7	26	F71H12	TANK ANCHOR	48	-
F461	SHOCK ABSORBER KIT	48	-	F71H20	CIGAR LIGHTER	49	-
F463366	NAME "CHRYSLER"	3	9	F71H21	IGNITION SWITCH MOUNTING KIT (ACCESSORY ITEM)	9	49
F474073	CLAMP SCREW	31	26	F71H23	STEEL, 12 GALLON FUEL TANK	48	-
F474387	TIMING DECAL (NOT SHOWN)	9	-	F71H26	BATTERY CABLE CLAMP KIT, (ACCESSORY ITEM) . . .	7	32
F476066-1	COVER, THERMOSTAT	25	47	F71H26	BATTERY TERMINAL KIT . . .	49	-
F476067	GASKET, THERMOSTAT COVER	27	94	F71H30	OVERHEAT BUZZER	48	-
F480038-2	SUPPORT PLATE	3	15	F71H30	OVERHEAT BUZZER (ACCESSORY ITEM)	7	36
F480107-1	CAM, STARTER INTERLOCK . . .	27	102	F71H32	TILT STOP KIT	48	-
F480386	PLATE, REAR	3	5	F71H34	POWER TRIM	50	-
F480388	DISC, WATER PUMP LOCATING	37	74	F72H08	HYDRAULIC TILT	49	-
F480518	CYLINDER HEAD	25	72	F72H22	POWER TRIM INDICATOR . . .	48	-
F480551-1	BRACKET INTERLOCK SWITCH	21	95	F72H36	REMOTE CONTROL UNIT COMPLETE (SINGLE LEVER STARBOARD)	43	39
F480711	PLATE, ENGINE COVER FRONT	3	42	F72H36	SYNCHRO-DRIVE CONTROL BOX (SINGLE LEVER	48	-
F480818	BEARING, LATCH SHAFT	3	13				
F480985	BLANKET, SILENCER SIDE (NOT SHOWN)	5	-				
F481061-1	CARBURETOR COMPLETE (WB21B)	21	72				
F481382-1	SPACER, LATCH SHAFT	3	29				
F481434	GUIDE, ENGINE COVER	5	45				

PARTS INDEX

Part Number	Description	Pg.	Ref. No.	Part Number	Description	Pg.	Ref. No.
F72H66	EXHAUST SNOOT	48	-	F84342	SEAL, INLET WATER LINE, UPPER	37	60
F73H09	RFI SUPPRESSION KIT	48	-	F84449	INTERLOCK SWITCH	21	98
F73H11	REMOTE ELECTRIC CABLE	49	-	F84504	GROMMET	25	71
F74H01	VOLTMETER - FLUSH MOUNT	49	-	F84521-1	CLUTCH	35	41
F74H09	TACHOMETER FLUSH MOUNT	50	-	F84717	THRUST WASHER, BEVEL GEAR, REAR	37	72
F74H19	IGNITION KEY SWITCH	49	-	F84792	GASKET, FUEL PUMP VALVE	17	10
F74H20	IGNITION KEY SWITCH	49	-	F84991-1	GROMMET	15	45
F74H20	IGNITION SWITCH (LONG BARREL) W/KEYS AND SCREWS	7	34	F84991-1	GROMMET	23	3
F75H09	BATTERY CABLE	49	-	F85006-1	STUD, GEAR HOUSING, FRONT	35	27
F762	REMOTE ELECTRIC CABLE	49	-	F85012	PILOT, GEAR HOUSING	35	29
F794	WATER PUMP KIT	50	-	F85017	PISTON PIN	29	4
F8001	WASHER	35	31	F85026	SWIVEL	23	21
F8003	PLAIN WASHER	23	30	F85033	CHOKE ROD SWIVEL	19	81
F8011	PLAIN WASHER	7	20	F85035	DISTRIBUTOR CONTROL ROD END	23	20
F8028	PLAIN WASHER	11	7	F85036	TOWERSHAFT CONTROL ROD END	23	17
F8056	LOCKWASHER	13	18	F85037-1	STERN BRACKET PIVOT BOLT	33	46
F8056	LOCKWASHER	13	43	F85095-2	STATOR	7	3
F8056	SPRING LOCKWASHER	7	7	F85117	BRACKET, WATER LINE	37	59
F8056	SPRING LOCKWASHER	25	87	F85122	PARTING LINE SEAL	27	93
F8058	INTERNAL TOOTH LOCKWASHER	17	27	F85130	BOOT, IDLE EXHAUST	31	9
F8058	INTERNAL TOOTH LOCKWASHER	25	48	F85151-1	EXHAUST PORT PLATE	25	80
F8060	LOCKWASHER	11	14	F85152-4	EXHAUST PORT COVER	25	78
F8077	WASHER, GEAR HOUSING PLUG	35	15	F85154-1	GASKET, EXHAUST PORT PLATE	25	79
F8083	SPRING LOCKWASHER	3	26	F85159	GASKET, INTAKE MANIFOLD	17	22
F8083	SPRING LOCKWASHER	9	43	F85161-1	REED STOP	17	17
F8083	SPRING LOCKWASHER	31	3	F85162	REED PLATE ADAPTER	17	21
F8088	PLAIN WASHER	19	83	F85168	GASKET REED PLATE ADAPTER	17	20
F8088	PLAIN WASHER	21	102	F85173	RETAINING RING	13	6
F8094	PLAIN WASHER	3	27	F85192-1	THROTTLE CAM	17	33
F8094	PLAIN WASHER	33	55	F85210	STUD	27	91
F8096	SPRING LOCKWASHER	3	22	F85211	STUD, REAR	23	46
F8096	SPRING LOCKWASHER	3	34	F85244	INLET WATER LINE	37	62
F8096	SPRING LOCKWASHER	7	25	F85253-1	FUEL LINE W/CLAMPS	19	88
F8096	SPRING LOCKWASHER	33	68	F85258	INSERT	31	10
F8096	SPRING LOCKWASHER, S.S.	37	65	F85279-2	CYLINDER EXHAUST GASKET, UPPER	25	51
F84008-3	STUD, GEAR HOUSING, REAR	35	37	F85300	REVERSE LOCK SPRING	31	38
F84011	WASHER	33	51	F85311	DISTRIBUTOR BELT	13	1
F84031	GASKET, WATER PUMP	35	7	F85314-1	FUEL FITTING	21	92
F84074	CLAMP SCREW FOOT	31	24	F85317-1	CLAMP	19	90
F84118	SEAL, PROPELLER SHAFT	37	51	F85350-1	TILT STOP PIVOT	31	29
F84146-2	SEAL	29	13	F8537	SPRING PIN	31	27
F84146-2	SEAL	29	20	F85372	PIN, GEAR SHIFT ROD LOWER	35	21
F84173	RETAINING RING	35	9	F85380	SPRING	31	11
F84215	SPACER	35	17	F85410	SNAP RING	29	8
F84278	SEAL, CRANKSHAFT BEARING CAGE	29	17	F85426	TILT STOP	33	48
F84286-1	FRICTION WASHER	33	47	F85445	DISTRIBUTOR CONTROL ROD	23	18
F84305	SEAL, PROPELLER SHAFT BEARING CAGE	37	50	F85453-1	GASKET, EXHAUST LOWER	31	1
F84307-1	SEAL, DRIVESHAFT	35	8	F8547	SPRING PIN	31	40
F84314-2	ELBOW	17	3				
F84314-2	ELBOW	23	22				

PARTS INDEX

Part Number	Description	Pg.	Ref. No.	Part Number	Description	Pg.	Ref. No.
F85472-2	GASKET, CYLINDER DRAIN COVER	23	32	FA438493	TERMINAL BLOCK BRACKET	7	11
F85498	FLYWHEEL KEY	29	16	FA439746	FUEL PUMP COVER	17	6
F85502	THROTTLE LINK	23	8	FA440260	PISTON RING SET (4 PER SET)	29	1
F85509-1	CHOKE LINK	19	78	FA467892	INSERT, PLATE FRONT - U.S.A.	3	41
F85541-1	TILT LOCK	31	30	FA467893	INSERT, PLATE FRONT - CANADA	3	-
F85571	BEARING CAGE W/ROLLER	29	10	FA480188	NUT, BEVEL PINION RETAINING	35	33
F85606	KINGPIN CAP	31	31	FA480309	DISTRIBUTOR	15	-
F85610	BEARING	25	56	FA480385	INSERT, SIDE PLATE	5	10
F85615	GEAR SHIFT ROD UPPER	33	72	FA480528	INSERT, REAR PLATE	5	4
F8563	DOWEL PIN	27	92	FA480876	GEAR SHIFT ARM W/SWIVEL, INTERLOCK ARM AND BEARINGS	25	57
F85634-1	CONNECTING ROD SCREW	29	14	FA480894	TIMING POINTER	23	1
F85660-1	EXHAUST TUBE	31	2	FA481266	BEVEL PINION GEAR W/BEARING	35	35
F85664	DISTRIBUTOR GROUND	13	28	FA481385	INSERT, SIDE PLATE	5	10
F85704	COUPLER, GEARSHIFT ROD UPPER	33	76	FA481469	ENGINE COVER LATCH HANDLE W/SHAFT	3	12
F85705-1	GEAR SHIFT ROD LOWER	37	23	FA481528	INSERT, REAR PLATE	5	4
F85735-1	SEAL	3	39	FA481743	LATCH, ROLLER BRACKET	3	33
F85748-2	GASKET, CYLINDER DRAIN REED PLATE	23	25	FA510497	TERMINAL BLOCK	7	15
F85762	GASKET, BY-PASS VALVE	25	83	FA523735	SEAL, INLET WATER LINE, LOWER	35	1
F85772	CLAMP	31	12	FA58976-1	CONNECTOR, THROTTLE CABLE	41	1
F85779-1	BAFFLE, AIR INTAKE	33	60	FA77395-5	IDENTIFICATION PLATE W/SCREWS FOR U.S.A MODELS	3	18
F85843-1	REMOTE ELECTRIC CABLE, 18 FEET	7	38	FA84225	BEARING W/CUP	37	47
F85859	STUD, FORWARD	23	23	FA84298-3	PROPELLER SHAFT BEARING CAGE	37	52
F85906	CARBURETOR GASKET	17	35	FA84621-1	COUPLING, GEAR SHIFT ARM W/BUSHING	35	26
F85908	STARTER LEAD WIRE	11	21	FA84754-1	FUEL LINE SHORT W/FERRULES	39	8
F85916-1	BY-PASS VALVE	25	85	FA84871-1	PIN, GEAR SHIFT W/YOKE	35	40
F85924	CHOKE SOLENOID	7	28	FA85018-2	CRANKSHAFT W/BEARING	29	15
F85925	CHOKE ROD	19	86	FA85019	KINGPIN W/PLUG	31	35
F85965	SHOCK MOUNT, UPPER	33	64	FA85193	TIE BAR END W/SWIVEL	17	43
F861	FLUSHING ADAPTER	48	-	FA85355-1	WASHER SHOCK MOUNT UPPER	33	63
F862	STEEL, 6 GALLON FUEL	48	-	FA85511	THROTTLE TIE BAR W/SWIVEL	19	44
F89758	FUEL PUMP AIR HOSE, TOP	17	4	FA85655-1	CRANKSHAFT MAIN BEARING RACE W/SNAP RING	29	9
F9018	CAP	31	28	FA85838-5	TOWERSHAFT W/BEARINGS, SWIVEL, ARMS AND SCREW	23	10
F9038	DRIVE KEY, WATER PUMP	37	64	FA98689	BEARING, TOWERSHAFT	25	60
F9052	PLUG	33	74	FC481054	GEAR HOUSING COMPLETE.	37	-
F90807	RETAINING RING	19	47	FG460-1	GASKET SET (NOT SHOWN)	27	-
F90891	PIN, GEAR SHIFT ARM	35	30	FK17114-1	INDICATOR	41	32
F91446-1	CIRCUIT BREAKER BRACKET	7	21	FK280	PROPELLER PIN	35	44
F92759	THROTTLE ROLLER	19	48				
F93811	SCREEN	23	26				
F93920	REED STOP	23	29				
F97772	FUEL LINE CLAMP	39	11				
F97772	HOSE CLAMP	19	62				
F98273	ROD END CONNECTOR STUD	25	50				
FA15072	HEX LOCK NUT, 1/4 - 20	11	12				
FA321574	DISTRIBUTOR BRACKET	13	10				
FA335260	PISTON RING SET (3 PER SET)	29	1				
FA40901	BEARING, DRIVESHAFT W/CUP	35	10				
FA411222	TRANSFER PORT COVER W/PLUG	23	40				
FA438113	STERN BRACKET LOCK BAR W/HANDLE	31	42				

PARTS INDEX

Part Number	Description	Pg.	Ref. No.	Part Number	Description	Pg.	Ref. No.
FK500060	WATER PUMP BODY	35	3	FS480269	TILT HANDLE	3	3
FK750-1	SPARKIE W/SPRING	15	44	FS480888	TRIM, FRONT	3	43
FK85128-1	DRIVESHAFT	37	63	FSA335260	PISTON RINGS (3 PER SET) .010 OVERSIZE (NOT SHOWN)	29	-
FK85228	BEARING CAGE W/ROLLER	29	7	FT2953	SOCKET	45	-
FO10165	INLET SEAT GASKET	19	75	FT2981A	TEST WHEEL	47	-
FO10588	BODY CHANNEL CUP PLUG	17	39	FT2990	PISTON PIN TOOL	45	-
FO10790	INLET NEEDLE, SEAT AND GASKET	19	76	FT2992	GAUGE	46	-
FO11103	IDLE SCREW SPRING	19	53	FT2993	PROPELLER SHAFT BEARING CAGE PULLER	46	-
FO13552	FUEL BOWL	19	67	FT2995	FORWARD BEARING CUP REMOVER	46	-
FO13554	FLOAT	19	69	FT2996	RING COMPRESSOR	45	-
FO13555	CHOKE SHUTTER	21	77	FT8901	INDICATOR HOLDER	46	-
FO13944	FLOAT LEVER PIN	19	68	FT8902	DIAL INDICATOR	46	-
FO13945	FUEL BOWL RETAINING SCREW	19	65	FT8903	SEAL PROTECTOR	45	-
FO13946	IDLE SCREW	21	54	FT8905	DRIVESHAFT BEARING REMOVER	46	-
FO13947	CHOKE SHAFT RETURN SPRING	21	73	FT8906	PROPELLER SHAFT BEARING SUPPORT	46	-
FO13966	IDLE TUBE, FOR 75 H.P. ENGINE CARBURETORS ONLY	17	34	FT8907	DRIVE HANDLE	45	-
FO14166	IDLE SCREW	21	54	FT8907	DRIVER HANDLE	46	-
FO14167	THROTTLE SHUTTER	21	42	FT8908	PROPELLER SHAFT SEAL INSTALLER	46	-
FO14188	MAIN FUEL JET (.066)	21	52	FT8909	FORWARD BEARING CUP INSTALLER	46	-
FO14303	MAIN FUEL JET (.074)	21	52	FT8910	REAR BEARING CUP INSTALLER	46	-
FO14471	CHOKE SHUTTER	21	77	FT8911	DRIVESHAFT KNOCK-OFF NUT	46	-
FO15209	MAIN NOZZLE	21	93	FT8914	SEAL REMOVER	45	-
FO15217	MAIN NOZZLE	21	93	FT8915	PROPELLER SHAFT SEAL PROTECTOR	46	-
FO15230	THROTTLE SHAFT AND LEVER	19	50	FT8916	PROPELLER SHAFT BEARING INSTALLER	46	-
FO15623	FUEL BOWL GASKET	19	71	FT8917	REAR BEARING CUP REMOVER	46	-
FO16008	THROTTLE SHAFT RETURN SPRING	19	51	FT8918	BEARING GUIDE SET	46	-
FO16397	CHOKE SHAFT RETURN SPRING	21	73	FT8919	SPRING PIN PUNCH	46	-
FO16850	CHOKE SHAFT AND LEVER	19	74	FT8920	DRIVESHAFT BEARING INSTALLER	46	-
FO16851	THROTTLE SHUTTER	21	42	FT8922	SLIDE HAMMER	45	-
FO2510	GASKET, FUEL BOWL RETAINING SCREW	19	66	FT8924-1	CHECKING GAUGE	46	-
FO4326	BODY CHANNEL WELCH PLUG	17	38	FT8925	DRIVESHAFT SEAL INSTALLER	46	-
FO8942	SHUTTER SCREW W/LOCKWASHER	17	41	FT8926	RING EXPANDER	45	-
FO8942	THROTTLE SHUTTER SCREW AND LOCKWASHER	21	96	FT8927	SEAL PROTECTOR	45	-
FP372	PROPELLER (ACCESSORY ITEM) FOR 75 H.P. ENGINES	37	53	FT8933	LIFTING HOOK	47	-
FP383	PROPELLER (ACCESSORY ITEM) FOR 90 H.P. ENGINES	37	-	FT8948-1	FLYWHEEL PULLER	44	-
FS409752	FUEL LINE COMPLETE (NOT SHOWN)	39	-	FT8950	LEAKAGE TESTER	47	-
FS438955	STARTER COMPLETE	11	-	FT8957	SEAL INSTALLER	46	-
FS440260	PISTON RINGS (4 PER SET) .010 OVERSIZE (NOT SHOWN)	29	-	FT8961A	TEST WHEEL	47	-
FS480179	TRIM, TOP	3	1	FTA2937-1	TIMING TOOL	44	-
FS480180	TRIM, REAR	3	6	K304128-1	DRIVESHAFT	37	63
				T8974	BREAKER POINT TENSION GAUGE	47	-
				11-817784A1	PROPELLER NUT W/COTTER PIN AND SEAL	37	55
				22-817789A1	DRAIN FITTING	19	64

PARTS INDEX

Part Number	Description	Pg.	Ref. No.	Part Number	Description	Pg.	Ref. No.
22-818103--1	ELBOW	19	61				
30-F284659-2	CRANKSHAFT THRUST BEARING UPPER	29	22				
31-817785A2	CRANKSHAFT BEARING CAGE W/SEAL	29	18				
31-FA523014	CRANKSHAFT LOWER MAIN BEARING W/SEAL	29	12				
32-817738A1	FUEL LINE LONG W/CLAMP AND FERRULE	39	10				
33-97180	SPARK PLUG (CHAMPION L-20-V)	25	65				
39-818110A1	PISTON RINGS (3 PER SET) .030 OVERSIZE (NOT SHOWN)	29	-				
39-818117A1	PISTON RING SET (4 PER SET) .030 OVERSIZE (NOT SHOWN)	29	-				
84-817775A1	COIL WIRE W/TERMINAL CLIP	13	29				
300-817855A1	UNIT	9	45				
600-818052A4	CONNECTING ROD W/CAP AND SCREWS	29	6				
700-817988A2	PISTON .010 OVERSIZE (NOT SHOWN)	29	-				
700-817991A2	PISTON .010 OVERSIZE (NOT SHOWN)	29	-				
700-818111A2	PISTON .030 OVERSIZE (NOT SHOWN)	29	-				
700-818116A2	PISTON .030 OVERSIZE (NOT SHOWN)	29	-				
700-F372015-3	PISTON	29	2				
800-817823A7	CYLINDER ASSEMBLY	27	89				
800-817901A9	SHORT BLOCK	27	-				
1400-817958A6	STERN BRACKET	31	19				
1600-817767A2	GEAR HOUSING LOWER W/PLUG AND WASHER	35	32				