



PARTS CATALOG

105/120/135 H.P.

SERIAL NUMBER

| | |
|------------------|--------|
| 105 (1977) | 1059BG |
| 105 (1977) | 1059HG |
| 120 (1977) | 1209BG |
| 120 (1977) | 1209HG |
| 135 (1977) | 1359BG |
| 135 (1977) | 1359HG |

TABLE OF CONTENTS:

| | |
|---|----|
| ACCESSORIES | 54 |
| CARBURETOR 105 AND 120 H.P. ENGINES | 16 |
| CARBURETOR 135 H.P. ENGINES | 20 |
| CRANKSHAFT AND PISTON GROUP | 34 |
| DISTRIBUTOR | 12 |
| ELECTRICAL COMPONENTS | 6 |
| ENGINE COVER AND SUPPORT PLATE | 2 |
| FUEL PUMP AND REED PLATE | 24 |
| FUEL TANK AND LINE | 44 |
| GEAR HOUSING | 40 |
| LUBRICATION CHART | 58 |
| MOTOR LEG | 36 |
| PARTS INDEX | 60 |
| POWER HEAD | 28 |
| REMOTE CONTROL | 46 |
| SPECIAL ADJUSTMENTS | 59 |
| SPECIAL TOOLS - GEAR HOUSING | 52 |
| SPECIAL TOOLS - POWER HEAD | 51 |
| SPECIAL TOOLS - TEST EQUIPMENT | 53 |
| SPECIAL TOOLS - TUNE-UP | 50 |
| SPECIFICATIONS | 57 |
| STARTER | 10 |

NOTE: Indented description indicate that these parts are included in preceding assembly.

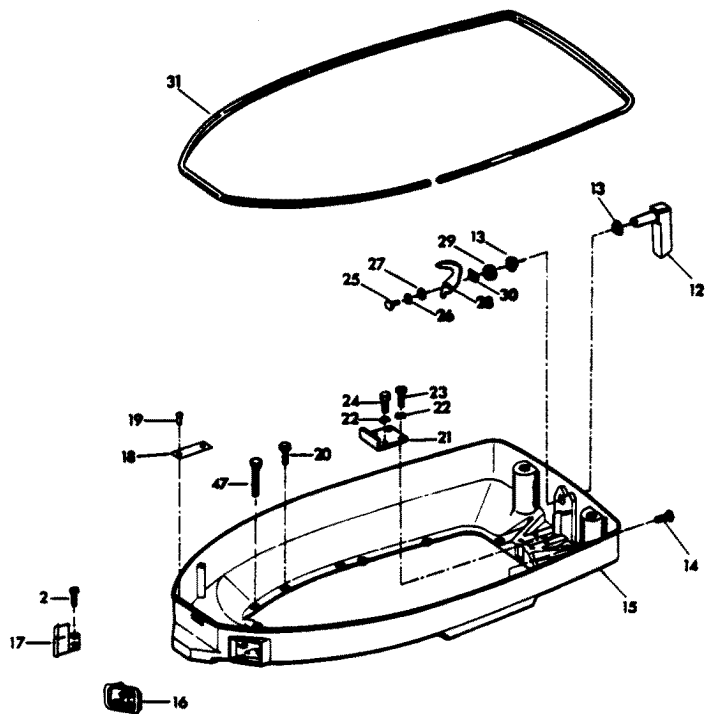
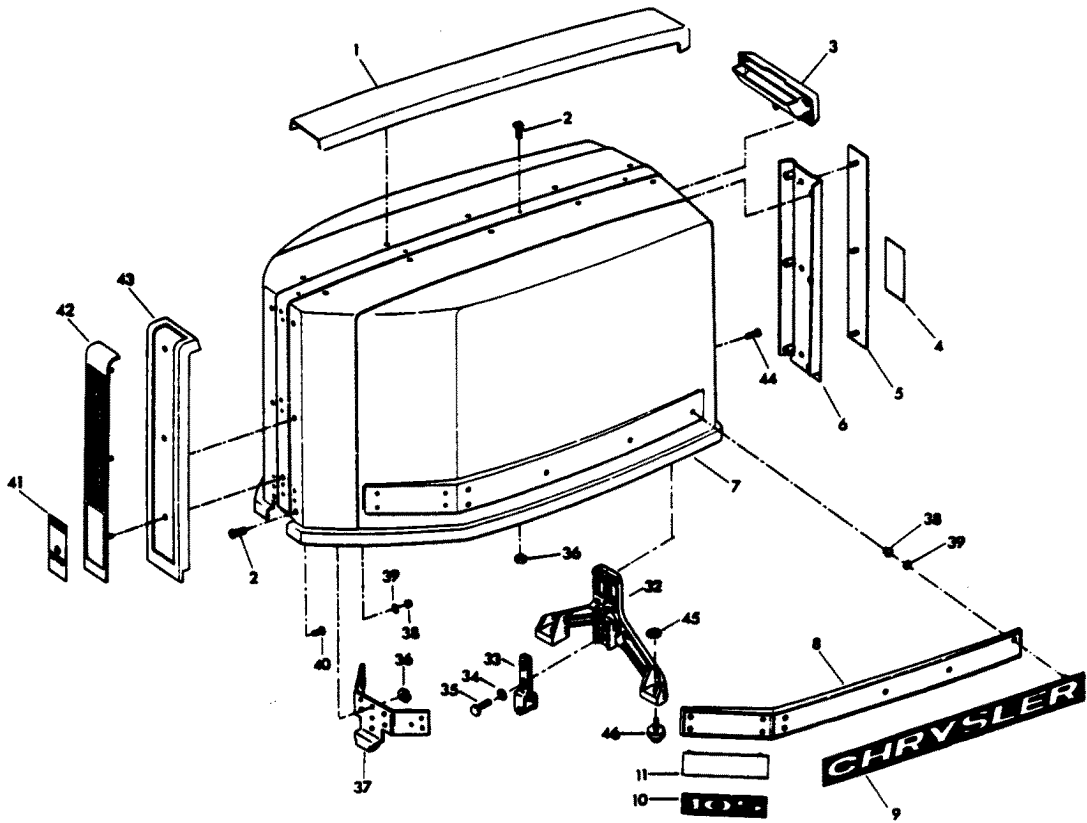
AR = As Required
OPT = Optional

NSS = Not Sold Separate
NS = Not Shown

THESE PARTS BOOKS/FICHE CARD ARE COPYRIGHTED AND MAY NOT BE DISTRIBUTED OR REPRODUCED IN ANY OTHER FORMAT BY ANYONE OTHER THAN MERCURY MARINE WITHOUT THE PRIOR WRITTEN CONSENT OF MERCURY MARINE.

THIS PAGE INTENTIONALLY LEFT BLANK

ENGINE COVER AND SUPPORT PLATE

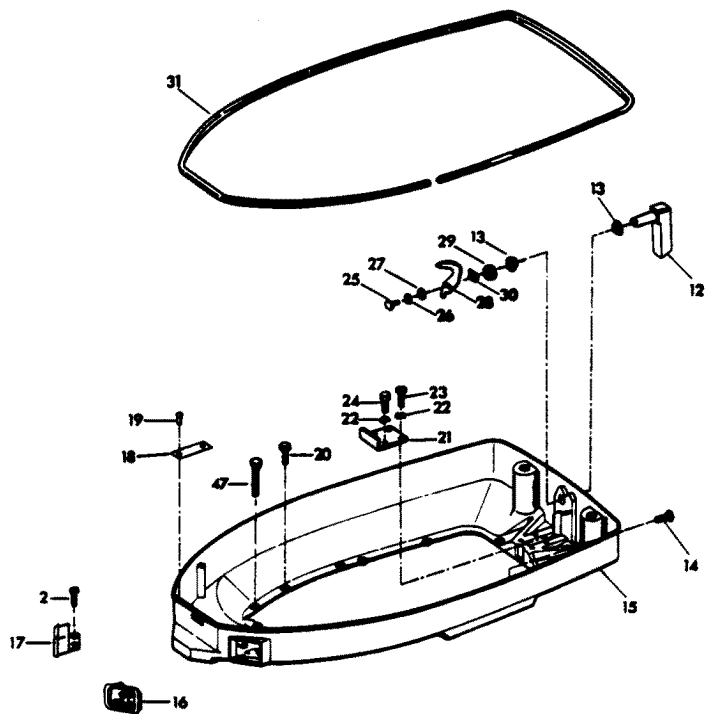
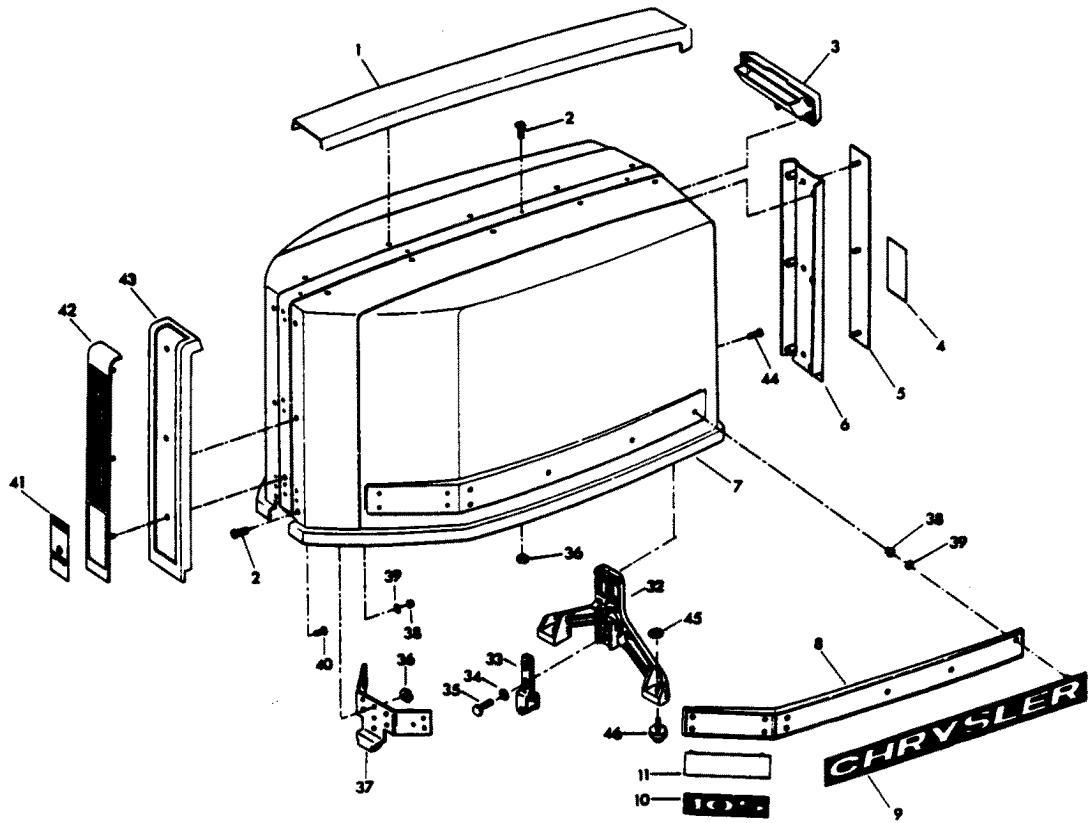


ENGINE COVER AND SUPPORT PLATE

| REF. NO. | PART NO. | SYM. | QTY. | DESCRIPTION |
|----------|------------------|------|----------|--|
| 1 | FS480179 | | 1 | TRIM TOP |
| 2 | F1733 | | 10 | PAN HD MACHINE SCREW, 10 - 24 X 9/16 |
| 3 | FS480269 | | 1 | TILT HANDLE |
| 5 | F489386 | | 1 | PLATE REAR |
| 6 | FS489180 | | 1 | TRIM REAR |
| 7 | FA489944 | | 1 | ENGINE COVER W/RETAINER, SCREWS AND NUTS |
| 8 | F333392 | | 2 | PLATE SIDE |
| 9 | F463366 | | 2 | NAME "CHRYSLER" |
| 11 | F373512 | | 2 | PLATE INSERT |
| 12 | FA481469 | | 1 | HANDLE W/SHAFT |
| 13 | F480818 | | 2 | BEARING |
| 14 | F1238 | | 6 | HEX CAP SCREW, 1/4 - 20 X 3/4 |
| 15 | F480038-2 | | 1 | SUPPORT PLATE |
| 16 | F310189 | | 1 | BUSHING, ELECTRIC CABLE |
| 17 | F311189-1 | | 1 | BUSHING, CABLE ENTRY |
| 18 | FA77395-5 | | 1 | IDENTIFICATION PLATE W/SCREWS FOR U.S.A. MODELS |
| - | AC16395-7 | | 1 | IDENTIFICATION PLATE W/SCREWS FOR CANADA MODELS |
| 19 | F1293 | | 2 | ROUND HD SCREWS, 2 X 3/16 |
| 20 | F1502 | | 5 | HEX CAP SCREW, 1/4 - 20 X 5/8 |
| 21 | F335654-1 | | 1 | DEFLECTION STOP |
| 22 | F8096 | | 4 | SPRING LOCKWASHER |
| 23 | F1857 | | 2 | HEX CAP SCREW, 5/16 - 18 X 5/8 |
| 24 | F1858 | | 2 | HEX CAP SCREW, 5/16 - 18 X 1 |
| 25 | F1854 | | 1 | HEX CAP SCREW, 1/4 - 20 X 5/8 |
| 26 | F8083 | | 1 | SPRING LOCKWASHER |
| 27 | F8094 | | 1 | PLAIN WASHER |
| 28 | F481777 | | 1 | CAM, LATCH |
| 29 | F481382-1 | | 1 | SPACER, LATCH SHAFT |
| 30 | F2047 | | 1 | WAVE SPRING LOCKWASHER |
| 31 | F321756 | | 1 | PACKING, COVER |
| 32 | F481774 | | 1 | BRACKET, COVER LATCH |
| 33 | FA481743 | | 1 | ROLLER BRACKET |
| 34 | F8096 | | 2 | SPRING LOCKWASHER |
| 35 | F1857 | | 2 | HEX CAP SCREW, 5/16 - 18 X 5/8 |
| 36 | F1473 | | 7 | HEX NUT |
| 37 | F373778-1 | | 1 | RETAINER, ENGINE COVER |
| 38 | F1753 | | 25 | FASTENER |
| 39 | F85735-1 | | 25 | SEAL |
| 40 | F2066 | | 30 | PAN HD TAPPING SCREW, 10 X 7/16 (TRIM TO COVER) |
| 41 | FA467892 | | 1 | INSERT PLATE FRONT - U.S.A. |
| - | FA467893 | | 1 | INSERT PLATE FRONT - CANADA |
| 42 | F489711 | | 1 | PLATE, ENGINE COVER FRONT |
| 43 | FS489888 | | 1 | TRIM FRONT |

CONTINUED ON NEXT PAGE ➡

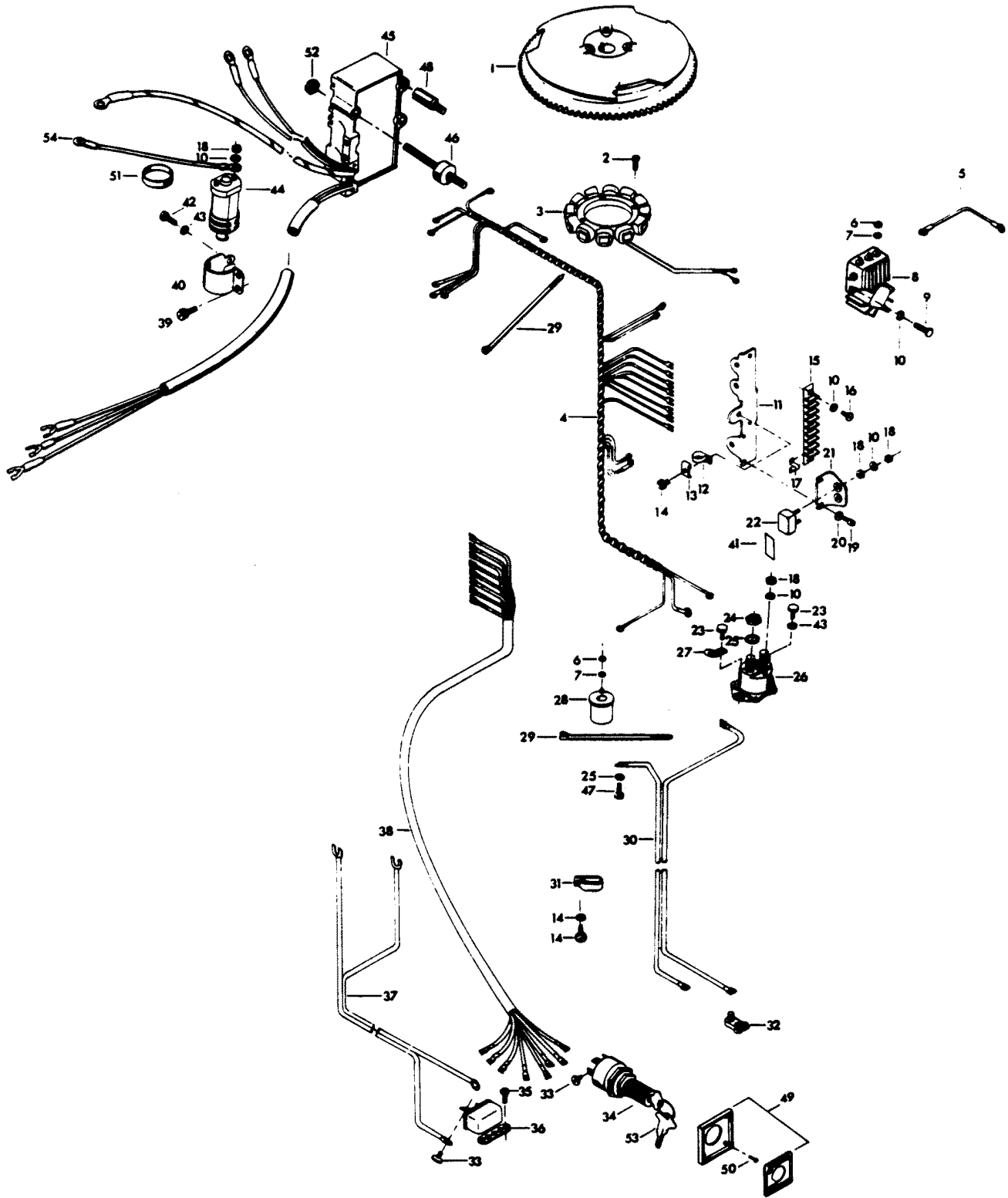
ENGINE COVER AND SUPPORT PLATE



ENGINE COVER AND SUPPORT PLATE

| REF. NO. | PART NO. | SYM. | QTY. | DESCRIPTION |
|----------|------------------|------|----------|--|
| 44 | F1730 | | 4 | PAN HD SCREW W/SPRING LOCKWASHER, 1/4 - 20 X 5/8 |
| 45 | F2088 | | 2 | FASTENER |
| 46 | F481434 | | 2 | GUIDE, ENGINE COVER |
| 47 | F1849 | | 2 | HEX HD CAP SCREW, 1/4 - 20 X 1 3/8 |
| - | F438984-1 | | 1 | BLANKET, SILENCER TOP (NOT SHOWN) |
| - | F489985 | | 2 | BLANKET, SILENCER SIDE (NOT SHOWN) |
| 4 | FA489528 | | 1 | INSERT, PLATE REAR |
| 10 | FA489385 | | 2 | INSERT, PLATE SIDE |
| 4 | FA490528 | | 1 | INSERT, PLATE REAR |
| 10 | FA490385 | | 2 | INSERT, PLATE SIDE |
| 4 | FA491528 | | 1 | INSERT, PLATE REAR |
| 10 | FA491385 | | 2 | INSERT, PLATE SIDE |

ELECTRICAL COMPONENTS

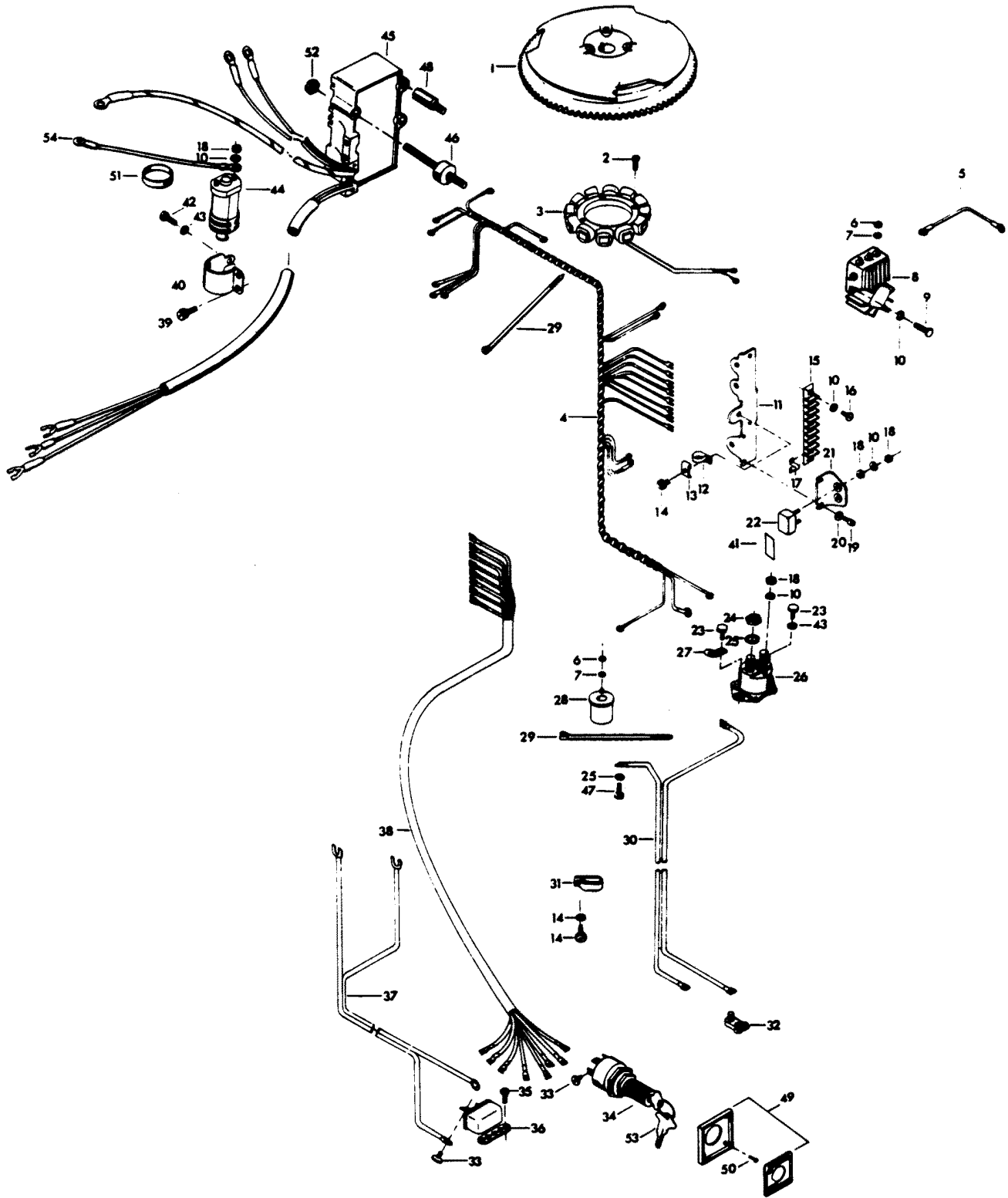


ELECTRICAL COMPONENTS

| REF. NO. | PART NO. | SYM. | QTY. | DESCRIPTION |
|----------|-----------|------|------|--|
| 1 | F404097 | | 1 | FLYWHEEL |
| 2 | F1678 | | 6 | FILL HD SCREW, 10 - 24 X 13/16 |
| 3 | F85095-2 | | 1 | STATOR |
| 4 | F438744-1 | | 1 | WIRING HARNESS |
| 5 | F345683 | | 1 | WIRE, REGULATOR RECTIFIER GROUND |
| 6 | F1647 | | 5 | HEX NUT, 8 - 32 |
| 7 | F8056 | | 5 | SPRING LOCKWASHER |
| 8 | F404470-1 | | 1 | REGULATOR-RECTIFIER |
| 9 | F2001 | | 3 | FILL HD SCREW, 10 - 24 X 5/8 |
| 10 | F1975 | | 9 | SPRING LOCKWASHER |
| 11 | FA438493 | | 1 | TERMINAL BLOCK BRACKET |
| 12 | F289446-1 | | 1 | CLAMP |
| 13 | F438668 | | 1 | RETAINER, CABLE CLAMP |
| 14 | F1734 | | 2 | FILL HD SCREW W/LOCKWASHER, 1/4 - 20 X 1/2 |
| 15 | FA510497 | | 1 | TERMINAL BLOCK |
| 16 | F1648 | | 2 | PAN HD SCREW, 10 - 24 X 3/4 |
| 17 | F307317 | | 1 | CLIP, TERMINAL BLOCK |
| 18 | F1513 | | 8 | HEX NUT |
| 19 | F1760 | | 2 | PAN HD SCREW, 10 - 24 X 3/8 |
| 20 | F8011 | | 2 | PLAIN WASHER |
| 21 | F91446-1 | | 1 | CIRCUIT BREAKER BRACKET |
| 22 | F510460 | | 1 | CIRCUIT BREAKER |
| 23 | F1705 | | 2 | HEX CAP SCREW, 1/4 - 20 X 3/4 |
| 24 | F1615 | | 2 | HEX NUT |
| 25 | F8096 | | 3 | SPRING LOCKWASHER |
| 26 | F460917 | | 1 | STARTER RELAY |
| 27 | F404446 | | 1 | CLAMP |
| 28 | F85924 | | 1 | CHOKE SOLENOID |
| 29 | F1877 | | 2 | TY-RAP |
| 30 | F381896-4 | | 1 | BATTERY CABLE |
| 31 | F407446 | | 1 | CLAMP |
| 32 | F71H26 | | 1 | BATTERY CABLE CLAMP KIT (ACCESSORY ITEM) |
| 33 | F1280 | | 7 | PAN HD SCREW, 8 - 32 X 1/4 |
| 34 | F74H20 | | 1 | IGNITION SWITCH (LONG BARREL) W/KEYS AND SCREWS (ACCESSORY ITEM) |
| 35 | F1741 | | 2 | PAN HD SCREW, 8 X 3/4 |
| 36 | F71H30 | | 1 | OVERHEAT BUZZER (ACCESSORY ITEM) |
| 37 | F404841 | | 1 | CABLE, HEAT INDICATOR |
| 38 | F85843-1 | | 1 | REMOTE ELECTRIC CABLE, 18 FEET |
| 39 | F1851 | | 2 | FILL HD SCREW W/LOCKWASHER, 10 - 24 X 1/2 |
| 40 | F404513 | | 1 | COIL CLAMP |
| 41 | F510374 | | 1 | DECAL, CIRCUIT BREAKER |
| 42 | F1689 | | 1 | HEX HD CAP SCREW, 1/4 - 20 X 1/2 |

CONTINUED ON NEXT PAGE ➡

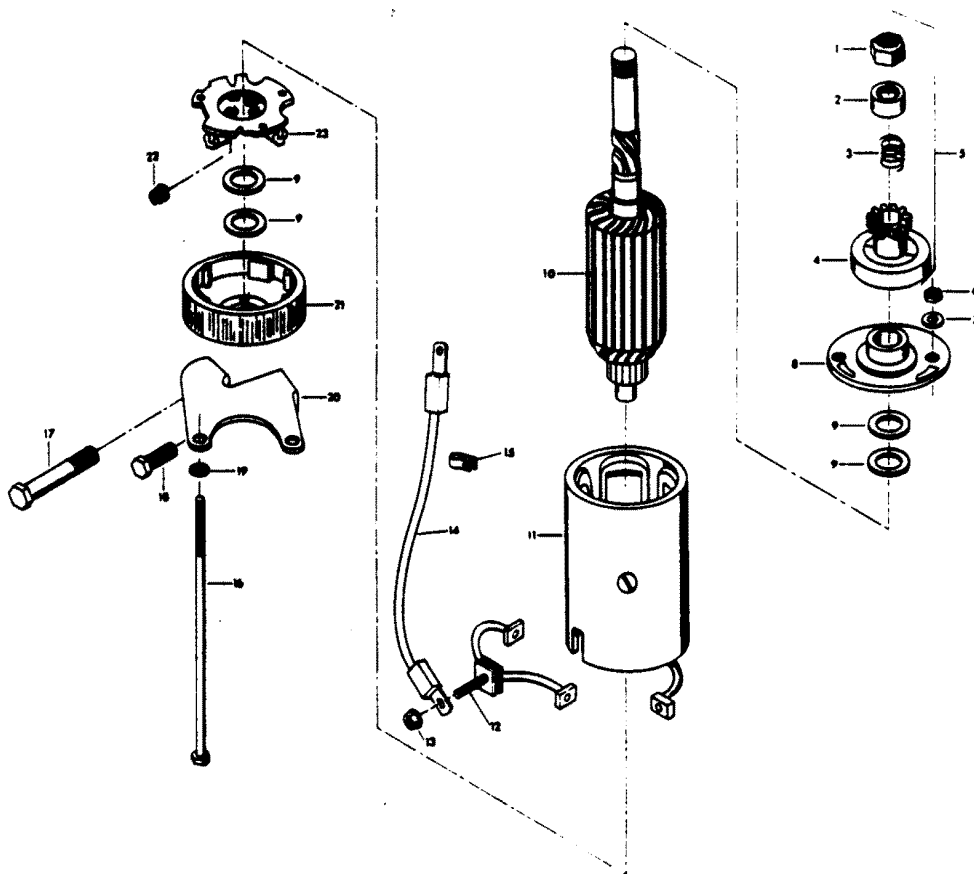
ELECTRICAL COMPONENTS



ELECTRICAL COMPONENTS

| REF. NO. | PART NO. | SYM. | QTY. | DESCRIPTION |
|----------|----------------|------|----------|---|
| 43 | F8083 | | 2 | SPRING LOCKWASHER |
| 44 | F345475-1 | | 1 | COIL |
| 45 | FA523301 | | 1 | UNIT W/DECAL |
| 46 | F523962 | | 3 | SHOCK MOUNT - C.D. UNIT |
| 47 | F2000 | | 1 | HEX CAP SCREW, 5/16 - 18 X 3/4 |
| 48 | F322273 | | 1 | STUD, C. D. UNIT |
| 49 | F71H21 | | 1 | IGNITION SWITCH MOUNTING KIT (ACCESSORY ITEM) |
| 50 | F1934 | | 4 | FLAT HD SLOTTED SCREW, 6 X 12 |
| 51 | F391983 | | 2 | RETAINING BAND |
| 52 | F1892 | | 3 | STOP NUT |
| 54 | F85664 | | 1 | GROUND WIRE |
| - | 480373 | | 1 | DECAL, MAGNAPOWER IGNITION (NOT SHOWN) |
| - | F474387 | | 1 | TIMING DECAL (NOT SHOWN) |

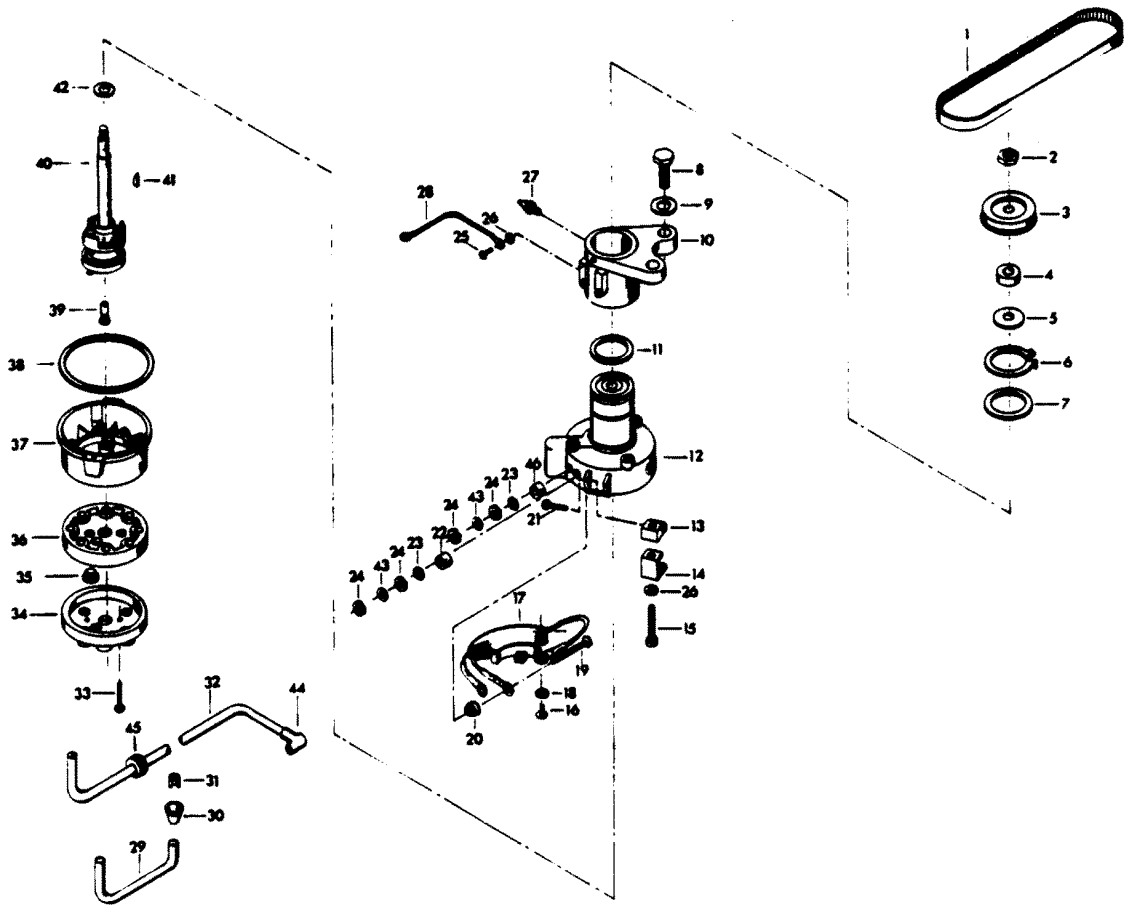
STARTER



STARTER

| REF. NO. | PART NO. | SYM. | QTY. | DESCRIPTION |
|----------|-----------------|------|----------|---------------------------------|
| 5 | F15118 | | 1 | BENDIX DRIVE ASSEMBLY |
| 6 | F1514 | | 2 | HEX NUT, 1/4 - 20 |
| 7 | F8028 | | 2 | PLAIN WASHER |
| 8 | F15021-1 | | 1 | HEAD ASSEMBLY, DRIVE END |
| 9 | F15073 | | 1 | THRUST WASHER PACKAGE |
| 10 | F15099 | | 1 | ARMATURE |
| 11 | F15124 | | 1 | FRAME AND FIELD ASSEMBLY |
| 12 | F15054 | | 1 | BRUSH AND TERMINAL SET |
| 13 | FA15072 | | 1 | HEX LOCK NUT, 1/4 - 20 |
| 14 | F85908 | | 1 | STARTER LEAD WIRE |
| 15 | F404446 | | 1 | CLAMP |
| 16 | F15035 | | 1 | THRU BOLT PACKAGE |
| 17 | F1868 | | 1 | HEX BOLT, 3/8 - 16 X 3 1/4 |
| 18 | F1502 | | 1 | HEX CAP SCREW, 1/4 - 20 X 5/8 |
| 19 | F8060 | | 2 | LOCKWASHER |
| 20 | F373675-1 | | 1 | STARTER BRACKET, LOWER |
| 21 | 15037 | | 1 | HEAD ASSEMBLY, COMMUTATOR END |
| 22 | F15034 | | 1 | SPRING SET |
| 23 | F15057 | | 1 | BRUSH PLATE AND HOLDER ASSEMBLY |
| - | FS489955 | | 1 | STARTER COMPLETE |

DISTRIBUTOR

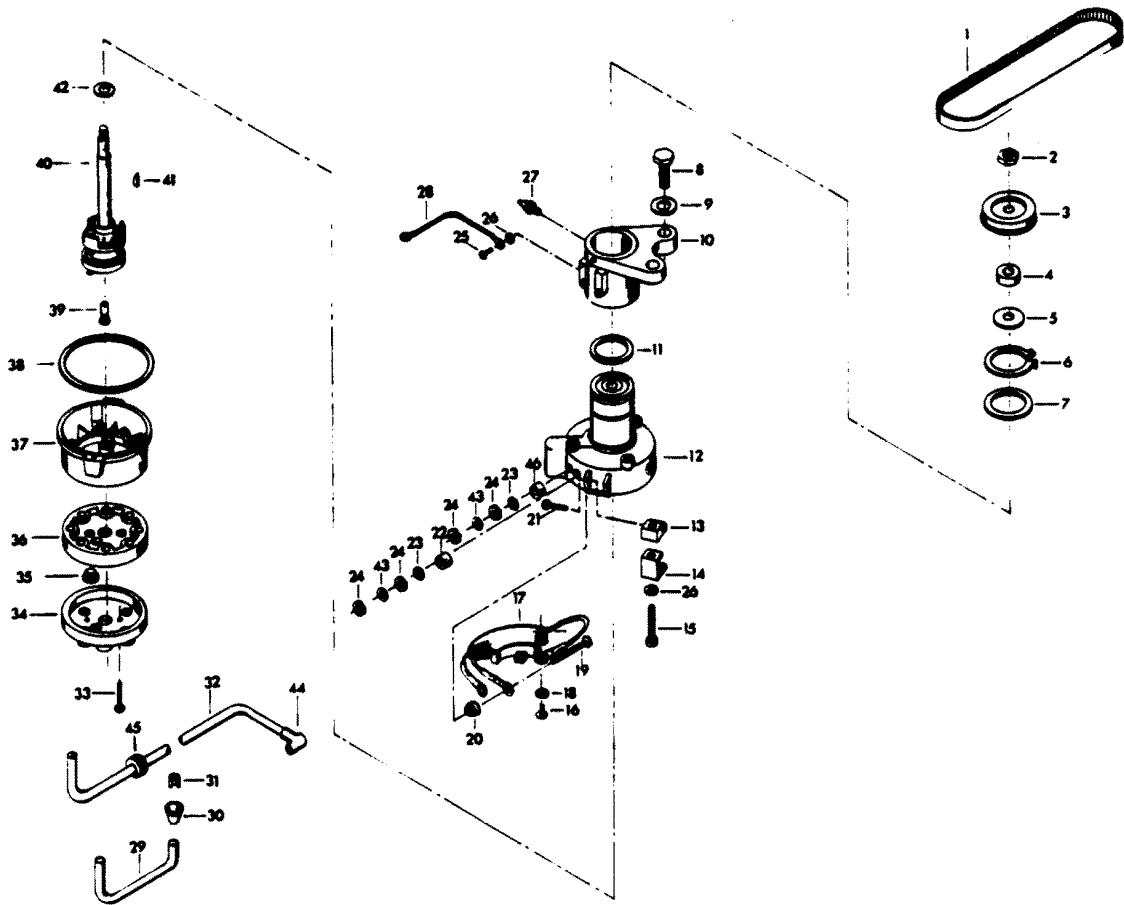


DISTRIBUTOR

| REF. NO. | PART NO. | SYM. | QTY. | DESCRIPTION |
|----------|-------------|------|------|--------------------------------------|
| 1 | F85311 | | 1 | DISTRIBUTOR BELT |
| 2 | F7013 | | 1 | STOP NUT |
| 3 | 817786A1 | | 1 | DISTRIBUTOR PULLEY |
| 4 | F14025 | | 1 | SPACER |
| 5 | F14028 | | 1 | THRUST WASHER |
| 6 | F85173 | | 1 | RETAINING RING |
| 7 | F14029 | | 1 | THRUST WASHER |
| 8 | F1612 | | 2 | HEX CAP SCREW, 3/8 - 16 X 1 1/4 |
| 9 | F2014 | | 2 | PLAIN WASHER |
| 10 | FA321574 | | 1 | DISTRIBUTOR BRACKET |
| 11 | F1759 | | 2 | SHIM, DISTRIBUTOR (QTY. AS REQUIRED) |
| 12 | F14042 | | 1 | DISTRIBUTOR HOUSING W/BEARINGS |
| 13 | F14036 | | 2 | SWIVEL |
| 14 | F14037 | | 2 | CAP CLIPS |
| 15 | F14038 | | 2 | CAP CLIP SCREWS |
| 16 | F14045 | | 2 | SCREW |
| 17 | F14048-1 | | 1 | PREAMPLIFIER |
| 18 | F8056 | | 2 | LOCKWASHER |
| 19 | F14046 | | 2 | TERMINAL SCREW |
| 20 | F14047 | | 2 | TERMINAL INSULATOR (INSIDE) |
| 21 | F14015 | | 2 | CAP CLIP RIVET |
| 22 | F14049 | | 1 | TERMINAL INSULATOR (OUTSIDE) |
| 23 | F14041 | | 2 | EXTERNAL TOOTH LOCKWASHER |
| 24 | F1647 | | 4 | HEX NUT, 8 - 32 |
| 25 | F1760 | | 2 | PAN HD SCREW, 10 - 24 X 3/8 |
| 26 | F1975 | | 2 | SPRING LOCKWASHER |
| 27 | F213274 | | 1 | GREASE FITTING |
| 28 | F85664 | | 1 | DISTRIBUTOR GROUND |
| 29 | 84-817775A1 | | 1 | COIL WIRE W/TERMINAL CLIP |
| 30 | F203276 | | 1 | BOOT |
| 31 | F203673 | | 1 | TERMINAL CLIP |
| 32 | F321841-2 | | 4 | LEAD WIRE W/GROMMET |
| 33 | F14007 | | 2 | CAP SCREW |
| 34 | F14010-1 | | 1 | CAP COVER |
| 35 | F14040 | | 2 | VENT |
| 36 | F14021-1 | | 1 | CAP SEAL |
| 37 | F14005-2 | | 1 | CAP BASE |
| 38 | F14030 | | 1 | CAP GASKET |
| 39 | F14012-1 | | 1 | BRUSH |
| 40 | F14044 | | 1 | DISTRIBUTOR SHAFT |
| 41 | F1692 | | 1 | WOODRUFF KEY |
| 42 | F14024 | | 1 | SPACER |
| 43 | F8056 | | 2 | LOCKWASHER |

CONTINUED ON NEXT PAGE ➡

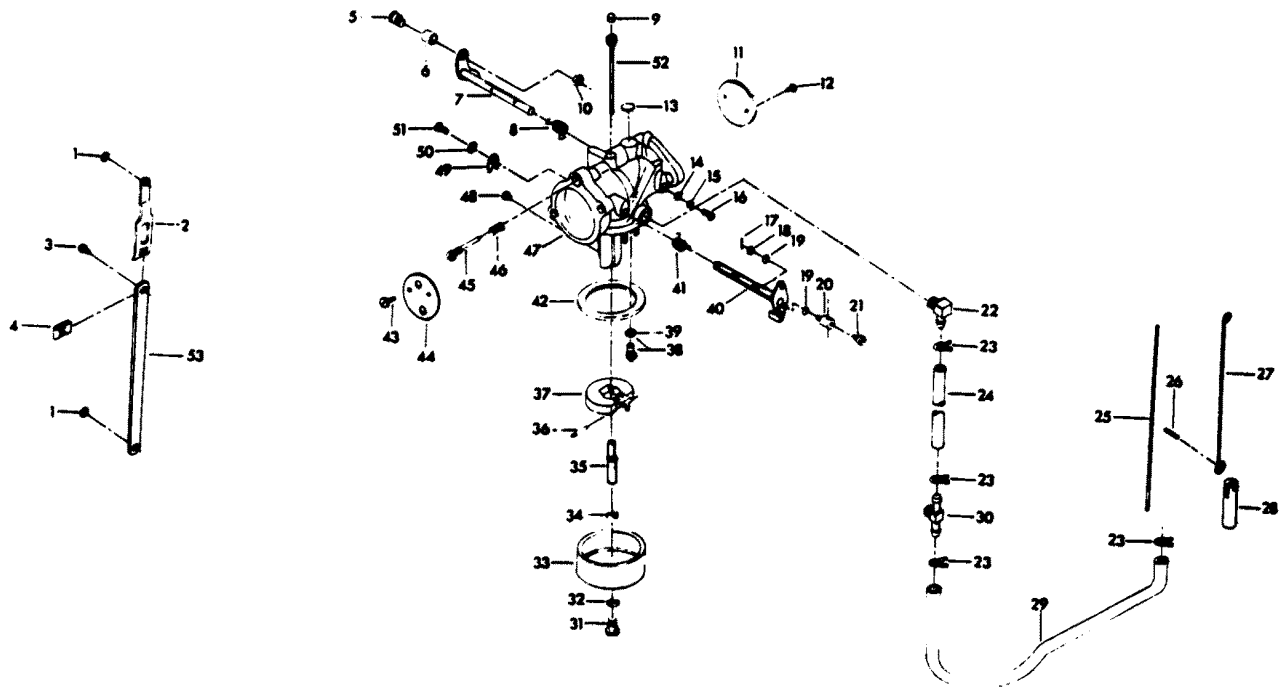
DISTRIBUTOR



DISTRIBUTOR

| REF. NO. | PART NO. | SYM. | QTY. | DESCRIPTION |
|----------|-----------------|------|----------|--|
| 44 | FK750-1 | | 4 | SPARKIE W/SPRING |
| 45 | F84991-1 | | 3 | GROMMET |
| 46 | F14017 | | 1 | TERMINAL INSULATOR (OUTSIDE) |
| - | FA489309 | | 1 | DISTRIBUTOR |
| - | 481373-1 | | 1 | DECAL, "ELECTRONIC" (NOT SHOWN) |

CARBURETOR 105 AND 120 H.P. ENGINES

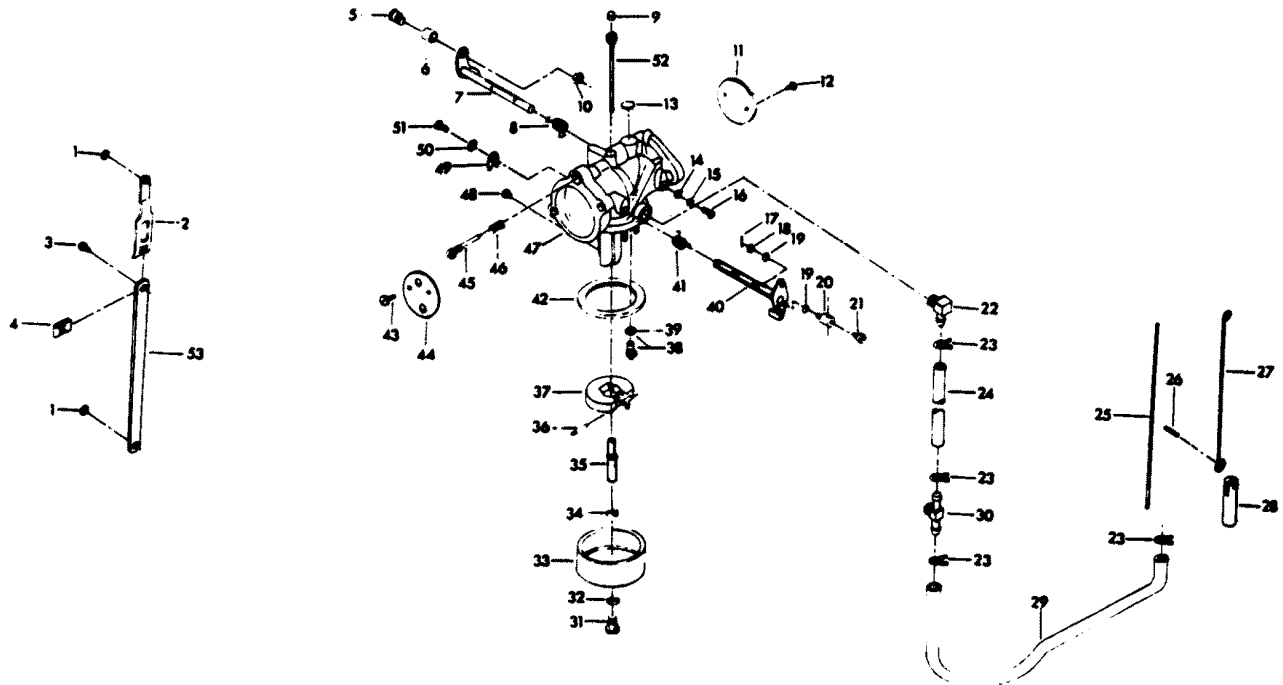


CARBURETOR 105 AND 120 H.P. ENGINES

| REF. NO. | PART NO. | SYM. | QTY. | DESCRIPTION |
|----------|-----------|------|------|---|
| 1 | F90807 | | 2 | RETAINING RING |
| 2 | FA85193 | | 1 | TIE BAR END W/SWIVEL |
| 3 | F1064 | | 1 | FILL HD SCREW, 8 - 32 X 3/8 |
| 4 | F1693 | | 1 | TIE BAR RETAINER |
| 5 | F333316 | | 1 | THROTTLE ROLLER SHAFT |
| 6 | F92759 | | 1 | THROTTLE ROLLER |
| 7 | FO15231 | | 1 | THROTTLE SHAFT AND LEVER |
| 8 | FO16008 | | 1 | THROTTLE SHAFT RETURN SPRING |
| 9 | FO10588 | | 1 | BODY CHANNEL CUP PLUG |
| 10 | F1997 | | 1 | STOP NUT, 8 - 32 |
| 11 | FO13942 | | 1 | THROTTLE SHUTTER |
| 12 | FO8942 | | 2 | THROTTLE SHUTTER RETAINING SCREW AND LOCKWASHER |
| 13 | FO4326 | | 1 | BODY CHANNEL WELCH PLUG |
| 14 | FO3804 | | 1 | RETAINING SCREW WASHER |
| 15 | FO6396 | | 1 | RETAINING SCREW LOCKWASHER |
| 16 | FO6393 | | 1 | RETAINING SCREW |
| 17 | F1014 | | 2 | COTTER PIN |
| 18 | F8088 | | 3 | PLAIN WASHER |
| 19 | F184579 | | 5 | "O" RING SEAL |
| 20 | F184033-1 | | 1 | SWIVEL, TOP CARBURETOR |
| 21 | F1059 | | 2 | FILL HD SCREW, 6 - 32 X 1/4 |
| 22 | F84314-2 | | 1 | ELBOW |
| 23 | F97772 | | 4 | CLAMP |
| 24 | F178754-1 | | 1 | FUEL LINE |
| 25 | F85509-1 | | 1 | LINK, CHOKE |
| 26 | F2033 | | 1 | GROOVE PIN |
| 27 | F372925 | | 1 | CHOKE ROD |
| 28 | F391926-1 | | 1 | PLUNGER |
| 29 | F438754 | | 1 | FUEL LINE W/CLAMP, PUMP TO CARBURETOR |
| 30 | F85314-1 | | 1 | FUEL FITTING |
| 31 | FO13945 | | 1 | FUEL BOWL RETAINING SCREW |
| 32 | FO2510 | | 2 | FUEL BOWL RETAINING SCREW GASKET |
| 33 | FO13552 | | 1 | FUEL BOWL |
| 34 | FO2510 | | 1 | FUEL BOWL RETAINING SCREW WASHER |
| 35 | FO15217 | | 1 | MAIN NOZZLE |
| 36 | FO13944 | | 1 | FLOAT LEVER PIN |
| 37 | FO13554 | | 1 | FLOAT |
| 38 | FO10790 | | 1 | INLET NEEDLE, SEAL AND GASKET |
| 39 | FO10165 | | 1 | INLET SEAL GASKET |
| 40 | FO17241 | | 1 | CHOKE SHAFT AND LEVER |
| 41 | FO13947 | | 1 | CHOKE SHAFT RETURN SPRING |
| 42 | FO15623 | | 1 | FUEL BOWL GASKET |
| 43 | FO8942 | | 2 | CHOKE SHUTTER RETAINING SCREW AND LOCKWASHER |

CONTINUED ON NEXT PAGE ➡

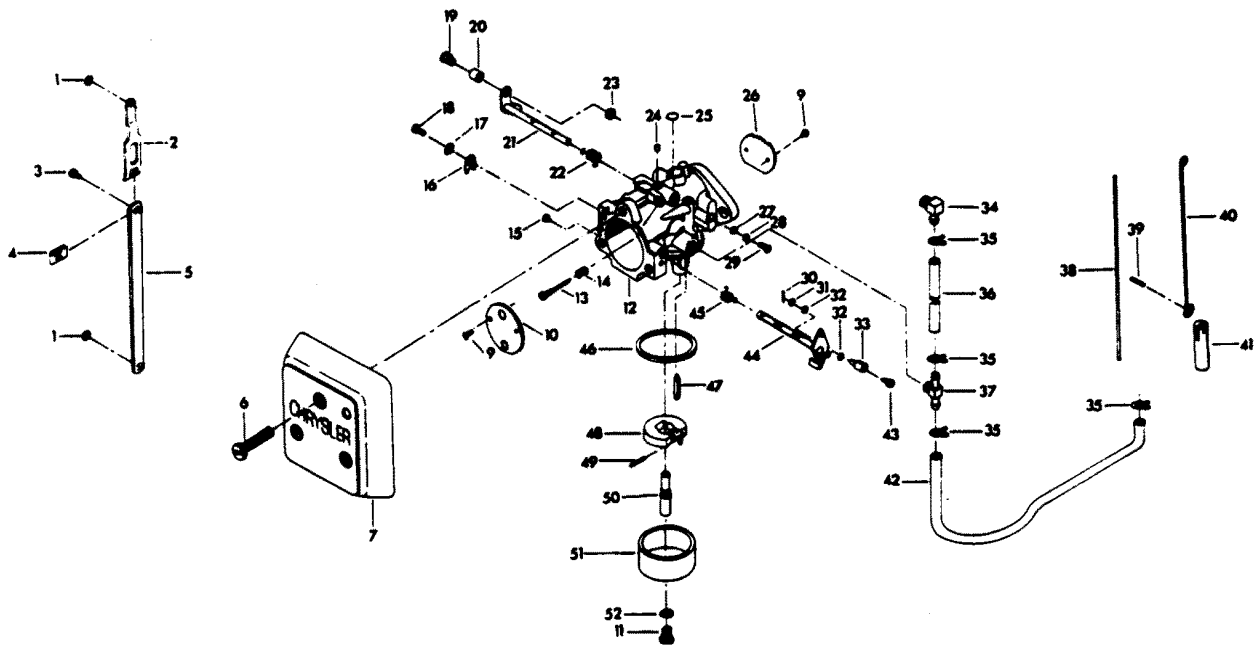
CARBURETOR 105 AND 120 H.P. ENGINES



CARBURETOR 105 AND 120 H.P. ENGINES

| REF. NO. | PART NO. | SYM. | QTY. | DESCRIPTION |
|----------|---------------|------|----------|--|
| 44 | FO13555 | | 1 | CHOKE SHUTTER |
| 45 | FO13946 | | 1 | IDLE MIXTURE SCREW |
| 46 | FO11103 | | 1 | IDLE MIXTURE SCREW SPRING |
| 49 | FO9678 | | 1 | CLIP, CHOKE SHAFT |
| 50 | FO992 | | 1 | LOCKWASHER |
| 51 | FO1974 | | 1 | SCREW |
| 52 | FO17181 | | 1 | IDLE TUBE |
| 53 | FA178233 | | 1 | THROTTLE TIE BAR W/SWIVEL |
| - | F85033 | | 1 | SWIVEL, CHOKE ROD (BOTTOM CARBURETOR) (NOT SHOWN) |
| - | F10000 | | 1 | GASKET SET (NOT SHOWN) |
| - | F10005 | | 1 | REPAIR PARTS KIT (NOT SHOWN). INCLUDES ALL ITEMS MARKED WITH AN ASTERISK (*). |
| 47 | F500061-1 | | 1 | CARBURETOR COMPLETE (WB44B) |
| 48 | FO13194 | | 1 | MAIN FUEL JET (.080) |
| 47 | F501061-1 | | 1 | CARBURETOR COMPLETE (WB25B) |
| 48 | FO13949 | | 1 | MAIN FUEL JET (.086) |

CARBURETOR 135 H.P. ENGINES

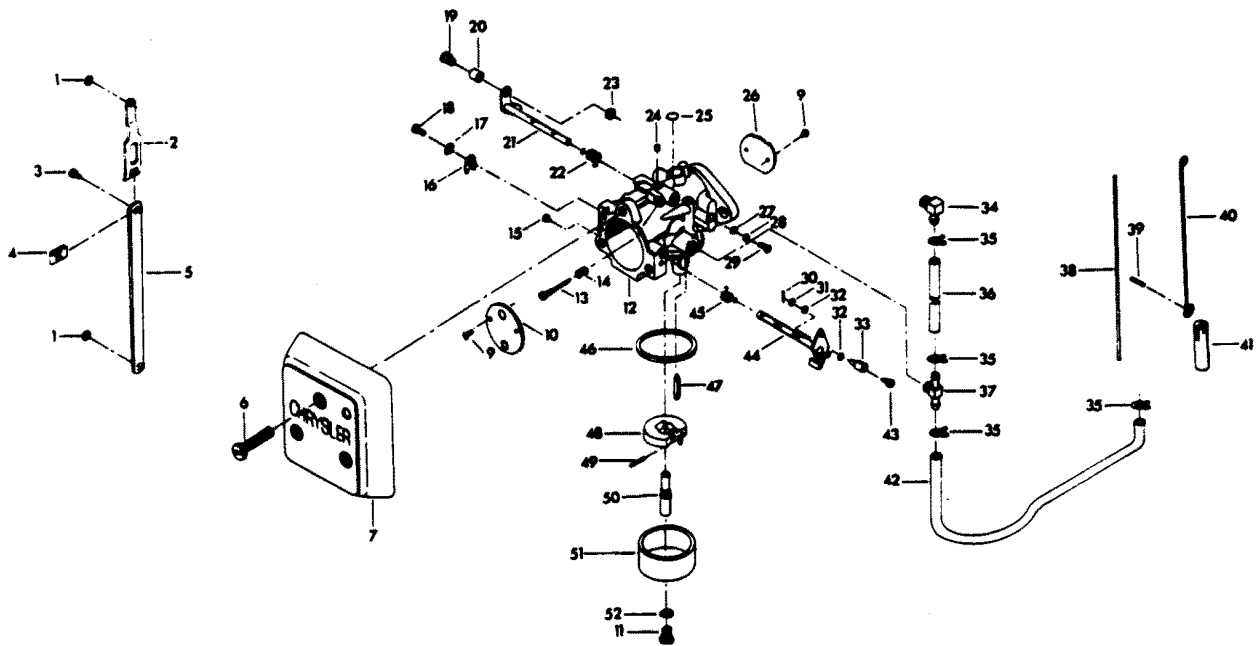


CARBURETOR 135 H.P. ENGINES

| REF. NO. | PART NO. | SYM. | QTY. | DESCRIPTION |
|----------|-----------|------|------|---------------------------------------|
| 1 | F90807 | | 2 | RETAINING RING |
| 2 | FA85193 | | 1 | TIE BAR END W/SWIVEL |
| 3 | F1064 | | 1 | FILL HD SCREW, 8 - 32 X 3/8 |
| 4 | F1693 | | 1 | TIE BAR RETAINER |
| 5 | FA178233 | | 1 | THROTTLE TIE BAR W/SWIVEL |
| 6 | F1134 | | 6 | PAN HD SCREW, 1/4 - 20 X 1 3/8 |
| 7 | F511708 | | 2 | COVER, CARBURETOR |
| 9 | FO15912 | | 4 | CHOKE AND THROTTLE SHUTTER SCREW |
| 10 | FO17719 | | 1 | CHOKE SHUTTER |
| 11 | FO16132 | | 1 | FUEL BOWL RETAINING SCREW |
| 13 | FO14166 | | 1 | IDLE MIXTURE SCREW |
| 14 | FO11103 | | 1 | IDLE MIXTURE SCREW SPRING |
| 15 | FO12947 | | 1 | MAIN FUEL JET, .096 STANDARD |
| 16 | FO9678 | | 1 | CLIP, CHOKE SHAFT |
| 17 | FO992 | | 1 | LOCKWASHER |
| 18 | FO1974 | | 1 | SCREW |
| 19 | F333316 | | 1 | THROTTLE ROLLER SHAFT |
| 20 | F92759 | | 1 | THROTTLE ROLLER |
| 21 | FO16145 | | 1 | THROTTLE SHAFT AND LEVER |
| 22 | FO16143 | | 1 | THROTTLE SHAFT RETURN SPRING |
| 23 | F1997 | | 1 | STOP NUT, 8 - 32 |
| 24 | FO10588 | | 5 | BODY CHANNEL CUP PLUG |
| 25 | FO16128 | | 1 | BODY CHANNEL WELCH PLUG |
| 26 | FO16142 | | 1 | THROTTLE SHUTTER |
| 27 | FO12400 | | 1 | RETAINING SCREW WASHER |
| 28 | FO6396 | | 1 | RETAINING SCREW LOCKWASHER |
| 29 | FO6393 | | 1 | RETAINING SCREW |
| 30 | F1014 | | 2 | COTTER PIN |
| 31 | F8088 | | 3 | PLAIN WASHER |
| 32 | F184579 | | 5 | "O" RING SEAL |
| 33 | F184033-1 | | 1 | SWIVEL, TOP CARBURETOR |
| 34 | F84314-2 | | 1 | ELBOW |
| 35 | F97772 | | 4 | CLAMP |
| 36 | F178754-1 | | 1 | FUEL LINE |
| 37 | F85314-1 | | 1 | FUEL FITTING |
| 38 | F85509-1 | | 1 | LINK, CHOKE |
| 39 | F2033 | | 1 | GROOVE PIN |
| 40 | F440925 | | 1 | CHOKE ROD |
| 41 | F391926-1 | | 1 | PLUNGER |
| 42 | F438754 | | 1 | FUEL LINE W/CLAMP, PUMP TO CARBURETOR |
| 43 | F1059 | | 2 | FILL HD SCREW, 6 - 32 X 1/4 |
| 44 | FO16301 | | 1 | CHOKE SHAFT AND LEVER |
| 45 | FO16136 | | 1 | CHOKE SHAFT RETURN SPRING |

CONTINUED ON NEXT PAGE ➡

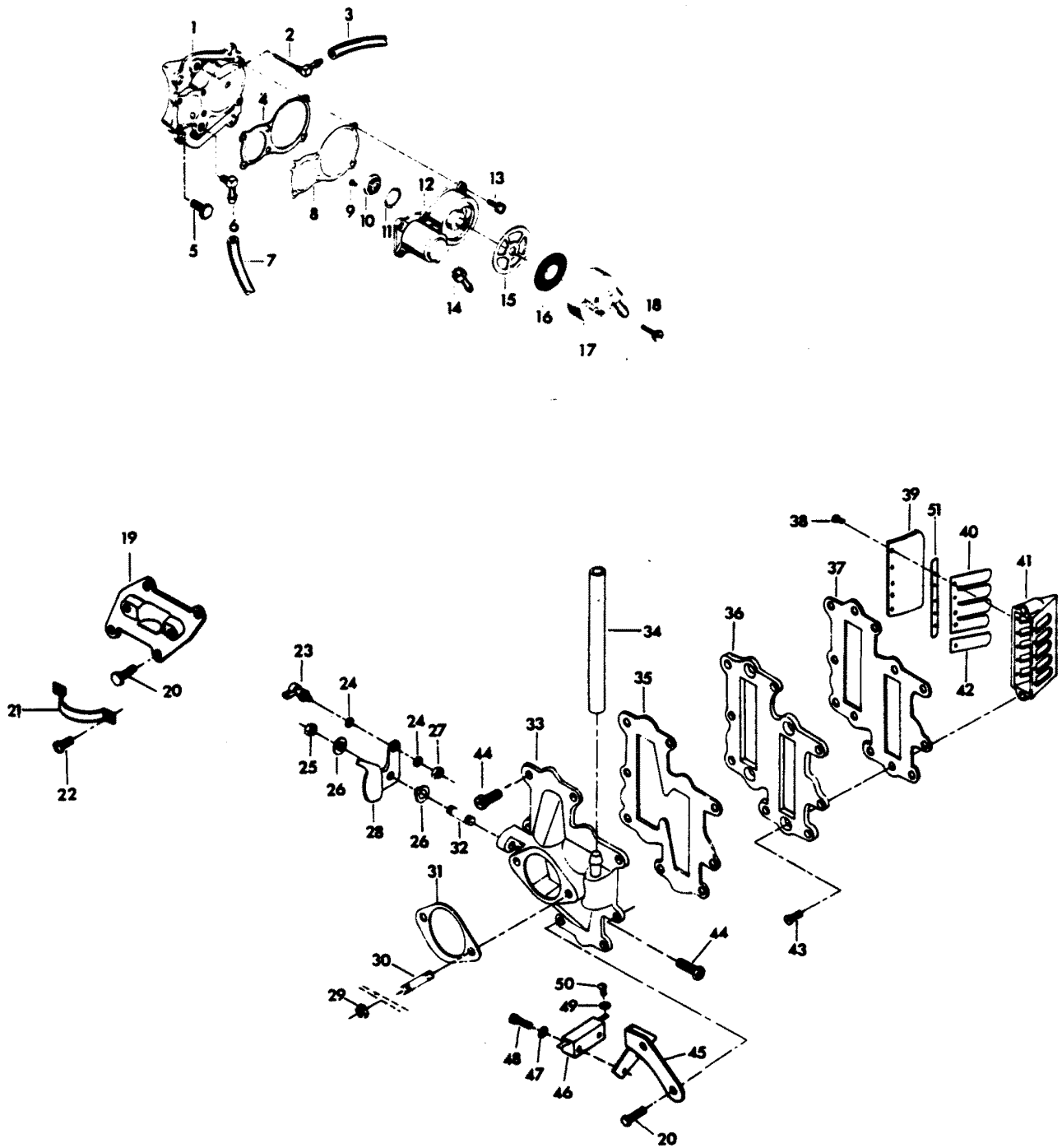
CARBURETOR 135 H.P. ENGINES



CARBURETOR 135 H.P. ENGINES

| REF. NO. | PART NO. | SYM. | QTY. | DESCRIPTION |
|-------------|------------------|------|----------|--|
| 46 | FO15623 | | 1 | FUEL BOWL GASKET |
| 47 | FO16697 | | 1 | INLET NEEDLE |
| 48 | FO13554 | | 1 | FLOAT |
| 49 | FO13944 | | 1 | FLOAT LEVER PIN |
| 50 | FO16133 | | 1 | MAIN NOZZLE |
| 51 | FO16130 | | 1 | FUEL BOWL |
| 52 | FO5323 | | 1 | FUEL BOWL RETAINING SCREW GASKET |
| - | F85033 | | 1 | SWIVEL, CHOKE ROD (BOTTOM CARBURETOR) (NOT SHOWN) |
| - | F10023 | | 1 | GASKET SET (NOT SHOWN) |
| - | F10051 | | 1 | REPAIR PARTS KIT (NOT SHOWN) INCLUDES ALL ITEMS MARKED WITH AN ASTERISK (*) |
| - | F476061-3 | | 1 | CARBURETOR COMPLETE (TC-5D) |

FUEL PUMP AND REED PLATE

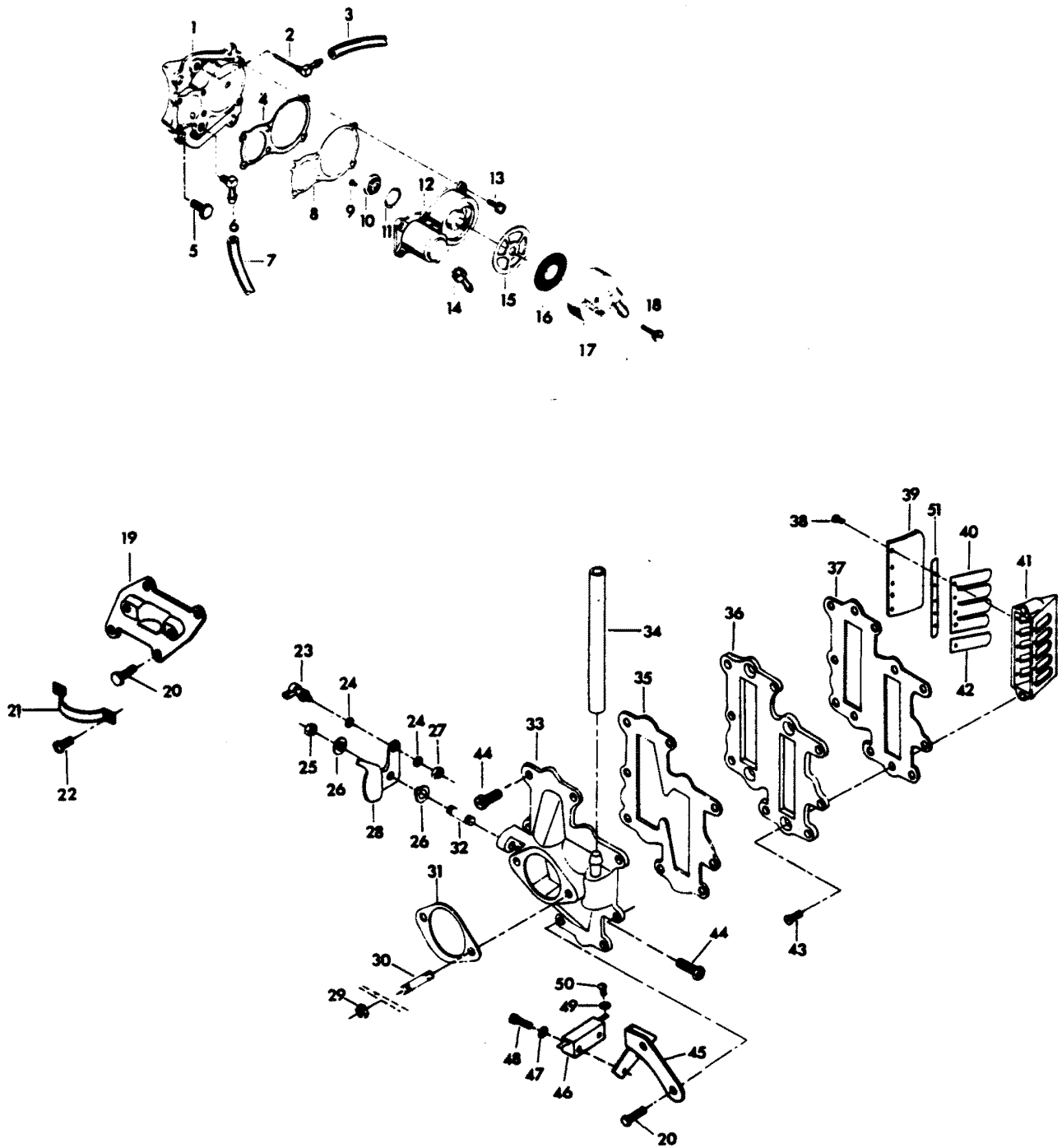


FUEL PUMP AND REED PLATE

| REF. NO. | PART NO. | SYM. | QTY. | DESCRIPTION |
|----------|-----------|------|------|---|
| 1 | FA439746 | | 1 | FUEL PUMP COVER |
| 2 | F404314 | | 1 | ELBOW, FUEL PUMP COVER |
| 3 | F441754-1 | | 1 | HOSE |
| 4 | F438760 | | 1 | FUEL PUMP GASKET |
| 5 | F1502 | | 4 | HEX CAP SCREW, 1/4 - 20 X 5/8 |
| 6 | F84314-2 | | 1 | ELBOW |
| 7 | F89758 | | 1 | FUEL PUMP AIR HOSE - TOP |
| 8 | F438747 | | 1 | FUEL PUMP DIAPHRAGM W/GASKET |
| 9 | F1860 | | 2 | RD HD SCREW, 6 - 32 X 1/4 |
| 10 | F177330 | | 3 | FUEL PUMP VALVE |
| 11 | F84792 | | 1 | GASKET, CENTER FUEL PUMP VALVE |
| 12 | FA438431 | | 1 | FUEL PUMP BODY W/VALVES |
| 13 | F1108 | | 6 | FILL HD SCREW, 1/4 - 20 X 3/4 |
| 14 | F438801 | | 1 | FITTING |
| 15 | F438617 | | 1 | FUEL SEDIMENT BOWL GASKET |
| 16 | F438653 | | 1 | FUEL SEDIMENT BOWL SCREEN |
| 17 | F438500 | | 1 | FUEL SEDIMENT BOWL |
| 18 | F438165 | | 1 | SCREW, FUEL PUMP BOWL |
| 19 | F372958 | | 1 | CHOKE BRACKET |
| 20 | F1953 | | 6 | HEX HD SCREW, 1/4 - 20 X 1 |
| 21 | F85317-1 | | 1 | SOLENOID CLAMP |
| 22 | F1236 | | 2 | SCREW, 1/4 - 20 X 1/2 |
| 23 | 817747--1 | | 1 | BALL JOINT W/STUD |
| 24 | F8058 | | 2 | INTERNAL TOOTH LOCKWASHER |
| 25 | F1910 | | 1 | STOP NUT, 1/4 - 20 |
| 26 | F269319 | | 2 | THROTTLE CAM BEARING |
| 27 | F1513 | | 1 | HEX NUT, 10 - 32 |
| 32 | F433209-1 | | 1 | THROTTLE CAM STUD |
| 35 | F178168-1 | | 2 | GASKET, CARBURETOR ADAPTER |
| 36 | F178404-1 | | 2 | DEFLECTOR PLATE |
| 37 | F406406 | | 2 | GASKET DEFLECTOR PLATE |
| 38 | F1298 | | 40 | ROUND HD SCREW W/LOCKWASHER, 6 - 32 X 1/4 |
| 39 | F85161-1 | | 8 | REED STOP |
| 40 | F316160 | | 8 | REED (4 PETAL) |
| 41 | F2A523158 | | 4 | REED PLATE W/REEDS, REED STOPS AND SCREWS |
| 42 | F316164 | | 8 | REED (1 PETAL) |
| 43 | F1831 | | 8 | FLAT HD SCREW, 1/4 - 20 X 5/8 |
| 44 | F1915 | | 10 | HEX HD SCREW, 1/4 - 20 X 7/8 |
| 45 | F489551 | | 1 | BRACKET NEUTRAL INTERLOCK SWITCH |
| 46 | F84449 | | 1 | INTERLOCK SWITCH |
| 47 | F8088 | | 2 | PLAIN WASHER |
| 48 | F2016 | | 2 | FILL HD SCREW, 6 - 32 X 7/8 |
| 49 | F1704 | | 2 | INTERNAL TOOTH LOCKWASHER |

CONTINUED ON NEXT PAGE ➡

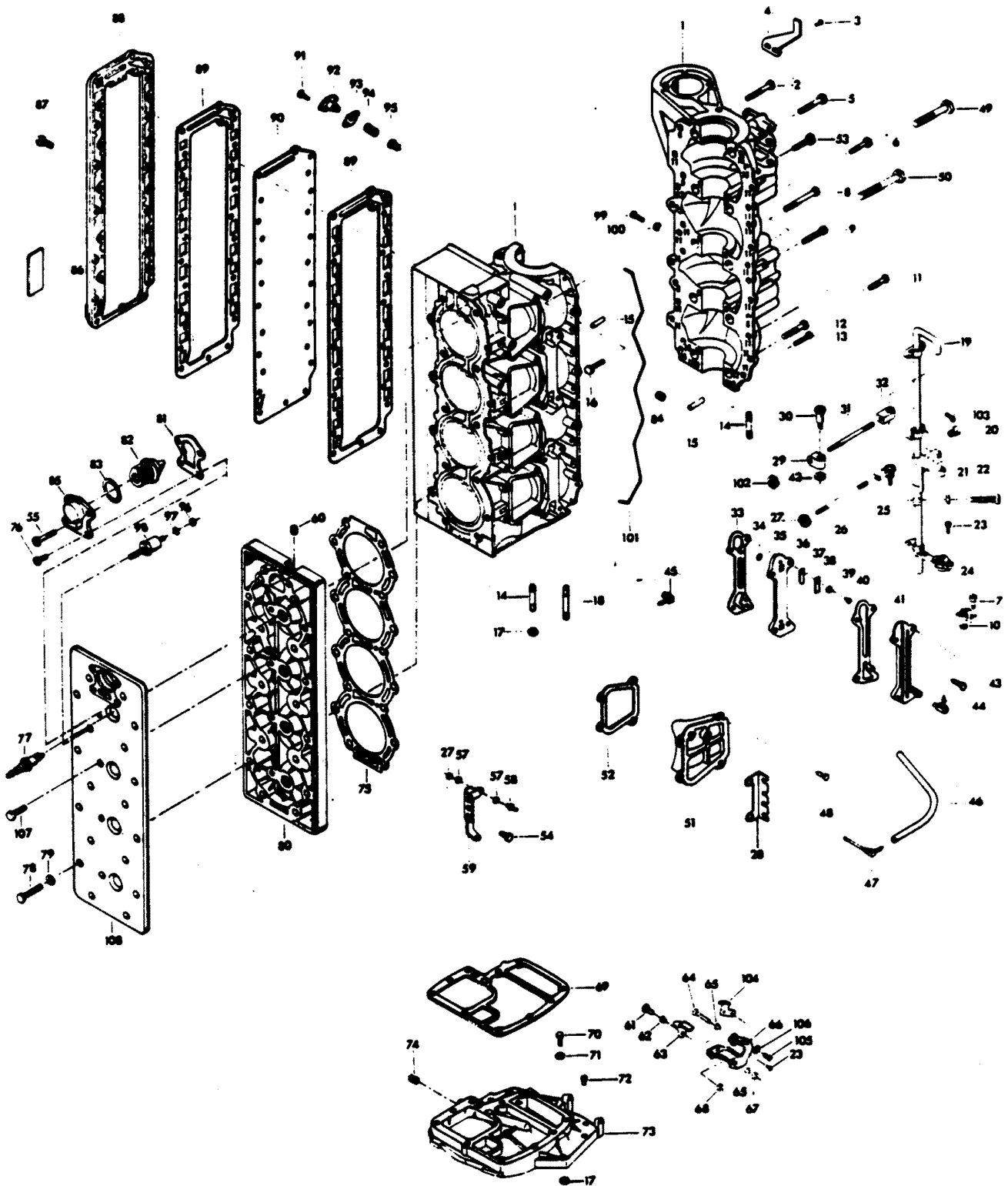
FUEL PUMP AND REED PLATE



FUEL PUMP AND REED PLATE

| REF. NO. | PART NO. | SYM. | QTY. | DESCRIPTION |
|----------|-----------------|------|----------|--|
| 50 | F1645 | | 2 | RD HD SCREW, 6 - 32 X 1/4 |
| 51 | F523451 | | 8 | SPACER, REED STOP |
| 28 | F85192-1 | | 1 | THROTTLE CAM |
| 29 | F1515 | | 4 | HEX NUT, 5/16 - 18 |
| 30 | F40209 | | 4 | CARBURETOR STUD |
| 31 | F85906 | | 2 | CARBURETOR GASKET |
| 33 | FA178167 | | 1 | CARBURETOR ADAPTER LOWER, W/FITTINGS AND STUDS |
| - | FA178157 | | 1 | CARBURETOR ADAPTER UPPER, W/FITTING AND STUDS |
| 34 | 32-77653-77 | | 1 | BALANCE TUBE |
| 28 | F440192 | | 1 | THROTTLE CAM |
| 29 | F1346 | | 4 | HEX NUT, 3/8 - 16 |
| 30 | F440209 | | 4 | CARBURETOR STUD |
| 31 | F440906 | | 2 | CARBURETOR GASKET |
| 33 | FA440167 | | 1 | CARBURETOR ADAPTER LOWER, W/FITTING AND STUDS |
| - | FA440157 | | 1 | CARBURETOR ADAPTER UPPER, W/FITTING AND STUDS |
| 34 | F440254 | | 1 | BALANCE TUBE |

POWER HEAD

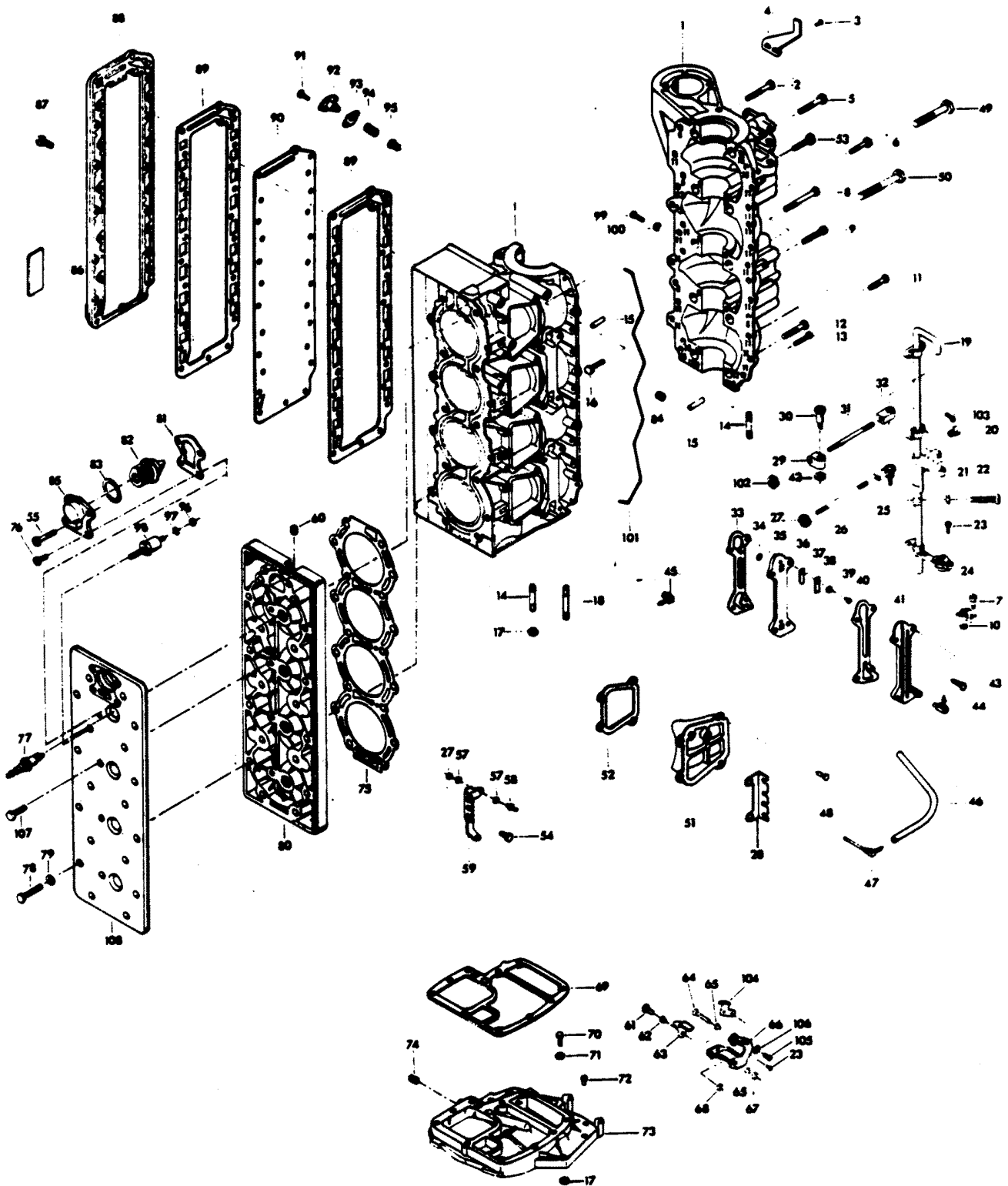


POWER HEAD

| REF. NO. | PART NO. | SYM. | QTY. | DESCRIPTION |
|----------|-----------|------|------|---|
| 2 | F1874 | | 1 | HEX HD SCREW, 3/8 - 16 X 3 1/8 |
| 3 | F1760 | | 2 | PAN HD SCREW, 10 - 24 X 3/8 |
| 4 | FA480894 | | 1 | TIMING POINTER |
| 5 | F1009 | | 1 | HEX HD SCREW, 3/8 - 16 X 2 3/4 |
| 6 | F1915 | | 3 | HEX HD SCREW, 1/4 - 20 X 7/8 |
| 7 | F405457 | | 1 | PIVOT SCREW |
| 8 | F1699 | | 1 | HEX HD SCREW, 1/4 - 20 X 1 1/8 |
| 9 | F1253 | | 4 | HEX SOCKET HD CAP SCREW, 3/8 - 16 X 2 |
| 10 | F7008 | | 1 | ELASTIC STOP NUT |
| 11 | F1914 | | 16 | HEX HD SCREW, 1/4 - 20 X 3/4 |
| 12 | F1872 | | 2 | HEX CAP SCREW, 3/8 - 16 X 1 3/4 |
| 13 | F1099 | | 2 | FILL HD SCREW, 1/4 - 20 X 1 1/4 |
| 14 | F85859 | | 4 | STUD |
| 15 | F8563 | | 2 | DOWEL PIN |
| 16 | F1953 | | 2 | HEX HD SCREW, 1/4 - 20 X 1 |
| 17 | F7004 | | 10 | STOP NUT, 3/8 - 16 |
| 18 | F85211 | | 6 | STUD |
| 19 | 817932A6 | | 1 | TOWERSHAFT W/SWIVEL, BEARINGS AND SCREWS |
| 20 | F1727 | | 1 | PLASTIC RIVET |
| 21 | F1341 | | 1 | HEX NUT, 1/4 - 20 |
| 22 | F1052 | | 1 | FILL HD SCREW, 1/4 - 20 X 1 |
| 23 | F1556 | | 2 | FILL HD SCREW W/LOCKWASHER, 10 - 24 X 3/8 |
| 24 | FK405020 | | 2 | SWIVEL W/CLAMP, SHOULDER SCREW AND NUT |
| 25 | 817747--1 | | 1 | BALL JOINT W/STUD |
| 26 | F85502 | | 1 | THROTTLE LINK |
| 27 | F1513 | | 4 | HEX NUT, 10 - 32 |
| 28 | F439834 | | 1 | CLIP, SPARK PLUG WIRE |
| 29 | F85035 | | 1 | DISTRIBUTOR, CONTROL ROD END |
| 30 | F85026 | | 1 | SWIVEL |
| 31 | F85445 | | 1 | CONTROL ROD |
| 32 | F85036 | | 1 | TOWERSHAFT CONTROL ROD END |
| 33 | F84748-3 | | 2 | GASKET |
| 34 | F93811 | | 4 | SCREEN |
| 35 | F2A476757 | | 2 | CYLINDER DRAIN REED PLATE W/REEDS, STOPS AND SCREWS |
| 36 | F18160-1 | | 4 | CYLINDER DRAIN REED |
| 37 | F93920 | | 4 | REED STOP |
| 38 | F8003 | | 4 | PLAIN WASHER |
| 39 | F1286 | | 4 | PAN HD SCREW, 4 - 40 X 3/16 |
| 40 | F84472-5 | | 2 | GASKET, CYLINDER DRAIN COVER |
| 41 | F406471-1 | | 2 | CYLINDER DRAIN COVER |
| 42 | F1935 | | 1 | PLAIN WASHER |
| 43 | F1187 | | 8 | HEX HD SCREW, 1/4 - 20 X 1 |

CONTINUED ON NEXT PAGE ➡

POWER HEAD

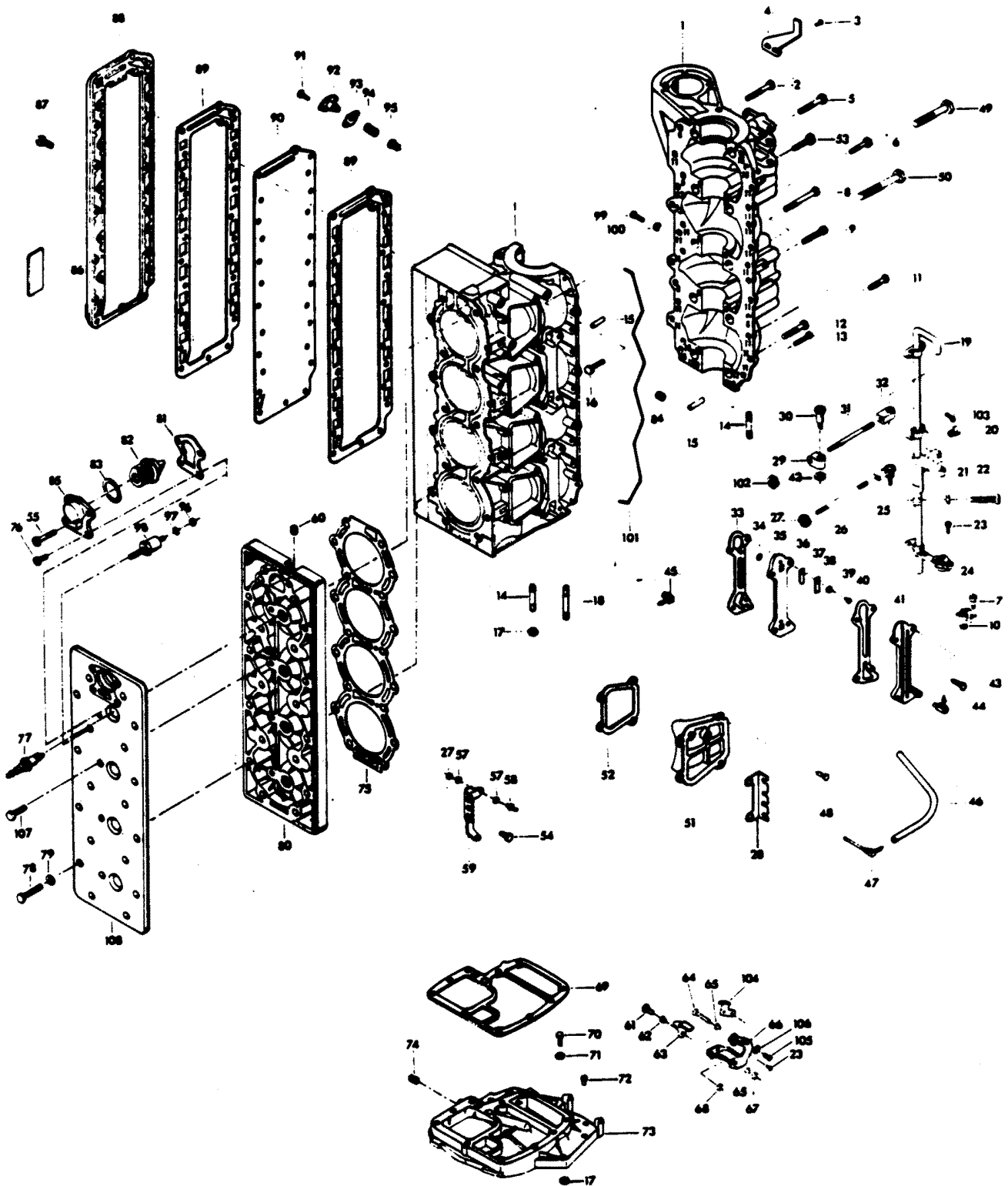


POWER HEAD

| REF. NO. | PART NO. | SYM. | QTY. | DESCRIPTION |
|----------|----------------|------|----------|--|
| 44 | 22-818103--1 | | 1 | ELBOW, CYLINDER DRAIN LOWER |
| - | F404801 | | 1 | ELBOW, CYLINDER DRAIN UPPER |
| 45 | F84314-2 | | 1 | ELBOW |
| 46 | F406754-1 | | 1 | HOSE |
| 47 | F404314 | | 1 | FITTING |
| 48 | F1502 | | 8 | HEX CAP SCREW, 1/4 - 20 X 5/8 |
| 49 | F1868 | | 1 | HEX CAP SCREW, 3/8 - 16 X 3 1/4 |
| 50 | F1873 | | 1 | HEX CAP SCREW, 3/8 - 16 X 3 |
| 51 | FA411222 | | 3 | TRANSFER PORT COVER |
| 52 | F40223 | | 4 | GASKET, TRANSFER PORT COVER |
| 53 | F2008 | | 2 | HEX HD SCREW, 1/4 - 20 X 7/8 |
| 54 | F1238 | | 4 | HEX CAP SCREW, 1/4 - 20 X 3/4 |
| 55 | F1099 | | 2 | FILL HD SCREW, 1/4 - 20 X 1 1/4 |
| 57 | F8058 | | 4 | INTERNAL TOOTH LOCKWASHER |
| 58 | F98273 | | 2 | ROD END CONNECTOR STUD |
| 59 | F321872 | | 1 | BRACKET |
| 60 | F19109 | | 1 | PLUG |
| 61 | F369887 | | 1 | SHOULDER SCREW |
| 62 | F369610 | | 1 | BEARING |
| 63 | F369977-1 | | 1 | INTERLOCK ARM |
| 64 | F1885 | | 1 | HEX BOLTS, S.S., 5/16 - 18 X 4 1/4 |
| 65 | F85610 | | 2 | BEARING |
| 66 | FA480876 | | 1 | GEAR SHIFT ARM W/SWIVEL, BEARINGS, INTERLOCK ARM AND SHOULDER SCREW |
| 67 | F2108 | | 1 | STOP NUT, 5/16 - 18 |
| 68 | F1832 | | 1 | STOP NUT, 1/4 - 20 |
| 69 | F85279-2 | | 1 | GASKET, CYLINDER EXHAUST UPPER |
| 70 | F1869 | | 6 | HEX CAP SCREW, 3/8 - 16 X 1 1/4 |
| 71 | F1703 | | 6 | LOCKWASHER |
| 72 | FA98689 | | 1 | BEARING |
| 73 | 817788A3 | | 1 | SPACER PLATE W/PLUGS |
| 74 | F2090 | | 1 | PLUG |
| 75 | F476529 | | 1 | CYLINDER HEAD GASKET |
| 76 | F1107 | | 2 | SLOTTED FILL HD CAP SCREW, 1/4 - 20 X 3/4 |
| 77 | 33-97180 | | 4 | SPARK PLUG (CHAMPION L20V) |
| - | C523227 | | 4 | SPARK PLG (CHAMPION QL-76V)FOR MODELS 1059BG, 1209BG, 1359BG |
| 78 | F2049 | | 18 | HEX CAP SCREW, 5/16 - 18 X 2 5/8 |
| 79 | F1987 | | 18 | PLAIN WASHER |
| 81 | F476067 | | 1 | GASKET |
| 82 | F335068 | | 1 | THERMOSTAT |
| 83 | F84504 | | 1 | GROMMET (THERMOSTAT) |
| 85 | F476066-1 | | 1 | THERMOSTAT COVER |
| 86 | F438398 | | 1 | DECAL, WIRING |

CONTINUED ON NEXT PAGE ➡

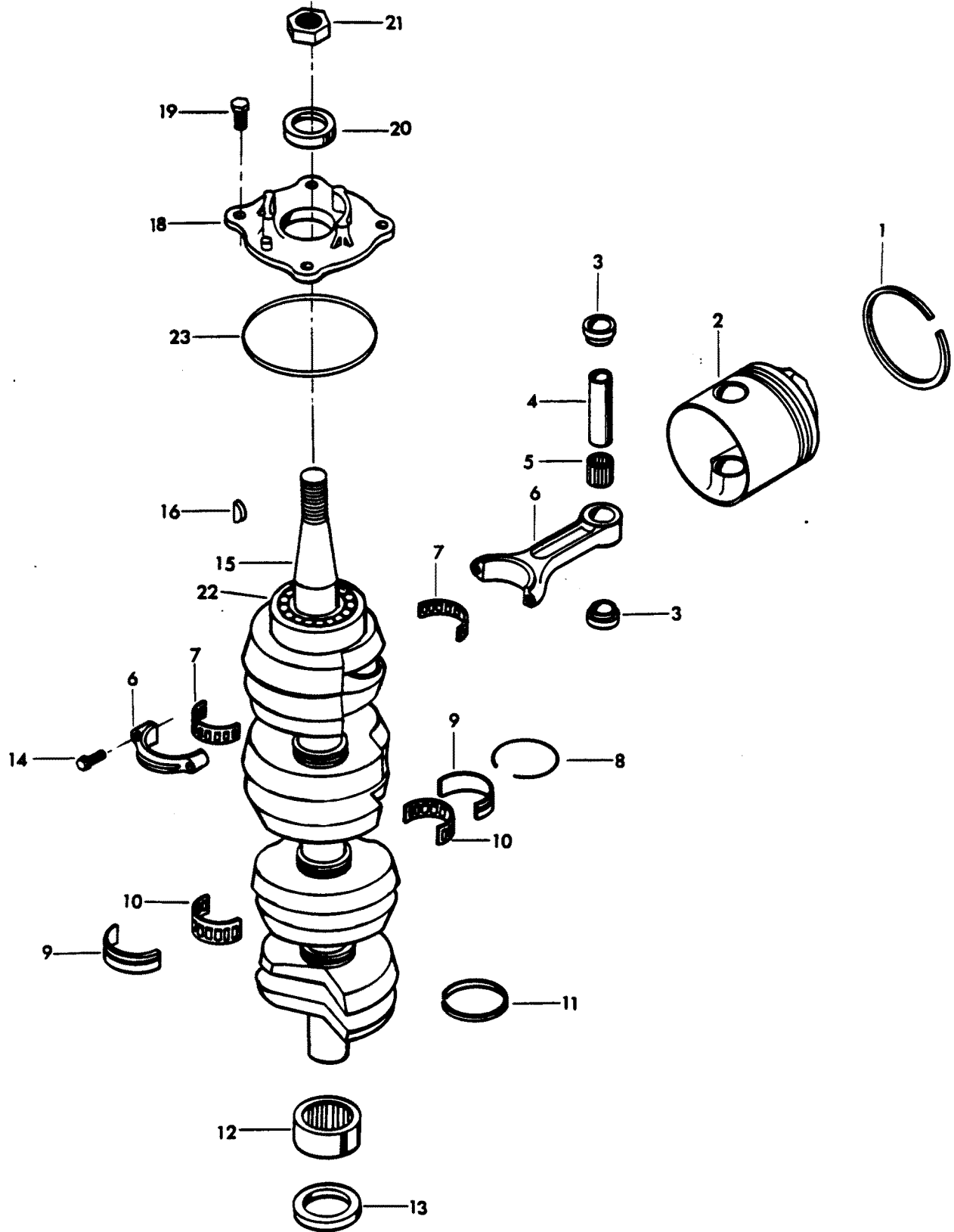
POWER HEAD



POWER HEAD

| REF. NO. | PART NO. | SYM. | QTY. | DESCRIPTION |
|----------|------------------|------|----------|--|
| 87 | F1709 | | 27 | HEX BOLT, 1/4 - 20 X 1 1/8 |
| 88 | F372152-1 | | 1 | EXHAUST PORT COVER |
| 89 | F372154-1 | | 2 | GASKET, EXHAUST PORT PLATE |
| 90 | F372151-1 | | 1 | EXHAUST PORT PLATE |
| 91 | F1950 | | 2 | HEX CAP SCREW, 10 - 24 X 5/8 |
| 92 | F438066 | | 1 | BY-PASS VALVE COVER |
| 93 | F85762 | | 1 | BY-PASS VALVE COVER GASKET |
| 94 | F404268 | | 1 | BY-PASS VALVE SPRING |
| 95 | F85916-1 | | 1 | BY-PASS VALVE |
| 96 | F1647 | | 1 | HEX NUT, 8 - 32 |
| 97 | F8056 | | 1 | LOCKWASHER |
| 98 | 87-817778A1 | | 1 | THERMOSWITCH |
| 99 | F2000 | | 1 | HEX CAP SCREW, 5/16 - 18 X 3/4 |
| 100 | F8096 | | 1 | SPRING LOCKWASHER |
| 101 | F184122-1 | | 1 | SEAL, PARTING LINE |
| 102 | F2015 | | 1 | HEX NUT, 1/4 - 28 |
| 103 | F1475 | | 4 | FILL HD SCREW, 10 - 24 X 1/2 |
| 104 | F480107-1 | | 1 | CAM STARTER INTERLOCK |
| 105 | F2089 | | 2 | SLOTTED PAN HD M. SCREW, 10 - 24 X 5/16 |
| 106 | F2042 | | 2 | PLAIN WASHER |
| 107 | F1203 | | 4 | HEX CAP SCREW, 1/4 - 20 X 7/8 |
| 108 | 523995 | | 1 | COVER CYLINDER HEAD |
| - | FG1003-1 | | 1 | GASKET SET (NOT SHOWN) |
| 1 | FA523010 | | 1 | CYLINDER W/CRANKCASE COVER, PARTING LINE SEAL, W/ SCREWS & DOWEL PINS |
| 80 | 900-817832A2 | | 1 | CYLINDER HEAD |
| - | FC523010 | | 1 | SHORT BLOCK, CONTAINS ALL ITEMS MARKED WITH AN ASTERISK. ALSO REFER TO CRANKSHAFT PAGE. |
| 1 | A476010 | | 1 | CYLINDER W/CRANKCASE COVER, PARTING LINE SEAL W/ SCREWS AND DOWEL PINS. |
| 80 | A511518-1 | | 1 | CYLINDER HEAD |
| - | C476010-1 | | 1 | SHORT BLOCK, CONTAINS ALL ITEMS MARKED WITH AN ASTERISK. ALSO REFER TO CRANKSHAFT PAGE. |
| 1 | A512010 | | 1 | CYLINDER W/CRANKCASE COVER, PARTING LINE SEAL, W/SCREW AND DOWEL PINS. |
| 80 | 900-817832A2 | | 1 | CYLINDER HEAD |
| - | C512010 | | 1 | SHORT BLOCK, CONTAINS ALL ITEMS MARKED WITH AN ASTERISK ALSO REFER TO CRANKSHAFT PAGE. |

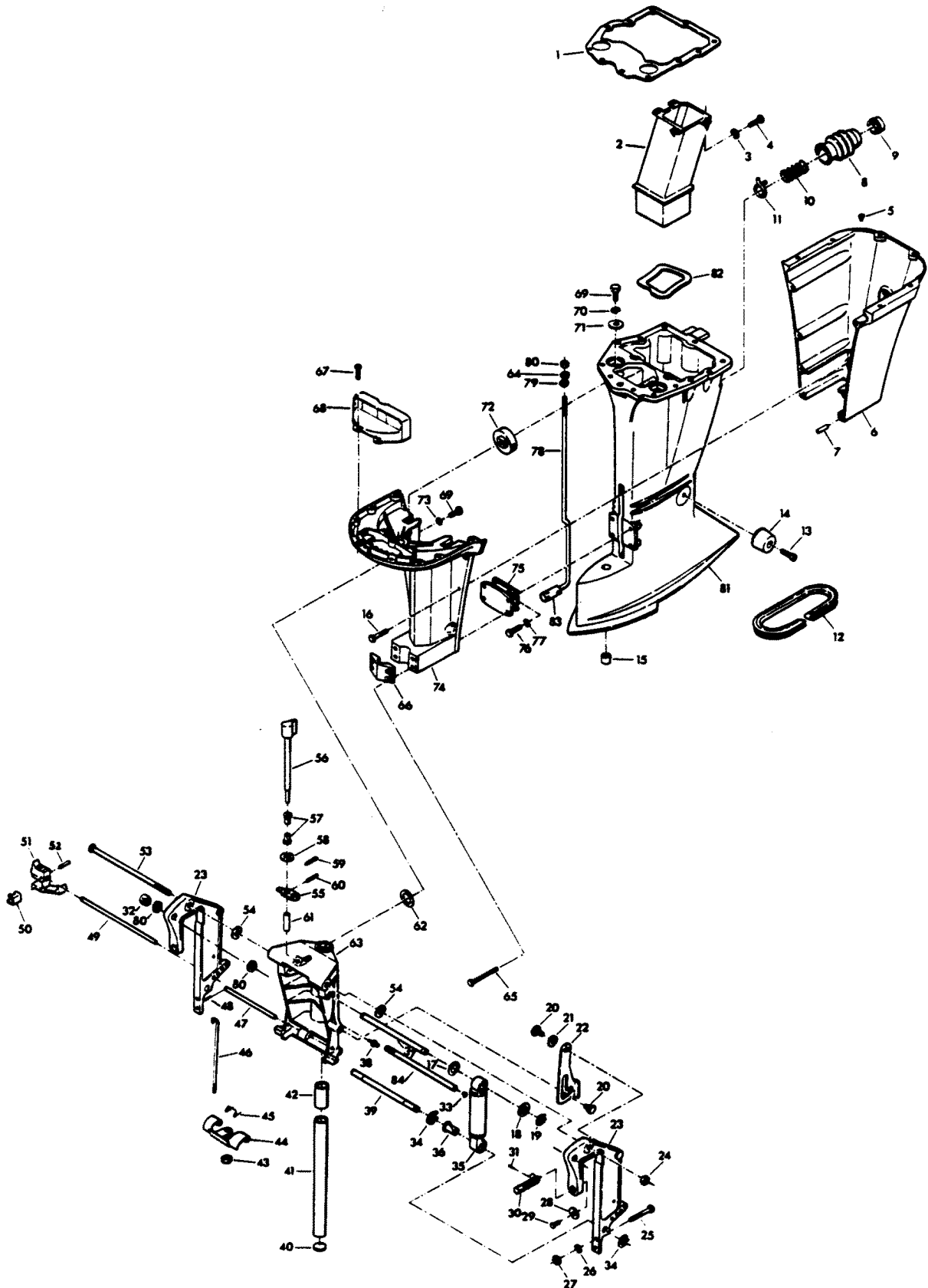
CRANKSHAFT AND PISTON GROUP



CRANKSHAFT AND PISTON GROUP

| REF. NO. | PART NO. | SYM. | QTY. | DESCRIPTION |
|----------|---------------------|------|----------|---|
| 3 | F335215 | | 8 | SPACER, PISTON PIN (2 PER PISTON) |
| 4 | F85017 | | 4 | PISTON PIN |
| 5 | F335217-1 | | 4 | BEARING, PISTON PIN (26 PER SET) |
| 6 | 600-818052A4 | | 4 | CONNECTING ROD W/CAP AND SCREWS |
| 7 | FK85228-1 | | 4 | BEARING CAGE W/ROLLER |
| 8 | F85410 | | 3 | SNAP RING |
| 9 | FA85655-1 | | 3 | CRANKSHAFT MAIN BEARING RACE W/SNAP RING |
| 10 | F85571 | | 3 | BEARING CAGE W/ROLLER |
| 11 | F316579 | | 3 | SEAL, CRANKCASE |
| 12 | 31-FA523014 | | 1 | CRANKSHAFT LOWER MAIN BEARING W/ITEM 13 ORIGINAL FORCE P/N A373014-1 |
| 13 | F523146 | | 1 | SEAL, CRANKSHAFT LOWER |
| 14 | F85634-1 | | 8 | CONNECTING ROD SCREW |
| 15 | 400-817735A4 | | 1 | CRANKSHAFT W/BEARING |
| 16 | F85498 | | 1 | FLYWHEEL KEY |
| 18 | 31-817785A2 | | 1 | CRANKSHAFT BEARING CAGE W/SEAL |
| 19 | F1867 | | 4 | HEX CAP SCREW, 3/8 - 16 X 1 |
| 20 | F84146-2 | | 1 | SEAL |
| 21 | F1968 | | 1 | FLYWHEEL NUT |
| 22 | 30-F284659-2 | | 1 | BEARING, CRANKSHAFT UPPER MAIN |
| 23 | F84278 | | 1 | SEAL |
| - | F2067 | | 1 | PLASTISOL CAP (NOT SHOWN) |
| 1 | FA335260 | | 2 | PISTON RING SET (4 PER SET) |
| 2 | 700-F372015-3 | | 4 | PISTON |
| - | FSA335260 | | 2 | PISTON RING (4 PER SET) .010 OVERSIZE (NOT SHOWN) |
| - | 39-818110A1 | | 2 | PISTON RING (4 PER SET) .030 OVERSIZE (NOT SHOWN) |
| - | 700-817988A2 | | 4 | PISTON .010 OVERSIZE (NOT SHOWN) |
| - | 700-818111A2 | | 4 | PISTON .030 OVERSIZE (NOT SHOWN) |
| 1 | FA474260 | | 2 | PISTON RING SET FOR 2 PISTONS |
| 2 | F475015-4 | | 4 | PISTON |
| - | FSA474260 | | 2 | PISTON RING SET FOR 2 PISTONS .010 OVERSIZE (NOT SHOWN) |
| - | 39-818122A1 | | 2 | PISTON RING SET FOR 2 PISTONS .030 OVERSIZE (NOT SHOWN) |
| - | SA475015 | | 4 | PISTON .010 OVERSIZE (NOT SHOWN) |
| - | 3SA475015 | | 4 | PISTON .030 OVERSIZE (NOT SHOWN) |

MOTOR LEG

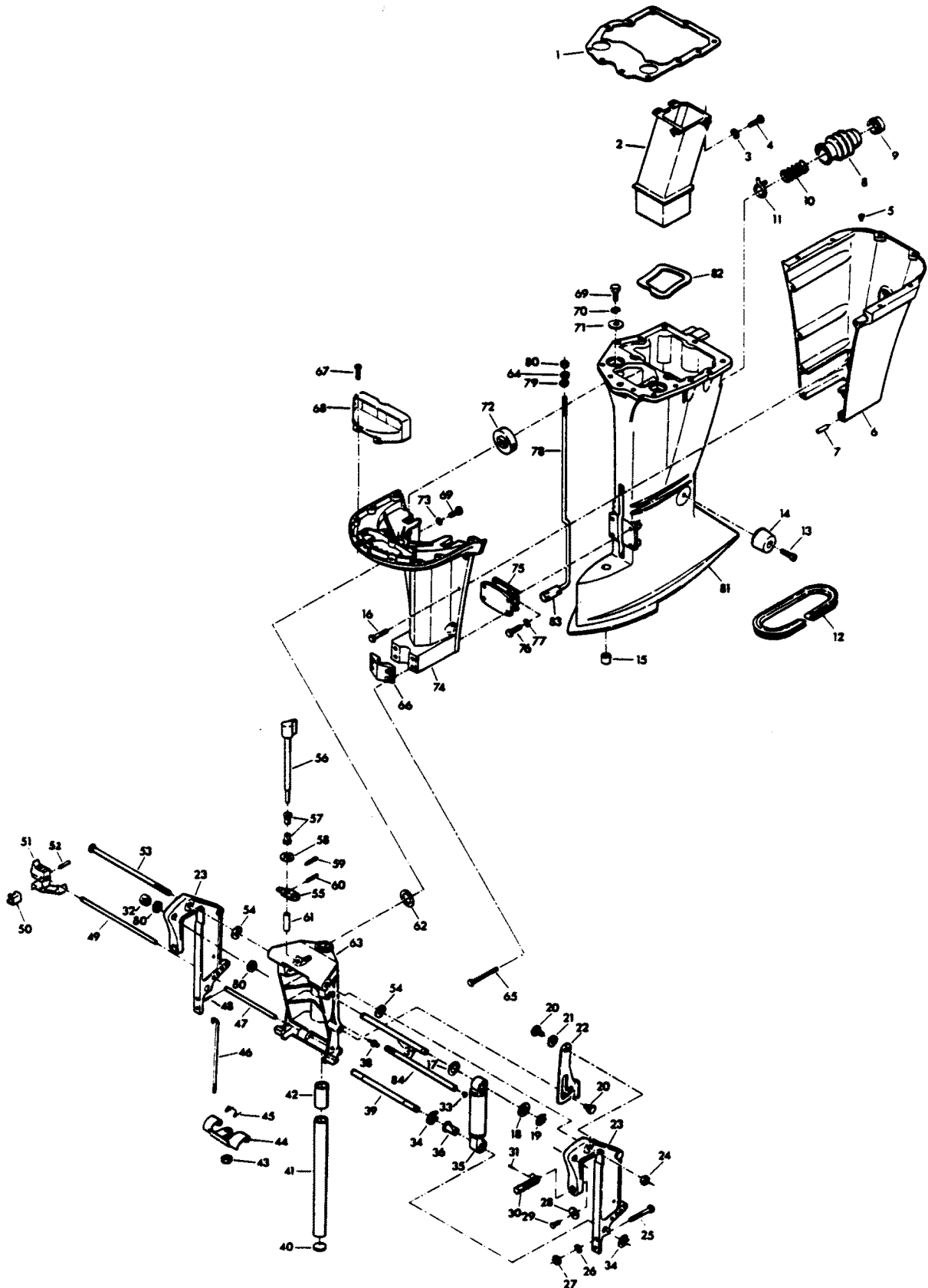


MOTOR LEG

| REF. NO. | PART NO. | SYM. | QTY. | DESCRIPTION |
|----------|---------------|------|------|--|
| 1 | F85453-1 | | 1 | GASKET EXHAUST LOWER |
| 2 | F85660-1 | | 1 | EXHAUST TUBE |
| 3 | F8083 | | 4 | SPRING LOCKWASHER |
| 4 | F1864 | | 4 | HEX SLOT HD SCREW 1/4 - 20 X 3/4 |
| 5 | F1729 | | 2 | PLUG |
| 7 | F1664 | | 2 | SPRING PIN |
| 8 | F85130 | | 1 | BOOT IDLE EXHAUST |
| 9 | F85258 | | 1 | INSERT |
| 10 | F85380 | | 1 | SPRING |
| 11 | F85772 | | 1 | CLAMP |
| 12 | F178323 | | 1 | SEAL, MOTOR LEG |
| 13 | F1263 | | 2 | HEX SOCKET HD CAP SCREW 5/16 - 18 X 9/16 |
| 14 | F438962 | | 2 | SHOCK MOUNT LOWER REAR |
| 15 | F338618-1 | | 1 | SEAL GEAR SHIFT ROD |
| 16 | F2030 | | 6 | HEX HD M. SCREW 1/4 - 20 X 1-1/4 |
| 17 | F1711 | | 2 | SPRING BOWED WASHER |
| 18 | F1710 | | 2 | PLAIN WASHER |
| 19 | F178208 | | 2 | RETAINING RING |
| 20 | F85350-1 | | 2 | TILT STOP PIVOT |
| 21 | F1666 | | 1 | SPRING BOWED WASHER |
| 22 | F85541-1 | | 1 | TILT LOCK |
| 23 | 1400-817958A6 | | 2 | STERN BRACKET |
| 24 | F7012 | | 1 | STOP NUT |
| 25 | F1593 | | 2 | HEX HD SCREW 3/8 - 16 X 3 |
| 26 | F1904 | | 2 | PLAIN WASHER |
| 27 | F1346 | | 2 | HEX NUT |
| 28 | F84074 | | 2 | CLAMP SCREW FOOT |
| 29 | F353480 | | 2 | STUD |
| 30 | F474073-1 | | 2 | CLAMP SCREW |
| 31 | F8538 | | 2 | SPRING PIN |
| 32 | F9018 | | 1 | CAP |
| 33 | F9052 | | 1 | PLUG |
| 34 | F178173 | | 4 | RETAINING RING |
| 35 | FA178962 | | 2 | SHOCK ABSORBER W/BUSHING |
| 36 | F178362 | | 2 | BEARING |
| 37 | F178889 | | 1 | SHAFT, SHOCK MOUNT UPPER |
| 38 | F213274 | | 3 | GREASE FITTING |
| 39 | F178632 | | 1 | SHAFT, SHOCK MOUNT LOWER |
| 40 | F1528 | | 1 | WELCH PLUG |
| 41 | FA85019 | | 1 | KINGPIN W/PLUG |
| 42 | F438169 | | 2 | BEARING |
| 43 | F1669 | | 1 | LOCK NUT |
| 44 | F369349 | | 1 | REVERSE LOCK |

CONTINUED ON NEXT PAGE ➡

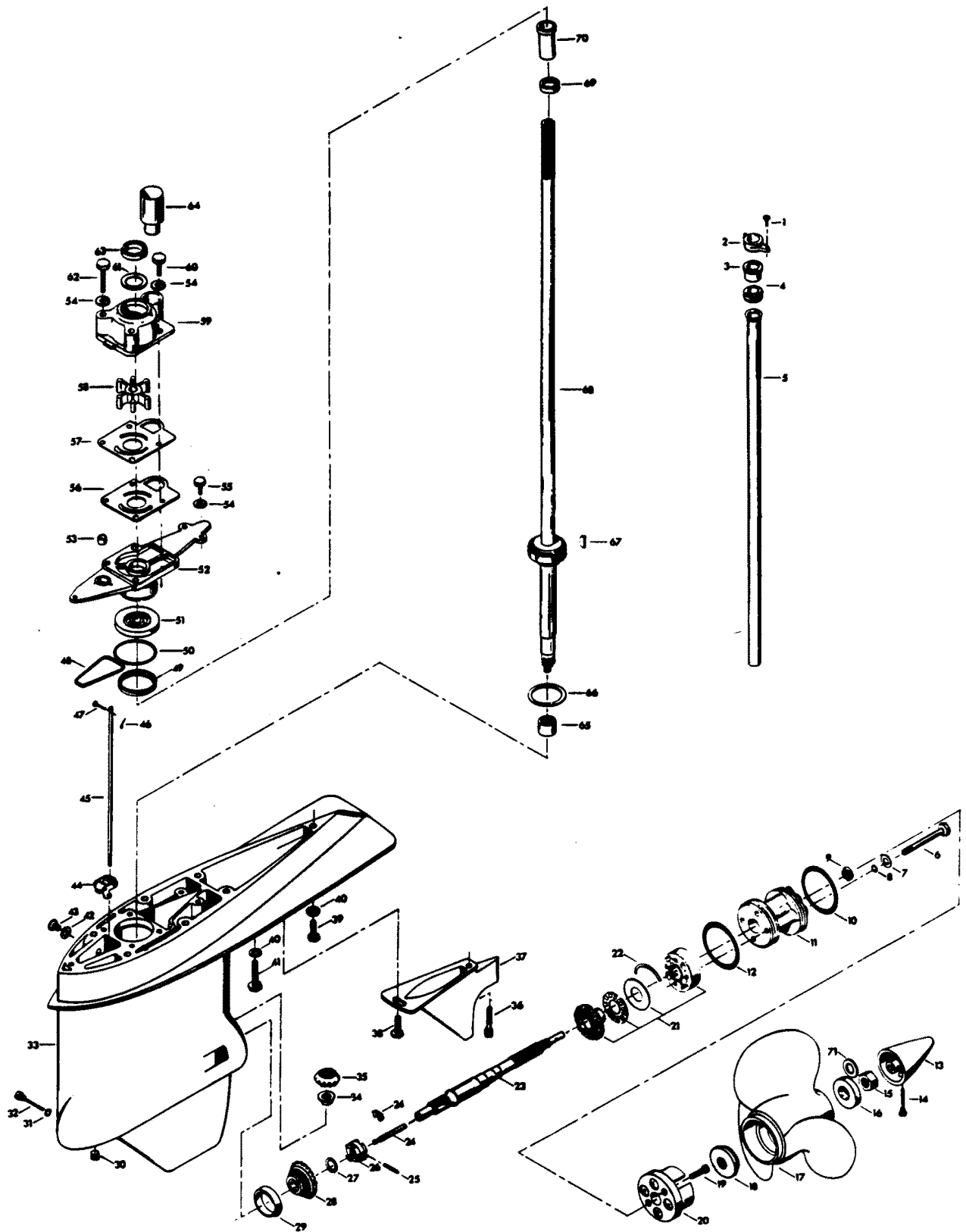
MOTOR LEG



MOTOR LEG

| REF. NO. | PART NO. | SYM. | QTY. | DESCRIPTION |
|----------|------------------|------|----------|---|
| 45 | F85300 | | 1 | REVERSE LOCK SPRING |
| 46 | F369510 | | 1 | LINK REVERSE LOCK |
| 47 | F177350 | | 1 | REVERSE LOCK PIN |
| 48 | F1744 | | 1 | SPRING PIN |
| 49 | FA438113 | | 1 | STERN BRACKET LOCK BAR W/HANDLE |
| 50 | F286461 | | 1 | SPRING, LOCK BAR HANDLE |
| 51 | F433114 | | 1 | HANDLE, LOCK BAR |
| 52 | F1744 | | 1 | SPRING PIN |
| 53 | F85037-1 | | 1 | STERN BRACKET PIVOT BOLT |
| 54 | F84286-1 | | 4 | FRICITION WASHER |
| 55 | F369364 | | 1 | REVERSE LOCK ARM |
| 56 | F369827 | | 1 | HANDLE AND SHAFT |
| 57 | F197813 | | 2 | BEARING |
| 58 | F8094 | | 1 | PLAIN WASHER |
| 59 | F1014 | | 1 | COTTER PIN |
| 60 | F1836 | | 1 | SPRING PIN |
| 61 | F369884 | | 1 | BEARING |
| 62 | F84011 | | 1 | WASHER |
| 63 | 817783A5 | | 1 | SWIVEL BRACKET W/BEARINGS AND GREASE FITTINGS |
| 64 | F1987 | | 1 | PLAIN WASHER |
| 65 | F1696 | | 4 | HEX BOLT 5/16 - 18 X 1 3/4 |
| 66 | F85606 | | 1 | KINGPIN CAP |
| 67 | F1912 | | 4 | HEX HD SCREW 10 - 24 X 1/2 |
| 68 | F85779-1 | | 1 | BAFFLE, AIR INTAKE |
| 69 | F1871 | | 4 | HEX HD SCREW 3/8 - 16 X 3/4 |
| 70 | F2014 | | 2 | PLAIN WASHER |
| 71 | FA85355-1 | | 2 | WASHER |
| 72 | F85965 | | 2 | SHOCK MOUNT UPPER |
| 73 | F1703 | | 2 | SPRING LOCKWASHER |
| 74 | A85135-3 | | 1 | LEG COVER FRONT |
| 75 | F438346 | | 1 | SHOCK MOUNT LOWER |
| 76 | F1822 | | 4 | HEX BOLT 5/16 - 18 X 7/8 |
| 77 | F8096 | | 4 | SPRING LOCKWASHER |
| 78 | F85615 | | 1 | GEAR SHIFT ROD UPPER |
| 79 | F2108 | | 2 | LOCK NUT |
| 80 | F523280 | | 1 | NUT, STEERING SUPPORT TUBE |
| 81 | F523133-1 | | 1 | MOTOR LEG |
| 82 | F439736 | | 1 | SEAL, EXHAUST TUBE |
| 83 | F85704 | | 1 | COUPLER, GEAR SHIFT ROD |
| 84 | F511125-1 | | 1 | TUBE, STEERING SUPPORT |
| - | F474390-1 | | 1 | DECAL, REVERSE LOCK (NOT SHOWN) |

GEAR HOUSING

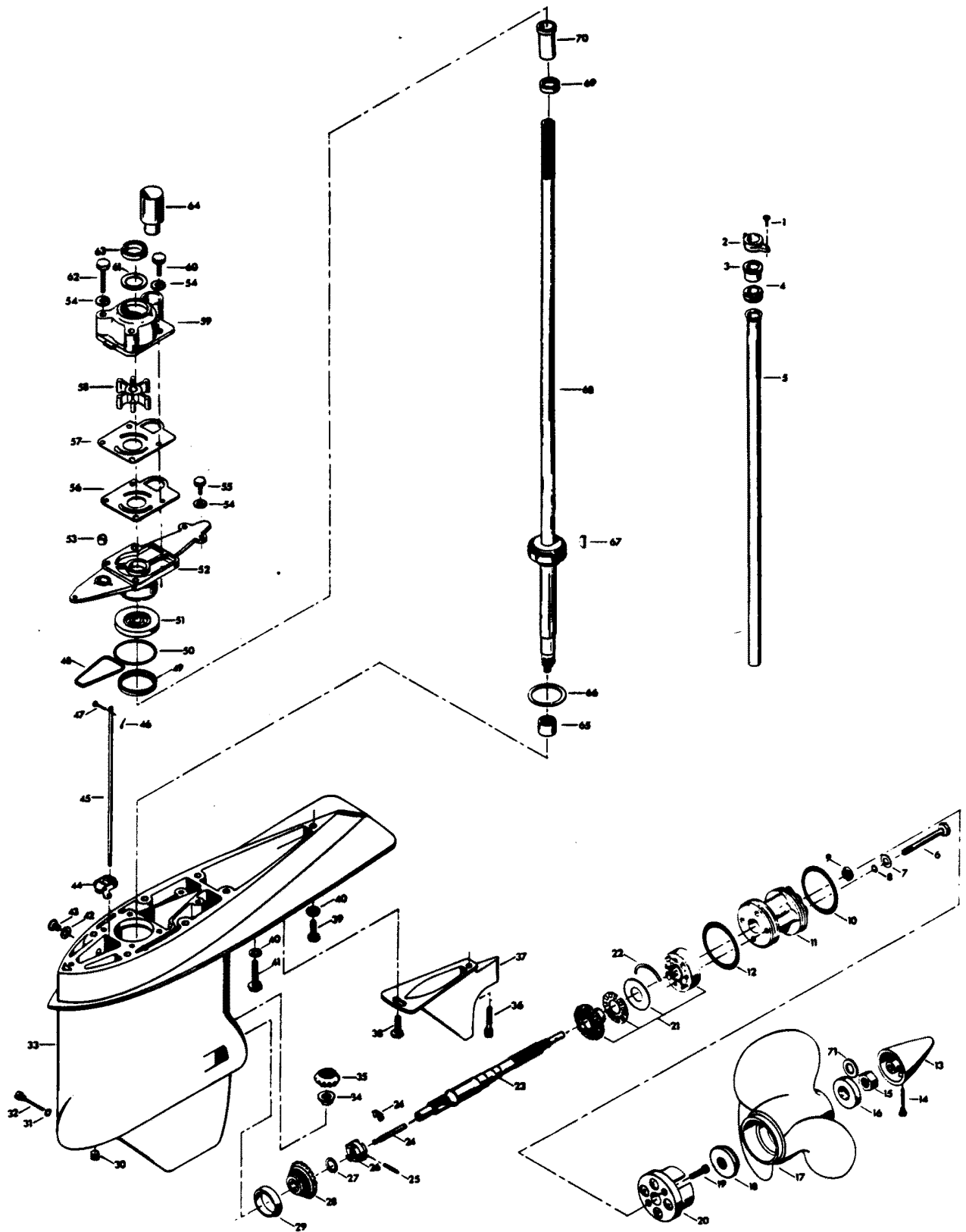


GEAR HOUSING

| REF. NO. | PART NO. | SYM. | QTY. | DESCRIPTION |
|----------|--------------|------|----------|--|
| 1 | F1705 | | 2 | HEX CAP SCREW, 1/4 - 20 X 3/4 |
| 2 | F85117 | | 1 | BRACKET, WATER LINE |
| 3 | F84342 | | 1 | SEAL, INLET WATER LINE, UPPER |
| 4 | F523899 | | 1 | GROMMET, WATER LINE |
| 5 | F523244 | | 1 | INLET WATER LINE |
| 6 | F1885 | | 4 | HEX CAP SCREW, 5/16 - 18 X 4 1/4 |
| 7 | F1907 | | 4 | PLAIN WASHER |
| 8 | F50342-1 | | 4 | SEAL, "O" RING |
| 9 | F506118 | | 1 | SEAL, PROPELLER SHAFT |
| 10 | F24278 | | 1 | SEAL, "O" RING PROPELLER SHAFT SPOOL |
| 11 | F2A523239 | | 1 | SPOOL, PROPELLER SHAFT BEARING W/SEALS |
| 12 | F84305 | | 1 | SEAL, "O" RING PROPELLER SHAFT SPOOL |
| 13 | F523094 | | 1 | PROPELLER NUT |
| 14 | F90891 | | 1 | PIN, PROPELLER NUT RETAINING |
| 15 | F1788 | | 1 | STOP NUT |
| 16 | F523282 | | 1 | WASHER |
| 17 | FP523 | | 1 | PROPELLER - 105 & 120 H.P. (ACCESSORY ITEM) |
| - | FP524 | | 1 | PROPELLER - 135 H.P. (ACCESSORY ITEM) |
| 18 | F523099 | | 1 | SPACER, PROPELLER |
| 19 | F1577 | | 2 | FILL HD SCREW, 1/4 - 20 X 3/4 |
| 20 | FA523485 | | 1 | ANTICORROSION ANODE |
| 21 | F2A523662 | | 1 | BEVEL GEAR REAR W/BEARING CAGE SPACER AND BEARING |
| 22 | F523411 | | 2 | RETAINING RING, BEARING CAGE |
| 23 | FA523098 | | 1 | PROPELLER SHAFT |
| 24 | FA84871-1 | | 1 | PIN, GEAR SHIFT W/YOKE |
| 25 | F1713 | | 1 | SPRING PIN |
| 26 | F84521-1 | | 1 | CLUTCH |
| 28 | F2A523023 | | 1 | BEVEL GEAR FRONT W/BEARING |
| 29 | F523813 | | 1 | BEARING CUP |
| 30 | F19109 | | 1 | PLUG |
| 31 | F8001 | | 1 | WASHER |
| 32 | F90891 | | 1 | PIN, GEAR SHIFT ARM |
| 33 | FA523054 | | 1 | GEAR HOUSING W/BEARING CUP, DRIVESHAFT BEARING LOWER, PLUGS AND WASHERS |
| 34 | F523188 | | 1 | NUT, BEVEL PINION |
| 35 | FA523266 | | 1 | BEVEL PINION GEAR W/CRUSH RING AND SHIMS |
| 36 | F1994 | | 1 | HEX SOCKET HD CAP SCREW, 5/16 - 18 X 1 |
| 37 | F523116 | | 1 | EXHAUST SNOUT |
| 38 | F438930 | | 1 | RETAINER, SNOUT |
| 39 | F1858 | | 1 | HEX CAP SCREW, 5/16 - 18 X 1 |
| 40 | F8096 | | 7 | SPRING LOCKWASHER |
| 41 | F1491 | | 6 | HEX HD SCREW, 5/16 - 18 X 3 1/4 |
| 42 | F8077 | | 2 | WASHER, GEAR HOUSING PLUG |

CONTINUED ON NEXT PAGE ➡

GEAR HOUSING



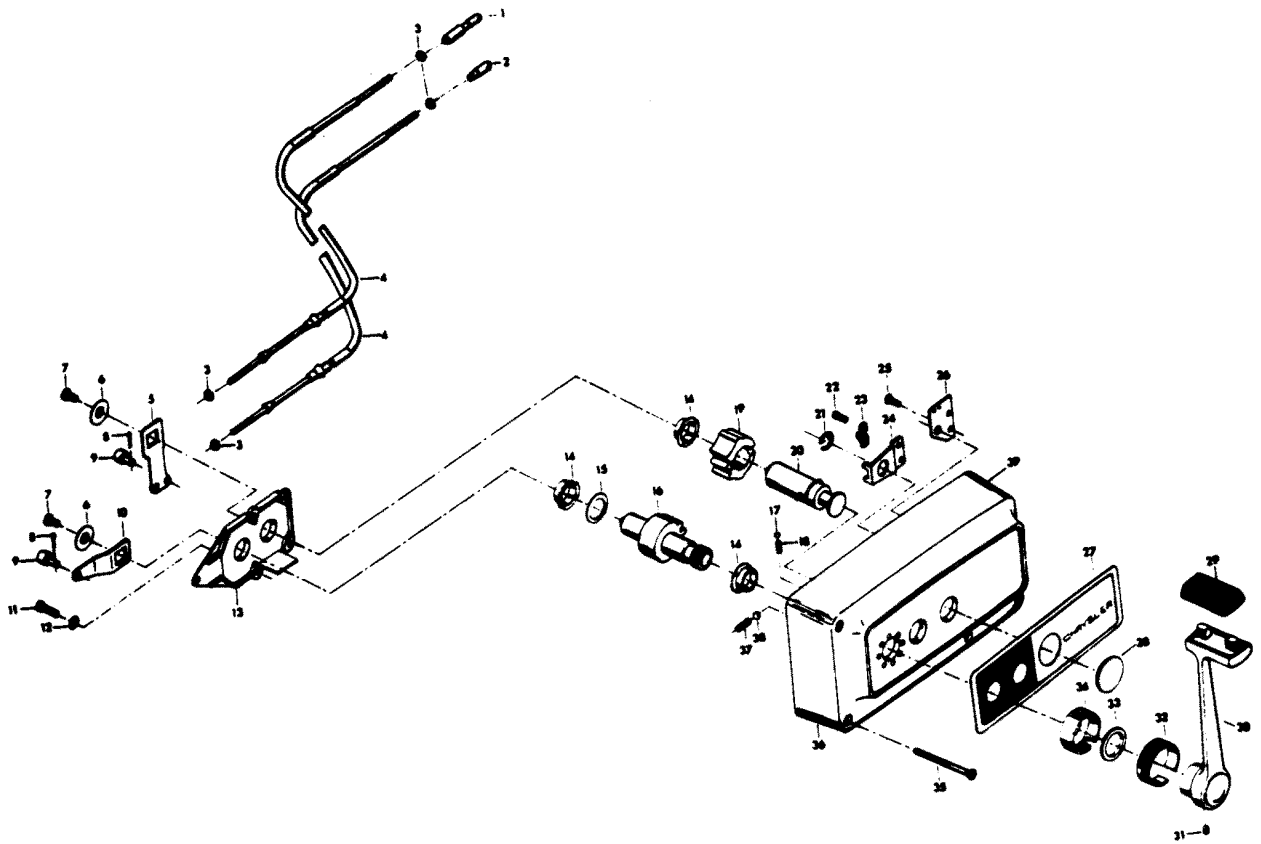
GEAR HOUSING

| REF. NO. | PART NO. | SYM. | QTY. | DESCRIPTION |
|----------|-----------------|------|----------|---|
| 43 | F50109 | | 2 | PLUG, GEAR HOUSING |
| 44 | FA84621-1 | | 1 | COUPLING, GEAR SHIFT ARM W/BUSHING |
| 45 | F523705 | | 1 | GEAR SHIFT ROD LOWER |
| 46 | F1015 | | 1 | COTTER PIN |
| 47 | F85372 | | 1 | PIN, GEAR SHIFT ROD LOWER |
| 48 | F523555 | | 1 | SEAL, "O" RING, GEAR HOUSING COVER |
| 49 | F523961 | | 1 | CRUSH RING |
| 50 | F74305 | | 1 | SEAL, DRIVESHAFT BEARING CAGE |
| 51 | F84307-1 | | 1 | SEAL, DRIVESHAFT |
| 52 | FA523706 | | 1 | GEAR HOUSING COVER W/SEALS |
| 53 | F338618-1 | | 1 | SEAL, GEAR SHIFT ROD |
| 54 | F8083 | | 7 | SPRING LOCKWASHER |
| 55 | F1999 | | 3 | HEX CAP SCREW, 1/4 - 20 X 7/8 |
| 56 | F523031 | | 1 | GASKET, WATER PUMP |
| 57 | F523562 | | 1 | PLATE, WATER PUMP |
| 58 | F523065 | | 1 | IMPELLER, WATER PUMP |
| 59 | FA523060 | | 1 | WATER PUMP BODY W/DRIVESHAFT SEAL, DISC AND WATERLINE SEAL |
| 60 | F1990 | | 2 | HEX CAP SCREW, 1/4 - 20 X 1 5/8 |
| 61 | F480388 | | 1 | DISC, WATER PUMP LOCATING |
| 62 | F1425 | | 2 | HEX CAP SCREW, 1/4 - 20 X 1 5/8 |
| 63 | F351307 | | 1 | SEAL, DRIVESHAFT - WATER PUMP |
| 64 | FA523735 | | 1 | SEAL, INLET WATER LINE, LOWER |
| 65 | F523057 | | 1 | BEARING, DRIVESHAFT LOWER |
| 67 | F523498 | | 1 | DRIVE KEY, WATER PUMP |
| 68 | FK523128 | | 1 | DRIVESHAFT W/BEARING, SHIMS AND CRUSH RING |
| 69 | F438271 | | 1 | RETAINER, CRANKSHAFT SPLINE SEAL |
| 70 | F438129 | | 1 | SEAL, DRIVESHAFT SPLINE |
| 71 | F1866 | | 1 | PLAIN WASHER |
| - | FC523054 | | 1 | GEAR HOUSING COMPLETE (INCLUDES ALL ITEMS MARKED WITH AN ASTERISK *) |

FUEL TANK AND LINE

| REF. NO. | PART NO. | SYM. | QTY. | DESCRIPTION |
|----------|-----------------|------|----------|---------------------------------------|
| 1 | F409251-1 | | 1 | GAUGE CAP |
| 2 | F71H08 | | 1 | FUEL TANK (ACCESSORY ITEM) |
| 3 | F485755 | | 1 | FUEL TANK ADAPTER |
| 4 | F213342 | | 1 | SEAL, FUEL LINE COUPLER (LARGE) |
| 5 | F213735 | | 1 | SEAL, FUEL LINE COUPLER (SMALL) |
| 6 | F197787-2 | | 1 | FUEL LINE COUPLER |
| 7 | F298788 | | 3 | FERRULE |
| 8 | FA84754-1 | | 1 | FUEL LINE SHORT W/FERRULES |
| 9 | 89396A38 | | 1 | PRIME BULB |
| 10 | 32-817738A1 | | 1 | FUEL LINE LONG W/CLAMP AND FERRULE |
| 11 | F97772 | | 1 | FUEL LINE CLAMP |
| 12 | F17932 | | 1 | SEAL, FUEL LINE COUPLER |
| - | FS409752 | | 1 | FUEL LINE COMPLETE (NOT SHOWN) |

REMOTE CONTROL

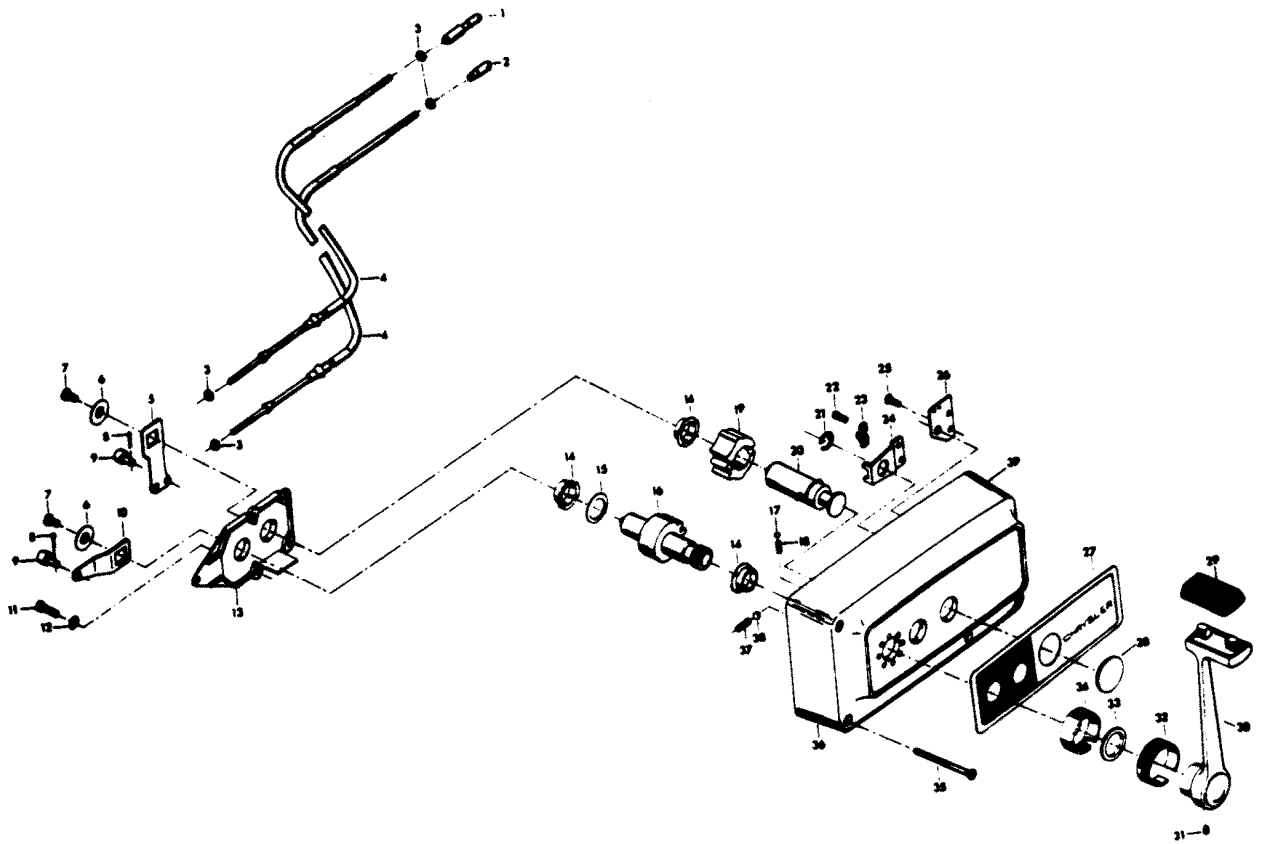


REMOTE CONTROL

| REF. NO. | PART NO. | SYM. | QTY. | DESCRIPTION |
|----------|---------------|------|----------|---------------------------------------|
| 1 | FA58976-1 | | 1 | CONNECTOR, THROTTLE CABLE |
| 2 | F58685-2 | | 1 | CONNECTOR, SHIFT CABLE |
| 3 | F1513 | | 4 | HEX NUT |
| 4 | ÄF58356// | | 2 | REMOTE CONTROL CABLE (SPECIFY LENGTH) |
| 5 | F17019 | | 1 | CLUTCH ARM |
| 6 | F17036 | | 2 | INTERNAL TOOTH LOCKWASHER |
| 7 | F1715 | | 2 | HEX BOLT, 1/4 - 28 X 9/16 |
| 8 | F17015 | | 2 | COTTER PIN |
| 9 | F17016 | | 2 | CABLE TERMINAL |
| 10 | F17014 | | 1 | THROTTLE ARM |
| 11 | F17013 | | 2 | FILL HD SCREW, 1/4 - 20 X 1/2 |
| 12 | F17020 | | 2 | INTERNAL TOOTH LOCKWASHER |
| 13 | F17012 | | 1 | RETAINING PLATE |
| 14 | F17009 | | 3 | BEARING |
| 15 | F17011 | | 1 | BOWED WASHER |
| 16 | F17010-1 | | 1 | THROTTLE GEAR |
| 17 | F17111 | | 1 | DETENT BALL |
| 18 | F17006 | | 1 | DETENT SPRING |
| 19 | F17021 | | 1 | CLUTCH GEAR |
| 20 | F17100 | | 1 | CLUTCH SHAFT |
| 21 | F17092 | | 1 | SNAP RING |
| 22 | F17107 | | 2 | FILL HD SCREW, 10 - 24 X 5/16 |
| 23 | F154317 | | 1 | CABLE CLAMP |
| 24 | F17026 | | 1 | SWIVEL |
| 25 | F1557 | | 2 | FLAT HD SCREW, 10 - 24 X 3/8 |
| 26 | F17112 | | 1 | JUNCTION BOARD, STARBOARD |
| - | F17113 | | 1 | JUNCTION BOARD, PORT |
| 27 | F17101 | | 1 | DECAL, STARBOARD |
| - | 17102 | | 1 | DECAL, PORT |
| 28 | F17031 | | 1 | SNAP CAP |
| 29 | F17116 | | 1 | KNOB |
| 30 | F17115 | | 1 | HANDLE |
| 31 | F17030-1 | | 1 | SET SCREW |
| 32 | FK17114-1 | | 1 | INDICATOR |
| 33 | F17105 | | 1 | FELT WASHER |
| 34 | F17106 | | 1 | COLLAR |
| 35 | 17108 | | 3 | WOOD SCREW |

CONTINUED ON NEXT PAGE ➡

REMOTE CONTROL



REMOTE CONTROL

| REF. NO. | PART NO. | SYM. | QTY. | DESCRIPTION |
|----------|--------------|------|----------|---|
| 36 | F17068 | | 1 | HOUSING |
| 37 | F17008 | | 1 | DETENT SPRING |
| 38 | F17082-1 | | 1 | DETENT BALL |
| 39 | F72H36 | | 1 | REMOTE CONTROL UNIT, SINGLE LEVER STARBOARD MOUNT (ACCESSORY ITEM) |
| - | F1280 | | 2 | PAN HD SCREW, 8 - 32 X 1/4 (TERMINAL BOARD) (NOT SHOWN) |

SPECIAL TOOLS - TUNE-UP

| REF. NO. | PART NO. | SYM. | QTY. | DESCRIPTION |
|----------|-----------|------|------|---|
| - | FT8948-1 | | 0 | FLYWHEEL PULLER TO REMOVE FLYWHEEL. |
| - | FTA2937-1 | | 0 | TIMING TOOL TO SET INITIAL SPARK ADVANCE. |
| - | FT8978 | | 0 | POWER TIMING LIGHT FOR FINAL ADJUSTMENT OF SPARK ADVANCE. |

SPECIAL TOOLS - POWER HEAD

| REF. NO. | PART NO. | SYM. | QTY. | DESCRIPTION |
|-------------|----------|------|------|--|
| - | FT8914 | | 0 | SEAL REMOVER TO REMOVE UPPER CRANKSHAFT BEARING CAGE SEAL. |
| - | FT8903 | | 0 | SEAL INSTALLER TO INSTALL UPPER CRANKSHAFT BEARING CAGE SEAL. |
| - | FT8927 | | 0 | SEAL PROTECTOR TO INSTALL UPPER CRANKSHAFT BEARING CAGE SEAL. |
| - | FT8907 | | 0 | DRIVE HANDLE USED WITH T8910, T8909, T8908 AND T8903. |
| - | FT8922 | | 0 | SLIDE HAMMER TO REMOVE UPPER CRANKSHAFT BEARING CAGE SEAL. ALSO USED TO REMOVE BEARING CUPS FROM PROPELLER SHAFT BEARING CAGE. |
| - | FT2953 | | 0 | SOCKET TO TORQUE CONNECTING ROD SCREWS. |
| - | FT2990 | | 0 | PISTON PIN TOOL TO REMOVE AND INSTALL PISTON PINS (105 - 120). |
| - | FTA8994 | | 0 | PISTON PIN TOOL TO REMOVE AND INSTALL PISTON PINS (135). |
| - | FT2996 | | 0 | RING COMPRESSOR TO INSTALL PISTON RINGS. |
| - | FT8926 | | 0 | RING EXPANDER TO INSTALL PISTON RINGS. |

SPECIAL TOOLS - GEAR HOUSING

| REF. NO. | PART NO. | SYM. | QTY. | DESCRIPTION |
|----------|----------|------|------|---|
| - | FT8948-1 | | 0 | PROPELLER SHAFT BEARING CAGE PULLER TO REMOVE PROPELLER SHAFT BEARING CAGE FROM GEAR HOUSING. |
| - | FT8908 | | 0 | PROPELLER SHAFT SEAL INSTALLER TO INSTALL PROPELLER SHAFT SEAL IN PROPELLER SHAFT BEARING CAGE. |
| - | FT8915 | | 0 | PROPELLER SHAFT SEAL PROTECTOR TO INSTALL PROPELLER SHAFT SEAL IN PROPELLER SHAFT BEARING CAGE. |
| - | FT8925 | | 0 | DRIVESHAFT SEAL INSTALLER TO INSTALL DRIVESHAFT SEAL IN UPPER HOUSING. |
| - | FT8907 | | 0 | DRIVER HANDLE TO INSTALL BEARING CUPS AND SEALS. |
| - | FT8901 | | 0 | INDICATOR HOLDER USED IN CONJUNCTION WITH T8997. |
| - | FT8902 | | 0 | DIAL INDICATOR USED IN CONJUNCTION WITH T8997. |
| - | FT8919 | | 0 | SPRING PIN PUNCH TO REMOVE CLUTCH SPRING PIN. |
| - | FT8957 | | 0 | SEAL INSTALLER TO INSTALL SHIFT ROD SEAL. |
| - | FT8997 | | 0 | SHIMMING TOOL TO SHIM LOWER UNIT. |

SPECIAL TOOLS - TEST EQUIPMENT

| REF. NO. | PART NO. | SYM. | QTY. | DESCRIPTION |
|----------|----------|------|------|--|
| - | FT8933 | | 0 | LIFTING HOOK TO LIFT ENGINE. |
| - | FT8950 | | 0 | LEAKAGE TESTER TO TEST LOWER UNIT SEALS FOR LEAKAGE. |

ACCESSORIES

| REF. NO. | PART NO. | SYM. | QTY. | DESCRIPTION |
|----------|----------|------|------|---|
| - | F861 | | 0 | FLUSHING ADAPTER PERMITS FRESH WATER FLUSHING OF WATER PASSAGES WITH STANDARD GARDEN HOSE. |
| - | F72H36 | | 0 | SYNCHRO-DRIVE CONTROL BOX (SINGLE LEVER) PERMITS REMOTE CONTROL OF THROTTLE AND GEAR SHIFT FROM STARBOARD SIDE OF BOAT. |
| - | 73H08 | | 0 | PORT SIDE DECAL KIT CONVERTS 72H36 CONTROL BOX TO PORT SIDE MOUNTING. |
| - | F590 | | 0 | SYNCHRO-DRIVE CONTROL HEAD (SINGLE LEVER) FLUSH MOUNT CONTROL UNIT PERMITS REMOTE CONTROL OF THROTTLE AND GEAR SHIFT. MAY BE MOUNTED ON PORT OR STARBOARD SIDE OF BOAT. |
| - | 865 | | 0 | TWIN SYNCHRO-DRIVE CONTROL BOX PERMITS REMOTE CONTROL OF THROTTLE AND GEAR SHIFT ON TWIN ENGINE INSTALLATIONS. MAY BE MOUNTED ON PORT OR STARBOARD SIDE OF BOAT. |
| - | F75H07 | | 0 | SYNCHRO-DRIVE CONTROL BOX FOR MOUNTING ON CONSOLE OF BOAT. |
| - | F75H08 | | 0 | TWIN SYNCHRO-DRIVE CONTROL BOX FOR MOUNTING ON CONSOLE OF BOAT. |
| - | F195/___ | | 0 | REMOTE CONTROL CABLES CONNECTS REMOTE CONTROL BOX TO THROTTLE AND GEAR SHIFT ON ENGINE. AVAILABLE IN 6 THROUGH 20 FOOT - LENGTHS. |
| - | F165 | | 0 | REMOTE STEERING BRACKET ADAPTS ENGINE TO CABLE TYPE REMOTE STEERING. |
| - | F166 | | 0 | DUAL ENGINE TIE BAR PERMITS DUAL ENGINE INSTALLATIONS. |
| - | F862 | | 0 | STEEL, 6 GALLON FUEL TANK ADDITIONAL TANK TO CARRY FUEL RESERVE. |
| - | F71H08 | | 0 | STEEL, 6 GALLON FUEL TANK (LOW PROFILE) |
| - | F71H12 | | 0 | TANK ANCHOR SECURES 71H08 TO BOAT. |
| - | F71H23 | | 0 | STEEL, 12 GALLON FUEL TANK |
| - | F70H01 | | 0 | ANTI-CORROSION KIT ELECTRICAL KIT FOR MOUNTING ON BOAT (12V) TO REDUCE CORROSION. |
| - | F71H02 | | 0 | ANTI-CORROSION SACRIFICIAL ANODE KIT USED TO REDUCE CORROSION. |
| - | F71H30 | | 0 | OVERHEAT BUZZER SOUNDS WARNING BUZZER IF ENGINE OVERHEATS. |
| - | F75H16 | | 0 | POWER TRIM INDICATOR INDICATES ENGINE TRIM ANGLE, (FLUSH MOUNT) |
| - | 75H19 | | 0 | POWER TRIM INDICATOR INDICATES ENGINE TRIM ANGLE, (SURFACE MOUNT) |
| - | 72H31 | | 0 | FROST WHITE LACQUER ENGINE TOUCH-UP PAINT IN 16 OZ. SPRAY BOMBS (12 CANS PER CASE). |
| - | 72H32 | | 0 | GOLD LACQUER ENGINE TOUCH-UP PAINT IN 6 OZ. SPRAY BOMBS (12 CANS PER CASE). |
| - | F71H32 | | 0 | TILT STOP KIT LIMITS TILTING ANGLE. |
| - | F72H66 | | 0 | EXHAUST SNOOT |
| - | F75H09 | | 0 | BATTERY CABLE LONGER LENGTH - 15 FEET. |
| - | F74H01 | | 0 | VOLTMETER - FLUSH MOUNT INDICATES BATTERY CONDITION. |

CONTINUED ON NEXT PAGE ➡

ACCESSORIES

| REF. NO. | PART NO. | SYM. | QTY. | DESCRIPTION |
|----------|----------|------|------|---|
| - | 74H02 | | 0 | VOLTMETER - SURFACE MOUNT INDICATES BATTERY CONDITION. |
| - | 72H07 | | 0 | CANVAS HOOD PROTECTION FOR ENGINE COVER. |
| - | 72H13 | | 0 | BATTERY, 74 AMP 12 VOLT HEAVY DUTY BATTERY. |
| - | 172 | | 0 | BATTERY CASE HEAVY PLASTIC CASE WITH TIE DOWN STRAPS. PROTECTS BATTERY FROM DAMAGE. |
| - | F70H05 | | 0 | EXTENSION CABLE FOR LENGTHENING BATTERY CABLE 6 1/2 FEET. |
| - | F71H20 | | 0 | CIGAR LIGHTER FOR USE AS CONVENIENCE OUTLET. |
| - | 168 | | 0 | CONTROL PANEL FOR MOUNTING LAMPS, SWITCHES, ETC. |
| - | 877 | | 0 | DECAL SET FOR RACING ENGINE IDENTIFICATION. |
| - | 75H20 | | 0 | FUEL GAUGE SURFACE MOUNT MONITORS FUEL SUPPLY. |
| - | 75H17 | | 0 | FUEL GAUGE FLUSH MOUNT MONITORS FUEL SUPPLY. |
| - | F72H09 | | 0 | HYDRAULIC TILT HYDRAULIC UNIT TO RAISE AND LOWER THE LOWER UNIT WHEN BEACHING OR TRAILERING BOAT. |
| - | 479 | | 0 | HEAT LAMP KIT GLOWS RED IF ENGINE OVERHEATS. DO NOT USE HEAT LAMP AND TEMPERATURE GAUGE IN SAME INSTALLATION. |
| - | 478 | | 0 | IGNITION LAMP KIT GLOWS ORANGE WHEN IGNITION SWITCH IS IN "ON" POSITION. |
| - | F74H19 | | 0 | IGNITION KEY SWITCH SHORT BARREL WITH KEYS. |
| - | F74H20 | | 0 | IGNITION KEY SWITCH LONG BARREL WITH KEYS. |
| - | 71H11 | | 0 | RACING LOWER UNIT (15") FOR RACING APPLICATIONS. |
| - | 72H19 | | 0 | RACING LOWER UNIT (17 1/4") FOR RACING APPLICATIONS. |
| - | 70H24 | | 0 | RACING STRIPE KIT ORANGE STRIPING FOR ENGINE COVER. |
| - | 70H25 | | 0 | RACING STRIPE KIT BLUE STRIPING FOR ENGINE COVER. |
| - | F762 | | 0 | REMOTE ELECTRIC CABLE 25 FOOT CABLE FOR LARGE BOATS. |
| - | F73H11 | | 0 | REMOTE ELECTRIC CABLE 21 FOOT CABLE FOR LARGE BOATS. |
| - | F71H10 | | 0 | SENDING UNIT FOR USE WITH FUEL GAUGE. |
| - | F74H10 | | 0 | TEMPERATURE GAUGE FLUSH MOUNT MONITORS ENGINE TEMPERATURE. DO NOT USE TEMPERATURE GAUGE AND HEAT LAMP IN SAME INSTALLATION. |
| - | 74H14 | | 0 | TEMPERATURE GAUGE SURFACE MOUNT MONITORS ENGINE TEMPERATURE. DO NOT USE TEMPERATURE GAUGE AND HEAT LAMP IN SAME INSTALLATION. |
| - | 75H18 | | 0 | TACHOMETER SURFACE MOUNT MONITORS ENGINE R.P.M. TO PROVIDE CHECK OF ENGINE PERFORMANCE. |
| - | 75H15 | | 0 | TACHOMETER FLUSH MOUNT MONITORS ENGINE R.P.M. TO PROVIDE CHECK OF ENGINE PERFORMANCE. |
| - | F74H07 | | 0 | WATER PUMP KIT HEAVY DUTY WATER PUMP KIT. |
| - | F71H27 | | 0 | POWER TRIM ADJUSTS ENGINE TRIM AND TILTS ENGINE. |
| - | 176 | | 0 | SPEEDOMETER SURFACE MOUNT MONITORS BOAT SPEED (0 - 50 M.P.H.) |
| - | F71H04 | | 0 | SPEEDOMETER FLUSH MOUNT MONITORS BOAT SPEED (0 - 50 M.P.H.) |

CONTINUED ON NEXT PAGE ➡

ACCESSORIES

| REF. NO. | PART NO. | SYM. | QTY. | DESCRIPTION |
|----------|----------|------|------|---|
| - | F74H18 | | 0 | SWITCH EXTENSION CABLE 5 FOOT LONG SWITCH WIRING HARNESS. |

SPECIFICATIONS

| REF. NO. | PART NO. | SYM. | QTY. | DESCRIPTION |
|-------------|----------|------|------|---|
| - | | | 0 | HORSEPOWER 105 B.I.A. CERTIFIED BRAKE H.P. AT 5000 R.P.M. |
| - | | | 0 | HORSEPOWER 120 B.I.A. CERTIFIED BRAKE H.P. AT 5250 R.P.M. |
| - | | | 0 | HORSEPOWER 135 B.I.A. CERTIFIED BRAKE H.P. AT 5000 R.P.M. |
| - | | | 0 | MOTOR TWO-CYCLE, FOUR CYLINDER ALTERNATE FIRING. |
| - | | | 0 | BORE AND STROKE 105 H.P. - 3 5/16" BORE X 2.8" STROKE. |
| - | | | 0 | BORE AND STROKE 120 H.P. - 3 5/16" BORE X 2.8" STROKE. |
| - | | | 0 | BORE AND STROKE 135 H.P. - 3 3/8" BORE X 2.8" STROKE. |
| - | | | 0 | DISPLACEMENT 105 H.P. - 96.55 CUBIC INCHES. |
| - | | | 0 | DISPLACEMENT 120 H.P. - 96.55 CUBIC INCHES |
| - | | | 0 | DISPLACEMENT 135 H.P. - 99.8 CUBIC INCHES |
| - | | | 0 | CONNECTING RODS NICKEL STEEL. CAGED NEEDLE BEARINGS AT CRANKSHAFT. FULL COMPLIMENT NEEDLE BEARINGS AT PISTON PIN. |
| - | | | 0 | CRANKSHAFT NICKEL STEEL. BALL BEARINGS AT UPPER MAIN. CAGED NEEDLE BEARINGS AT CENTER MAIN AND CASED NEEDLE BEARINGS AT LOWER MAIN. |
| - | | | 0 | CORROSION PROTECTION ALODINE TREATED CASTINGS, STAINLESS STEEL DRIVE SHAFT, PROPELLER SHAFT, GEAR SHIFT ROD AND UNDERWATER FASTENERS. |
| - | | | 0 | FUEL SYSTEM VACUUM TYPE FUEL PUMP. FLOAT FEED CARBURETOR WITH FIXED HIGH SPEED JET AND ADJUSTABLE LOW SPEED JET. |
| - | | | 0 | FUEL FILTERS FILTER SCREENS IN FUEL TANK AND FUEL PUMP. |
| - | | | 0 | STARTER ELECTRIC. |
| - | | | 0 | COOLING WATER COOLED, THERMOSTATICALLY CONTROLLED. POSITIVE DISPLACEMENT TYPE WATER PUMP. |
| - | | | 0 | TRANSOM HEIGHT 15" OR 20", DEPENDING ON MODEL. |
| - | | | 0 | WEIGHT 248 LBS. - 250 LBS. FOR SHORT SHAFT MODELS. |
| - | | | 0 | TILT LOCK POSITIVE TILT LOCK PERMITS ENGINE TO REMAIN IN TILTED POSITION WHEN NOT IN USE. |
| - | | | 0 | RECOMMENDED OPERATING RANGE 105 H.P. - 4500-5500 R.P.M. |
| - | | | 0 | RECOMMENDED OPERATING RANGE 120 H.P. - 5000-5500 R.P.M. |
| - | | | 0 | RECOMMENDED OPERATING RANGE 135 H.P. - 4500-5500 R.P.M. |
| - | | | 0 | FUEL TANK SEPARATE STEEL, 6 U.S. GALLON, 5 IMPERIAL GALLON CAPACITY. |

LUBRICATION CHART

| REF. NO. | PART NO. | SYM. | QTY. | DESCRIPTION |
|----------|----------|------|------|--|
| - | | | 0 | UPPER AND LOWER GEAR HOUSINGS SEE BLOCK COMMENT 1. |
| - | | | 0 | CONTROL LINKAGE LUBRICATE ALL MOVING PARTS AND CONTROL LINKAGE WITH RYKON #2 EP, PART #T-2961 TWICE EACH SEASON OR OFTENER IF REQUIRED. |
| - | | | 0 | STERN BRACKET LUBRICATE STERN BRACKET AND ASSOCIATED PARTS WITH RYKON #2 EP, PART #T-2961 TWICE EACH SEASON OR OFTENER IF REQUIRED. |
| - | | | 0 | GREASE FITTINGS GREASE FITTINGS ARE PROVIDED AT CRITICAL POINTS WHERE BEARING SURFACES ARE NOT EXPOSES EXTERNALLY. USING AN AUTOMOTIVE - TYPE GREASE GUN AND LUBRICANT, GREASE TWICE EACH SEASON OR OFTENER IF REQUIRED. |
| - | | | 0 | STARTER PINION GEAR LUBRICATE WITH RYKON #2 EP, PART NO. T2961, TWICE EACH SEASON OR OFTENER IF REQUIRED. |

SPECIAL ADJUSTMENTS

| REF. NO. | PART NO. | SYM. | QTY. | DESCRIPTION |
|----------|----------|------|------|---|
| - | | | 0 | SPARK PLUG CHAMPION (L20V) |
| - | | | 0 | SPARK PLUG CHAMPION (QL-76V) FOR MODELS 1059BG, 1209BG AND 1359BG |
| - | | | 0 | FLYWHEEL NUT TORQUE TO 90 FOOT POUNDS. |
| - | | | 0 | CYLINDER HEAD BOLT |

PARTS INDEX

| Part Number | Description | Pg. | Ref. No. | Part Number | Description | Pg. | Ref. No. |
|-------------|---|-----|----------|-------------|---|-----|----------|
| ÄF58356// | REMOTE CONTROL CABLE (SPECIFY LENGTH) | 47 | 4 | A85135-3 | LEG COVER FRONT | 39 | 74 |
| 15037 | HEAD ASSEMBLY, COMMUTATOR END | 11 | 21 | AC16395-7 | IDENTIFICATION PLATE W/SCREWS FOR CANADA MODELS | 3 | - |
| 168 | CONTROL PANEL | 55 | - | C476010-1 | SHORT BLOCK, | 33 | - |
| 17102 | DECAL, PORT | 47 | - | C512010 | SHORT BLOCK, | 33 | - |
| 17108 | WOOD SCREW | 47 | 35 | C523227 | SPARK PLG (CHAMPION QL- 76V)FOR MODELS | | |
| 172 | BATTERY CASE | 55 | - | | 1059BG, 1209BG, 1359BG | 31 | - |
| 176 | SPEEDOMETER SURFACE MOUNT | 55 | - | F10000 | GASKET SET (NOT SHOWN) | 19 | - |
| 3SA475015 | PISTON .030 OVERSIZE (NOT SHOWN) | 35 | - | F10005 | REPAIR PARTS KIT (NOT SHOWN). | 19 | - |
| 478 | IGNITION LAMP KIT | 55 | - | F10023 | GASKET SET (NOT SHOWN) | 23 | - |
| 479 | HEAT LAMP KIT | 55 | - | F10051 | REPAIR PARTS KIT (NOT SHOWN) | 23 | - |
| 480373 | DECAL, MAGNAPOWER IGNITION (NOT SHOWN) . | 9 | - | F1009 | HEX HD SCREW, 3/8 - 16 X 2 3/4 | 29 | 5 |
| 481373-1 | DECAL, "ELECTRONIC" (NOT SHOWN) | 15 | - | F1014 | COTTER PIN | 17 | 17 |
| 523995 | COVER CYLINDER HEAD . . | 33 | 108 | F1014 | COTTER PIN | 21 | 30 |
| 70H24 | RACING STRIPE KIT | 55 | - | F1014 | COTTER PIN | 39 | 59 |
| 70H25 | RACING STRIPE KIT | 55 | - | F1015 | COTTER PIN | 43 | 46 |
| 71H11 | RACING LOWER UNIT | 55 | - | F1052 | FILL HD SCREW, 1/4 - 20 X 1 | 29 | 22 |
| 72H07 | CANVAS HOOD | 55 | - | F1059 | FILL HD SCREW, 6 - 32 X 1/4 | 17 | 21 |
| 72H13 | BATTERY, 74 AMP | 55 | - | F1059 | FILL HD SCREW, 6 - 32 X 1/4 | 21 | 43 |
| 72H19 | RACING LOWER UNIT | 55 | - | F1064 | FILL HD SCREW, 8 - 32 X 3/8 | 17 | 3 |
| 72H31 | FROST WHITE LACQUER . . | 54 | - | F1064 | FILL HD SCREW, 8 - 32 X 3/8 | 21 | 3 |
| 72H32 | GOLD LACQUER | 54 | - | F1099 | FILL HD SCREW, 1/4 - 20 X 1 1/4 | 29 | 13 |
| 73H08 | PORT SIDE DECAL KIT | 54 | - | F1099 | FILL HD SCREW, 1/4 - 20 X 1 1/4 | 31 | 55 |
| 74H02 | VOLTMETER - SURFACE MOUNT | 55 | - | F1107 | SLOTTED FILL HD CAP SCREW, 1/4 - 20 X 3/4 . . . | 31 | 76 |
| 74H14 | TEMPERATURE GAUGE SURFACE MOUNT | 55 | - | F1108 | FILL HD SCREW, 1/4 - 20 X 3/4 | 25 | 13 |
| 75H15 | TACHOMETER FLUSH MOUNT | 55 | - | F1134 | PAN HD SCREW, 1/4 - 20 X 1 3/8 | 21 | 6 |
| 75H17 | FUEL GAUGE FLUSH MOUNT | 55 | - | F1187 | HEX HD SCREW, 1/4 - 20 X 1 | 29 | 43 |
| 75H18 | TACHOMETER SURFACE MOUNT | 55 | - | F1203 | HEX CAP SCREW, 1/4 - 20 X 7/8 | 33 | 107 |
| 75H19 | POWER TRIM INDICATOR . | 54 | - | F1236 | SCREW, 1/4 - 20 X 1/2 | 25 | 22 |
| 75H20 | FUEL GAUGE SURFACE MOUNT | 55 | - | F1238 | HEX CAP SCREW, 1/4 - 20 X 3/4 | 3 | 14 |
| 817747--1 | BALL JOINT W/STUD | 25 | 23 | F1238 | HEX CAP SCREW, 1/4 - 20 X 3/4 | 31 | 54 |
| 817747--1 | BALL JOINT W/STUD | 29 | 25 | F1253 | HEX SOCKET HD CAP SCREW, 3/8 - 16 X 2 | 29 | 9 |
| 817783A5 | SWIVEL BRACKET W/BEARINGS AND GREASE FITTINGS | 39 | 63 | F1263 | HEX SOCKET HD CAP SCREW 5/16 - 18 X 9/16 . | 37 | 13 |
| 817786A1 | DISTRIBUTOR PULLEY | 13 | 3 | F1280 | PAN HD SCREW, 8 - 32 X 1/4 | 7 | 33 |
| 817788A3 | SPACER PLATE W/PLUGS . | 31 | 73 | F1280 | PAN HD SCREW, 8 - 32 X 1/4 (TERMINAL BOARD) (NOT SHOWN) | 49 | - |
| 817932A6 | TOWERSHAFT W/SWIVEL, BEARINGS AND SCREWS | 29 | 19 | F1286 | PAN HD SCREW, 4 - 40 X 3/16 | 29 | 39 |
| 865 | TWIN SYNCHRO-DRIVE CONTROL BOX | 54 | - | F1293 | ROUND HD SCREWS, 2 X 3/16 | 3 | 19 |
| 877 | DECAL SET | 55 | - | F1298 | ROUND HD SCREW W/LOCKWASHER, 6 - 32 X 1/4 | 25 | 38 |
| 89396A38 | PRIME BULB | 45 | 9 | F1341 | HEX NUT, 1/4 - 20 | 29 | 21 |
| A476010 | CYLINDER W/CRANKCASE COVER, PARTING LINE SEAL | 33 | 1 | | | | |
| A511518-1 | CYLINDER HEAD | 33 | 80 | | | | |

PARTS INDEX

| Part Number | Description | Pg. | Ref. No. | Part Number | Description | Pg. | Ref. No. |
|-------------|------------------------------------|-----|----------|-------------|---|-----|----------|
| F1346 | HEX NUT | 37 | 27 | F1513 | HEX NUT | 47 | 3 |
| F1346 | HEX NUT, 3/8 - 16 | 27 | 29 | F1513 | HEX NUT, 10 - 32 | 25 | 27 |
| F14005-2 | CAP BASE | 13 | 37 | F1513 | HEX NUT, 10 - 32 | 29 | 27 |
| F14007 | CAP SCREW | 13 | 33 | F1514 | HEX NUT, 1/4 - 20 | 11 | 6 |
| F14010-1 | CAP COVER | 13 | 34 | F1515 | HEX NUT, 5/16 - 18 | 27 | 29 |
| F14012-1 | BRUSH | 13 | 39 | F1528 | WELCH PLUG | 37 | 40 |
| F14015 | CAP CLIP RIVET | 13 | 21 | F154317 | CABLE CLAMP | 47 | 23 |
| F14017 | TERMINAL INSULATOR (OUTSIDE) | 15 | 46 | F1556 | FILL HD SCREW W/LOCKWASHER, 10 - 24 X 3/8 | 29 | 23 |
| F14021-1 | CAP SEAL | 13 | 36 | F1557 | FLAT HD SCREW, 10 - 24 X 3/8 | 47 | 25 |
| F14024 | SPACER | 13 | 42 | F1577 | FILL HD SCREW, 1/4 - 20 X 3/4 | 41 | 19 |
| F14025 | SPACER | 13 | 4 | F1593 | HEX HD SCREW 3/8 - 16 X 3 | 37 | 25 |
| F14028 | THRUST WASHER | 13 | 5 | F1612 | HEX CAP SCREW, 3/8 - 16 X 1 1/4 | 13 | 8 |
| F14029 | THRUST WASHER | 13 | 7 | F1615 | HEX NUT | 7 | 24 |
| F14030 | CAP GASKET | 13 | 38 | F1645 | RD HD SCREW, 6 - 32 X 1/4 | 27 | 50 |
| F14036 | SWIVEL | 13 | 13 | F1647 | HEX NUT, 8 - 32 | 7 | 6 |
| F14037 | CAP CLIPS | 13 | 14 | F1647 | HEX NUT, 8 - 32 | 13 | 24 |
| F14038 | CAP CLIP SCREWS | 13 | 15 | F1647 | HEX NUT, 8 - 32 | 33 | 96 |
| F14040 | VENT | 13 | 35 | F1648 | PAN HD SCREW, 10 - 24 X 3/4 | 7 | 16 |
| F14041 | EXTERNAL TOOTH LOCKWASHER | 13 | 23 | F165 | REMOTE STEERING BRACKET | 54 | - |
| F14042 | DISTRIBUTOR HOUSING W/BEARINGS | 13 | 12 | F166 | DUAL ENGINE TIE BAR | 54 | - |
| F14044 | DISTRIBUTOR SHAFT | 13 | 40 | F1664 | SPRING PIN | 37 | 7 |
| F14045 | SCREW | 13 | 16 | F1666 | SPRING BOWED WASHER | 37 | 21 |
| F14046 | TERMINAL SCREW | 13 | 19 | F1669 | LOCK NUT | 37 | 43 |
| F14047 | TERMINAL INSULATOR (INSIDE) | 13 | 20 | F1678 | FILL HD SCREW, 10 - 24 X 13/16 | 7 | 2 |
| F14048-1 | PREAMPLIFIER | 13 | 17 | F1689 | HEX HD CAP SCREW, 1/4 - 20 X 1/2 | 7 | 42 |
| F14049 | TERMINAL INSULATOR (OUTSIDE) | 13 | 22 | F1692 | WOODRUFF KEY | 13 | 41 |
| F1425 | HEX CAP SCREW, 1/4 - 20 X 1 5/8 | 43 | 62 | F1693 | TIE BAR RETAINER | 17 | 4 |
| F1473 | HEX NUT | 3 | 36 | F1693 | TIE BAR RETAINER | 21 | 4 |
| F1475 | FILL HD SCREW, 10 - 24 X 1/2 | 33 | 103 | F1696 | HEX BOLT 5/16 - 18 X 1 3/4 | 39 | 65 |
| F1491 | HEX HD SCREW, 5/16 - 18 X 3 1/4 | 41 | 41 | F1699 | HEX HD SCREW, 1/4 - 20 X 1 1/8 | 29 | 8 |
| F1502 | HEX CAP SCREW, 1/4 - 20 X 5/8 | 3 | 20 | F17006 | DETENT SPRING | 47 | 18 |
| F1502 | HEX CAP SCREW, 1/4 - 20 X 5/8 | 11 | 18 | F17008 | DETENT SPRING | 49 | 37 |
| F1502 | HEX CAP SCREW, 1/4 - 20 X 5/8 | 25 | 5 | F17009 | BEARING | 47 | 14 |
| F1502 | HEX CAP SCREW, 1/4 - 20 X 5/8 | 31 | 48 | F17010-1 | THROTTLE GEAR | 47 | 16 |
| F15021-1 | HEAD ASSEMBLY, DRIVE END | 11 | 8 | F17011 | BOWED WASHER | 47 | 15 |
| F15034 | SPRING SET | 11 | 22 | F17012 | RETAINING PLATE | 47 | 13 |
| F15035 | THRU BOLT PACKAGE | 11 | 16 | F17013 | FILL HD SCREW, 1/4 - 20 X 1/2 | 47 | 11 |
| F15054 | BRUSH AND TERMINAL SET | 11 | 12 | F17014 | THROTTLE ARM | 47 | 10 |
| F15057 | BRUSH PLATE AND HOLDER ASSEMBLY | 11 | 23 | F17015 | COTTER PIN | 47 | 8 |
| F15073 | THRUST WASHER PACKAGE | 11 | 9 | F17016 | CABLE TERMINAL | 47 | 9 |
| F15099 | ARMATURE | 11 | 10 | F17019 | CLUTCH ARM | 47 | 5 |
| F15118 | BENDIX DRIVE ASSEMBLY | 11 | 5 | F17020 | INTERNAL TOOTH LOCKWASHER | 47 | 12 |
| F15124 | FRAME AND FIELD ASSEMBLY | 11 | 11 | F17021 | CLUTCH GEAR | 47 | 19 |
| F1513 | HEX NUT | 7 | 18 | F17026 | SWIVEL | 47 | 24 |
| | | | | F1703 | LOCKWASHER | 31 | 71 |
| | | | | F1703 | SPRING LOCKWASHER | 39 | 73 |
| | | | | F17030-1 | SET SCREW | 47 | 31 |
| | | | | F17031 | SNAP CAP | 47 | 28 |

PARTS INDEX

| Part Number | Description | Pg. | Ref. No. | Part Number | Description | Pg. | Ref. No. |
|-------------|--|-----|----------|-------------|---|-----|----------|
| F17036 | INTERNAL TOOTH LOCKWASHER | 47 | 6 | F178754-1 | FUEL LINE | 17 | 24 |
| F1704 | INTERNAL TOOTH LOCKWASHER | 25 | 49 | F178754-1 | FUEL LINE | 21 | 36 |
| F1705 | HEX CAP SCREW, 1/4 - 20 X 3/4 | 7 | 23 | F1788 | STOP NUT | 41 | 15 |
| F1705 | HEX CAP SCREW, 1/4 - 20 X 3/4 | 41 | 1 | F178889 | SHAFT, SHOCK MOUNT UPPER | 37 | 37 |
| F17068 | HOUSING | 49 | 36 | F17932 | SEAL, FUEL LINE COUPLER | 45 | 12 |
| F17082-1 | DETENT BALL | 49 | 38 | F18160-1 | CYLINDER DRAIN REED | 29 | 36 |
| F1709 | HEX BOLT, 1/4 - 20 X 1 1/8 | 33 | 87 | F1822 | HEX BOLT 5/16 - 18 X 7/8 | 39 | 76 |
| F17092 | SNAP RING | 47 | 21 | F1831 | FLAT HD SCREW, 1/4 - 20 X 5/8 | 25 | 43 |
| F1710 | PLAIN WASHER | 37 | 18 | F1832 | STOP NUT, 1/4 - 20 | 31 | 68 |
| F17100 | CLUTCH SHAFT | 47 | 20 | F1836 | SPRING PIN | 39 | 60 |
| F17101 | DECAL, STARBOARD | 47 | 27 | F184033-1 | SWIVEL, TOP CARBURETOR | 17 | 20 |
| F17105 | FELT WASHER | 47 | 33 | F184033-1 | SWIVEL, TOP CARBURETOR | 21 | 33 |
| F17106 | COLLAR | 47 | 34 | F184122-1 | SEAL, PARTING LINE | 33 | 101 |
| F17107 | FILL HD SCREW, 10 - 24 X 5/16 | 47 | 22 | F184579 | "O" RING SEAL | 17 | 19 |
| F1711 | SPRING BOWED WASHER | 37 | 17 | F184579 | "O" RING SEAL | 21 | 32 |
| F17111 | DETENT BALL | 47 | 17 | F1849 | HEX HD CAP SCREW, 1/4 - 20 X 1 3/8 | 5 | 47 |
| F17112 | JUNCTION BOARD, STARBOARD | 47 | 26 | F1851 | FILL HD SCREW W/LOCKWASHER, 10 - 24 X 1/2 | 7 | 39 |
| F17113 | JUNCTION BOARD, PORT | 47 | - | F1854 | HEX CAP SCREW, 1/4 - 20 X 5/8 | 3 | 25 |
| F17115 | HANDLE | 47 | 30 | F1857 | HEX CAP SCREW, 5/16 - 18 X 5/8 | 3 | 23 |
| F17116 | KNOB | 47 | 29 | F1857 | HEX CAP SCREW, 5/16 - 18 X 5/8 | 3 | 35 |
| F1713 | SPRING PIN | 41 | 25 | F1858 | HEX CAP SCREW, 5/16 - 18 X 1 | 3 | 24 |
| F1715 | HEX BOLT, 1/4 - 28 X 9/16 | 47 | 7 | F1858 | HEX CAP SCREW, 5/16 - 18 X 1 | 41 | 39 |
| F1727 | PLASTIC RIVET | 29 | 20 | F1860 | RD HD SCREW, 6 - 32 X 1/4 | 25 | 9 |
| F1729 | PLUG | 37 | 5 | F1864 | HEX SLOT HD SCREW 1/4 - 20 X 3/4 | 37 | 4 |
| F1730 | PAN HD SCREW W/SPRING LOCKWASHER, 1/4 - 20 X 5/8 | 5 | 44 | F1866 | PLAIN WASHER | 43 | 71 |
| F1733 | PAN HD MACHINE SCREW, 10 - 24 X 9/16 | 3 | 2 | F1867 | HEX CAP SCREW, 3/8 - 16 X 1 | 35 | 19 |
| F1734 | FILL HD SCREW W/LOCKWASHER, 1/4 - 20 X 1/2 | 7 | 14 | F1868 | HEX BOLT, 3/8 - 16 X 3 1/4 | 11 | 17 |
| F1741 | PAN HD SCREW, 8 X 3/4 | 7 | 35 | F1868 | HEX CAP SCREW, 3/8 - 16 X 3 1/4 | 31 | 49 |
| F1744 | SPRING PIN | 39 | 48 | F1869 | HEX CAP SCREW, 3/8 - 16 X 1 1/4 | 31 | 70 |
| F1744 | SPRING PIN | 39 | 52 | F1871 | HEX HD SCREW 3/8 - 16 X 3/4 | 39 | 69 |
| F1753 | FASTENER | 3 | 38 | F1872 | HEX CAP SCREW, 3/8 - 16 X 1 3/4 | 29 | 12 |
| F1759 | SHIM, DISTRIBUTOR (QTY. AS REQUIRED) | 13 | 11 | F1873 | HEX CAP SCREW, 3/8 - 16 X 3 | 31 | 50 |
| F1760 | PAN HD SCREW, 10 - 24 X 3/8 | 7 | 19 | F1874 | HEX HD SCREW, 3/8 - 16 X 3 1/8 | 29 | 2 |
| F1760 | PAN HD SCREW, 10 - 24 X 3/8 | 13 | 25 | F1877 | TY-RAP | 7 | 29 |
| F1760 | PAN HD SCREW, 10 - 24 X 3/8 | 29 | 3 | F1885 | HEX BOLTS, S.S., 5/16 - 18 X 4 1/4 | 31 | 64 |
| F177330 | FUEL PUMP VALVE | 25 | 10 | F1885 | HEX CAP SCREW, 5/16 - 18 X 4 1/4 | 41 | 6 |
| F177350 | REVERSE LOCK PIN | 39 | 47 | F1892 | STOP NUT | 9 | 52 |
| F178168-1 | GASKET, CARBURETOR ADAPTER | 25 | 35 | F1904 | PLAIN WASHER | 37 | 26 |
| F178173 | RETAINING RING | 37 | 34 | F1907 | PLAIN WASHER | 41 | 7 |
| F178208 | RETAINING RING | 37 | 19 | F1910 | STOP NUT, 1/4 - 20 | 25 | 25 |
| F178323 | SEAL, MOTOR LEG | 37 | 12 | | | | |
| F178362 | BEARING | 37 | 36 | | | | |
| F178404-1 | DEFLECTOR PLATE | 25 | 36 | | | | |

PARTS INDEX

| Part Number | Description | Pg. | Ref. No. | Part Number | Description | Pg. | Ref. No. |
|-------------|---|-----|----------|-------------|---|-----|----------|
| F19109 | PLUG | 31 | 60 | F2088 | FASTENER | 5 | 45 |
| F19109 | PLUG | 41 | 30 | F2089 | SLOTTED PAN HD M. SCREW, 10 - 24 X 5/16 | 33 | 105 |
| F1912 | HEX HD SCREW 10 - 24 X 1/2 | 39 | 67 | F2090 | PLUG | 31 | 74 |
| F1914 | HEX HD SCREW, 1/4 - 20 X 3/4 | 29 | 11 | F2108 | LOCK NUT | 39 | 79 |
| F1915 | HEX HD SCREW, 1/4 - 20 X 7/8 | 25 | 44 | F2108 | STOP NUT, 5/16 - 18 | 31 | 67 |
| F1915 | HEX HD SCREW, 1/4 - 20 X 7/8 | 29 | 6 | F213274 | GREASE FITTING | 13 | 27 |
| F1934 | FLAT HD SLOTTED SCREW, 6 X 12 | 9 | 50 | F213274 | GREASE FITTING | 37 | 38 |
| F1935 | PLAIN WASHER | 29 | 42 | F213342 | SEAL, FUEL LINE COUPLER (LARGE) | 45 | 4 |
| F195/ | REMOTE CONTROL CABLES | 54 | - | F213735 | SEAL, FUEL LINE COUPLER (SMALL) | 45 | 5 |
| F1950 | HEX CAP SCREW, 10 - 24 X 5/8 | 33 | 91 | F24278 | SEAL, "O" RING PROPELLER SHAFT SPOOL | 41 | 10 |
| F1953 | HEX HD SCREW, 1/4 - 20 X 1 | 25 | 20 | F269319 | THROTTLE CAM BEARING | 25 | 26 |
| F1953 | HEX HD SCREW, 1/4 - 20 X 1 | 29 | 16 | F286461 | SPRING, LOCK BAR HANDLE | 39 | 50 |
| F1968 | FLYWHEEL NUT | 35 | 21 | F289446-1 | CLAMP | 7 | 12 |
| F1975 | SPRING LOCKWASHER | 7 | 10 | F298788 | FERRULE | 45 | 7 |
| F1975 | SPRING LOCKWASHER | 13 | 26 | F2A476757 | CYLINDER DRAIN REED PLATE W/REEDS, STOPS AND SCREWS | 29 | 35 |
| F197787-2 | FUEL LINE COUPLER | 45 | 6 | F2A523023 | BEVEL GEAR FRONT W/BEARING | 41 | 28 |
| F197813 | BEARING | 39 | 57 | F2A523158 | REED PLATE W/REEDS, REED STOPS AND SCREWS | 25 | 41 |
| F1987 | PLAIN WASHER | 31 | 79 | F2A523239 | SPOOL, PROPELLER SHAFT BEARING W/SEALS | 41 | 11 |
| F1987 | PLAIN WASHER | 39 | 64 | F2A523662 | BEVEL GEAR REAR W/BEARING CAGE SPACER AND BEARING | 41 | 21 |
| F1990 | HEX CAP SCREW, 1/4 - 20 X 1 5/8 | 43 | 60 | F307317 | CLIP, TERMINAL BLOCK | 7 | 17 |
| F1994 | HEX SOCKET HD CAP SCREW, 5/16 - 18 X 1 | 41 | 36 | F310189 | BUSHING, ELECTRIC CABLE | 3 | 16 |
| F1997 | STOP NUT, 8 - 32 | 17 | 10 | F311189-1 | BUSHING, CABLE ENTRY | 3 | 17 |
| F1997 | STOP NUT, 8 - 32 | 21 | 23 | F316160 | REED (4 PETAL) | 25 | 40 |
| F1999 | HEX CAP SCREW, 1/4 - 20 X 7/8 | 43 | 55 | F316164 | REED (1 PETAL) | 25 | 42 |
| F2000 | HEX CAP SCREW, 5/16 - 18 X 3/4 | 9 | 47 | F316579 | SEAL, CRANKCASE | 35 | 11 |
| F2000 | HEX CAP SCREW, 5/16 - 18 X 3/4 | 33 | 99 | F321756 | PACKING, COVER | 3 | 31 |
| F2001 | FILL HD SCREW, 10 - 24 X 5/8 | 7 | 9 | F321841-2 | LEAD WIRE W/GROMMET | 13 | 32 |
| F2008 | HEX HD SCREW, 1/4 - 20 X 7/8 | 31 | 53 | F321872 | BRACKET | 31 | 59 |
| F2014 | PLAIN WASHER | 13 | 9 | F322273 | STUD, C. D. UNIT | 9 | 48 |
| F2014 | PLAIN WASHER | 39 | 70 | F333316 | THROTTLE ROLLER SHAFT | 17 | 5 |
| F2015 | HEX NUT, 1/4 - 28 | 33 | 102 | F333316 | THROTTLE ROLLER SHAFT | 21 | 19 |
| F2016 | FILL HD SCREW, 6 - 32 X 7/8 | 25 | 48 | F333392 | PLATE SIDE | 3 | 8 |
| F2030 | HEX HD M. SCREW 1/4 - 20 X 1-1/4 | 37 | 16 | F335068 | THERMOSTAT | 31 | 82 |
| F203276 | BOOT | 13 | 30 | F335215 | SPACER, PISTON PIN (2 PER PISTON) | 35 | 3 |
| F2033 | GROOVE PIN | 17 | 26 | F335217-1 | BEARING, PISTON PIN (26 PER SET) | 35 | 5 |
| F2033 | GROOVE PIN | 21 | 39 | F335654-1 | DEFLECTION STOP | 3 | 21 |
| F203673 | TERMINAL CLIP | 13 | 31 | F338618-1 | SEAL GEAR SHIFT ROD | 37 | 15 |
| F2042 | PLAIN WASHER | 33 | 106 | F338618-1 | SEAL, GEAR SHIFT ROD | 43 | 53 |
| F2047 | WAVE SPRING LOCKWASHER | 3 | 30 | F345475-1 | COIL | 9 | 44 |
| F2049 | HEX CAP SCREW, 5/16 - 18 X 2 5/8 | 31 | 78 | F345683 | WIRE, REGULATOR RECTIFIER GROUND | 7 | 5 |
| F2066 | PAN HD TAPPING SCREW, 10 X 7/16 (TRIM TO COVER) | 3 | 40 | F351307 | SEAL, DRIVESHAFT - WATER PUMP | 43 | 63 |
| | | | | F353480 | STUD | 37 | 29 |
| | | | | F369349 | REVERSE LOCK | 37 | 44 |

PARTS INDEX

| Part Number | Description | Pg. | Ref. No. | Part Number | Description | Pg. | Ref. No. |
|-------------|----------------------------------|-----|----------|-------------|---------------------------------------|-----|----------|
| F369364 | REVERSE LOCK ARM | 39 | 55 | F438754 | FUEL LINE W/CLAMP, PUMP TO CARBURETOR | 17 | 29 |
| F369510 | LINK REVERSE LOCK | 39 | 46 | F438754 | FUEL LINE W/CLAMP, PUMP TO CARBURETOR | 21 | 42 |
| F369610 | BEARING | 31 | 62 | F438760 | FUEL PUMP GASKET | 25 | 4 |
| F369827 | HANDLE AND SHAFT | 39 | 56 | F438801 | FITTING | 25 | 14 |
| F369884 | BEARING | 39 | 61 | F438930 | RETAINER, SNOUT | 41 | 38 |
| F369887 | SHOULDER SCREW | 31 | 61 | F438962 | SHOCK MOUNT LOWER REAR | 37 | 14 |
| F369977-1 | INTERLOCK ARM | 31 | 63 | F438984-1 | BLANKET, SILENCER TOP (NOT SHOWN) | 5 | - |
| F372151-1 | EXHAUST PORT PLATE | 33 | 90 | F439736 | SEAL, EXHAUST TUBE | 39 | 82 |
| F372152-1 | EXHAUST PORT COVER | 33 | 88 | F439834 | CLIP, SPARK PLUG WIRE | 29 | 28 |
| F372154-1 | GASKET, EXHAUST PORT PLATE | 33 | 89 | F440192 | THROTTLE CAM | 27 | 28 |
| F372925 | CHOKE ROD | 17 | 27 | F440209 | CARBURETOR STUD | 27 | 30 |
| F372958 | CHOKE BRACKET | 25 | 19 | F440254 | BALANCE TUBE | 27 | 34 |
| F373512 | PLATE INSERT | 3 | 11 | F440906 | CARBURETOR GASKET | 27 | 31 |
| F373675-1 | STARTER BRACKET, LOWER | 11 | 20 | F440925 | CHOKE ROD | 21 | 40 |
| F373778-1 | RETAINER, ENGINE COVER | 3 | 37 | F441754-1 | HOSE | 25 | 3 |
| F381896-4 | BATTERY CABLE | 7 | 30 | F460917 | STARTER RELAY | 7 | 26 |
| F391926-1 | PLUNGER | 17 | 28 | F463366 | NAME "CHRYSLER" | 3 | 9 |
| F391926-1 | PLUNGER | 21 | 41 | F474073-1 | CLAMP SCREW | 37 | 30 |
| F391983 | RETAINING BAND | 9 | 51 | F474387 | TIMING DECAL (NOT SHOWN) | 9 | - |
| F40209 | CARBURETOR STUD | 27 | 30 | F474390-1 | DECAL, REVERSE LOCK (NOT SHOWN) | 39 | - |
| F40223 | GASKET, TRANSFER PORT COVER | 31 | 52 | F475015-4 | PISTON | 35 | 2 |
| F404097 | FLYWHEEL | 7 | 1 | F476061-3 | CARBURETOR COMPLETE (TC-5D) | 23 | - |
| F404268 | BY-PASS VALVE SPRING | 33 | 94 | F476066-1 | THERMOSTAT COVER | 31 | 85 |
| F404314 | ELBOW, FUEL PUMP COVER | 25 | 2 | F476067 | GASKET | 31 | 81 |
| F404314 | FITTING | 31 | 47 | F476529 | CYLINDER HEAD GASKET | 31 | 75 |
| F404446 | CLAMP | 7 | 27 | F480038-2 | SUPPORT PLATE | 3 | 15 |
| F404446 | CLAMP | 11 | 15 | F480107-1 | CAM STARTER INTERLOCK | 33 | 104 |
| F404470-1 | REGULATOR-RECTIFIER | 7 | 8 | F480388 | DISC, WATER PUMP LOCATING | 43 | 61 |
| F404513 | COIL CLAMP | 7 | 40 | F480818 | BEARING | 3 | 13 |
| F404801 | ELBOW, CYLINDER DRAIN UPPER | 31 | - | F481382-1 | SPACER, LATCH SHAFT | 3 | 29 |
| F404841 | CABLE, HEAT INDICATOR | 7 | 37 | F481434 | GUIDE, ENGINE COVER | 5 | 46 |
| F405457 | PIVOT SCREW | 29 | 7 | F481774 | BRACKET, COVER LATCH | 3 | 32 |
| F406406 | GASKET DEFLECTOR PLATE | 25 | 37 | F481777 | CAM, LATCH | 3 | 28 |
| F406471-1 | CYLINDER DRAIN COVER | 29 | 41 | F485755 | FUEL TANK ADAPTER | 45 | 3 |
| F406754-1 | HOSE | 31 | 46 | F489386 | PLATE REAR | 3 | 5 |
| F407446 | CLAMP | 7 | 31 | F489551 | BRACKET NEUTRAL INTERLOCK SWITCH | 25 | 45 |
| F409251-1 | GAUGE CAP | 45 | 1 | F489711 | PLATE, ENGINE COVER FRONT | 3 | 42 |
| F433114 | HANDLE, LOCK BAR | 39 | 51 | F489985 | BLANKET, SILENCER SIDE (NOT SHOWN) | 5 | - |
| F433209-1 | THROTTLE CAM STUD | 25 | 32 | F500061-1 | CARBURETOR COMPLETE (WB44B) | 19 | 47 |
| F438066 | BY-PASS VALVE COVER | 33 | 92 | F501061-1 | CARBURETOR COMPLETE (WB25B) | 19 | 47 |
| F438129 | SEAL, DRIVESHAFT SPLINE | 43 | 70 | F50109 | PLUG, GEAR HOUSING | 43 | 43 |
| F438165 | SCREW, FUEL PUMP BOWL | 25 | 18 | F50342-1 | SEAL, "O" RING | 41 | 8 |
| F438169 | BEARING | 37 | 42 | F506118 | SEAL, PROPELLER SHAFT | 41 | 9 |
| F438271 | RETAINER, CRANKSHAFT SPLINE SEAL | 43 | 69 | F510374 | DECAL, CIRCUIT BREAKER | 7 | 41 |
| F438346 | SHOCK MOUNT LOWER | 39 | 75 | F510460 | CIRCUIT BREAKER | 7 | 22 |
| F438398 | DECAL, WIRING | 31 | 86 | F511125-1 | TUBE, STEERING SUPPORT | 39 | 84 |
| F438500 | FUEL SEDIMENT BOWL | 25 | 17 | F511708 | COVER, CARBURETOR | 21 | 7 |
| F438617 | FUEL SEDIMENT BOWL GASKET | 25 | 15 | | | | |
| F438653 | FUEL SEDIMENT BOWL SCREEN | 25 | 16 | | | | |
| F438668 | RETAINER, CABLE CLAMP | 7 | 13 | | | | |
| F438744-1 | WIRING HARNESS | 7 | 4 | | | | |

PARTS INDEX

| Part Number | Description | Pg. | Ref. No. | Part Number | Description | Pg. | Ref. No. |
|-------------|-------------------------|-----|----------|-------------|------------------------|-----|----------|
| F523031 | GASKET, WATER PUMP | 43 | 56 | F72H36 | REMOTE CONTROL UNIT, | | |
| F523057 | BEARING, DRIVESHAFT | | | | SINGLE LEVER | | |
| | LOWER | 43 | 65 | | STARBOARD MOUNT | 49 | 39 |
| F523065 | IMPELLER, WATER PUMP | 43 | 58 | F72H36 | SYNCHRO-DRIVE CONTROL | | |
| F523094 | PROPELLER NUT | 41 | 13 | | BOX (SINGLE LEVER) | 54 | - |
| F523099 | SPACER, PROPELLER | 41 | 18 | F72H66 | EXHAUST SNOUT | 54 | - |
| F523116 | EXHAUST SNOUT | 41 | 37 | F73H11 | REMOTE ELECTRIC CABLE | 55 | - |
| F523133-1 | MOTOR LEG | 39 | 81 | F74305 | SEAL, DRIVESHAFT | | |
| F523146 | SEAL, CRANKSHAFT | | | | BEARING CAGE | 43 | 50 |
| | LOWER | 35 | 13 | F74H01 | VOLTMETER - FLUSH | | |
| F523188 | NUT, BEVEL PINION | 41 | 34 | | MOUNT | 54 | - |
| F523244 | INLET WATER LINE | 41 | 5 | F74H07 | WATER PUMP KIT | 55 | - |
| F523280 | NUT, STEERING SUPPORT | | | F74H10 | TEMPERATURE GAUGE | | |
| | TUBE | 39 | 80 | | FLUSH MOUNT | 55 | - |
| F523282 | WASHER | 41 | 16 | F74H18 | SWITCH EXTENSION CABLE | 56 | - |
| F523411 | RETAINING RING, BEARING | | | F74H19 | IGNITION KEY SWITCH | 55 | - |
| | CAGE | 41 | 22 | F74H20 | IGNITION KEY SWITCH | 55 | - |
| F523451 | SPACER, REED STOP | 27 | 51 | F74H20 | IGNITION SWITCH (LONG | | |
| F523498 | DRIVE KEY, WATER PUMP | 43 | 67 | | BARREL) W/KEYS AND | | |
| F523555 | SEAL, "O" RING, GEAR | | | | SCREWS | 7 | 34 |
| | HOUSING COVER | 43 | 48 | F75H07 | SYNCHRO-DRIVE CONTROL | | |
| F523562 | PLATE, WATER PUMP | 43 | 57 | | BOX | 54 | - |
| F523705 | GEAR SHIFT ROD LOWER | 43 | 45 | F75H08 | TWIN SYNCHRO-DRIVE | | |
| F523813 | BEARING CUP | 41 | 29 | | CONTROL BOX | 54 | - |
| F523899 | GROMMET, WATER LINE | 41 | 4 | F75H09 | BATTERY CABLE | 54 | - |
| F523961 | CRUSH RING | 43 | 49 | F75H16 | POWER TRIM INDICATOR | 54 | - |
| F523962 | SHOCK MOUNT - C.D. UNIT | 9 | 46 | F762 | REMOTE ELECTRIC CABLE | 55 | - |
| F58685-2 | CONNECTOR, SHIFT CABLE | 47 | 2 | F8001 | WASHER | 41 | 31 |
| F590 | SYNCHRO-DRIVE CONTROL | | | F8003 | PLAIN WASHER | 29 | 38 |
| | HEAD (SINGLE LEVER) | 54 | - | F8011 | PLAIN WASHER | 7 | 20 |
| F7004 | STOP NUT, 3/8 - 16 | 29 | 17 | F8028 | PLAIN WASHER | 11 | 7 |
| F7008 | ELASTIC STOP NUT | 29 | 10 | F8056 | LOCKWASHER | 13 | 18 |
| F7012 | STOP NUT | 37 | 24 | F8056 | LOCKWASHER | 13 | 43 |
| F7013 | STOP NUT | 13 | 2 | F8056 | LOCKWASHER | 33 | 97 |
| F70H01 | ANTI-CORROSION KIT | 54 | - | F8056 | SPRING LOCKWASHER | 7 | 7 |
| F70H05 | EXTENSION CABLE | 55 | - | F8058 | INTERNAL TOOTH | | |
| F71H02 | ANTI-CORROSION | | | | LOCKWASHER | 25 | 24 |
| | SACRIFICIAL ANODE | 54 | - | F8058 | INTERNAL TOOTH | | |
| F71H04 | SPEEDOMETER FLUSH | | | | LOCKWASHER | 31 | 57 |
| | MOUNT | 55 | - | F8060 | LOCKWASHER | 11 | 19 |
| F71H08 | FUEL TANK (ACCESSORY | | | F8077 | WASHER, GEAR HOUSING | | |
| | ITEM) | 45 | 2 | | PLUG | 41 | 42 |
| F71H08 | STEEL, 6 GALLON FUEL | | | F8083 | SPRING LOCKWASHER | 3 | 26 |
| | TANK (LOW PROFILE) | 54 | - | F8083 | SPRING LOCKWASHER | 9 | 43 |
| F71H10 | SENDING UNIT | 55 | - | F8083 | SPRING LOCKWASHER | 37 | 3 |
| F71H12 | TANK ANCHOR | 54 | - | F8083 | SPRING LOCKWASHER | 43 | 54 |
| F71H20 | CIGAR LIGHTER | 55 | - | F8088 | PLAIN WASHER | 17 | 18 |
| F71H21 | IGNITION SWITCH | | | F8088 | PLAIN WASHER | 21 | 31 |
| | MOUNTING KIT | | | F8088 | PLAIN WASHER | 25 | 47 |
| | (Accessory Item) | 9 | 49 | F8094 | PLAIN WASHER | 3 | 27 |
| F71H23 | STEEL, 12 GALLON FUEL | | | F8094 | PLAIN WASHER | 39 | 58 |
| | TANK | 54 | - | F8096 | SPRING LOCKWASHER | 3 | 22 |
| F71H26 | BATTERY CABLE CLAMP KIT | | | F8096 | SPRING LOCKWASHER | 3 | 34 |
| | (Accessory Item) | 7 | 32 | F8096 | SPRING LOCKWASHER | 7 | 25 |
| F71H27 | POWER TRIM | 55 | - | F8096 | SPRING LOCKWASHER | 33 | 100 |
| F71H30 | OVERHEAT BUZZER | 54 | - | F8096 | SPRING LOCKWASHER | 39 | 77 |
| F71H30 | OVERHEAT BUZZER | | | F8096 | SPRING LOCKWASHER | 41 | 40 |
| | (Accessory Item) | 7 | 36 | F84011 | WASHER | 39 | 62 |
| F71H32 | TILT STOP KIT | 54 | - | F84074 | CLAMP SCREW FOOT | 37 | 28 |
| F72H09 | HYDRAULIC TILT | 55 | - | F84146-2 | SEAL | 35 | 20 |

PARTS INDEX

| Part Number | Description | Pg. | Ref. No. | Part Number | Description | Pg. | Ref. No. |
|-------------|---|-----|----------|-------------|--|-----|----------|
| F84278 | SEAL | 35 | 23 | F85509-1 | LINK, CHOKE | 21 | 38 |
| F84286-1 | FRICITION WASHER | 39 | 54 | F85541-1 | TILT LOCK | 37 | 22 |
| F84305 | SEAL, "O" RING PROPELLER SHAFT SPOOL | 41 | 12 | F85571 | BEARING CAGE W/ROLLER | 35 | 10 |
| F84307-1 | SEAL, DRIVESHAFT | 43 | 51 | F85606 | KINGPIN CAP | 39 | 66 |
| F84314-2 | ELBOW | 17 | 22 | F85610 | BEARING | 31 | 65 |
| F84314-2 | ELBOW | 21 | 34 | F85615 | GEAR SHIFT ROD UPPER | 39 | 78 |
| F84314-2 | ELBOW | 25 | 6 | F8563 | DOWEL PIN | 29 | 15 |
| F84314-2 | ELBOW | 31 | 45 | F85634-1 | CONNECTING ROD SCREW | 35 | 14 |
| F84342 | SEAL, INLET WATER LINE, UPPER | 41 | 3 | F85660-1 | EXHAUST TUBE | 37 | 2 |
| F84449 | INTERLOCK SWITCH | 25 | 46 | F85664 | DISTRIBUTOR GROUND | 13 | 28 |
| F84472-5 | GASKET, CYLINDER DRAIN COVER | 29 | 40 | F85664 | GROUND WIRE | 9 | 54 |
| F84504 | GROMMET (THERMOSTAT) | 31 | 83 | F85704 | COUPLER, GEAR SHIFT ROD | 39 | 83 |
| F84521-1 | CLUTCH | 41 | 26 | F85735-1 | SEAL | 3 | 39 |
| F84748-3 | GASKET | 29 | 33 | F85762 | BY-PASS VALVE COVER GASKET | 33 | 93 |
| F84792 | GASKET, CENTER FUEL PUMP VALVE | 25 | 11 | F85772 | CLAMP | 37 | 11 |
| F84991-1 | GROMMET | 15 | 45 | F85779-1 | BAFFLE, AIR INTAKE | 39 | 68 |
| F85017 | PISTON PIN | 35 | 4 | F85843-1 | REMOTE ELECTRIC CABLE, 18 FEET | 7 | 38 |
| F85026 | SWIVEL | 29 | 30 | F85859 | STUD | 29 | 14 |
| F85033 | SWIVEL, CHOKE ROD (BOTTOM CARBURETOR) (NOT SHOWN) | 19 | - | F85906 | CARBURETOR GASKET | 27 | 31 |
| F85033 | SWIVEL, CHOKE ROD (BOTTOM CARBURETOR) (NOT SHOWN) | 23 | - | F85908 | STARTER LEAD WIRE | 11 | 14 |
| F85035 | DISTRIBUTOR, CONTROL ROD END | 29 | 29 | F85916-1 | BY-PASS VALVE | 33 | 95 |
| F85036 | TOWERSHAFT CONTROL ROD END | 29 | 32 | F85924 | CHOKE SOLENOID | 7 | 28 |
| F85037-1 | STERN BRACKET PIVOT BOLT | 39 | 53 | F85965 | SHOCK MOUNT UPPER | 39 | 72 |
| F85095-2 | STATOR | 7 | 3 | F861 | FLUSHING ADAPTER | 54 | - |
| F85117 | BRACKET, WATER LINE | 41 | 2 | F862 | STEEL, 6 GALLON FUEL TANK | 54 | - |
| F85130 | BOOT IDLE EXHAUST | 37 | 8 | F89758 | FUEL PUMP AIR HOSE - TOP | 25 | 7 |
| F85161-1 | REED STOP | 25 | 39 | F9018 | CAP | 37 | 32 |
| F85173 | RETAINING RING | 13 | 6 | F9052 | PLUG | 37 | 33 |
| F85192-1 | THROTTLE CAM | 27 | 28 | F90807 | RETAINING RING | 17 | 1 |
| F85211 | STUD | 29 | 18 | F90807 | RETAINING RING | 21 | 1 |
| F85258 | INSERT | 37 | 9 | F90891 | PIN, GEAR SHIFT ARM | 41 | 32 |
| F85279-2 | GASKET, CYLINDER EXHAUST UPPER | 31 | 69 | F90891 | PIN, PROPELLER NUT RETAINING | 41 | 14 |
| F85300 | REVERSE LOCK SPRING | 39 | 45 | F91446-1 | CIRCUIT BREAKER BRACKET | 7 | 21 |
| F85311 | DISTRIBUTOR BELT | 13 | 1 | F92759 | THROTTLE ROLLER | 17 | 6 |
| F85314-1 | FUEL FITTING | 17 | 30 | F92759 | THROTTLE ROLLER | 21 | 20 |
| F85314-1 | FUEL FITTING | 21 | 37 | F93811 | SCREEN | 29 | 34 |
| F85317-1 | SOLENOID CLAMP | 25 | 21 | F93920 | REED STOP | 29 | 37 |
| F85350-1 | TILT STOP PIVOT | 37 | 20 | F97772 | CLAMP | 17 | 23 |
| F85372 | PIN, GEAR SHIFT ROD LOWER | 43 | 47 | F97772 | CLAMP | 21 | 35 |
| F8538 | SPRING PIN | 37 | 31 | F97772 | FUEL LINE CLAMP | 45 | 11 |
| F85380 | SPRING | 37 | 10 | F98273 | ROD END CONNECTOR STUD | 31 | 58 |
| F85410 | SNAP RING | 35 | 8 | FA15072 | HEX LOCK NUT, 1/4 - 20 | 11 | 13 |
| F85445 | CONTROL ROD | 29 | 31 | FA178157 | CARBURETOR ADAPTER UPPER, W/FITTING AND STUDS | 27 | - |
| F85453-1 | GASKET EXHAUST LOWER | 37 | 1 | FA178167 | CARBURETOR ADAPTER LOWER, W/FITTINGS AND STUDS | 27 | 33 |
| F85498 | FLYWHEEL KEY | 35 | 16 | FA178233 | THROTTLE TIE BAR W/SWIVEL | 19 | 53 |
| F85502 | THROTTLE LINK | 29 | 26 | FA178233 | THROTTLE TIE BAR W/SWIVEL | 21 | 5 |
| F85509-1 | LINK, CHOKE | 17 | 25 | | | | |

PARTS INDEX

| Part Number | Description | Pg. | Ref. No. | Part Number | Description | Pg. | Ref. No. |
|-------------|--------------------------|-----|----------|-------------|----------------------------|-----|----------|
| FA178962 | SHOCK ABSORBER | | | FA84621-1 | COUPLING, GEAR SHIFT | | |
| | W/BUSHING | 37 | 35 | | ARM W/BUSHING | 43 | 44 |
| FA321574 | DISTRIBUTOR BRACKET .. | 13 | 10 | FA84754-1 | FUEL LINE SHORT | | |
| FA335260 | PISTON RING SET (4 PER | | | | W/FERRULES | 45 | 8 |
| | SET) | 35 | 1 | FA84871-1 | PIN, GEAR SHIFT W/YOKE . | 41 | 24 |
| FA411222 | TRANSFER PORT COVER . | 31 | 51 | FA85019 | KINGPIN W/PLUG | 37 | 41 |
| FA438113 | STERN BRACKET LOCK BAR | | | FA85193 | TIE BAR END W/SWIVEL ... | 17 | 2 |
| | W/HANDLE | 39 | 49 | FA85193 | TIE BAR END W/SWIVEL ... | 21 | 2 |
| FA438431 | FUEL PUMP BODY | | | FA85355-1 | WASHER | 39 | 71 |
| | W/VALVES | 25 | 12 | FA85655-1 | CRANKSHAFT MAIN | | |
| FA438493 | TERMINAL BLOCK BRACKET | 7 | 11 | | BEARING RACE W/SNAP | | |
| FA439746 | FUEL PUMP COVER | 25 | 1 | | RING | 35 | 9 |
| FA440157 | CARBURETOR ADAPTER | | | FA98689 | BEARING | 31 | 72 |
| | UPPER, W/FITTING AND | | | FC523010 | SHORT BLOCK, | 33 | - |
| | STUDS | 27 | - | FC523054 | GEAR HOUSING COMPLETE | 43 | - |
| FA440167 | CARBURETOR ADAPTER | | | FG1003-1 | GASKET SET (NOT SHOWN) | 33 | - |
| | LOWER, W/FITTING AND | | | FK17114-1 | INDICATOR | 47 | 32 |
| | STUDS | 27 | 33 | FK405020 | SWIVEL W/CLAMP, | | |
| FA467892 | INSERT PLATE FRONT - | | | | SHOULDER SCREW AND | | |
| | U.S.A. | 3 | 41 | | NUT | 29 | 24 |
| FA467893 | INSERT PLATE FRONT - | | | FK523128 | DRIVESHAFT W/BEARING, | | |
| | CANADA | 3 | - | | SHIMS AND CRUSH RING | 43 | 68 |
| FA474260 | PISTON RING SET FOR 2 | | | FK750-1 | SPARKIE W/SPRING | 15 | 44 |
| | PISTONS | 35 | 1 | FK85228-1 | BEARING CAGE W/ROLLER | 35 | 7 |
| FA480876 | GEAR SHIFT ARM | 31 | 66 | FO10165 | INLET SEAL GASKET | 17 | 39 |
| FA480894 | TIMING POINTER | 29 | 4 | FO10588 | BODY CHANNEL CUP PLUG | 17 | 9 |
| FA481469 | HANDLE W/SHAFT | 3 | 12 | FO10588 | BODY CHANNEL CUP PLUG | 21 | 24 |
| FA481743 | ROLLER BRACKET | 3 | 33 | FO10790 | INLET NEEDLE, SEAL AND | | |
| FA489309 | DISTRIBUTOR | 15 | - | | GASKET | 17 | 38 |
| FA489385 | INSERT, PLATE SIDE | 5 | 10 | FO11103 | IDLE MIXTURE SCREW | | |
| FA489528 | INSERT, PLATE REAR | 5 | 4 | | SPRING | 19 | 46 |
| FA489944 | ENGINE COVER | | | FO11103 | IDLE MIXTURE SCREW | | |
| | W/RETAINER, SCREWS | | | | SPRING | 21 | 14 |
| | AND NUTS | 3 | 7 | FO12400 | RETAINING SCREW | | |
| FA490385 | INSERT, PLATE SIDE | 5 | 10 | | WASHER | 21 | 27 |
| FA490528 | INSERT, PLATE REAR | 5 | 4 | FO12947 | MAIN FUEL JET, .096 | | |
| FA491385 | INSERT, PLATE SIDE | 5 | 10 | | STANDARD | 21 | 15 |
| FA491528 | INSERT, PLATE REAR | 5 | 4 | FO13194 | MAIN FUEL JET (.080) | 19 | 48 |
| FA510497 | TERMINAL BLOCK | 7 | 15 | FO13552 | FUEL BOWL | 17 | 33 |
| FA523010 | CYLINDER W/CRANKCASE | | | FO13554 | FLOAT | 17 | 37 |
| | COVER, PARTING LINE | | | FO13554 | FLOAT | 23 | 48 |
| | SEAL, | 33 | 1 | FO13555 | CHOKE SHUTTER | 19 | 44 |
| FA523054 | GEAR HOUSING | 41 | 33 | FO13942 | THROTTLE SHUTTER | 17 | 11 |
| FA523060 | WATER PUMP BODY | | | FO13944 | FLOAT LEVER PIN | 17 | 36 |
| | W/DRIVESHAFT SEAL, | | | FO13944 | FLOAT LEVER PIN | 23 | 49 |
| | DISC AND WATERLINE | | | FO13945 | FUEL BOWL RETAINING | | |
| | SEAL | 43 | 59 | | SCREW | 17 | 31 |
| FA523098 | PROPELLER SHAFT | 41 | 23 | FO13946 | IDLE MIXTURE SCREW | 19 | 45 |
| FA523266 | BEVEL PINION GEAR | | | FO13947 | CHOKE SHAFT RETURN | | |
| | W/CRUSH RING AND | | | | SPRING | 17 | 41 |
| | SHIMS | 41 | 35 | FO13949 | MAIN FUEL JET (.086) | 19 | 48 |
| FA523301 | UNIT W/DECAL | 9 | 45 | FO14166 | IDLE MIXTURE SCREW | 21 | 13 |
| FA523485 | ANTICORROSION ANODE .. | 41 | 20 | FO15217 | MAIN NOZZLE | 17 | 35 |
| FA523706 | GEAR HOUSING COVER | | | FO15231 | THROTTLE SHAFT AND | | |
| | W/SEALS | 43 | 52 | | LEVER | 17 | 7 |
| FA523735 | SEAL, INLET WATER LINE, | | | FO15623 | FUEL BOWL GASKET | 17 | 42 |
| | LOWER | 43 | 64 | FO15623 | FUEL BOWL GASKET | 23 | 46 |
| FA58976-1 | CONNECTOR, THROTTLE | | | FO15912 | CHOKE AND THROTTLE | | |
| | CABLE | 47 | 1 | | SHUTTER SCREW | 21 | 9 |

PARTS INDEX

| Part Number | Description | Pg. | Ref. No. | Part Number | Description | Pg. | Ref. No. |
|-------------|---|-----|----------|--------------|---|-----|----------|
| FO16128 | BODY CHANNEL WELCH PLUG | 21 | 25 | FSA474260 | PISTON RING SET FOR 2 PISTONS .010 OVERSIZE (NOT SHOWN) | 35 | - |
| FO16130 | FUEL BOWL | 23 | 51 | FT2953 | SOCKET | 51 | - |
| FO16132 | FUEL BOWL RETAINING SCREW | 21 | 11 | FT2990 | PISTON PIN TOOL | 51 | - |
| FO16133 | MAIN NOZZLE | 23 | 50 | FT2996 | RING COMPRESSOR | 51 | - |
| FO16136 | CHOKE SHAFT RETURN SPRING | 21 | 45 | FT8901 | INDICATOR HOLDER | 52 | - |
| FO16142 | THROTTLE SHUTTER | 21 | 26 | FT8902 | DIAL INDICATOR | 52 | - |
| FO16143 | THROTTLE SHAFT RETURN SPRING | 21 | 22 | FT8903 | SEAL INSTALLER | 51 | - |
| FO16145 | THROTTLE SHAFT AND LEVER | 21 | 21 | FT8907 | DRIVE HANDLE | 51 | - |
| FO16301 | CHOKE SHAFT AND LEVER | 21 | 44 | FT8907 | DRIVER HANDLE | 52 | - |
| FO16697 | INLET NEEDLE | 23 | 47 | FT8908 | PROPELLER SHAFT SEAL INSTALLER | 52 | - |
| FO17181 | IDLE TUBE | 19 | 52 | FT8914 | SEAL REMOVER | 51 | - |
| FO17241 | CHOKE SHAFT AND LEVER | 17 | 40 | FT8915 | PROPELLER SHAFT SEAL PROTECTOR | 52 | - |
| FO17719 | CHOKE SHUTTER | 21 | 10 | FT8919 | SPRING PIN PUNCH | 52 | - |
| FO1974 | SCREW | 19 | 51 | FT8922 | SLIDE HAMMER | 51 | - |
| FO1974 | SCREW | 21 | 18 | FT8925 | DRIVESHAFT SEAL INSTALLER | 52 | - |
| FO2510 | FUEL BOWL RETAINING SCREW GASKET | 17 | 32 | FT8926 | RING EXPANDER | 51 | - |
| FO2510 | FUEL BOWL RETAINING SCREW WASHER | 17 | 34 | FT8927 | SEAL PROTECTOR | 51 | - |
| FO3804 | RETAINING SCREW WASHER | 17 | 14 | FT8933 | LIFTING HOOK | 53 | - |
| FO4326 | BODY CHANNEL WELCH PLUG | 17 | 13 | FT8948-1 | FLYWHEEL PULLER | 50 | - |
| FO5323 | FUEL BOWL RETAINING SCREW GASKET | 23 | 52 | FT8948-1 | PROPELLER SHAFT BEARING CAGE PULLER | 52 | - |
| FO6393 | RETAINING SCREW | 17 | 16 | FT8950 | LEAKAGE TESTER | 53 | - |
| FO6393 | RETAINING SCREW | 21 | 29 | FT8957 | SEAL INSTALLER | 52 | - |
| FO6396 | RETAINING SCREW LOCKWASHER | 17 | 15 | FT8978 | POWER TIMING LIGHT | 50 | - |
| FO6396 | RETAINING SCREW LOCKWASHER | 21 | 28 | FT8997 | SHIMMING TOOL | 52 | - |
| FO8942 | CHOKE SHUTTER RETAINING SCREW AND LOCKWASHER | 17 | 43 | FTA2937-1 | TIMING TOOL | 50 | - |
| FO8942 | THROTTLE SHUTTER RETAINING SCREW AND LOCKWASHER | 17 | 12 | FTA8994 | PISTON PIN TOOL | 51 | - |
| FO9678 | CLIP, CHOKE SHAFT | 19 | 49 | SA475015 | PISTON .010 OVERSIZE (NOT SHOWN) | 35 | - |
| FO9678 | CLIP, CHOKE SHAFT | 21 | 16 | 22-818103--1 | ELBOW, CYLINDER DRAIN LOWER | 31 | 44 |
| FO992 | LOCKWASHER | 19 | 50 | 30-F284659-2 | BEARING, CRANKSHAFT UPPER MAIN | 35 | 22 |
| FO992 | LOCKWASHER | 21 | 17 | 31-817785A2 | CRANKSHAFT BEARING CAGE W/SEAL | 35 | 18 |
| FP523 | PROPELLER - 105 & 120 H.P. (ACCESSORY ITEM) | 41 | 17 | 31-FA523014 | CRANKSHAFT LOWER MAIN BEARING | 35 | 12 |
| FP524 | PROPELLER - 135 H.P. (ACCESSORY ITEM) | 41 | - | 32-77653-77 | BALANCE TUBE | 27 | 34 |
| FS409752 | FUEL LINE COMPLETE (NOT SHOWN) | 45 | - | 32-817738A1 | FUEL LINE LONG W/CLAMP AND FERRULE | 45 | 10 |
| FS480179 | TRIM TOP | 3 | 1 | 33-97180 | SPARK PLUG (CHAMPION L20V) | 31 | 77 |
| FS480269 | TILT HANDLE | 3 | 3 | 39-818110A1 | PISTON RING (4 PER SET) .030 OVERSIZE (NOT SHOWN) | 35 | - |
| FS489180 | TRIM REAR | 3 | 6 | 39-818122A1 | PISTON RING SET FOR 2 PISTONS .030 OVERSIZE (NOT SHOWN) | 35 | - |
| FS489888 | TRIM FRONT | 3 | 43 | 84-817775A1 | COIL WIRE W/TERMINAL CLIP | 13 | 29 |
| FS489955 | STARTER COMPLETE | 11 | - | 87-817778A1 | THERMOSWITCH | 33 | 98 |
| FSA335260 | PISTON RING (4 PER SET) .010 OVERSIZE (NOT SHOWN) | 35 | - | 400-817735A4 | CRANKSHAFT W/BEARING | 35 | 15 |
| | | | | 600-818052A4 | CONNECTING ROD W/CAP AND SCREWS | 35 | 6 |

PARTS INDEX

| Part Number | Description | Pg. | Ref. No. | Part Number | Description | Pg. | Ref. No. |
|---------------|---|-----|----------|-------------|-------------|-----|----------|
| 700-818111A2 | PISTON .030 OVERSIZE (NOT SHOWN) | 35 | - | | | | |
| 700-F372015-3 | PISTON | 35 | 2 | | | | |
| 900-817832A2 | CYLINDER HEAD | 33 | 80 | | | | |
| 900-817832A2 | CYLINDER HEAD | 33 | 80 | | | | |
| 1400-817958A6 | STERN BRACKET | 37 | 23 | | | | |