



# PARTS CATALOG

## 55 H.P.

### SERIAL NUMBER

55 (1977) .....	558BH
55 (1977) .....	558HH
55 (1977) .....	559BH
55 (1977) .....	559HH

# TABLE OF CONTENTS:

ACCESSORIES .....	44
CARBURETOR .....	10
CRANKSHAFT AND PISTON GROUP .....	20
ELECTRICAL COMPONENTS .....	6
ENGINE COVER AND SUPPORT PLATE .....	2
FUEL PUMP .....	16
FUEL TANK AND LINE .....	36
GEAR HOUSING .....	32
LUBRICATION CHART .....	47
MOTOR LEG .....	28
PARTS INDEX .....	49
POWER HEAD .....	22
REED PLATE .....	14
REMOTE CONTROL .....	38
SPECIAL ADJUSTMENTS .....	48
SPECIAL TOOLS - LOWER UNIT .....	42
SPECIAL TOOLS - POWERHEAD .....	41
SPECIAL TOOLS - TEST EQUIPMENT .....	43
SPECIAL TOOLS - TUNE-UP .....	40
SPECIFICATIONS .....	46
STARTER .....	18

**NOTE:** *Indented description indicate that these parts are included in preceding assembly.*

**AR** = As Required

**NSS** = Not Sold Separate

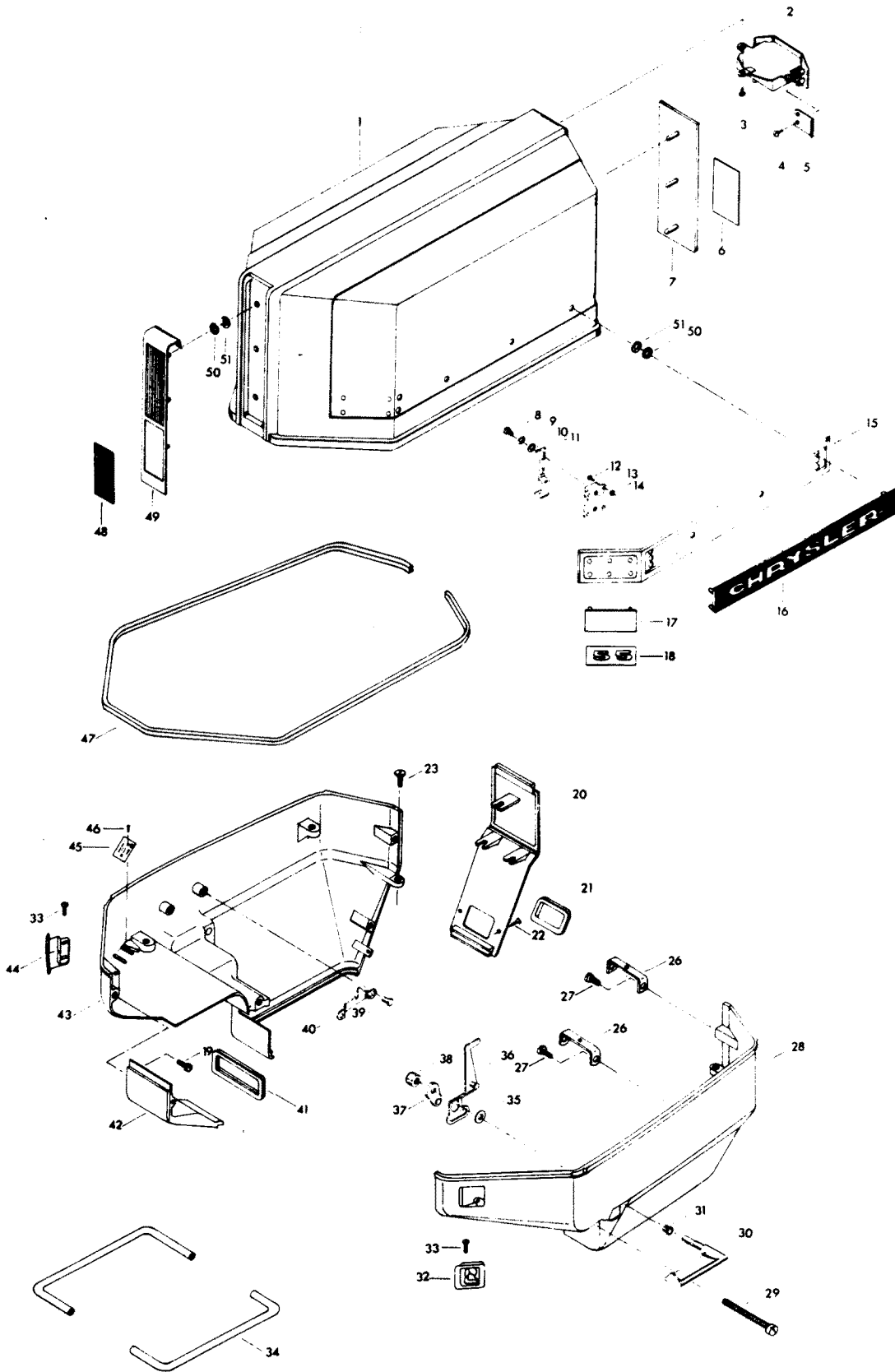
**OPT** = Optional

**NS** = Not Shown

**THESE PARTS BOOKS/FICHE CARD ARE COPYRIGHTED AND MAY NOT BE DISTRIBUTED OR REPRODUCED IN ANY OTHER FORMAT BY ANYONE OTHER THAN MERCURY MARINE WITHOUT THE PRIOR WRITTEN CONSENT OF MERCURY MARINE.**

THIS PAGE INTENTIONALLY LEFT BLANK

# ENGINE COVER AND SUPPORT PLATE

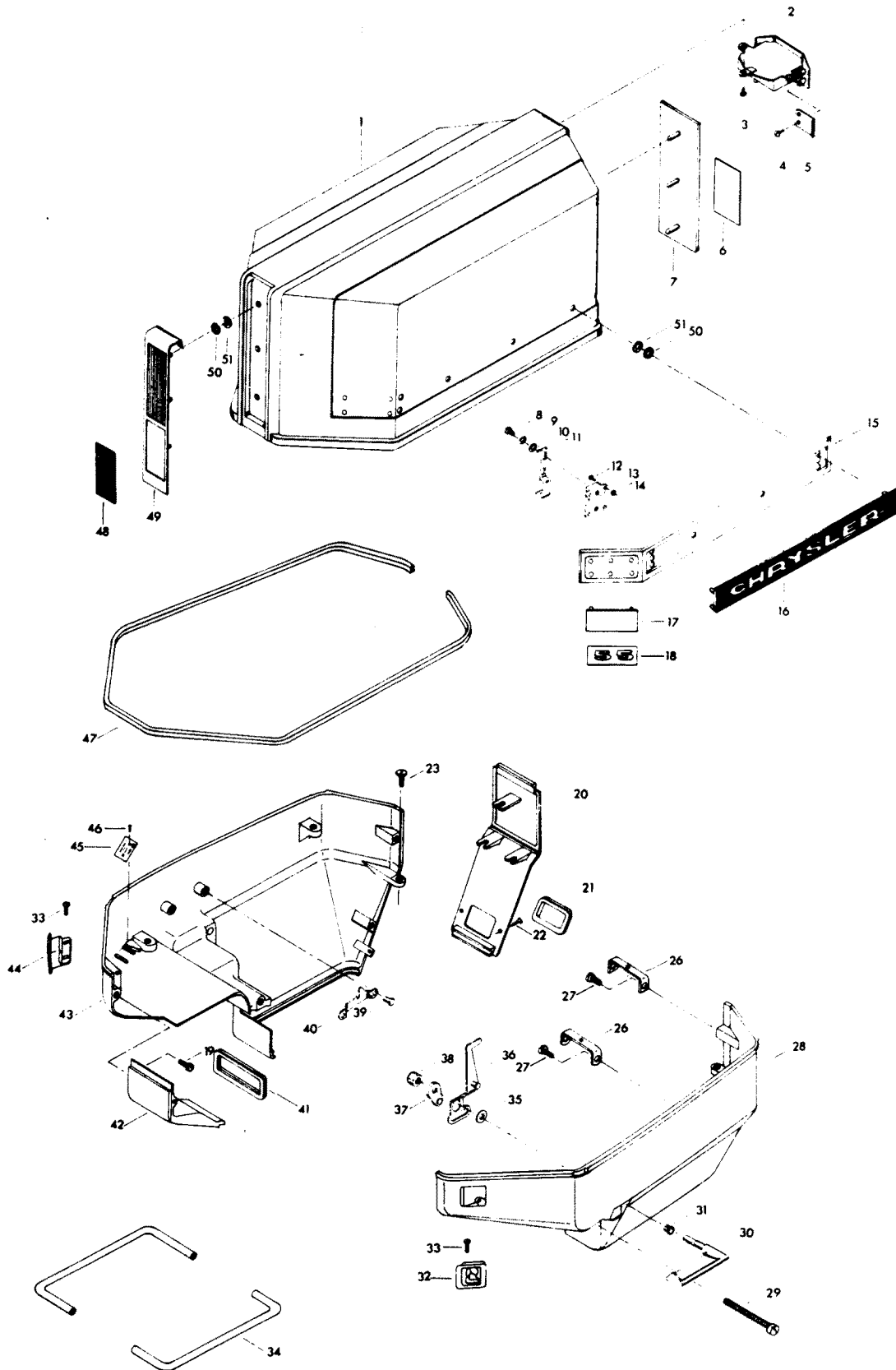


# ENGINE COVER AND SUPPORT PLATE

REF. NO.	PART NO.	SYM.	QTY.	DESCRIPTION
1	FS474712		1	ENGINE COVER W/BRACKETS AND RETAINERS
2	F474269		1	TILT HANDLE
3	F2025		1	PAN HD SCREW, 10 X 5/8
4	F1728		4	PAN HD SCREW, 10 - 3/8
5	F463864		2	RETAINER, TILT HANDLE
6	A465528-1		1	INSERT, TRIM REAR
7	F433180-1		1	REAR TRIM
8	F1854		4	HEX CAP SCREW, 1/4 - 20 X 5/8
9	F8083		4	LOCKWASHER
10	F8094		4	PLAIN WASHER
11	F474864		2	RETAINER, COVER LATCH
12	F1979		8	PAN HD SCREW, 10 - 24 X 1/2
13	FA474774		2	BRACKET, COVER LATCH W/SCREWS & NUTS
14	F7011		8	STOP NUT
15	F366392		2	SIDE PLATE
16	F463366		2	NAME PLATE, "CHRYSLER"
17	F485512		2	INSERT PLATE
18	FA465385		2	INSERT, NUMERAL
19	F1993		2	HEX SLOTTED HD M. SCREW, 1/4 - 20 X 5/8
20	F474156		1	COVER, SUPPORT PLATE REAR
21	F474991		1	GROMMET
22	F2072		2	OVAL COUNTERSUNK HD M. SCREW, 10 - 24 X 3/8
23	F2017		3	PAN HD SCREW W/PLAIN WASHER, 10 - 24 X 3/8
26	F474817		2	RETAINER, SUPPORT PLATE
27	F1689		4	HEX CAP SCREW, 1/4 - 20 X 1/2
28	FA474038		1	SUPPORT PLATE PORT W/LOWER PACKING
29	F2075		1	SLOTTED HD SCREW, S.S., 1/4 - 20 X 2 1/2
30	FA474469		1	HANDLE, COVER LATCH PORT W/SHAFT & PIN
-	<b>FA474499</b>		<b>1</b>	<b>HANDLE, COVER LATCH STARBOARD W/SHAFT AND PIN (NOT SHOWN)</b>
31	F390689		2	BEARING, LATCH SHAFT
32	F310189		1	BUSHING, ELECTRIC CABLE ENTRY
33	F1733		3	PAN HD SCREW, 10 - 24 X 9/16
34	F474315		2	PACKING, SUPPORT PLATE LOWER
35	F269052		2	BEARING, LATCH CAM
36	FA474777		1	CAM, PORT LATCH W/PIN
-	<b>FA474780</b>		<b>1</b>	<b>CAM, STARBOARD LATCH W/PIN (NOT SHOWN)</b>
37	F474377		1	LEVER, COVER LATCH PORT
-	<b>F474378</b>		<b>1</b>	<b>LEVER, COVER LATCH STARBOARD (NOT SHOWN)</b>
38	F7025		2	LOCKNUT, 3/8 - 16
39	F1689		4	HEX CAP SCREW, 1/4 - 20 X 1/2
40	F474897		1	GUIDE, COVER LATCH STARBOARD
-	<b>F474487</b>		<b>1</b>	<b>GUIDE, COVER LATCH PORT (NOT SHOWN)</b>

CONTINUED ON NEXT PAGE ➡

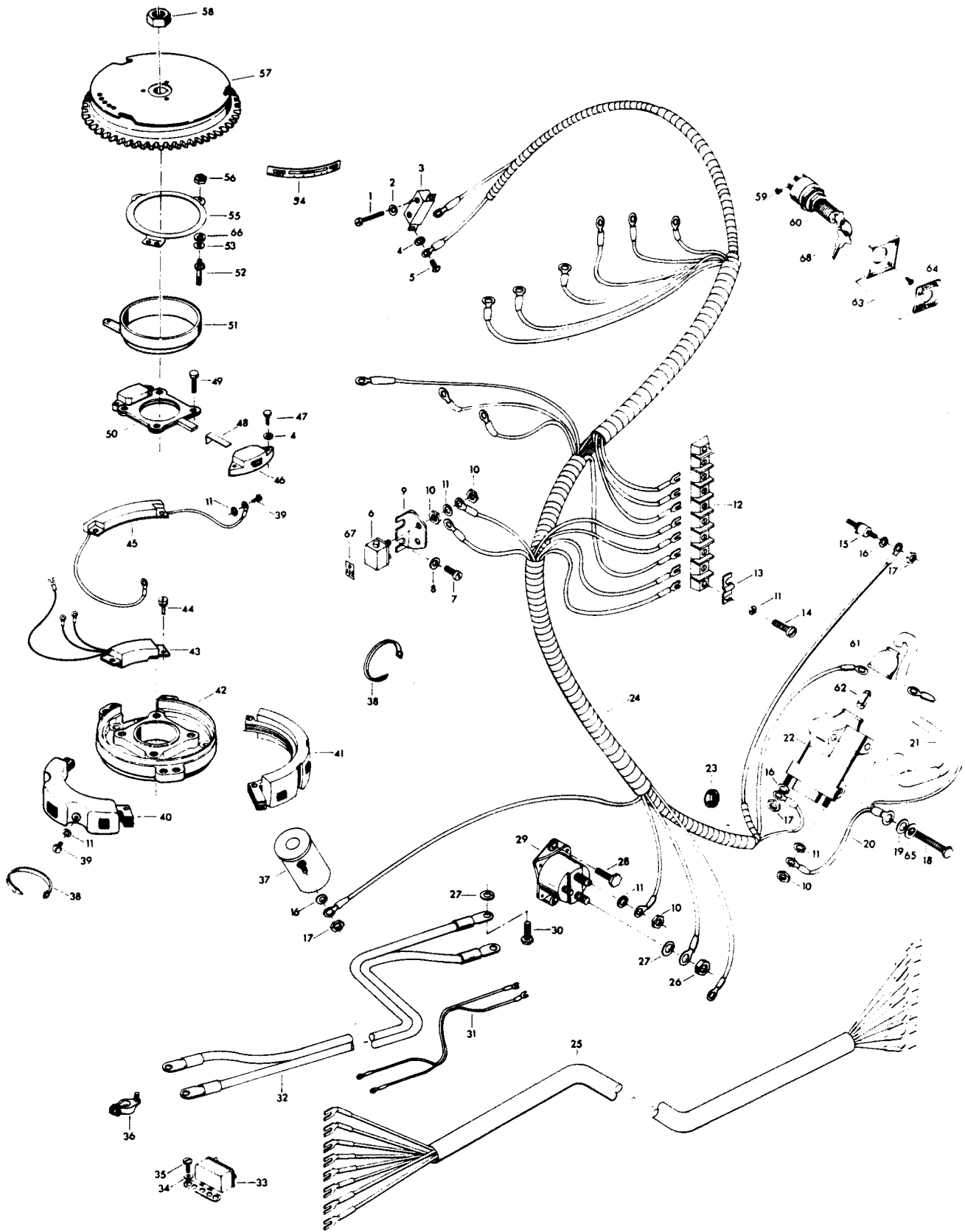
# ENGINE COVER AND SUPPORT PLATE



## ENGINE COVER AND SUPPORT PLATE

REF. NO.	PART NO.	SYM.	QTY.	DESCRIPTION
41	F474913		1	GROMMET
42	F474163		1	COVER, SUPPORT PLATE FRONT
43	FA474088		1	SUPPORT PLATE STARBOARD W/LOWER PACKING
44	F311189-1		1	BUSHING, CABLE ENTRY
45	FA77395-5		1	IDENT. PLATE W/SCREWS, (USA)
-	<b>AC16395-7</b>		<b>1</b>	<b>IDENT. PLATE W/SCREWS, (CANADA)</b>
46	F1293		2	DRIVE SCREW, 2 X 3/16
47	F474756		1	PACKING, SUPPORT PLATE FRONT
48	FA474892		1	INSERT FRONT PLATE, USA
-	<b>FA474893</b>		<b>1</b>	<b>INSERT FRONT PLATE, CANADA</b>
49	F463711-1		1	FRONT PLATE
50	F85735-1		24	SEAL, MEDALLION
51	F1753		24	FASTENER
-	<b>F474985</b>		<b>2</b>	<b>BLANKET, SILENCER, SIDE (NOT SHOWN)</b>
-	<b>F474984</b>		<b>1</b>	<b>BLANKET, SILENCER, TOP (NOT SHOWN)</b>
-	<b>F474992</b>		<b>1</b>	<b>BLANKET, SILENCER, FRONT, (NOT SHOWN)</b>

# ELECTRICAL COMPONENTS



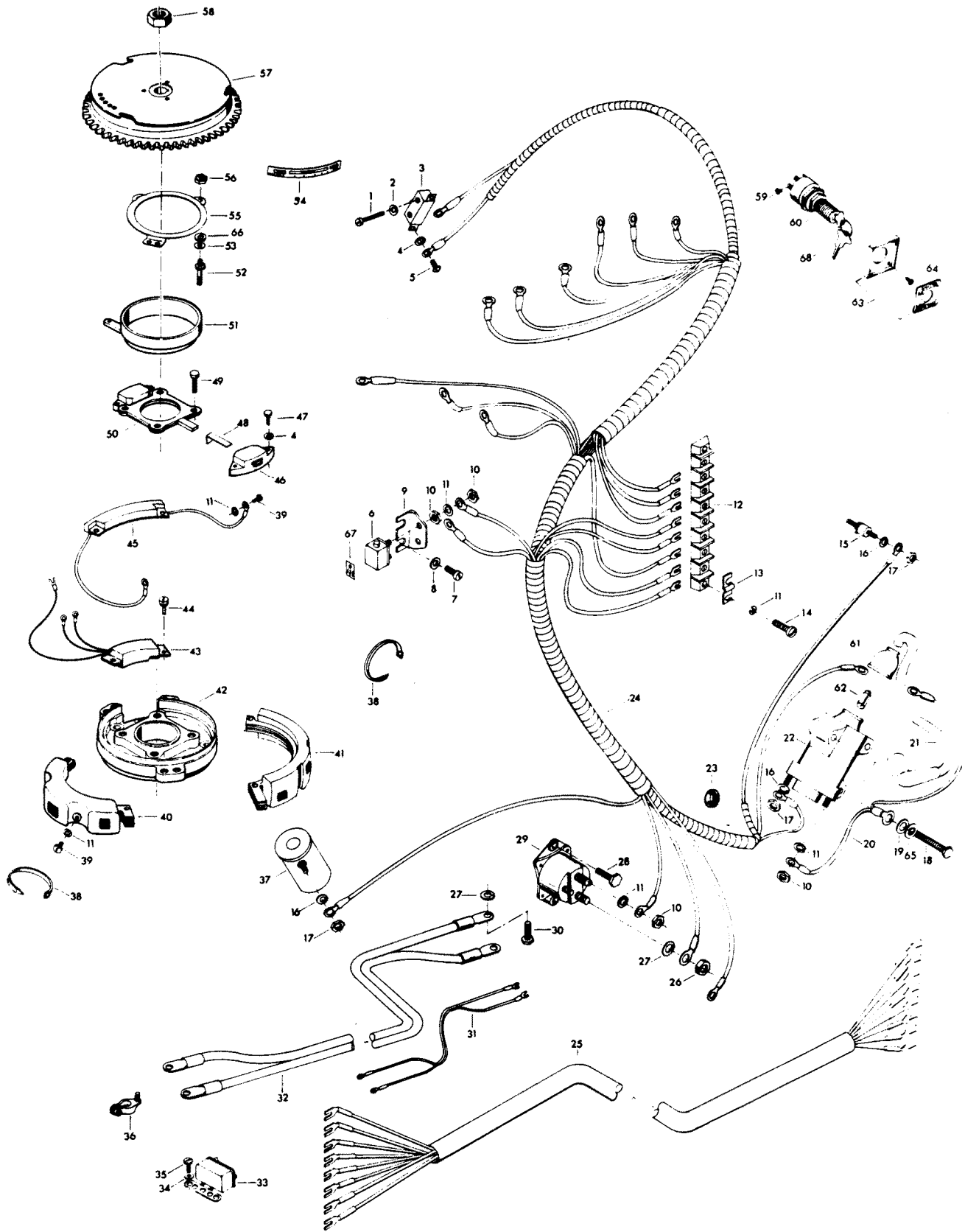


# ELECTRICAL COMPONENTS

REF. NO.	PART NO.	SYM.	QTY.	DESCRIPTION
1	F2016		2	SLOTTED FILL HD SCREW, 6 - 32 X 7/8
2	F8088		2	PLAIN WASHER
3	F84449		1	NEUTRAL INTERLOCK SWITCH
4	F1704		6	INTERNAL TOOTH LOCKWASHER
5	F1645		2	RD HD SCREW, 6 - 32 X 1 1/4
6	F510460		1	CIRCUIT BREAKER
7	F1733		2	SLOTTED PAN HD SCREW, 10 - 24 X 9/16
8	F8011		2	PLAIN WASHER
9	F91446-1		1	CIRCUIT BREAKER BRACKET
10	F1513		8	HEX NUT, 10 - 32
11	F1975		15	LOCKWASHER
12	FA510497		1	TERMINAL BLOCK
13	F307317		1	CLIP, TERMINAL BLOCK GROUND
14	F1648		2	PAN HD SCREW, 10 - 24 X 3/4
15	F404449		1	THERMOSWITCH
16	F8056		4	SPRING LOCKWASHER
17	F1647		4	HEX NUT, 8 - 32
18	F1891		6	HEX HD M. SCREW, 1/4 - 20 X 1 1/2
19	F2012		6	PLAIN WASHER
20	F345908		1	GROUND WIRE, COIL
21	84-817821A1		2	HI-TENSION WIRE
22	FS474475		2	IGNITION COIL
23	F24623-1		1	GROMMET
24	F474744-1		1	WIRING HARNESS
25	F85843-1		1	ELECTRIC CONTROL CABLE, 18 FEET
26	F1515		2	HEX NUT, S.S., 5/16 - 18
27	F8096		3	SPRING LOCKWASHER
28	F1705		2	HEX CAP SCREW, 1/4 - 20 X 3/4
29	F460917		1	STARTER RELAY
30	F1857		1	HEX CAP SCREW, 5/16 - 18 X 5/8
31	F404841		1	CABLE
32	F381896-4		1	BATTERY CABLE
33	F71H30		1	BUZZER, HEAT INDICATOR, (ACCESSORY ITEM)
34	F8011		2	PLAIN WASHER
35	F1741		2	PAN HD SCREW, 8 X 3/4
36	F71H26		1	BATTERY TERMINAL KIT (ACCESSORY ITEM)
37	F85924		1	CHOKE SOLENOID
38	F1845		2	TY-RAP, REGULATOR TO POWER PACK LEADS
39	F2077		7	SLOTTED PAN HD M. SCREW, 10 - 32 X 1/4
40	FS474095		1	ALTERNATOR STATOR
41	S474301-1		1	MODULE
42	F2A474144		1	BEARING CAGE W/CRANKSHAFT SEAL
43	FS474470		1	REGULATOR - RECTIFIER

CONTINUED ON NEXT PAGE ➡

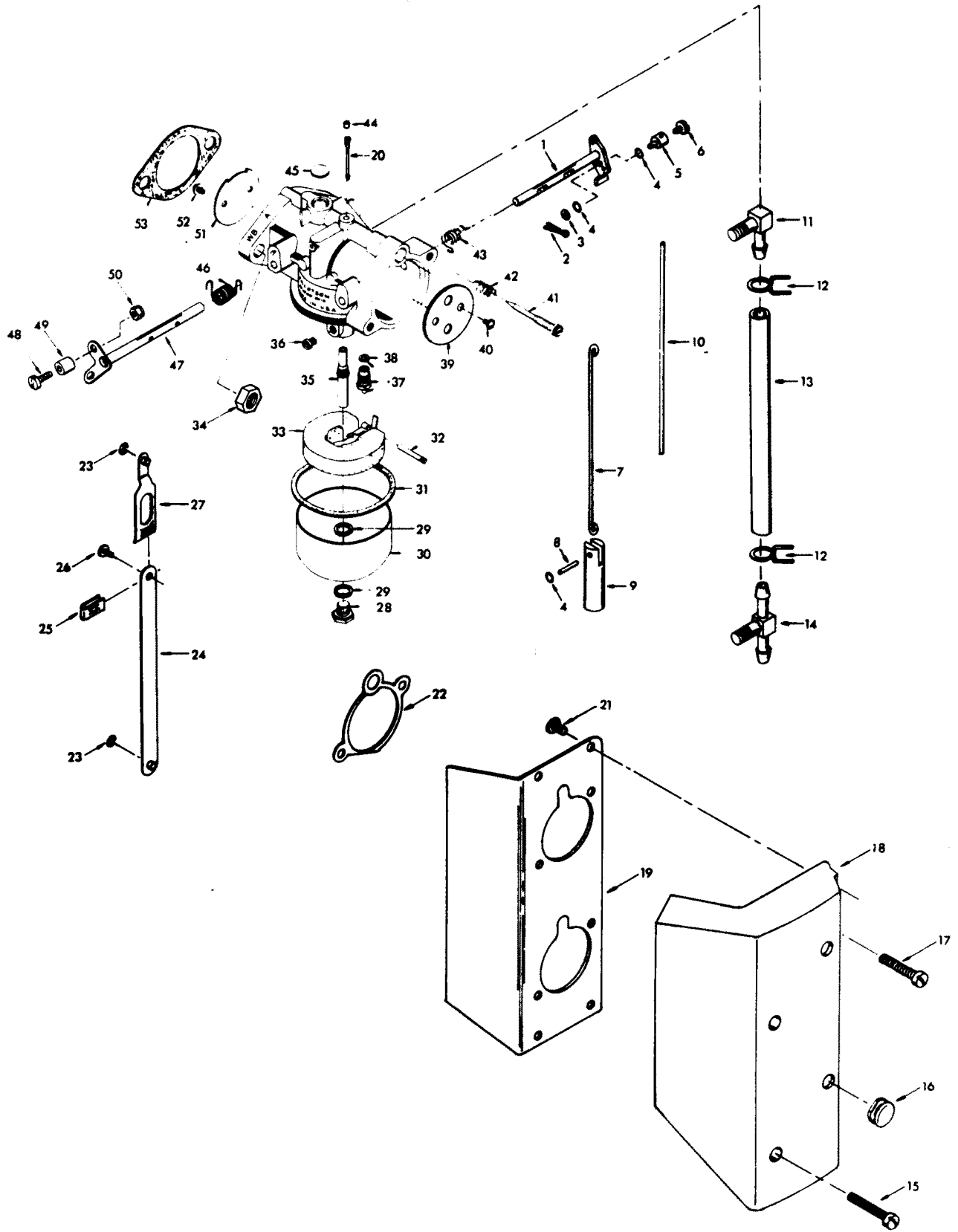
# ELECTRICAL COMPONENTS



# ELECTRICAL COMPONENTS

REF. NO.	PART NO.	SYM.	QTY.	DESCRIPTION
44	F1734		2	SLOTTED FILL HD SCREW W/LOCKWASHER, 1/4 - 20 X 1/2
45	FS474030		1	CAPACITOR
46	F12352-1		2	TRIGGER COIL
47	F1036		4	SLOTTED FILL HD M. SCREW W/SPRING LOCKWASHER, 6 - 32 X 1/4
48	F12353		2	CLIP
49	F2050		4	HEX CAP SCREW, 1/4 - 20 X 1/2
50	F12354		1	SPIDER
51	S474082-2		1	TIMING RING
52	F474531		4	STUD, TIMING RING RETAINER
53	F8048		4	BOWED WASHER
54	F474387		1	TIMING DECAL
55	F474178		1	RETAINER, TIMING RING
56	F1804		4	STOP NUT, 10 - 22
57	FS474097		1	FLYWHEEL
58	F1968		1	HEX NUT, 3/4 - 16
59	F1280		5	SLOTTED PAN HD SCREW, 8 - 32 X 1/4, IGNITION SWITCH <b>NOT SHOWN</b>
60	F74H19		1	SWITCH, IGNITION (ACCESSORY ITEM)
61	F203276		2	BOOT, COIL
62	F203673		2	CLIP
63	F71H21		1	IGNITION SWITCH MOUNTING KIT (ACCESS. ITEM)
64	F1934		4	FLAT HD SCREW, 6 X 1/2
65	F2106		1	INTERNAL TOOTH LOCKWASHER
66	F2042		4	PLAIN WASHER
67	F510374		1	DECAL, CIRCUIT BREAKER
-	<b>FA27232</b>		<b>1</b>	<b>EMERGENCY STARTER ROPE (NOT SHOWN)</b>

# CARBURETOR

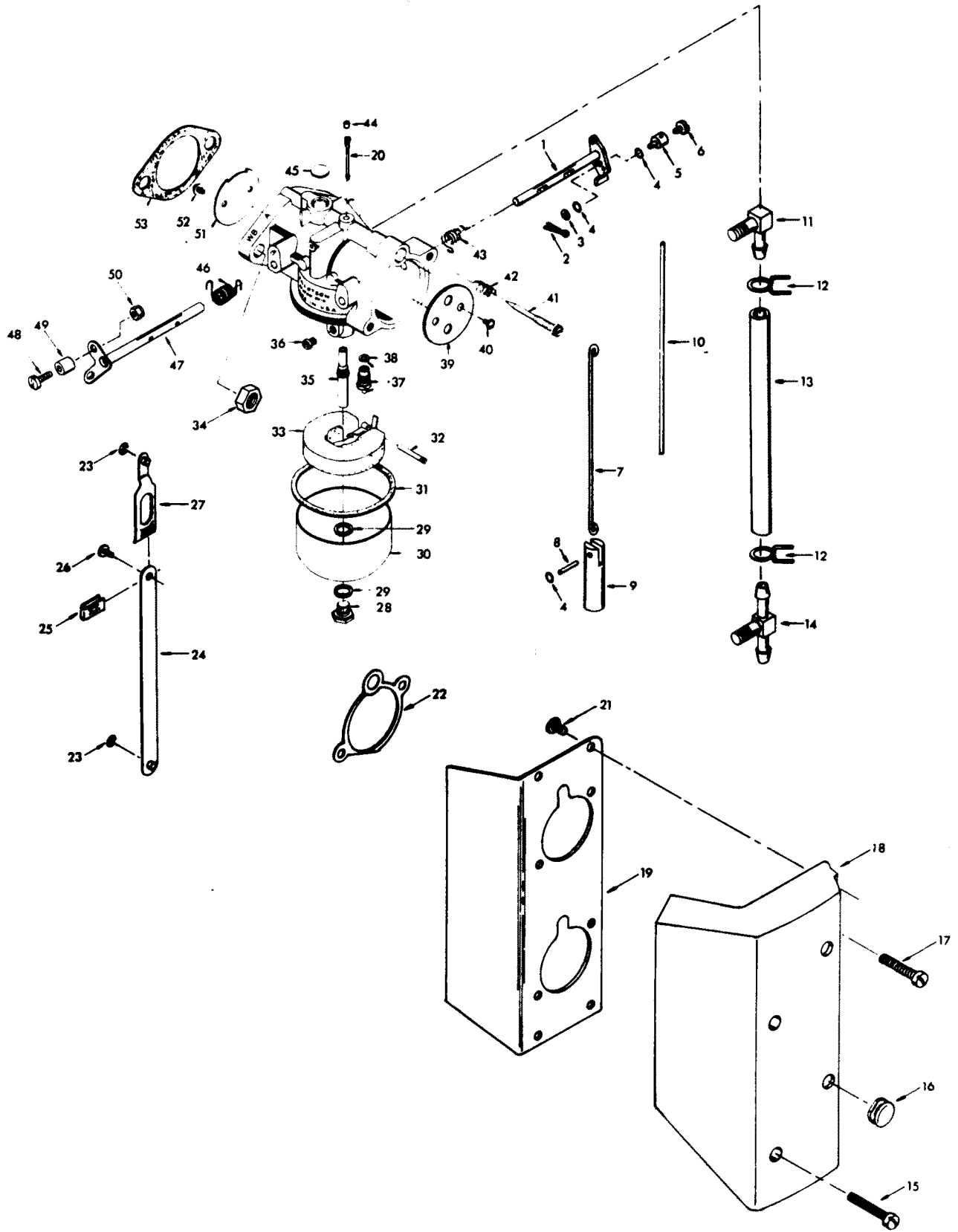


# CARBURETOR

REF. NO.	PART NO.	SYM.	QTY.	DESCRIPTION
1	FO16850		1	CHOKE SHAFT AND LEVER
2	F1014		2	COTTER PIN
3	F8088		2	PLAIN WASHER
4	F184579		5	SEAL, CHOKE ARM SWIVEL
5	F85033		1	SWIVEL, CHOKE ROD FOR TOP CARB.
-	<b>F184033-1</b>		<b>1</b>	<b>SWIVEL, CHOKE ROD FOR BOTTOM CARB. (NOT SHOWN)</b>
6	F1059		2	FILL HD SCREW, 6 - 32 X 1/4
7	F85925		1	CHOKE SOLENOID ROD
8	F2033		1	GROOVE PIN
9	F391926-1		1	PLUNGER, CHOKE SOLENOID
10	F474509		1	CHOKE LINK
11	F84314-2		1	ELBOW, FUEL LINE
12	F97772		2	HOSE CLAMP
13	F474253		1	FUEL LINE
14	F85314-1		1	ELBOW, FUEL LINE FOR BOTTOM CARB.
15	F1820		2	FILL HD SCREW, 1/4 - 20 X 1 3/8
16	F53504		2	GROMMET
17	F1504		2	FILL HD SCREW, 1/4 - 20 X 1 1/4
18	F474860		1	CARBURETOR INTAKE
19	F474567		1	ADAPTER, CARBURETOR INTAKE
20	FO17181		1	IDLE TUBE
21	F1306		5	SLOTTED ROUND HD SCREW, 10 - 24 X 3/8
22	F481836		2	GASKET
23	F90807		2	RETAINING RING
24	FA474511		1	TIE BAR W/SWIVEL
25	F1693		1	TIE BAR RETAINER
26	F1064		1	SLOTTED HD SCREW, 8 - 32 X 3/8
27	FA85193		1	TIE BAR END W/SWIVEL
28	FO13945		1	FUEL BOWL RETAINING SCREW
29	FO2510		2	GASKET, FUEL BOWL RETAINING SCREW
30	FO13552		1	FUEL BOWL
31	FO15623		1	FUEL BOWL GASKET
32	FO13944		1	FLOAT LEVER PIN
33	FO13554		1	FLOAT
34	F1515		4	HEX NUT, 5/16 - 18
35	FO15217		1	MAIN NOZZLE
36	FO14188		1	MAIN FUEL JET (.066)
37	FO16311		1	INLET NEEDLE, SEAT AND GASKET
38	FO10165		1	INLET SEAT GASKET
39	FO13555		1	CHOKE SHUTTER
40	FO8942		2	SHUTTER SCREW W/LOCKWASHER
41	FO13946		1	IDLE SCREW
42	FO11103		1	IDLE SCREW SPRING

CONTINUED ON NEXT PAGE ➡

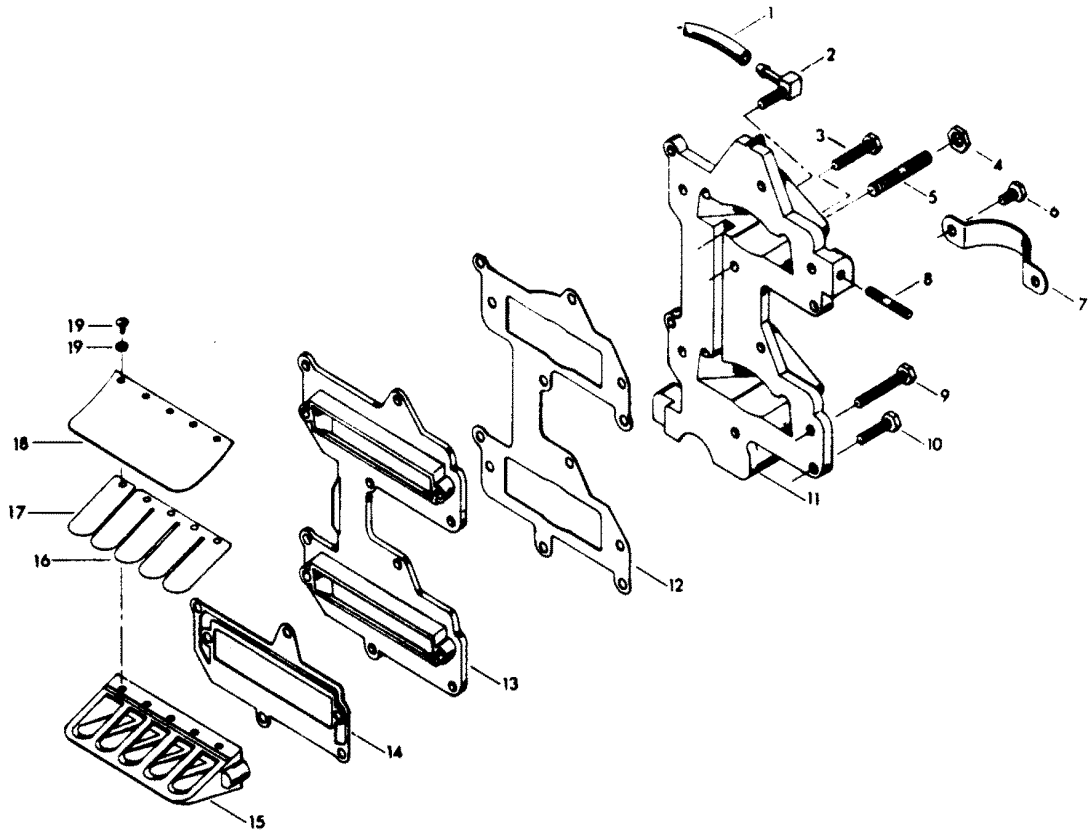
# CARBURETOR



# CARBURETOR

REF. NO.	PART NO.	SYM.	QTY.	DESCRIPTION
43	FO13947		1	CHOKE SHAFT RETURN SPRING
44	FO10588		1	BODY CHANNEL CUP PLUG
45	FO4326		1	BODY CHANNEL WELCH PLUG
46	FO16008		1	THROTTLE SHAFT RETURN SPRING
47	FO15230		1	THROTTLE SHAFT AND LEVER
48	F333316		1	THROTTLE ROLLER SHAFT
49	F92759		1	THROTTLE ROLLER
50	F1997		1	LOCK NUT, 8 - 32
51	FO16851		1	THROTTLE SHUTTER
52	FO8942		2	THROTTLE SHUTTER SCREW W/LOCKWASHER
53	F40906-1		2	CARBURETOR GASKET
-	<b>F475061</b>		<b>2</b>	<b>CARBURETOR COMPLETE (WB27A) (NOT SHOWN)</b>
-	<b>F10053</b>		<b>1</b>	<b>REPAIR PARTS KIT INCLUDES ALL ITEMS MARKED WITH AN ASTERISK (*) (NOT SHOWN)</b>
-	<b>F10000</b>		<b>1</b>	<b>GASKET SET (NOT SHOWN)</b>

# REED PLATE

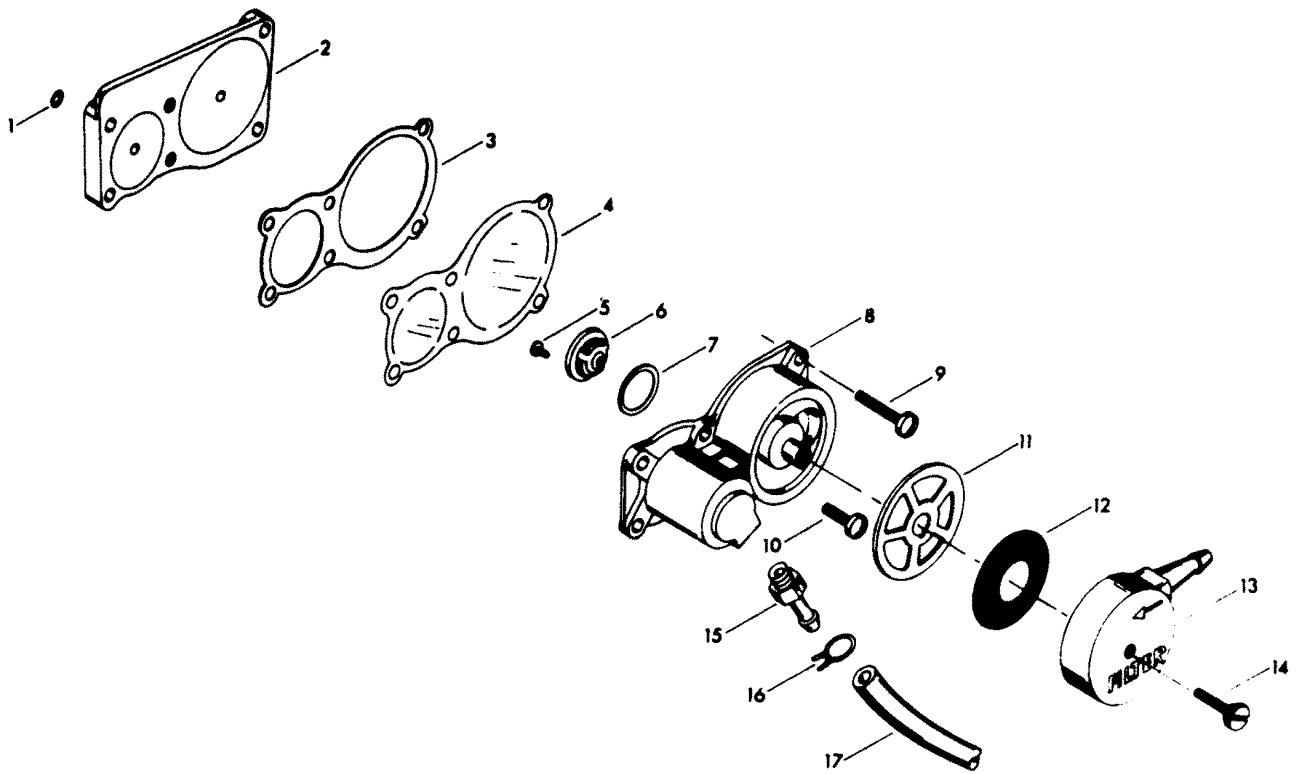




# REED PLATE

REF. NO.	PART NO.	SYM.	QTY.	DESCRIPTION
1	F406754-1		1	DRAIN HOSE
2	22-817740A1		1	PUDDLE DRAIN FITTING W/METERING CUP
3	F1916		1	HEX HD M. SCREW, 1/4 - 20 X 1 1/8
4	F1515		4	HEX NUT, 5/16 - 18
5	F40209		4	CARBURETOR STUD
6	F1236		2	HEX CAP SCREW, 1/4 - 20 X 1/2
7	F85317-1		1	SOLENOID CLAMP
8	F433209		1	STUD
9	F1708		4	HEX HD M. SCREW, 1/4 - 20 X 1 3/8
10	F1915		7	HEX HD M. SCREW, 1/4 - 20 X 7/8
11	F474167		1	CARBURETOR ADAPTER
12	F474168		1	CARBURETOR ADAPTER GASKET
13	F474162		1	REED PLATE ADAPTER
14	F85168		2	REED PLATE ADAPTER GASKET
15	F2A321158		2	REED PLATE W/REEDS, STOPS AND SCREWS
16	F335160		4	REED (4 PETAL)
17	F335164		4	REED (1 PETAL)
18	F85161-1		4	REED STOP
19	F1298		20	ROUND HD SCREW W/LOCKWASHER, 6 - 32 X 1/4

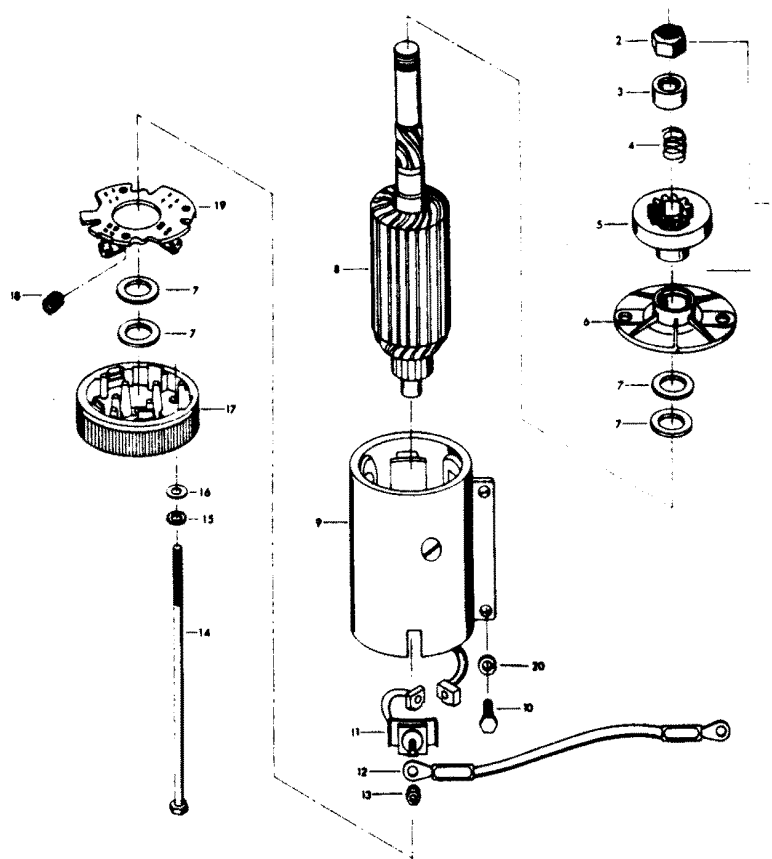
# FUEL PUMP



# FUEL PUMP

REF. NO.	PART NO.	SYM.	QTY.	DESCRIPTION
1	F50342-1		2	SEAL
2	F474746		1	FUEL PUMP COVER
3	F438760		1	FUEL PUMP GASKET
4	F438747		1	FUEL PUMP DIAPHRAGM
5	F1860		2	SLOTTED HD M. SCREW, 6 - 32 X 1/4
6	F177330		3	FUEL PUMP VALVE
7	F84792		3	FUEL PUMP VALVE GASKET
8	FA438431		1	FUEL PUMP BODY W/VALVES
9	F1889		4	FILL HD SCREW, 1/4 - 20 X 1 1/4
10	F1108		2	FILL HD SCREW, 1/4 - 20 X 3/4
11	F438617		1	FUEL SEDIMENT BOWL GASKET
12	F438653		1	FUEL PUMP SCREEN
13	F438500		1	FUEL SEDIMENT BOWL
14	F438165		1	SCREW, FUEL BOWL
15	F438801		1	FITTING
16	F97772		3	FUEL LINE CLAMPS
17	F438754		1	FUEL LINE, PUMP TO CARBURETOR

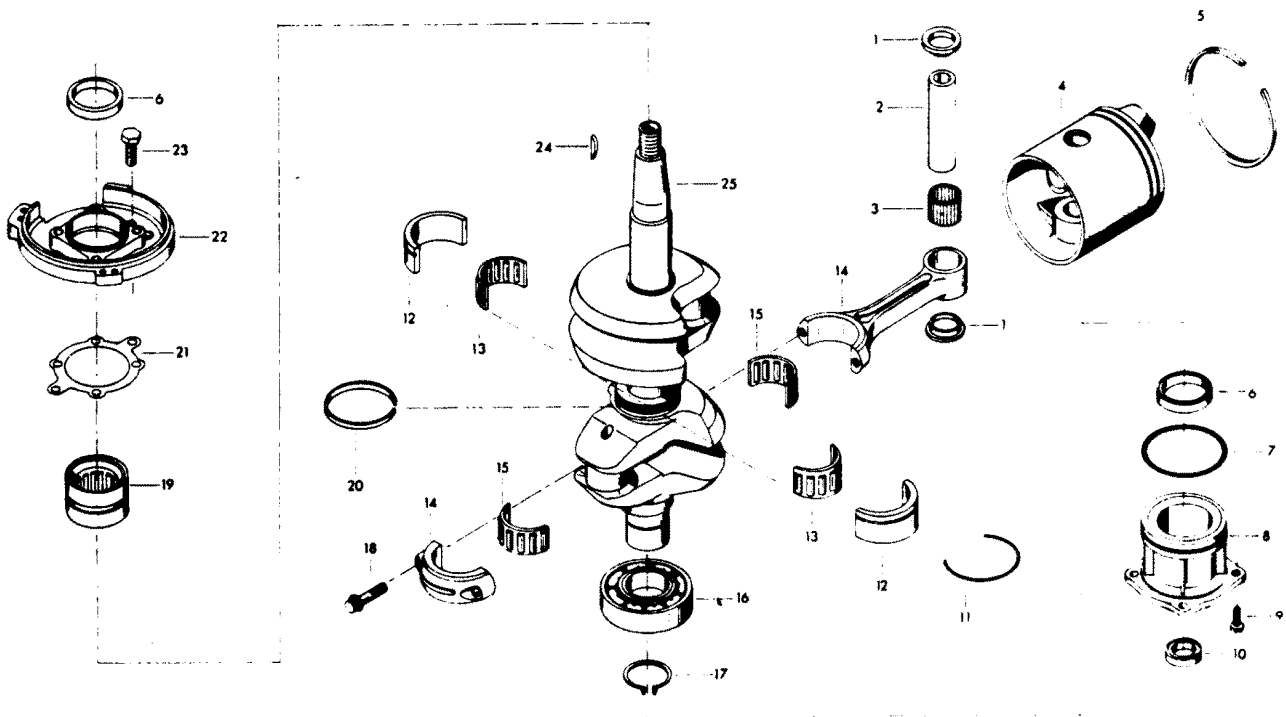
# STARTER



# STARTER

REF. NO.	PART NO.	SYM.	QTY.	DESCRIPTION
1	F15100		1	BENDIX DRIVE
6	F15120		1	HEAD ASSEMBLY, DRIVE END
7	F15126		1	THRUST WASHER PACKAGE
8	F15099		1	ARMATURE
9	F15119		1	FRAME AND FIELD ASSEMBLY
10	F1822		3	HEX CAP SCREW, 5/16 - 18 X 7/8
11	F15165		1	BRUSH AND TERMINAL SET
12	F307908		1	STARTER WIRE
13	FA15072		1	HEX LOCK NUT AND WASHER ASSEMBLY, 1/4 - 20
14	F15123		1	THRU BOLT PACKAGE
15	F8060		2	LOCKWASHER
16	F8028		2	PLAIN WASHER
17	F15125		1	HEAD ASSEMBLY, COMMUTATOR END
18	F15034		1	SPRING SET
19	F15057		1	BRUSH PLATE AND HOLDER
20	F8096		3	SPRING LOCKWASHER
-	<b>S474955-2</b>		<b>1</b>	<b>STARTER COMPLETE</b>

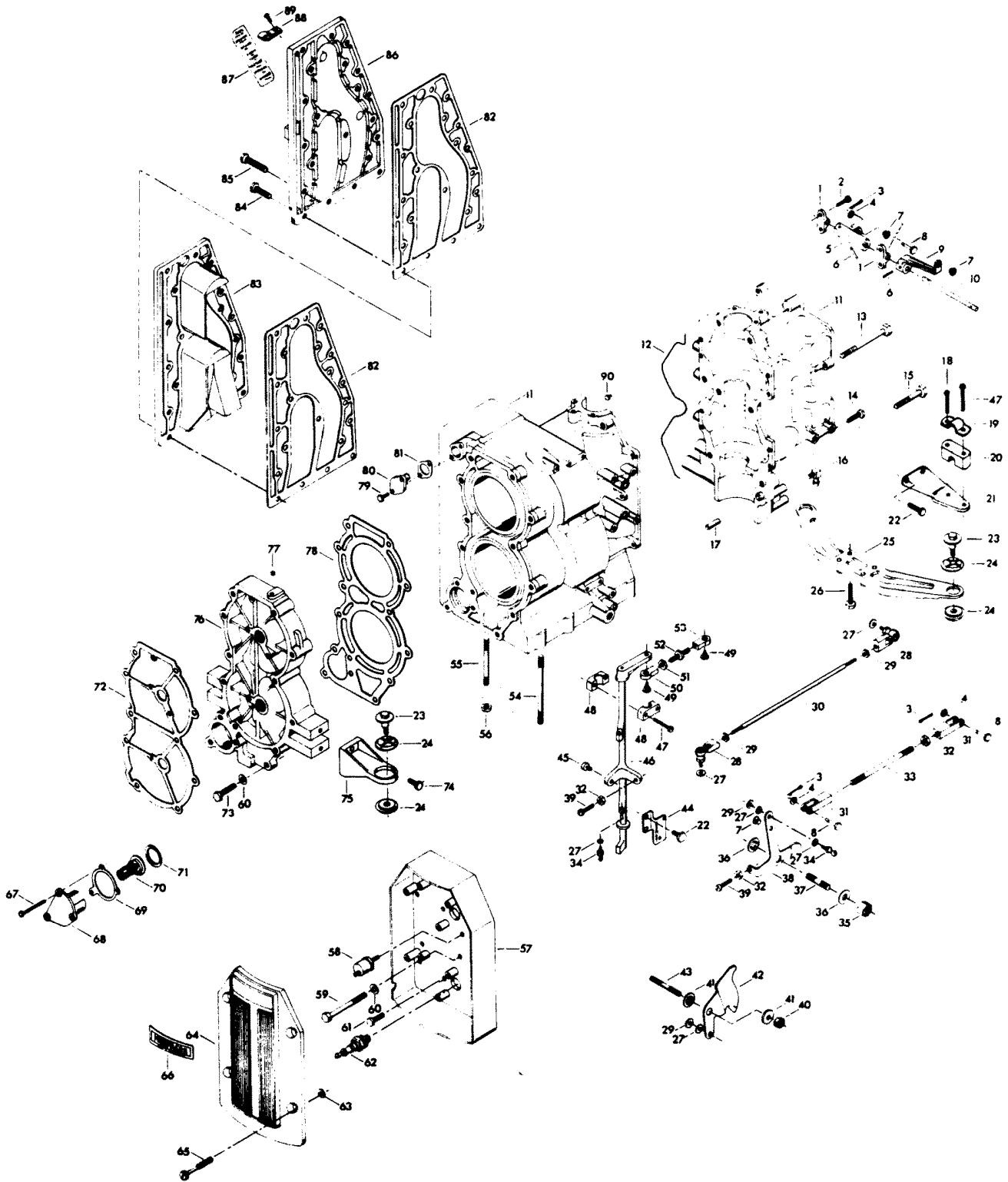
# CRANKSHAFT AND PISTON GROUP



## CRANKSHAFT AND PISTON GROUP

REF. NO.	PART NO.	SYM.	QTY.	DESCRIPTION
1	F335215		4	SPACER (2 PER PISTON)
2	F85017		2	PISTON PIN
3	F335217-1		2	BEARING
4	F474015-3		2	PISTON
5	FA474260		1	PISTON RING SET (4 PER SET)
6	F474146		2	SEAL, CRANKSHAFT
7	F84278		1	SEAL
8	31-818060A1		1	BEARING CAGE LOWER W/SEALS (ITEMS 6, 7 & 10) <b>ORIGINAL FORCE P/N 2A474644-1</b>
9	F1238		4	HEX CAP SCREW, 1/4 - 20 X 3/4
10	F474278		1	SEAL
11	F85410		1	SNAP RING
12	FA85655-1		1	CRANKSHAFT CENTER MAIN BEARING RACE W/SNAP RING
13	F85571		1	CENTER MAIN BEARING CAGE W/ROLLERS
14	FA435016		2	CONNECTING ROD W/CAP AND SCREWS
15	FA474228		2	BEARING CAGE W/ROLLERS (SPLIT HALF)
16	30-F284659-2		1	CRANKSHAFT LOWER MAIN BEARING
17	F2045		1	RETAINING RING
18	F435634		4	CONNECTING ROD SCREW
19	F474013		1	CRANKSHAFT UPPER MAIN BEARING
20	F316579		1	SEAL, CRANKCASE
22	F2A474144		1	CRANKSHAFT UPPER BEARING CAGE W/SEAL
23	F1238		2	HEX CAP SCREW, 1/4 - 20 X 3/4
24	F85498		1	FLYWHEEL KEY
25	F3A474018		1	CRANKSHAFT W/LOWER MAIN BEARING AND RETAINING RING
-	<b>F2067</b>		<b>1</b>	<b>PLASTISOL CAP (NOT SHOWN)</b>

# POWER HEAD



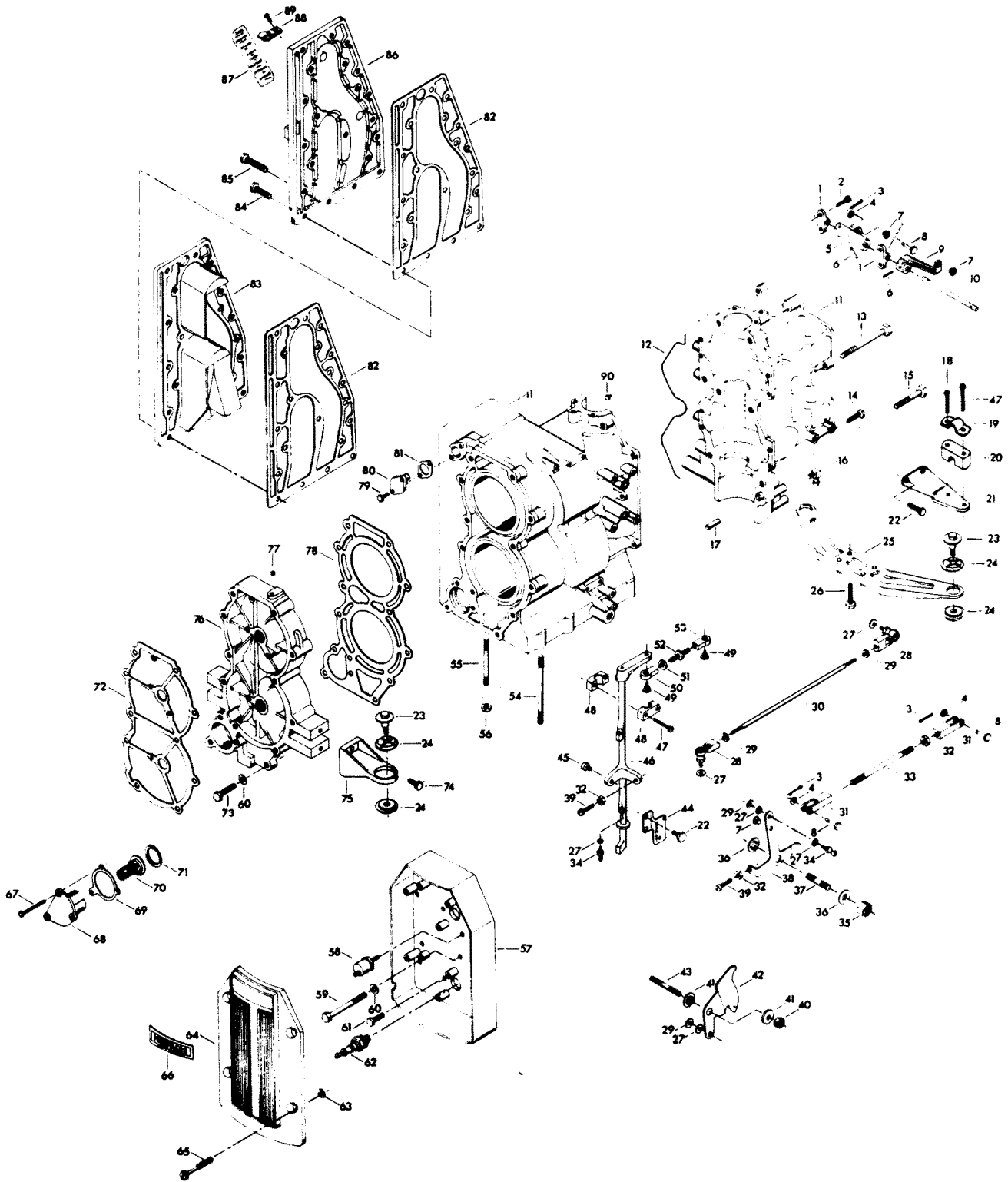


# POWER HEAD

REF. NO.	PART NO.	SYM.	QTY.	DESCRIPTION
1	F85689		2	BEARING
2	F1475		4	SLOTTED FILL HD SCREW, 10 - 24 X 1/2
3	F1017		3	COTTER PIN
4	F8094		3	PLAIN WASHER
5	F474640		1	PIVOT, GEAR SHIFT
6	F8547		2	SPRING PIN
7	F183818		3	BEARING, GEAR SHIFT COUPLER
8	F474620		3	PIN, GEAR SHIFT
9	F474621		1	LEVER, GEAR SHIFT
10	F474871		1	SHAFT, GEAR SHIFT
11	A474010-1		1	CYLINDER W/CRANKCASE COVER, STUDS, SCREWS AND DOWEL PINS
12	F269122-1		1	CRANKCASE PARTING LINE SEAL
13	F1873		2	HEX CAP SCREW, 3/8 - 16 X 3
14	F1914		8	HEX HD SCREW, 1/4 - 20 X 3/4
15	F1872		4	HEX CAP SCREW, 3/8 - 16 X 1 3/4
16	22-817740A1		1	FITTING, PUDDLE DRAIN W/METERING CUP
17	F8563		2	DOWEL PIN
18	F1829		1	SLOTTED FILL HD SCREW, 10 - 24 X 7/8
19	F154317		1	CABLE CLAMP
20	F474932		1	SPACER, CONTROL CABLE
21	F474371		1	REMOTE CABLE BRACKET
22	F1502		4	HEX CAP SCREW, 1/4 - 20 X 5/8
23	F458887		4	FASTENER, SUPPORT PLATE MOUNT
24	F458347		8	MOUNT
25	F474980-1		1	STABILIZER, FRONT
26	F2071		4	HEX CAP SCREW, 5/16 - 18 X 1 3/8
27	F8058		6	INTERNAL TOOTH LOCKWASHER
28	817747--1		2	BALL JOINT W/BEARING
29	F1513		4	HEX NUT, 10 - 32
30	F474193		1	THROTTLE LINK
31	F474704		2	COUPLER
32	F1341		3	HEX NUT, 1/4 - 20
33	F474881		1	LINK, GEAR SHIFT
34	F98273		2	ROD END CONNECTOR STUD
35	F7025		1	STOP NUT, S.S., 3/8 - 16
36	F269052		2	SHIFT ARM BEARING
37	F474859		1	STUD, SHIFT ARM
38	F474876		1	SHIFT ARM
39	F1052		2	FILL HD M. SCREW, 1/4 - 20 X 1
40	F1910		1	ELASTIC STOP NUT, 1/4 - 20
41	F269319		2	THROTTLE CAM BEARING
42	F474192		1	THROTTLE CAM

CONTINUED ON NEXT PAGE ➡

# POWER HEAD

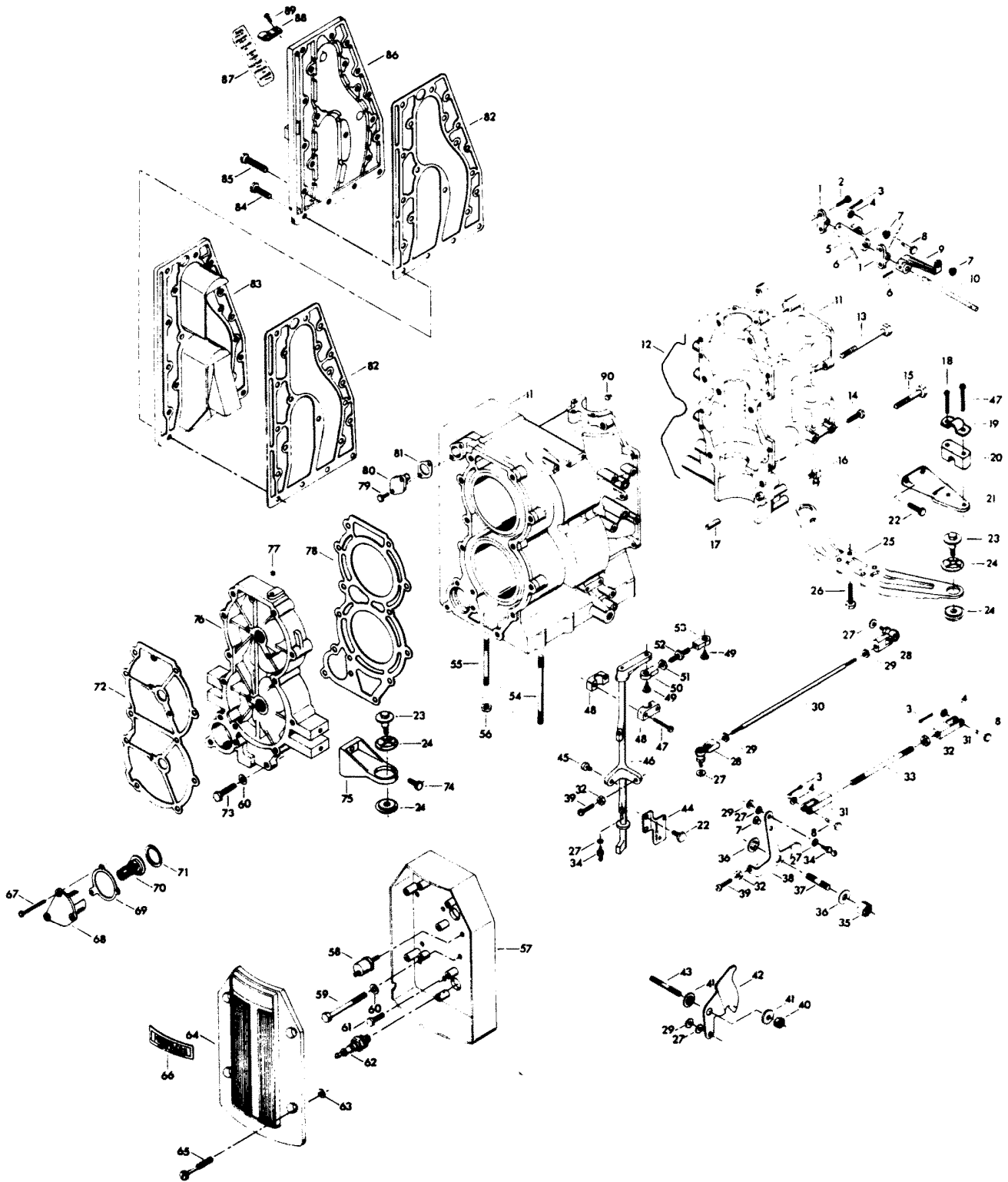


# POWER HEAD

REF. NO.	PART NO.	SYM.	QTY.	DESCRIPTION
43	F433209		1	STUD, THROTTLE CAM
44	F474551		1	BRACKET, INTERLOCK SWITCH
45	F1727		1	PLASTIC RIVET
46	F474838		1	TOWERSHAFT
47	F1995		5	FILL HD SCREW, 10 - 24 X 1
48	F433689		4	TOWERSHAFT BEARING
49	F84026		2	SPARK CONTROL SWIVEL
50	F84035-2		1	SPARK CONTROL BEARING, R.H.
51	F1473		1	HEX NUT, 10 - 24
52	F474445		1	SPARK, CONTROL LINK
53	F84036		1	SPARK CONTROL BEARING, L.H.
54	F474211		8	STUD, CYLINDER
55	F474210		1	STUD, CYLINDER
56	F2002		9	LOCK NUT
57	F474995		1	CYLINDER HEAD COVER
58	F404449		1	THERMOSWITCH
59	F2049		10	HEX CAP SCREW, 5/16 - 18 X 2 5/8
60	F1987		1	PLAIN WASHER
61	F1238		3	HEX CAP SCREW, 1/4 - 20 X 3/4
62	33-818007--1		2	SPARK PLUG (UL-18V)
-	<b>FC522227</b>		<b>2</b>	<b>SPARK PLUG (QUL-77V), MODELS 558BH, 559BH</b>
63	F85735-1		4	SEAL
64	F474648		1	SPARK PLUG COVER
65	F474751		4	SCREW, SPARK PLUG COVER
66	474373		1	DECAL, MAGNAPOWER II
67	F2051		3	HEX CAP SCREW, 1/4 - 20 X 2 1/4
68	F474066		1	THERMOSTAT COVER
69	F474067		1	THERMOSTAT COVER GASKET
70	F84068-2		1	THERMOSTAT
71	F84504		1	THERMOSTAT GROMMET
72	F474996		1	CYLINDER HEAD COVER GASKET
73	F2076		1	HEX CAP SCREW, 5/16 - 18 X 1 1/8
74	F1902		4	HEX CAP SCREW, 5/16 - 18 X 3/4
75	F474982		2	STABILIZER, REAR
76	FA474518		1	CYLINDER HEAD W/PLUG
77	F19109		1	PLUG, CYLINDER HEAD
78	F474529		1	CYLINDER HEAD GASKET
79	F1913		2	HEX CAP SCREW, 10 - 24 X 5/8
80	F438066		1	COVER, BY-PASS VALVE
81	F85762		1	GASKET, BY-PASS VALVE COVER
82	F474154		2	EXHAUST PORT PLATE GASKET
83	F474151		1	EXHAUST PORT PLATE
84	F1833		4	HEX CAP SCREW, 1/4 - 20 X 1

CONTINUED ON NEXT PAGE ➡

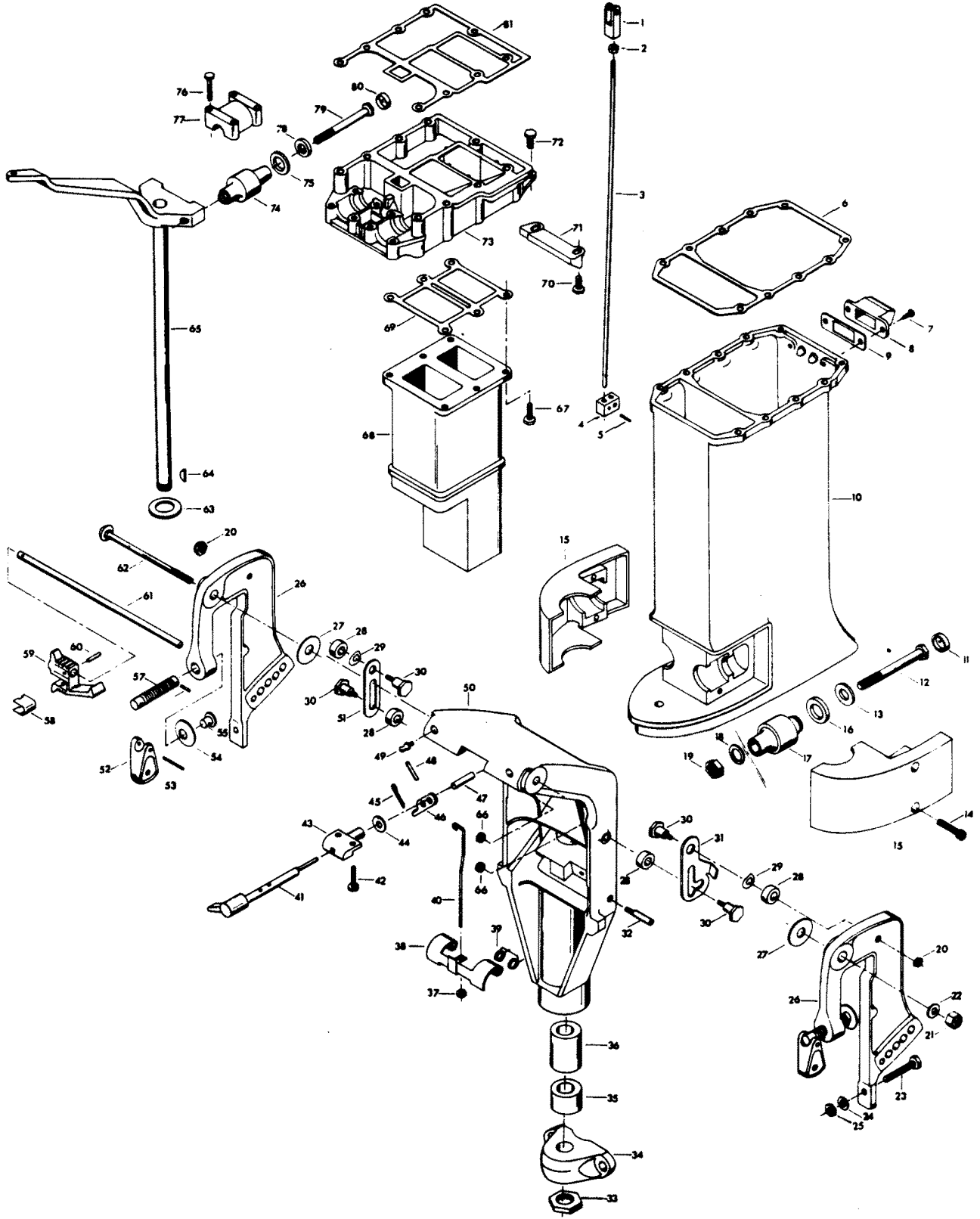
# POWER HEAD



# POWER HEAD

REF. NO.	PART NO.	SYM.	QTY.	DESCRIPTION
85	F1581		17	HEX CAP SCREW, 1/4 - 20 X 1 1/4
86	F474152		1	EXHAUST PORT COVER
87	F474398		1	DECAL, WIRING
88	F289446-1		1	CLAMP
89	F1734		1	SLOTTED FILL HD SCREW & LOCKWASHER, 1/4 - 20 X 1/2
90	F474909		2	LOCATING PIN
-	<b>FG1013</b>		<b>1</b>	<b>GASKET SET (NOT SHOWN)</b>
-	<b>474374</b>		<b>1</b>	<b>DECAL, IGNITION (NOT SHOWN)</b>
-	<b>C474010-1</b>		<b>1</b>	<b>SHORT BLOCK (NOT SHOWN) INCLUDES ALL ITEMS MARKED WITH AN ASTERISK (*). ALSO REFER TO CRANKSHAFT AND PISTON PAGE.</b>
-	<b>K749</b>		<b>1</b>	<b>PAINT SPRAY BOMB, FLAT BLACK ENAMEL, 6 OZ.</b>

# MOTOR LEG

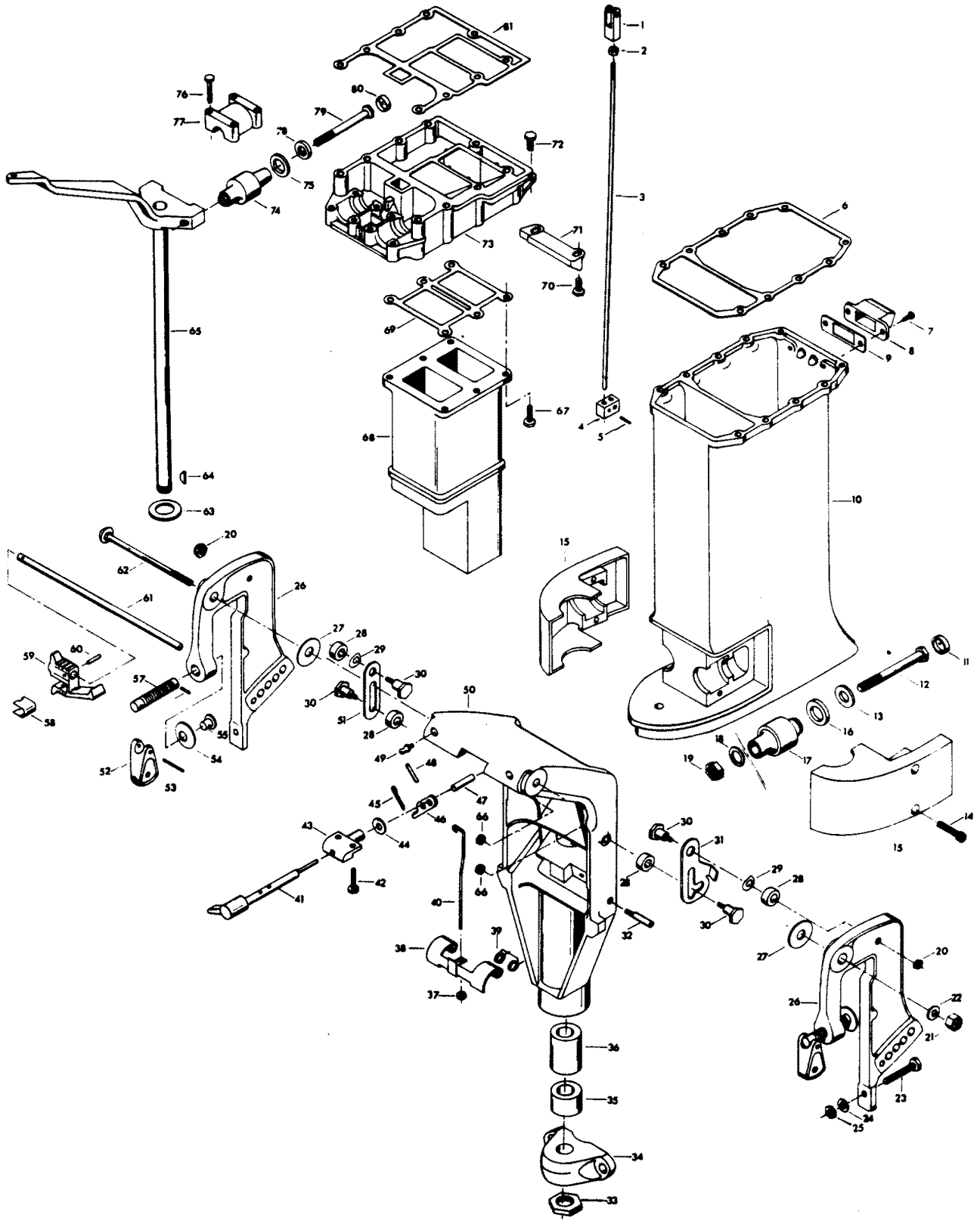


# MOTOR LEG

REF. NO.	PART NO.	SYM.	QTY.	DESCRIPTION
1	F474704		1	COUPLER, SHIFT ROD
2	F1341		1	HEX NUT, 1/4 - 20
4	F474273		1	COUPLING, GEAR SHIFT ROD
5	F8547		1	SPRING PIN
6	F474453		1	LEG EXHAUST GASKET
7	F1705		2	HEX CAP SCREW, 1/4 - 20 X 3/4
8	F474832		1	IDLE RELIEF COVER
9	F474833		1	GASKET, IDLE RELIEF COVER
11	F474539		2	BUMPER
12	F2069		2	HEX CAP SCREW, 7/16 - 14 X 4
13	F474359		2	WASHER
14	F1257		4	HEX SOCKET HD CAP SCREW, S.S., 5/16 - 18 X 1 1/4
15	F474707		2	SHOCK MOUNT COVER LOWER
16	F474847		2	WASHER
17	F474346-2		2	SHOCK MOUNT LOWER
18	F8067		2	SPRING LOCKWASHER
19	F2065		2	HEX NUT, 7/16 - 14
20	F7007		2	STOP NUT, 5/16 - 18
21	F7001		1	ELASTIC STOP NUT
22	F1656		1	PLAIN WASHER
23	F1593		2	HEX HD SCREW, S.S., 3/8 - 16 X 3
24	F1904		2	PLAIN WASHER
25	F1346		2	HEX NUT, 3/8 - 16
26	FK433032		2	STERN BRACKET W/CLAMP SCREW AND FOOT
27	F366286		2	STERN BRACKET FRICTION WASHER
28	F269929		4	SPACER, TILT STOP
29	F1666		2	BOWED SPRING WASHER
30	F366350		4	TILT STOP PIVOT
31	F366426		1	TILT STOP, PORT
32	F366886		2	PIN
33	F84280		1	KING PIN NUT
34	F474607		1	KING PIN YOKE
35	F474990		1	SPACER
36	F191169-1		2	SWIVEL BRACKET BEARING
37	F1669		1	LOCK NUT
38	F366349		1	REVERSE LOCK
39	F366300		2	REVERSE LOCK SPRING
40	F474510		1	LINK
41	F474827		1	HANDLE AND SHAFT
42	F1733		2	PAN HD SCREW, 10 - 24 X 9/16
43	F366884		1	BEARING
44	F8094		1	WASHER
45	F1014		1	COTTER PIN

CONTINUED ON NEXT PAGE ➡

# MOTOR LEG



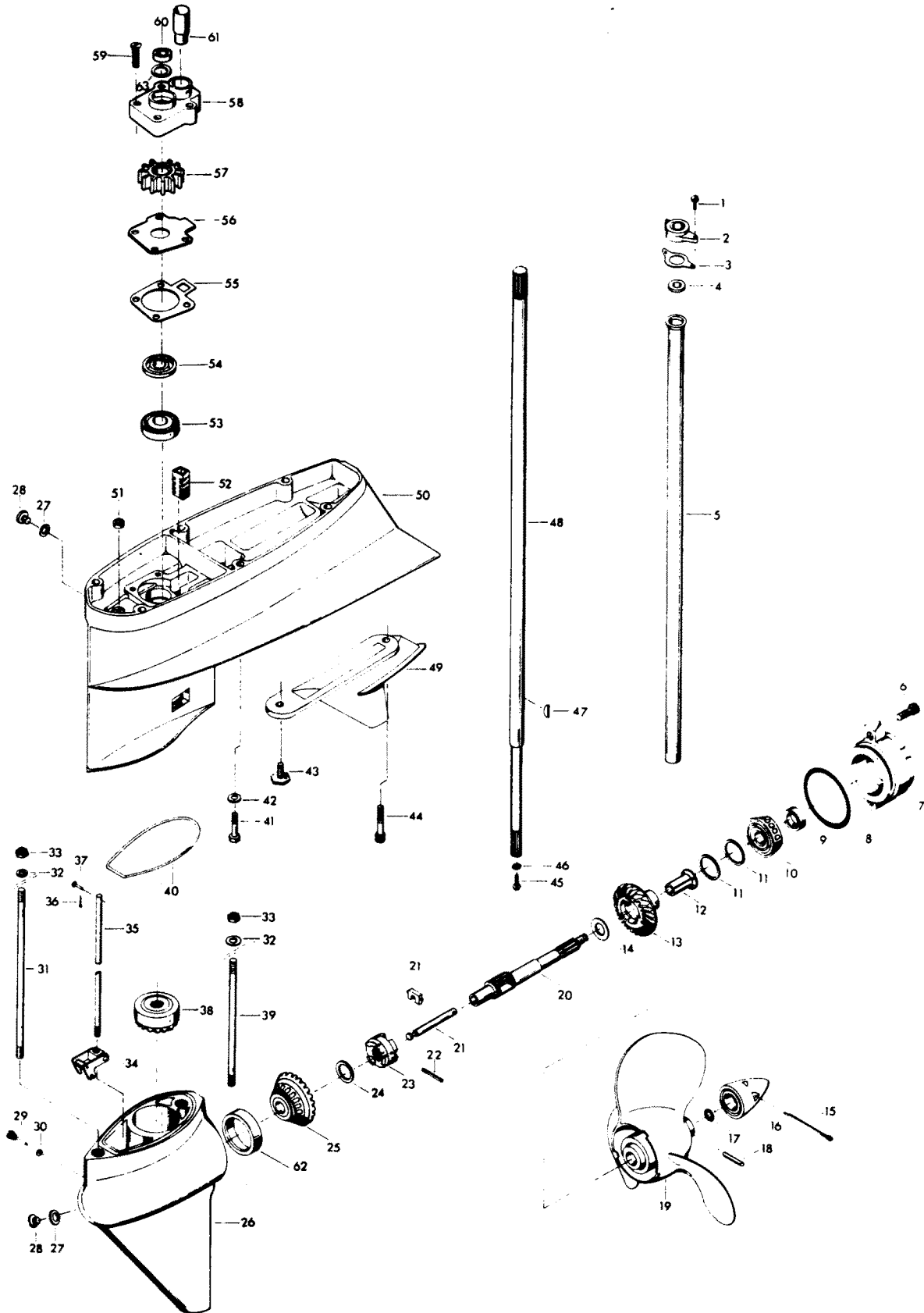


# MOTOR LEG

REF. NO.	PART NO.	SYM.	QTY.	DESCRIPTION
46	F366364		1	ARM, REVERSE LOCK
47	F369884		1	BEARING
48	F1836		1	SPRING PIN
49	F213274		3	GREASE FITTING
51	F366433		1	TILT STOP, STARBOARD
52	F288075		2	CLAMP SCREW HANDLE
53	F1638		2	SPRING PIN
54	F24074		2	CLAMP SCREW FOOT
55	F353480		2	STUD
56	F8537		2	SPRING PIN
57	F463073		2	CLAMP SCREW
58	F286461		1	SPRING, LOCK BAR HANDLE
59	F433114		1	HANDLE, LOCK BAR
60	F1744		1	SPRING PIN
61	FA433113		1	STERN BRACKET LOCK BAR W/HANDLE
62	F366037		1	STERN BRACKET PIVOT BOLT
63	F89011		1	SWIVEL BRACKET WASHER
64	F458498		1	KEY
66	F1892		2	LOCK NUT, 5/16 - 18
67	F1914		6	HEX CAP SCREW, 1/4 - 20 X 3/4
68	F474660		1	LEG EXHAUST TUBE
69	F474867		1	UPPER EXHAUST TUBE GASKET
70	F1689		2	HEX CAP SCREW, 1/4 - 20 X 1/2
71	F474106-1		1	DEFLECTOR, DISCHARGE WATER
72	F1902		2	HEX CAP SCREW, 5/16 - 18 X 3/4
73	F474680		1	SPACER PLATE
74	F474965-1		2	SHOCK MOUNT UPPER
75	F474849		2	WASHER
76	F1581		8	HEX CAP SCREW, 1/4 - 20 X 1 1/4
77	F474946		2	SHOCK MOUNT COVER UPPER
78	F474355		2	WASHER
79	F2068		2	HEX CAP SCREW, 3/8 - 24 X 4
80	F474942		2	BUMPER
81	F474279		1	CYLINDER EXHAUST GASKET
-	<b>F474390-1</b>		<b>1</b>	<b>DECAL, REVERSE LOCK (NOT SHOWN)</b>
3	F474615		0	GEAR SHIFT ROD UPPER
10	F474133		0	MOTOR LEG
50	A474072		0	SWIVEL BRACKET
65	A474019		0	KING PIN ASSEMBLY
3	F475615		0	GEAR SHIFT ROD UPPER
10	F475133		0	MOTOR LEG
50	A475072		0	SWIVEL BRACKET
65	FA475019		0	KING PIN ASSEMBLY

CONTINUED ON NEXT PAGE ➡

# GEAR HOUSING

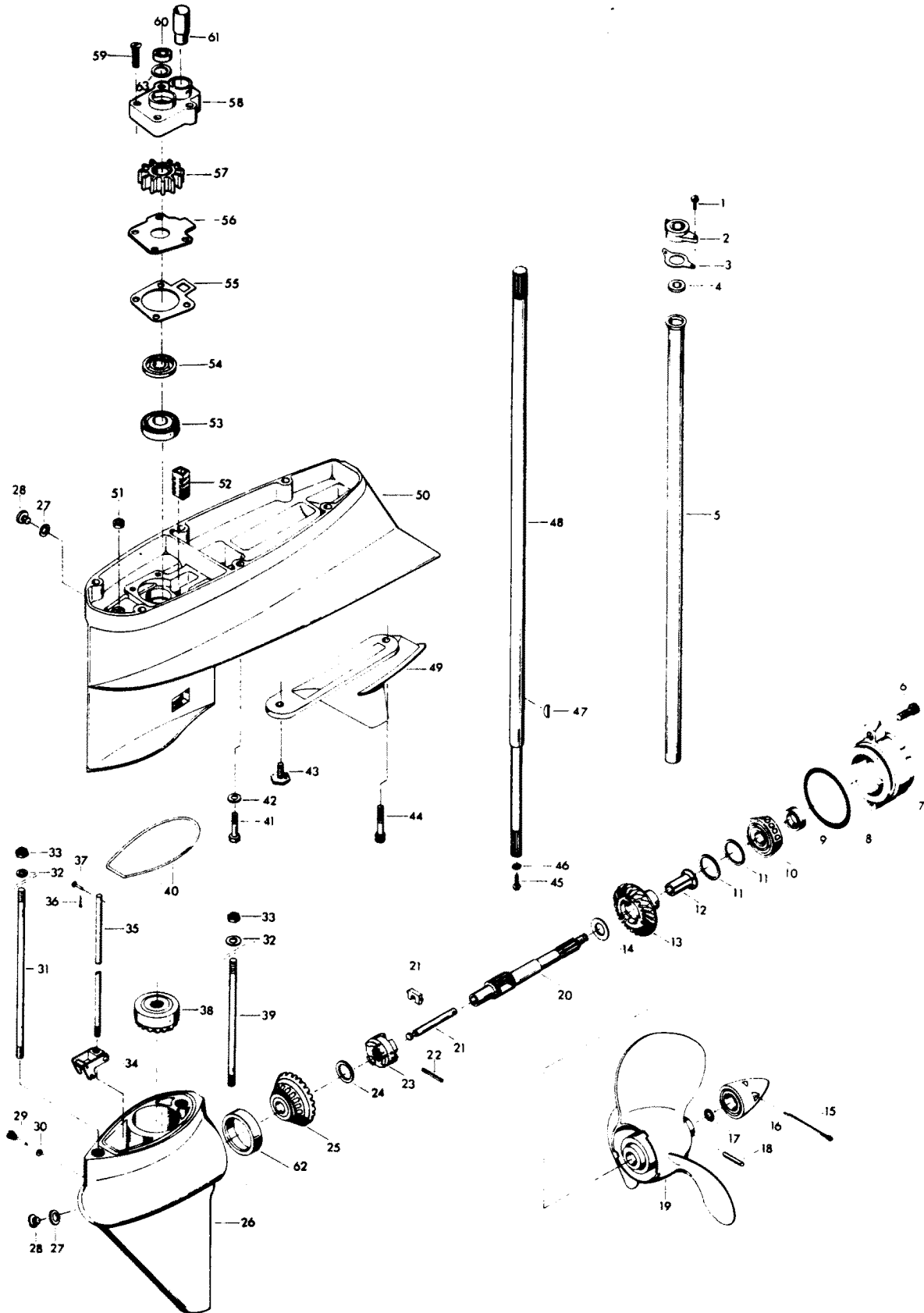


# GEAR HOUSING

REF. NO.	PART NO.	SYM.	QTY.	DESCRIPTION
1	F2074		2	HEX HD SCREW, 10 - 24 X 9/16
2	F474117		1	WATER LINE BRACKET
3	F474830		1	WATER LINE BRACKET GASKET
4	F474342		1	SEAL
6	F1994		2	HEX SOCKET HD CAP SCREW, S.S. 5/16 - 18 X 1
7	F2A474298		1	PROP SHAFT BRG. CAGE W/SEALS & BRG. CUP
8	F141305		1	SEAL, PROPELLER SHAFT BEARING CAGE
9	F141118		1	SEAL, PROPELLER SHAFT
10	F474225		1	BEARING, PROPELLER SHAFT REVERSE THRUST
12	F474143		1	BEARING, BEVEL GEAR REAR
13	F474662		1	BEVEL GEAR REAR
14	F40717		1	THRUST WASHER, BEVEL GEAR
15	F1027		1	COTTER PIN, S.S., 1/8 - 1/2
16	FA94094-2		1	PROPELLER NUT W/SEAL AND COTTER PIN
17	F40342		1	SEAL, PROPELLER NUT
18	FK247		1	PROPELLER PIN, PACK OF 6 W/COTTER PIN
19	FP475		1	PROPELLER, (ACCESSORY ITEM)
20	FA474098		1	PROPELLER SHAFT
21	FA90871-3		1	GEAR SHIFT ARM PIN W/YOKE
22	F2097		1	SPRING PIN
23	F99521-1		1	CLUTCH
25	F2A474023		1	BEVEL GEAR FRONT W/BEARING
26	1600-817819A1		1	GEAR HOUSING LOWER W/PLUG, WASHER AND THRUST BEARING CUP
27	F8077		2	WASHER, GEAR HOUSING PLUG
28	F50109		2	PLUG, GEAR HOUSING
29	F90891		1	GEAR SHIFT ARM PIN
30	F8001		1	NYLTITE WASHER
31	F474006		1	STUD, LONG
32	F8065		2	LOCKWASHER
33	F1346		2	HEX NUT, S.S., 3/8 - 16
34	817796A2		1	GEAR SHIFT ARM
35	F474705		1	GEAR SHIFT ROD LOWER
36	F1015		1	COTTER PIN
37	F85372		1	PIN, GEAR SHIFT ROD LOWER
38	F2A474266		1	BEVEL PINION GEAR W/BEARING AND CUP
39	F40008		1	STUD, SHORT
40	F435555		1	SEAL, GEAR HOUSING
41	F1696		6	HEX CAP SCREW, S.S., 5/16 - 18 X 1 3/4
42	F8096		6	SPRING LOCKWASHER
43	F438930		1	RETAINER, SNOUT
44	F1994		1	HEX SOCKET HD CAP SCREW, 5/16 - 18 X 1
45	F474165-1		1	SCREW, BEVEL PINION RETAINING

CONTINUED ON NEXT PAGE ➡

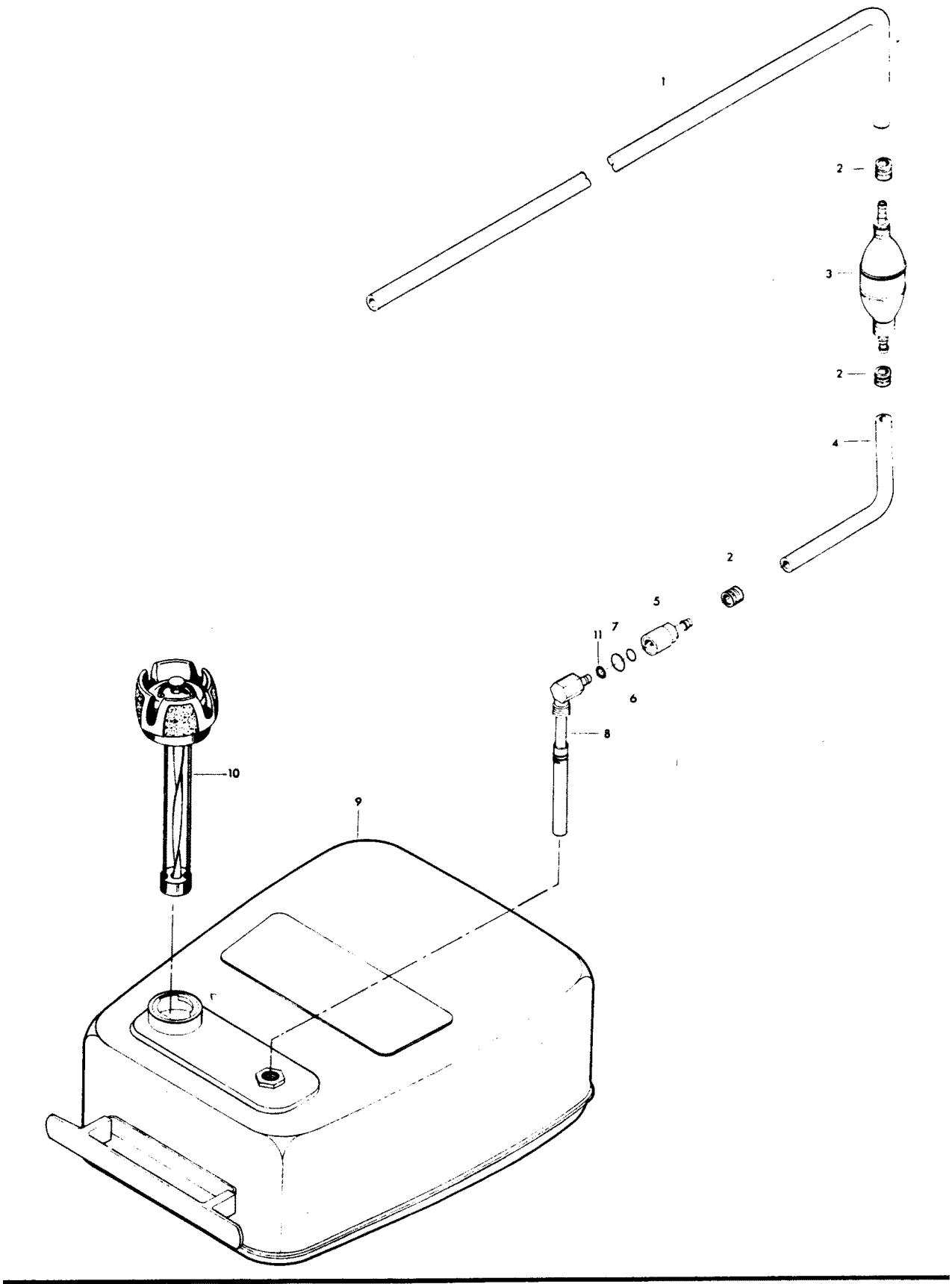
# GEAR HOUSING



# GEAR HOUSING

REF. NO.	PART NO.	SYM.	QTY.	DESCRIPTION
46	F474717		1	WASHER, BEVEL PINION RETAINING
47	F9038		1	WOODRUFF KEY
49	F474116-1		1	SNOUT
50	FA474554		1	GEAR HOUSING UPPER, W/SHIFT ROD SEAL, WASHER AND PLUG
51	F338618-1		1	SEAL, SHIFT ROD LOWER
52	F474077		1	SCREEN, WATER INLET
53	FA474901		1	BEARING, DRIVESHAFT UPPER W/CUP
54	F474307		1	SEAL, DRIVESHAFT
55	F84031		1	WATER PUMP GASKET
56	F369562		1	WATER PUMP BACK PLATE
57	F474065		1	WATER PUMP IMPELLER
58	FA474060		1	WATER PUMP BODY W/DRIVESHAFT SEAL
59	F1584		4	FLAT HD SCREW, S.S., 1/4 - 20 X 1 3/8
60	F474736		1	DRIVESHAFT SEAL
61	FA523735		1	SEAL, INLET WATER LINE LOWER
62	F458250		1	BEARING CUP
63	F474388		1	DISC, WATER PUMP
-	<b>1600-817900A1</b>		<b>1</b>	<b>GEAR HOUSING COMPLETE INCLUDES ALL ITEMS MARKED WITH AN ASTERISK (*). ORIGINAL FORCE P/N C474054-1</b>
5	F474244		0	INLET WATER LINE
48	FA474128		0	DRIVESHAFT W/BEARING, SCREW AND WASHER
5	F475244		0	INLET WATER LINE
48	FA475128		0	DRIVESHAFT W/BEARING, SCREW AND WASHER

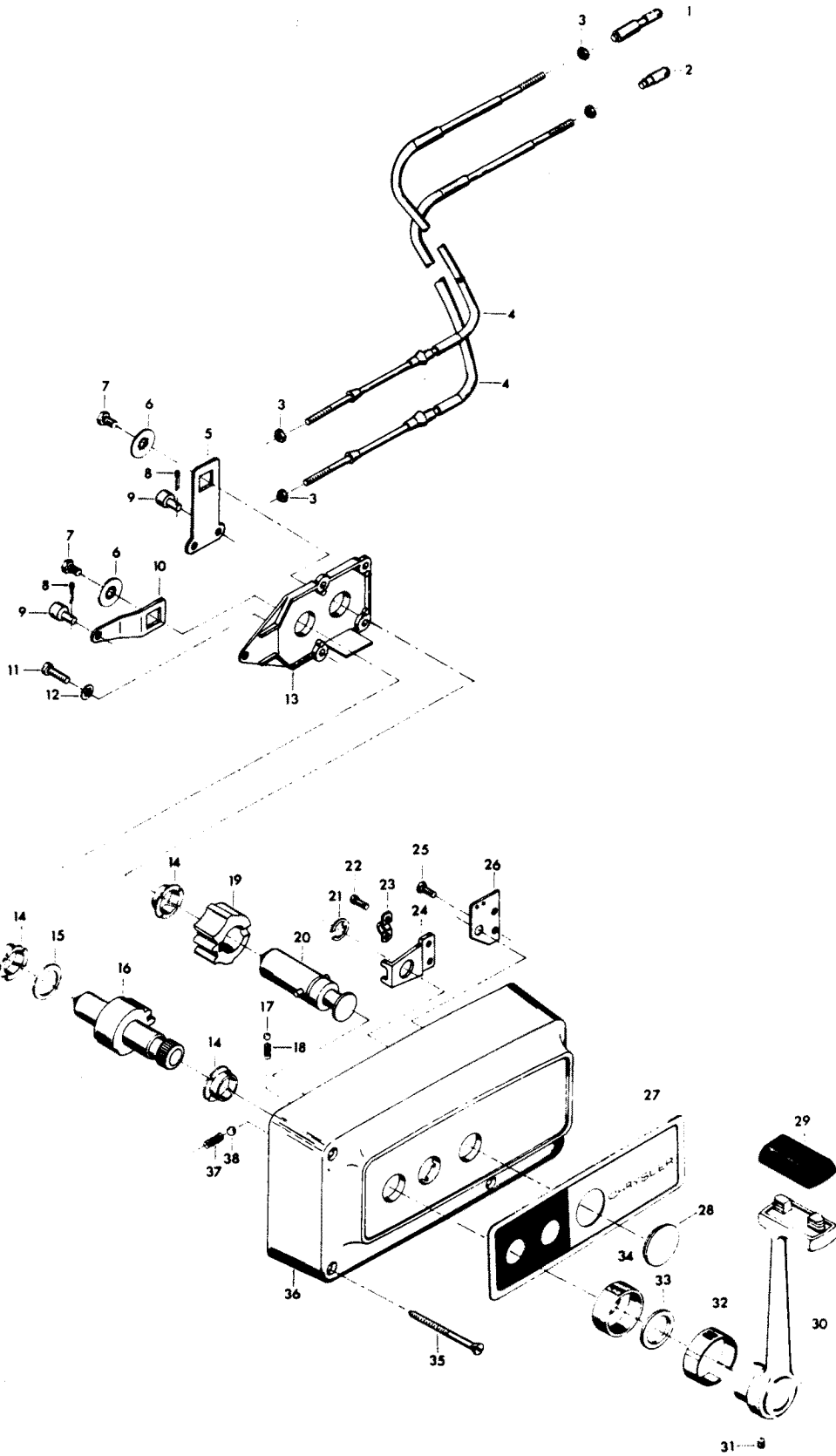
# FUEL TANK AND LINE



## FUEL TANK AND LINE

REF. NO.	PART NO.	SYM.	QTY.	DESCRIPTION
1	32-817738A1		1	FUEL LINE, LONG W/CLAMP AND FERRULE
2	F298788		3	FERRULE
3	89396A38		1	PRIME BULB
4	FA84754-1		1	FUEL LINE SHORT W/FERRULES
5	F197787-2		1	FUEL LINE COUPLER
6	F213735		1	SEAL, FUEL LINE COUPLER (SMALL)
7	F213342		1	SEAL, FUEL LINE COUPLER (LARGE)
8	F485755		1	FUEL TANK ADAPTER
9	F71H08		1	FUEL TANK (ACCESSORY ITEM)
10	F409251-1		1	GAUGE CAP
11	F17932		1	SEAL, FUEL TANK ADAPTER
-	<b>FS409752</b>		<b>1</b>	<b>FUEL LINE, COMPLETE</b>

# REMOTE CONTROL





# REMOTE CONTROL

REF. NO.	PART NO.	SYM.	QTY.	DESCRIPTION
1	FA58976-1		1	CONNECTOR, THROTTLE CABLE
2	F58685-2		1	CONNECTOR, SHIFT CABLE
3	F1513		4	HEX NUT
4	ÄF58356//		2	REMOTE CONTROL CABLE (SPECIFY LENGTH)
5	F17019		1	CLUTCH ARM
6	F17036		2	INTERNAL TOOTH LOCKWASHER
7	F1715		2	HEX BOLT, 1/4 - 28 X 9/16
8	F17015		2	COTTER PIN
9	F17016		2	CABLE TERMINAL
10	F17014		1	THROTTLE ARM
11	F17013		2	FILL HD SCREW, 1/4 - 20 X 1/2
12	F17020		2	INTERNAL TOOTH LOCKWASHER
13	F17012		1	RETAINING PLATE
14	F17009		3	BEARING
15	F17011		1	BOWED WASHER
16	F17010-1		1	THROTTLE GEAR
17	F17111		1	DETENT BALL
18	F17006		1	DETENT SPRING
19	F17021		1	CLUTCH GEAR
20	F17100		1	CLUTCH SHAFT
21	F17092		1	SNAP RING
22	F17107		2	FILL HD SCREW, 10 - 24 X 5/16
23	F154317		1	CABLE CLAMP
24	F17026		1	SWIVEL
25	F1557		2	FLAT HD SCREW, 10 - 24 X 3/8
26	F17112		1	JUNCTION BOARD, STARBOARD
-	<b>F17113</b>		<b>1</b>	<b>JUNCTION BOARD, PORT</b>
27	F17101		1	DECAL, STARBOARD
-	<b>17102</b>		<b>1</b>	<b>DECAL, PORT</b>
28	F17031		1	SNAP CAP
29	F17116		1	KNOB
30	F17115		1	HANDLE
31	F17030-1		1	SET SCREW
32	FK17114-1		1	INDICATOR
33	F17105		1	FELT WASHER
34	F17106		1	COLLAR
35	17108		3	WOOD SCREW
36	F17099		1	HOUSING
37	F17068		1	DETENT SPRING
38	F17082-1		1	DETENT BALL
-	<b>F1280</b>		<b>2</b>	<b>PAN HD SCREW, 8 - 32 X 1/4 (TERMINAL BOARD) (NOT SHOWN)</b>

## SPECIAL TOOLS - TUNE-UP

REF. NO.	PART NO.	SYM.	QTY.	DESCRIPTION
-	FT8948-1		0	FLYWHEEL PULLER TO REMOVE FLYWHEEL
-	FTA2937-1		0	TIMING TOOL TO LOCATE TIMING DECAL
-	FT8978		0	POWER TIMING LIGHT TO TIME ENGINE
-	FT2951		0	CIRCUIT TRACER TO TROUBLE SHOOT ELECTRICAL SYSTEM

## SPECIAL TOOLS - POWERHEAD

REF. NO.	PART NO.	SYM.	QTY.	DESCRIPTION
-	T8984		0	INSTALLER TO INSTALL UPPER AND LOWER CRANKSHAFT SEALS
-	FT8907		0	DRIVER HANDLE TO USE WITH SEAL INSTALLER T8984
-	FT8983		0	SEALANT TO FORM GASKET BETWEEN AIR INTAKE COVER HALVES
-	FT8926		0	RING EXPANDER TO INSTALL RINGS ON PISTONS
-	FT2996		0	RING COMPRESSOR TO INSTALL PISTONS IN CYLINDERS
-	FT8933		0	LIFTING HOOK TO PROVIDE SAFE METHOD OF LIFTING ENGINE
-	FTA8994		0	PISTON PIN TOOL REMOVE AND INSTALL PISTON PINS

# SPECIAL TOOLS - LOWER UNIT

REF. NO.	PART NO.	SYM.	QTY.	DESCRIPTION
-	FT8948-1		0	PROPELLER SHAFT BEARING CAGE PULLER AND FLYWHEEL PULLER TO REMOVE PROPELLER SHAFT BEARING CAGE FROM LOWER GEAR HOUSING
-	FT8901		0	INDICATOR HOLDER TO USE WITH CHECKING GAUGE (T8924-1)
-	FT8902		0	DIAL INDICATOR TO USE WITH CHECKING GAUGE (T8924-1)
-	FT8979		0	WATER PUMP CENTERING TOOL TO CENTER WATER PUMP
-	FT8957		0	SEAL INSTALLER TO INSTALL SHIFT ROD SEAL
-	FT8924-1		0	CHECKING GAUGE TO SHIM LOWER UNIT
-	FT8982		0	SHIM ADAPTER TO USE WITH CHECKING GAUGE (T8924-1)
-	FT8985		0	SEAL INSTALLER TO INSTALL PROPELLER SHAFT SEAL

## SPECIAL TOOLS - TEST EQUIPMENT

REF. NO.	PART NO.	SYM.	QTY.	DESCRIPTION
-	FT8950		0	LEAKAGE TESTER TO TEST LOWER UNIT FOR LEAKS
-	T8974		0	BREAKER POINT TENSION GAUGE FOR CHECKING BREAKER POINT SPRING TENSION
-	FT8986A		0	TEST WHEEL TO TEST MOTOR IN TEST TANK

# ACCESSORIES

REF. NO.	PART NO.	SYM.	QTY.	DESCRIPTION
-			0	CHRYSLER OUTBOARD OIL SEE BLOCK COMMENT 1.
-			0	CHRYSLER OUTBOARD GEAR LUBE SEE BLOCK COMMENT 2.
-	F74H07		0	WATER PUMP KIT HEAVY DUTY WATER PUMP RECOMMENDED FOR CONTINUED OPERATION IN SANDY OR SALT WATER.
-	F70H01		0	ANTI CORROSION KIT ELECTRICAL UNIT USED TO HELP PREVENT CORROSION.
-	F71H02		0	ANTI CORROSION SACRIFICIAL ANODE USED TO HELP PREVENT CORROSION.
-	72H13		0	BATTERY, 74 AMP TWELVE VOLT HEAVY DUTY BATTERY TO OPERATE STARTER AND ELECTRICAL ACCESSORIES
-	172		0	BATTERY CASE HEAVY PLASTIC CASE WITH TIE DOWN STRAPS. PROTECTS BATTERY FROM DAMAGE.
-	F70H05		0	BATTERY EXTENSION CABLE USED TO EXTEND BATTERY CABLE 6 1/2 FEET.
-	F71H26		0	BATTERY TERMINAL KIT ADAPTS MODEL 72H13 BATTERY TERMINALS FOR CONNECTION TO BATTERY CABLES ON ENGINES.
-	74H11		0	FUEL GAUGE FLUSH MONITORS FUEL SUPPLY.
-	74H15		0	FUEL GAUGE SURFACE MOUNT MONITORS FUEL SUPPLY.
-	F71H10		0	SENDING UNIT FOR USE WITH ABOVE FUEL GAUGE.
-	74H14		0	TEMPERATURE GAUGE (SURFACE MOUNT) MONITORS ENGINE TEMPERATURE. DO NOT USE TEMPERATURE GAUGE AND HEAT LAMP IN THE SAME INSTALLATION.
-	F74H10		0	TEMPERATURE GAUGE (FLUSH MOUNT) MONITORS ENGINE TEMPERATURE. DO NOT USE TEMPERATURE GAUGE AND HEAT LAMP IN THE SAME INSTALLATION.
-	72H31		0	FROST WHITE LACQUER ENGINE TOUCH-UP PAINT IN 16 OZ. SPRAY BOMBS (12 CANS PER CASE).
-	72H32		0	GOLD LACQUER ENGINE TOUCH-UP PAINT IN 16 OZ. SPRAY BOMBS (12 CANS PER CASE).
-	72H05		0	CANVAS HOOD PROTECTION FOR ENGINE COVER.
-	F71H08		0	STEEL, 6 GALLON FUEL TANK AUXILIARY TANK.
-	F71H12		0	FUEL TANK ANCHOR SECURES 71H08 TO DECK.
-	F71H23		0	STEEL, 12 GALLON FUEL TANK AUXILIARY TANK.
-	479		0	HEAT LAMP KIT FOR ELECTRIC START MODELS. WARNS OF ENGINE OVERHEATING
-	F74H19		0	IGNITION KEY SWITCH FOR ELECTRIC START MODELS (SHORT BARREL)
-	F74H20		0	IGNITION KEY SWITCH FOR ELECTRIC START MODELS (LONG BARREL)
-	70H24		0	RACING STRIPE KIT ORANGE STRIPING FOR ENGINE COVER.
-	70H25		0	RACING STRIPE KIT BLUE STRIPING FOR ENGINE COVER.

CONTINUED ON NEXT PAGE ➡

# ACCESSORIES

REF. NO.	PART NO.	SYM.	QTY.	DESCRIPTION
-	F195/___		0	REMOTE CONTROL CABLES CONNECTS REMOTE CONTROL BOX TO THROTTLE AND GEAR SHIFT ON MOTOR. AVAILABLE IN 6 THROUGH 30 FOOT LENGTHS (IN 1 FOOT INCREMENTS) (30 THROUGH 40 FOOT IN 2 FOOT INCREMENTS.)
-	F72H36		0	REMOTE CONTROL SURFACE MOUNT (SINGLE LEVER) PERMITS REMOTE CONTROL OF THROTTLE AND GEAR SHIFT FROM STARBOARD SIDE OF BOAT.
-	73H08		0	PORT SIDE DECAL KIT CONVERTS 72H36 CONTROL BOX TO PORT SIDE MOUNTING.
-	F590		0	REMOTE CONTROL FLUSH MOUNT (SINGLE LEVER) PERMITS REMOTE CONTROL OF THROTTLE AND GEAR SHIFT. MAY BE MOUNTED ON PORT OR STARBOARD SIDE OF BOAT.)
-	865		0	REMOTE CONTROL SURFACE MOUNT (SINGLE LEVER) PERMITS REMOTE CONTROL OF THROTTLE AND GEAR SHIFT ON TWIN ENGINE INSTALLATION. MAY BE MOUNTED ON PORT OR STARBOARD SIDE OF BOAT.
-	F165		0	REMOTE STEERING BRACKET ADAPT MOTOR TO CABLE TYPE REMOTE STEERING.
-	F74H21		0	REMOTE STEERING CONNECTOR CONNECTS ENGINE TO MECHANICAL STEERING CABLE.
-	176		0	SPEEDOMETER SURFACE MOUNT 0 TO 50 M.P.H.
-	F71H04		0	SPEEDOMETER FLUSH MOUNT 0 TO 50 M.P.H.
-	74H13		0	TACHOMETER (SURFACE MOUNT) MONITORS ENGINE R.P.M. TO PROVIDE CHECK OF ENGINE PERFORMANCE.
-	F74H09		0	TACHOMETER (FLUSH MOUNT) MONITORS ENGINE R.P.M. TO PROVIDE CHECK OF ENGINE PERFORMANCE.
-	F74H04		0	POWER TRIM ADJUSTS ENGINE TRIM AND TILTS ENGINE.
-	F74H12		0	POWER TRIM INDICATOR (FLUSH MOUNT) INDICATES ENGINE TRIM ANGLE.
-	74H16		0	POWER TRIM INDICATOR (FLUSH MOUNT) INDICATES ENGINE TRIM ANGLE.

# SPECIFICATIONS

REF. NO.	PART NO.	SYM.	QTY.	DESCRIPTION
-			0	HORSEPOWER 55 B.I.A. CERTIFIED BRAKE H.P. AT 5250 R.P.M.
-			0	MOTOR TWO-CYCLE, TWIN CYLINDER ALTERNATE FIRING.
-			0	BORE AND STROKE 3 3/8" BORE X 2.80" STROKE.
-			0	DISPLACEMENT 49.9 CUBIC INCHES.
-			0	CONNECTING RODS FORGED NICKEL STEEL. CAGED ROLLER BEARINGS AT CRANKSHAFT.
-			0	CRANKSHAFT FORGED NICKEL STEEL. BALL BEARINGS AT LOWER MAIN. CAGED ROLLER BEARINGS AT CENTER AND UPPER MAINS.
-			0	CORROSION PROTECTION ALODINE TREATED CASTINGS, STAINLESS STEEL DRIVE SHAFT, PROPELLER SHAFT, GEAR SHIFT ROD AND UNDERWATER FASTENERS.
-			0	FUEL TANK SEPARATE STEEL TANK, 6 U.S. GALLON, 5 IMPERIAL GALLON CAPACITY.
-			0	FUEL SYSTEM VACUUM-TYPE FUEL PUMP, FLOAT FEED CARBURETOR WITH FIXED HIGH SPEED JET AND ADJUSTABLE LOW SPEED JET.
-			0	FUEL FILTERS FILTER SCREENS IN FUEL TANK AND FUEL PUMP.
-			0	COOLING WATER COOLED, POSITIVE DISPLACEMENT TYPE WATER PUMP.
-			0	TRANSOM HEIGHT 15" OR 20" DEPENDING ON MODEL.
-			0	WEIGHT FROM 179 POUNDS FOR STANDARD SHAFT MODELS.
-			0	TILT LOCK POSITIVE TILT LOCK PERMITS ENGINE TO REMAIN IN TILTED POSITION WHEN NOT IN USE.
-			0	RECOMMENDED OPERATING RANGE 5000 - 5500 R.P.M.



# LUBRICATION CHART

REF. NO.	PART NO.	SYM.	QTY.	DESCRIPTION
-			0	UPPER AND LOWER GEAR HOUSING SEE BLOCK COMMENT 1.
-			0	CONTROL LINKAGE LUBRICATE ALL MOVING PARTS AND CONTROL LINKAGE WITH RYKON #2EP, PART NO. T - 2961, TWICE EACH SEASON OR OFTENER IF REQUIRED.
-			0	STERN BRACKET LUBRICATE STERN BRACKET AND ASSOCIATED PARTS WITH RYKON #2EP, PART NO. T - 2961, TWICE EACH SEASON OR OFTENER IF REQUIRED.
-			0	STARTER PINION GEAR LUBRICATE WITH RYKON #2EP PART NO. T - 2961, TWICE EACH SEASON OR OFTENER IF REQUIRED.

# SPECIAL ADJUSTMENTS

REF. NO.	PART NO.	SYM.	QTY.	DESCRIPTION
-			0	SPARK PLUG CHAMPION UL18V.
-			0	SPARK PLUG CHAMPION QUL-77V FOR MODELS 558BH, 559BH
-			0	FLYWHEEL NUT TORQUE TO 90 FOOT POUNDS
-			0	CYLINDER HEAD BOLT TORQUE TO 225 INCH POUNDS
-			0	POINT OF THROTTLE OPENING 1. UNSNAP BALL JOINT CONNECTOR FROM THROTTLE TOWER SHAFT.
-			0	POINT OF THROTTLE OPENING 2. WITH THROTTLE SHUTTER IN CARBURETOR CLOSED, ADJUST ECCENTRIC SCREW HOLDING THROTTLE ROLLER TO THROTTLE SHAFT SO THAT PICK-UP LINE ON LOWER END OF THROTTLE CAM IS EXACTLY CENTERED ON THROTTLE ROLLER.
-			0	POINT OF THROTTLE OPENING 3. ADVANCE THROTTLE TOWER SHAFT AND THROTTLE CAM TO FULL ADVANCE POSITION. (THROTTLE SHUTTER HORIZONTAL.)
-			0	POINT OF THROTTLE OPENING 4. ADJUST BALL JOINT CONNECTORS UNTIL SPACING IS IDENTICAL TO SPACING BETWEEN CONNECTOR STUD ON THROTTLE CAM AND THROTTLE TOWER SHAFT.
-			0	POINT OF THROTTLE OPENING

# PARTS INDEX

Part Number	Description	Pg.	Ref. No.	Part Number	Description	Pg.	Ref. No.
ÄF58356//	REMOTE CONTROL CABLE (SPECIFY LENGTH) . . . . .	39	4	F12352-1	TRIGGER COIL . . . . .	9	46
17102	DECAL, PORT . . . . .	39	-	F12353	CLIP . . . . .	9	48
17108	WOOD SCREW . . . . .	39	35	F12354	SPIDER . . . . .	9	50
172	BATTERY CASE . . . . .	44	-	F1236	HEX CAP SCREW, 1/4 - 20 X 1/2 . . . . .	15	6
176	SPEEDOMETER . . . . .	45	-	F1238	HEX CAP SCREW, 1/4 - 20 X 3/4 . . . . .	21	23
474373	DECAL, MAGNAPOWER II . . . . .	25	66	F1238	HEX CAP SCREW, 1/4 - 20 X 3/4 . . . . .	21	9
474374	DECAL, IGNITION (NOT SHOWN) . . . . .	27	-	F1238	HEX CAP SCREW, 1/4 - 20 X 3/4 . . . . .	25	61
479	HEAT LAMP KIT . . . . .	44	-	F1257	HEX SOCKET HD CAP SCREW, S.S., 5/16 - 18 X 1 1/4 . . . . .	29	14
70H24	RACING STRIPE KIT . . . . .	44	-	F1280	PAN HD SCREW, 8 - 32 X 1/4 (TERMINAL BOARD) (NOT SHOWN) . . . . .	39	-
70H25	RACING STRIPE KIT . . . . .	44	-	F1280	SLOTTED PAN HD SCREW, 8 - 32 X 1/4, IGNITION SWITCH . . . . .	9	59
72H05	CANVAS HOOD . . . . .	44	-	F1293	DRIVE SCREW, 2 X 3/16 . . . . .	5	46
72H13	BATTERY, 74 AMP . . . . .	44	-	F1298	ROUND HD SCREW W/LOCKWASHER, 6 - 32 X 1/4 . . . . .	15	19
72H31	FROST WHITE LACQUER . . . . .	44	-	F1306	SLOTTED ROUND HD SCREW, 10 - 24 X 3/8 . . . . .	11	21
72H32	GOLD LACQUER . . . . .	44	-	F1341	HEX NUT, 1/4 - 20 . . . . .	23	32
73H08	PORT SIDE DECAL KIT . . . . .	45	-	F1341	HEX NUT, 1/4 - 20 . . . . .	29	2
74H11	FUEL GAUGE FLUSH . . . . .	44	-	F1346	HEX NUT, 3/8 - 16 . . . . .	29	25
74H13	TACHOMETER (SURFACE MOUNT) . . . . .	45	-	F1346	HEX NUT, S.S., 3/8 - 16 . . . . .	33	33
74H14	TEMPERATURE GAUGE (SURFACE MOUNT) . . . . .	44	-	F141118	SEAL, PROPELLER SHAFT . . . . .	33	9
74H15	FUEL GAUGE SURFACE MOUNT . . . . .	44	-	F141305	SEAL, PROPELLER SHAFT BEARING CAGE . . . . .	33	8
74H16	POWER TRIM INDICATOR (FLUSH MOUNT) . . . . .	45	-	F1473	HEX NUT, 10 - 24 . . . . .	25	51
817747--1	BALL JOINT W/BEARING . . . . .	23	28	F1475	SLOTTED FILL HD SCREW, 10 - 24 X 1/2 . . . . .	23	2
817796A2	GEAR SHIFT ARM . . . . .	33	34	F1502	HEX CAP SCREW, 1/4 - 20 X 5/8 . . . . .	23	22
865	REMOTE CONTROL SURFACE MOUNT (SINGLE LEVER) . . . . .	45	-	F15034	SPRING SET . . . . .	19	18
89396A38	PRIME BULB . . . . .	37	3	F1504	FILL HD SCREW, 1/4 - 20 X 1 1/4 . . . . .	11	17
A465528-1	INSERT, TRIM REAR . . . . .	3	6	F15057	BRUSH PLATE AND HOLDER . . . . .	19	19
A474010-1	CYLINDER W/CRANKCASE COVER, STUDS, SCREWS AND DOWEL PINS . . . . .	23	11	F15099	ARMATURE . . . . .	19	8
A474019	KING PIN ASSEMBLY . . . . .	31	65	F15100	BENDIX DRIVE . . . . .	19	1
A474072	SWIVEL BRACKET . . . . .	31	50	F15119	FRAME AND FIELD ASSEMBLY . . . . .	19	9
A475072	SWIVEL BRACKET . . . . .	31	50	F15120	HEAD ASSEMBLY, DRIVE END . . . . .	19	6
AC16395-7	IDENT. PLATE W/SCREWS, (CANADA) . . . . .	5	-	F15123	THRU BOLT PACKAGE . . . . .	19	14
C474010-1	SHORT BLOCK (NOT SHOWN) . . . . .	27	-	F15125	HEAD ASSEMBLY, COMMUTATOR END . . . . .	19	17
F10000	GASKET SET (NOT SHOWN) . . . . .	13	-	F15126	THRUST WASHER PACKAGE . . . . .	19	7
F10053	REPAIR PARTS KIT . . . . .	13	-	F1513	HEX NUT . . . . .	39	3
F1014	COTTER PIN . . . . .	11	2	F1513	HEX NUT, 10 - 32 . . . . .	7	10
F1014	COTTER PIN . . . . .	29	45	F1513	HEX NUT, 10 - 32 . . . . .	23	29
F1015	COTTER PIN . . . . .	33	36	F1515	HEX NUT, 5/16 - 18 . . . . .	11	34
F1017	COTTER PIN . . . . .	23	3	F1515	HEX NUT, 5/16 - 18 . . . . .	15	4
F1027	COTTER PIN, S.S., 1/8 - 1/2 . . . . .	33	15	F1515	HEX NUT, S.S., 5/16 - 18 . . . . .	7	26
F1036	SLOTTED FILL HD M. SCREW W/SPRING LOCKWASHER, 6 - 32 X 1/4 . . . . .	9	47				
F1052	FILL HD M. SCREW, 1/4 - 20 X 1 . . . . .	23	39				
F1059	FILL HD SCREW, 6 - 32 X 1/4 . . . . .	11	6				
F1064	SLOTTED HD SCREW, 8 - 32 X 3/8 . . . . .	11	26				

# PARTS INDEX

Part Number	Description	Pg.	Ref. No.	Part Number	Description	Pg.	Ref. No.
F15165	BRUSH AND TERMINAL SET	19	11	F17082-1	DETENT BALL	39	38
F154317	CABLE CLAMP	23	19	F17092	SNAP RING	39	21
F154317	CABLE CLAMP	39	23	F17099	HOUSING	39	36
F1557	FLAT HD SCREW, 10 - 24 X 3/8	39	25	F17100	CLUTCH SHAFT	39	20
F1581	HEX CAP SCREW, 1/4 - 20 X 1 1/4	27	85	F17101	DECAL, STARBOARD	39	27
F1581	HEX CAP SCREW, 1/4 - 20 X 1 1/4	31	76	F17105	FELT WASHER	39	33
F1584	FLAT HD SCREW, S.S., 1/4 - 20 X 1 3/8	35	59	F17106	COLLAR	39	34
F1593	HEX HD SCREW, S.S., 3/8 - 16 X 3	29	23	F17107	FILL HD SCREW, 10 - 24 X 5/16	39	22
F1638	SPRING PIN	31	53	F17111	DETENT BALL	39	17
F1645	RD HD SCREW, 6 - 32 X 1 1/4	7	5	F17112	JUNCTION BOARD, STARBOARD	39	26
F1647	HEX NUT, 8 - 32	7	17	F17113	JUNCTION BOARD, PORT	39	-
F1648	PAN HD SCREW, 10 - 24 X 3/4	7	14	F17115	HANDLE	39	30
F165	REMOTE STEERING BRACKET	45	-	F17116	KNOB	39	29
F1656	PLAIN WASHER	29	22	F1715	HEX BOLT, 1/4 - 28 X 9/16	39	7
F1666	BOWED SPRING WASHER	29	29	F1727	PLASTIC RIVET	25	45
F1669	LOCK NUT	29	37	F1728	PAN HD SCREW, 10 - 3/8	3	4
F1689	HEX CAP SCREW, 1/4 - 20 X 1/2	3	27	F1733	PAN HD SCREW, 10 - 24 X 9/16	3	33
F1689	HEX CAP SCREW, 1/4 - 20 X 1/2	3	39	F1733	PAN HD SCREW, 10 - 24 X 9/16	29	42
F1689	HEX CAP SCREW, 1/4 - 20 X 1/2	31	70	F1733	SLOTTED PAN HD SCREW, 10 - 24 X 9/16	7	7
F1693	TIE BAR RETAINER	11	25	F1734	SLOTTED FILL HD SCREW & LOCKWASHER, 1/4 - 20 X 1/2	27	89
F1696	HEX CAP SCREW, S.S., 5/16 - 18 X 1 3/4	33	41	F1734	SLOTTED FILL HD SCREW W/LOCKWASHER, 1/4 - 20 X 1/2	9	44
F17006	DETENT SPRING	39	18	F1741	PAN HD SCREW, 8 X 3/4	7	35
F17009	BEARING	39	14	F1744	SPRING PIN	31	60
F17010-1	THROTTLE GEAR	39	16	F1753	FASTENER	5	51
F17011	BOWED WASHER	39	15	F177330	FUEL PUMP VALVE	17	6
F17012	RETAINING PLATE	39	13	F17932	SEAL, FUEL TANK ADAPTER	37	11
F17013	FILL HD SCREW, 1/4 - 20 X 1/2	39	11	F1804	STOP NUT, 10 - 22	9	56
F17014	THROTTLE ARM	39	10	F1820	FILL HD SCREW, 1/4 - 20 X 1 3/8	11	15
F17015	COTTER PIN	39	8	F1822	HEX CAP SCREW, 5/16 - 18 X 7/8	19	10
F17016	CABLE TERMINAL	39	9	F1829	SLOTTED FILL HD SCREW, 10 - 24 X 7/8	23	18
F17019	CLUTCH ARM	39	5	F1833	HEX CAP SCREW, 1/4 - 20 X 1	25	84
F17020	INTERNAL TOOTH LOCKWASHER	39	12	F1836	SPRING PIN	31	48
F17021	CLUTCH GEAR	39	19	F183818	BEARING, GEAR SHIFT COUPLER	23	7
F17026	SWIVEL	39	24	F184033-1	SWIVEL, CHOKE ROD FOR BOTTOM CARB. (NOT SHOWN)	11	-
F17030-1	SET SCREW	39	31	F1845	TY-RAP, REGULATOR TO POWER PACK LEADS	7	38
F17031	SNAP CAP	39	28	F184579	SEAL, CHOKE ARM SWIVEL	11	4
F17036	INTERNAL TOOTH LOCKWASHER	39	6	F1854	HEX CAP SCREW, 1/4 - 20 X 5/8	3	8
F1704	INTERNAL TOOTH LOCKWASHER	7	4	F1857	HEX CAP SCREW, 5/16 - 18 X 5/8	7	30
F1705	HEX CAP SCREW, 1/4 - 20 X 3/4	7	28	F1860	SLOTTED HD M. SCREW, 6 - 32 X 1/4	17	5
F1705	HEX CAP SCREW, 1/4 - 20 X 3/4	29	7				
F17068	DETENT SPRING	39	37				

# PARTS INDEX

Part Number	Description	Pg.	Ref. No.	Part Number	Description	Pg.	Ref. No.
F1873	HEX CAP SCREW, 3/8 - 16 X 3	23	13	F2067	PLASTISOL CAP (NOT SHOWN)	21	-
F1889	FILL HD SCREW, 1/4 - 20 X 1 1/4	17	9	F2068	HEX CAP SCREW, 3/8 - 24 X 4	31	79
F1891	HEX HD M. SCREW, 1/4 - 20 X 1 1/2	7	18	F2069	HEX CAP SCREW, 7/16 - 14 X 4	29	12
F1892	LOCK NUT, 5/16 - 18	31	66	F2071	HEX CAP SCREW, 5/16 - 18 X 1 3/8	23	26
F1902	HEX CAP SCREW, 5/16 - 18 X 3/4	25	74	F2072	OVAL COUNTERSUNK HD M. SCREW, 10 - 24 X 3/8	3	22
F1902	HEX CAP SCREW, 5/16 - 18 X 3/4	31	72	F2074	HEX HD SCREW, 10 - 24 X 9/16	33	1
F1904	PLAIN WASHER	29	24	F2075	SLOTTED HD SCREW, S.S., 1/4 - 20 X 2 1/2	3	29
F1910	ELASTIC STOP NUT, 1/4 - 20	23	40	F2076	HEX CAP SCREW, 5/16 - 18 X 1 1/8	25	73
F19109	PLUG, CYLINDER HEAD	25	77	F2077	SLOTTED PAN HD M. SCREW, 10 - 32 X 1/4	7	39
F191169-1	SWIVEL BRACKET BEARING	29	36	F2097	SPRING PIN	33	22
F1913	HEX CAP SCREW, 10 - 24 X 5/8	25	79	F2106	INTERNAL TOOTH LOCKWASHER	9	65
F1914	HEX CAP SCREW, 1/4 - 20 X 3/4	31	67	F213274	GREASE FITTING	31	49
F1914	HEX HD SCREW, 1/4 - 20 X 3/4	23	14	F213342	SEAL, FUEL LINE COUPLER (LARGE)	37	7
F1915	HEX HD M. SCREW, 1/4 - 20 X 7/8	15	10	F213735	SEAL, FUEL LINE COUPLER (SMALL)	37	6
F1916	HEX HD M. SCREW, 1/4 - 20 X 1 1/8	15	3	F24074	CLAMP SCREW FOOT	31	54
F1934	FLAT HD SCREW, 6 X 1/2	9	64	F24623-1	GROMMET	7	23
F195/	REMOTE CONTROL CABLES	45	-	F269052	BEARING, LATCH CAM	3	35
F1968	HEX NUT, 3/4 - 16	9	58	F269052	SHIFT ARM BEARING	23	36
F1975	LOCKWASHER	7	11	F269122-1	CRANKCASE PARTING LINE SEAL	23	12
F197787-2	FUEL LINE COUPLER	37	5	F269319	THROTTLE CAM BEARING	23	41
F1979	PAN HD SCREW, 10 - 24 X 1/2	3	12	F269929	SPACER, TILT STOP	29	28
F1987	PLAIN WASHER	25	60	F286461	SPRING, LOCK BAR HANDLE	31	58
F1993	HEX SLOTTED HD M. SCREW, 1/4 - 20 X 5/8	3	19	F288075	CLAMP SCREW HANDLE	31	52
F1994	HEX SOCKET HD CAP SCREW, 5/16 - 18 X 1	33	44	F289446-1	CLAMP	27	88
F1994	HEX SOCKET HD CAP SCREW, S.S. 5/16 - 18 X 1	33	6	F298788	FERRULE	37	2
F1995	FILL HD SCREW, 10 - 24 X 1	25	47	F2A321158	REED PLATE W/REEDS, STOPS AND SCREWS	15	15
F1997	LOCK NUT, 8 - 32	13	50	F2A474023	BEVEL GEAR FRONT W/BEARING	33	25
F2002	LOCK NUT	25	56	F2A474144	BEARING CAGE W/CRANKSHAFT SEAL	7	42
F2012	PLAIN WASHER	7	19	F2A474144	CRANKSHAFT UPPER BEARING CAGE W/SEAL	21	22
F2016	SLOTTED FILL HD SCREW, 6 - 32 X 7/8	7	1	F2A474266	BEVEL PINION GEAR W/BEARING AND CUP	33	38
F2017	PAN HD SCREW W/PLAIN WASHER, 10 - 24 X 3/8	3	23	F2A474298	PROP SHAFT BRG. CAGE W/SEALS & BRG. CUP	33	7
F2025	PAN HD SCREW, 10 X 5/8	3	3	F307317	CLIP, TERMINAL BLOCK GROUND	7	13
F203276	BOOT, COIL	9	61	F307908	STARTER WIRE	19	12
F2033	GROOVE PIN	11	8	F310189	BUSHING, ELECTRIC CABLE ENTRY	3	32
F203673	CLIP	9	62	F311189-1	BUSHING, CABLE ENTRY	5	44
F2042	PLAIN WASHER	9	66	F316579	SEAL, CRANKCASE	21	20
F2045	RETAINING RING	21	17	F333316	THROTTLE ROLLER SHAFT	13	48
F2049	HEX CAP SCREW, 5/16 - 18 X 2 5/8	25	59	F335160	REED (4 PETAL)	15	16
F2050	HEX CAP SCREW, 1/4 - 20 X 1/2	9	49				
F2051	HEX CAP SCREW, 1/4 - 20 X 2 1/4	25	67				
F2065	HEX NUT, 7/16 - 14	29	19				

# PARTS INDEX

Part Number	Description	Pg.	Ref. No.	Part Number	Description	Pg.	Ref. No.
F335164	REED (1 PETAL) . . . . .	15	17	F458498	KEY . . . . .	31	64
F335215	SPACER (2 PER PISTON) . .	21	1	F458887	FASTENER, SUPPORT PLATE MOUNT . . . . .	23	23
F335217-1	BEARING . . . . .	21	3	F460917	STARTER RELAY . . . . .	7	29
F338618-1	SEAL, SHIFT ROD LOWER . .	35	51	F463073	CLAMP SCREW . . . . .	31	57
F345908	GROUND WIRE, COIL . . . . .	7	20	F463366	NAME PLATE, "CHRYSLER"	3	16
F353480	STUD . . . . .	31	55	F463711-1	FRONT PLATE . . . . .	5	49
F366037	STERN BRACKET PIVOT BOLT . . . . .	31	62	F463864	RETAINER, TILT HANDLE . .	3	5
F366286	STERN BRACKET FRICTION WASHER . . . . .	29	27	F474006	STUD, LONG . . . . .	33	31
F366300	REVERSE LOCK SPRING . .	29	39	F474013	CRANKSHAFT UPPER MAIN BEARING . . . . .	21	19
F366349	REVERSE LOCK . . . . .	29	38	F474015-3	PISTON . . . . .	21	4
F366350	TILT STOP PIVOT . . . . .	29	30	F474065	WATER PUMP IMPELLER . .	35	57
F366364	ARM, REVERSE LOCK . . . .	31	46	F474066	THERMOSTAT COVER . . . .	25	68
F366392	SIDE PLATE . . . . .	3	15	F474067	THERMOSTAT COVER GASKET . . . . .	25	69
F366426	TILT STOP, PORT . . . . .	29	31	F474077	SCREEN, WATER INLET . . .	35	52
F366433	TILT STOP, STARBOARD . .	31	51	F474106-1	DEFLECTOR, DISCHARGE WATER . . . . .	31	71
F366884	BEARING . . . . .	29	43	F474116-1	SNOUT . . . . .	35	49
F366886	PIN . . . . .	29	32	F474117	WATER LINE BRACKET . . .	33	2
F369562	WATER PUMP BACK PLATE	35	56	F474133	MOTOR LEG . . . . .	31	10
F369884	BEARING . . . . .	31	47	F474143	BEARING, BEVEL GEAR REAR . . . . .	33	12
F381896-4	BATTERY CABLE . . . . .	7	32	F474146	SEAL, CRANKSHAFT . . . . .	21	6
F390689	BEARING, LATCH SHAFT . .	3	31	F474151	EXHAUST PORT PLATE . . .	25	83
F391926-1	PLUNGER, CHOKE SOLENOID . . . . .	11	9	F474152	EXHAUST PORT COVER . . .	27	86
F3A474018	CRANKSHAFT W/LOWER MAIN BEARING AND RETAINING RING . . . . .	21	25	F474154	EXHAUST PORT PLATE GASKET . . . . .	25	82
F40008	STUD, SHORT . . . . .	33	39	F474156	COVER, SUPPORT PLATE REAR . . . . .	3	20
F40209	CARBURETOR STUD . . . . .	15	5	F474162	REED PLATE ADAPTER . . .	15	13
F40342	SEAL, PROPELLER NUT . . .	33	17	F474163	COVER, SUPPORT PLATE FRONT . . . . .	5	42
F404449	THERMOSWITCH . . . . .	7	15	F474165-1	SCREW, BEVEL PINION RETAINING . . . . .	33	45
F404449	THERMOSWITCH . . . . .	25	58	F474167	CARBURETOR ADAPTER . .	15	11
F404841	CABLE . . . . .	7	31	F474168	CARBURETOR ADAPTER GASKET . . . . .	15	12
F406754-1	DRAIN HOSE . . . . .	15	1	F474178	RETAINER, TIMING RING . .	9	55
F40717	THRUST WASHER, BEVEL GEAR . . . . .	33	14	F474192	THROTTLE CAM . . . . .	23	42
F40906-1	CARBURETOR GASKET . . .	13	53	F474193	THROTTLE LINK . . . . .	23	30
F409251-1	GAUGE CAP . . . . .	37	10	F474210	STUD, CYLINDER . . . . .	25	55
F433114	HANDLE, LOCK BAR . . . . .	31	59	F474211	STUD, CYLINDER . . . . .	25	54
F433180-1	REAR TRIM . . . . .	3	7	F474225	BEARING, PROPELLER SHAFT REVERSE THRUST	33	10
F433209	STUD . . . . .	15	8	F474244	INLET WATER LINE . . . . .	35	5
F433209	STUD, THROTTLE CAM . . . .	25	43	F474253	FUEL LINE . . . . .	11	13
F433689	TOWERSHAFT BEARING . . .	25	48	F474269	TILT HANDLE . . . . .	3	2
F435555	SEAL, GEAR HOUSING . . . .	33	40	F474273	COUPLING, GEAR SHIFT ROD . . . . .	29	4
F435634	CONNECTING ROD SCREW	21	18	F474278	SEAL . . . . .	21	10
F438066	COVER, BY-PASS VALVE . .	25	80	F474279	CYLINDER EXHAUST GASKET . . . . .	31	81
F438165	SCREW, FUEL BOWL . . . . .	17	14	F474307	SEAL, DRIVESHAFT . . . . .	35	54
F438500	FUEL SEDIMENT BOWL . . .	17	13	F474315	PACKING, SUPPORT PLATE LOWER . . . . .	3	34
F438617	FUEL SEDIMENT BOWL GASKET . . . . .	17	11	F474342	SEAL . . . . .	33	4
F438653	FUEL PUMP SCREEN . . . . .	17	12	F474346-2	SHOCK MOUNT LOWER . . .	29	17
F438747	FUEL PUMP DIAPHRAGM . .	17	4	F474355	WASHER . . . . .	31	78
F438754	FUEL LINE, PUMP TO CARBURETOR . . . . .	17	17				
F438760	FUEL PUMP GASKET . . . . .	17	3				
F438801	FITTING . . . . .	17	15				
F438930	RETAINER, SNOUT . . . . .	33	43				
F458250	BEARING CUP . . . . .	35	62				
F458347	MOUNT . . . . .	23	24				

# PARTS INDEX

Part Number	Description	Pg.	Ref. No.	Part Number	Description	Pg.	Ref. No.
F474359	WASHER	29	13	F474859	STUD, SHIFT ARM	23	37
F474371	REMOTE CABLE BRACKET	23	21	F474860	CARBURETOR INTAKE	11	18
F474377	LEVER, COVER LATCH PORT	3	37	F474864	RETAINER, COVER LATCH	3	11
F474378	LEVER, COVER LATCH STARBOARD (NOT SHOWN)	3	-	F474867	UPPER EXHAUST TUBE GASKET	31	69
F474387	TIMING DECAL	9	54	F474871	SHAFT, GEAR SHIFT	23	10
F474388	DISC, WATER PUMP	35	63	F474876	SHIFT ARM	23	38
F474390-1	DECAL, REVERSE LOCK (NOT SHOWN)	31	-	F474881	LINK, GEAR SHIFT	23	33
F474398	DECAL, WIRING	27	87	F474897	GUIDE, COVER LATCH STARBOARD	3	40
F474445	SPARK, CONTROL LINK	25	52	F474909	LOCATING PIN	27	90
F474453	LEG EXHAUST GASKET	29	6	F474913	GROMMET	5	41
F474487	GUIDE, COVER LATCH PORT (NOT SHOWN)	3	-	F474932	SPACER, CONTROL CABLE	23	20
F474509	CHOKE LINK	11	10	F474942	BUMPER	31	80
F474510	LINK	29	40	F474946	SHOCK MOUNT COVER UPPER	31	77
F474529	CYLINDER HEAD GASKET	25	78	F474965-1	SHOCK MOUNT UPPER	31	74
F474531	STUD, TIMING RING RETAINER	9	52	F474980-1	STABILIZER, FRONT	23	25
F474539	BUMPER	29	11	F474982	STABILIZER, REAR	25	75
F474551	BRACKET, INTERLOCK SWITCH	25	44	F474984	BLANKET, SILENCER, TOP (NOT SHOWN)	5	-
F474567	ADAPTER, CARBURETOR INTAKE	11	19	F474985	BLANKET, SILENCER, SIDE (NOT SHOWN)	5	-
F474607	KING PIN YOKE	29	34	F474990	SPACER	29	35
F474615	GEAR SHIFT ROD UPPER	31	3	F474991	GROMMET	3	21
F474620	PIN, GEAR SHIFT	23	8	F474992	BLANKET, SILENCER, FRONT, (NOT SHOWN)	5	-
F474621	LEVER, GEAR SHIFT	23	9	F474995	CYLINDER HEAD COVER	25	57
F474640	PIVOT, GEAR SHIFT	23	5	F474996	CYLINDER HEAD COVER GASKET	25	72
F474648	SPARK PLUG COVER	25	64	F475061	CARBURETOR COMPLETE (WB27A) (NOT SHOWN)	13	-
F474660	LEG EXHAUST TUBE	31	68	F475133	MOTOR LEG	31	10
F474662	BEVEL GEAR REAR	33	13	F475244	INLET WATER LINE	35	5
F474680	SPACER PLATE	31	73	F475615	GEAR SHIFT ROD UPPER	31	3
F474704	COUPLER	23	31	F481836	GASKET	11	22
F474704	COUPLER, SHIFT ROD	29	1	F485512	INSERT PLATE	3	17
F474705	GEAR SHIFT ROD LOWER	33	35	F485755	FUEL TANK ADAPTER	37	8
F474707	SHOCK MOUNT COVER LOWER	29	15	F50109	PLUG, GEAR HOUSING	33	28
F474717	WASHER, BEVEL PINION RETAINING	35	46	F50342-1	SEAL	17	1
F474736	DRIVESHAFT SEAL	35	60	F510374	DECAL, CIRCUIT BREAKER	9	67
F474744-1	WIRING HARNESS	7	24	F510460	CIRCUIT BREAKER	7	6
F474746	FUEL PUMP COVER	17	2	F53504	GROMMET	11	16
F474751	SCREW, SPARK PLUG COVER	25	65	F58685-2	CONNECTOR, SHIFT CABLE	39	2
F474756	PACKING, SUPPORT PLATE FRONT	5	47	F590	REMOTE CONTROL FLUSH MOUNT (SINGLE LEVER)	45	-
F474817	RETAINER, SUPPORT PLATE	3	26	F7001	ELASTIC STOP NUT	29	21
F474827	HANDLE AND SHAFT	29	41	F7007	STOP NUT, 5/16 - 18	29	20
F474830	WATER LINE BRACKET GASKET	33	3	F7011	STOP NUT	3	14
F474832	IDLE RELIEF COVER	29	8	F7025	LOCKNUT, 3/8 - 16	3	38
F474833	GASKET, IDLE RELIEF COVER	29	9	F7025	STOP NUT, S.S., 3/8 - 16	23	35
F474838	TOWERSHAFT	25	46	F70H01	ANTI CORROSION KIT	44	-
F474847	WASHER	29	16	F70H05	BATTERY EXTENSION CABLE	44	-
F474849	WASHER	31	75	F71H02	ANTI CORROSION SACRIFICIAL ANODE	44	-
				F71H04	SPEEDOMETER	45	-
				F71H08	FUEL TANK (ACCESSORY ITEM)	37	9

# PARTS INDEX

Part Number	Description	Pg.	Ref. No.	Part Number	Description	Pg.	Ref. No.
F71H10	SENDING UNIT . . . . .	44	-	F84314-2	ELBOW, FUEL LINE . . . . .	11	11
F71H12	FUEL TANK ANCHOR . . . . .	44	-	F84449	NEUTRAL INTERLOCK SWITCH . . . . .	7	3
F71H21	IGNITION SWITCH MOUNTING KIT (ACCESS. ITEM) . . . . .	9	63	F84504	THERMOSTAT GROMMET . . . . .	25	71
F71H23	STEEL, 12 GALLON FUEL TANK . . . . .	44	-	F84792	FUEL PUMP VALVE GASKET . . . . .	17	7
F71H26	BATTERY TERMINAL KIT . . . . .	44	-	F85017	PISTON PIN . . . . .	21	2
F71H26	BATTERY TERMINAL KIT (ACCESSORY ITEM) . . . . .	7	36	F85033	SWIVEL, CHOKE ROD FOR TOP CARB. . . . .	11	5
F71H30	BUZZER, HEAT INDICATOR, (ACCESSORY ITEM) . . . . .	7	33	F85161-1	REED STOP . . . . .	15	18
F72H36	REMOTE CONTROL SURFACE MOUNT (SINGLE LEVER) . . . . .	45	-	F85168	REED PLATE ADAPTER GASKET . . . . .	15	14
F74H04	POWER TRIM . . . . .	45	-	F85314-1	ELBOW, FUEL LINE FOR BOTTOM CARB. . . . .	11	14
F74H07	WATER PUMP KIT . . . . .	44	-	F85317-1	SOLENOID CLAMP . . . . .	15	7
F74H09	TACHOMETER (FLUSH MOUNT) . . . . .	45	-	F8537	SPRING PIN . . . . .	31	56
F74H10	TEMPERATURE GAUGE (FLUSH MOUNT) . . . . .	44	-	F85372	PIN, GEAR SHIFT ROD LOWER . . . . .	33	37
F74H12	POWER TRIM INDICATOR (FLUSH MOUNT) . . . . .	45	-	F85410	SNAP RING . . . . .	21	11
F74H19	IGNITION KEY SWITCH . . . . .	44	-	F8547	SPRING PIN . . . . .	23	6
F74H19	SWITCH, IGNITION (ACCESSORY ITEM) . . . . .	9	60	F8547	SPRING PIN . . . . .	29	5
F74H20	IGNITION KEY SWITCH . . . . .	44	-	F85498	FLYWHEEL KEY . . . . .	21	24
F74H21	REMOTE STEERING CONNECTOR . . . . .	45	-	F85571	CENTER MAIN BEARING CAGE W/ROLLERS . . . . .	21	13
F8001	NYLTITE WASHER . . . . .	33	30	F8563	DOWEL PIN . . . . .	23	17
F8011	PLAIN WASHER . . . . .	7	34	F85689	BEARING . . . . .	23	1
F8011	PLAIN WASHER . . . . .	7	8	F85735-1	SEAL . . . . .	25	63
F8028	PLAIN WASHER . . . . .	19	16	F85735-1	SEAL, MEDALLION . . . . .	5	50
F8048	BOWED WASHER . . . . .	9	53	F85762	GASKET, BY-PASS VALVE COVER . . . . .	25	81
F8056	SPRING LOCKWASHER . . . . .	7	16	F85843-1	ELECTRIC CONTROL CABLE, 18 FEET . . . . .	7	25
F8058	INTERNAL TOOTH LOCKWASHER . . . . .	23	27	F85924	CHOKE SOLENOID . . . . .	7	37
F8060	LOCKWASHER . . . . .	19	15	F85925	CHOKE SOLENOID ROD . . . . .	11	7
F8065	LOCKWASHER . . . . .	33	32	F89011	SWIVEL BRACKET WASHER . . . . .	31	63
F8067	SPRING LOCKWASHER . . . . .	29	18	F9038	WOODRUFF KEY . . . . .	35	47
F8077	WASHER, GEAR HOUSING PLUG . . . . .	33	27	F90807	RETAINING RING . . . . .	11	23
F8083	LOCKWASHER . . . . .	3	9	F90891	GEAR SHIFT ARM PIN . . . . .	33	29
F8088	PLAIN WASHER . . . . .	7	2	F91446-1	CIRCUIT BREAKER BRACKET . . . . .	7	9
F8088	PLAIN WASHER . . . . .	11	3	F92759	THROTTLE ROLLER . . . . .	13	49
F8094	PLAIN WASHER . . . . .	3	10	F97772	FUEL LINE CLAMPS . . . . .	17	16
F8094	PLAIN WASHER . . . . .	23	4	F97772	HOSE CLAMP . . . . .	11	12
F8094	WASHER . . . . .	29	44	F98273	ROD END CONNECTOR STUD . . . . .	23	34
F8096	SPRING LOCKWASHER . . . . .	7	27	F99521-1	CLUTCH . . . . .	33	23
F8096	SPRING LOCKWASHER . . . . .	19	20	FA15072	HEX LOCK NUT AND WASHER ASSEMBLY, 1/4 - 20 . . . . .	19	13
F8096	SPRING LOCKWASHER . . . . .	33	42	FA27232	EMERGENCY STARTER ROPE (NOT SHOWN) . . . . .	9	-
F84026	SPARK CONTROL SWIVEL . . . . .	25	49	FA433113	STERN BRACKET LOCK BAR W/HANDLE . . . . .	31	61
F84031	WATER PUMP GASKET . . . . .	35	55	FA435016	CONNECTING ROD W/CAP AND SCREWS . . . . .	21	14
F84035-2	SPARK CONTROL BEARING, R.H. . . . .	25	50	FA438431	FUEL PUMP BODY W/VALVES . . . . .	17	8
F84036	SPARK CONTROL BEARING, L.H. . . . .	25	53	FA465385	INSERT, NUMERAL . . . . .	3	18
F84068-2	THERMOSTAT . . . . .	25	70	FA474038	SUPPORT PLATE PORT W/LOWER PACKING . . . . .	3	28
F84278	SEAL . . . . .	21	7				
F84280	KING PIN NUT . . . . .	29	33				



# PARTS INDEX

Part Number	Description	Pg.	Ref. No.	Part Number	Description	Pg.	Ref. No.
FA474088	SUPPORT PLATE			FO11103	IDLE SCREW SPRING	11	42
	STARBOARD W/LOWER			FO13552	FUEL BOWL	11	30
	PACKING	5	43	FO13554	FLOAT	11	33
FA474098	PROPELLER SHAFT	33	20	FO13555	CHOKE SHUTTER	11	39
FA474128	DRIVESHAFT W/BEARING,			FO13944	FLOAT LEVER PIN	11	32
	SCREW AND WASHER	35	48	FO13945	FUEL BOWL RETAINING		
FA474228	BEARING CAGE W/ROLLERS				SCREW	11	28
	(SPLIT HALF)	21	15	FO13946	IDLE SCREW	11	41
FA474260	PISTON RING SET (4 PER			FO13947	CHOKE SHAFT RETURN		
	SET)	21	5		SPRING	13	43
FA474469	HANDLE, COVER LATCH			FO14188	MAIN FUEL JET (.066)	11	36
	PORT W/SHAFT & PIN	3	30	FO15217	MAIN NOZZLE	11	35
FA474499	HANDLE, COVER LATCH			FO15230	THROTTLE SHAFT AND		
	STARBOARD W/SHAFT				LEVER	13	47
	AND PIN (NOT SHOWN)	3	-	FO15623	FUEL BOWL GASKET	11	31
FA474511	TIE BAR W/SWIVEL	11	24	FO16008	THROTTLE SHAFT RETURN		
FA474518	CYLINDER HEAD W/PLUG	25	76		SPRING	13	46
FA474554	GEAR HOUSING UPPER,			FO16311	INLET NEEDLE, SEAT AND		
	W/SHIFT ROD SEAL,				GASKET	11	37
	WASHER AND PLUG	35	50	FO16850	CHOKE SHAFT AND LEVER	11	1
FA474774	BRACKET, COVER LATCH			FO16851	THROTTLE SHUTTER	13	51
	W/SCREWS & NUTS	3	13	FO17181	IDLE TUBE	11	20
FA474777	CAM, PORT LATCH W/PIN	3	36	FO2510	GASKET, FUEL BOWL		
FA474780	CAM, STARBOARD LATCH				RETAINING SCREW	11	29
	W/PIN (NOT SHOWN)	3	-	FO4326	BODY CHANNEL WELCH		
FA474892	INSERT FRONT PLATE, USA	5	48		PLUG	13	45
FA474893	INSERT FRONT PLATE,			FO8942	SHUTTER SCREW		
	CANADA	5	-		W/LOCKWASHER	11	40
FA474901	BEARING, DRIVESHAFT			FO8942	THROTTLE SHUTTER		
	UPPER W/CUP	35	53		SCREW W/LOCKWASHER	13	52
FA475019	KING PIN ASSEMBLY	31	65	FP475	PROPELLER, (ACCESSORY		
FA475128	DRIVESHAFT W/BEARING,				ITEM)	33	19
	SCREW AND WASHER	35	48	FS409752	FUEL LINE, COMPLETE	37	-
FA510497	TERMINAL BLOCK	7	12	FS474030	CAPACITOR	9	45
FA523735	SEAL, INLET WATER LINE			FS474095	ALTERNATOR STATOR	7	40
	LOWER	35	61	FS474097	FLYWHEEL	9	57
FA58976-1	CONNECTOR, THROTTLE			FS474470	REGULATOR - RECTIFIER	7	43
	CABLE	39	1	FS474475	IGNITION COIL	7	22
FA77395-5	IDENT. PLATE W/SCREWS,			FS474712	ENGINE COVER		
	(USA)	5	45		W/BRACKETS AND		
FA84754-1	FUEL LINE SHORT				RETAINERS	3	1
	W/FERRULES	37	4	FT2951	CIRCUIT TRACER	40	-
FA85193	TIE BAR END W/SWIVEL	11	27	FT2996	RING COMPRESSOR	41	-
FA85655-1	CRANKSHAFT CENTER			FT8901	INDICATOR HOLDER	42	-
	MAIN BEARING RACE			FT8902	DIAL INDICATOR	42	-
	W/SNAP RING	21	12	FT8907	DRIVER HANDLE	41	-
FA90871-3	GEAR SHIFT ARM PIN			FT8924-1	CHECKING GAUGE	42	-
	W/YOKE	33	21	FT8926	RING EXPANDER	41	-
FA94094-2	PROPELLER NUT W/SEAL			FT8933	LIFTING HOOK	41	-
	AND COTTER PIN	33	16	FT8948-1	FLYWHEEL PULLER	40	-
FC522227	SPARK PLUG (QUL-77V),			FT8948-1	PROPELLER SHAFT		
	MODELS 558BH, 559BH	25	-		BEARING CAGE PULLER		
FG1013	GASKET SET (NOT SHOWN)	27	-		AND FLYWHEEL PULLER	42	-
FK17114-1	INDICATOR	39	32	FT8950	LEAKAGE TESTER	43	-
FK247	PROPELLER PIN, PACK OF			FT8957	SEAL INSTALLER	42	-
	6 W/COTTER PIN	33	18	FT8978	POWER TIMING LIGHT	40	-
FK433032	STERN BRACKET W/CLAMP			FT8979	WATER PUMP CENTERING		
	SCREW AND FOOT	29	26		TOOL	42	-
FO10165	INLET SEAT GASKET	11	38	FT8982	SHIM ADAPTER	42	-
FO10588	BODY CHANNEL CUP PLUG	13	44	FT8983	SEALANT	41	-

# PARTS INDEX

Part Number	Description	Pg.	Ref. No.	Part Number	Description	Pg.	Ref. No.
FT8985	SEAL INSTALLER . . . . .	42	-				
FT8986A	TEST WHEEL . . . . .	43	-				
FTA2937-1	TIMING TOOL . . . . .	40	-				
FTA8994	PISTON PIN TOOL . . . . .	41	-				
K749	PAINT SPRAY BOMB, FLAT BLACK ENAMEL, 6 OZ. . . . .	27	-				
S474082-2	TIMING RING . . . . .	9	51				
S474301-1	MODULE . . . . .	7	41				
S474955-2	STARTER COMPLETE . . . . .	19	-				
T8974	BREAKER POINT TENSION GAUGE . . . . .	43	-				
T8984	INSTALLER . . . . .	41	-				
22-817740A1	FITTING, PUDDLE DRAIN W/METERING CUP . . . . .	23	16				
22-817740A1	PUDDLE DRAIN FITTING W/METERING CUP . . . . .	15	2				
30-F284659-2	CRANKSHAFT LOWER MAIN BEARING . . . . .	21	16				
31-818060A1	BEARING CAGE LOWER W/SEALS . . . . .	21	8				
32-817738A1	FUEL LINE, LONG W/CLAMP AND FERRULE . . . . .	37	1				
33-818007--1	SPARK PLUG (UL-18V) . . . . .	25	62				
84-817821A1	HI-TENSION WIRE . . . . .	7	21				
1600-817819A1	GEAR HOUSING LOWER W/PLUG, WASHER AND THRUST BEARING CUP . . . . .	33	26				
1600-817900A1	GEAR HOUSING COMPLETE	35	-				