



PARTS CATALOG

25 H.P.

SERIAL NUMBER

25 (1977)	252BB
25 (1977)	252HB
25 (1977)	253BB
25 (1977)	253HB
25 (1977)	256BA
25 (1977)	256HA
25 (1977)	257BA
25 (1977)	257HA

TABLE OF CONTENTS:

ACCESSORIES	52
ALTERNATOR	16
CARBURETOR	18
CRANKSHAFT AND PISTON GROUP	24
ELECTRIC STARTER	10
ELECTRICAL COMPONENTS	14
ENGINE COVER AND SUPPORT PLATE (ELECTRIC START)	6
ENGINE COVER AND SUPPORT PLATE (MANUAL START MODELS)	2
FUEL PUMP	26
FUEL TANK AND LINE	46
GEAR HOUSING	42
HAND STARTER	8
LUBRICATION CHART	55
MAGNETO	12
MOTOR LEG	36
PARTS INDEX	57
POWER HEAD	28
REED PLATE	22
SPECIAL ADJUSTMENTS	56
SPECIAL TOOLS - LOWER UNIT	50
SPECIAL TOOLS - POWER HEAD	49
SPECIAL TOOLS - TEST EQUIPMENT	51
SPECIAL TOOLS - TUNE-UP	48
SPECIFICATIONS	54
SWIVEL BRACKET GROUP	32

NOTE: Indented description indicate that these parts are included in preceeding assembly.

AR = As Required

NSS = Not Sold Separate

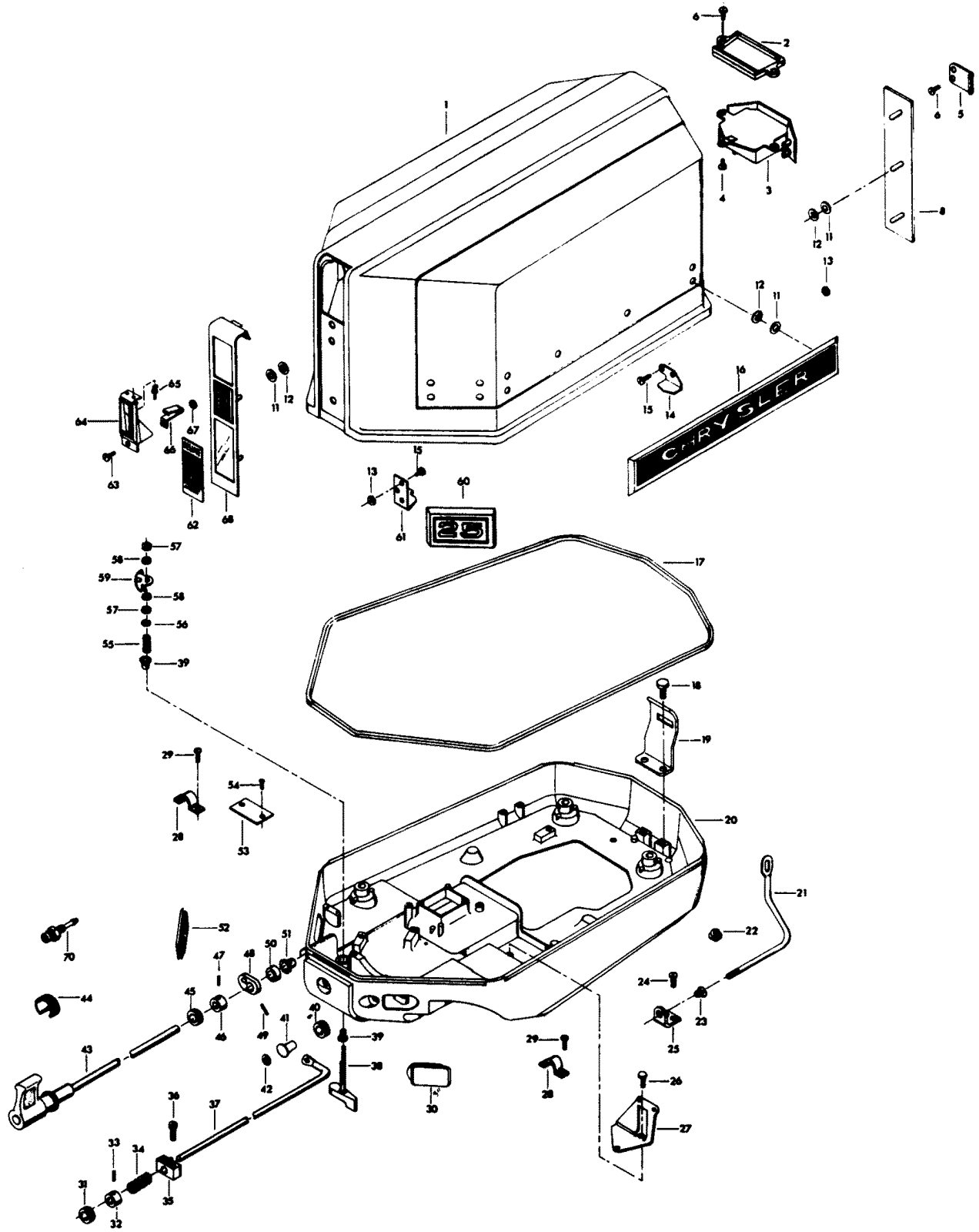
OPT = Optional

NS = Not Shown

THESE PARTS BOOKS/FICHE CARD ARE COPYRIGHTED AND MAY NOT BE DISTRIBUTED OR REPRODUCED IN ANY OTHER FORMAT BY ANYONE OTHER THAN MERCURY MARINE WITHOUT THE PRIOR WRITTEN CONSENT OF MERCURY MARINE.

THIS PAGE INTENTIONALLY LEFT BLANK

ENGINE COVER AND SUPPORT PLATE (MANUAL START MODELS)

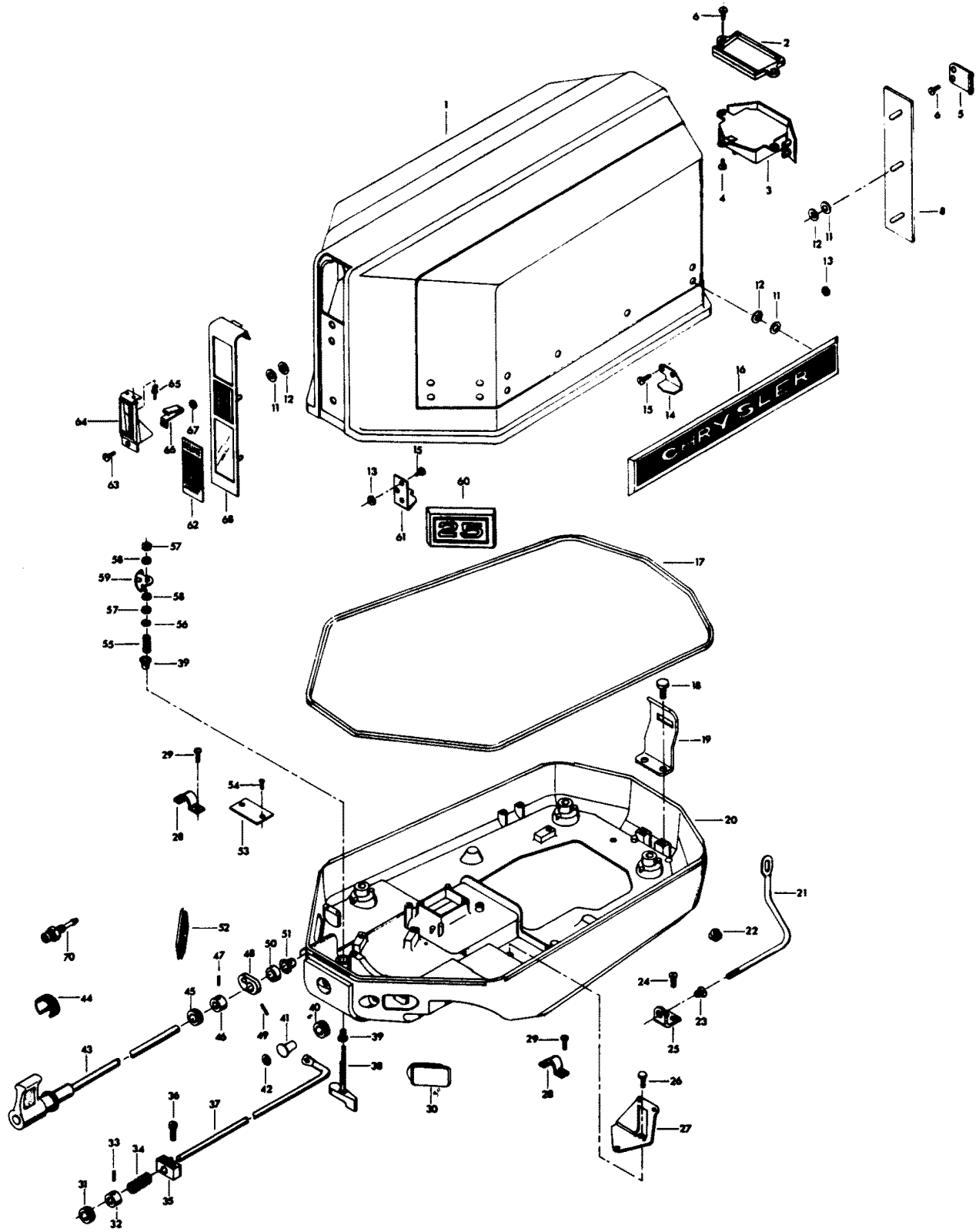


ENGINE COVER AND SUPPORT PLATE (MANUAL START MODELS)

REF. NO.	PART NO.	SYM.	QTY.	DESCRIPTION
1	FA458712		1	ENGINE COVER W/FRONT AND REAR RETAINERS
2	F458245		1	BAFFLE, TILT HANDLE
3	FA513269		1	TILT HANDLE
4	F2025		1	PAN HD SCREW, 10 X 5/8
5	F463864		2	RETAINER, TILT HANDLE
6	F1728		6	PAN HD SCREW, 10 X 3/8
8	504180		1	TRIM, REAR
11	F85735-1		23	SEAL
12	F1753		23	FASTENER
13	F7011		4	HEX NUT
14	FA458480		1	RETAINER, ENGINE COVER REAR W/SCREWS AND NUTS
15	F1475		4	FILL HD SCREW, 10 - 24 X 1/2
16	458366-1		2	PLATE, NAME "CHRYSLER"
17	F85756		1	PACKING, ENGINE COVER
18	F1502		2	HEX HD SCREW, 1/4 - 20 X 5/8
19	F461774		1	BRACKET, RETAINER REAR
20	F458038-2		1	SUPPORT PLATE
21	F458503		1	CHOKE ROD
22	F1632		1	PLASTI-PLUG
23	F183818		1	BEARING, CHOKE ROD
24	F1760		2	PAN HD SCREW, 10 - 24 X 3/8
25	F324993		1	BRACKET, CHOKE ROD BEARING
26	F1236		2	HEX CAP SCREW, 1/4 - 20 X 1/2
27	F458371		1	BRACKET, REMOTE THROTTLE CABLE
28	F154317		2	CLAMP, REMOTE CABLE
29	F2107		4	SLOTTED FILL HD SCREW W/SPRING LOCKWASHER, 10 - 24 X 5/8
30	F324840-1		1	GROMMET, REMOTE THROTTLE CABLE
31	F183504		1	GROMMET, MAGNETO CONTROL SHAFT
32	FA343178		1	RETAINER, MAGNETO CONTROL SHAFT W/SET SCREW
33	F1859		1	HEX SOCKET HEADLESS SET SCREW, 1/4 - 28 X 3/16
34	F183300		1	SPRING, MAGNETO CONTROL SHAFT
35	F324689		1	BEARING, MAGNETO CONTROL SHAFT
36	F1087		2	FILL HD SCREW, 10 - 24 X 7/8
37	FA458838		1	MAGNETO CONTROL SHAFT
38	FA413469		1	COVER LATCH HANDLE W/SHAFT
39	F307818		2	BEARING, LATCH SHAFT
40	F53840-2		1	GROMMET, CHOKE ROD
41	F286547		1	CHOKE KNOB
42	F458677		1	INSERT, CHOKE KNOB
43	F2A504614		1	KNOB, GEAR SHIFT W/SHAFT AND INDICATOR
44	F461400		1	INDICATOR, GEAR SHIFT
45	F24623-1		1	GROMMET, GEAR SHIFT

CONTINUED ON NEXT PAGE ➡

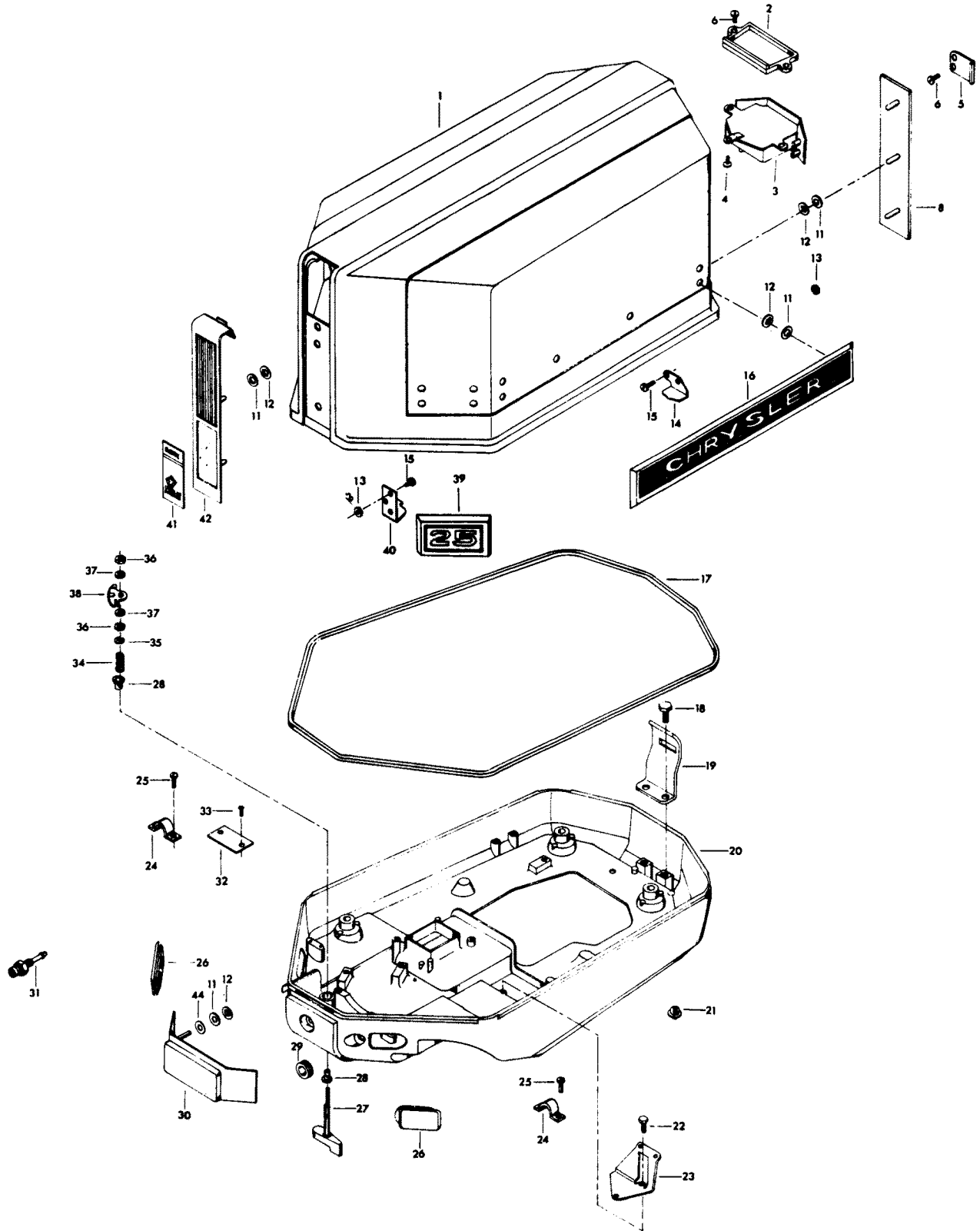
ENGINE COVER AND SUPPORT PLATE (MANUAL START MODELS)



ENGINE COVER AND SUPPORT PLATE (MANUAL START MODELS)

REF. NO.	PART NO.	SYM.	QTY.	DESCRIPTION
46	FA343178		1	RETAINER, GEAR SHIFT SHAFT W/SET SCREW
47	F1859		1	HEX SOCKET HEADLESS SET SCREW, 1/4 - 28 X 3/16
48	F504621		1	LEVER, GEAR SHIFT CONTROL
49	F1836		1	SPRING PIN
50	F504836		1	SPACER, GEAR SHIFT SHAFT
51	F307818		1	BEARING
52	F324840-1		1	GROMMET, REMOTE SHIFT CABLE
53	FA77395-5		1	PLATE, IDENTIFICATION W/SCREWS, U.S.A.
-	AC16395-7		1	PLATE, IDENTIFICATION W/SCREWS, CANADA
54	F1293		2	DRIVE SCREWS
55	F183300		1	SPRING, LATCH SHAFT
56	F185764		1	RETAINING RING
57	F1515		2	HEX JAM NUT, 5/16 - 18
58	F8096		2	SPRING LOCKWASHER
59	F89777-1		1	CAM, ENGING COVER LATCH
60	F461512		2	PLATE, NUMERAL
61	FA458778		1	RETAINER, ENGINE COVER FRONT W/SCREWS AND NUTS
62	FA458892		1	INSERT, PLATE FRONT, U.S.A.
-	A458893		1	INSERT, PLATE FRONT, CANADA
63	F1760		1	PAN HD SCREW, 10 - 24 X 3/8
64	F458888-1		1	TRIM, STARTER HANDLE GUIDE
65	F2026		2	PLASTIC RIVET
66	F458880		1	CLIP, STARTER GUIDE
67	F1473		1	HEX NUT, 10 - 24
68	F458711		1	PLATE, FRONT
70	F434767		1	BUSHING, FUEL LINE

ENGINE COVER AND SUPPORT PLATE (ELECTRIC START)



ENGINE COVER AND SUPPORT PLATE (ELECTRIC START)

REF. NO.	PART NO.	SYM.	QTY.	DESCRIPTION
1	FA458712		1	ENGINE COVER W/FRONT AND REAR RETAINERS
2	F458245		1	BAFFLE, TILT HANDLE
3	FA513269		1	TILT HANDLE
4	F2025		1	PAN HD SCREW, 10 X 5/8
5	F463864		2	RETAINER, TILT HANDLE
6	F1728		6	PAN HD SCREW, 10 X 3/8
8	504180		1	TRIM, REAR
11	F85735-1		25	SEAL
12	F1753		25	FASTENER
13	F7011		4	HEX NUT, 10 - 24
14	FA458480		1	RETAINER, ENGINE COVER REAR W/SCREWS AND NUTS
15	F1475		4	FILL HD SCREW, 10 - 24 X 1/2
16	458366-1		2	PLATE, NAME "CHRYSLER"
17	F85756		1	PACKING, ENGINE COVER
18	F1502		2	HEX HD MACHINE SCREW, 1/4 - 20 X 5/8
19	F461774		1	BRACKET, RETAINER REAR
20	F458038-2		1	SUPPORT PLATE
21	F1632		1	PLASTI-PLUG
22	F1236		2	HEX CAP SCREW, 1/4 - 20 X 1/2
23	F458371		1	BRACKET, REMOTE THROTTLE CABLE
24	F154317		2	CLAMP, REMOTE CABLE
25	F2107		4	SLOTTED FILL HD SCREW W/SPRING LOCKWASHER, 10 - 24 X 5/8
26	F462840		2	GROMMET
27	FA413469		1	COVER LATCH HANDLE W/SHAFT
28	F307818		2	BEARING LATCH SHAFT
29	F53504		1	GROMMET, SUPPORT PLATE
30	F460163-1		1	COVER, SUPPORT PLATE
31	F434767		1	BUSHING, FUEL LINE
32	FA77395-5		1	PLATE, IDENTIFICATION W/SCREWS, U.S.A.
-	AC16395-7		1	PLATE, IDENTIFICATION W/SCREWS, CANADA
33	F1293		2	DRIVE SCREWS
34	F183300		1	SPRING, LATCH SHAFT
35	F185764		1	RETAINING RING
36	F1515		2	HEX JAM NUT, 5/16 - 18
37	F8096		2	SPRING LOCKWASHER
38	F89777-1		1	CAM, ENGINE COVER LATCH
39	F461512		2	PLATE, NUMERAL
40	FA458778		1	RETAINER, ENGINE COVER FRONT W/SCREWS AND NUTS
41	A505892		1	INSERT, FRONT PLATE, U.S.A.
-	A505893		1	INSERT, FRONT PLATE, CANADA
42	F460711		1	PLATE, FRONT
44	F8011		1	PLAIN WASHER

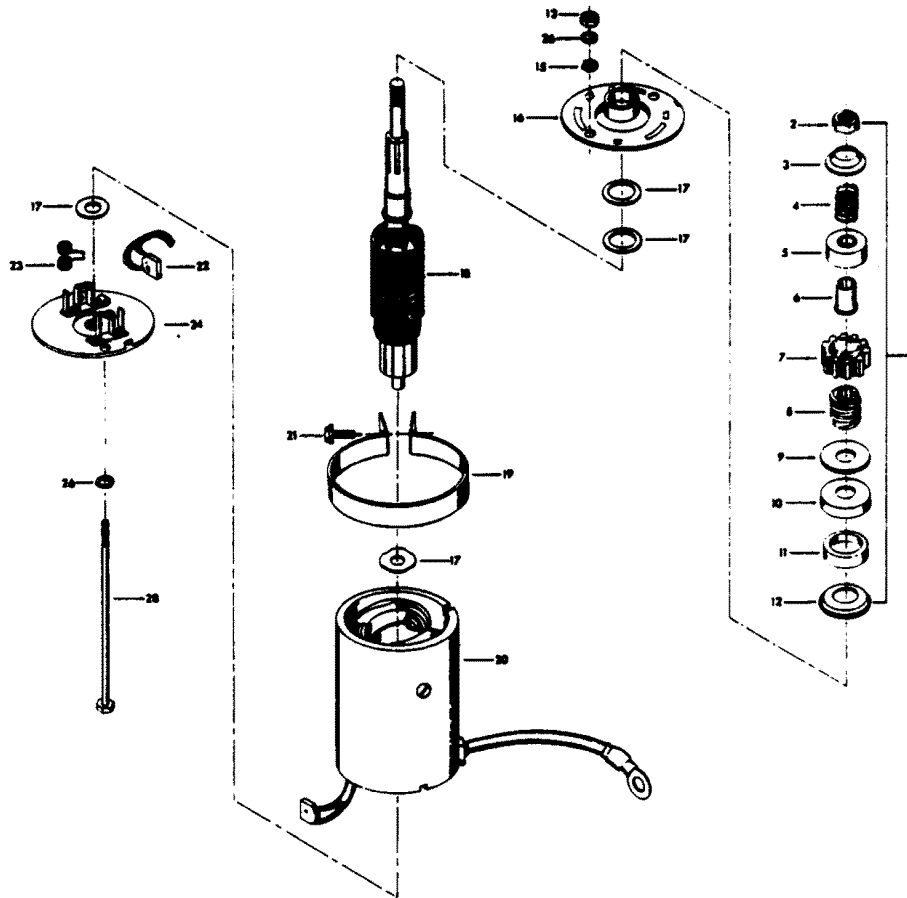
HAND STARTER

* * * * MISSING ILLUSTRATION * * * *

HAND STARTER

REF. NO.	PART NO.	SYM.	QTY.	DESCRIPTION
1	F1864		3	SLOTTED HEX HD SCREW, 1/4 - 20 X 3/4 (HAND START MODELS)
-	F1864		1	SLOTTED HEX HD SCREW, 1/4 - 20 X 3/4 (ALTERNATOR MODELS)
2	817955A1		1	HOUSING, HAND STARTER
3	F458937		1	LINER, STARTER HOUSING
4	F1927		1	PAN HD SCREW, 10 - 32 X 3/8
5	F458071		1	SPRING, STARTER HANDLE GUIDE FOR MANUAL START MODELS
6	F458953-1		1	GUIDE, STARTER HANDLE FOR MANUAL START MODELS
7	F458970		1	SPRING, STARTER REWIND
8	F458239		1	STARTER-PULLEY
9	F458424		1	SPRING, STARTER PAWL PLATE
10	F458232		1	STARTER ROPE
11	F458132		1	HANDLE, STARTER ROPE FOR MANUAL START MODELS
12	817938A1		1	RETAINER, STARTER ROPE HANDLE FOR MANUAL START MODELS
13	F458456		1	HAND STARTER COLLAR
14	F2021		1	FLYWHEEL NUT
15	F2004		3	FILL HD SCREW, 8 - 32 X 3/8
16	F458592		1	RETAINER, STARTER PULLEY
17	F9022		0	SHIM .006 (SILVER)
-	F9023		0	SHIM .007 (BRASS)
-	F9024		0	SHIM .010 (BLACK)
18	FA460423		1	STARTER PAWL PLATE ASSEMBLY
19	F2040		1	HEX HD MACHINE SCREW, 1/4 - 20 X 5/8
20	F461952		1	STRAP, HAND STARTER HOUSING
21	F458846		1	SPRING, STARTER INTERLOCK LEVER
22	F1638		1	SPRING PIN
23	F458003		1	STARTER INTERLOCK LEVER
24	F1500		1	RD HD SHEET METAL SCREW, 4 X 1/4 FOR MANUAL START MODELS
25	F8011		1	PLAIN WASHER
26	F18132-1		1	HANDLE, STARTER ROPE
27	F2012		3	PLAIN WASHER (HAND START MODELS)
-	F2012		1	PLAIN WASHER (ALTERNATOR MODELS)

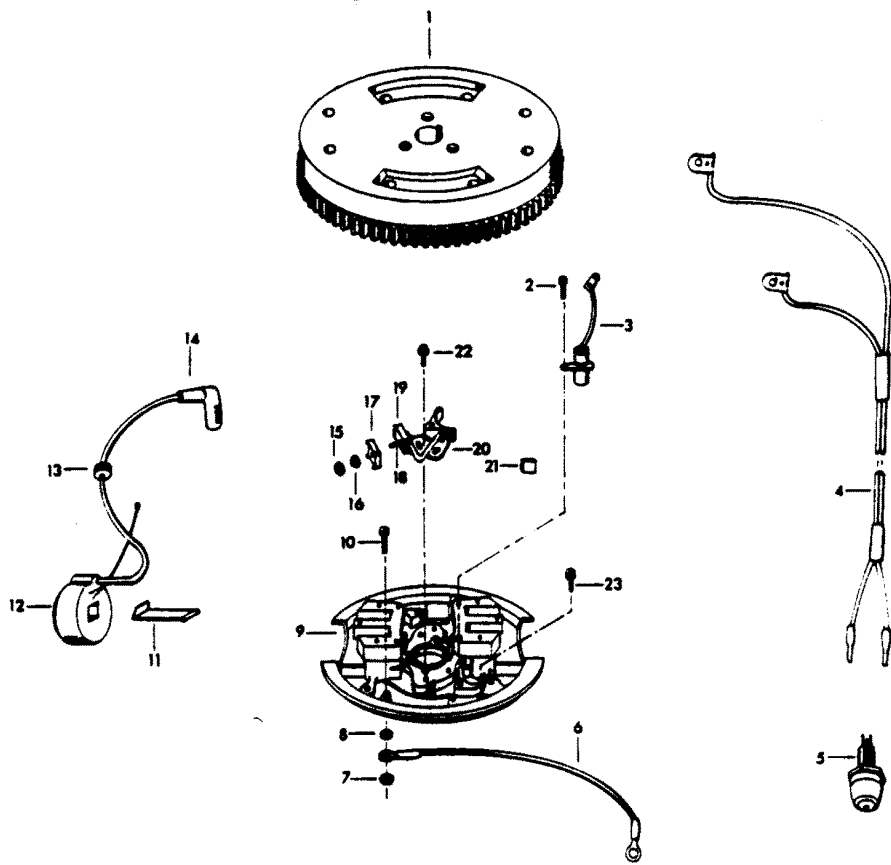
ELECTRIC STARTER



ELECTRIC STARTER

REF. NO.	PART NO.	SYM.	QTY.	DESCRIPTION
1	F15095		1	BENDIX DRIVE
2	F15087		1	HEX NUT
3	F15109		1	CUP, STOP
4	F15102		1	SPRING, ANTI-DRIFT
5	F15107		1	CUP, PINION
6	F15108		1	SLEEVE
7	F15103		1	PINION
8	F15084		1	SCREW SHAFT
9	F15091		1	WASHER
10	F15105		1	CUP, CUSHION
11	F15106		1	CUSHION
12	F15104		1	CUP, CUSHION THRUST
13	F1514		2	HEX JAM NUT, 1/4 - 20
15	F1341		2	HEX NUT, 1/4 - 20
16	F15021-1		1	HEAD ASSEMBLY DRIVE END
17	F15098		1	THRUST WASHER PACKAGE
18	F15010		1	ARMATURE
19	F460573		1	CLAMP, STARTER MOTOR
20	F15117		1	FRAME AND FIELD ASSEMBLY
21	F1705		1	HEX CAP SCREW, 1/4 - 20 X 3/4
22	F15015		1	BRUSH SET
23	F15002		1	SPRING SET
24	F15019-1		1	HEAD ASSEMBLY COMMUTATOR END
26	F8083		2	SPRING LOCKWASHER
28	F15097		1	THRU BOLT PACKAGE
-	FS460955		1	STARTER MOTOR COMPLETE

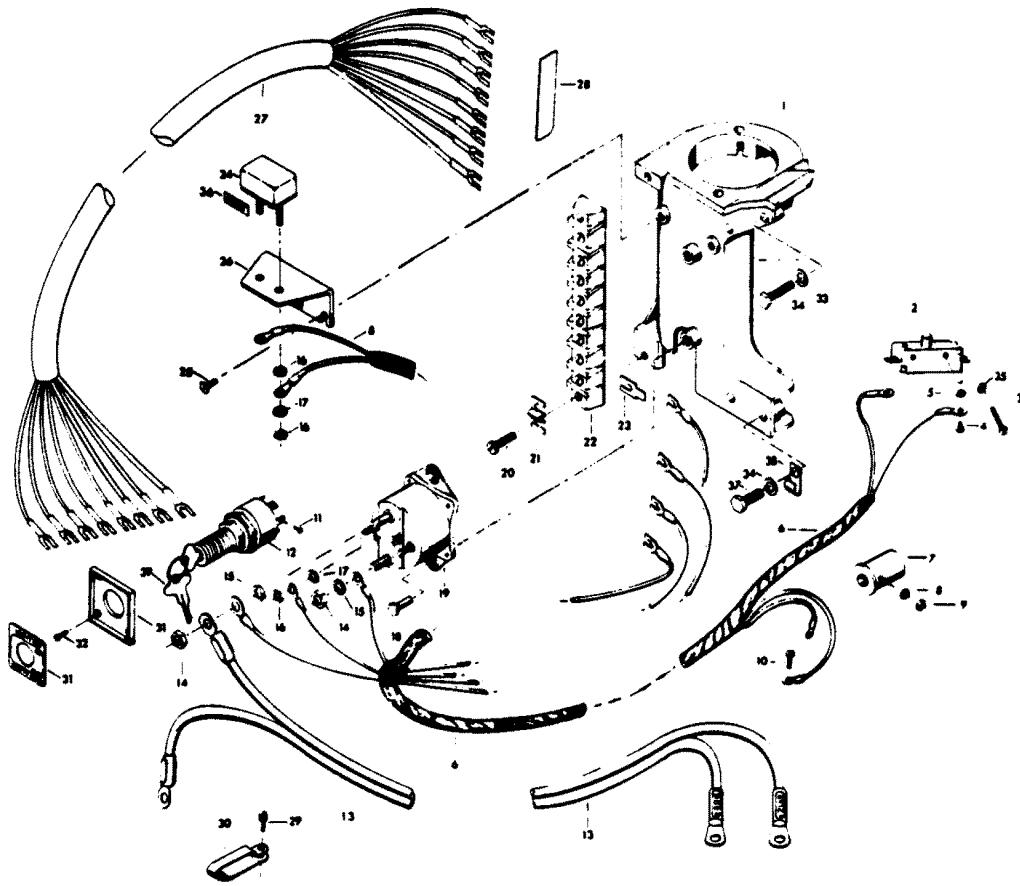
MAGNETO



MAGNETO

REF. NO.	PART NO.	SYM.	QTY.	DESCRIPTION
1	F460097-1		1	FLYWHEEL
2	F12083		2	CONDENSER MOUNTING SCREW
3	F12181-1		2	CONDENSER
4	F12186		1	GROUND LEAD
5	F436449		1	SHORTING SWITCH FOR MANUAL START MODELS
6	F460664		1	STATOR GROUND WIRE
7	F1513		1	HEX NUT
8	F8059		1	SPRING LOCKWASHER
9	F12346		1	STATOR PLATE W/LAMINATIONS
10	F1092		1	FILL HD SCREW, 10 - 32 X 5/8
11	F12146		2	COIL WEDGE SPRING
12	FA12345		2	COIL W/LEAD WIRE
13	F12088		2	GROMMET, LEAD WIRE
14	FK750-1		2	SPARKIE W/SPRING
15	F12127		2	STUD NUT
16	F8055		2	LOCKWASHER
17	F12128		2	INSULATOR, OUTSIDE
18	F12142		2	CONNECTION STUD
19	F12129		2	INSULATOR, INSIDE
20	F12153		2	BREAKER POINT SET
21	F12228		1	CAM WIPER FELT
22	F12170		4	CONTACT SCREW W/LOCKWASHER
23	F2010		3	FILL HD SCREW W/SPRING LOCKWASHER, 10 - 32 X 9/16

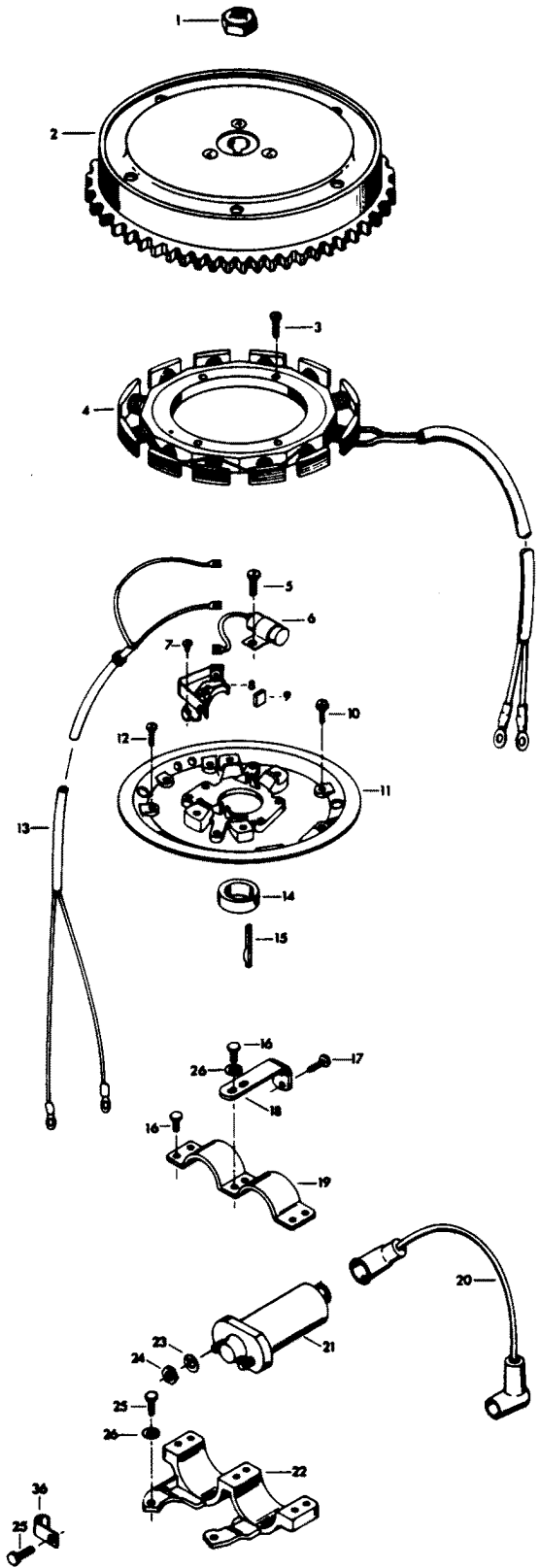
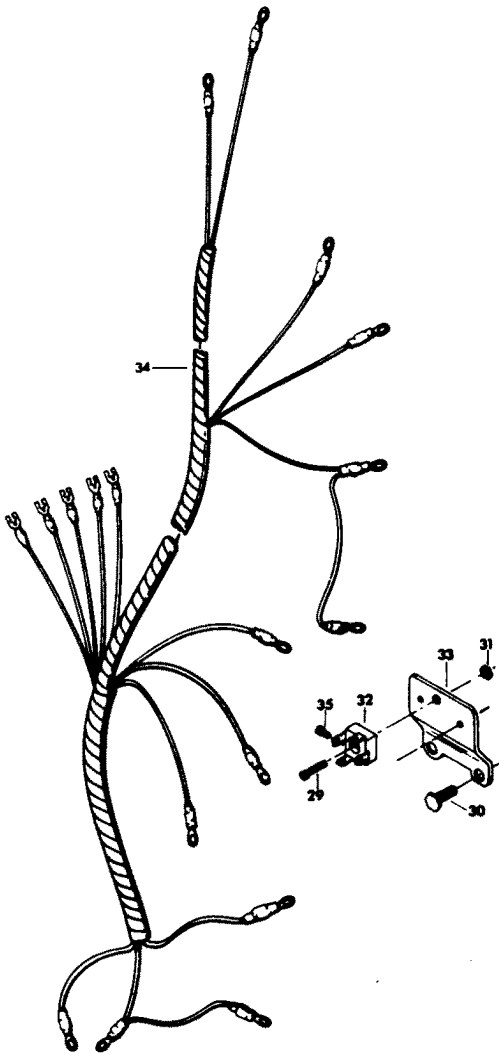
ELECTRICAL COMPONENTS



ELECTRICAL COMPONENTS

REF. NO.	PART NO.	SYM.	QTY.	DESCRIPTION
1	F460427		1	BRACKET, STARTER MOTOR
2	F84449		1	SWITCH, STARTER INTERLOCK
3	F2016		2	FILL HD MACHINE SCREW, 6 - 32 X 7/8
4	F1645		2	ROUND HD SCREW, 6 - 32 X 1/4
5	F1704		2	INTERNAL TOOTH LOCKWASHER
6	F505744		1	WIRING HARNESS
7	F85924		1	CHOKE SOLENOID
8	F8056		1	SPRING LOCKWASHER
9	F1647		1	HEX NUT
10	F1077		1	FILL HD SCREW, 10 - 24 X 1/4
11	F1280		5	PAN HD SCREW, 8 - 32 X 1/4
12	F74H20		1	IGNITION SWITCH (ACCESSORY ITEM)
13	F381896-4		1	CABLE BATTERY ENTRY
14	F1515		2	HEX NUT
15	F8096		2	SPRING LOCKWASHER
16	F1513		6	HEX NUT, 10 - 32
17	F1975		4	SPRING LOCKWASHER
18	F1854		2	HEX CAP SCREW, 1/4 - 20 X 5/8
19	F460917		1	STARTER RELAY
20	F1648		2	SLOTTED PAN HD SCREW, 10 - 24 X 3/4
21	F307317		1	CLIP, TERMINAL BLOCK GROUND
22	FA510497		1	TERMINAL BLOCK
23	F296898		2	TERMINAL
24	F510460		1	CIRCUIT BREAKER
25	F1979		2	SLOTTED PAN HD SCREW, 10 - 24 X 3/4
26	F91446-1		1	BRACKET, CIRCUIT BREAKER
27	F85843-1		1	CABLE, ELECTRIC CONTROL
28	F438398		1	DECAL, WIRING
29	F1734		1	FILL HD MACHINE SCREW W/SPRING LOCKWASHER, 1/4 - 20 X 1/2
30	F407446		1	CLAMP, BATTERY CABLE
31	F71H21		1	IGNITION SWITCH MOUNTING KIT (ACCESSORY ITEM)
32	F1934		4	FLAT HD SCREW, 6 X 1/2
33	F8083		4	SPRING LOCKWASHER
34	F1916		3	HEX HD SCREW, 1/4 - 20 X 1 1/8
35	F8088		2	PLAIN WASHER
36	F510374		1	DECAL, CIRCUIT BREAKER
37	F1100		1	SLOTTED FILL HD SCREW, 1/4 - 20 X 1 1/2
38	F286772-1		1	CLAMP, FUEL PUMP TO CARBURETOR HOSE

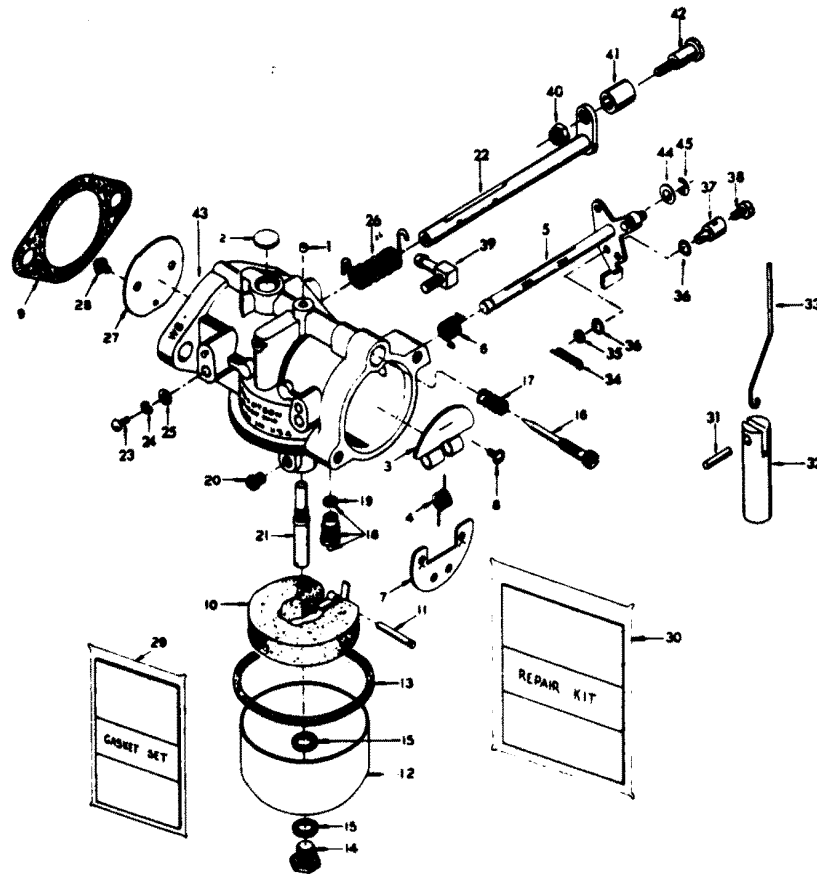
ALTERNATOR



ALTERNATOR

REF. NO.	PART NO.	SYM.	QTY.	DESCRIPTION
1	F2021		1	FLYWHEEL NUT, 5/8 - 18
2	F505097		1	FLYWHEEL
3	F1050		4	SLOTTED FILL HD SCREW, 10 - 24 X 1
4	F505095-1		1	STATOR, ALTERNATOR
5	F12083		2	CONDENSER MOUNTING SCREW
6	F12139-1		2	CONDENSER
7	F12090		4	BREAKER POINT MOUNTING SCREW
8	F12329-1		2	BREAKER POINT SET
9	F12227		2	CAM WIPER FELT
10	F2010		3	FILL HD SCREW W/LOCKWASHER, 10 - 32 X 9/16
11	F12366		1	STATOR PLATE
12	F1092		1	FILL HD SCREW, 10 - 32 X 5/8
13	F12367		1	LEAD WIRE AND GROMMET PACKAGE
14	F268002-2		1	BREAKER CAM
15	F85498		1	FLYWHEEL KEY
16	F1854		6	HEX CAP SCREW, 1/4 - 20 X 5/8
17	F1705		1	HEX CAP SCREW, 1/4 - 20 X 3/4
18	F505993		1	COIL MOUNT BRACKET
19	F505513		1	COIL CLAMP
20	F505841		2	HI-TENSION WIRE
21	85-818076A2		2	IGNITION COIL
22	F505501		1	COIL MOUNT
23	F1975		4	LOCKWASHER
24	F1513		4	HEX NUT, 10 - 32
25	F1953		3	HEX HD SCREW, 1/4 - 20 X 1
26	F2012		4	PLAIN WASHER
29	F1303		1	PAN HD SCREW, 8 - 32 X 3/4
30	F1199		2	HEX CAP SCREW, 1/4 - 20 X 1
31	F1997		1	LOCK NUT, 8 - 32
32	F510450-1		1	RECTIFIER
33	FS505454		1	RECTIFIER BRACKET
34	F505744		1	WIRING HARNESS
35	F1645		4	RD HD SCREW, 6 - 32 X 1/4
36	F286772-1		1	CLAMP STATOR PLATE COMPLETE, ORDER COMPONENT PARTS

CARBURETOR

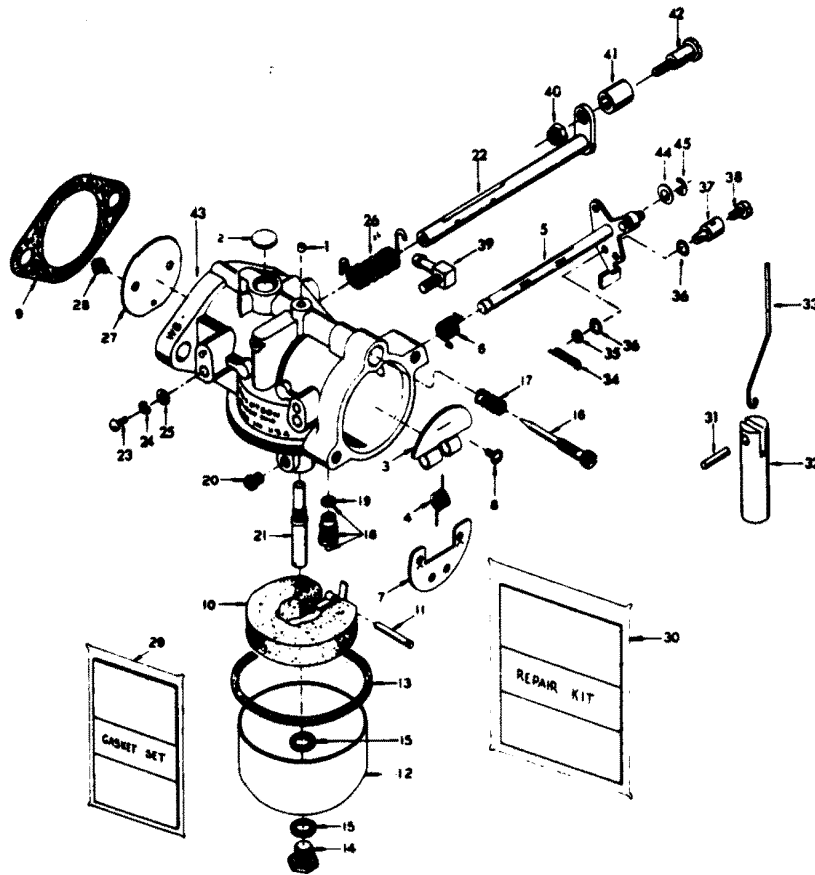


CARBURETOR

REF. NO.	PART NO.	SYM.	QTY.	DESCRIPTION
1	FO10588		1	BODY CHANNEL CUP PLUG
2	FO4326		1	BODY CHANNEL WELCH PLUG
3	FO12251		1	CHOKE RELIEF VALVE
4	FO10883		1	CHOKE RELIEF VALVE SPRING
5	FO16562		1	CHOKE SHAFT AND LEVER
6	FO16397		1	CHOKE SHAFT RETURN SPRING
7	FO12250		1	CHOKE SHUTTER
8	FO10280		2	CHOKE SHUTTER RETAINING SCREW AND LOCKWASHER
9	F40906-1		1	FLANGE GASKET
10	FO13554		1	FLOAT
11	FO13944		1	FLOAT LEVER PIN
12	FO13552		1	FUEL BOWL
13	FO15623		1	FUEL BOWL GASKET
14	FO13945		1	FUEL BOWL RETAINING SCREW
15	FO2510		2	FUEL BOWL RETAINING SCREW GASKET
16	FO14166		1	IDLE MIXTURE SCREW
17	FO11103		1	IDLE MIXTURE SCREW SPRING
18	FO10790		1	INLET NEEDLE, SEAT AND GASKET
19	FO10165		1	INLET SEAT GASKET
20	FO14188		1	MAIN FUEL JET (.066) (STANDARD)
21	FO15213		1	MAIN NOZZLE
22	FO16561		1	THROTTLE SHAFT AND LEVER
23	FO6393		1	THROTTLE SHAFT POSITION RETAINING SCREW
24	FO6396		1	THROTTLE SHAFT POSITION RETAINING SCREW LOCKWASHER
25	FO3804		1	THROTTLE SHAFT POSITION RETAINING SCREW WASHER
26	FO16563		1	THROTTLE SHAFT RETURN SPRING
27	FO17639		1	THROTTLE SHUTTER
28	FO8942		2	THROTTLE SHUTTER RETAINING SCREW AND LOCKWASHER
29	F10025		1	GASKET SET
30	F10027		1	REPAIR PARTS KIT INCLUDES ALL ITEMS MARKED WITH AN ASTERISK (*)
31	F2033		1	GROOVE PIN FOR ELECTRIC START MODELS
32	F391926-1		1	PLUNGER, CHOKE SOLENOID FOR ELECTRIC START MODELS
33	F460925		1	ROD, CHOKE SOLENOID FOR ELECTRIC START MODELS
34	F1014		1	COTTER PIN FOR ELECTRIC START MODELS
35	F8088		1	PLAIN WASHER FOR ELECTRIC START MODELS
36	F184579		2	SEAL, FOR ELECTRIC START MODELS
37	F184033-1		1	SWIVEL, CHOKE ARM FOR ELECTRIC START MODELS
38	F1059		1	FILL HD SCREW, 6 - 32 X 1/4 FOR ELECTRIC START MODELS
39	F84314-2		1	ELBOW
40	F1997		1	LOCK NUT

CONTINUED ON NEXT PAGE ➡

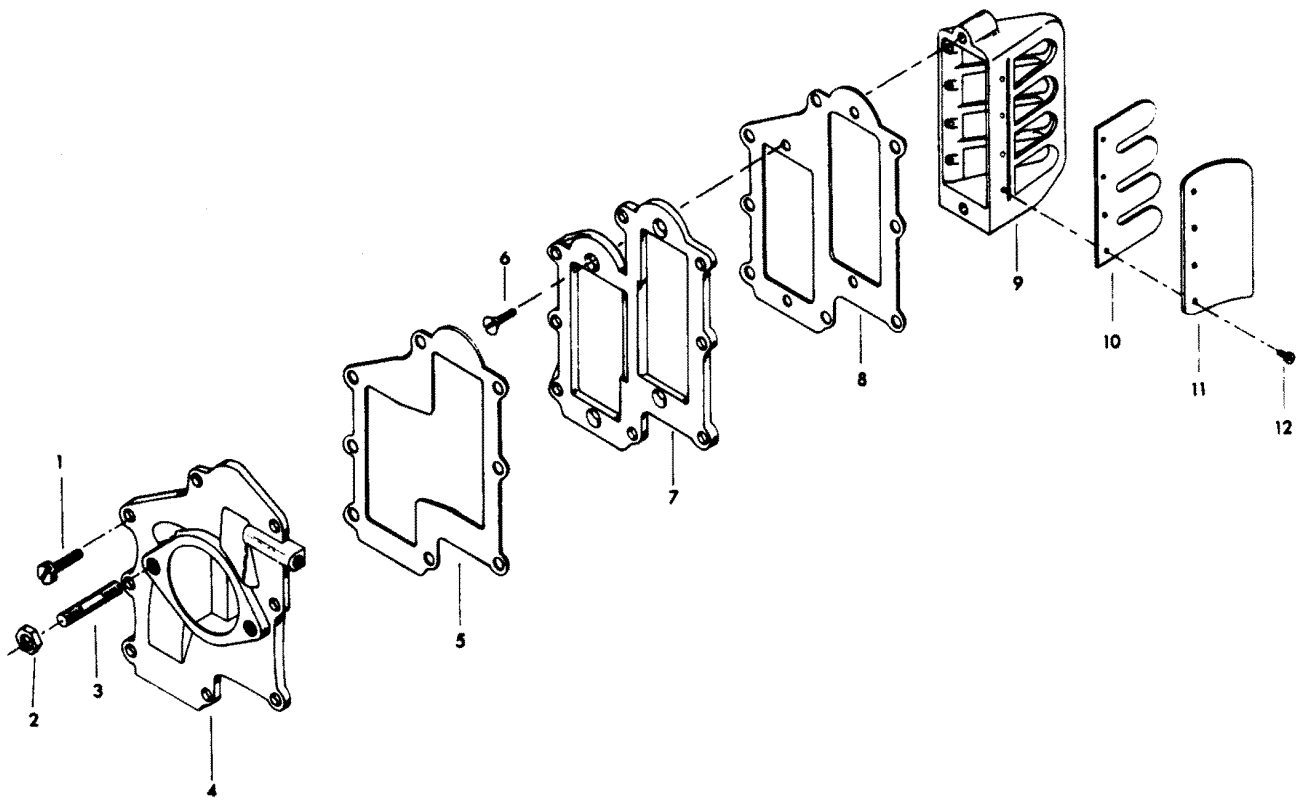
CARBURETOR



CARBURETOR

REF. NO.	PART NO.	SYM.	QTY.	DESCRIPTION
41	F92759		1	ROLLER, THROTTLE CAM FOLLOWER
42	F333316		1	SHAFT, THROTTLE ROLLER
43	F461061-2		1	CARBURETOR COMPLETE (WB19C)
44	F8011		1	PLAIN WASHER FOR MANUAL START MODELS
45	F90807		1	RETAINER, CHOKE ROD FOR MANUAL START MODELS

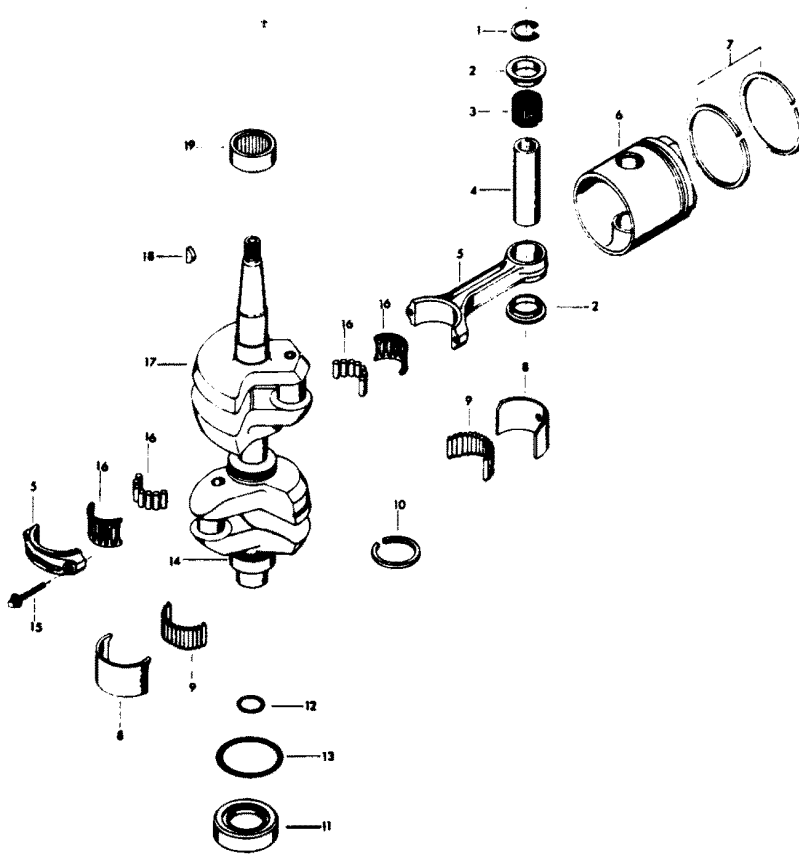
REED PLATE



REED PLATE

REF. NO.	PART NO.	SYM.	QTY.	DESCRIPTION
1	F2008		8	HEX HD SCREW, 1/4 - 20 X 7/8
-	F2008		6	HEX HD SCREW, 1/4 - 20 X 7/8, FOR ALTERNATOR MODELS ONLY
2	F1515		2	HEX NUT, 5/16 - 18
3	F40209		2	CARBURETOR STUD
4	FA458167		1	CARBURETOR ADAPTER
5	F433168		1	GASKET, CARBURETOR ADAPTER W/STUDS
6	F1141		4	FLAT HD SCREW, 10 - 24 X 1/2
7	F433404		1	DEFLECTOR PLATE
8	F433406		1	GASKET, DEFLECTOR PLATE
9	FA458158		2	REED PLATE W/REEDS, STOPS AND SCREWS
10	F316160		4	REED
11	F88161-3		4	REED STOP
12	F1298		16	ROUND HD SCREW W/LOCKWASHER, 6 - 32 X 1/4

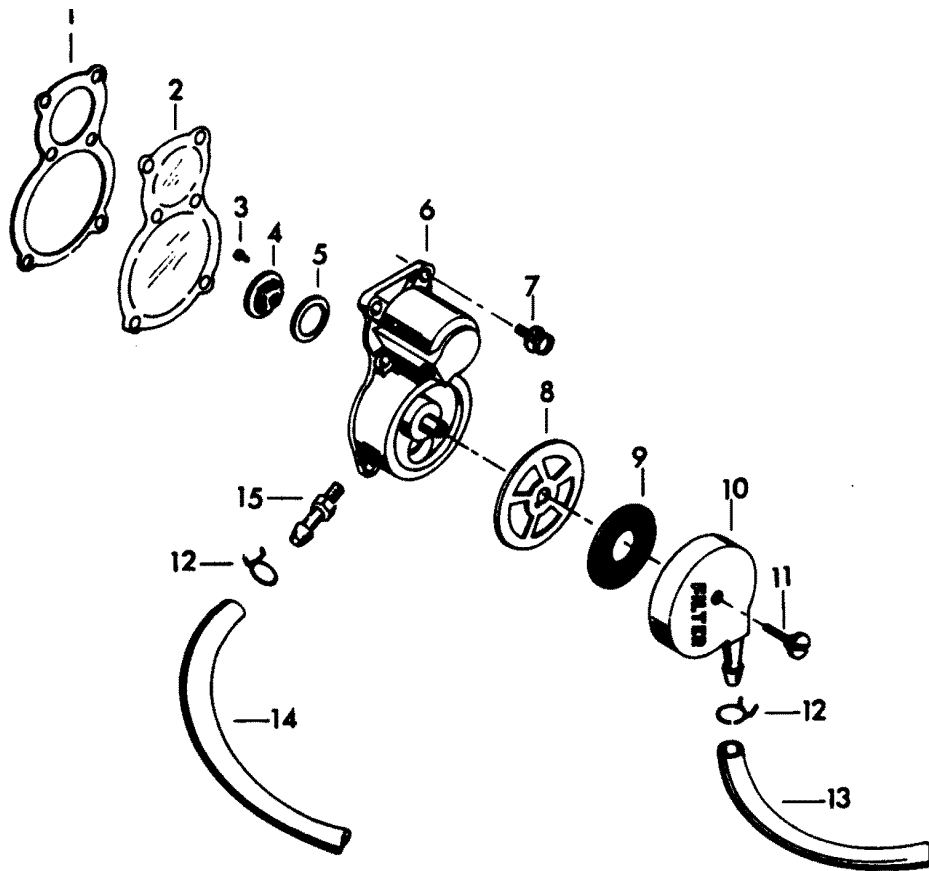
CRANKSHAFT AND PISTON GROUP



CRANKSHAFT AND PISTON GROUP

REF. NO.	PART NO.	SYM.	QTY.	DESCRIPTION
1	F90096		4	RETAINER, PISTON PIN
2	F366215		4	SPACER, PISTON PIN
3	F335217-1		2	BEARING, PISTON PIN
4	F458017		2	PISTON PIN
5	600-818052A4		2	CONNECTING ROD W/CAP AND SCREWS
6	F458015-1		2	PISTON
7	FA458260		1	PISTON RING SET (4 PER SET)
8	FA458655		1	LINER, CENTER MAIN
9	FA458571		1	ROLLER, CENTER MAIN
10	F458579		1	SEAL, CRANKCASE
11	F2A458581		1	COLLAR W/LOWER CRANKSHAFT SEAL
12	F461342		1	SEAL, DRIVESHAFT SPLINE
13	F455305		1	SEAL, CRANKSHAFT COLLAR
14	F286028-1		1	CRANKSHAFT LOWER MAIN BEARING
15	F85634-1		4	SCREW, CONNECTING ROD
16	FK85228		2	BEARING CAGE W/ROLLERS (16 PER SET)
17	400-818058A1		1	CRANKSHAFT W/LOWER MAIN BEARING
-	400-818063A1		1	CRANKSHAFT W/LOWER MAIN BEARING FOR ALTERNATOR MODELS
18	F458498		1	FLYWHEEL KEY
-	F85498		1	FLYWHEEL KEY FOR ALTERNATOR MODELS
19	F458028		1	BEARING, CRANKSHAFT UPPER MAIN
-	FSA458260		1	PISTON RINGS (4 PER SET) .010 OVERSIZE (NOT SHOWN)
-	39-818119A1		1	PISTON RINGS (4 PER SET) .030 OVERSIZE (NOT SHOWN)
-	FSA458015		2	PISTON .010 OVERSIZE (NOT SHOWN)
-	700-818118A1		2	PISTON .030 OVERSIZE (NOT SHOWN)

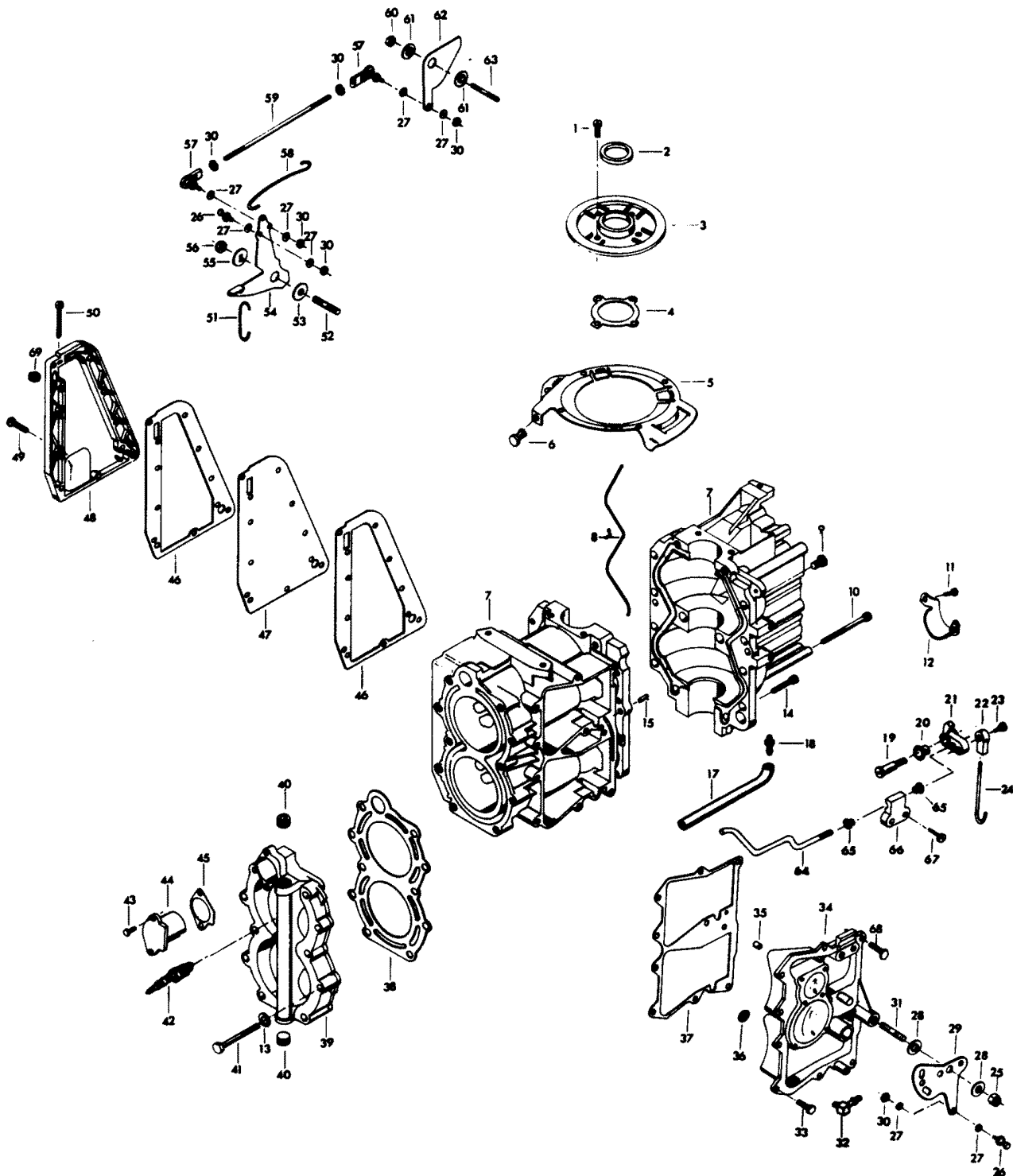
FUEL PUMP



FUEL PUMP

REF. NO.	PART NO.	SYM.	QTY.	DESCRIPTION
1	F438760		1	FUEL PUMP GASKET
2	F438747		1	FUEL PUMP DIAPHRAGM
3	F1860		2	BINDING HD MACHINE SCREW, 6 - 32 X 1/4
4	F177330		3	FUEL PUMP VALVE
5	F84792		3	FUEL PUMP VALVE GASKET
6	FA438431		1	FUEL PUMP BODY W/VALVES
7	F1108		6	FILL HD MACHINE SCREW W/LOCKWASHER, 1/4 - 20 X 3/4
8	F438617		1	GASKET, FUEL PUMP BOWL
9	F438653		1	SCREEN, FUEL PUMP
10	F438500		1	FUEL PUMP BOWL
11	F438165		1	SCREW, FUEL PUMP BOWL
12	F97772		4	FUEL LINE CLAMP
13	FA85754-1		1	HOSE, FUEL PUMP TO BUSHING
14	F458754		1	HOSE, FUEL PUMP TO CARBURETOR
15	F438801		1	FITTING, FUEL PUMP BODY

POWER HEAD

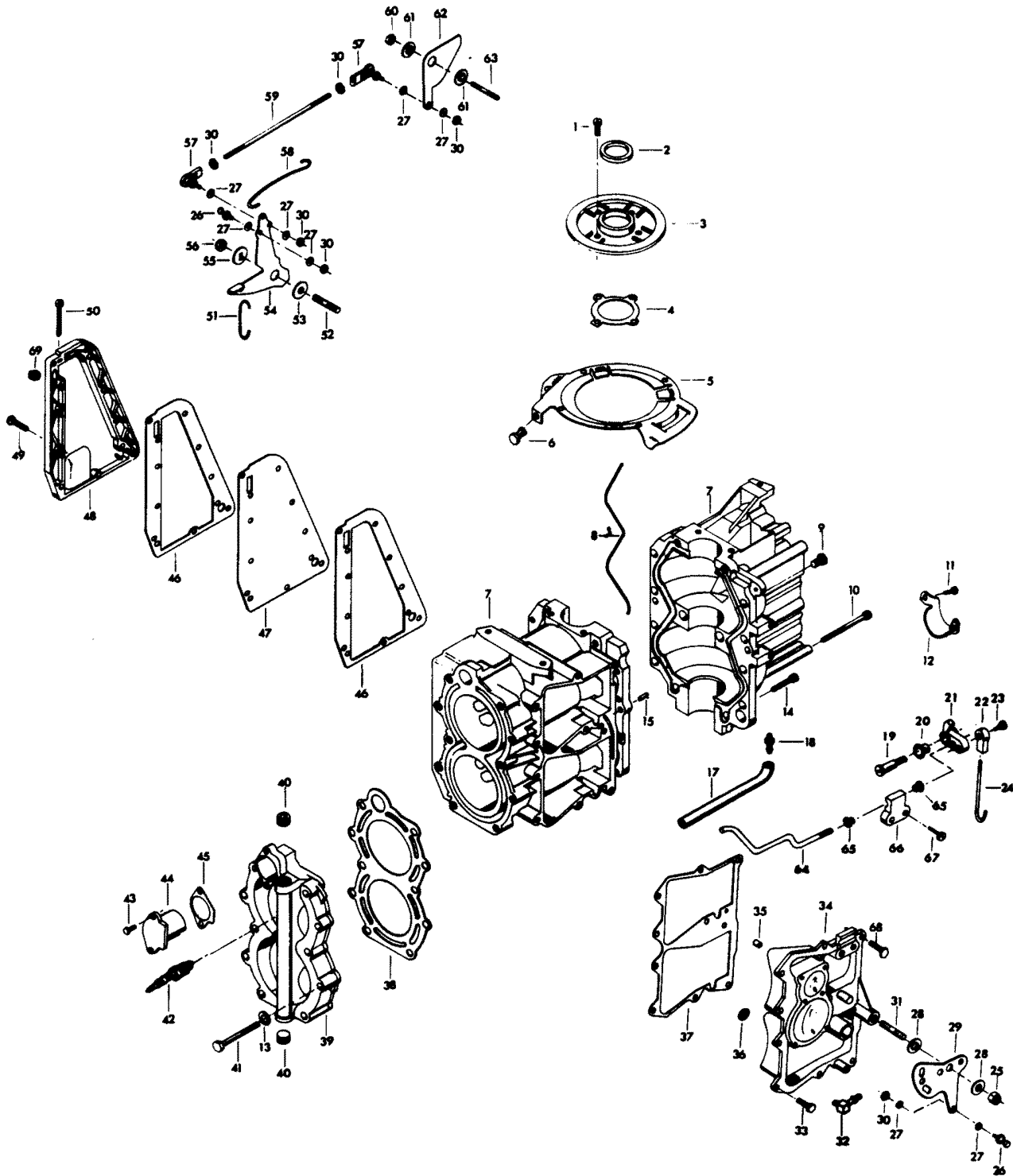


POWER HEAD

REF. NO.	PART NO.	SYM.	QTY.	DESCRIPTION
1	F1107		4	FILL HD SCREW, 1/4 - 20 X 3/4
2	F458146		1	SEAL, CRANKSHAFT UPPER MAIN
3	FA458144		1	CRANKSHAFT BEARING CAGE
4	F458277		1	GASKET, CRANKSHAFT BEARING CAGE
5	FA504082		1	MAGNETO STATOR RING
6	F1727		1	PLASTI-RIVET
7	A458010-1		1	CYLINDER W/CRANKCASE COVER, SCREWS AND DOWEL PINS
8	F269122-1		1	SEAL, CRANKCASE PARTING LINE
9	F1864		8	HEX SLOTTED HD SCREW, 1/4 - 20 X 3/4
10	F2005		2	HEX SOCKET HD CAP SCREW, 5/16 - 18 X 2 3/4
11	F1689		2	HEX CAP SCREW, 1/4 - 20 X 1/2 FOR ELECTRIC START MODELS
12	F460317		1	CLAMP, CHOKE SOLENOID FOR ELECTRIC START MODELS
13	F1987		10	PLAIN WASHER
14	F2013		4	HEX SOCKET HD CAP SCREW, 5/16 - 18 X 1 1/4
15	F8559		2	DOWEL PIN
17	FA458254		1	HOSE, DRAIN
18	F366801		1	FITTING
19	F85026		1	SWIVEL, SHIFT INTERLOCK LEVER
20	F307818		1	BEARING
21	F458977-3		1	LEVER, SHIFT INTERLOCK
22	F84035-2		1	BEARING, SHIFT INTERLOCK ROD
23	F84026		1	SWIVEL, SHIFT INTERLOCK BEARING
24	F458531		1	ROD, SHIFT INTERLOCK
25	F7004		1	LOCK NUT, 3/8 - 16
26	F98273		2	ROD END CONNECTOR STUD
27	F8058		8	INTERNAL TOOTH LOCKWASHER
28	F269052		2	BEARING, SHIFT LEVER
29	817808A2		1	LEVER, GEAR SHIFT
30	F1513		6	HEX NUT, 10 - 32
31	F440209		1	STUD, GEAR SHIFT LEVER
32	F436314-1		1	ELBOW, DRAIN HOSE
33	F1922		1	HEX HD SCREW, 1/4 - 20 X 5/8
34	FA504222		A	TRANSFER PORT COVER W/ITEM 35
35	21-817741A1		2	CHECK VALVE
36	F429811		2	SCREEN, CYLINDER DRAIN
37	F458223		1	GASKET, TRANSFER PORT COVER
38	F458529		1	GASKET, CYLINDER HEAD
39	FA458518		1	CYLINDER HEAD W/PLUGS
40	F458109		2	PLUG, CYLINDER HEAD
41	F458936		10	SCREW, CYLINDER HEAD
42	FS174227		2	SPARK PLUG (L-4-J)

CONTINUED ON NEXT PAGE ➡

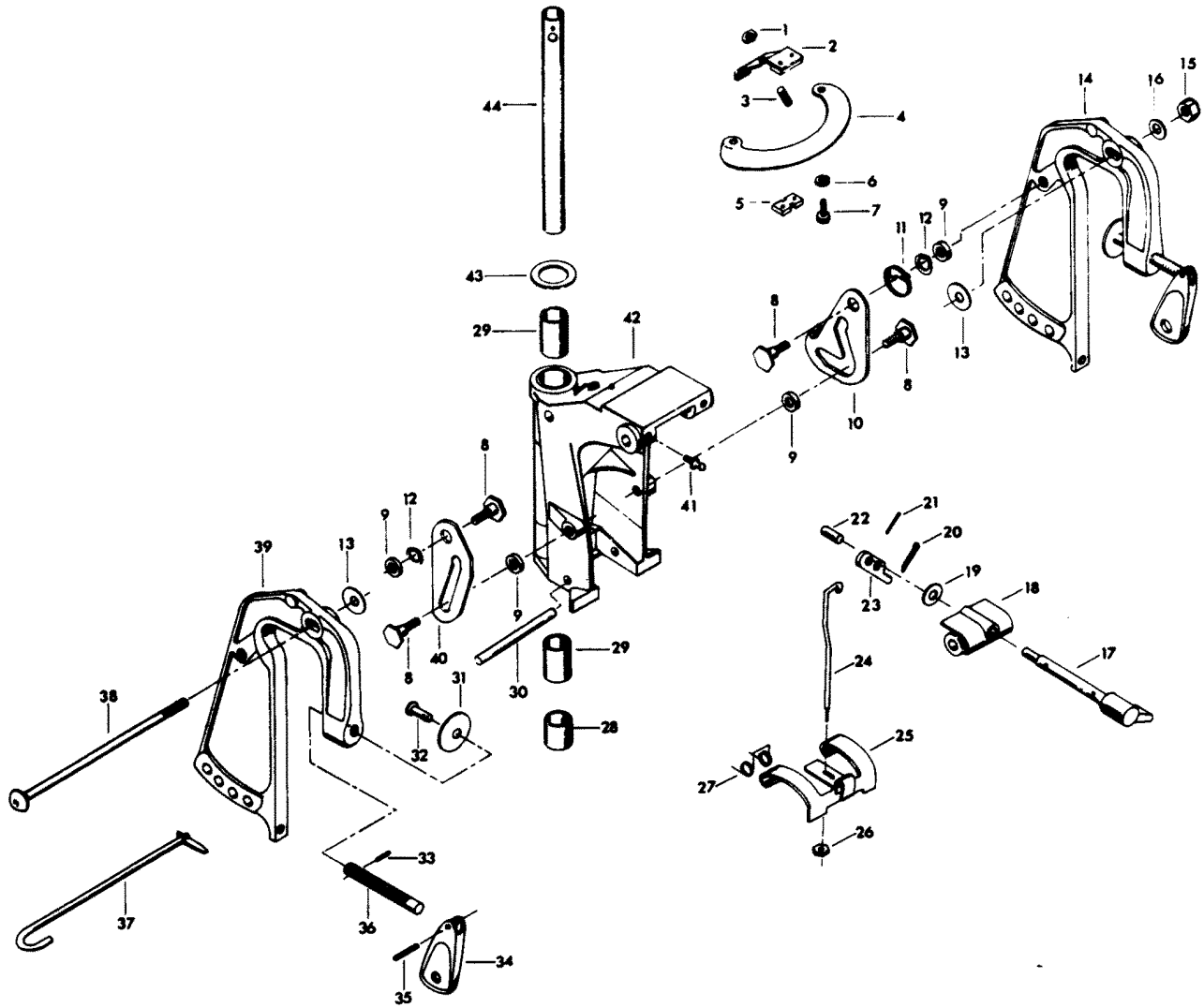
POWER HEAD



POWER HEAD

REF. NO.	PART NO.	SYM.	QTY.	DESCRIPTION
-	FC310227		2	SPARK PLUG (CHAMPION) QL-4J FOR MODELS 252BB, 253BB, 256BA, 257BA
43	F1854		2	HEX CAP SCREW, 1/4 - 20 X 5/8 (HAND START MODELS)
-	F1854		1	HEX CAP SCREW, 1/4 - 20 X 5/8 (ALTERNATOR MODELS)
44	F458066		1	THERMOSTAT COVER
45	F458067		1	GASKET, THERMOSTAT COVER
46	F458154		2	GASKET, EXHAUST PORT PLATE
47	F458151		1	EXHAUST PORT PLATE
48	F458152		1	EXHAUST PORT COVER
49	F1833		10	HEX HD SCREW, 1/4 - 20 X 1
50	F1072		1	FILL HD SCREW, 1/4 - 20 X 1 3/4
51	F458445		1	LINK, MAGNETO CONTROL SHAFT
52	F286440		1	STUD, MAGNETO CONTROL LEVER
53	F183813		1	BEARING
54	F2A458081		1	MAGNETO CONTROL LEVER W/CONNECTOR STUD
55	F286282		1	WASHER
56	F1803		1	STOP NUT
57	817747--1		2	JOINT BALL ASSEMBLY
58	F458509		1	LINK, MAGNETO STATOR
59	F458502		1	ROD, THROTTLE CAM
60	F1910		1	LOCK NUT
61	F269319		2	BEARING, THROTTLE CAM
62	F458192		1	THROTTLE CAM
63	F433209		1	STUD, THROTTLE CAM
64	F504809		1	ROD, STARTER INTERLOCK
65	F504052		2	BEARING
66	F504527		1	CAP, INTERLOCK BEARING
67	F1075		2	FILL HD M. SCREW, 10 - 24 X 1/2
68	F1502		9	HEX CAP SCREW, 1/4 - 20 X 5/8
69	F1341		1	HEX NUT
-	FG1010		1	GASKET SET (NOT SHOWN)
-	C461010-1		1	SHORT BLOCK FOR HAND START MODELS (NOT SHOWN)
-	FC505010		1	SHORT BLOCK FOR ALTERNATOR MODELS (NOT SHOWN) INCLUDES ALL ITEMS MARKED WITH AN ASTERISK (*). ALSO REFER TO CRANKSHAFT PAGE.

SWIVEL BRACKET GROUP

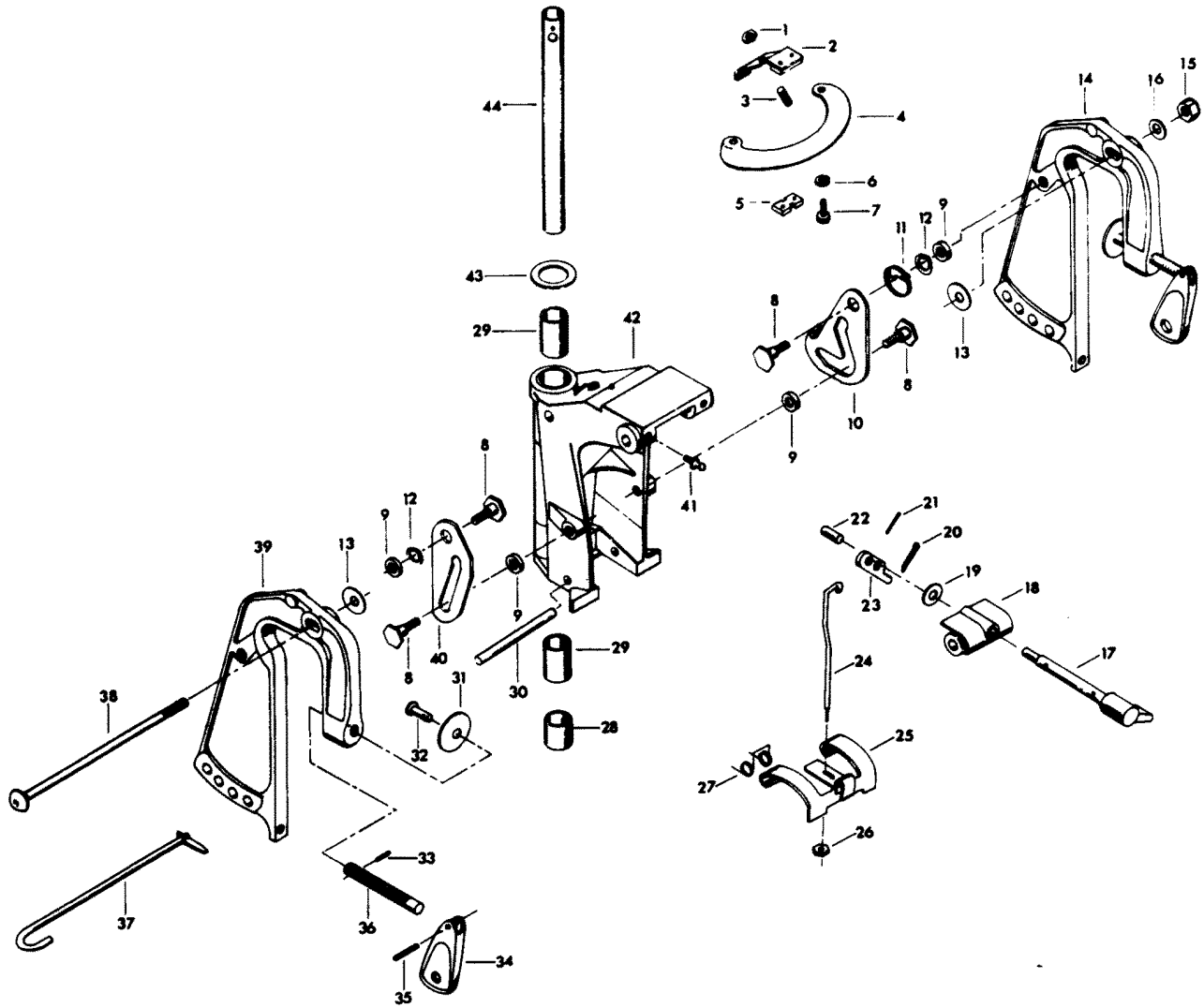


SWIVEL BRACKET GROUP

REF. NO.	PART NO.	SYM.	QTY.	DESCRIPTION
1	F7024		1	STOP NUT
2	817882A1		1	FRICTION SHOE ADJUSTING ARM
3	F901822-1		1	STUD, SWIVEL BRACKET
4	F901775		1	PLATE, FRICTION SHOE
5	F901631-1		1	FRICTION SHOE
6	F8083		2	SPRING LOCKWASHER
7	F1689		2	HEX CAP SCREW, 1/4 - 20 X 1/2
8	F286422-1		4	PIVOT, TILT LOCK
9	F286451		4	SPACER, TILT LOCK
10	F436541		1	TILT LOCK (PORT)
11	F286544-1		1	SPRING, TILT LOCK
12	F1666		2	BOWED SPRING LOCKWASHER
13	F513286		2	WASHER, SWIVEL BRACKET FRICTION
14	S385532		1	STERN BRACKET PORT W/CLAMP SCREW AND FOOT
15	F7001		1	STOP NUT
16	F1656		1	PLAIN WASHER
17	F483827		1	LEVER, REVERSE LOCK
18	F483726		1	BEARING
19	F8094		1	PLAIN WASHER
20	F1014		1	COTTER PIN
21	F1836		1	SPRING PIN
22	F483884		1	BEARING
23	F366364		1	ARM, REVERSE LOCK
24	F483510		1	LINK, REVERSE LOCK
25	F483349-1		1	REVERSE LOCK
26	F1669		1	NUT
27	F483300		1	SPRING
28	F183990		1	SPACER, KINGPIN
29	F901169-1		2	BEARING, SWIVEL BRACKET
30	F2095		1	SPRING PIN
31	F24074		2	CLAMP SCREW FOOT
32	F66480		2	STUD
33	F8537		2	SPRING PIN
34	F288075		2	HANDLE, STERN BRACKET CLAMP SCREW
35	F1638		2	SPRING PIN
36	817776A3		1	STERN BRACKET CLAMP SCREW W/FOOT, STUD AND HANDLE
37	FA324113		1	STERN BRACKET LOCK BAR W/END
38	F145037-1		1	PIVOT BOLT
39	S385032		1	STERN BRACKET STARBOARD W/CLAMP SCREW AND FOOT
40	F385433		1	TILT STOP

CONTINUED ON NEXT PAGE ➡

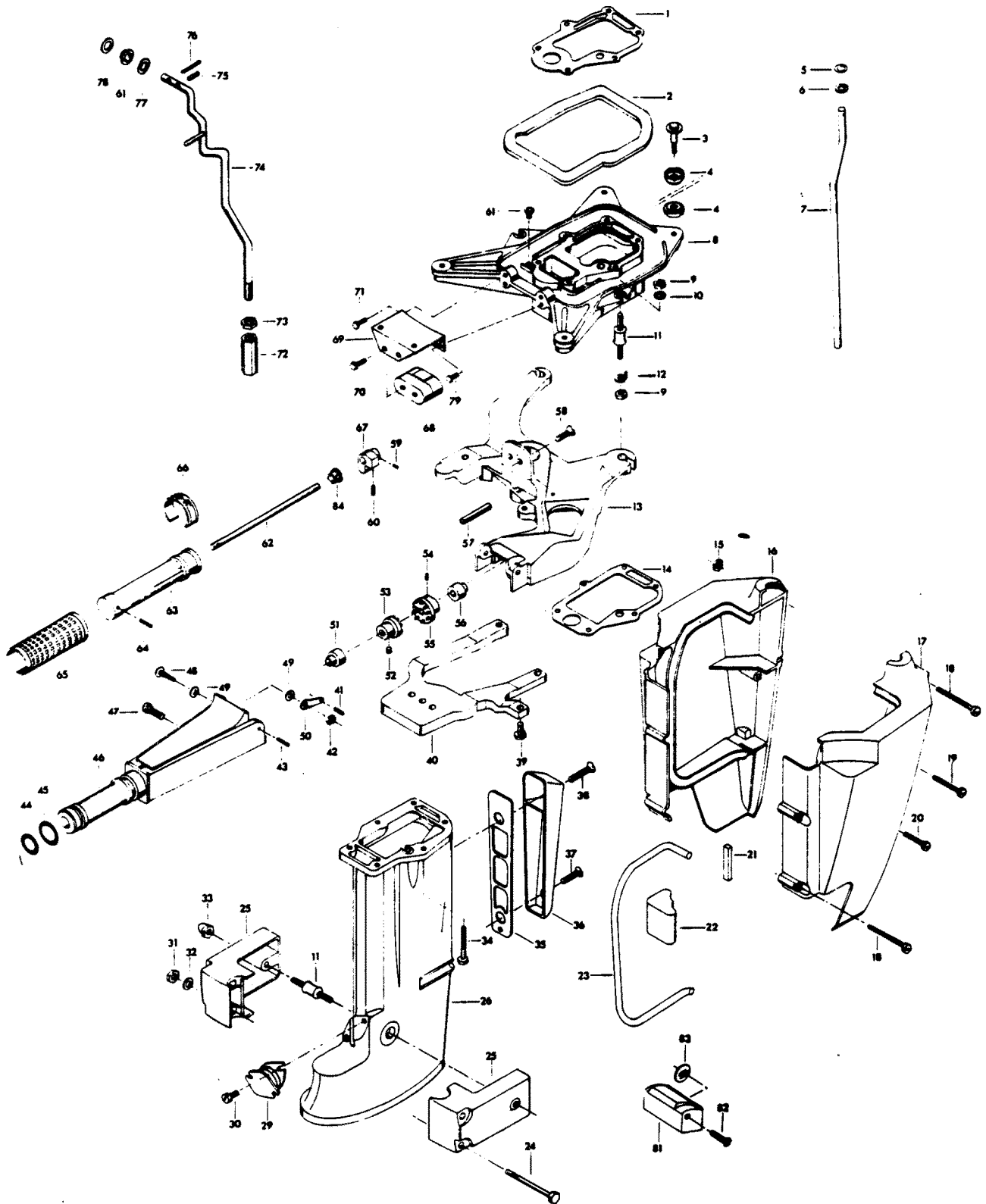
SWIVEL BRACKET GROUP



SWIVEL BRACKET GROUP

REF. NO.	PART NO.	SYM.	QTY.	DESCRIPTION
41	F213274		3	GREASE FITTING
42	FA483072		1	SWIVEL BRACKET W/BEARINGS AND GREASE FITTINGS
43	F901011		1	WASHER, SWIVEL BRACKET
44	F190019-1		1	KINGPIN
-	F369390-1		1	DECAL, REVERSE LOCK (NOT SHOWN)

MOTOR LEG

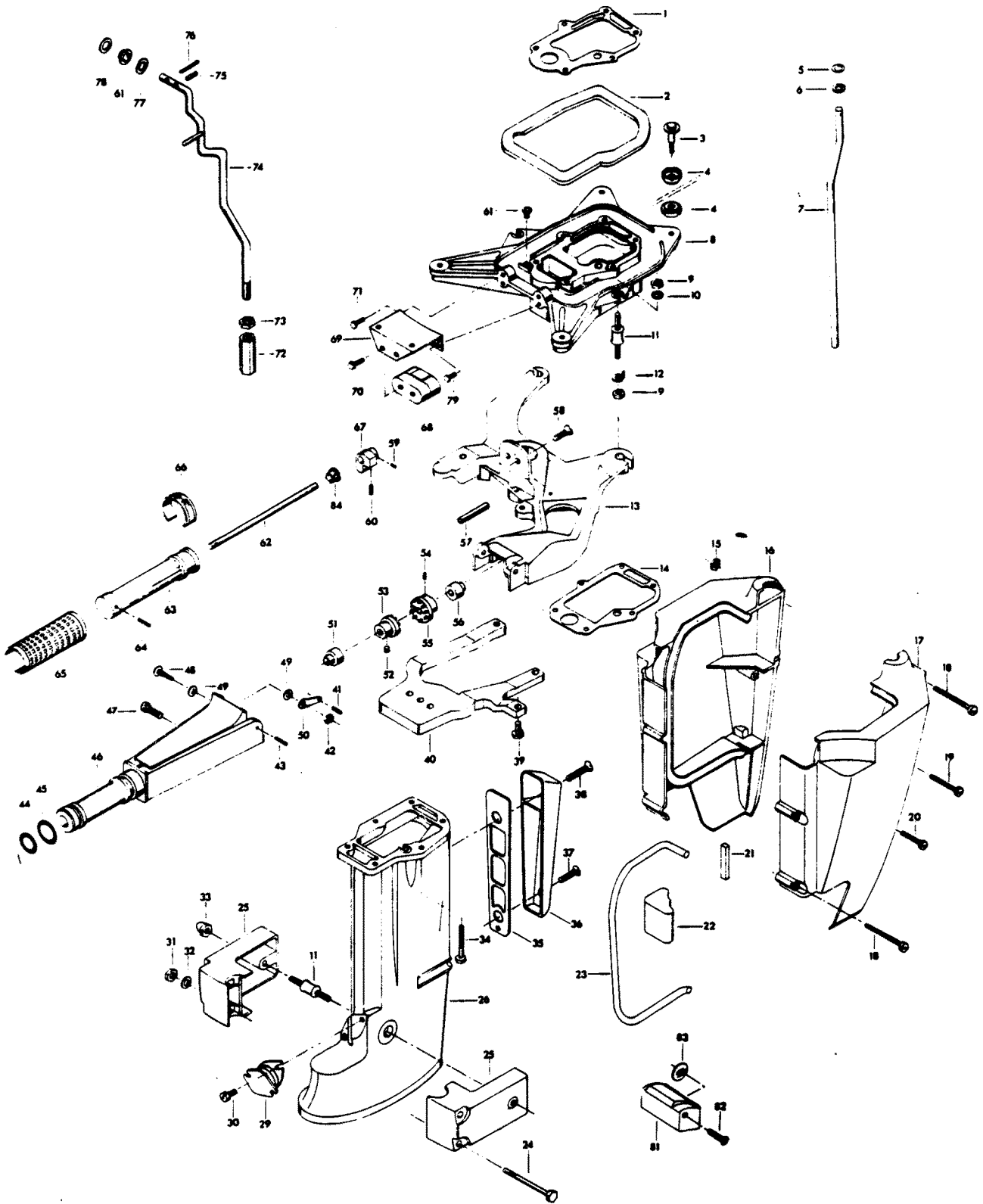


MOTOR LEG

REF. NO.	PART NO.	SYM.	QTY.	DESCRIPTION
1	F458279		1	GASKET, CYLINDER EXHAUST
2	F183756-1		1	PACKING, SUPPORT PLATE
3	F458887		4	FASTENER, SUPPORT PLATE MOUNT
4	F458347		8	MOUNT, SUPPORT PLATE
5	F24342		1	SEAL, WATER LINE UPPER
6	F2014		1	PLAIN WASHER
7	F142244		1	INLET WATER LINE
8	F458963		1	PLATE, SHOCK MOUNT
9	F1346		4	HEX NUT, 3/8 - 16
10	F1778		2	PLAIN WASHER
11	F458962		4	SHOCK MOUNT
12	F458076		2	TAB, SHOCK MOUNT SIDE
13	817809A1		1	PLATE, KINGPIN MOUNTING
14	F458453		1	GASKET, LEG EXHAUST
15	F1473		5	HEX NUT
16	F2A436145		1	MOTOR LEG COVER, STARBOARD W/PACKING
17	F2A436135		1	MOTOR LEG COVER, PORT W/PACKING
18	F1810		3	FILL HD SCREW, 10 - 24 X 2 1/2
19	F1811		1	FILL HD SCREW, 10 - 24 X 1 7/8
20	F1768		1	FILL HD SCREW, 10 - 24 X 1 3/8
21	F190323-1		1	PACKING, LEG COVER UPPER FRONT
22	F436322		2	PACKING, LEG COVER LOWER FRONT
23	F190321-1		2	PACKING, LEG COVER
24	F1491		2	HEX CAP SCREW, 5/16 - 18 X 3 1/4
25	F461707-1		2	COVER, SHOCK MOUNT LOWER
26	F461133-2		1	MOTOR LEG
29	F183346-1		1	SHOCK MOUNT LOWER THRUST
30	F1129		2	FILL HD SCREW, 5/16 - 18 X 1/2
31	F1515		2	HEX NUT, 5/16 - 18
32	F8096		2	SPRING LOCKWASHER
33	F2009		2	ACORN NUT, 3/8 - 16
34	F458166-2		6	SCREW, MOTOR LEG TO CYLINDER
35	F190833		1	GASKET, MOTOR LEG EXHAUST COVER
36	F190832-2		1	COVER, MOTOR LEG EXHAUST
37	F1150		1	FLAT HD SCREW, 1/4 - 20 X 1 1/8
38	F1148		1	FLAT HD SCREW, 1/4 - 20 X 1 1/2
39	F1745		3	HEX HD SCREW W/SPRING LOCKWASHER, 5/16 - 18 X 1
40	F385647		1	CARRYING HANDLE
41	F8550		1	SPRING PIN FOR MANUAL START MODELS
42	F1832		1	LOCK NUT FOR MANUAL START MODELS
43	F1664		1	SPRING PIN FOR MANUAL START MODELS
44	F215795		1	SEAL, STEERING HANDLE GRIP FOR MANUAL START MODELS

CONTINUED ON NEXT PAGE ➡

MOTOR LEG

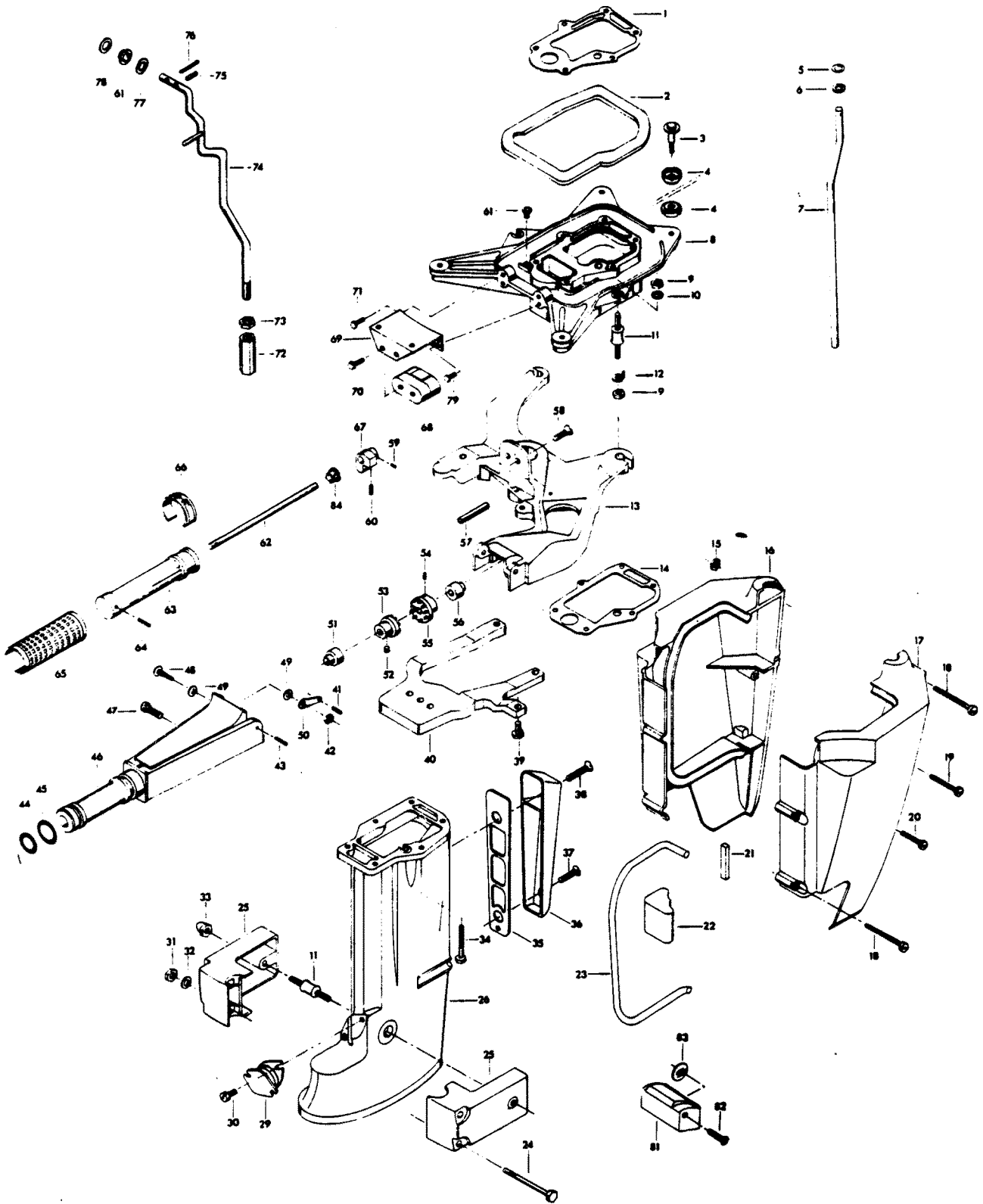


MOTOR LEG

REF. NO.	PART NO.	SYM.	QTY.	DESCRIPTION
45	F53795-1		1	SEAL, STEERING HANDLE GRIP FOR MANUAL START MODELS
46	F458079		1	STEERING HANDLE FOR MANUAL START MODELS
47	F458519		1	SCREW, TILLER IDLE STOP FOR MANUAL START MODELS
48	F295080		1	STEERING HANDLE PIVOT BOLT FOR MANUAL START MODELS
49	F295175		2	WASHER, STEERING HANDLE PIVOT BOLT FOR MANUAL START MODELS
50	F295457		1	WASHER, RETAINING STEERING HANDLE PIVOT BOLT FOR MANUAL START MODELS
51	F295689		1	BEARING, STEERING HANDLE GEAR FOR MANUAL START MODELS
52	F1954		1	HEX SOCKET HEADLESS SET SCREW, 5/16 - 24 X 1/4, FOR MANUAL START MODELS
53	FA413815		1	GEAR, STEERING HANDLE W/SET SCREW FOR MANUAL START MODELS
54	F1642		1	SOCKET HD CAP SCREW, 10 - 24 X 3/4 FOR MANUAL START MODELS
55	F288691		1	GEAR, MAGNETO CONTROL SHAFT FOR MANUAL START MODELS
56	F288689		1	BEARING, MAGNETO CONTROL SHAFT FOR MANUAL START MODELS
57	F1663		1	SPRING PIN
58	F1160		2	FLAT HD SCREW, 1/4 - 28 X 5/8
59	F1978		1	SPRING PIN FOR MANUAL START MODELS
60	F458690		1	SCREW, THROTTLE STOP FOR MANUAL START MODELS
61	F85610		2	BEARING
62	F458688		1	SHAFT, STEERING HANDLE FOR MANUAL START MODELS
63	FA456137		1	STEERING HANDLE GRIP W/SLEEVE FOR MANUAL START MODELS
64	F8548		1	SPRING PIN FOR MANUAL START MODELS
65	F458695		1	SLEEVE, STEERING HANDLE GRIP FOR MANUAL START MODELS
66	F286894-3		1	INDICATOR, SPEED CONTROL FOR MANUAL START MODELS
67	F458198		1	THROTTLE STOP FOR MANUAL START MODELS
68	F203965		1	SHOCK MOUNT UPPER THRUST
69	F40956		1	BRACKET, SHOCK MOUNT UPPER THRUST
70	F1211		2	HEX HD SCREW W/SPRING LOCKWASHER, 1/4 - 28 X 5/8
71	F1472		2	SLOTTED HEX CAP SCREW W/SPRING LOCKWASHER, 1/4 - 20 X 3/4
72	F901704		1	COUPLING, GEAR SHIFT ROD
73	F1341		1	HEX NUT, 1/4 - 20
74	F461615		1	GEAR SHIFT ROD UPPER
75	F1978		1	SPRING PIN
76	F1020		1	COTTER PIN
77	F8049		1	BOWED WASHER
78	F1987		1	PLAIN WASHER

CONTINUED ON NEXT PAGE ➡

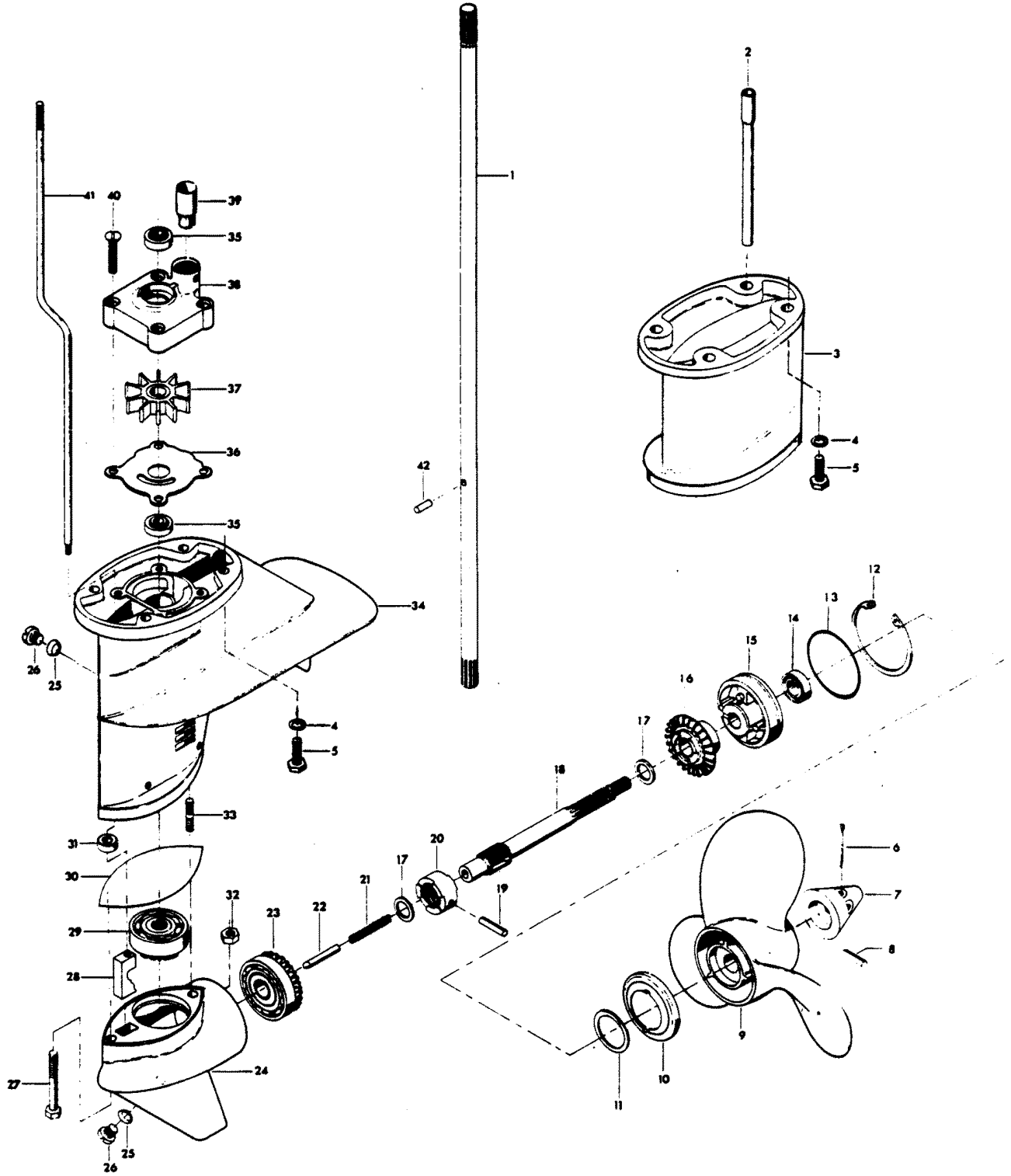
MOTOR LEG



MOTOR LEG

REF. NO.	PART NO.	SYM.	QTY.	DESCRIPTION
79	F1502		2	HEX CAP SCREW, 1/4 - 20 X 5/8
81	F460686		1	COVER, KING PIN MOUNTING PLATE FOR ELECTRIC START MODELS
82	F2011		2	PAN HD SCREW, 1/4 - 20 X 1 1/4 FOR ELECTRIC START MODELS
83	F2018		2	SPEED NUT FOR ELECTRIC START MODELS
84	F85610		1	BEARING, FOR MANUAL START MODELS

GEAR HOUSING

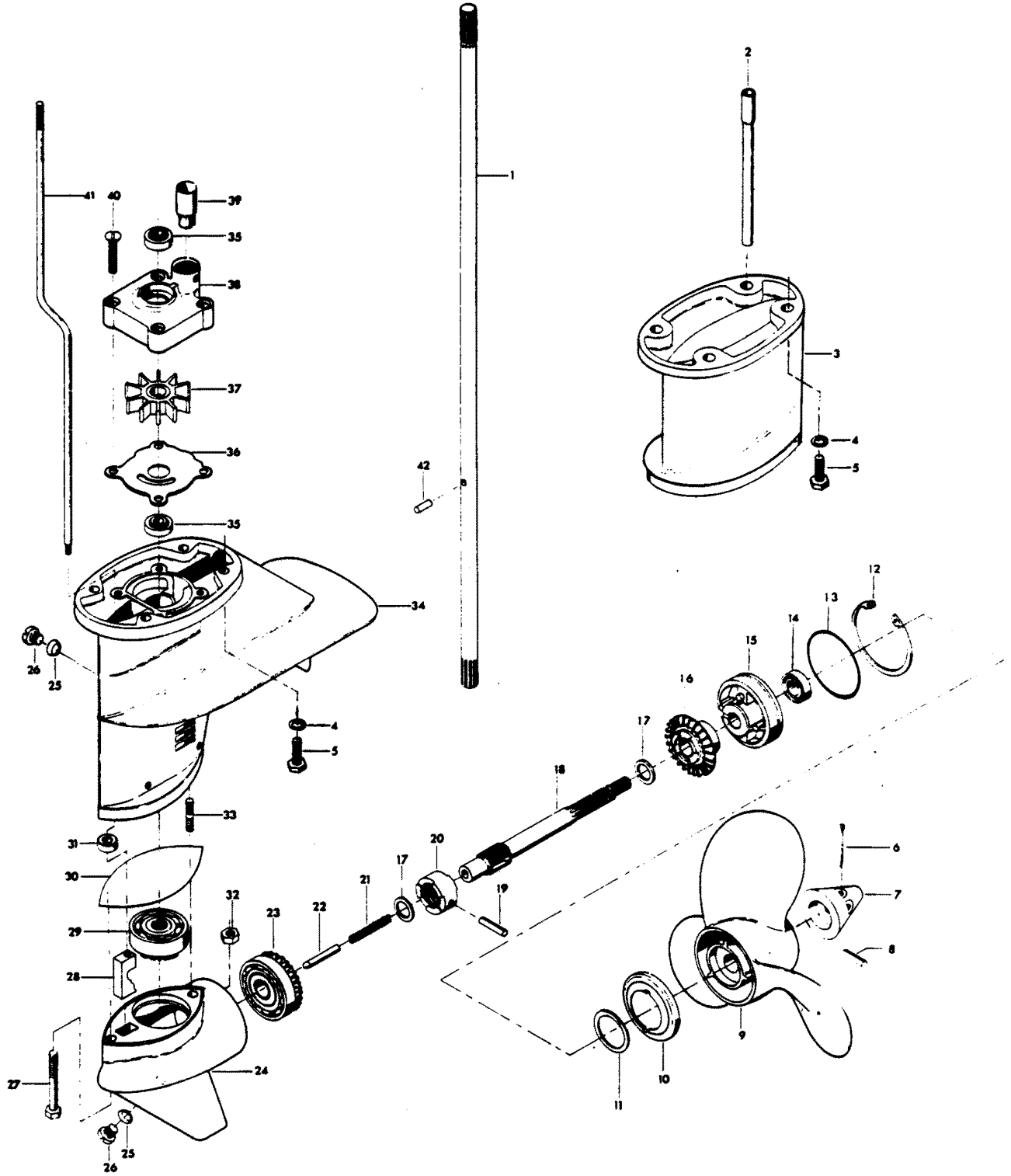


GEAR HOUSING

REF. NO.	PART NO.	SYM.	QTY.	DESCRIPTION
1	F436128		1	DRIVESHAFT FOR STANDARD SHAFT MODELS
-	F437128		1	DRIVESHAFT FOR LONG SHAFT MODELS
2	FS901244		1	EXTENSION, INLET WATER LINE
3	F461845		1	MOTOR LEG EXTENSION
4	F8096		8	SPRING LOCKWASHER
5	F2019		8	HEX CAP SCREW, 5/16 - 18 X 1 1/4
6	F1024		1	COTTER PIN
7	F461094-1		1	PROPELLER NUT
8	FA324101		1	PROPELLER PIN PACK OF 3 W/COTTER PIN
9	P346		1	PROPELLER (ACCESSORY ITEM)
10	F54262		1	WEED GUARD
11	F53983		1	RETAINING RING, WEED GUARD
12	F50411		1	RETAINING RING
13	F74305		1	SEAL, PROP SHAFT BEARING CAGE
14	F346118		1	SEAL, PROPELLER SHAFT
15	FA324298		1	PROP SHAFT BEARING CAGE W/BEARING AND ITEM 14
16	FA437662		1	BEVEL GEAR REAR W/BEARING
17	F456717		2	THRUST WASHER, BEVEL GEAR
18	FA437098		1	PROPELLER SHAFT
19	F1970		1	SPRING PIN
20	F437521		1	CLUTCH
21	F437719		1	CLUTCH SPRING
22	F901728		1	CLUTCH SHIFT PIN
23	FA437023		1	BEVEL GEAR FRONT W/BEARING
24	FK78054-4		1	GEAR HOUSING LOWER W/PLUG AND WASHER
25	F8077		2	WASHER, GEAR HOUSING PLUG
26	F50109		2	PLUG, GEAR HOUSING
27	F1888		1	HEX SOCKET HD CAP SCREW, 5/16 - 18 X 2 5/16
28	F901721		1	CLUTCH SHIFT CAM
29	FA78266-1		1	BEVEL PINION W/BEARING
30	F483555		1	SEAL, GEAR HOUSING
31	F338618-1		1	SEAL, GEAR SHIFT ROD LOWER
32	F1515		1	FINISHED HEX NUT, 5/16 - 18
33	F901008		1	STUD, GEAR HOUSING
34	A190554-4		1	GEAR HOUSING UPPER W/ITEMS 25, 26, 31 AND 35
35	F901307-2		2	SEAL, DRIVESHAFT AND WATER PUMP
36	F341562		1	BACK PLATE, WATER PUMP
37	F436065		1	IMPELLER, WATER PUMP
38	FK504060		1	WATER PUMP BODY W/ITEM 35 ORIGINAL FORCE P/N A343060-1
39	FA510914		1	SEAL, WATER LINE LOWER

CONTINUED ON NEXT PAGE ➡

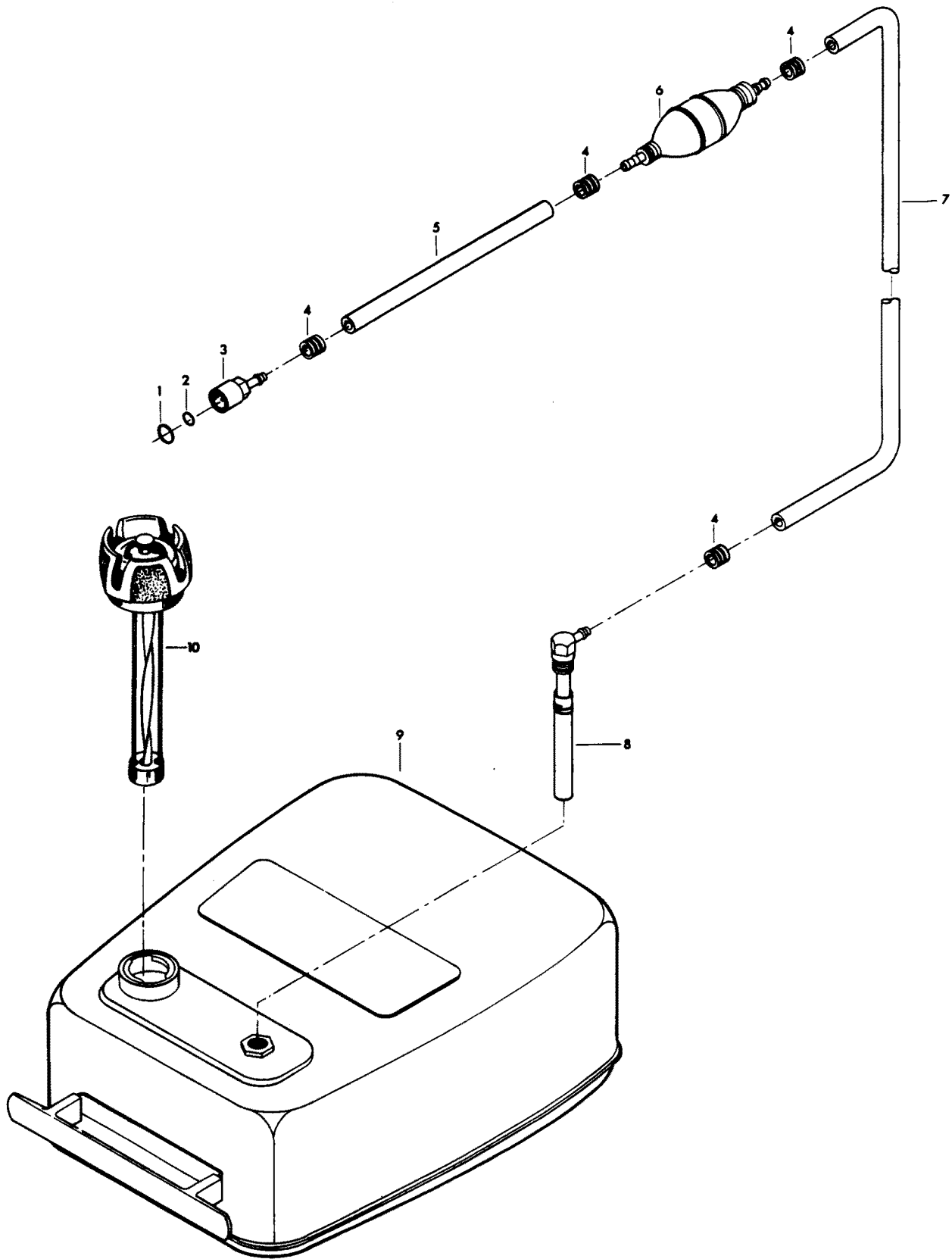
GEAR HOUSING



GEAR HOUSING

REF. NO.	PART NO.	SYM.	QTY.	DESCRIPTION
40	F1150		4	FLAT HD SCREW, 1/4 - 20 X 1 1/8
41	F901705-3		1	GEAR SHIFT ROD LOWER FOR STANDARD SHAFT MODELS
-	F911705-3		1	GEAR SHIFT ROD LOWER FOR LONG SHAFT MODELS
42	F901563		1	DRIVE PIN, WATER PUMP IMPELLER
-	1600-817898A1		1	LOWER GEAR HOUSING COMPLETE (NOT SHOWN) (INCLUDES ALL ITEMS MARKED WITH AN ASTERISK (*)) ORIGINAL FORCE P/N C461054-1

FUEL TANK AND LINE



FUEL TANK AND LINE

REF. NO.	PART NO.	SYM.	QTY.	DESCRIPTION
1	F213342		1	SEAL, FUEL LINE COUPLER
2	F213735		1	SEAL, FUEL LINE COUPLER
3	F197787-2		1	FUEL LINE COUPLER
4	F298788		4	FERRULE
5	FA84754-1		1	FUEL LINE SHORT W/CLAMPS
6	89396A38		1	PRIME BULB
7	32-817738A1		1	FUEL LINE LONG W/CLAMPS AND FERRULE
8	F487755		1	FUEL TANK ADAPTER
9	F71H09		1	FUEL TANK (ACCESSORY ITEM)
10	F409251-1		1	GAUGE CAP
-	FS409752		1	FUEL LINE COMPLETE (NOT SHOWN)

SPECIAL TOOLS - TUNE-UP

REF. NO.	PART NO.	SYM.	QTY.	DESCRIPTION
-	FT2910		0	KNOCK-OFF NUT TO REMOVE FLYWHEEL
-	FTA2937-1		0	TIMING TOOL TO ADJUST SPARK ADVANCE
-	T8974		0	POINT TENSION GAUGE TO MEASURE BREAKER POINT SPRING TENSION

SPECIAL TOOLS - POWER HEAD

REF. NO.	PART NO.	SYM.	QTY.	DESCRIPTION
-	FT8971		0	SEAL INSTALLER TO INSTALL UPPER CRANKSHAFT BEARING CAGE SEAL
-	FT8967		0	SEAL PROTECTOR TO PROTECT UPPER CRANKSHAFT BEARING CAGE SEAL DURING INSTALLATION
-	FT2953		0	SOCKET TO TORQUE CONNECTING ROD SCREWS
-	FT2990		0	PISTON PIN REMOVER TO REMOVE AND INSTALL PISTON PIN IN PISTON
-	FT8926		0	RING EXPANDER TO INSTALL RINGS ON PISTONS
-	FT2996		0	RING COMPRESSOR TO INSTALL PISTONS IN CYLINDERS
-	FT8977		0	SEAL COLLAR INSTALLER TO INSTALL CRANKSHAFT LOWER SEAL COLLAR
-	FT8976		0	SEAL PROTECTOR TO PROTECT CRANKSHAFT LOWER SEAL DURING INSTALLATION.

SPECIAL TOOLS - LOWER UNIT

REF. NO.	PART NO.	SYM.	QTY.	DESCRIPTION
-	FT8948-1		0	PROPELLER SHAFT BEARING CAGE PULLER TO REMOVE PROPELLER SHAFT BEARING CAGE FROM LOWER GEAR HOUSING
-	FT8919		0	SPRING PIN PUNCH TO REMOVE CLUTCH SPRING PIN
-	FT2907		0	DRIVESHAFT SEAL INSTALLER TO INSTALL DRIVESHAFT SEAL
-	FT8957		0	SEAL INSTALLER TO INSTALL SHIFT ROD SEAL

SPECIAL TOOLS - TEST EQUIPMENT

REF. NO.	PART NO.	SYM.	QTY.	DESCRIPTION
-	FT8968A		0	TEST WHEEL TO TEST MOTOR IN TEST TANK
-	FT8932		0	LIFTING HOOK TO LIFT ENGINE
-	FT8950		0	LEAKAGE TESTER TO TEST LOWER UNIT FOR LEAKAGE

ACCESSORIES

REF. NO.	PART NO.	SYM.	QTY.	DESCRIPTION
-	F75H09		0	BATTERY CABLE LONGER LENGTH - 15 FEET
-	F70H01		0	ANTI-CORROSION KIT ELECTRICAL UNIT USED TO HELP PREVENT CORROSION.
-	F71H02		0	ANTI-CORROSION SACRIFICIAL ANODE USED TO HELP PREVENT CORROSION.
-	72H13		0	BATTERY, 74 AMP TWELVE VOLT HEAVY DUTY BATTERY TO OPERATE STARTER AND ELECTRICAL ACCESSORIES.
-	172		0	BATTERY CASE HEAVY PLASTIC CASE WITH TIE DOWN STRAPS. PROTECTS BATTERY FROM DAMAGE.
-	F70H05		0	BATTERY EXTENSION CABLE USED TO EXTEND BATTERY CABLE 6 1/2 FEET.
-	493		0	HANDLE PROVIDES REAR HANDLE AND REST PADS.
-	F70H03		0	CARRYING HANDLE PERMITS EASIER TRANSPORTATION OF ENGINE TO AND FROM BOAT (2 MAN).
-	F588		0	FLUSHING ADAPTER PERMITS FRESH WATER FLUSHING OF WATER PASSAGES WITH STANDARD GARDEN HOSE.
-	71H07		0	FUEL GAUGE FLUSH MOUNT MONITORS FUEL SUPPLY. ELECTRIC START MODELS.
-	71H24		0	FUEL GAUGE SURFACE MOUNT MONITORS FUEL SUPPLY. ELECTRIC START MODELS.
-	F71H10		0	SENDING UNIT FOR USE WITH ABOVE FUEL GAUGES.
-	F72H35		0	WATER PUMP KIT HEAVY DUTY WATER PUMP RECOMMENDED FOR CONTINUED OPERATION IN SANDY OR SALT WATER.
-	72H31		0	FROST WHITE LACQUER ENGINE TOUCH-UP PAINT IN 16 OZ. SPRAY BOMBS (12 CANS PER CASE).
-	72H32		0	GOLD LACQUER ENGINE TOUCH-UP PAINT IN 16 OZ. SPRAY BOMBS (12 CANS PER CASE).
-	F476		0	FUEL LINE ADAPTION KIT ADAPTS MODEL 71H09 FUEL TANK FOR DISCONNECT AT TANK.
-	F71H09		0	STEEL, 6 GALLON FUEL TANK AUXILLIARY TANK.
-	F71H12		0	FUEL TANK ANCHOR SECURES 71H09 TO DECK.
-	73H02		0	CANVAS HOOD PROTECTION FOR ENGINE COVER.
-	F73H11		0	REMOTE ELECTRIC CABLE 21 FEET
-	F71H04		0	SPEEDOMETER FLUSH MOUNT 0 TO 50 M.P.H.
-	F74H05		0	OVERHEAT BUZZER KIT FOR ELECTRIC START MODELS. WARNS OF ENGINE OVERHEATING.
-	167		0	IGNITION CUT-OFF KIT ALLOWS STOPPING OF ALL MAGNETO ENGINES FROM DASH.
-	478		0	IGNITION LAMP KIT FOR ALTERNATOR ENGINES. TELLS WHEN IGNITION SWITCH IS IN "ON" POSITION.
-	F74H19		0	IGNITION KEY SWITCH FOR ELECTRIC START MODELS SHORT BARREL.
-	F74H20		0	IGNITION KEY SWITCH FOR ELECTRIC START MODELS LONG BARREL.
-	FK1025		0	LONG LEG CONVERSION KIT CONVERTS 15" STANDARD SHAFT MODELS TO 20" LONG SHAFT MODELS.
-	70H24		0	RACING STRIPE KIT ORANGE STRIPING FOR ENGINE COVER.

CONTINUED ON NEXT PAGE ➡

ACCESSORIES

REF. NO.	PART NO.	SYM.	QTY.	DESCRIPTION
-	70H25		0	RACING STRIPE KIT BLUE STRIPING FOR ENGINE COVER.
-	F195/___		0	REMOTE CONTROL CABLE CONNECTS REMOTE CONTROL BOX TO THROTTLE AND GEAR SHIFT ON MOTOR. AVAILABLE IN 6 THROUGH 20 FOOT LENGTHS.
-	F72H36		0	REMOTE CONTROL SURFACE MOUNT (SINGLE LEVER) PERMITS REMOTE CONTROL OF THROTTLE AND GEAR SHIFT FROM STARBOARD SIDE OF BOAT.
-	73H08		0	PORT SIDE DECAL KIT CONVERTS 72H36 CONTROL BOX TO PORT SIDE MOUNTING.
-	F590		0	REMOTE CONTROL FLUSH MOUNT (SINGLE LEVER) PERMITS REMOTE CONTROL OF THROTTLE AND GEAR SHIFT. MAY BE MOUNTED ON PORT OR STARBOARD SIDE OF BOAT.
-	865		0	REMOTE CONTROL SURFACE MOUNT (SINGLE LEVER) PERMITS REMOTE CONTROL OF THROTTLE AND GEAR SHIFT ON TWIN ENGINE INSTALLATION. MAY BE MOUNTED ON PORT OR STARBOARD SIDE OF BOAT.
-	F137		0	REMOTE STEERING BRACKET ADAPTS MOTOR TO CABLE TYPE REMOTE STEERING.
-	F165		0	REMOTE STEERING BRACKET ADAPTS MOTOR TO CABLE TYPE REMOTE STEERING.
-	F166		0	DUAL ENGINE TIE BAR PERMITS DUAL ENGINE INSTALLATION.
-	176		0	SPEEDOMETER SURFACE MOUNT 0 TO 50 M.P.H.
-	74H13		0	TACHOMETER (SURFACE MOUNT) MONITORS ENGINE R.P.M. TO PROVIDE CHECK OF ENGINE PERFORMANCE.
-	F74H09		0	TACHOMETER (FLUSH MOUNT) MONITORS ENGINE R.P.M. TO PROVIDE CHECK OF ENGINE PERFORMANCE.
-	F73H07		0	STARTER CONVERSION CONVERTS HAND START MODELS TO ELECTRIC START.
-	F74H01		0	VOLTMETER FLUSH MOUNT - INDICATES BATTERY CONDITION. ELECTRIC START MODELS.
-	74H02		0	VOLTMETER SURFACE MOUNT - INDICATES BATTERY CONDITION. ELECTRIC START MODELS.

SPECIFICATIONS

REF. NO.	PART NO.	SYM.	QTY.	DESCRIPTION
-			0	HORSEPOWER 25 B.I.A. CERTIFIED BRAKE H.P. AT 5000 R.P.M.
-			0	MOTOR TWO-CYCLE, TWIN CYLINDER, ALTERNATE FIRING.
-			0	BORE AND STROKE 2 13/16" BORE X 2.300" STROKE.
-			0	DISPLACEMENT 28.57 CUBIC INCHES.
-			0	CONNECTING RODS FORGED ALLOY STEEL. CAGED ROLLER BEARINGS AT CRANKSHAFT. CASED NEEDLE BEARINGS AT PISTON PIN.
-			0	CRANKSHAFT FORGED ALLOY STEEL. BALL BEARINGS AT LOWER MAIN. ROLLER BEARINGS AT CENTER AND UPPER MAIN.
-			0	CORROSION PROTECTION ALODINE TREATED CASTINGS, STAINLESS STEEL DRIVESHAFT, PROPELLER SHAFT, GEAR SHIFT ROD AND UNDERWATER FASTENERS.
-			0	FUEL TANK SEPARATE STEEL TANK, 6 U.S. GALLON, 5 IMPERIAL GALLON CAPACITY.
-			0	FUEL SYSTEM VACUUM - TYPE FUEL PUMP, FLOAT FEED CARBURETOR WITH FIXED HIGH SPEED JET AND ADJUSTABLE LOW SPEED JET.
-			0	FUEL FILTERS FILTER SCREENS IN FUEL TANK AND FUEL PUMP.
-			0	COOLING WATER COOLED, POSITIVE DISPLACEMENT TYPE WATER PUMP.
-			0	TRANSOM HEIGHT 15" OR 20" DEPENDING ON MODEL.
-			0	WEIGHT 105 - 112 LBS. FOR STANDARD SHAFT MODELS.
-			0	TILT LOCK POSITIVE TILT LOCK PERMITS ENGINE TO REMAIN IN TILTED POSITION WHEN NOT IN USE.
-			0	RECOMMENDED OPERATING RANGE 4500-5500 R.P.M.
-			0	PROPELLER ALUMINUM ALLOY, 8 1/2" DIAMETER, 10" PITCH, RIGHT HAND ROTATION.

LUBRICATION CHART

REF. NO.	PART NO.	SYM.	QTY.	DESCRIPTION
-			0	UPPER AND LOWER GEAR HOUSINGS CHECK AFTER EVERY THIRTY HOURS OF OPERATION AND REPLACE AFTER EVERY 100 HOURS WITH A NON-CORROSIVE LEADED OUTBOARD GEAR OIL -- CHRYSLER OUTBOARD GEAR LUBE. DO NOT USE CORROSIVE HYPOID OIL UNDER ANY CIRCUMSTANCE.
-			0	CONTROL LINKAGE LUBRICATE ALL MOVING PARTS AND CONTROL LINKAGE WITH RYKON # 2EP, PART NUMBER T2961 TWICE EACH SEASON OR OFTENER IF REQUIRED.
-			0	STERN BRACKET LUBRICATE STERN BRACKET AND ASSOCIATED PARTS WITH RYKON # 2EP, PART NUMBER T2961, TWICE EACH SEASON OR OFTENER IF REQUIRED.
-			0	GREASE FITTING GREASE FITTINGS ARE PROVIDED AT CRITICAL POINTS WHERE BEARING SURFACES ARE NOT EXPOSED EXTERNALLY. USING AN AUTOMOTIVE TYPE GREASE GUN AND LUBRICANT, GREASE TWICE EACH SEASON OR OFTENER IF REQUIRED.
-			0	STARTER PINION GEAR LUBRICATE WITH RYKON # 2EP, PART NUMBER T2961, TWICE EACH SEASON OR OFTENER IF REQUIRED.

SPECIAL ADJUSTMENTS

REF. NO.	PART NO.	SYM.	QTY.	DESCRIPTION
-			0	BREAKER POINT GAP .020" FOR MAGNETO MODELS.
-			0	BREAKER POINT GAP .015" FOR ALTERNATOR MODELS
-			0	SPARK PLUG CHAMPION L-4-J, GAP .030"
-			0	SPARK PLUG CHAMPION QL-4-J, FOR MODELS 252BB, 253BB, 256BA, 257BA
-			0	FLYWHEEL NUT TORQUE TO 45 FOOT POUNDS.
-			0	CYLINDER HEAD BOLT TORQUE TO 225 INCH POUNDS.
-			0	POINT OF THROTTLE OPENING 1. UNSNAP BALL JOINT CONNECTOR FROM THROTTLE CAM.
-			0	POINT OF THROTTLE OPENING 2. WITH THROTTLE SHUTTER IN CARBURETOR CLOSED, ADJUST ECCENTRIC SCREW HOLDING THROTTLE ROLLER TO THROTTLE SHAFT SO THAT PICK-UP LINE ON LOWER END OF THROTTLE CAM IS EXACTLY CENTERED ON THROTTLE ROLLER.
-			0	POINT OF THROTTLE OPENING 3. ADVANCE THROTTLE MAGNETO CONTROL LEVER AND THROTTLE CAM TO FULL ADVANCE POSITION. (THROTTLE SHUTTER HORIZONTAL.)
-			0	POINT OF THROTTLE OPENING 4. ADJUST BALL JOINT CONNECTORS UNTIL SPACING IS IDENTICAL TO SPACING BETWEEN CONNECTOR STUD ON THROTTLE CAM AND MAGNETO CONTROL LEVER.
-			0	POINT OF THROTTLE OPENING

PARTS INDEX

Part Number	Description	Pg.	Ref. No.	Part Number	Description	Pg.	Ref. No.
167	IGNITION CUT-OFF KIT	52	-	F1020	COTTER PIN	39	76
172	BATTERY CASE	52	-	F1024	COTTER PIN	43	6
176	SPEEDOMETER	53	-	F1050	SLOTTED FILL HD SCREW, 10 - 24 X 1	17	3
458366-1	PLATE, NAME "CHRYSLER"	3	16	F1059	FILL HD SCREW, 6 - 32 X 1/4 FOR ELECTRIC START MODELS	19	38
458366-1	PLATE, NAME "CHRYSLER"	7	16	F1072	FILL HD SCREW, 1/4 - 20 X 1 3/4	31	50
478	IGNITION LAMP KIT	52	-	F1075	FILL HD M. SCREW, 10 - 24 X 1/2	31	67
493	HANDLE	52	-	F1077	FILL HD SCREW, 10 - 24 X 1/4	15	10
504180	TRIM, REAR	3	8	F1087	FILL HD SCREW, 10 - 24 X 7/8	3	36
504180	TRIM, REAR	7	8	F1092	FILL HD SCREW, 10 - 32 X 5/8	13	10
70H24	RACING STRIPE KIT	52	-	F1092	FILL HD SCREW, 10 - 32 X 5/8	17	12
70H25	RACING STRIPE KIT	53	-	F1100	SLOTTED FILL HD SCREW, 1/4 - 20 X 1 1/2	15	37
71H07	FUEL GAUGE FLUSH MOUNT	52	-	F1107	FILL HD SCREW, 1/4 - 20 X 3/4	29	1
71H24	FUEL GAUGE SURFACE MOUNT	52	-	F1108	FILL HD MACHINE SCREW W/LOCKWASHER, 1/4 - 20 X 3/4	27	7
72H13	BATTERY, 74 AMP	52	-	F1129	FILL HD SCREW, 5/16 - 18 X 1/2	37	30
72H31	FROST WHITE LACQUER	52	-	F1141	FLAT HD SCREW, 10 - 24 X 1/2	23	6
72H32	GOLD LACQUER	52	-	F1148	FLAT HD SCREW, 1/4 - 20 X 1 1/2	37	38
73H02	CANVAS HOOD	52	-	F1150	FLAT HD SCREW, 1/4 - 20 X 1 1/8	37	37
73H08	PORT SIDE DECAL KIT	53	-	F1150	FLAT HD SCREW, 1/4 - 20 X 1 1/8	45	40
74H02	VOLTMETER	53	-	F1160	FLAT HD SCREW, 1/4 - 28 X 5/8	39	58
74H13	TACHOMETER (SURFACE MOUNT)	53	-	F1199	HEX CAP SCREW, 1/4 - 20 X 1	17	30
817747--1	JOINT BALL ASSEMBLY	31	57	F12083	CONDENSER MOUNTING SCREW	13	2
817776A3	STERN BRACKET CLAMP SCREW W/FOOT, STUD AND HANDLE	33	36	F12083	CONDENSER MOUNTING SCREW	17	5
817808A2	LEVER, GEAR SHIFT	29	29	F12088	GROMMET, LEAD WIRE	13	13
817809A1	PLATE, KINGPIN MOUNTING	37	13	F12090	BREAKER POINT MOUNTING SCREW	17	7
817882A1	FRICTION SHOE ADJUSTING ARM	33	2	F1211	HEX HD SCREW W/SPRING LOCKWASHER, 1/4 - 28 X 5/8	39	70
817938A1	RETAINER, STARTER ROPE HANDLE FOR MANUAL START MODELS	9	12	F12127	STUD NUT	13	15
817955A1	HOUSING, HAND STARTER	9	2	F12128	INSULATOR, OUTSIDE	13	17
865	REMOTE CONTROL SURFACE MOUNT (SINGLE LEVER)	53	-	F12129	INSULATOR, INSIDE	13	19
89396A38	PRIME BULB	47	6	F12139-1	CONDENSER	17	6
A190554-4	GEAR HOUSING UPPER	43	34	F12142	CONNECTION STUD	13	18
A458010-1	CYLINDER W/CRANKCASE COVER, SCREWS AND DOWEL PINS	29	7	F12146	COIL WEDGE SPRING	13	11
A458893	INSERT, PLATE FRONT, CANADA	5	-	F12153	BREAKER POINT SET	13	20
A505892	INSERT, FRONT PLATE, U.S.A.	7	41	F12170	CONTACT SCREW W/LOCKWASHER	13	22
A505893	INSERT, FRONT PLATE, CANADA	7	-	F12181-1	CONDENSER	13	3
AC16395-7	PLATE, IDENTIFICATION W/SCREWS, CANADA	5	-				
AC16395-7	PLATE, IDENTIFICATION W/SCREWS, CANADA	7	-				
C461010-1	SHORT BLOCK FOR HAND START MODELS (NOT SHOWN)	31	-				
F10025	GASKET SET	19	29				
F10027	REPAIR PARTS KIT	19	30				
F1014	COTTER PIN	33	20				

PARTS INDEX

Part Number	Description	Pg.	Ref. No.	Part Number	Description	Pg.	Ref. No.
F12186	GROUND LEAD	13	4	F15095	BENDIX DRIVE	11	1
F12227	CAM WIPER FELT	17	9	F15097	THRU BOLT PACKAGE	11	28
F12228	CAM WIPER FELT	13	21	F15098	THRUST WASHER		
F12329-1	BREAKER POINT SET	17	8		PACKAGE	11	17
F12346	STATOR PLATE			F15102	SPRING, ANTI-DRIFT	11	4
	W/LAMINATIONS	13	9	F15103	PINION	11	7
F1236	HEX CAP SCREW, 1/4 - 20 X			F15104	CUP, CUSHION THRUST	11	12
	1/2	3	26	F15105	CUP, CUSHION	11	10
F1236	HEX CAP SCREW, 1/4 - 20 X			F15106	CUSHION	11	11
	1/2	7	22	F15107	CUP, PINION	11	5
F12366	STATOR PLATE	17	11	F15108	SLEEVE	11	6
F12367	LEAD WIRE AND GROMMET			F15109	CUP, STOP	11	3
	PACKAGE	17	13	F15117	FRAME AND FIELD		
F1280	PAN HD SCREW, 8 - 32 X 1/4	15	11		ASSEMBLY	11	20
F1293	DRIVE SCREWS	5	54	F1513	HEX NUT	13	7
F1293	DRIVE SCREWS	7	33	F1513	HEX NUT, 10 - 32	15	16
F1298	ROUND HD SCREW			F1513	HEX NUT, 10 - 32	17	24
	W/LOCKWASHER, 6 - 32 X			F1513	HEX NUT, 10 - 32	29	30
	1/4	23	12	F1514	HEX JAM NUT, 1/4 - 20	11	13
F1303	PAN HD SCREW, 8 - 32 X 3/4	17	29	F1515	FINISHED HEX NUT, 5/16 -		
F1341	HEX NUT	31	69		18	43	32
F1341	HEX NUT, 1/4 - 20	11	15	F1515	HEX JAM NUT, 5/16 - 18	5	57
F1341	HEX NUT, 1/4 - 20	39	73	F1515	HEX JAM NUT, 5/16 - 18	7	36
F1346	HEX NUT, 3/8 - 16	37	9	F1515	HEX NUT	15	14
F137	REMOTE STEERING			F1515	HEX NUT, 5/16 - 18	23	2
	BRACKET	53	-	F1515	HEX NUT, 5/16 - 18	37	31
F142244	INLET WATER LINE	37	7	F154317	CLAMP, REMOTE CABLE	3	28
F145037-1	PIVOT BOLT	33	38	F154317	CLAMP, REMOTE CABLE	7	24
F1472	SLOTTED HEX CAP SCREW			F1632	PLASTI-PLUG	3	22
	W/SPRING LOCKWASHER,			F1632	PLASTI-PLUG	7	21
	1/4 - 20 X 3/4	39	71	F1638	SPRING PIN	9	22
F1473	HEX NUT	37	15	F1638	SPRING PIN	33	35
F1473	HEX NUT, 10 - 24	5	67	F1642	SOCKET HD CAP SCREW,		
F1475	FILL HD SCREW, 10 - 24 X				10 - 24 X 3/4 FOR		
	1/2	3	15		MANUAL START MODELS	39	54
F1475	FILL HD SCREW, 10 - 24 X			F1645	RD HD SCREW, 6 - 32 X 1/4	17	35
	1/2	7	15	F1645	ROUND HD SCREW, 6 - 32 X		
F1491	HEX CAP SCREW, 5/16 - 18				1/4	15	4
	X 3 1/4	37	24	F1647	HEX NUT	15	9
F1500	RD HD SHEET METAL			F1648	SLOTTED PAN HD SCREW,		
	SCREW, 4 X 1/4 FOR				10 - 24 X 3/4	15	20
	MANUAL START MODELS	9	24	F165	REMOTE STEERING		
F15002	SPRING SET	11	23		BRACKET	53	-
F15010	ARMATURE	11	18	F1656	PLAIN WASHER	33	16
F15015	BRUSH SET	11	22	F166	DUAL ENGINE TIE BAR	53	-
F15019-1	HEAD ASSEMBLY			F1663	SPRING PIN	39	57
	COMMUTATOR END	11	24	F1664	SPRING PIN FOR MANUAL		
F1502	HEX CAP SCREW, 1/4 - 20 X				START MODELS	37	43
	5/8	31	68	F1666	BOWED SPRING		
F1502	HEX CAP SCREW, 1/4 - 20 X				LOCKWASHER	33	12
	5/8	41	79	F1669	NUT	33	26
F1502	HEX HD MACHINE SCREW,			F1689	HEX CAP SCREW, 1/4 - 20 X		
	1/4 - 20 X 5/8	7	18		1/2	33	7
F1502	HEX HD SCREW, 1/4 - 20 X			F1689	HEX CAP SCREW, 1/4 - 20 X		
	5/8	3	18		1/2 FOR ELECTRIC START		
F15021-1	HEAD ASSEMBLY DRIVE				MODELS	29	11
	END	11	16	F1704	INTERNAL TOOTH		
F15084	SCREW SHAFT	11	8		LOCKWASHER	15	5
F15087	HEX NUT	11	2	F1705	HEX CAP SCREW, 1/4 - 20 X		
F15091	WASHER	11	9		3/4	11	21

PARTS INDEX

Part Number	Description	Pg.	Ref. No.	Part Number	Description	Pg.	Ref. No.
F1705	HEX CAP SCREW, 1/4 - 20 X 3/4	17	17	F185764	RETAINING RING	7	35
F1727	PLASTI-RIVET	29	6	F1859	HEX SOCKET HEADLESS SET SCREW, 1/4 - 28 X 3/16	3	33
F1728	PAN HD SCREW, 10 X 3/8	3	6	F1859	HEX SOCKET HEADLESS SET SCREW, 1/4 - 28 X 3/16	5	47
F1728	PAN HD SCREW, 10 X 3/8	7	6	F1860	BINDING HD MACHINE SCREW, 6 - 32 X 1/4	27	3
F1734	FILL HD MACHINE SCREW W/SPRING LOCKWASHER, 1/4 - 20 X 1/2	15	29	F1864	HEX SLOTTED HD SCREW, 1/4 - 20 X 3/4	29	9
F1745	HEX HD SCREW W/SPRING LOCKWASHER, 5/16 - 18 X 1	37	39	F1864	SLOTTED HEX HD SCREW, 1/4 - 20 X 3/4 (ALTERNATOR MODELS)	9	-
F1753	FASTENER	3	12	F1864	SLOTTED HEX HD SCREW, 1/4 - 20 X 3/4 (HAND START MODELS)	9	1
F1753	FASTENER	7	12	F1888	HEX SOCKET HD CAP SCREW, 5/16 - 18 X 2 5/16	43	27
F1760	PAN HD SCREW, 10 - 24 X 3/8	3	24	F190019-1	KINGPIN	35	44
F1760	PAN HD SCREW, 10 - 24 X 3/8	5	63	F190321-1	PACKING, LEG COVER	37	23
F1768	FILL HD SCREW, 10 - 24 X 1 3/8	37	20	F190323-1	PACKING, LEG COVER UPPER FRONT	37	21
F177330	FUEL PUMP VALVE	27	4	F190832-2	COVER, MOTOR LEG EXHAUST	37	36
F1778	PLAIN WASHER	37	10	F190833	GASKET, MOTOR LEG EXHAUST COVER	37	35
F1803	STOP NUT	31	56	F1910	LOCK NUT	31	60
F1810	FILL HD SCREW, 10 - 24 X 2 1/2	37	18	F1916	HEX HD SCREW, 1/4 - 20 X 1 1/8	15	34
F1811	FILL HD SCREW, 10 - 24 X 1 7/8	37	19	F1922	HEX HD SCREW, 1/4 - 20 X 5/8	29	33
F18132-1	HANDLE, STARTER ROPE	9	26	F1927	PAN HD SCREW, 10 - 32 X 3/8	9	4
F1832	LOCK NUT FOR MANUAL START MODELS	37	42	F1934	FLAT HD SCREW, 6 X 1/2	15	32
F1833	HEX HD SCREW, 1/4 - 20 X 1	31	49	F195/_	REMOTE CONTROL CABLE	53	-
F183300	SPRING, LATCH SHAFT	5	55	F1953	HEX HD SCREW, 1/4 - 20 X 1	17	25
F183300	SPRING, LATCH SHAFT	7	34	F1954	HEX SOCKET HEADLESS SET SCREW, 5/16 - 24 X 1/4	39	52
F183300	SPRING, MAGNETO CONTROL SHAFT	3	34	F1970	SPRING PIN	43	19
F183346-1	SHOCK MOUNT LOWER THRUST	37	29	F1975	LOCKWASHER	17	23
F183504	GROMMET, MAGNETO CONTROL SHAFT	3	31	F1975	SPRING LOCKWASHER	15	17
F1836	SPRING PIN	5	49	F197787-2	FUEL LINE COUPLER	47	3
F1836	SPRING PIN	33	21	F1978	SPRING PIN	39	75
F183756-1	PACKING, SUPPORT PLATE	37	2	F1978	SPRING PIN FOR MANUAL START MODELS	39	59
F183813	BEARING	31	53	F1979	SLOTTED PAN HD SCREW, 10 - 24 X 3/4	15	25
F183818	BEARING, CHOKE ROD	3	23	F1987	PLAIN WASHER	29	13
F183990	SPACER, KINGPIN	33	28	F1987	PLAIN WASHER	39	78
F184033-1	SWIVEL, CHOKE ARM FOR ELECTRIC START MODELS	19	37	F1997	LOCK NUT	19	40
F184579	SEAL, FOR ELECTRIC START MODELS	19	36	F1997	LOCK NUT, 8 - 32	17	31
F1854	HEX CAP SCREW, 1/4 - 20 X 5/8	15	18	F2004	FILL HD SCREW, 8 - 32 X 3/8	9	15
F1854	HEX CAP SCREW, 1/4 - 20 X 5/8	17	16	F2005	HEX SOCKET HD CAP SCREW, 5/16 - 18 X 2 3/4	29	10
F1854	HEX CAP SCREW, 1/4 - 20 X 5/8 (ALTERNATOR MODELS)	31	-	F2008	HEX HD SCREW, 1/4 - 20 X 7/8	23	1
F1854	HEX CAP SCREW, 1/4 - 20 X 5/8 (HAND START MODELS)	31	43				
F185764	RETAINING RING	5	56				

PARTS INDEX

Part Number	Description	Pg.	Ref. No.	Part Number	Description	Pg.	Ref. No.
F2009	ACORN NUT, 3/8 - 16	37	33	F286422-1	PIVOT, TILT LOCK	33	8
F2010	FILL HD SCREW W/LOCKWASHER, 10 - 32 X 9/16	17	10	F286440	STUD, MAGNETO CONTROL LEVER	31	52
F2010	FILL HD SCREW W/SPRING LOCKWASHER, 10 - 32 X 9/16	13	23	F286451	SPACER, TILT LOCK	33	9
F2011	PAN HD SCREW, 1/4 - 20 X 1 1/4 FOR ELECTRIC START MODELS	41	82	F286544-1	SPRING, TILT LOCK	33	11
F2012	PLAIN WASHER	17	26	F286547	CHOKE KNOB	3	41
F2012	PLAIN WASHER (ALTERNATOR MODELS)	9	-	F286772-1	CLAMP STATOR PLATE COMPLETE, ORDER COMPONENT PARTS	17	36
F2012	PLAIN WASHER (HAND START MODELS)	9	27	F286772-1	CLAMP, FUEL PUMP TO CARBURETOR HOSE	15	38
F2013	HEX SOCKET HD CAP SCREW, 5/16 - 18 X 1 1/4	29	14	F286894-3	INDICATOR, SPEED CONTROL FOR MANUAL START MODELS	39	66
F2014	PLAIN WASHER	37	6	F288075	HANDLE, STERN BRACKET CLAMP SCREW	33	34
F2016	FILL HD MACHINE SCREW, 6 - 32 X 7/8	15	3	F288689	BEARING, MAGNETO CONTROL SHAFT FOR MANUAL START MODELS	39	56
F2018	SPEED NUT FOR ELECTRIC START MODELS	41	83	F288691	GEAR, MAGNETO CONTROL SHAFT FOR MANUAL START MODELS	39	55
F2019	HEX CAP SCREW, 5/16 - 18 X 1 1/4	43	5	F295080	STEERING HANDLE PIVOT BOLT FOR MANUAL START MODELS	39	48
F2021	FLYWHEEL NUT	9	14	F295175	WASHER, STEERING HANDLE PIVOT BOLT FOR MANUAL START MODELS	39	49
F2021	FLYWHEEL NUT, 5/8 - 18	17	1	F295457	WASHER, RETAINING STEERING HANDLE PIVOT BOLT	39	50
F2025	PAN HD SCREW, 10 X 5/8	3	4	F295689	BEARING, STEERING HANDLE GEAR	39	51
F2025	PAN HD SCREW, 10 X 5/8	7	4	F296898	TERMINAL	15	23
F2026	PLASTIC RIVET	5	65	F298788	FERRULE	47	4
F2033	GROOVE PIN FOR ELECTRIC START MODELS	19	31	F2A436135	MOTOR LEG COVER, PORT W/PACKING	37	17
F203965	SHOCK MOUNT UPPER THRUST	39	68	F2A436145	MOTOR LEG COVER, STARBOARD W/PACKING	37	16
F2040	HEX HD MACHINE SCREW, 1/4 - 20 X 5/8	9	19	F2A458081	MAGNETO CONTROL LEVER W/CONNECTOR STUD	31	54
F2095	SPRING PIN	33	30	F2A458581	COLLAR W/LOWER CRANKSHAFT SEAL	25	11
F2107	SLOTTED FILL HD SCREW W/SPRING LOCKWASHER, 10 - 24 X 5/8	3	29	F2A504614	KNOB, GEAR SHIFT W/SHAFT AND INDICATOR	3	43
F2107	SLOTTED FILL HD SCREW W/SPRING LOCKWASHER, 10 - 24 X 5/8	7	25	F307317	CLIP, TERMINAL BLOCK GROUND	15	21
F213274	GREASE FITTING	35	41	F307818	BEARING	5	51
F213342	SEAL, FUEL LINE COUPLER	47	1	F307818	BEARING	29	20
F213735	SEAL, FUEL LINE COUPLER	47	2	F307818	BEARING LATCH SHAFT	7	28
F215795	SEAL, STEERING HANDLE GRIP FOR MANUAL START MODELS	37	44	F307818	BEARING, LATCH SHAFT	3	39
F24074	CLAMP SCREW FOOT	33	31	F316160	REED	23	10
F24342	SEAL, WATER LINE UPPER	37	5	F324689	BEARING, MAGNETO CONTROL SHAFT	3	35
F24623-1	GROMMET, GEAR SHIFT	3	45	F324840-1	GROMMET, REMOTE SHIFT CABLE	5	52
F268002-2	BREAKER CAM	17	14	F324840-1	GROMMET, REMOTE THROTTLE CABLE	3	30
F269052	BEARING, SHIFT LEVER	29	28	F324993	BRACKET, CHOKE ROD BEARING	3	25
F269122-1	SEAL, CRANKCASE PARTING LINE	29	8				
F269319	BEARING, THROTTLE CAM	31	61				
F286028-1	CRANKSHAFT LOWER MAIN BEARING	25	14				
F286282	WASHER	31	55				

PARTS INDEX

Part Number	Description	Pg.	Ref. No.	Part Number	Description	Pg.	Ref. No.
F333316	SHAFT, THROTTLE ROLLER	21	42	F458003	STARTER INTERLOCK LEVER	9	23
F335217-1	BEARING, PISTON PIN	25	3	F458015-1	PISTON	25	6
F338618-1	SEAL, GEAR SHIFT ROD LOWER	43	31	F458017	PISTON PIN	25	4
F341562	BACK PLATE, WATER PUMP	43	36	F458028	BEARING, CRANKSHAFT UPPER MAIN	25	19
F346118	SEAL, PROPELLER SHAFT	43	14	F458038-2	SUPPORT PLATE	3	20
F366215	SPACER, PISTON PIN	25	2	F458038-2	SUPPORT PLATE	7	20
F366364	ARM, REVERSE LOCK	33	23	F458066	THERMOSTAT COVER	31	44
F366801	FITTING	29	18	F458067	GASKET, THERMOSTAT COVER	31	45
F369390-1	DECAL, REVERSE LOCK (NOT SHOWN)	35	-	F458071	SPRING, STARTER HANDLE GUIDE FOR MANUAL START MODELS	9	5
F381896-4	CABLE BATTERY ENTRY	15	13	F458076	TAB, SHOCK MOUNT SIDE	37	12
F385433	TILT STOP	33	40	F458079	STEERING HANDLE FOR MANUAL START MODELS	39	46
F385647	CARRYING HANDLE	37	40	F458109	PLUG, CYLINDER HEAD	29	40
F391926-1	PLUNGER, CHOKE SOLENOID FOR ELECTRIC START MODELS	19	32	F458132	HANDLE, STARTER ROPE FOR MANUAL START MODELS	9	11
F40209	CARBURETOR STUD	23	3	F458146	SEAL, CRANKSHAFT UPPER MAIN	29	2
F407446	CLAMP, BATTERY CABLE	15	30	F458151	EXHAUST PORT PLATE	31	47
F40906-1	FLANGE GASKET	19	9	F458152	EXHAUST PORT COVER	31	48
F409251-1	GAUGE CAP	47	10	F458154	GASKET, EXHAUST PORT PLATE	31	46
F40956	BRACKET, SHOCK MOUNT UPPER THRUST	39	69	F458166-2	SCREW, MOTOR LEG TO CYLINDER	37	34
F429811	SCREEN, CYLINDER DRAIN	29	36	F458192	THROTTLE CAM	31	62
F433168	GASKET, CARBURETOR ADAPTER W/STUDS	23	5	F458198	THROTTLE STOP FOR MANUAL START MODELS	39	67
F433209	STUD, THROTTLE CAM	31	63	F458223	GASKET, TRANSFER PORT COVER	29	37
F433404	DEFLECTOR PLATE	23	7	F458232	STARTER ROPE	9	10
F433406	GASKET, DEFLECTOR PLATE	23	8	F458239	STARTER-PULLEY	9	8
F434767	BUSHING, FUEL LINE	5	70	F458245	BAFFLE, TILT HANDLE	3	2
F434767	BUSHING, FUEL LINE	7	31	F458245	BAFFLE, TILT HANDLE	7	2
F436065	IMPELLER, WATER PUMP	43	37	F458277	GASKET, CRANKSHAFT BEARING CAGE	29	4
F436128	DRIVESHAFT FOR STANDARD SHAFT MODELS	43	1	F458279	GASKET, CYLINDER EXHAUST	37	1
F436314-1	ELBOW, DRAIN HOSE	29	32	F458347	MOUNT, SUPPORT PLATE	37	4
F436322	PACKING, LEG COVER LOWER FRONT	37	22	F458371	BRACKET, REMOTE THROTTLE CABLE	3	27
F436449	SHORTING SWITCH FOR MANUAL START MODELS	13	5	F458371	BRACKET, REMOTE THROTTLE CABLE	7	23
F436541	TILT LOCK (PORT)	33	10	F458424	SPRING, STARTER PAWL PLATE	9	9
F437128	DRIVESHAFT FOR LONG SHAFT MODELS	43	-	F458445	LINK, MAGNETO CONTROL SHAFT	31	51
F437521	CLUTCH	43	20	F458453	GASKET, LEG EXHAUST	37	14
F437719	CLUTCH SPRING	43	21	F458456	HAND STARTER COLLAR	9	13
F438165	SCREW, FUEL PUMP BOWL	27	11	F458498	FLYWHEEL KEY	25	18
F438398	DECAL, WIRING	15	28	F458502	ROD, THROTTLE CAM	31	59
F438500	FUEL PUMP BOWL	27	10	F458503	CHOKE ROD	3	21
F438617	GASKET, FUEL PUMP BOWL	27	8	F458509	LINK, MAGNETO STATOR	31	58
F438653	SCREEN, FUEL PUMP	27	9	F458519	SCREW, TILLER IDLE STOP FOR MANUAL START MODELS	39	47
F438747	FUEL PUMP DIAPHRAGM	27	2				
F438760	FUEL PUMP GASKET	27	1				
F438801	FITTING, FUEL PUMP BODY	27	15				
F440209	STUD, GEAR SHIFT LEVER	29	31				
F455305	SEAL, CRANKSHAFT COLLAR	25	13				
F456717	THRUST WASHER, BEVEL GEAR	43	17				

PARTS INDEX

Part Number	Description	Pg.	Ref. No.	Part Number	Description	Pg.	Ref. No.
F458529	GASKET, CYLINDER HEAD .	29	38	F461615	GEAR SHIFT ROD UPPER . .	39	74
F458531	ROD, SHIFT INTERLOCK . . .	29	24	F461707-1	COVER, SHOCK MOUNT		
F458579	SEAL, CRANKCASE	25	10		LOWER	37	25
F458592	RETAINER, STARTER			F461774	BRACKET, RETAINER REAR	3	19
	PULLEY	9	16	F461774	BRACKET, RETAINER REAR	7	19
F458677	INSERT, CHOKE KNOB	3	42	F461845	MOTOR LEG EXTENSION . .	43	3
F458688	SHAFT, STEERING HANDLE			F461952	STRAP, HAND STARTER		
	FOR MANUAL START				HOUSING	9	20
	MODELS	39	62	F462840	GROMMET	7	26
F458690	SCREW, THROTTLE STOP			F463864	RETAINER, TILT HANDLE . .	3	5
	FOR MANUAL START			F463864	RETAINER, TILT HANDLE . .	7	5
	MODELS	39	60	F476	FUEL LINE ADAPTION KIT .	52	-
F458695	SLEEVE, STEERING			F483300	SPRING	33	27
	HANDLE GRIP FOR			F483349-1	REVERSE LOCK	33	25
	MANUAL START MODELS	39	65	F483510	LINK, REVERSE LOCK	33	24
F458711	PLATE, FRONT	5	68	F483555	SEAL, GEAR HOUSING	43	30
F458754	HOSE, FUEL PUMP TO			F483726	BEARING	33	18
	CARBURETOR	27	14	F483827	LEVER, REVERSE LOCK . . .	33	17
F458846	SPRING, STARTER			F483884	BEARING	33	22
	INTERLOCK LEVER	9	21	F487755	FUEL TANK ADAPTER	47	8
F458880	CLIP, STARTER GUIDE	5	66	F50109	PLUG, GEAR HOUSING	43	26
F458887	FASTENER, SUPPORT			F504052	BEARING	31	65
	PLATE MOUNT	37	3	F50411	RETAINING RING	43	12
F458888-1	TRIM, STARTER HANDLE			F504527	CAP, INTERLOCK BEARING	31	66
	GUIDE	5	64	F504621	LEVER, GEAR SHIFT		
F458936	SCREW, CYLINDER HEAD .	29	41		CONTROL	5	48
F458937	LINER, STARTER HOUSING	9	3	F504809	ROD, STARTER INTERLOCK	31	64
F458953-1	GUIDE, STARTER HANDLE			F504836	SPACER, GEAR SHIFT		
	FOR MANUAL START				SHAFT	5	50
	MODELS	9	6	F505095-1	STATOR, ALTERNATOR . . .	17	4
F458962	SHOCK MOUNT	37	11	F505097	FLYWHEEL	17	2
F458963	PLATE, SHOCK MOUNT . . .	37	8	F505501	COIL MOUNT	17	22
F458970	SPRING, STARTER REWIND	9	7	F505513	COIL CLAMP	17	19
F458977-3	LEVER, SHIFT INTERLOCK .	29	21	F505744	WIRING HARNESS	15	6
F460097-1	FLYWHEEL	13	1	F505744	WIRING HARNESS	17	34
F460163-1	COVER, SUPPORT PLATE .	7	30	F505841	HI-TENSION WIRE	17	20
F460317	CLAMP, CHOKE SOLENOID			F505993	COIL MOUNT BRACKET . . .	17	18
	FOR ELECTRIC START			F510374	DECAL, CIRCUIT BREAKER	15	36
	MODELS	29	12	F510450-1	RECTIFIER	17	32
F460427	BRACKET, STARTER			F510460	CIRCUIT BREAKER	15	24
	MOTOR	15	1	F513286	WASHER, SWIVEL BRACKET		
F460573	CLAMP, STARTER MOTOR .	11	19		FRICTION	33	13
F460664	STATOR GROUND WIRE . . .	13	6	F53504	GROMMET, SUPPORT		
F460686	COVER, KING PIN				PLATE	7	29
	MOUNTING PLATE FOR			F53795-1	SEAL, STEERING HANDLE		
	ELECTRIC START				GRIP FOR MANUAL		
	MODELS	41	81		START MODELS	39	45
F460711	PLATE, FRONT	7	42	F53840-2	GROMMET, CHOKE ROD . .	3	40
F460917	STARTER RELAY	15	19	F53983	RETAINING RING, WEED		
F460925	ROD, CHOKE SOLENOID				GUARD	43	11
	FOR ELECTRIC START			F54262	WEED GUARD	43	10
	MODELS	19	33	F588	FLUSHING ADAPTER	52	-
F461061-2	CARBURETOR COMPLETE			F590	REMOTE CONTROL FLUSH		
	(WB19C)	21	43		MOUNT (SINGLE LEVER)	53	-
F461094-1	PROPELLER NUT	43	7	F66480	STUD	33	32
F461133-2	MOTOR LEG	37	26	F7001	STOP NUT	33	15
F461342	SEAL, DRIVESHAFT SPLINE	25	12	F7004	LOCK NUT, 3/8 - 16	29	25
F461400	INDICATOR, GEAR SHIFT . .	3	44	F7011	HEX NUT	3	13
F461512	PLATE, NUMERAL	5	60	F7011	HEX NUT, 10 - 24	7	13
F461512	PLATE, NUMERAL	7	39	F7024	STOP NUT	33	1

PARTS INDEX

Part Number	Description	Pg.	Ref. No.	Part Number	Description	Pg.	Ref. No.
F70H01	ANTI-CORROSION KIT	52	-	F84035-2	BEARING, SHIFT		
F70H03	CARRYING HANDLE	52	-		INTERLOCK ROD	29	22
F70H05	BATTERY EXTENSION			F84314-2	ELBOW	19	39
	CABLE	52	-	F84449	SWITCH, STARTER		
F71H02	ANTI-CORROSION				INTERLOCK	15	2
	SACRIFICIAL ANODE	52	-	F84792	FUEL PUMP VALVE GASKET	27	5
F71H04	SPEEDOMETER	52	-	F85026	SWIVEL, SHIFT INTERLOCK		
F71H09	FUEL TANK (ACCESSORY				LEVER	29	19
	ITEM)	47	9	F8537	SPRING PIN	33	33
F71H09	STEEL, 6 GALLON FUEL			F8548	SPRING PIN FOR MANUAL		
	TANK	52	-		START MODELS	39	64
F71H10	SENDING UNIT	52	-	F85498	FLYWHEEL KEY	17	15
F71H12	FUEL TANK ANCHOR	52	-	F85498	FLYWHEEL KEY FOR		
F71H21	IGNITION SWITCH				ALTERNATOR MODELS	25	-
	MOUNTING KIT			F8550	SPRING PIN FOR MANUAL		
	(ACCESSORY ITEM)	15	31		START MODELS	37	41
F72H35	WATER PUMP KIT	52	-	F8559	DOWEL PIN	29	15
F72H36	REMOTE CONTROL			F85610	BEARING	39	61
	SURFACE MOUNT			F85610	BEARING, FOR MANUAL		
	(SINGLE LEVER)	53	-		START MODELS	41	84
F73H07	STARTER CONVERSION	53	-	F85634-1	SCREW, CONNECTING ROD	25	15
F73H11	REMOTE ELECTRIC CABLE	52	-	F85735-1	SEAL	3	11
F74305	SEAL, PROP SHAFT			F85735-1	SEAL	7	11
	BEARING CAGE	43	13	F85756	PACKING, ENGINE COVER	3	17
F74H01	VOLTMETER	53	-	F85756	PACKING, ENGINE COVER	7	17
F74H05	OVERHEAT BUZZER KIT	52	-	F85843-1	CABLE, ELECTRIC		
F74H09	TACHOMETER (FLUSH				CONTROL	15	27
	MOUNT)	53	-	F85924	CHOKE SOLENOID	15	7
F74H19	IGNITION KEY SWITCH	52	-	F88161-3	REED STOP	23	11
F74H20	IGNITION KEY SWITCH	52	-	F89777-1	CAM, ENGINE COVER		
F74H20	IGNITION SWITCH				LATCH	7	38
	(ACCESSORY ITEM)	15	12	F89777-1	CAM, ENGING COVER		
F75H09	BATTERY CABLE	52	-		LATCH	5	59
F8011	PLAIN WASHER	7	44	F90096	RETAINER, PISTON PIN	25	1
F8011	PLAIN WASHER	9	25	F901008	STUD, GEAR HOUSING	43	33
F8011	PLAIN WASHER FOR			F901011	WASHER, SWIVEL BRACKET	35	43
	MANUAL START MODELS	21	44	F901169-1	BEARING, SWIVEL		
F8049	BOWED WASHER	39	77		BRACKET	33	29
F8055	LOCKWASHER	13	16	F901307-2	SEAL, DRIVESHAFT AND		
F8056	SPRING LOCKWASHER	15	8		WATER PUMP	43	35
F8058	INTERNAL TOOTH			F901563	DRIVE PIN, WATER PUMP		
	LOCKWASHER	29	27		IMPELLER	45	42
F8059	SPRING LOCKWASHER	13	8	F901631-1	FRICITION SHOE	33	5
F8077	WASHER, GEAR HOUSING			F901704	COUPLING, GEAR SHIFT		
	PLUG	43	25		ROD	39	72
F8083	SPRING LOCKWASHER	11	26	F901705-3	GEAR SHIFT ROD LOWER		
F8083	SPRING LOCKWASHER	15	33		FOR STANDARD SHAFT		
F8083	SPRING LOCKWASHER	33	6		MODELS	45	41
F8088	PLAIN WASHER	15	35	F901721	CLUTCH SHIFT CAM	43	28
F8088	PLAIN WASHER FOR			F901728	CLUTCH SHIFT PIN	43	22
	ELECTRIC START			F901775	PLATE, FRICTION SHOE	33	4
	MODELS	19	35	F901822-1	STUD, SWIVEL BRACKET	33	3
F8094	PLAIN WASHER	33	19	F9022	SHIM .006 (SILVER)	9	17
F8096	SPRING LOCKWASHER	5	58	F9023	SHIM .007 (BRASS)	9	-
F8096	SPRING LOCKWASHER	7	37	F9024	SHIM .010 (BLACK)	9	-
F8096	SPRING LOCKWASHER	15	15	F90807	RETAINER, CHOKE ROD		
F8096	SPRING LOCKWASHER	37	32		FOR MANUAL START		
F8096	SPRING LOCKWASHER	43	4		MODELS	21	45
F84026	SWIVEL, SHIFT INTERLOCK						
	BEARING	29	23				

PARTS INDEX

Part Number	Description	Pg.	Ref. No.	Part Number	Description	Pg.	Ref. No.
F91446-1	BRACKET, CIRCUIT BREAKER	15	26	FA458778	RETAINER, ENGINE COVER FRONT W/SCREWS AND NUTS	7	40
F92759	ROLLER, THROTTLE CAM FOLLOWER	19	41	FA458838	MAGNETO CONTROL SHAFT	3	37
F97772	FUEL LINE CLAMP	27	12	FA458892	INSERT, PLATE FRONT, U.S.A.	5	62
F98273	ROD END CONNECTOR STUD	29	26	FA460423	STARTER PAWL PLATE ASSEMBLY	9	18
FA12345	COIL W/LEAD WIRE	13	12	FA483072	SWIVEL BRACKET W/BEARINGS AND GREASE FITTINGS	35	42
FA324101	PROPELLER PIN PACK OF 3 W/COTTER PIN	43	8	FA504082	MAGNETO STATOR RING	29	5
FA324113	STERN BRACKET LOCK BAR W/END	33	37	FA504222	TRANSFER PORT COVER	29	34
FA324298	PROP SHAFT BEARING CAGE	43	15	FA510497	TERMINAL BLOCK	15	22
FA343178	RETAINER, GEAR SHIFT SHAFT W/SET SCREW	5	46	FA510914	SEAL, WATER LINE LOWER	43	39
FA343178	RETAINER, MAGNETO CONTROL SHAFT W/SET SCREW	3	32	FA513269	TILT HANDLE	3	3
FA413469	COVER LATCH HANDLE W/SHAFT	3	38	FA513269	TILT HANDLE	7	3
FA413469	COVER LATCH HANDLE W/SHAFT	7	27	FA77395-5	PLATE, IDENTIFICATION W/SCREWS, U.S.A.	5	53
FA413815	GEAR, STEERING HANDLE W/SET SCREW FOR MANUAL START MODELS	39	53	FA77395-5	PLATE, IDENTIFICATION W/SCREWS, U.S.A.	7	32
FA437023	BEVEL GEAR FRONT W/BEARING	43	23	FA78266-1	BEVEL PINION W/BEARING	43	29
FA437098	PROPELLER SHAFT	43	18	FA84754-1	FUEL LINE SHORT W/CLAMPS	47	5
FA437662	BEVEL GEAR REAR W/BEARING	43	16	FA85754-1	HOSE, FUEL PUMP TO BUSHING	27	13
FA438431	FUEL PUMP BODY W/VALVES	27	6	FC310227	SPARK PLUG (CHAMPION) QL-4J	31	-
FA456137	STEERING HANDLE GRIP W/SLEEVE FOR MANUAL START MODELS	39	63	FC505010	SHORT BLOCK FOR ALTERNATOR MODELS (NOT SHOWN)	31	-
FA458144	CRANKSHAFT BEARING CAGE	29	3	FG1010	GASKET SET (NOT SHOWN)	31	-
FA458158	REED PLATE W/REEDS, STOPS AND SCREWS	23	9	FK1025	LONG LEG CONVERSION KIT	52	-
FA458167	CARBURETOR ADAPTER	23	4	FK504060	WATER PUMP BODY	43	38
FA458254	HOSE, DRAIN	29	17	FK750-1	SPARKIE W/SPRING	13	14
FA458260	PISTON RING SET (4 PER SET)	25	7	FK78054-4	GEAR HOUSING LOWER W/PLUG AND WASHER	43	24
FA458480	RETAINER, ENGINE COVER REAR W/SCREWS AND NUTS	3	14	FK85228	BEARING CAGE W/ROLLERS (16 PER SET)	25	16
FA458480	RETAINER, ENGINE COVER REAR W/SCREWS AND NUTS	7	14	FO10165	INLET SEAT GASKET	19	19
FA458518	CYLINDER HEAD W/PLUGS	29	39	FO10280	CHOKE SHUTTER RETAINING SCREW AND LOCKWASHER	19	8
FA458571	ROLLER, CENTER MAIN	25	9	FO10588	BODY CHANNEL CUP PLUG	19	1
FA458655	LINER, CENTER MAIN	25	8	FO10790	INLET NEEDLE, SEAT AND GASKET	19	18
FA458712	ENGINE COVER W/FRONT AND REAR RETAINERS	3	1	FO10883	CHOKE RELIEF VALVE SPRING	19	4
FA458712	ENGINE COVER W/FRONT AND REAR RETAINERS	7	1	FO11103	IDLE MIXTURE SCREW SPRING	19	17
FA458778	RETAINER, ENGINE COVER FRONT W/SCREWS AND NUTS	5	61	FO12250	CHOKE SHUTTER	19	7
				FO12251	CHOKE RELIEF VALVE	19	3
				FO13552	FUEL BOWL	19	12
				FO13554	FLOAT	19	10
				FO13944	FLOAT LEVER PIN	19	11
				FO13945	FUEL BOWL RETAINING SCREW	19	14
				FO14166	IDLE MIXTURE SCREW	19	16

PARTS INDEX

Part Number	Description	Pg.	Ref. No.	Part Number	Description	Pg.	Ref. No.
FO15213	MAIN NOZZLE	19	21	S385032	STERN BRACKET		
FO15623	FUEL BOWL GASKET	19	13		STARBOARD W/CLAMP		
FO16397	CHOKE SHAFT RETURN				SCREW AND FOOT	33	39
	SPRING	19	6	S385532	STERN BRACKET PORT		
FO16561	THROTTLE SHAFT AND				W/CLAMP SCREW AND		
	LEVER	19	22		FOOT	33	14
FO16562	CHOKE SHAFT AND LEVER	19	5	T8974	POINT TENSION GAUGE . . .	48	-
FO16563	THROTTLE SHAFT RETURN			21-817741A1	CHECK VALVE	29	35
	SPRING	19	26	32-817738A1	FUEL LINE LONG		
FO17639	THROTTLE SHUTTER	19	27		W/CLAMPS AND FERRULE	47	7
FO2510	FUEL BOWL RETAINING			39-818119A1	PISTON RINGS (4 PER SET)		
	SCREW GASKET	19	15		.030 OVERSIZE (NOT		
FO3804	THROTTLE SHAFT				SHOWN)	25	-
	POSITION RETAINING			85-818076A2	IGNITION COIL	17	21
	SCREW WASHER	19	25	400-818058A1	CRANKSHAFT W/LOWER		
FO4326	BODY CHANNEL WELCH				MAIN BEARING	25	17
	PLUG	19	2	400-818063A1	CRANKSHAFT W/LOWER		
FO6393	THROTTLE SHAFT				MAIN BEARING FOR		
	POSITION RETAINING				ALTERNATOR MODELS . .	25	-
	SCREW	19	23	600-818052A4	CONNECTING ROD W/CAP		
FO6396	THROTTLE SHAFT				AND SCREWS	25	5
	POSITION RETAINING			700-818118A1	PISTON .030 OVERSIZE		
	SCREW LOCKWASHER . .	19	24		(NOT SHOWN)	25	-
FO8942	THROTTLE SHUTTER			1600-817898A1	LOWER GEAR HOUSING		
	RETAINING SCREW AND				COMPLETE (NOT SHOWN)	45	-
	LOCKWASHER	19	28				
FS174227	SPARK PLUG (L-4-J)	29	42				
FS409752	FUEL LINE COMPLETE (NOT						
	SHOWN)	47	-				
FS460955	STARTER MOTOR						
	COMPLETE	11	-				
FS505454	RECTIFIER BRACKET	17	33				
FS901244	EXTENSION, INLET WATER						
	LINE	43	2				
FSA458015	PISTON .010 OVERSIZE						
	(NOT SHOWN)	25	-				
FSA458260	PISTON RINGS (4 PER SET)						
	.010 OVERSIZE (NOT						
	SHOWN)	25	-				
FT2907	DRIVESHAFT SEAL						
	INSTALLER	50	-				
FT2910	KNOCK-OFF NUT	48	-				
FT2953	SOCKET	49	-				
FT2990	PISTON PIN REMOVER	49	-				
FT2996	RING COMPRESSOR	49	-				
FT8919	SPRING PIN PUNCH	50	-				
FT8926	RING EXPANDER	49	-				
FT8932	LIFTING HOOK	51	-				
FT8948-1	PROPELLER SHAFT						
	BEARING CAGE PULLER	50	-				
FT8950	LEAKAGE TESTER	51	-				
FT8957	SEAL INSTALLER	50	-				
FT8967	SEAL PROTECTOR	49	-				
FT8968A	TEST WHEEL	51	-				
FT8971	SEAL INSTALLER	49	-				
FT8976	SEAL PROTECTOR	49	-				
FT8977	SEAL COLLAR INSTALLER .	49	-				
FTA2937-1	TIMING TOOL	48	-				
P346	PROPELLER (ACCESSORY						
	ITEM)	43	9				