



PARTS CATALOG

6 H.P.

SERIAL NUMBER

6 (1978)62B8J
6 (1978)62H8J
6 (1978)	67B8A
6 (1978)	67H8A

TABLE OF CONTENTS:

ACCESSORIES	35
ELECTRICAL COMPONENTS	6
ENGINE COVER AND SUPPORT PLATE	2
FUEL SYSTEM	12
FUEL TANK AND LINE	28
GEAR HOUSING	24
LUBRICATION CHART	37
MOTOR LEG	20
PARTS INDEX	39
POWER HEAD	16
SPECIAL ADJUSTMENTS	38
SPECIAL TOOLS - LOWER UNIT	33
SPECIAL TOOLS - POWER HEAD	32
SPECIAL TOOLS - STARTER	31
SPECIAL TOOLS - TEST EQUIPMENT	34
SPECIAL TOOLS - TUNE-UP	30
SPECIFICATIONS	36
STARTER	10
STEERING ARM	8

NOTE: Indented description indicate that these parts are included in preceeding assembly.

AR = As Required

NSS = Not Sold Separate

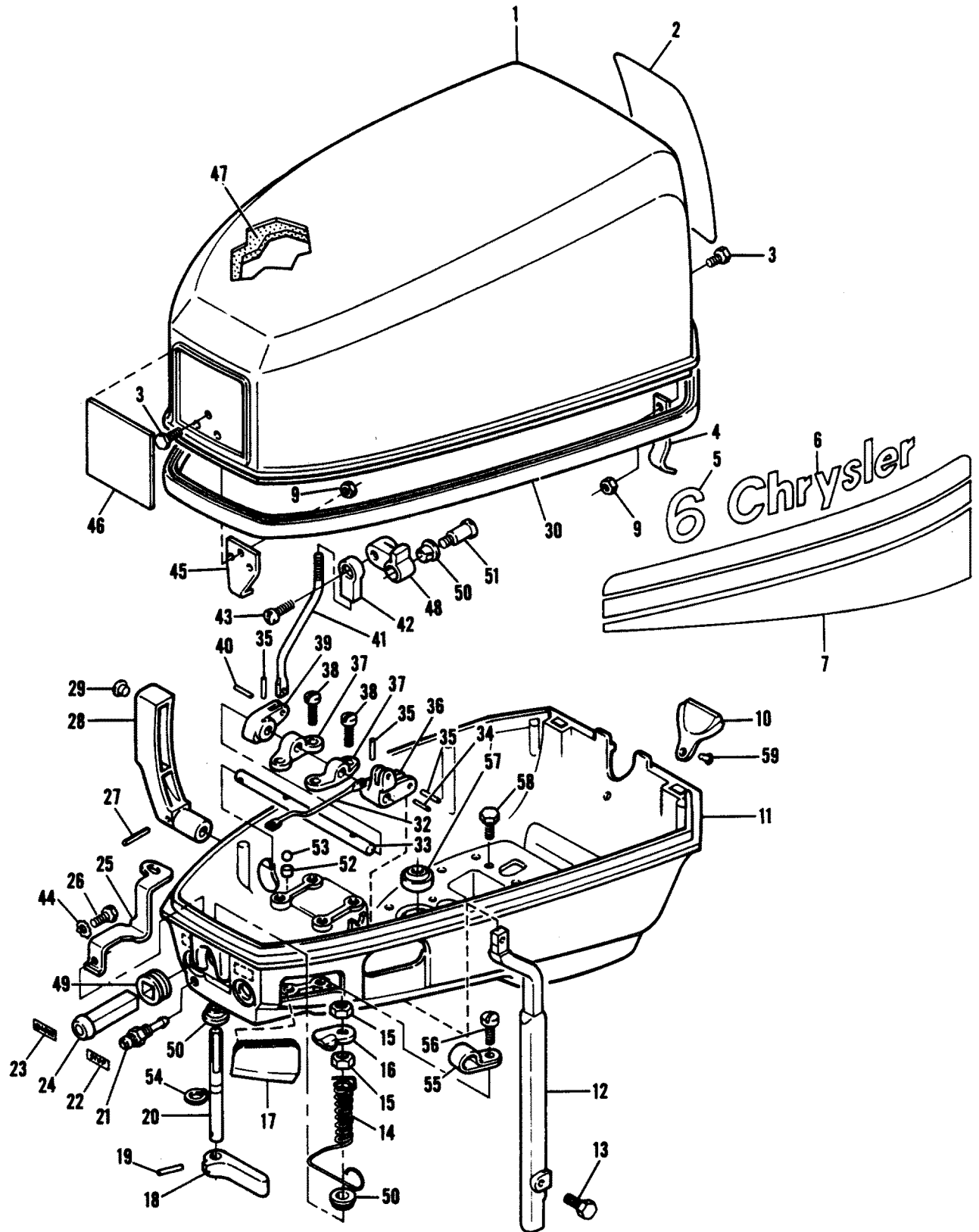
OPT = Optional

NS = Not Shown

THESE PARTS BOOKS/FICHE CARD ARE COPYRIGHTED AND MAY NOT BE DISTRIBUTED OR REPRODUCED IN ANY OTHER FORMAT BY ANYONE OTHER THAN MERCURY MARINE WITHOUT THE PRIOR WRITTEN CONSENT OF MERCURY MARINE.

THIS PAGE INTENTIONALLY LEFT BLANK

ENGINE COVER AND SUPPORT PLATE

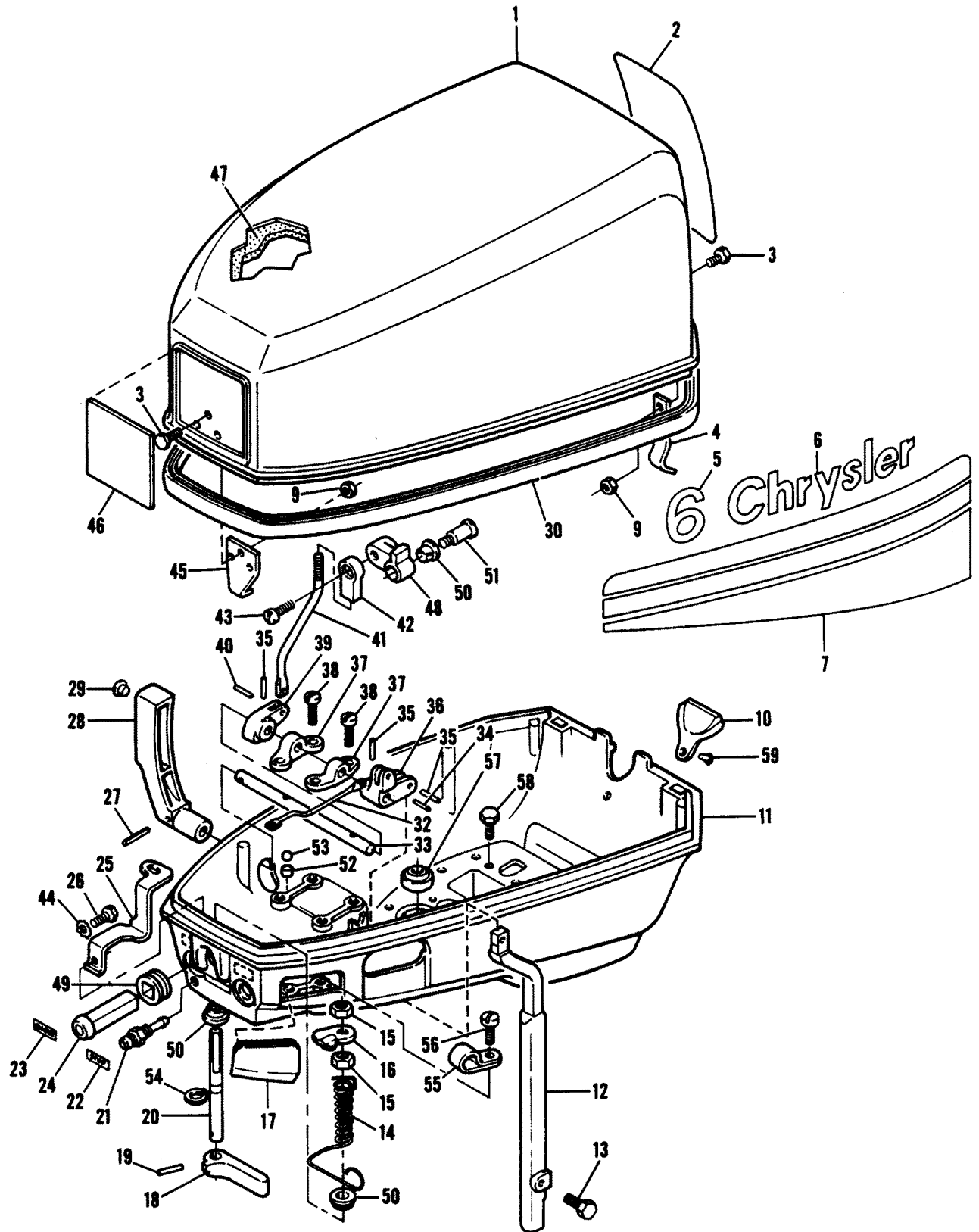


ENGINE COVER AND SUPPORT PLATE

REF. NO.	PART NO.	SYM.	QTY.	DESCRIPTION
1	FS525712		1	ENGINE COVER W/PACKING, REAR RETAINER AND LATCH BRACKET
2	F525528		1	DECAL REAR TRIM
3	F1475		7	FILL HD SCREW, 10 - 24 X 1/2
4	FA525480		2	RETAINER ENGINE COVER W/NUTS & SCREWS
5	F525386-1		2	DECAL, NUMERAL "6"
6	F527392		2	DECAL "CHRYSLER"
7	F525396		1	DECAL STRIPE STARBOARD
-	F525397		1	DECAL STRIPE PORT
9	F7011		7	ELASTIC STOP NUT, 10 - 24
10	525156		1	COVER SUPPORT PLATE REAR
11	FA525038		1	SUPPORT PLATE W/EYELET (62H8J AND 62B8J)
-	FA526038		1	SUPPORT PLATE W/EYELET (67H8A AND 67B8A)
12	F525615		1	ROD GEAR SHIFT UPPER
13	F1950		1	HEX HD SCREW, 10 - 24 X 5/8
14	F525912		1	SPRING LATCH SHAFT
15	F1518		2	NUT, 5/16 - 18
16	F392777		1	CAM COVER LATCH
17	F525840		1	GROMMET REMOTE THROTTLE CABLE
-	F84991-1		1	GROMMET (67HA-BA ONLY) LIGHTING COIL WIRE
18	F525469		1	HANDLE LATCH
19	F8547		1	SPRING PIN, 1/8 X 5/8
20	F525763		1	SHAFT COVER LATCH
21	F197767-1		1	BUSHING FUEL LINE
22	F525390		1	DECAL STOP (U.S.A.)
-	FC525390		1	DECAL STOP (CANADA)
23	F525394		1	DECAL CHOKE (U.S.A.)
-	FC525394		1	DECAL CHOKE (CANADA)
24	F521547		1	CHOKE KNOB
25	F525925		1	LINK CHOKE KNOB
26	F2041		1	HEX HD SCREW, 10 - 24 X 3/8
27	F8567		1	SPRING PIN, 1/8 X 13/16
28	F525614		1	HANDLE GEAR SHIFT
29	F526524		2	RIVET GEAR SHIFT HANDLE
30	FK525713		1	ENGINE COVER PACKING
32	F525263		1	LINK STATOR INTERLOCK
33	F525871		1	SHAFT GEAR SHIFT LEVER
34	F8538		1	SPRING PIN, 3/32 X 1/2
35	F8547		3	SPRING PIN, 1/8 X 5/8
36	F525876		1	LEVER GEAR SHIFT
37	F318818		2	BEARING, SHIFT LEVER SHAFT
38	F1573		4	FILL HD SCREW, 1/4 - 20 X 1/2
39	F525977		1	LEVER SHIFT INTERLOCK

CONTINUED ON NEXT PAGE ➡

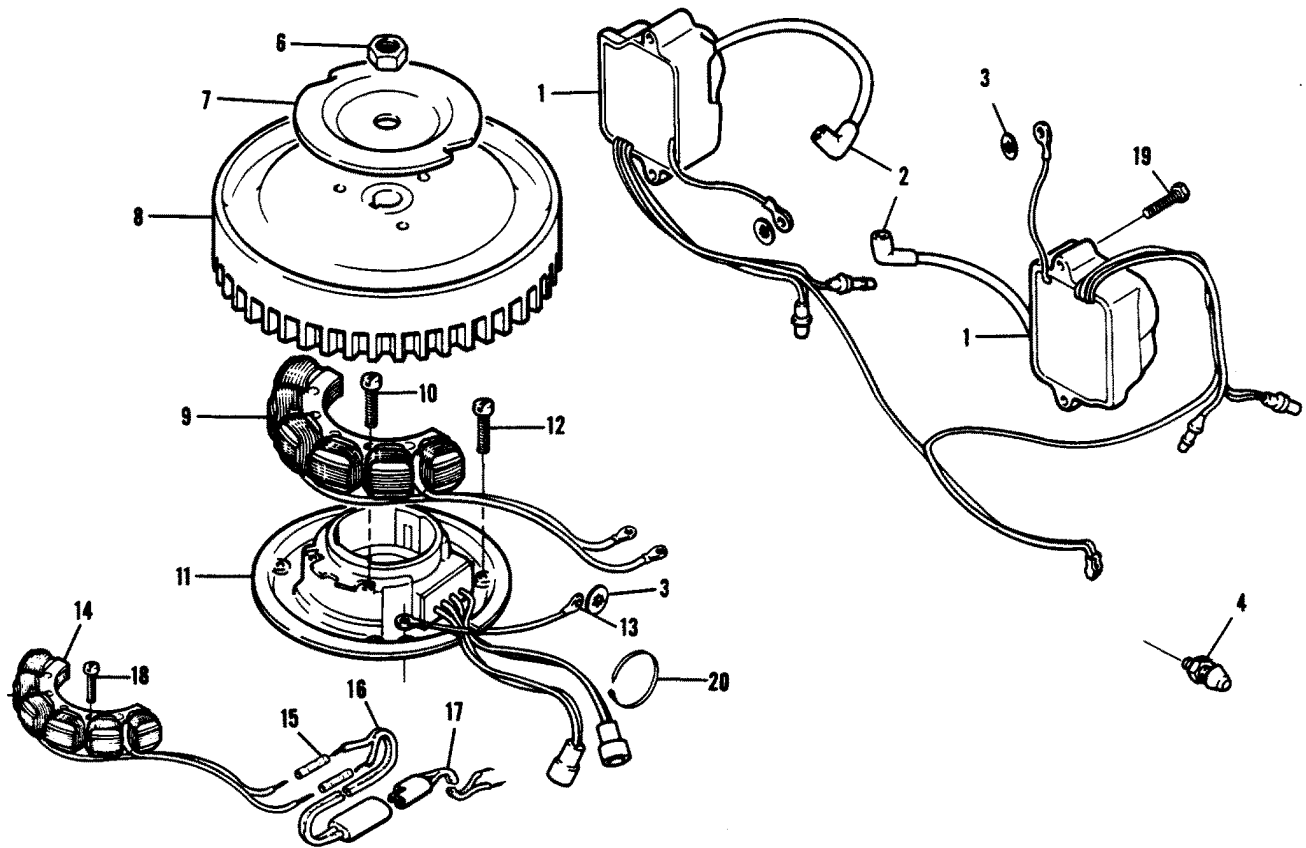
ENGINE COVER AND SUPPORT PLATE



ENGINE COVER AND SUPPORT PLATE

REF. NO.	PART NO.	SYM.	QTY.	DESCRIPTION
40	F1978		1	SPRING PIN, 1/8 X 1/2
41	F525531		1	ROD SHIFT INTERLOCK
42	F84035-2		1	BEARING INTERLOCK ROD
43	F84026		1	SCREW SHOULDER
44	F1975		1	LOCKWASHER, #10
45	FA525774		1	BRACKET COVER LATCH W/SCREWS & NUTS
46	FA525892		1	INSERT PLATE FRONT (U.S.A.)
-	FA525893		1	INSERT PLATE FRONT (CANADA)
47	FK516984		1	BLANKET TOP & SIDES
48	F458977-3		1	LEVER SHIFT INTERLOCK
49	F525504		1	GROMMET, CHOKE ROD
50	F307818		3	BEARING (NYLINER)
51	F85026		1	SCREW
52	F525025		1	PAD SHIFT DETENT
53	F409740		1	BALL CHECK
54	F73741-1		1	RING
55	F178446		1	CLAMP LEAD WIRE
56	F1734		1	SLOTTED FILL HD SCREW, 1/4 - 20 X 1/2
57	F318307		1	SEAL, DRIVESHAFT
58	F1200		2	HEX HD SCREW, 1/4 - 20 X 1/2
59	F2026		1	RIVET, SUPPORT PLATE COVER

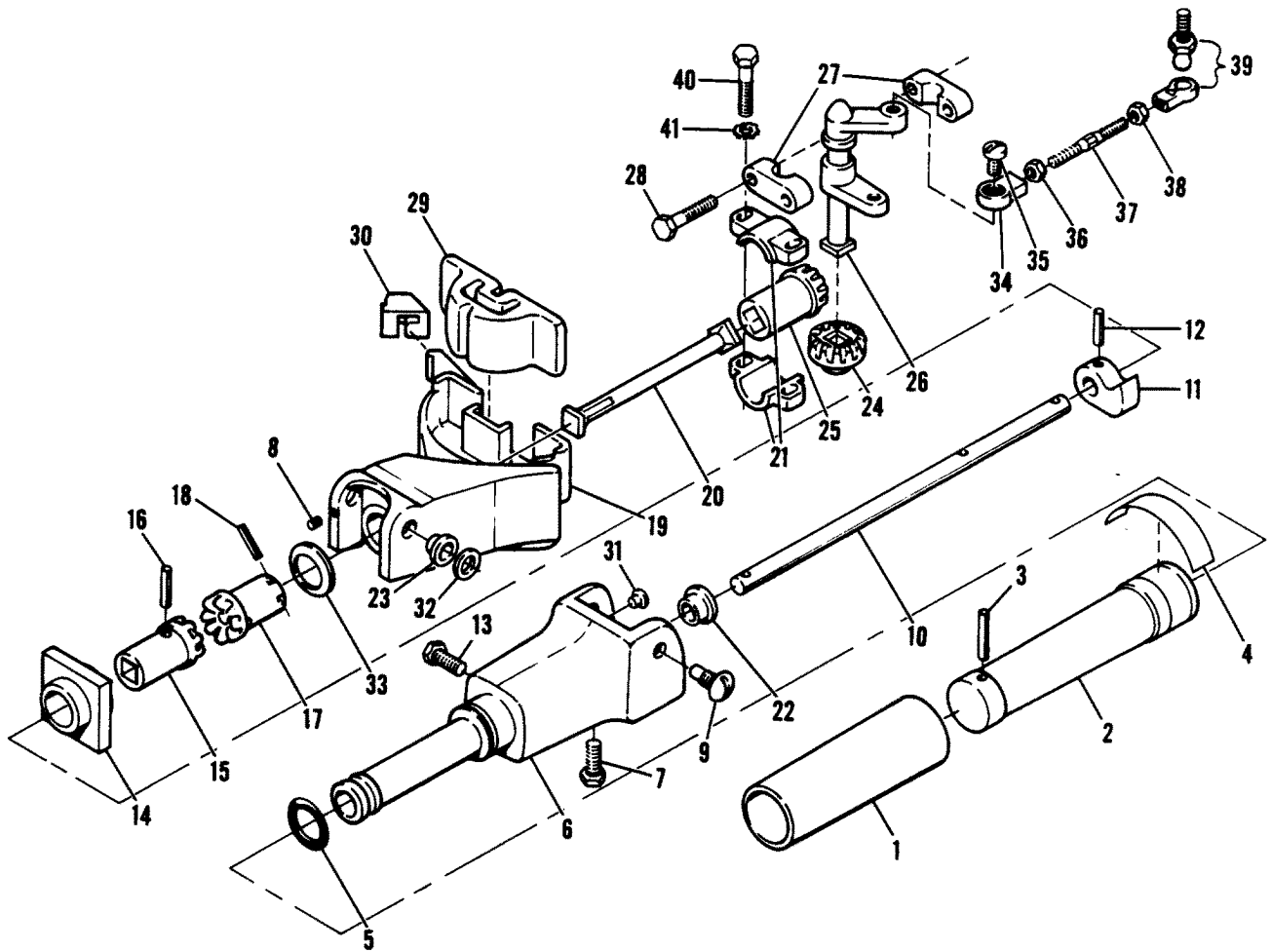
ELECTRICAL COMPONENTS



ELECTRICAL COMPONENTS

REF. NO.	PART NO.	SYM.	QTY.	DESCRIPTION
1	F525475		2	C-D MODULE - COIL
2	FK750-2		2	SPARKIE KIT
3	F2106		3	LOCKWASHER
4	F436449		1	SHORTING SWITCH
6	F1809		1	FLYWHEEL NUT
7	F901456-1		1	COLLAR, EMERGENCY START
8	F525097		1	FLYWHEEL
9	F525301		1	STATOR - C-D
10	F1678		2	FILL HD SCREW, 10 - 24 X 13/16
11	F525029		1	STATOR - TRIGGER
12	F2010		4	FILL HD SCREW, 10 - 32 X 9/16
13	F404908		1	WIRE, STATOR GROUND
14	F525095		1	STATOR ALTERNATOR (67HA, BA ONLY)
15	F448874		2	SPLICE (67HA, BA ONLY)
16	F521843		1	CABLE LIGHTING COIL EXT. (67HA, BA ONLY)
17	FA521841		1	CABLE LIGHTING COIL (67HA, BA ONLY) W/SPLICES
18	F1678		2	SLOTTED FILL HD SCREW, 10 - 24 X 13/16 (67HA, BA ONLY)
19	F525064		4	SCREW - C-D COIL
20	F1877		1	TY-RAP

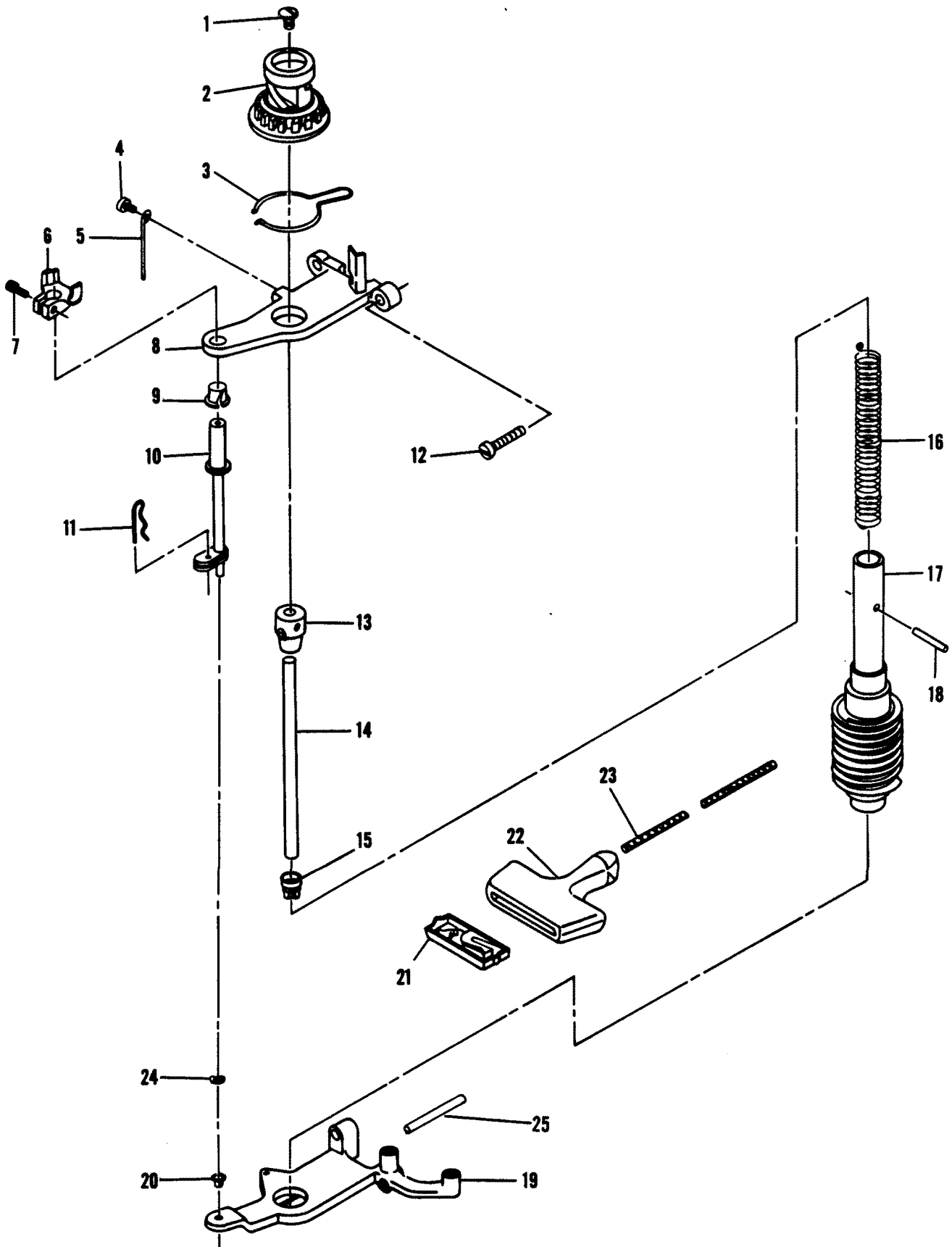
STEERING ARM



STEERING ARM

REF. NO.	PART NO.	SYM.	QTY.	DESCRIPTION
1	F458695		1	SLEEVE, STEERING HANDLE GRIP
2	FA458137		1	GRIP, STEERING HANDLE W/SLEEVE
3	F8548		1	SPRING PIN, 1/8 X 1
4	F286894-3		1	INDICATOR STEERING HANDLE - U.S.A.
-	37-F286894-3		1	INDICATOR STEERING HANDLE - CANADA
5	F53795-1		1	SEAL, STEERING HANDLE DAMPENER
6	F525079		1	HANDLE-STEERING
7	F525552		1	SCREW, STEERING HANDLE BEARING
8	F1449		1	HEX SET SCREW, 10 - 24 X 1/4
9	F525080		2	SCREW, STEERING HANDLE PIVOT
10	F525688		1	SHAFT, STEERING HANDLE
11	F525198		1	THROTTLE STOP
12	F8547		1	SPRING PIN, 1/8 X 5/8
13	F458519		1	SCREW, IDLE STOP
14	F525816		1	BEARING, STEERING HANDLE GEAR
15	F525815		1	GEAR, STEERING HANDLE
16	F8567		1	SPRING PIN, 1/8 X 13/16
17	F525691		1	GEAR, STEERING ARM
18	F8540		1	SPRING PIN, 3/32 X 5/8
19	F525582-1		1	STEERING ARM
20	F525877		1	SHAFT, MAGNETO CONTROL
21	F525665		2	BEARING, GEAR PINION TOWERSHAFT
22	F307818		1	BEARING, STEERING HANDLE SHAFT
23	F390689		2	BEARING, STEERING ARM PIVOT SCREW
24	F525605		1	GEAR, TOWERSHAFT
25	F525627		1	GEAR, TOWERSHAFT PINION
26	F525838		1	TOWERSHAFT
27	F525689		2	TOWERSHAFT BEARING
28	F1699		2	HEX HD SCREW, 1/4 - 20 X 1 1/8
29	F318347-1		1	UPPER MOUNT
30	F318539		1	BUMPER
31	F525524		1	RIVET, STEERING HANDLE
32	F525220		2	WASHER, STEERING HANDLE
33	F8043		1	WAVE WASHER
34	F84036		1	BEARING, SPARK CONTROL
35	F84026		1	SHOULDER SCREW
36	F7027		1	NUT (LEFT HAND), 10 - 24
37	F525445		1	LINK, MAGNETO STATOR CONTROL
38	F1513		1	NUT, 10 - 32
39	817747--1		1	JOINT, BALL ASSEMBLY
40	F525751		2	SCREW
41	F8060		2	LOCKWASHER

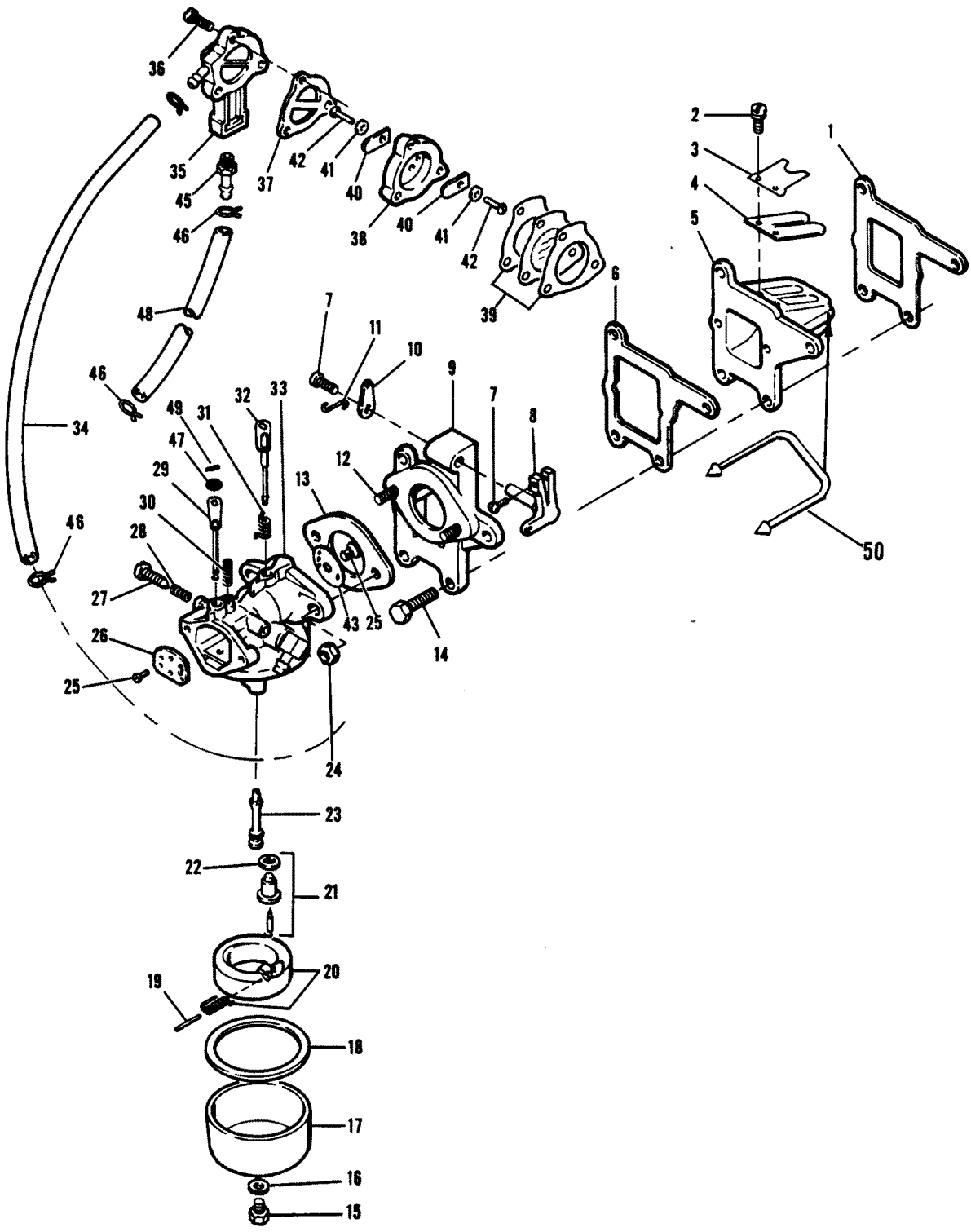
STARTER



STARTER

REF. NO.	PART NO.	SYM.	QTY.	DESCRIPTION
1	F1156		1	FLAT HD SCREW, 1/4 - 20 X 1/2
2	F525674		1	GEAR STARTER PINION
3	F525424		1	SPRING STARTER PINION
4	F1760		1	PAN HD SCREW, 10 - 24 X 3/8
5	F525455		1	GUIDE STARTER ROPE
6	F525781		1	INTERLOCK STARTER
7	F2031		1	HEX HD SCREW, 1/4 - 20 X 3/4
8	F525427		1	BRACKET STARTER UPPER
9	F269689		1	BEARING STARTER BRACKET UPPER
10	F525105		1	SHAFT INTERLOCK
11	F525629		1	COTTER PIN
12	F1052		4	FILL HD SCREW, 1/4 - 20 X 1
13	F901739		1	DRIVE STARTER REWIND SPRING
14	F901710		1	POST STARTER SPRING GUIDE
15	F525737		1	RETAINER STARTER REWIND SPRING
16	F901970		1	SPRING STARTER REWIND
17	FA525239		1	SPOOL STARTER W/SCREW
18	F40425		1	PIN STARTER PINION
19	F525675		1	BRACKET STARTER LOWER
20	F197813		1	BEARING STARTER BRACKET LOWER
21	817938A1		1	RETAINER STARTER ROPE HANDLE
22	F286132		1	HANDLE STARTER ROPE
23	F409232		1	ROPE STARTER
24	F8070		1	BOWED SPRING WASHER
25	F8571		1	SPRING PIN, 1/8 X 1 3/4

FUEL SYSTEM

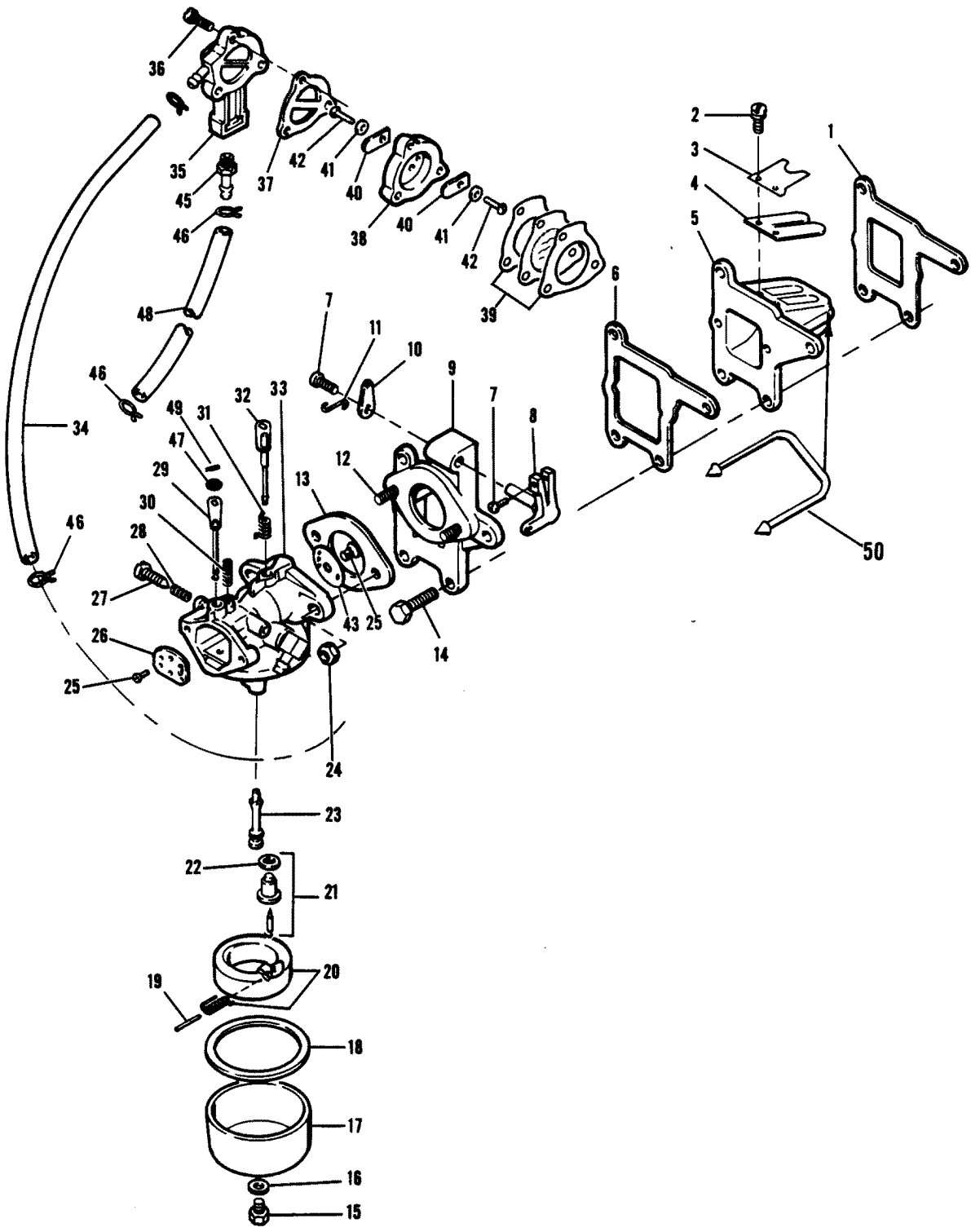


FUEL SYSTEM

REF. NO.	PART NO.	SYM.	QTY.	DESCRIPTION
1	F525159		1	GASKET, REED PLATE
2	F1755		4	RD HD SCREW & SPRING LOCKWASHER ASSEMBLY, 6 - 32 X 5/16
3	F525161		2	REED STOP
4	F31160-1		2	REED
5	F2A525158		1	PLATE REED W/SEAL
6	F525168		1	GASKET MANIFOLD
7	F1772		2	HEX HD SCREW, 8 - 32 X 1/2
8	F525316-1		1	FOLLOWER THROTTLE CAM
9	FA525167		1	MANIFOLD W/STUDS
10	F525081		1	LEVER THROTTLE
11	F525193		1	LINK THROTTLE
12	F2788004		2	STUD CARBURETOR
13	F18906		1	GASKET CARBURETOR
14	F1953		4	HEX HD SCREW, 1/4 - 20 X 1
15	F10096		1	JET ASSEMBLY (.039) STANDARD (FOR OTHER THAN STANDARD, SEE BELOW)
16	F10090		1	GASKET FUEL BOWL RETAINER
17	F10058		1	FUEL BOWL
18	F10068		1	GASKET BODY TO BOWL
19	F10064		1	SHAFT - FLOAT
20	F10063		1	FLOAT
21	F10092		1	KIT - VALVE, SEAT, SPRING & GASKET
22	F10066		1	GASKET VALVE SEAT
23	F10082		1	NOZZLE
24	F1490		2	NUT, 1/4 - 20
25	F10070		2	SCREW ASSEMBLY - CHOKE VALVE
26	F10062		1	CHOKE VALVE ASSEMBLY
27	F10077		1	NEEDLE - IDLE
28	F10073		1	SPRING IDLE NEEDLE
29	F10061		1	CHOKE SHAFT ASSEMBLY
30	F10072		1	SPRING CHOKE STOP
31	F10085		1	SPRING THROTTLE RETURN
32	F10081		1	SHAFT ASSEMBLY - THROTTLE
33	F525061		1	CARBURETOR
34	F84253		1	HOSE
35	F901746-2		1	COVER FUEL PUMP
36	F1069		3	FILL HD SCREW, 10 - 24 X 1 1/16
37	F24748-2		1	GASKET FUEL PUMP
38	FA24757-3		1	PLATE FUEL PUMP REED W/REEDS & SCREWS
39	27-818043A1		1	DIAPHRAGM, FUEL PUMP W/GASKETS
40	F18160-2		2	REED FUEL PUMP
41	F8003		2	PLAIN WASHER
42	F1286		0	2 PAN HD SCREW, #4 - 40 X 3/16

CONTINUED ON NEXT PAGE ➡

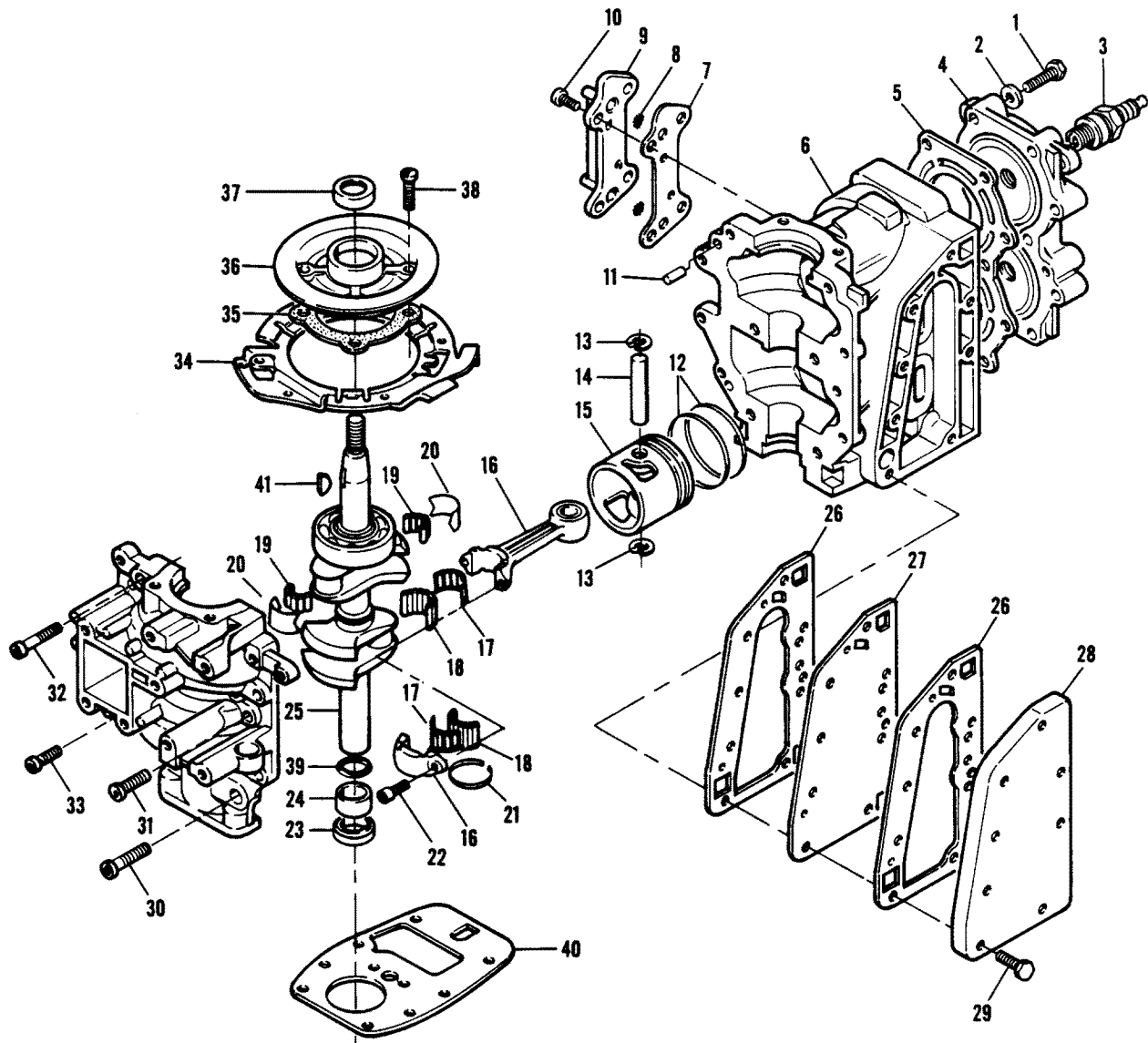
FUEL SYSTEM



FUEL SYSTEM

REF. NO.	PART NO.	SYM.	QTY.	DESCRIPTION
43	F10091		1	VALVE THROTTLE
44	F10071		1	SCREW, THROTTLE VALVE
45	F901811		1	FILTER FUEL PUMP
46	F2706772		4	CLAMP HOSE
47	F2042		1	WASHER
48	F84253		1	HOSE
49	F1015		1	COTTER PIN
50	F525984		1	SEAL, REED PLATE
-	F10087		1	REPAIR KIT (INCL ITEMS PRECEDED WITH **)
-	F10069		1	GASKET KIT (INCL ITEMS PRECEDED WITH *)

POWER HEAD

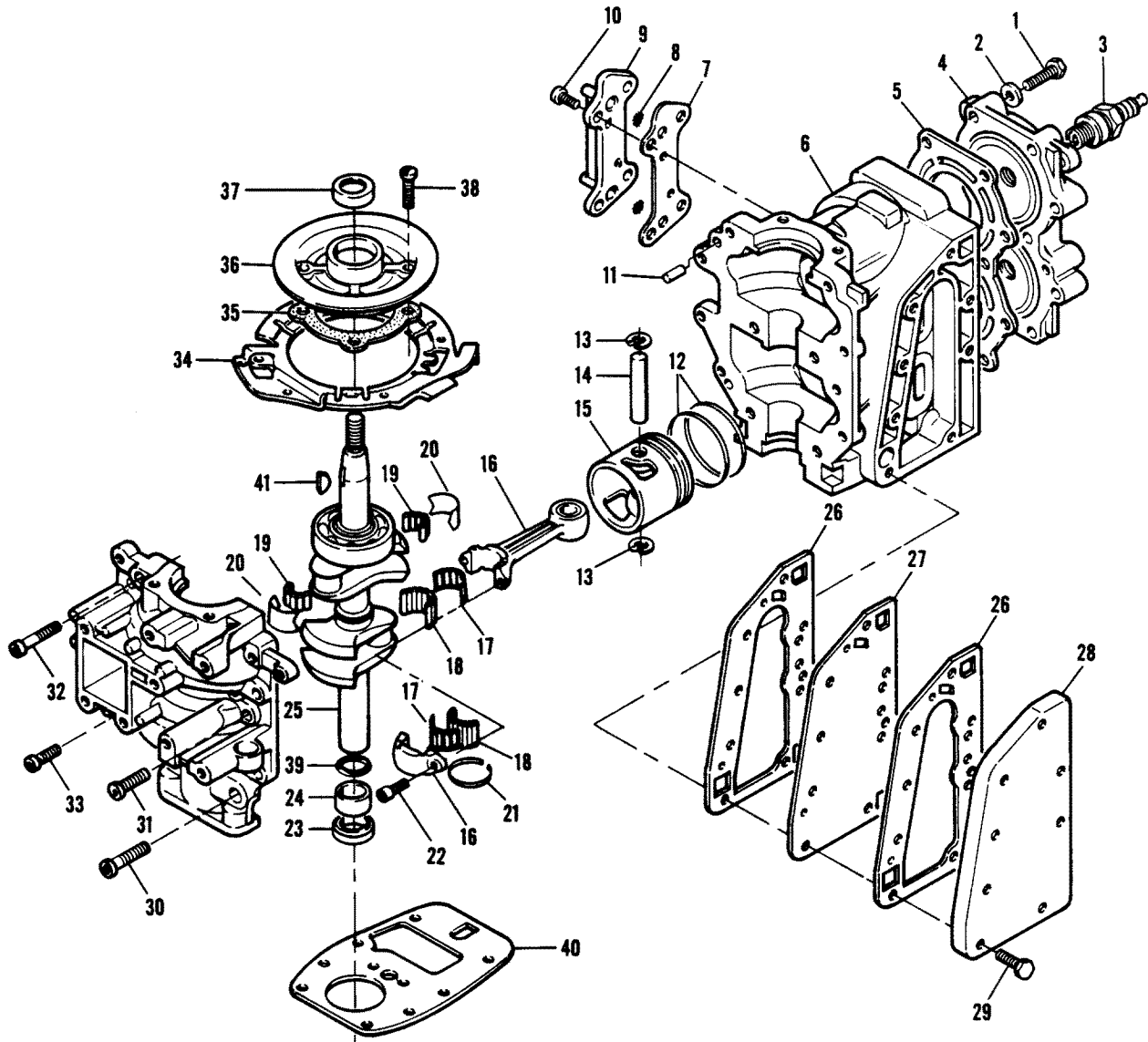


POWER HEAD

REF. NO.	PART NO.	SYM.	QTY.	DESCRIPTION
1	F901938-1		10	SCREW, CYLINDER HEAD
2	F8025		10	PLAIN WASHER
3	33-82370M		2	SPARK PLUG (L-86)
-	C341227-1		2	SPARK PLUG (QL-86) CANADA ONLY
4	F525518		1	CYLINDER HEAD
5	F525529		1	GASKET, CYLINDER HEAD
6	F2A525010		1	CYLINDER
7	F525472		1	GASKET, CYLINDER DRAIN COVER
8	F429811		2	SCREEN, CYLINDER DRAIN
9	FA525471		1	COVER, CYLINDER DRAIN W/SCREEN
10	F1110		4	SCREW, 1/4 - 20 X 5/8
11	F8559		2	DOWEL PIN
12	39-818038A1		2	PISTON RING
13	F250410		4	PISTON PIN RETAINING RING
14	F250017		2	PISTON PIN
15	F525015		2	PISTON
16	F2A521016		2	CONNECTING ROD W/ITEM 22
17	FA525241		2	CRANKPIN ROLLER CAGE
18	FA525228		2	ROLLER CRANKPIN
19	F286571		1	ROLLER ASSEMBLY, CENTER MAIN BEARING
20	FA286155		1	LINER, CENTER MAIN
21	F525579		1	CRANKCASE SEAL
22	F36634		4	CONNECTING ROD SCREW
23	F141118		1	SEAL, CRANKSHAFT LOWER
24	F341014		1	BEARING, CRANKSHAFT LOWER MAIN
25	F2A525018		1	CRANKSHAFT W/UPPER BEARING
26	F525154		2	GASKET EXHAUST
27	F525151		1	PLATE EXHAUST
28	F525152		1	COVER EXHAUST
29	F1953		8	SCREW, 1/4 - 20 X 1
30	F1257		2	SCREW, 5/16 - 18 X 1 1/4
31	F1994		2	SCREW, 5/16 - 18 X 1
32	F1044		2	SCREW, 1/4 - 20 X 1 3/8
33	F1107		6	SCREW, 1/4 - 20 X 3/4
34	F525082		1	RING STATOR
35	F286277		1	GASKET, CRANKSHAFT BEARING CAGE
36	1100-817753A1		1	CAGE, CRANKSHAFT BEARING W/UPPER CRANKSHAFT SEAL
37	F346146		1	SEAL, CRANKSHAFT UPPER
38	F1111		4	FILL HD SCREW, 1/4 - 20 X 7/8
39	F468342		1	SEAL, CRANKSHAFT SPLINE
40	F525279		1	GASKET, CYLINDER MOUNTING
41	F458498		1	MAGNETO KEY
-	FC525010		1	CYLINDER COMPLETE (NOT SHOWN)

CONTINUED ON NEXT PAGE ➡

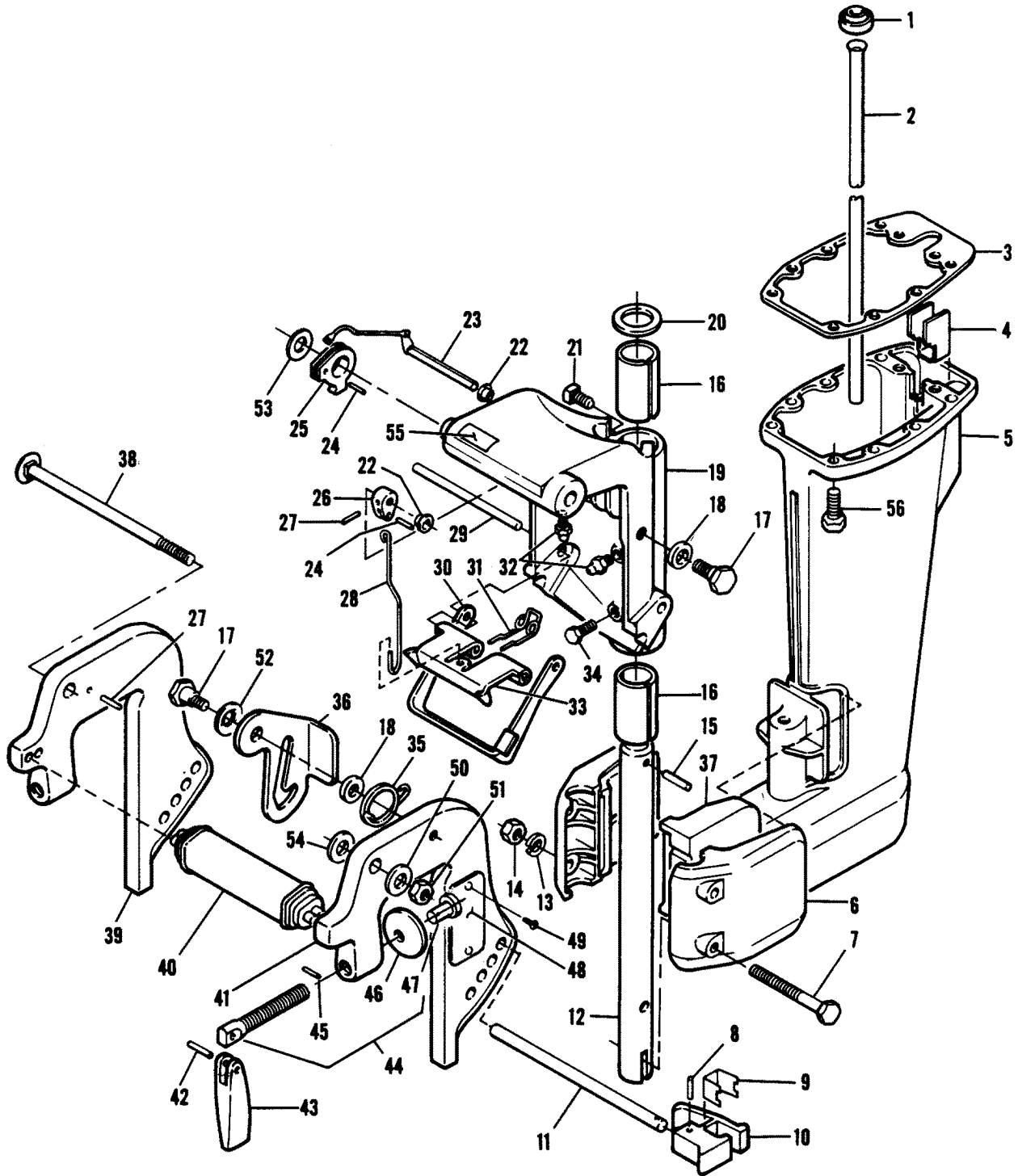
POWER HEAD



POWER HEAD

REF. NO.	PART NO.	SYM.	QTY.	DESCRIPTION
-	FG1018		1	GASKET SET (SEE BELOW)
-	F18906		1	GASKET, CARB.
-	F286277		1	GASKET, C'SHAFT BRG. CAGE
-	F525154		2	GASKET, EXHAUST
-	F525159		1	GASKET, REED PLATE
-	F525168		1	GASKET, MANIFOLD
-	F525279		1	GASKET, CYL. MOUNTING
-	F525453		1	GASKET, LEG MOUNTING
-	F525529		1	GASKET, CYL. HEAD
-	F525472		1	GASKET, CYL. DRAIN COVER

MOTOR LEG

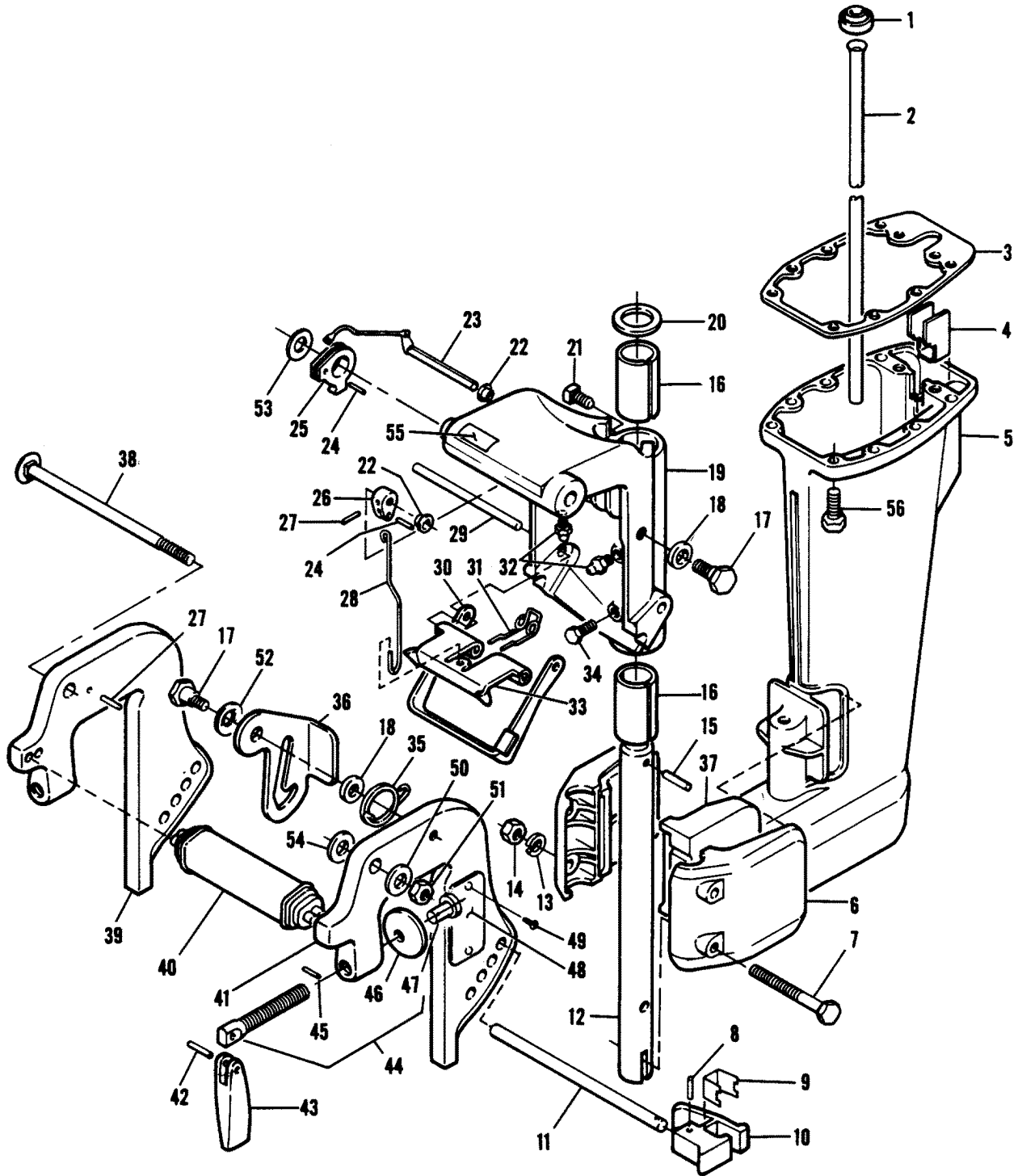


MOTOR LEG

REF. NO.	PART NO.	SYM.	QTY.	DESCRIPTION
1	F318342		1	SEAL, WATERLINE INLET UPPER
2	F525244		1	WATERLINE (STD. LEG)
-	F526244		1	WATERLINE (LONG LEG)
3	F525453		1	GASKET LEG MOUNTING
4	F525779		1	BAFFLE IDLE RELIEF
5	F525133		1	MOTOR LEG
6	F525707		2	COVER, SHOCK MOUNT LOWER
7	F1972		2	HEX HD SCREW, 1/4 - 20 X 2 1/2
8	F8540		1	SPRING PIN, 3/32 X 5/8
9	F286461		1	SPRING LOCK BAR HANDLE
10	F286114		1	HANDLE LOCK BAR
11	FA286113		1	BAR LOCK W/8, 9, 10
12	F525019		1	KINGPIN
13	F8083		2	LOCKWASHER
14	F1341		2	NUT, 1/4 - 20
15	F1805		1	SPRING PIN, 1/4 X 1 3/8
16	F286169		2	BEARING SWIVEL BRACKET
17	F286422-1		2	PIVOT TILT LOCK
18	F286451		2	SPACER TILT LOCK
19	1400-817964A2		1	SWIVEL BRACKET W/16, 32
20	F286011		1	WASHER SWIVEL BRACKET
21	F525839		1	SCREW, STEERING FRICTION
22	F197813		2	BEARING
23	FA387742		1	LEVER REVERSE LOCK INTERMEDIATE
24	F1794		2	SPRING PIN, 3/32 X 3/8
25	F286827		1	LEVER REVERSE LOCK RELEASE
26	F286364		1	LEVER REVERSE LOCK
27	F8538		2	SPRING PIN, 3/32 X 1/2
28	F341510		1	LINK REVERSE LOCK LEVER
29	F1806		1	GROOVE PIN, 5/16 - 3 3/4
30	F286433		1	BRACKET SHALLOW WATER DRIVE
31	F286300		1	SPRING REVERSE LOCK
32	F213274		2	FITTING GREASE
33	F286349		1	LOCK REVERSE
34	F1467		1	SCREW SWIVEL BRACKET
35	F286544-1		1	SPRING TILT LOCK
36	F429541		1	LOCK TILT
37	F525346		2	MOUNT LOWER SHOCK
38	F286037		1	BOLT STERN BRACKET
39	FS567532		1	BRACKET STERN STARBOARD W/SCREW CLAMP
40	F286647		1	HANDLE CARRYING
41	FS567532		1	BRACKET STERN PORT W/SCREW CLAMP
42	F8554		2	SPRING PIN, 3/16 X 3/4

CONTINUED ON NEXT PAGE ➡

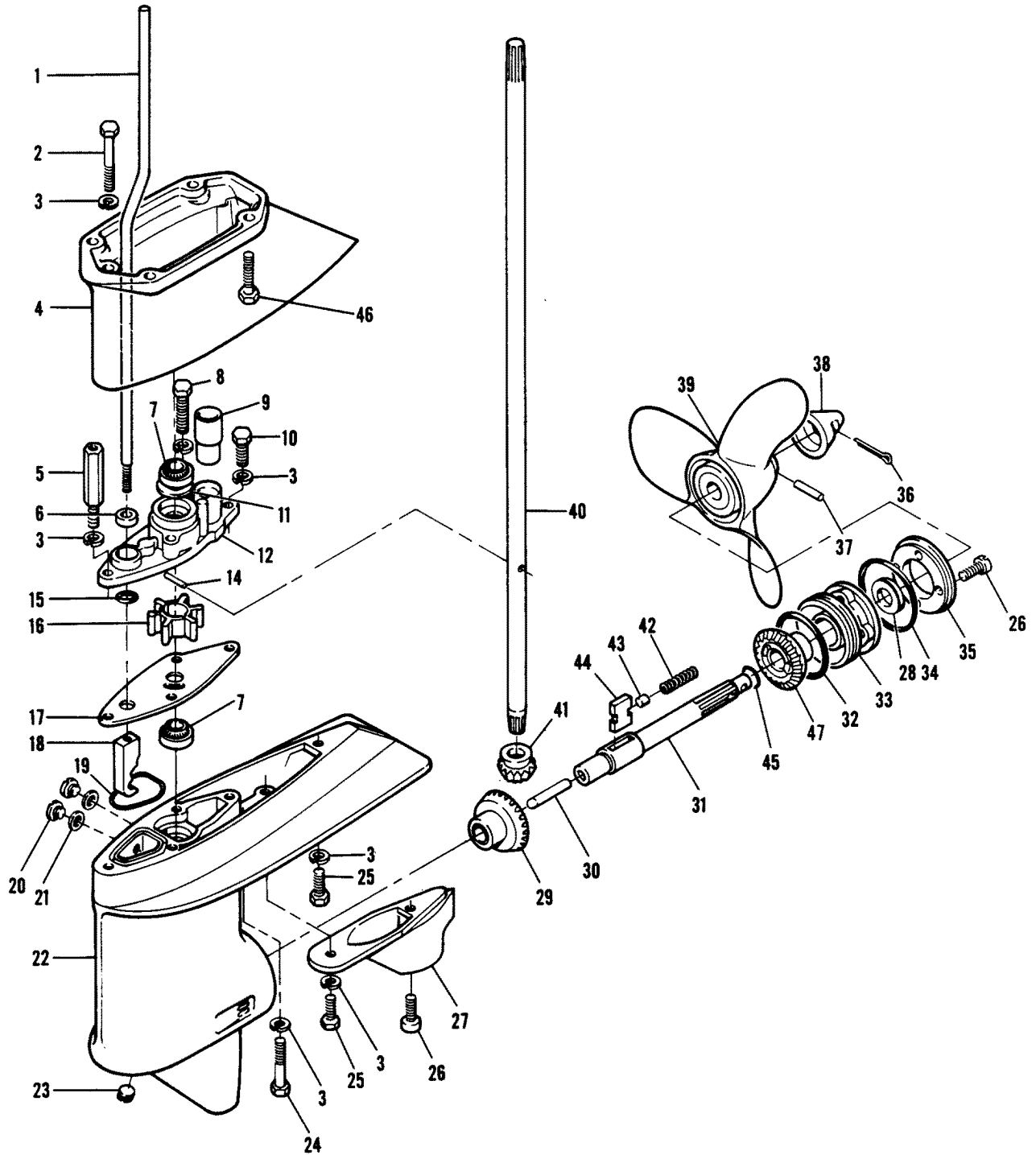
MOTOR LEG



MOTOR LEG

REF. NO.	PART NO.	SYM.	QTY.	DESCRIPTION
43	F424075		2	HANDLE CLAMP SCREW
44	817761A2		2	SCREW CLAMP W/45, 46, 47
45	F8537		2	SPRING PIN
46	F24074		2	FOOT CLAMP SCREW
47	F66480		2	STUD CLAMP SCREW
48	FA77395-5		1	IDENTIFICATION PLATE - U.S.A. W/SCREWS
-	AC16395-8		1	IDENTIFICATION PLATE - CANADA W/SCREWS
49	F1447		2	RD HD DRIVE SCREW, #2 X 3/16
50	F8039		1	PLAIN WASHER
51	F7005		1	NUT, 3/8 - 16
52	F1666		1	WAVE WASHER
53	F525286		1	WASHER
54	F286286-1		1	WASHER
55	F286585-1		1	DECAL, TILT RELEASE - U.S.A.
-	37-F286585-2		1	DECAL, TILT RELEASE - CANADA
56	F1833		8	HEX CAP SCREW, 1/4 - 20 X 1

GEAR HOUSING

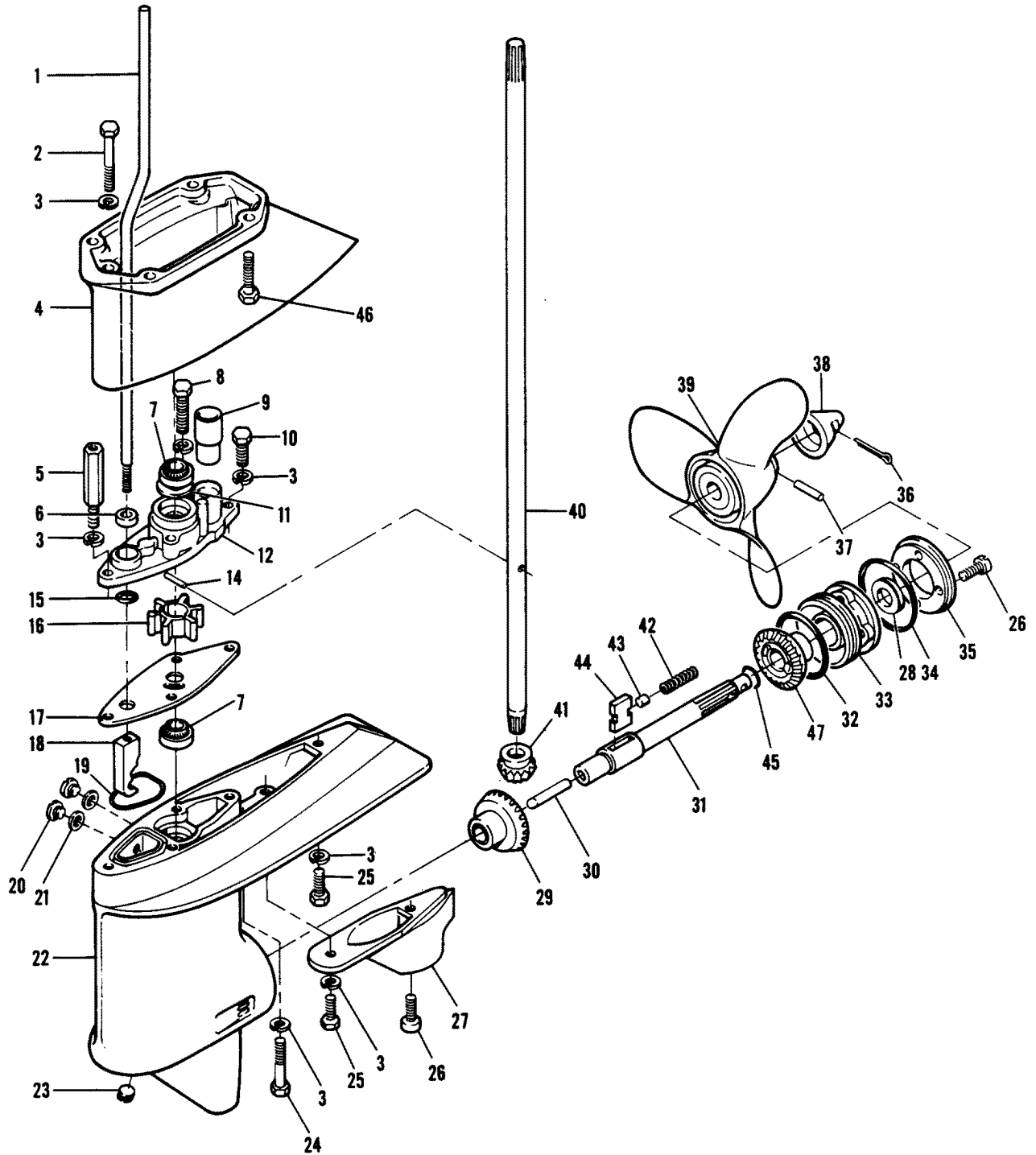


GEAR HOUSING

REF. NO.	PART NO.	SYM.	QTY.	DESCRIPTION
1	F525705		1	ROD, GEAR SHIFT (STD. LEG)
-	F526705		1	ROD, GEAR SHIFT (LONG LEG)
2	F1175		1	HEX HD CAP SCREW, 1/4 - 20 X 1 7/8 (STD. LEG)
-	F1825		1	HEX HD CAP SCREW, 1/4 - 20 X 6 (LONG LEG)
3	F8083		8	SPRING LOCKWASHER
4	F525845		1	EXTENSION MOTOR LEG (STD. LEG)
-	F526845		1	EXTENSION MOTOR LEG (LONG LEG)
5	F521006		1	STUD, GEAR HOUSING FRONT
6	F338618-1		1	SEAL, GEAR SHIFT ROD LOWER
7	F318307		2	SEAL
8	F1891		2	HEX HD SCREW, 1/4 - 20 X 1 1/2
9	FA510914		1	SEAL, WATERLINE
10	F2008		1	HEX HD SCREW, 1/4 - 20 X 7/8
11	525388		1	DISC, WATER PUMP LOCATING
12	FA525060		1	WATER PUMP BODY W/GEAR SHIFT ROD SEAL, WATERLINE SEAL, LOCATING DISC, DRIVESHAFT SEAL.
14	F390563		1	PIN, WATER PUMP IMPELLER DRIVE
15	F474342		1	SEAL, WATER PUMP GEAR SHIFT ROD
16	F525065		1	IMPELLER
17	F525562		1	PLATE, WATER PUMP BACK
18	F459721-1		1	CLUTCH SHIFT CAM
19	F525555		1	SEAL, SHIFT ROD CAVITY
20	F50109		2	PLUG, GEAR HOUSING
21	F8077		2	WASHER
22	FA525054		1	GEAR HOUSING W/PLUGS, WASHERS, DRIVESHAFT UPPER BEARING, PROP SHAFT BEARING, DRIVESHAFT SEAL BEVEL PINION BEARING
23	F19109		1	PLUG
24	F1990		2	HEX HD SCREW, 1/4 - 20 X 1 5/8
25	F1705		2	HEX CAP SCREW, 1/4 - 20 X 3/4
26	F525457		5	SCREW
27	FA525116		1	SNOUT
28	F521307		1	PROPSHAFT SEAL
29	FA521023		1	BEVEL GEAR W/BEARING
30	F901728		1	PIN CLUTCH SHIFT
31	F525098		1	PROPELLER SHAFT
32	F525305		1	SEAL, PROP SHAFT
33	FA525298		1	PROP SHAFT CAGE W/PROP SHAFT THRUST BEARING, PROP SHAFT BEARING, PROP SHAFT SEAL.
34	F521305		1	SEAL, PROP SHAFT BEARING CAGE
35	F521296		1	RETAINER, PROP SHAFT BEARING CAGE
36	F1846		1	COTTER PIN
37	FA324101		1	PROPELLER PIN W/ITEM 36
38	11-817752A1		1	PROPELLER NUT W/COTTER PIN

CONTINUED ON NEXT PAGE ➡

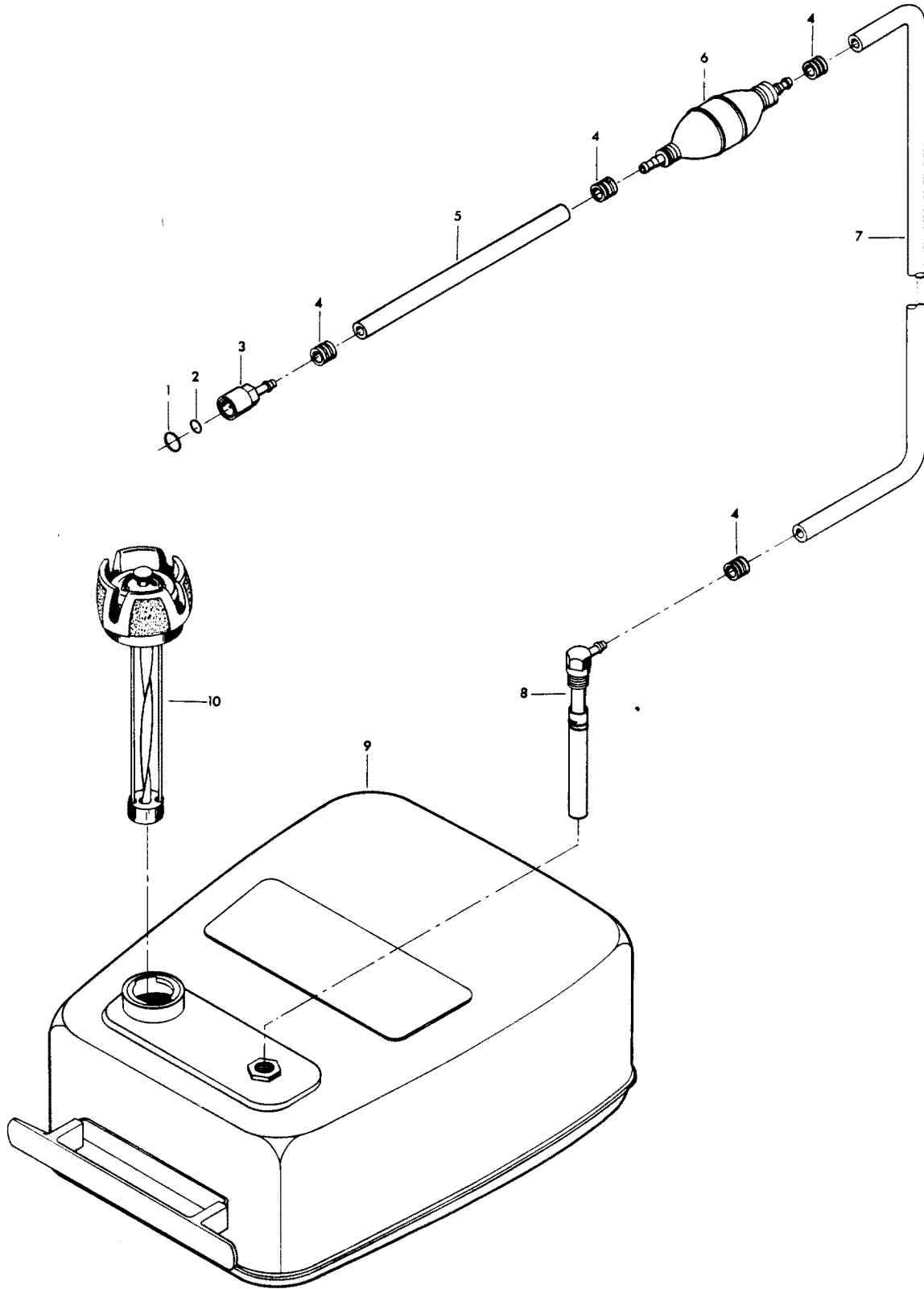
GEAR HOUSING



GEAR HOUSING

REF. NO.	PART NO.	SYM.	QTY.	DESCRIPTION
39	FP342		1	PROPELLER
40	F525128		1	DRIVESHAFT (STD. LEG)
-	F526128		1	DRIVESHAFT (LONG LEG)
41	F521266		1	GEAR, BEVEL PINION
42	F409719		1	CLUTCH SPRING
43	F318372		1	CLUTCH PIN GUIDE
44	F409521		1	CLUTCH SHIFT
45	F317717		1	WASHER, BEVEL GEAR THRUST
46	F430732		4	MOTOR LEG EXTENSION TO GEAR HOUSING SCREWS
47	F521023		1	BEVEL GEAR
-	FC525054		1	GEAR HOUSING COMPLETE (NOT SHOWN) INCLUDES ALL ITEMS MARKED WITH AN ASTERISK (*).

FUEL TANK AND LINE



FUEL TANK AND LINE

REF. NO.	PART NO.	SYM.	QTY.	DESCRIPTION
1	F213342		1	SEAL, FUEL LINE COUPLER
2	F213735		1	SEAL, FUEL LINE COUPLER
3	F197787-3		1	FUEL LINE COUPLER
4	F298788		4	FERRULE
5	FA84754-1		1	FUEL LINE SHORT W/FERRULES
6	89396A38		1	PRIME BULB
7	32-817738A1		1	FUEL LINE, LONG W/CLAMP AND FERRULE
8	F487755		1	FUEL TANK ADAPTER
9	F5H027		1	FUEL TANK (ACCESSORY ITEM)
10	F409251-1		1	GAUGE CAP
-	FS409752		1	FUEL LINE COMPLETE (NOT SHOWN)
-	FC409398		1	DECAL (NOT SHOWN)

SPECIAL TOOLS - TUNE-UP

REF. NO.	PART NO.	SYM.	QTY.	DESCRIPTION
-	FT2909		0	KNOCK-OFF NUT TO REMOVE FLYWHEEL
-	FT2989		0	FLYWHEEL WEDGE TO REMOVE FLYWHEEL

SPECIAL TOOLS - STARTER

REF. NO.	PART NO.	SYM.	QTY.	DESCRIPTION
-	FT2985		0	STARTER REWIND KEY TO REWIND STARTER SPRING

SPECIAL TOOLS - POWER HEAD

REF. NO.	PART NO.	SYM.	QTY.	DESCRIPTION
-	FT3012		0	SEAL INSTALLER TO INSTALL UPPER CRANKSHAFT BEARING CAGE SEAL
-	FT8929		0	ADAPTER AND HEX BIT TO TORQUE CONNECTING ROD SCREWS
-	FT2997		0	RING COMPRESSOR TO INSTALL PISTONS IN CYLINDERS
-	FT8926		0	PISTON RING EXPANDER TO INSTALL RINGS ON PISTONS

SPECIAL TOOLS - LOWER UNIT

REF. NO.	PART NO.	SYM.	QTY.	DESCRIPTION
-	FT2915		0	SEAL INSTALLER TO INSTALL DRIVESHAFT SEAL
-	FT2907		0	SEAL INSTALLER TO INSTALL PROPELLER SHAFT SEAL
-	FT8948-1		0	BEARING CAGE PULLER TO REMOVE PROPELLER SHAFT BEARING CAGE

SPECIAL TOOLS - TEST EQUIPMENT

REF. NO.	PART NO.	SYM.	QTY.	DESCRIPTION
-	FT8950		0	LEAKAGE TESTER TO TEST LOWER UNIT SEALS FOR LEAKS
-	T8974		0	BREAKER POINT TENSION GAUGE FOR CHECKING BREAKER POINT SPRING TENSION

ACCESSORIES

REF. NO.	PART NO.	SYM.	QTY.	DESCRIPTION
-	F5H104		0	LIGHTING COIL PROVIDES 12 VOLT, 60 WATT OUTPUT FOR OUTBOARD RUNNING LIGHTS
-	F5H105		0	BATTERY CHARGING SYSTEM USED IN CONJUNCTION WITH 5H104 LIGHTING COIL KIT OR 67HA MODEL ENGINES
-	F5H113		0	REMOTE CONTROL KIT PERMITS REMOTE CONTROL OF THROTTLE, GEAR SHIFT AND STEERING FROM FRONT OF BOAT
-	F5H114		0	REMOTE STEERING BRACKET ADAPTS MOTOR TO CABLE TYPE REMOTE STEERING

SPECIFICATIONS

REF. NO.	PART NO.	SYM.	QTY.	DESCRIPTION
-			0	HORSEPOWER 6 B.I.A. CERTIFIED BRAKE H.P. AT 4750 R.P.M.
-			0	ENGINE TWO-CYCLE, TWIN CYLINDER, ALTERNATE FIRING.
-			0	BORE AND STROKE 2" X 1.584"
-			0	DISPLACEMENT 10.0 CUBIC INCHES (6 H.P.).
-			0	CARBURETOR FLOAT FEED.
-			0	CONNECTING ROD STEEL FORGING - STEEL CAGES WITH NEEDLE BEARINGS AT CRANKSHAFT.
-			0	CRANKSHAFT FORGED NICKEL STEEL. BALL BEARINGS AT UPPER MAIN. FULL COMPLEMENT NEEDLE ROLLERS AT CENTER MAIN.
-			0	RECOMMENDED OPERATING RANGE 4250 - 5250 R.P.M.
-			0	FUEL TANK SEPARATE STEEL TANK - 6 U.S. GALLONS, 5 IMPERIAL GALLONS.
-			0	PROPELLER SHAFT AND DRIVESHAFT STAINLESS STEEL, HARDENED, GROUND AND POLISHED.
-			0	PROPELLER 8-1/8" DIAMETER, 7-3/4" PITCH, RIGHT HAND ROTATION, 3 BLADE.
-			0	COOLING WATER COOLED - POSITIVE DISPLACEMENT TYPE WATER PUMP.
-			0	TRANSOM HEIGHT 15" OR 20".
-			0	WEIGHT 47 POUNDS FOR STANDARD SHAFT MODELS (6 H.P.).
-			0	TILT LOCK POSITIVE TILT LOCK PERMITS ENGINE TO REMAIN IN TILTED POSITION WHEN NOT IN USE.

LUBRICATION CHART

REF. NO.	PART NO.	SYM.	QTY.	DESCRIPTION
-			0	STARTER PINION GEAR SAE 30 MOTOR OIL, IF STARTER OPERATION BECOMES SLUGGISH
-			0	STARTER SPOOL BEARINGS SAE 30 MOTOR OIL, IF STARTER OPERATION BECOMES SLUGGISH
-			0	THROTTLE CAM FOLLOWER SAE 30 MOTOR OIL, TWICE EACH SEASON, OFTENER IF REQUIRED
-			0	MAGNETO CONTROL SHAFT BEARINGS SAE 30 MOTOR OIL, TWICE EACH SEASON, OFTENER IF REQUIRED
-			0	STEERING HANDLE PINION GEAR EP-ALL PURPOSE CHASSIS LUBRICANT, TWICE EACH SEASON, OFTENER IF REQUIRED
-			0	STEERING HANDLE BEVEL GEAR EP-ALL PURPOSE CHASSIS LUBRICANT, TWICE EACH SEASON, OFTENER IF REQUIRED
-			0	REVERSE LOCK SAE 30 MOTOR OIL, TWICE EACH SEASON, OFTENER IF REQUIRED
-			0	CLAMP SCREWS SAE 30 MOTOR OIL, TWICE EACH SEASON, OFTENER IF REQUIRED
-			0	STERN BRACKET PIVOT BOLT SAE 30 MOTOR OIL, TWICE EACH SEASON, OFTENER IF REQUIRED
-			0	GEAR HOUSING CHRYSLER OUTBOARD GEAR LUBE, EVERY 30 HOURS, OFTENER IF REQUIRED
-			0	FUEL LINE COUPLER RELEASE RING SAE 30 MOTOR OIL, TWICE EACH SEASON, OFTENER IF REQUIRED
-			0	GREASE FITTINGS GREASE FITTINGS ARE PROVIDED AT CRITICAL POINTS WHERE BEARING SURFACE ARE NOT EXPOSED EXTERNALLY. USING AN AUTOMOTIVE TYPE GREASE GUN AND LUBRICANT, GREASE TWICE EACH SEASON OR OFTENER IF REQUIRED.

SPECIAL ADJUSTMENTS

REF. NO.	PART NO.	SYM.	QTY.	DESCRIPTION
-			0	SPARK PLUG CHAMPION L-86, GAP. 030".
-			0	SPARK PLUG CHAMPION QL-86 FOR MODELS 62 BJ, 67 BA
-			0	ADJUSTING STEERING TENSION STEERING TENSION CAN BE ADJUSTED BY TURNING THE ONE (1) STEERING FRICTION ADJUSTING SCREW, IN THE DIRECTION REQUIRED.
-			0	POINT OF THROTTLE OPENING SEE BLOCK COMMENT 1.
-			0	FLYWHEEL NUT

PARTS INDEX

Part Number	Description	Pg.	Ref. No.	Part Number	Description	Pg.	Ref. No.
525156	COVER SUPPORT PLATE			F1447	RD HD DRIVE SCREW, #2 X 3/16	23	49
	REAR	3	10				
525388	DISC, WATER PUMP			F1449	HEX SET SCREW, 10 - 24 X 1/4	9	8
	LOCATING	25	11				
817747--1	JOINT, BALL ASSEMBLY	9	39	F1467	SCREW SWIVEL BRACKET	21	34
817761A2	SCREW CLAMP W/45, 46, 47	23	44	F1475	FILL HD SCREW, 10 - 24 X 1/2	3	3
817938A1	RETAINER STARTER ROPE						
	HANDLE	11	21	F1490	NUT, 1/4 - 20	13	24
89396A38	PRIME BULB	29	6	F1513	NUT, 10 - 32	9	38
AC16395-8	IDENTIFICATION PLATE - CANADA W/SCREWS	23	-	F1518	NUT, 5/16 - 18	3	15
				F1573	FILL HD SCREW, 1/4 - 20 X 1/2	3	38
C341227-1	SPARK PLUG (QL-86)						
	CANADA ONLY	17	-	F1666	WAVE WASHER	23	52
F10058	FUEL BOWL	13	17	F1678	FILL HD SCREW, 10 - 24 X 13/16	7	10
F10061	CHOKE SHAFT ASSEMBLY	13	29				
F10062	CHOKE VALVE ASSEMBLY	13	26	F1678	SLOTTED FILL HD SCREW, 10 - 24 X 13/16 (67HA, BA ONLY)	7	18
F10063	FLOAT	13	20				
F10064	SHAFT - FLOAT	13	19	F1699	HEX HD SCREW, 1/4 - 20 X 1 1/8	9	28
F10066	GASKET VALVE SEAT	13	22				
F10068	GASKET BODY TO BOWL	13	18	F1705	HEX CAP SCREW, 1/4 - 20 X 3/4	25	25
F10069	GASKET KIT	15	-				
F10070	SCREW ASSEMBLY - CHOKE VALVE	13	25	F1734	SLOTTED FILL HD SCREW, 1/4 - 20 X 1/2	5	56
F10071	SCREW, THROTTLE VALVE	15	44				
F10072	SPRING CHOKE STOP	13	30	F1755	RD HD SCREW & SPRING LOCKWASHER ASSEMBLY, 6 - 32 X 5/16	13	2
F10073	SPRING IDLE NEEDLE	13	28				
F10077	NEEDLE - IDLE	13	27	F1760	PAN HD SCREW, 10 - 24 X 3/8	11	4
F10081	SHAFT ASSEMBLY - THROTTLE	13	32				
F10082	NOZZLE	13	23	F1772	HEX HD SCREW, 8 - 32 X 1/2	13	7
F10085	SPRING THROTTLE RETURN	13	31	F178446	CLAMP LEAD WIRE	5	55
F10087	REPAIR KIT	15	-	F1794	SPRING PIN, 3/32 X 3/8	21	24
F10090	GASKET FUEL BOWL			F1805	SPRING PIN, 1/4 X 1 3/8	21	15
	RETAINER	13	16	F1806	GROOVE PIN, 5/16 - 3 3/4	21	29
F10091	VALVE THROTTLE	15	43	F1809	FLYWHEEL NUT	7	6
F10092	KIT - VALVE, SEAT, SPRING & GASKET	13	21	F18160-2	REED FUEL PUMP	13	40
F10096	JET ASSEMBLY (.039) STANDARD	13	15	F1825	HEX HD CAP SCREW, 1/4 - 20 X 6 (LONG LEG)	25	-
F1015	COTTER PIN	15	49	F1833	HEX CAP SCREW, 1/4 - 20 X 1	23	56
F1044	SCREW, 1/4 - 20 X 1 3/8	17	32	F1846	COTTER PIN	25	36
F1052	FILL HD SCREW, 1/4 - 20 X 1 1/16	13	36	F1877	TY-RAP	7	20
F1069	FILL HD SCREW, 10 - 24 X 1 1/16	13	36	F18906	GASKET CARBURETOR	13	13
F1107	SCREW, 1/4 - 20 X 3/4	17	33	F18906	GASKET, CARB.	19	-
F1110	SCREW, 1/4 - 20 X 5/8	17	10	F1891	HEX HD SCREW, 1/4 - 20 X 1 1/2	25	8
F1111	FILL HD SCREW, 1/4 - 20 X 7/8	17	38				
F1156	FLAT HD SCREW, 1/4 - 20 X 1/2	11	1	F19109	PLUG	25	23
F1175	HEX HD CAP SCREW, 1/4 - 20 X 1 7/8 (STD. LEG)	25	2	F1950	HEX HD SCREW, 10 - 24 X 5/8	3	13
F1200	HEX HD SCREW, 1/4 - 20 X 1/2	5	58	F1953	HEX HD SCREW, 1/4 - 20 X 1	13	14
				F1953	SCREW, 1/4 - 20 X 1	17	29
F1257	SCREW, 5/16 - 18 X 1 1/4	17	30	F1972	HEX HD SCREW, 1/4 - 20 X 2 1/2	21	7
F1286	2	13	42				
F1341	NUT, 1/4 - 20	21	14	F1975	LOCKWASHER, #10	5	44
F141118	SEAL, CRANKSHAFT LOWER	17	23	F197767-1	BUSHING FUEL LINE	3	21
				F197787-3	FUEL LINE COUPLER	29	3
				F1978	SPRING PIN, 1/8 X 1/2	5	40
				F197813	BEARING	21	22
				F197813	BEARING STARTER BRACKET LOWER	11	20

PARTS INDEX

Part Number	Description	Pg.	Ref. No.	Part Number	Description	Pg.	Ref. No.
F1990	HEX HD SCREW, 1/4 - 20 X 1 5/8	25	24	F2A525158	PLATE REED W/SEAL	13	5
F1994	SCREW, 5/16 - 18 X 1	17	31	F307818	BEARING (NYLINER)	5	50
F2008	HEX HD SCREW, 1/4 - 20 X 7/8	25	10	F307818	BEARING, STEERING HANDLE SHAFT	9	22
F2010	FILL HD SCREW, 10 - 32 X 9/16	7	12	F31160-1	REED	13	4
F2026	RIVET, SUPPORT PLATE COVER	5	59	F317717	WASHER, BEVEL GEAR THRUST	27	45
F2031	HEX HD SCREW, 1/4 - 20 X 3/4	11	7	F318307	SEAL	25	7
F2041	HEX HD SCREW, 10 - 24 X 3/8	3	26	F318307	SEAL, DRIVESHAFT	5	57
F2042	WASHER	15	47	F318342	SEAL, WATERLINE INLET UPPER	21	1
F2106	LOCKWASHER	7	3	F318347-1	UPPER MOUNT	9	29
F213274	FITTING GREASE	21	32	F318372	CLUTCH PIN GUIDE	27	43
F213342	SEAL, FUEL LINE COUPLER	29	1	F318539	BUMPER	9	30
F213735	SEAL, FUEL LINE COUPLER	29	2	F318818	BEARING, SHIFT LEVER SHAFT	3	37
F24074	FOOT CLAMP SCREW	23	46	F338618-1	SEAL, GEAR SHIFT ROD LOWER	25	6
F24748-2	GASKET FUEL PUMP	13	37	F341014	BEARING, CRANKSHAFT LOWER MAIN	17	24
F250017	PISTON PIN	17	14	F341510	LINK REVERSE LOCK LEVER	21	28
F250410	PISTON PIN RETAINING RING	17	13	F346146	SEAL, CRANKSHAFT UPPER	17	37
F269689	BEARING STARTER BRACKET UPPER	11	9	F36634	CONNECTING ROD SCREW	17	22
F2706772	CLAMP HOSE	15	46	F390563	PIN, WATER PUMP IMPELLER DRIVE	25	14
F2788004	STUD CARBURETOR	13	12	F390689	BEARING, STEERING ARM PIVOT SCREW	9	23
F286011	WASHER SWIVEL BRACKET	21	20	F392777	CAM COVER LATCH	3	16
F286037	BOLT STERN BRACKET	21	38	F40425	PIN STARTER PINION	11	18
F286114	HANDLE LOCK BAR	21	10	F404908	WIRE, STATOR GROUND	7	13
F286132	HANDLE STARTER ROPE	11	22	F409232	ROPE STARTER	11	23
F286169	BEARING SWIVEL BRACKET	21	16	F409251-1	GAUGE CAP	29	10
F286277	GASKET, C'SHAFT BRG. CAGE	19	-	F409521	CLUTCH SHIFT	27	44
F286277	GASKET, CRANKSHAFT BEARING CAGE	17	35	F409719	CLUTCH SPRING	27	42
F286286-1	WASHER	23	54	F409740	BALL CHECK	5	53
F286300	SPRING REVERSE LOCK	21	31	F424075	HANDLE CLAMP SCREW	23	43
F286349	LOCK REVERSE	21	33	F429541	LOCK TILT	21	36
F286364	LEVER REVERSE LOCK	21	26	F429811	SCREEN, CYLINDER DRAIN	17	8
F286422-1	PIVOT TILT LOCK	21	17	F430732	MOTOR LEG EXTENSION TO GEAR HOUSING SCREWS	27	46
F286433	BRACKET SHALLOW WATER DRIVE	21	30	F436449	SHORTING SWITCH	7	4
F286451	SPACER TILT LOCK	21	18	F448874	SPLICE (67HA, BA ONLY)	7	15
F286461	SPRING LOCK BAR HANDLE	21	9	F458498	MAGNETO KEY	17	41
F286544-1	SPRING TILT LOCK	21	35	F458519	SCREW, IDLE STOP	9	13
F286571	ROLLER ASSEMBLY, CENTER MAIN BEARING	17	19	F458695	SLEEVE, STEERING HANDLE GRIP	9	1
F286585-1	DECAL, TILT RELEASE - U.S.A.	23	55	F458977-3	LEVER SHIFT INTERLOCK	5	48
F286647	HANDLE CARRYING	21	40	F459721-1	CLUTCH SHIFT CAM	25	18
F286827	LEVER REVERSE LOCK RELEASE	21	25	F468342	SEAL, CRANKSHAFT SPLINE	17	39
F286894-3	INDICATOR STEERING HANDLE - U.S.A.	9	4	F474342	SEAL, WATER PUMP GEAR SHIFT ROD	25	15
F298788	FERRULE	29	4	F487755	FUEL TANK ADAPTER	29	8
F2A521016	CONNECTING ROD	17	16	F50109	PLUG, GEAR HOUSING	25	20
F2A525010	CYLINDER	17	6	F521006	STUD, GEAR HOUSING FRONT	25	5
F2A525018	CRANKSHAFT W/UPPER BEARING	17	25	F521023	BEVEL GEAR	27	47
				F521266	GEAR, BEVEL PINION	27	41
				F521296	RETAINER, PROP SHAFT BEARING CAGE	25	35

PARTS INDEX

Part Number	Description	Pg.	Ref. No.	Part Number	Description	Pg.	Ref. No.
F521305	SEAL, PROP SHAFT			F525457	SCREW	25	26
	BEARING CAGE	25	34	F525469	HANDLE LATCH	3	18
F521307	PROPSHAFT SEAL	25	28	F525472	GASKET, CYL. DRAIN		
F521547	CHOKE KNOB	3	24		COVER	19	-
F521843	CABLE LIGHTING COIL EXT.			F525472	GASKET, CYLINDER DRAIN		
	(67HA, BA ONLY)	7	16		COVER	17	7
F525015	PISTON	17	15	F525475	C-D MODULE - COIL	7	1
F525019	KINGPIN	21	12	F525504	GROMMET, CHOKE ROD	5	49
F525025	PAD SHIFT DETENT	5	52	F525518	CYLINDER HEAD	17	4
F525029	STATOR - TRIGGER	7	11	F525524	RIVET, STEERING HANDLE	9	31
F525061	CARBURETOR	13	33	F525528	DECAL REAR TRIM	3	2
F525064	SCREW - C-D COIL	7	19	F525529	GASKET, CYL. HEAD	19	-
F525065	IMPELLER	25	16	F525529	GASKET, CYLINDER HEAD	17	5
F525079	HANDLE-STEERING	9	6	F525531	ROD SHIFT INTERLOCK	5	41
F525080	SCREW, STEERING HANDLE			F525552	SCREW, STEERING HANDLE		
	PIVOT	9	9		BEARING	9	7
F525081	LEVER THROTTLE	13	10	F525555	SEAL, SHIFT ROD CAVITY	25	19
F525082	RING STATOR	17	34	F525562	PLATE, WATER PUMP BACK	25	17
F525095	STATOR ALTERNATOR			F525579	CRANKCASE SEAL	17	21
	(67HA, BA ONLY)	7	14	F525582-1	STEERING ARM	9	19
F525097	FLYWHEEL	7	8	F525605	GEAR, TOWERSHAFT	9	24
F525098	PROPELLER SHAFT	25	31	F525614	HANDLE GEAR SHIFT	3	28
F525105	SHAFT INTERLOCK	11	10	F525615	ROD GEAR SHIFT UPPER	3	12
F525128	DRIVESHAFT (STD. LEG)	27	40	F525627	GEAR, TOWERSHAFT		
F525133	MOTOR LEG	21	5		PINION	9	25
F525151	PLATE EXHAUST	17	27	F525629	COTTER PIN	11	11
F525152	COVER EXHAUST	17	28	F525665	BEARING, GEAR PINION		
F525154	GASKET EXHAUST	17	26		TOWERSHAFT	9	21
F525154	GASKET, EXHAUST	19	-	F525674	GEAR STARTER PINION	11	2
F525159	GASKET, REED PLATE	13	1	F525675	BRACKET STARTER LOWER	11	19
F525159	GASKET, REED PLATE	19	-	F525688	SHAFT, STEERING HANDLE	9	10
F525161	REED STOP	13	3	F525689	TOWERSHAFT BEARING	9	27
F525168	GASKET MANIFOLD	13	6	F525691	GEAR, STEERING ARM	9	17
F525168	GASKET, MANIFOLD	19	-	F525705	ROD, GEAR SHIFT (STD.		
F525193	LINK THROTTLE	13	11		LEG)	25	1
F525198	THROTTLE STOP	9	11	F525707	COVER, SHOCK MOUNT		
F525220	WASHER, STEERING				LOWER	21	6
	HANDLE	9	32	F525737	RETAINER STARTER		
F525244	WATERLINE (STD. LEG)	21	2		REWIND SPRING	11	15
F525263	LINK STATOR INTERLOCK	3	32	F525751	SCREW	9	40
F525279	GASKET, CYL. MOUNTING	19	-	F525763	SHAFT COVER LATCH	3	20
F525279	GASKET, CYLINDER			F525779	BAFFLE IDLE RELIEF	21	4
	MOUNTING	17	40	F525781	INTERLOCK STARTER	11	6
F525286	WASHER	23	53	F525815	GEAR, STEERING HANDLE	9	15
F525301	STATOR - C-D	7	9	F525816	BEARING, STEERING		
F525305	SEAL, PROP SHAFT	25	32		HANDLE GEAR	9	14
F525316-1	FOLLOWER THROTTLE CAM	13	8	F525838	TOWERSHAFT	9	26
F525346	MOUNT LOWER SHOCK	21	37	F525839	SCREW, STEERING		
F525386-1	DECAL, NUMERAL "6"	3	5		FRICITION	21	21
F525390	DECAL STOP (U.S.A.)	3	22	F525840	GROMMET REMOTE		
F525394	DECAL CHOKE (U.S.A.)	3	23		THROTTLE CABLE	3	17
F525396	DECAL STRIPE STARBOARD	3	7	F525845	EXTENSION MOTOR LEG		
F525397	DECAL STRIPE PORT	3	-		(STD. LEG)	25	4
F525424	SPRING STARTER PINION	11	3	F525871	SHAFT GEAR SHIFT LEVER	3	33
F525427	BRACKET STARTER UPPER	11	8	F525876	LEVER GEAR SHIFT	3	36
F525445	LINK, MAGNETO STATOR			F525877	SHAFT, MAGNETO		
	CONTROL	9	37		CONTROL	9	20
F525453	GASKET LEG MOUNTING	21	3	F525912	SPRING LATCH SHAFT	3	14
F525453	GASKET, LEG MOUNTING	19	-	F525925	LINK CHOKE KNOB	3	25
F525455	GUIDE STARTER ROPE	11	5	F525977	LEVER SHIFT INTERLOCK	3	39

PARTS INDEX

Part Number	Description	Pg.	Ref. No.	Part Number	Description	Pg.	Ref. No.
F525984	SEAL, REED PLATE	15	50	F901728	PIN CLUTCH SHIFT	25	30
F526128	DRIVESHAFT (LONG LEG)	27	-	F901739	DRIVE STARTER REWIND		
F526244	WATERLINE (LONG LEG)	21	-		SPRING	11	13
F526524	RIVET GEAR SHIFT HANDLE	3	29	F901746-2	COVER FUEL PUMP	13	35
F526705	ROD, GEAR SHIFT (LONG LEG)	25	-	F901811	FILTER FUEL PUMP	15	45
F526845	EXTENSION MOTOR LEG (LONG LEG)	25	-	F901938-1	SCREW, CYLINDER HEAD	17	1
F527392	DECAL "CHRYSLER"	3	6	F901970	SPRING STARTER REWIND	11	16
F53795-1	SEAL, STEERING HANDLE DAMPENERS	9	5	FA24757-3	PLATE FUEL PUMP REED W/REEDS & SCREWS	13	38
F5H027	FUEL TANK (ACCESSORY ITEM)	29	9	FA286113	BAR LOCK W/8, 9, 10	21	11
F5H104	LIGHTING COIL	35	-	FA286155	LINER, CENTER MAIN	17	20
F5H105	BATTERY CHARGING SYSTEM	35	-	FA324101	PROPELLER PIN	25	37
F5H113	REMOTE CONTROL KIT	35	-	FA387742	LEVER REVERSE LOCK INTERMEDIATE	21	23
F5H114	REMOTE STEERING BRACKET	35	-	FA458137	GRIP, STEERING HANDLE W/SLEEVE	9	2
F66480	STUD CLAMP SCREW	23	47	FA510914	SEAL, WATERLINE	25	9
F7005	NUT, 3/8 - 16	23	51	FA521023	BEVEL GEAR W/BEARING	25	29
F7011	ELASTIC STOP NUT, 10 - 24	3	9	FA521841	CABLE LIGHTING COIL (67HA, BA ONLY) W/SPLICES	7	17
F7027	NUT (LEFT HAND), 10 - 24	9	36	FA525038	SUPPORT PLATE W/EYELET (62H8J AND 62B8J)	3	11
F73741-1	RING	5	54	FA525054	GEAR HOUSING	25	22
F8003	PLAIN WASHER	13	41	FA525060	WATER PUMP BODY	25	12
F8025	PLAIN WASHER	17	2	FA525116	SNOUT	25	27
F8039	PLAIN WASHER	23	50	FA525167	MANIFOLD W/STUDS	13	9
F8043	WAVE WASHER	9	33	FA525228	ROLLER CRANKPIN	17	18
F8060	LOCKWASHER	9	41	FA525239	SPOOL STARTER W/SCREW	11	17
F8070	BOWED SPRING WASHER	11	24	FA525241	CRANKPIN ROLLER CAGE	17	17
F8077	WASHER	25	21	FA525298	PROP SHAFT CAGE	25	33
F8083	LOCKWASHER	21	13	FA525471	COVER, CYLINDER DRAIN W/SCREEN	17	9
F8083	SPRING LOCKWASHER	25	3	FA525480	RETAINER ENGINE COVER W/NUTS & SCREWS	3	4
F84026	SCREW SHOULDER	5	43	FA525774	BRACKET COVER LATCH W/SCREWS & NUTS	5	45
F84026	SHOULDER SCREW	9	35	FA525892	INSERT PLATE FRONT (U.S.A.)	5	46
F84035-2	BEARING INTERLOCK ROD	5	42	FA525893	INSERT PLATE FRONT (CANADA)	5	-
F84036	BEARING, SPARK CONTROL	9	34	FA526038	SUPPORT PLATE W/EYELET (67H8A AND 67B8A)	3	-
F84253	HOSE	13	34	FA77395-5	IDENTIFICATION PLATE - U.S.A. W/SCREWS	23	48
F84253	HOSE	15	48	FA84754-1	FUEL LINE SHORT W/FERRULES	29	5
F84991-1	GROMMET (67HA-BA ONLY) LIGHTING COIL WIRE	3	-	FC409398	DECAL (NOT SHOWN)	29	-
F85026	SCREW	5	51	FC525010	CYLINDER COMPLETE (NOT SHOWN)	17	-
F8537	SPRING PIN	23	45	FC525054	GEAR HOUSING COMPLETE (NOT SHOWN)	27	-
F8538	SPRING PIN, 3/32 X 1/2	3	34	FC525390	DECAL STOP (CANADA)	3	-
F8538	SPRING PIN, 3/32 X 1/2	21	27	FC525394	DECAL CHOKE (CANADA)	3	-
F8540	SPRING PIN, 3/32 X 5/8	9	18	FG1018	GASKET SET (SEE BELOW)	19	-
F8540	SPRING PIN, 3/32 X 5/8	21	8	FK516984	BLANKET TOP & SIDES	5	47
F8547	SPRING PIN, 1/8 X 5/8	3	19	FK525713	ENGINE COVER PACKING	3	30
F8547	SPRING PIN, 1/8 X 5/8	3	35	FK750-2	SPARKIE KIT	7	2
F8547	SPRING PIN, 1/8 X 5/8	9	12	FP342	PROPELLER	27	39
F8548	SPRING PIN, 1/8 X 1	9	3				
F8554	SPRING PIN, 3/16 X 3/4	21	42				
F8559	DOWEL PIN	17	11				
F8567	SPRING PIN, 1/8 X 13/16	3	27				
F8567	SPRING PIN, 1/8 X 13/16	9	16				
F8571	SPRING PIN, 1/8 X 1 3/4	11	25				
F901456-1	COLLAR, EMERGENCY START	7	7				
F901710	POST STARTER SPRING GUIDE	11	14				

PARTS INDEX

Part Number	Description	Pg.	Ref. No.	Part Number	Description	Pg.	Ref. No.
FS525712	ENGINE COVER W/PACKING, REAR RETAINER AND LATCH BRACKET	3	1				
FS567532	BRACKET STERN PORT W/SCREW CLAMP	21	41				
FS567532	BRACKET STERN STARBOARD W/SCREW CLAMP	21	39				
FT2907	SEAL INSTALLER	33	-				
FT2909	KNOCK-OFF NUT	30	-				
FT2915	SEAL INSTALLER	33	-				
FT2985	STARTER REWIND KEY	31	-				
FT2989	FLYWHEEL WEDGE	30	-				
FT2997	RING COMPRESSOR	32	-				
FT3012	SEAL INSTALLER	32	-				
FT8926	PISTON RING EXPANDER	32	-				
FT8929	ADAPTER AND HEX BIT	32	-				
FT8948-1	BEARING CAGE PULLER	33	-				
FT8950	LEAKAGE TESTER	34	-				
T8974	BREAKER POINT TENSION GAUGE	34	-				
11-817752A1	PROPELLER NUT W/COTTER PIN	25	38				
27-818043A1	DIAPHRAGM, FUEL PUMP W/GASKETS	13	39				
32-817738A1	FUEL LINE, LONG W/CLAMP AND FERRULE	29	7				
33-82370M	SPARK PLUG (L-86)	17	3				
37-F286585-2	DECAL, TILT RELEASE - CANADA	23	-				
37-F286894-3	INDICATOR STEERING HANDLE - CANADA	9	-				
39-818038A1	PISTON RING	17	12				
1100-817753A1	CAGE, CRANKSHAFT BEARING W/UPPER CRANKSHAFT SEAL	17	36				
1400-817964A2	SWIVEL BRACKET W/16, 32	21	19				