



PARTS CATALOG

25 H.P.

SERIAL NUMBER

25 (1978)	252H8D
25 (1978)	253H8D
25 (1978)	256H8C
25 (1978)	257H8C

TABLE OF CONTENTS:

ACCESSORIES	54
ALTERNATOR	16
CARBURETOR	18
CRANKSHAFT AND PISTON GROUP	24
ELECTRIC STARTER	10
ELECTRICAL COMPONENTS	14
ENGINE COVER AND SUPPORT PLATE (ELECTRIC START)	6
ENGINE COVER AND SUPPORT PLATE (MANUAL START MODELS)	2
FUEL PUMP	26
FUEL TANK AND LINE	48
GEAR HOUSING	44
HAND STARTER	8
LUBRICATION CHART	57
MAGNETO	12
MOTOR LEG	38
PARTS INDEX	59
POWER HEAD	28
REED PLATE	22
SPECIAL ADJUSTMENTS	58
SPECIAL TOOLS - LOWER UNIT	52
SPECIAL TOOLS - POWER HEAD	51
SPECIAL TOOLS - TEST EQUIPMENT	53
SPECIAL TOOLS - TUNE-UP	50
SPECIFICATIONS	56
SWIVEL BRACKET GROUP	34

NOTE: Indented description indicate that these parts are included in preceeding assembly.

AR = As Required

NSS = Not Sold Separate

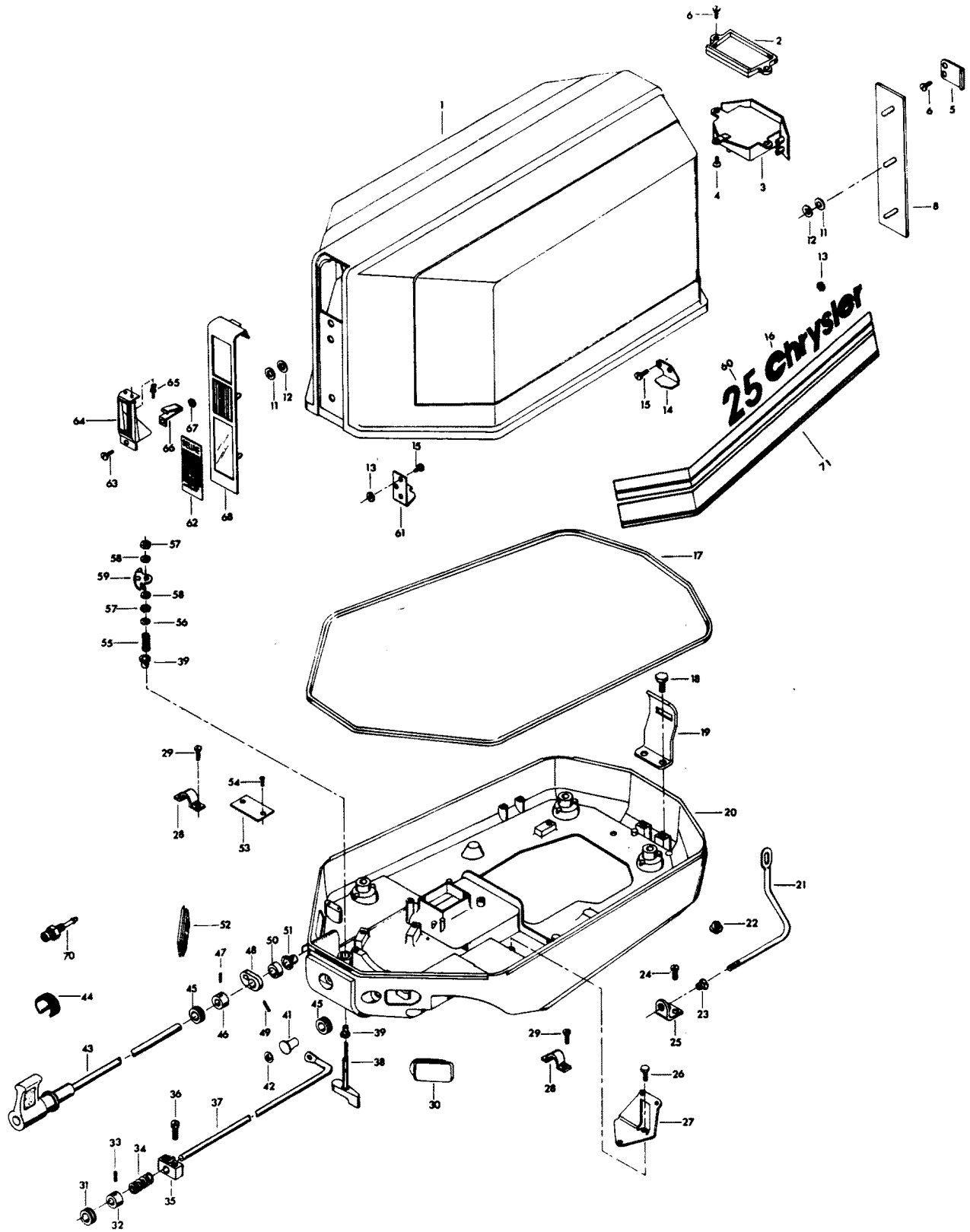
OPT = Optional

NS = Not Shown

THESE PARTS BOOKS/FICHE CARD ARE COPYRIGHTED AND MAY NOT BE DISTRIBUTED OR REPRODUCED IN ANY OTHER FORMAT BY ANYONE OTHER THAN MERCURY MARINE WITHOUT THE PRIOR WRITTEN CONSENT OF MERCURY MARINE.

THIS PAGE INTENTIONALLY LEFT BLANK

ENGINE COVER AND SUPPORT PLATE (MANUAL START MODELS)

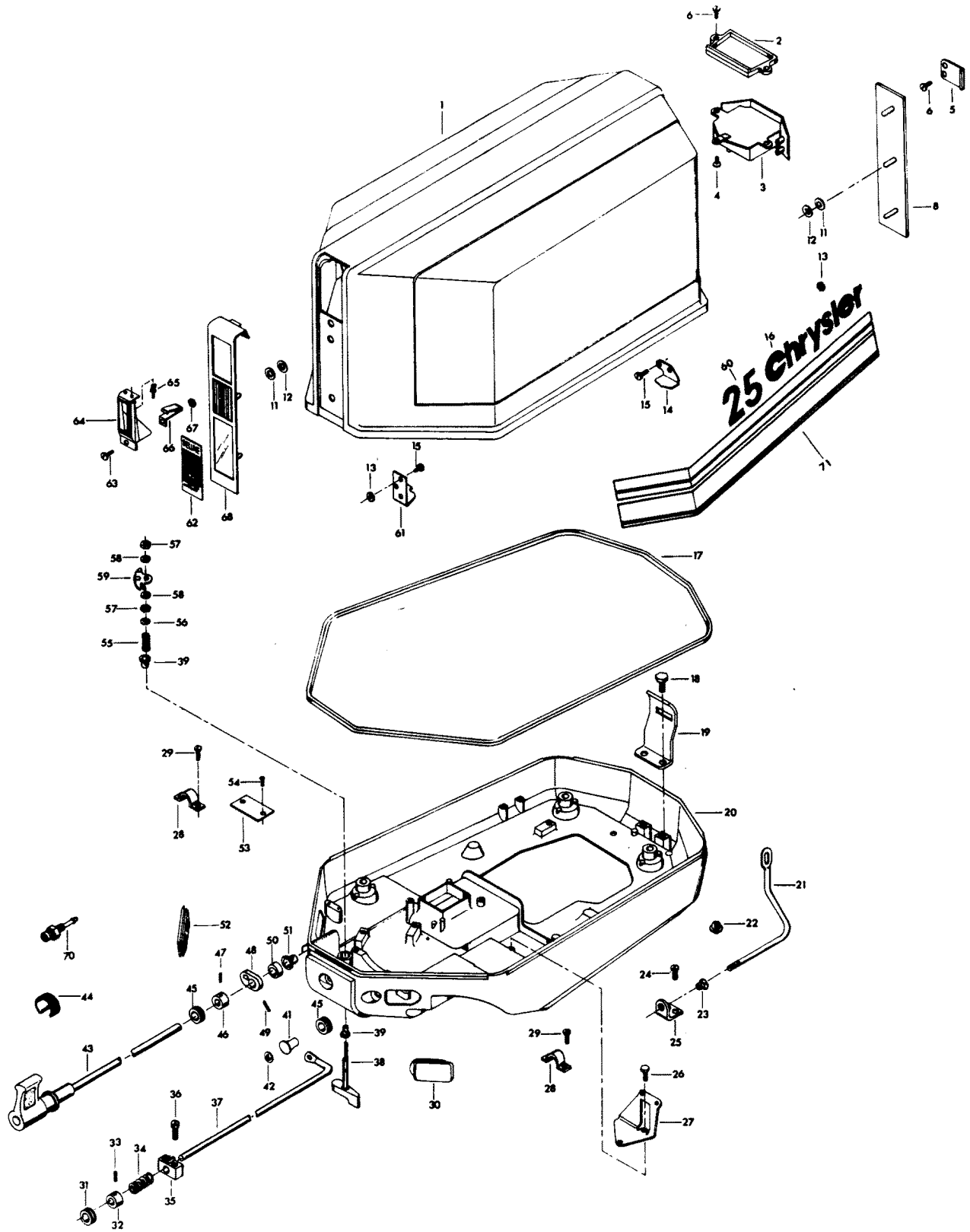


ENGINE COVER AND SUPPORT PLATE (MANUAL START MODELS)

REF. NO.	PART NO.	SYM.	QTY.	DESCRIPTION
1	FS529712		1	ENGINE COVER W/FRONT AND REAR RETAINERS
2	F458245		1	BAFFLE, TILT HANDLE
3	F505269		1	TILT HANDLE
4	F2025		1	PAN HD SCREW, 10 X 5/8
5	F463864		2	RETAINER, TILT HANDLE
6	F2066		6	PAN HD SCREW, 10 X 7/16
8	505180		1	TRIM, REAR
11	F85735-1		5	SEAL
12	F1753		5	FASTENER
13	F7011		4	HEX NUT
14	FA458480		1	RETAINER, ENGINE COVER REAR W/SCREWS AND NUTS
15	F1475		4	FILL HD SCREW, 10 - 24 X 1/2
16	505392		2	DECAL, "CHRYSLER"
17	F85756		1	PACKING, ENGINE COVER
18	F1502		2	HEX HD SCREW, 1/4 - 20 X 5/8
19	F461774		1	BRACKET, RETAINER REAR
20	F458038-2		1	SUPPORT PLATE
21	F458503		1	CHOKE ROD
22	F1632		1	PLASTI-PLUG
23	F183818		1	BEARING, CHOKE ROD
24	F1760		2	PAN HD SCREW, 10 - 24 X 3/8
25	F324993		1	BRACKET, CHOKE ROD BEARING
26	F1236		2	HEX CAP SCREW, 1/4 - 20 X 1/2
27	F458371		1	BRACKET, REMOTE THROTTLE CABLE
28	F154317		2	CLAMP, REMOTE CABLE
29	F2107		4	SLOTTED FILL HD SCREW W/SPRING LOCKWASHER, 10 - 24 X 5/8
30	F324840-1		1	GROMMET, REMOTE THROTTLE CABLE
31	F183504		1	GROMMET, MAGNETO CONTROL SHAFT
32	FA343178		1	RETAINER, MAGNETO CONTROL SHAFT W/SET SCREW
33	F1859		1	HEX SOCKET HEADLESS SET SCREW, 1/4 - 28 X 3/16
34	F183300		1	SPRING, MAGNETO CONTROL SHAFT
35	F324689		1	BEARING, MAGNETO CONTROL SHAFT
36	F1087		2	FILL HD SCREW, 10 - 24 X 7/8
37	FA458838		1	MAGNETO CONTROL SHAFT
38	FA413469		1	COVER LATCH HANDLE W/SHAFT
39	F307818		2	BEARING, LATCH SHAFT
41	F286547		1	CHOKE KNOB
42	F458677		1	INSERT, CHOKE KNOB
43	F2A504614		1	KNOB, GEAR SHIFT W/SHAFT AND INDICATOR
44	F461400		1	INDICATOR, GEAR SHIFT
45	F24623-1		2	GROMMET, GEAR SHIFT, CHOKE ROD
46	FA343178		1	RETAINER, GEAR SHIFT SHAFT W/SET SCREW

CONTINUED ON NEXT PAGE ➡

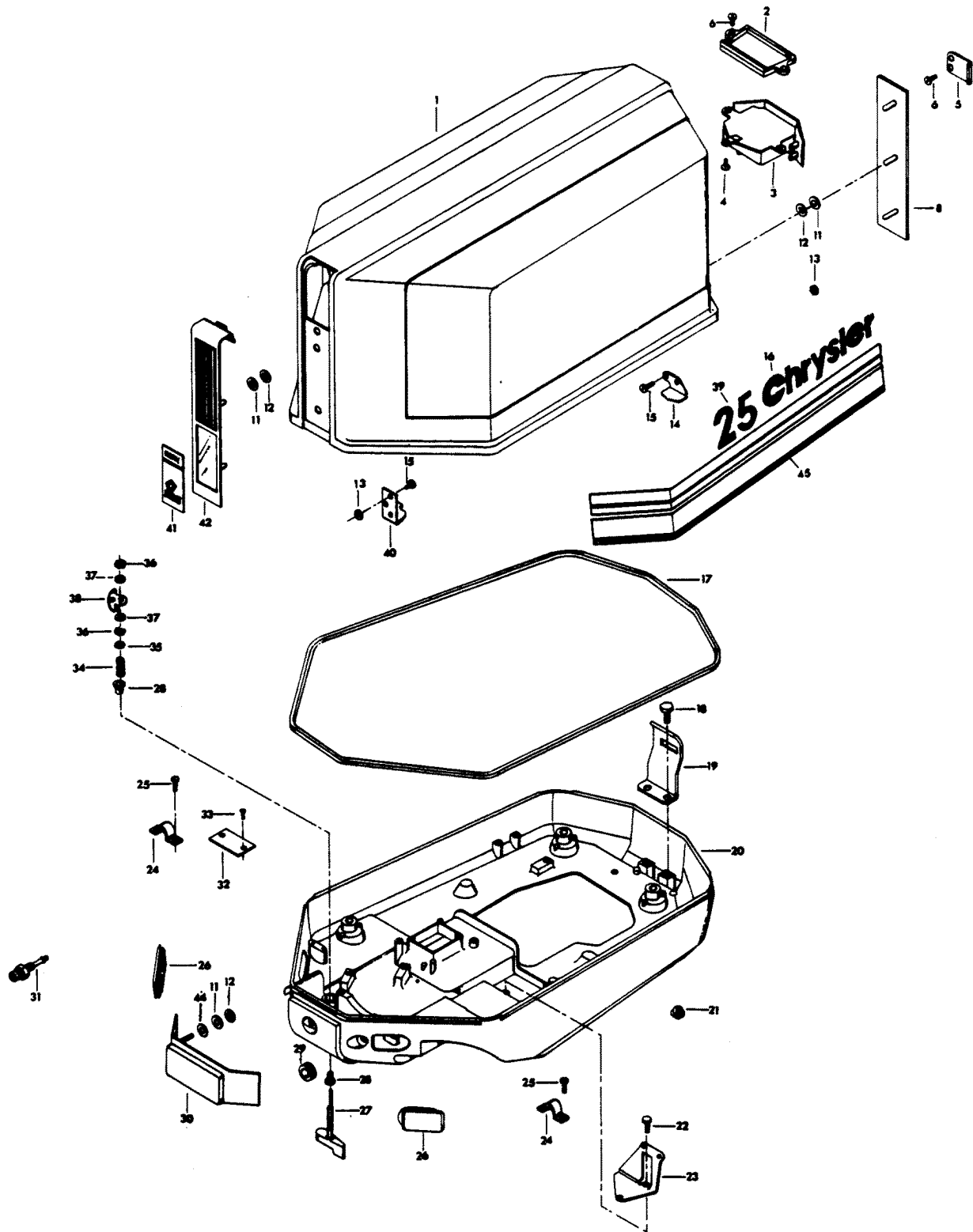
ENGINE COVER AND SUPPORT PLATE (MANUAL START MODELS)



ENGINE COVER AND SUPPORT PLATE (MANUAL START MODELS)

REF. NO.	PART NO.	SYM.	QTY.	DESCRIPTION
47	F1859		1	HEX SOCKET HEADLESS SET SCREW, 1/4 - 28 X 3/16
48	F504621		1	LEVER, GEAR SHIFT CONTROL
49	F1836		1	SPRING PIN
50	F504836		1	SPACER, GEAR SHIFT SHAFT
51	F307818		1	BEARING
52	F324840-1		1	GROMMET, REMOTE SHIFT CABLE
53	FA77395-5		1	PLATE, IDENTIFICATION W/SCREWS, U.S.A.
54	F1293		2	DRIVE SCREWS
55	F183300		1	SPRING, LATCH SHAFT
56	F185764		1	RETAINING RING
57	F1515		2	HEX JAM NUT, 5/16 - 18
58	F8096		2	SPRING LOCKWASHER
59	F89777-1		1	CAM, ENGINE COVER LATCH
60	505386-1		2	DECAL
61	FA458778		1	RETAINER, ENGINE COVER FRONT W/SCREWS AND NUTS
62	FA458892		1	INSERT, PLATE FRONT, U.S.A.
63	F1760		1	PAN HD SCREW, 10 - 24 X 3/8
64	F458888-1		1	TRIM, STARTER HANDLE GUIDE
65	F2026		2	PLASTIC RIVET
66	F458880		1	CLIP, STARTER GUIDE
67	F1473		1	HEX NUT, 10 - 24
68	F505711		1	PLATE, FRONT
70	F434767		1	BUSHING, FUEL LINE
71	505397		1	DECAL, STRIPE PORT
-	505396		1	DECAL, STRIPE STARBOARD

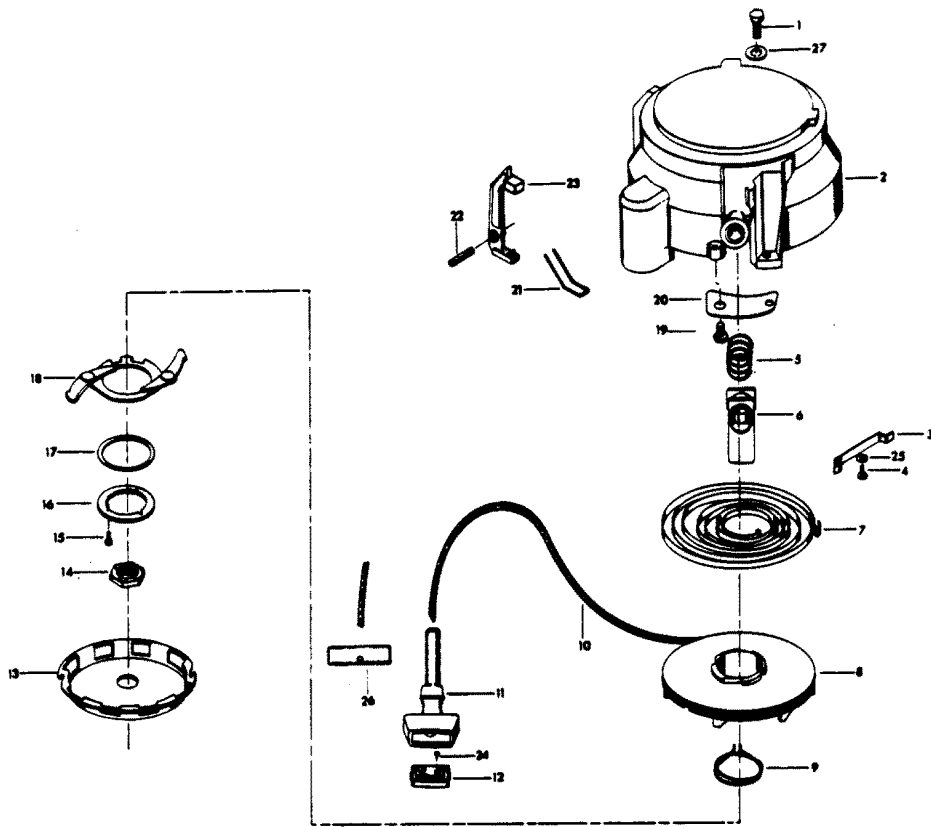
ENGINE COVER AND SUPPORT PLATE (ELECTRIC START)



ENGINE COVER AND SUPPORT PLATE (ELECTRIC START)

REF. NO.	PART NO.	SYM.	QTY.	DESCRIPTION
1	FS529712		1	ENGINE COVER W/FRONT AND REAR RETAINERS
2	F458245		1	BAFFLE, TILT HANDLE
3	F505269		1	TILT HANDLE
4	F2025		1	PAN HD SCREW, 10 X 5/8
5	F463864		2	RETAINER, TILT HANDLE
6	F2066		6	PAN HD SCREW, 10 X 7/16
8	505180		1	TRIM, REAR
11	F85735-1		7	SEAL
12	F1753		7	FASTENER
13	F7011		4	HEX NUT, 10 - 24
14	FA458480		1	RETAINER, ENGINE COVER REAR W/SCREWS AND NUTS
15	F1475		4	FILL HD SCREW, 10 - 24 X 1/2
16	505392		2	DECAL, "CHRYSLER"
17	F85756		1	PACKING, ENGINE COVER
18	F1502		2	HEX HD MACHINE SCREW, 1/4 - 20 X 5/8
19	F461774		1	BRACKET, RETAINER REAR
20	F458038-2		1	SUPPORT PLATE
21	F1632		1	PLASTI-PLUG
22	F1236		2	HEX CAP SCREW, 1/4 - 20 X 1/2
23	F458371		1	BRACKET, REMOTE THROTTLE CABLE
24	F154317		2	CLAMP, REMOTE CABLE
25	F2107		4	SLOTTED FILL HD SCREW W/SPRING LOCKWASHER, 10 - 24 X 5/8
26	F462840		2	GROMMET
27	FA413469		1	COVER LATCH HANDLE W/SHAFT
28	F307818		2	BEARING LATCH SHAFT
29	F53504		1	GROMMET, SUPPORT PLATE
30	F460163-1		1	COVER, SUPPORT PLATE
31	F434767		1	BUSHING, FUEL LINE
32	FA77395-5		1	PLATE, IDENTIFICATION W/SCREWS, U.S.A.
33	F1293		2	DRIVE SCREWS
34	F183300		1	SPRING, LATCH SHAFT
35	F185764		1	RETAINING RING
36	F1515		2	HEX JAM NUT, 5/16 - 18
37	F8096		2	SPRING LOCKWASHER
38	F89777-1		1	CAM, ENGINE COVER LATCH
39	505386-1		2	DECAL, NUMERAL
40	FA458778		1	RETAINER, ENGINE COVER FRONT W/SCREWS AND NUTS
41	A529892-1		1	INSERT, FRONT PLATE, U.S.A.
42	F529711		1	PLATE, FRONT
44	F8011		2	PLAIN WASHER
45	505397		1	DECAL, STRIPE - PORT
-	505396		1	DECAL, STRIPE - STARBOARD

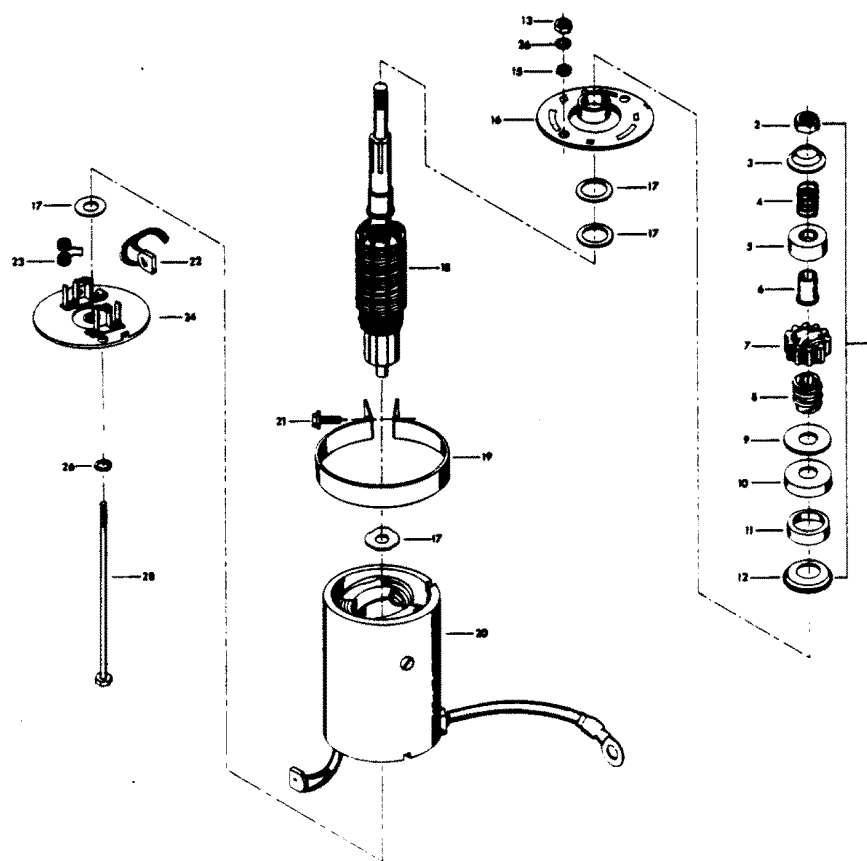
HAND STARTER



HAND STARTER

REF. NO.	PART NO.	SYM.	QTY.	DESCRIPTION
1	F1864		3	SLOTTED HEX HD SCREW, 1/4 - 20 X 3/4 (HAND START MODELS)
-	F1864		3	SLOTTED HEX HD SCREW, 1/4 - 20 X 3/4 (ELECTRIC START MODELS)
2	817955A1		1	HOUSING, HAND STARTER
3	F458937		1	LINER, STARTER HOUSING
4	F1927		1	PAN HD SCREW, 10 - 32 X 3/8
5	F458071		1	SPRING, STARTER HANDLE GUIDE FOR MANUAL START MODELS
6	F458953-1		1	GUIDE, STARTER HANDLE FOR MANUAL START MODELS
7	F458970		1	SPRING, STARTER REWIND
8	F458239		1	STARTER PULLEY
9	F458424		1	SPRING, STARTER PAWL PLATE
10	F458232		1	STARTER ROPE
11	F458132		1	HANDLE, STARTER ROPE FOR MANUAL START MODELS
12	817938A1		1	RETAINER, STARTER ROPE HANDLE FOR MANUAL START MODELS
13	F458456		1	HAND STARTER COLLAR
14	F2021		1	FLYWHEEL NUT
15	F2004		3	FILL HD SCREW, 8 - 32 X 3/8
16	F458592		1	RETAINER, STARTER PULLEY
17	F9022		0	SHIM .006 (SILVER)
-	F9023		0	SHIM .007 (BRASS)
-	F9024		0	SHIM .010 (BLACK)
18	FA458423		1	STARTER PAWL PLATE ASSEMBLY
19	F2040		1	HEX HD MACHINE SCREW, 1/4 - 20 X 5/8
20	F461952		1	STRAP, HAND STARTER HOUSING
21	F458846		1	SPRING, STARTER INTERLOCK LEVER
22	F1638		1	SPRING PIN
23	F458003		1	STARTER INTERLOCK LEVER
24	F1500		1	RD HD SHEET METAL SCREW, 4 X 1/4 FOR MANUAL START MODELS
25	F8011		1	PLAIN WASHER
26	F18132-1		1	HANDLE, STARTER ROPE (ELEC. START MODELS)
27	F2012		3	PLAIN WASHER (HAND START MODELS)
-	F2012		1	PLAIN WASHER (ELECTRIC START MODELS)

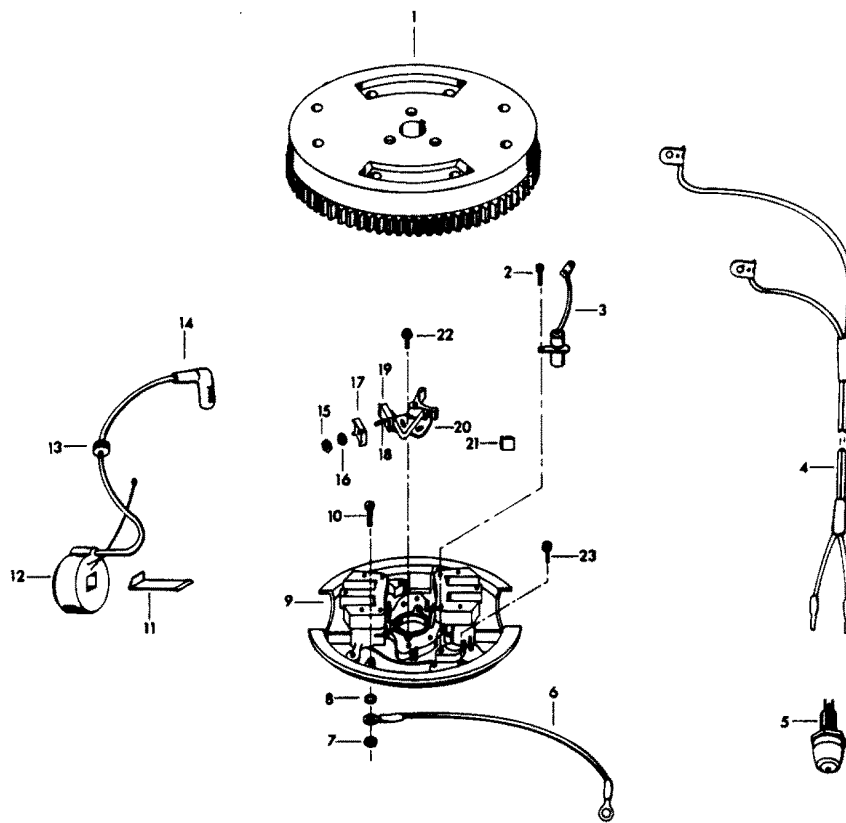
ELECTRIC STARTER



ELECTRIC STARTER

REF. NO.	PART NO.	SYM.	QTY.	DESCRIPTION
1	F15095		1	BENDIX DRIVE
2	F15087		1	HEX NUT
3	F15109		1	CUP, STOP
4	F15102		1	SPRING, ANTI-DRIFT
5	F15107		1	CUP, PINION
6	F15108		1	SLEEVE
7	F15103		1	PINION
8	F15084		1	SCREW SHAFT
9	F15091		1	WASHER
10	F15105		1	CUP, CUSHION
11	F15106		1	CUSHION
12	F15104		1	CUP, CUSHION THRUST
13	F1514		2	HEX JAM NUT, 1/4 - 20
15	F1341		2	HEX NUT, 1/4 - 20
16	F15021-1		1	HEAD ASSEMBLY DRIVE END
17	F15098		1	THRUST WASHER PACKAGE
18	F15010		1	ARMATURE
19	F460573		1	CLAMP, STARTER MOTOR
20	F15117		1	FRAME AND FIELD ASSEMBLY
21	F1705		1	HEX CAP SCREW, 1/4 - 20 X 3/4
22	F15015		1	BRUSH SET
23	F15002		1	SPRING SET
24	F15019-1		1	HEAD ASSEMBLY COMMUTATOR END
26	F8083		2	SPRING LOCKWASHER
28	F15097		1	THRU BOLT PACKAGE
-	FS460955		1	STARTER MOTOR COMPLETE

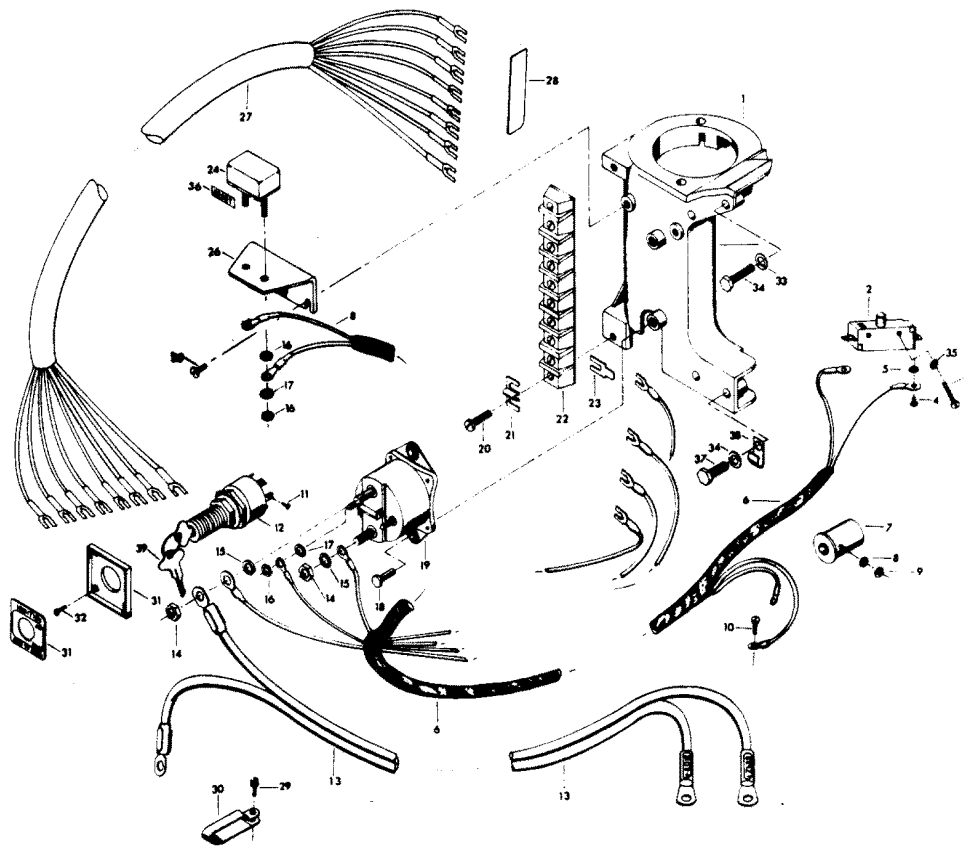
MAGNETO



MAGNETO

REF. NO.	PART NO.	SYM.	QTY.	DESCRIPTION
1	F460097-1		1	FLYWHEEL
2	F12083		2	CONDENSER MOUNTING SCREW
3	F12181-1		2	CONDENSER
4	F12186		1	GROUND LEAD
5	F436449		1	SHORTING SWITCH FOR MANUAL START MODELS
6	F460664		1	STATOR GROUND WIRE
7	F1513		1	HEX NUT
8	F8059		1	SPRING LOCKWASHER
9	F12346		1	STATOR PLATE W/LAMINATIONS (MANUAL START MODELS)
10	F1092		1	FILL HD SCREW, 10 - 32 X 5/8
11	F12146		2	COIL WEDGE SPRING
12	FA12345		2	COIL W/LEAD WIRE
13	F12088		2	GROMMET, LEAD WIRE
14	FK750-2		2	SPARKIE W/SPRING
15	F12127		2	STUD NUT
16	F8055		2	LOCKWASHER
17	F12128		2	INSULATOR, OUTSIDE
18	F12142		2	CONNECTION STUD
19	F12129		2	INSULATOR, INSIDE
20	F12153		2	BREAKER POINT SET
21	F12228		1	CAM WIPER FELT
22	F12170		4	CONTACT SCREW W/LOCKWASHER
23	F2010		3	FILL HD SCREW W/SPRING LOCKWASHER, 10 - 32 X 9/16

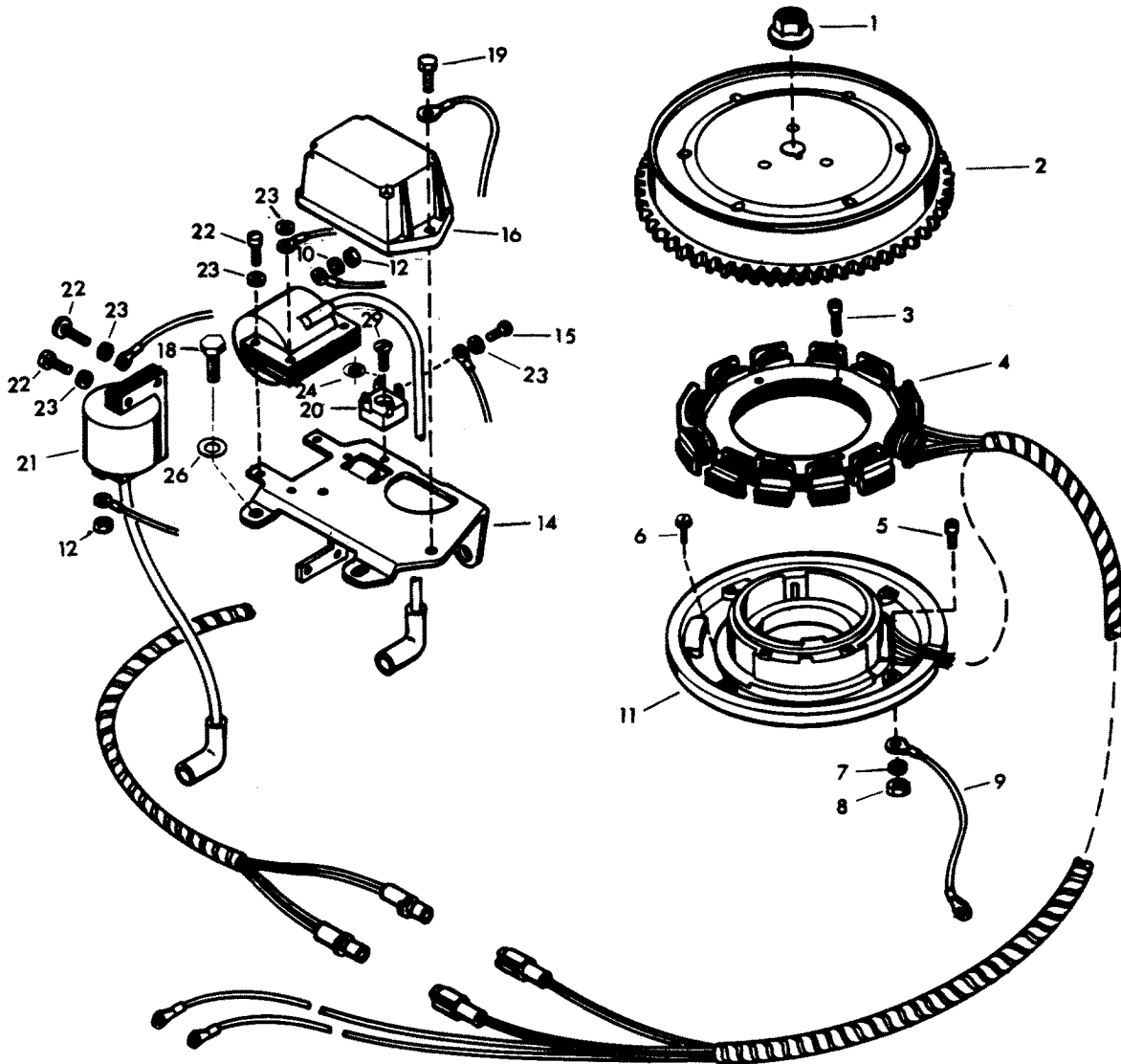
ELECTRICAL COMPONENTS



ELECTRICAL COMPONENTS

REF. NO.	PART NO.	SYM.	QTY.	DESCRIPTION
1	F460427		1	BRACKET, STARTER MOTOR
2	F84449		1	SWITCH, STARTER INTERLOCK
3	F2016		2	FILL HD MACHINE SCREW, 6 - 32 X 7/8
4	F1645		2	ROUND HD SCREW, 6 - 32 X 1/4
5	F1704		2	INTERNAL TOOTH LOCKWASHER
6	F529744		1	WIRING HARNESS
7	F85924		1	CHOKE SOLENOID
8	F8056		1	SPRING LOCKWASHER
9	F1647		1	HEX NUT
10	F1077		1	FILL HD SCREW, 10 - 24 X 1/4
11	F1280		5	PAN HD SCREW, 8 - 32 X 1/4
12	F5H078		1	IGNITION SWITCH (ACCESSORY ITEM)
13	F381896-4		1	CABLE BATTERY ENTRY
14	F1515		2	HEX NUT
15	F8096		2	SPRING LOCKWASHER
16	F1513		6	HEX NUT, 10 - 32
17	F1975		4	SPRING LOCKWASHER
18	F1854		2	HEX CAP SCREW, 1/4 - 20 X 5/8
19	F460917		1	STARTER RELAY
20	F1648		2	SLOTTED PAN HD SCREW, 10 - 24 X 3/4
21	F307317		1	CLIP, TERMINAL BLOCK GROUND
22	FA510497		1	TERMINAL BLOCK
23	F296898		1	TERMINAL
24	F510460		1	CIRCUIT BREAKER
25	F1979		2	SLOTTED PAN HD SCREW, 10 - 24 X 3/4
26	F91446-1		1	BRACKET, CIRCUIT BREAKER
27	F85843-1		1	CABLE, ELECTRIC CONTROL
28	F529398		1	DECAL, WIRING
29	F1734		1	FILL HD MACHINE SCREW W/SPRING LOCKWASHER, 1/4 - 20 X 1/2
30	F407446		1	CLAMP, BATTERY CABLE
31	F5H038		1	IGNITION SWITCH MOUNTING KIT (ACCESSORY ITEM)
32	F1934		4	FLAT HD SCREW, 6 X 1/2
33	F8083		4	SPRING LOCKWASHER
34	F1916		3	HEX HD SCREW, 1/4 - 20 X 1 1/8
35	F8088		2	PLAIN WASHER
36	F510374		1	DECAL, CIRCUIT BREAKER
37	F1100		1	SLOTTED FILL HD SCREW, 1/4 - 20 X 1 1/2
38	F286772-1		1	CLAMP, FUEL PUMP TO CARBURETOR HOSE

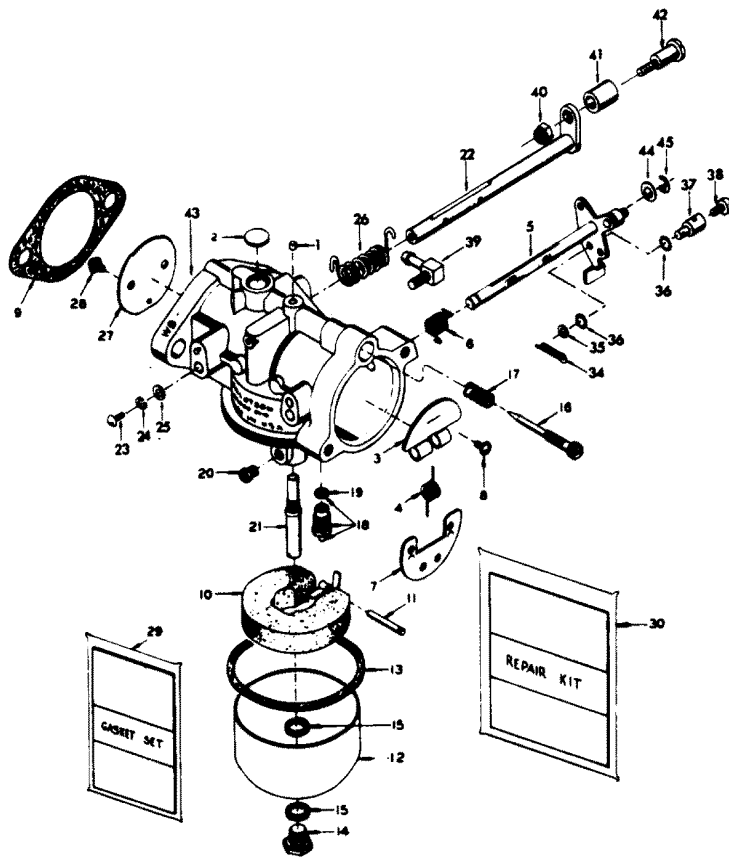
ALTERNATOR



ALTERNATOR

REF. NO.	PART NO.	SYM.	QTY.	DESCRIPTION
1	F2021		1	FLYWHEEL NUT, 5/8 - 18
2	F529097		1	FLYWHEEL
3	F1050		4	SLOTTED FILL HD SCREW, 10 - 24 X 1
4	F529095		1	STATOR, ALTERNATOR
5	F1092		1	FILL HD SCREW, 10 - 32 X 5/8
6	F2010		3	FILL HD SCREW W/SPRING LOCKWASHER, 10 - 32 X 9/16
7	F8059		1	SPRING LOCKWASHER
8	F1513		1	HEX NUT
9	F460664		1	WIRE, STATOR GROUND FOR ELECTRIC START MODELS
10	F1704		2	INTERNAL TOOTH LOCKWASHER
11	F529029		1	TRIGGER
12	F1337		2	NUT, 6 - 32
14	F529358		1	BRACKET, ELECTRICAL COMPONENTS
15	F1645		4	RD HD SCREW, 6 - 32 X 1/4
16	F529301		1	C-D MODULE
17	510373-1		1	DECAL, MAGNAPOWER (NOT SHOWN)
18	F2008		2	HEX HD SCREW, 1/4 - 20 X 7/8
19	F1746		2	HEX CAP SCREW, 1/4 - 28 X 5/8
20	F510450-1		1	RECTIFIER
21	F510475		2	IGNITION COIL
22	F1648		8	SLOTTED PAN HD SCREW, 10 - 24 X 3/4
23	F1975		8	LOCKWASHER
24	F8078		1	INTERNAL TOOTH LOCKWASHER
26	F2012		2	PLAIN WASHER
29	F1552		1	PAN HD SCREW, 8 - 32 X 1/2 STATOR PLATE COMPLETE, ORDER COMPONENT PARTS.

CARBURETOR

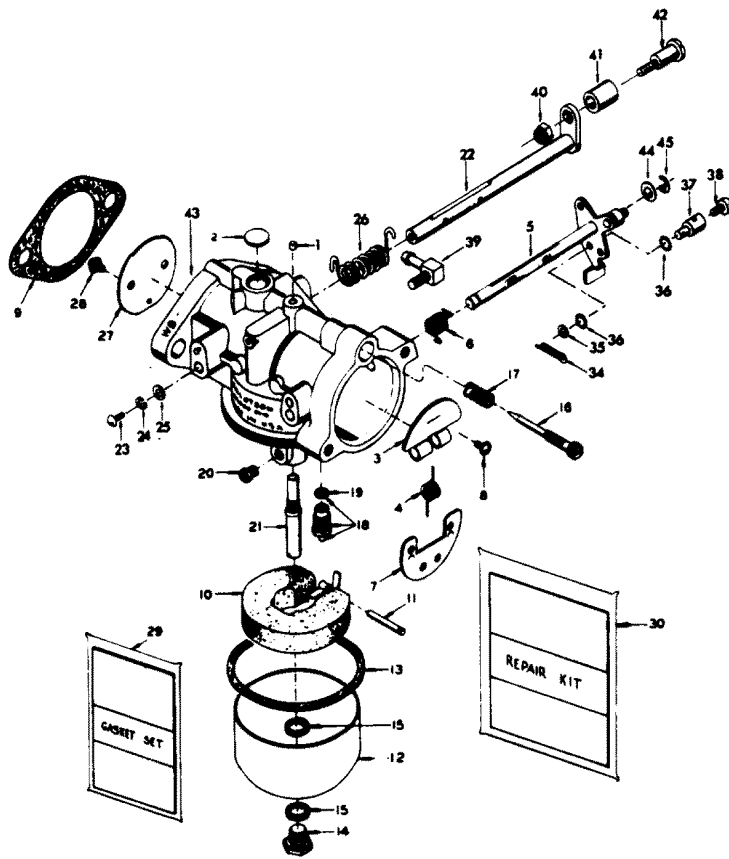


CARBURETOR

REF. NO.	PART NO.	SYM.	QTY.	DESCRIPTION
1	FO10588		1	BODY CHANNEL CUP PLUG
2	FO4326		1	BODY CHANNEL WELCH PLUG
3	FO12251		1	CHOKE RELIEF VALVE
4	FO10883		1	CHOKE RELIEF VALVE SPRING
5	FO16562		1	CHOKE SHAFT AND LEVER
6	FO16397		1	CHOKE SHAFT RETURN SPRING
7	FO12250		1	CHOKE SHUTTER
8	FO10280		2	CHOKE SHUTTER RETAINING SCREW AND LOCKWASHER
9	F40906-1		1	FLANGE GASKET
10	FO13554		1	FLOAT
11	FO13944		1	FLOAT LEVER PIN
12	FO13552		1	FUEL BOWL
13	FO15623		1	FUEL BOWL GASKET
14	FO13945		1	FUEL BOWL RETAINING SCREW
15	FO2510		2	FUEL BOWL RETAINING SCREW GASKET
16	FO14166		1	IDLE MIXTURE SCREW
17	FO11103		1	IDLE MIXTURE SCREW SPRING
18	FO10790		1	INLET NEEDLE, SEAT AND GASKET
19	FO10165		1	INLET SEAT GASKET
20	FO14188		1	MAIN FUEL JET (.066) (STANDARD)
21	FO15213		1	MAIN NOZZLE
22	FO16561		1	THROTTLE SHAFT AND LEVER
23	FO6393		1	THROTTLE SHAFT POSITION RETAINING SCREW
24	FO6396		1	THROTTLE SHAFT POSITION RETAINING SCREW LOCKWASHER
25	FO3804		1	THROTTLE SHAFT POSITION RETAINING SCREW WASHER
26	FO16563		1	THROTTLE SHAFT RETURN SPRING
27	FO17639		1	THROTTLE SHUTTER
28	FO8942		2	THROTTLE SHUTTER RETAINING SCREW AND LOCKWASHER
29	F10025		1	GASKET SET
30	F10027		1	REPAIR PARTS KIT INCLUDES ALL ITEMS MARKED WITH AN ASTERISK (*) .
39	F84314-2		1	ELBOW
40	F1997		1	LOCK NUT
41	F92759		1	ROLLER, THROTTLE CAM FOLLOWER
42	F333316		1	SHAFT, THROTTLE ROLLER
43	F461061-2		1	CARBURETOR COMPLETE (WB19C)
44	F8011		1	PLAIN WASHER
45	F90807		1	RETAINER, CHOKE ROD FOR MANUAL START MODELS
46	F391926-1		1	PLUNGER, CHOKE SOLENOID FOR ELECTRIC START MODELS
47	F460925		1	ROD, CHOKE SOLENOID FOR ELECTRIC START MODELS
48	F184579		2	SEAL, CHOKE ARM SWIVEL FOR ELECTRIC START MODELS

CONTINUED ON NEXT PAGE ➡

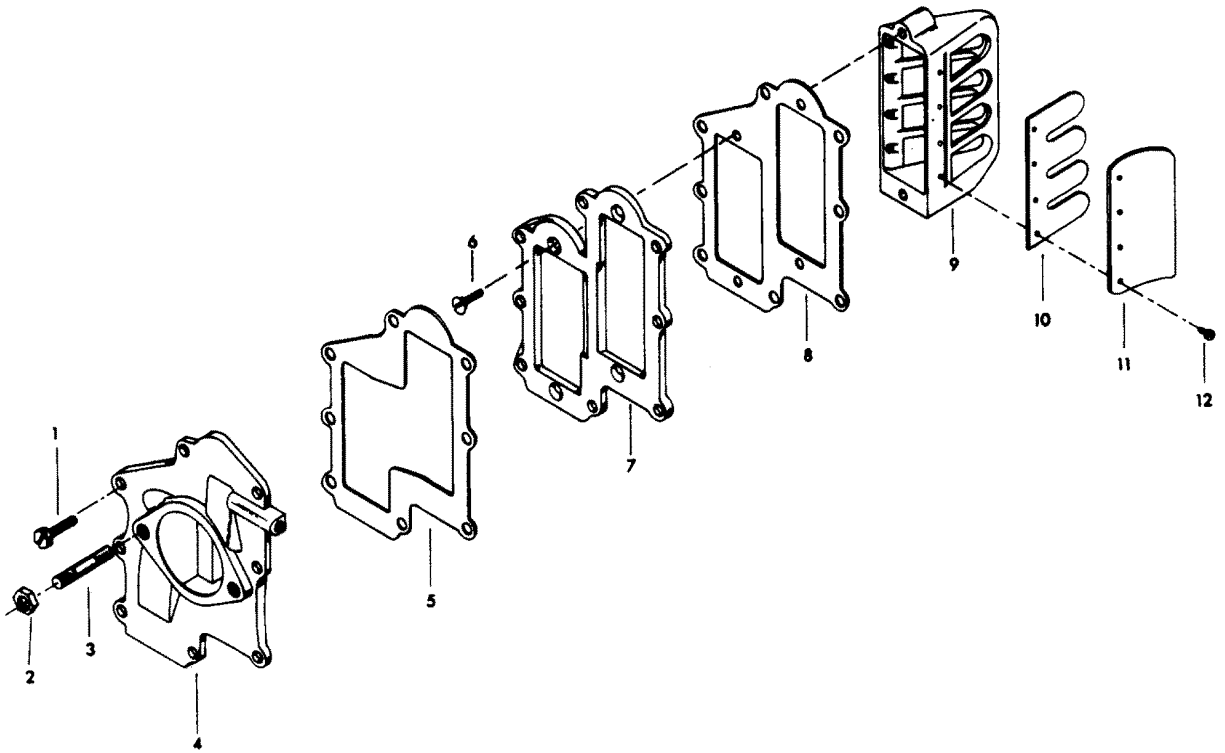
CARBURETOR



CARBURETOR

REF. NO.	PART NO.	SYM.	QTY.	DESCRIPTION
49	F184033-1		1	SWIVEL, CHOKE ARM FOR ELECTRIC START MODELS
50	F1059		1	FILL HD SCREW, 6 - 32 X 1/4 FOR ELECTRIC START MODELS
51	F8088		1	PLAIN WASHER FOR ELECTRIC START MODELS
52	F1014		1	COTTER PIN FOR ELECTRIC START MODELS
53	F2033		1	GROOVE PIN FOR ELECTRIC START MODELS

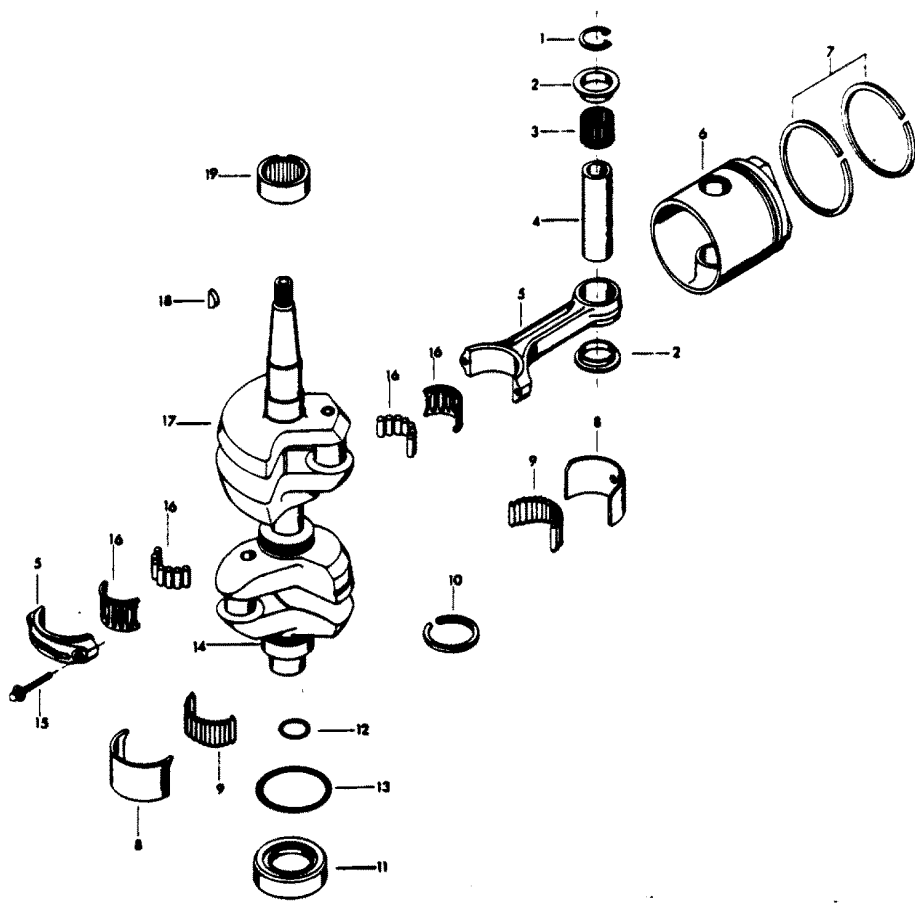
REED PLATE



REED PLATE

REF. NO.	PART NO.	SYM.	QTY.	DESCRIPTION
1	F2008		8	HEX HD SCREW, 1/4 - 20 X 7/8
2	F1516		2	HEX NUT, 5/16 - 18
3	F40209		2	CARBURETOR STUD
4	FA458167		1	CARBURETOR ADAPTER
5	F433168		1	GASKET, CARBURETOR ADAPTER W/STUDS
6	F1141		4	FLAT HD SCREW, 10 - 24 X 1/2
7	F433404		1	DEFLECTOR PLATE
8	F433406		1	GASKET, DEFLECTOR PLATE
9	FA458158		2	REED PLATE W/REEDS, STOPS AND SCREWS
10	F316160		4	REED
11	F88161-3		4	REED STOP
12	F1755		16	ROUND HD SCREW W/LOCKWASHER, 6 - 32 X 5/16

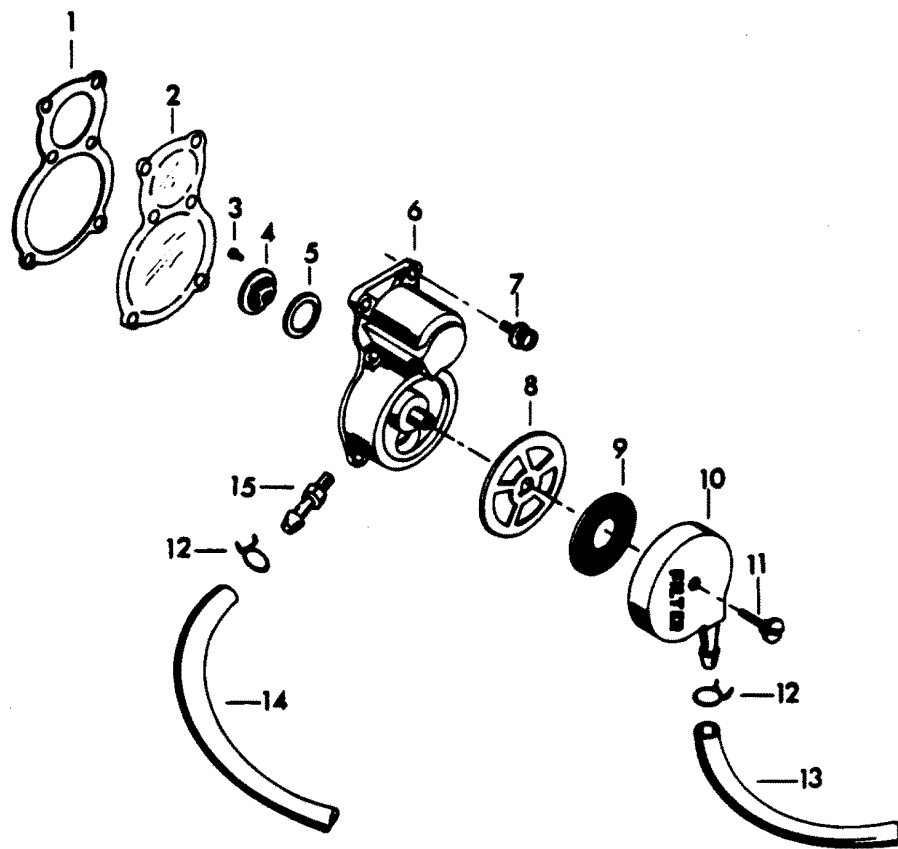
CRANKSHAFT AND PISTON GROUP



CRANKSHAFT AND PISTON GROUP

REF. NO.	PART NO.	SYM.	QTY.	DESCRIPTION
1	F90096		4	RETAINER, PISTON PIN
2	F366215		4	SPACER, PISTON PIN
3	F335217-1		2	BEARING, PISTON PIN
4	F458017		2	PISTON PIN
5	600-818052A4		2	CONNECTING ROD W/CAP AND SCREWS
6	F458015-1		2	PISTON
7	FA458260		1	PISTON RING SET (4 PER SET)
8	FA458655		1	LINER, CENTER MAIN
9	FA458571		1	ROLLER, CENTER MAIN
10	F458579		1	SEAL, CRANKCASE
11	F2A458581		1	COLLAR W/LOWER CRANKSHAFT SEAL
12	F461342		1	SEAL, DRIVESHAFT SPLINE
13	F455305		1	SEAL, CRANKSHAFT COLLAR
14	F286028-1		1	CRANKSHAFT LOWER MAIN BEARING
15	F85634-1		4	SCREW, CONNECTING ROD
16	FK85228		2	BEARING CAGE W/ROLLERS (16 PER SET)
17	400-818058A1		1	CRANKSHAFT W/LOWER MAIN BEARING (MANUAL START MODELS)
-	400-818063A1		1	CRANKSHAFT W/LOWER MAIN BEARING (ELECTRIC START MODELS)
18	F458498		1	FLYWHEEL KEY (MANUAL START MODELS)
-	F85498		1	FLYWHEEL KEY (ELECTRIC START MODELS)
19	F458028		1	BEARING, CRANKSHAFT UPPER MAIN
-	FSA458260		1	PISTON RINGS (4 PER SET) .010 OVERSIZE (NOT SHOWN)
-	39-818119A1		1	PISTON RINGS (4 PER SET) .030 OVERSIZE (NOT SHOWN)
-	FSA458015		2	PISTON .010 OVERSIZE (NOT SHOWN)
-	700-818118A1		2	PISTON .030 OVERSIZE (NOT SHOWN)

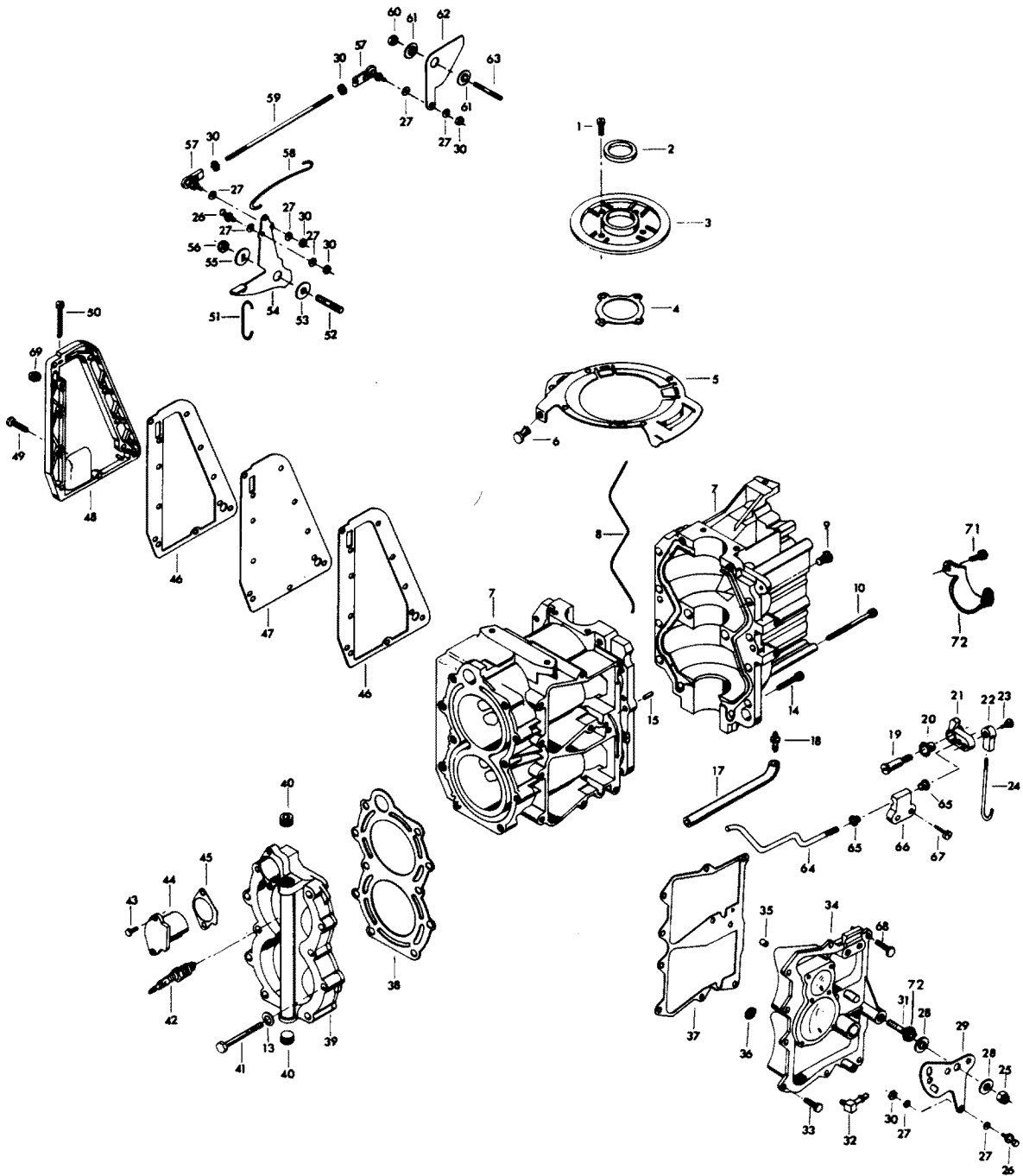
FUEL PUMP



FUEL PUMP

REF. NO.	PART NO.	SYM.	QTY.	DESCRIPTION
1	F438760		1	FUEL PUMP GASKET
2	F438747		1	FUEL PUMP DIAPHRAGM
3	F1860		2	BINDING HD MACHINE SCREW, 6 - 32 X 1/4
4	F177330		3	FUEL PUMP VALVE
5	F84792		3	FUEL PUMP VALVE GASKET
6	FA438431		1	FUEL PUMP BODY W/VALVES
7	F1108		6	FILL HD MACHINE SCREW W/LOCKWASHER, 1/4 - 20 X 3/4
8	F438617		1	GASKET, FUEL PUMP BOWL
9	F438653		1	SCREEN, FUEL PUMP
10	F438500		1	FUEL PUMP BOWL
11	F438165		1	SCREW, FUEL PUMP BOWL
12	F97772		4	FUEL LINE CLAMP
13	FA85754-1		1	HOSE, FUEL PUMP TO BUSHING
14	F458754		1	HOSE, FUEL PUMP TO CARBURETOR
15	F438801		1	FITTING, FUEL PUMP BODY
16	F286772-1		1	CLAMP (FUEL PUMP TO CARBURETOR)

POWER HEAD

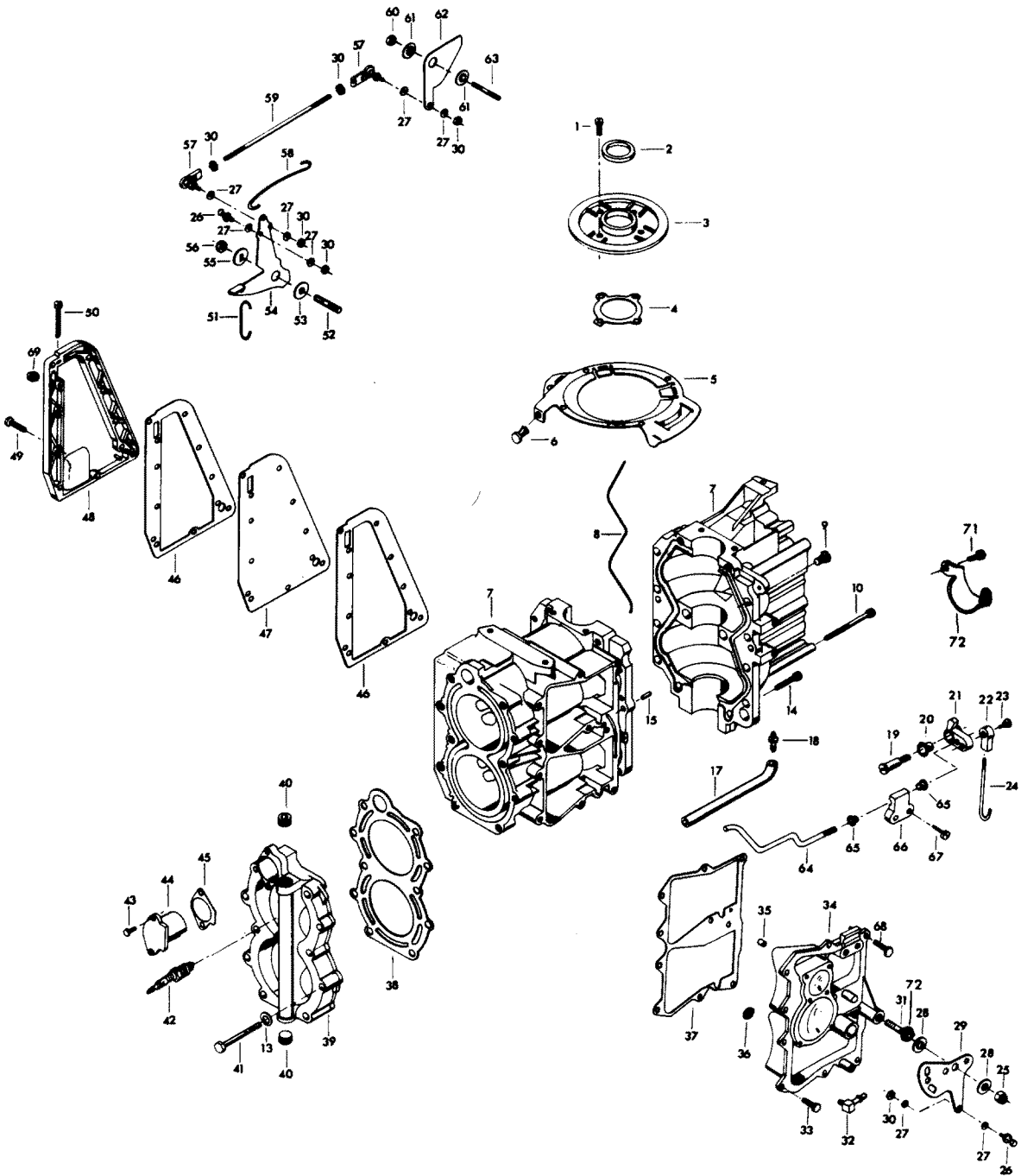


POWER HEAD

REF. NO.	PART NO.	SYM.	QTY.	DESCRIPTION
1	F1107		4	FILL HD SCREW, 1/4 - 20 X 3/4
2	F458146		1	SEAL, CRANKSHAFT UPPER MAIN
3	FA458144		1	CRANKSHAFT BEARING CAGE
4	F458277		1	GASKET, CRANKSHAFT BEARING CAGE
5	FA504082		1	MAGNETO STATOR RING
6	F1727		1	PLASTI-RIVET
7	A458010-1		1	CYLINDER W/CRANKCASE COVER, SCREWS AND DOWEL PINS
8	F269122-1		1	SEAL, CRANKCASE PARTING LINE
9	F1864		8	HEX SLOTTED HD SCREW, 1/4 - 20 X 3/4
10	F2005		2	HEX SOCKET HD CAP SCREW, 5/16 - 18 X 2 3/4
13	F1987		10	PLAIN WASHER, FOR HAND START MODELS
-	F1987		7	PLAIN WASHER, FOR ELECTRIC START MODELS
14	F2013		4	HEX SOCKET HD CAP SCREW, 5/16 - 18 X 1 1/4
15	F8559		2	DOWEL PIN
17	FA458254		1	HOSE, DRAIN
18	F366801		1	FITTING
19	F85026		1	SWIVEL, SHIFT INTERLOCK LEVER
20	F307818		1	BEARING
21	F458977-3		1	LEVER, SHIFT INTERLOCK
22	F84035-2		1	BEARING, SHIFT INTERLOCK ROD
23	F84026		1	SWIVEL, SHIFT INTERLOCK BEARING
24	F458531		1	ROD, SHIFT INTERLOCK
25	F7004		1	LOCK NUT, 3/8 - 16
26	F98273		2	ROD END CONNECTOR STUD
27	F8058		8	INTERNAL TOOTH LOCKWASHER
28	F269052		2	BEARING, SHIFT LEVER
29	817808A2		1	LEVER, GEAR SHIFT
30	F1513		6	HEX NUT, 10 - 32
31	F440209		1	STUD, GEAR SHIFT LEVER
32	486314-1		1	ELBOW, DRAIN HOSE
33	F1922		1	HEX HD SCREW, 1/4 - 20 X 5/8
34	FA504222		1	TRANSFER PORT COVER W/ITEM 35
35	21-817741A1		2	CHECK VALVE
36	F429811		2	SCREEN, CYLINDER DRAIN
37	F458223		1	GASKET, TRANSFER PORT COVER
38	F458529		1	GASKET, CYLINDER HEAD
39	FA458518		1	CYLINDER HEAD W/PLUGS
40	F458109		2	PLUG, CYLINDER HEAD
41	F458936		10	SCREW, CYLINDER HEAD
42	FS174227		2	SPARK PLUG (L-4-J)
43	F1854		2	HEX CAP SCREW, 1/4 - 20 X 5/8
44	F458066		1	THERMOSTAT COVER

CONTINUED ON NEXT PAGE ➡

POWER HEAD

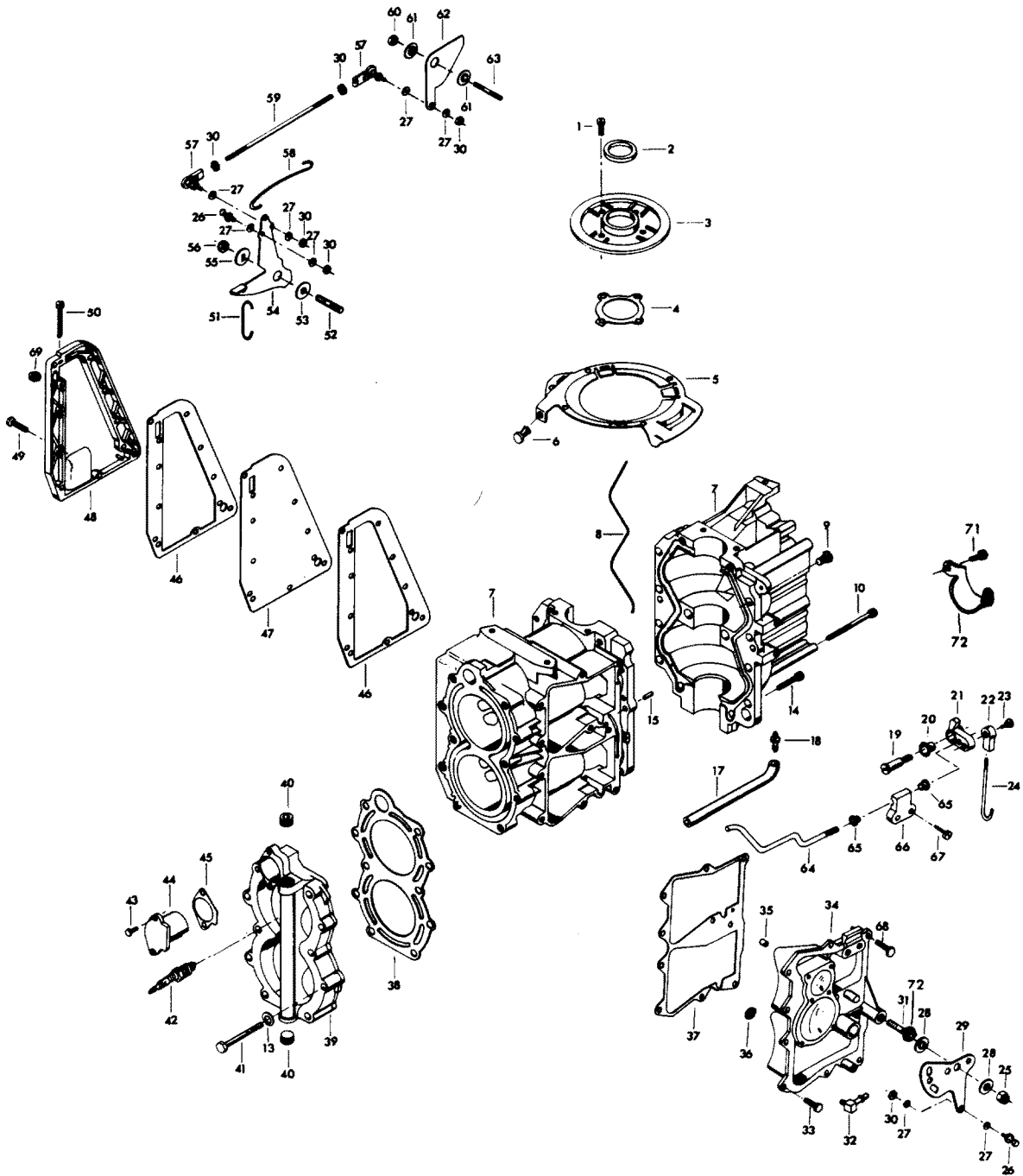


POWER HEAD

REF. NO.	PART NO.	SYM.	QTY.	DESCRIPTION
45	F458067		1	GASKET, THERMOSTAT COVER
46	F458154		2	GASKET, EXHAUST PORT PLATE
47	F458151		1	EXHAUST PORT PLATE
48	F458152		1	EXHAUST PORT COVER
49	F1833		10	HEX HD SCREW, 1/4 - 20 X 1
50	F1072		1	FILL HD SCREW, 1/4 - 20 X 1 3/4
51	F458445		1	LINK, MAGNETO CONTROL SHAFT
52	F286440		1	STUD, MAGNETO CONTROL LEVER
53	F183813		1	BEARING
54	F2A458081		1	MAGNETO CONTROL LEVER W/CONNECTOR STUD
55	F286282		1	WASHER
56	F1803		1	STOP NUT
57	817747--1		2	JOINT BALL ASSEMBLY
58	F458509		1	LINK, MAGNETO STATOR
59	F458502		1	ROD, THROTTLE CAM
60	F1910		1	LOCK NUT
61	F269319		2	BEARING, THROTTLE CAM
62	F458192		1	THROTTLE CAM
63	F433209		1	STUD, THROTTLE CAM
64	F504809		1	ROD, STARTER INTERLOCK
65	F504052		2	BEARING
66	F504527		1	CAP, INTERLOCK
67	F1075		2	FILL HD M. SCREW, 10 - 24 X 1/2
68	F1502		9	HEX CAP SCREW, 1/4 - 20 X 5/8
69	F1341		1	HEX NUT
70	F460317		1	CLAMP, CHOKE SOLENOID
71	F1689		2	HEX CAP SCREW, 1/4 - 20 X 1/2
72	F2014		1	PLAIN WASHER
-	FG1010		1	GASKET SET (SEE BELOW)
-	C461010-1		1	SHORT BLOCK FOR HAND START MODELS (NOT SHOWN)
-	FC505010		1	SHORT BLOCK FOR ALTERNATOR MODELS (NOT SHOWN) (SHORT BLOCK INCLUDES ALL ITEMS MARKED WITH AN ASTERISK (*). ALSO REFER TO CRANKSHAFT PAGE.
-	F40906-1		1	CARBURETOR
-	F433168		1	CARBURETOR ADAPTER
-	F433406		1	DEFLECTOR PLATE
-	F438617		1	FUEL PUMP BOWL
-	F438760		1	FUEL PUMP
-	F458067		1	THERMOSTAT COVER
-	F458154		2	EXHAUST PORT PLATE
-	F458223		1	TRANSFER PORT COVER
-	F458277		1	CRANKSHAFT BEARING CAGE
-	F458279		1	CYLINDER EXHAUST
-	F458453		1	LEG EXHAUST

CONTINUED ON NEXT PAGE ➡

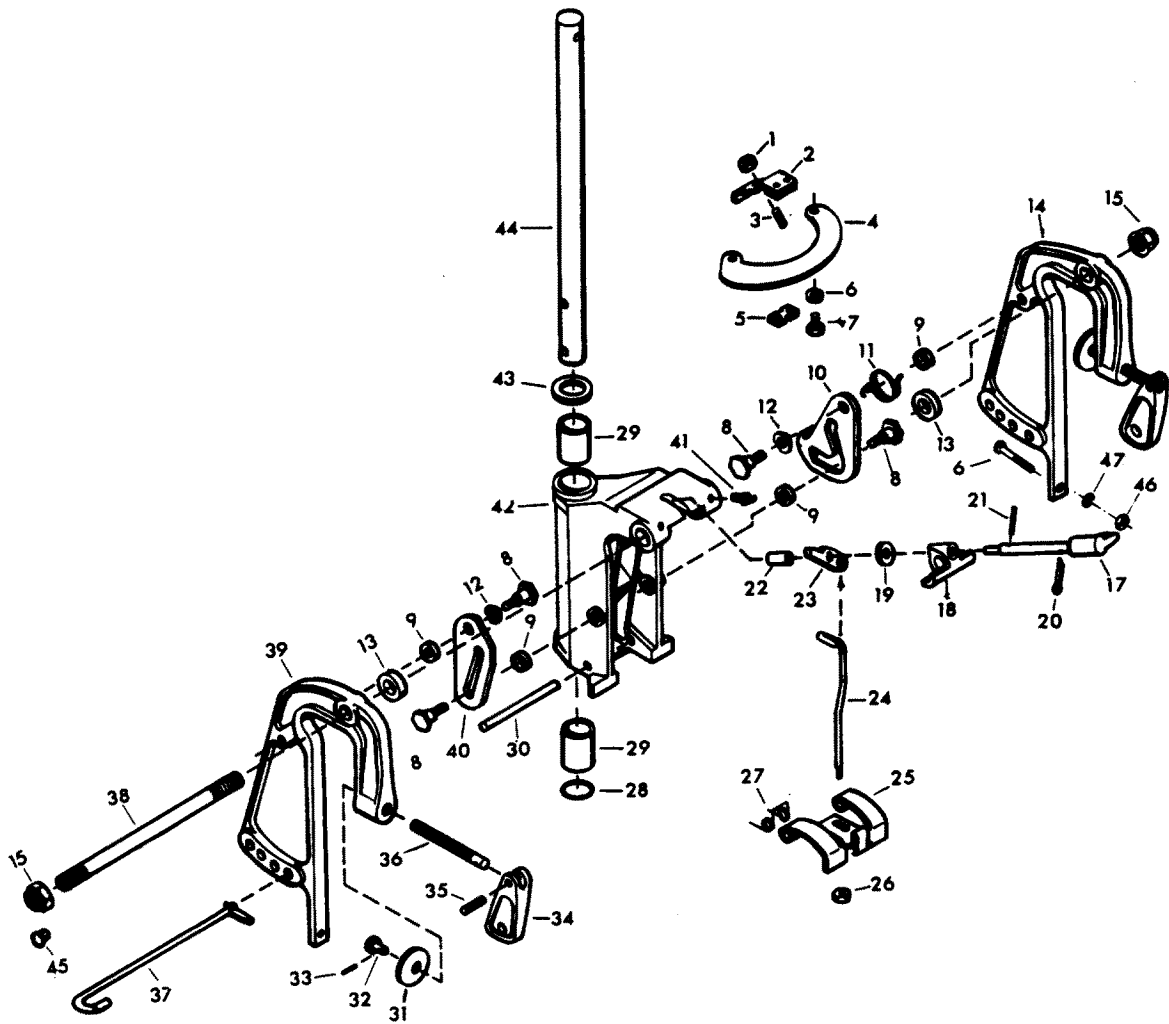
POWER HEAD



POWER HEAD

REF. NO.	PART NO.	SYM.	QTY.	DESCRIPTION
-	F458529		1	CYLINDER HEAD

SWIVEL BRACKET GROUP

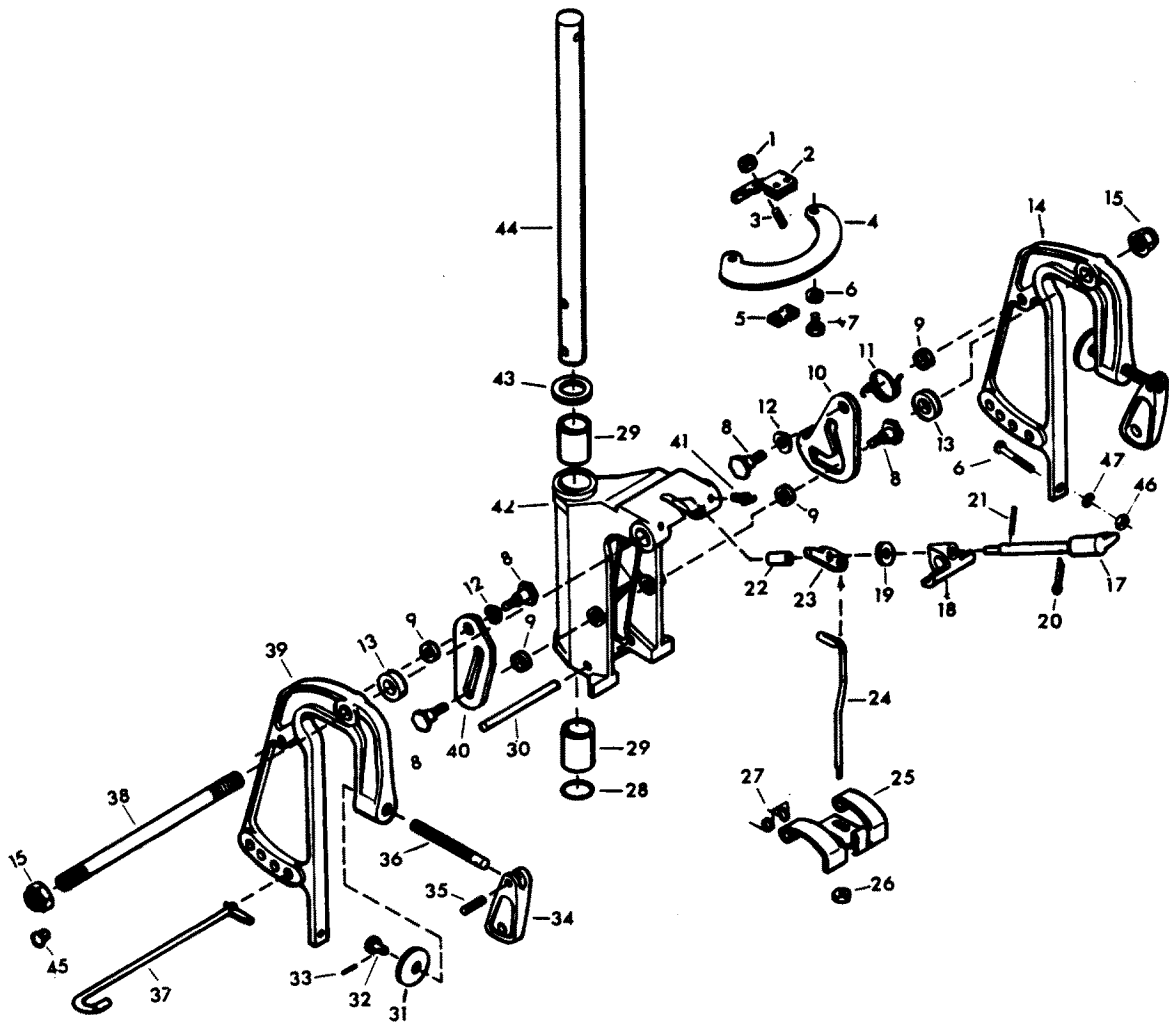


SWIVEL BRACKET GROUP

REF. NO.	PART NO.	SYM.	QTY.	DESCRIPTION
1	F7024		1	STOP NUT
2	817882A1		1	FRICION SHOE ADJUSTING ARM
3	F901822-1		1	STUD, SWIVEL BRACKET
4	F901775		1	PLATE, FRICTION SHOE
5	F901631-1		1	FRICTION SHOE
6	F8083		2	SPRING LOCKWASHER
7	F1689		2	HEX CAP SCREW, 1/4 - 20 X 1/2
8	F286422-1		4	PIVOT, TILT LOCK
9	F286451		4	SPACER, TILT LOCK
10	F436541		1	TILT LOCK (PORT)
11	F286544-1		1	SPRING, TILT LOCK
12	F1666		2	BOWED SPRING LOCKWASHER
13	F529286		2	WASHER, SWIVEL BRACKET FRICTION
14	FS529532		1	STERN BRACKET PORT W/CLAMP SCREW AND FOOT
15	F1600		2	LOCK NUT, 7/8 - 14
17	F483827		1	LEVER, REVERSE LOCK
18	F529726		1	BEARING
19	F8094		1	PLAIN WASHER
20	F1014		1	COTTER PIN
21	F1836		1	SPRING PIN
22	F483884		1	BEARING
23	F366364		1	ARM, REVERSE LOCK
24	F483510-1		1	LINK, REVERSE LOCK
25	F483349-1		1	REVERSE LOCK
26	F1669		1	NUT
27	F483300		1	SPRING
28	F183990		1	SPACER, KINGPIN
29	F901169-1		2	BEARING, SWIVEL BRACKET
30	F2095		1	SPRING PIN
31	F24074		2	CLAMP SCREW FOOT
32	F66480		2	STUD
33	F8537		2	SPRING PIN
34	F288075		2	HANDLE, STERN BRACKET CLAMP SCREW
35	F1638		2	SPRING PIN
36	817776A3		2	STERN BRACKET CLAMP SCREW W/FOOT, STUD AND HANDLE
37	FA324113		1	STERN BRACKET LOCK BAR W/END
38	F529125		1	TUBE, PIVOT STEERING
39	FS529032		1	STERN BRACKET STARBOARD W/CLAMP SCREW AND FOOT
40	F385433		1	TILT STOP
41	F213274		3	GREASE FITTING

CONTINUED ON NEXT PAGE ➡

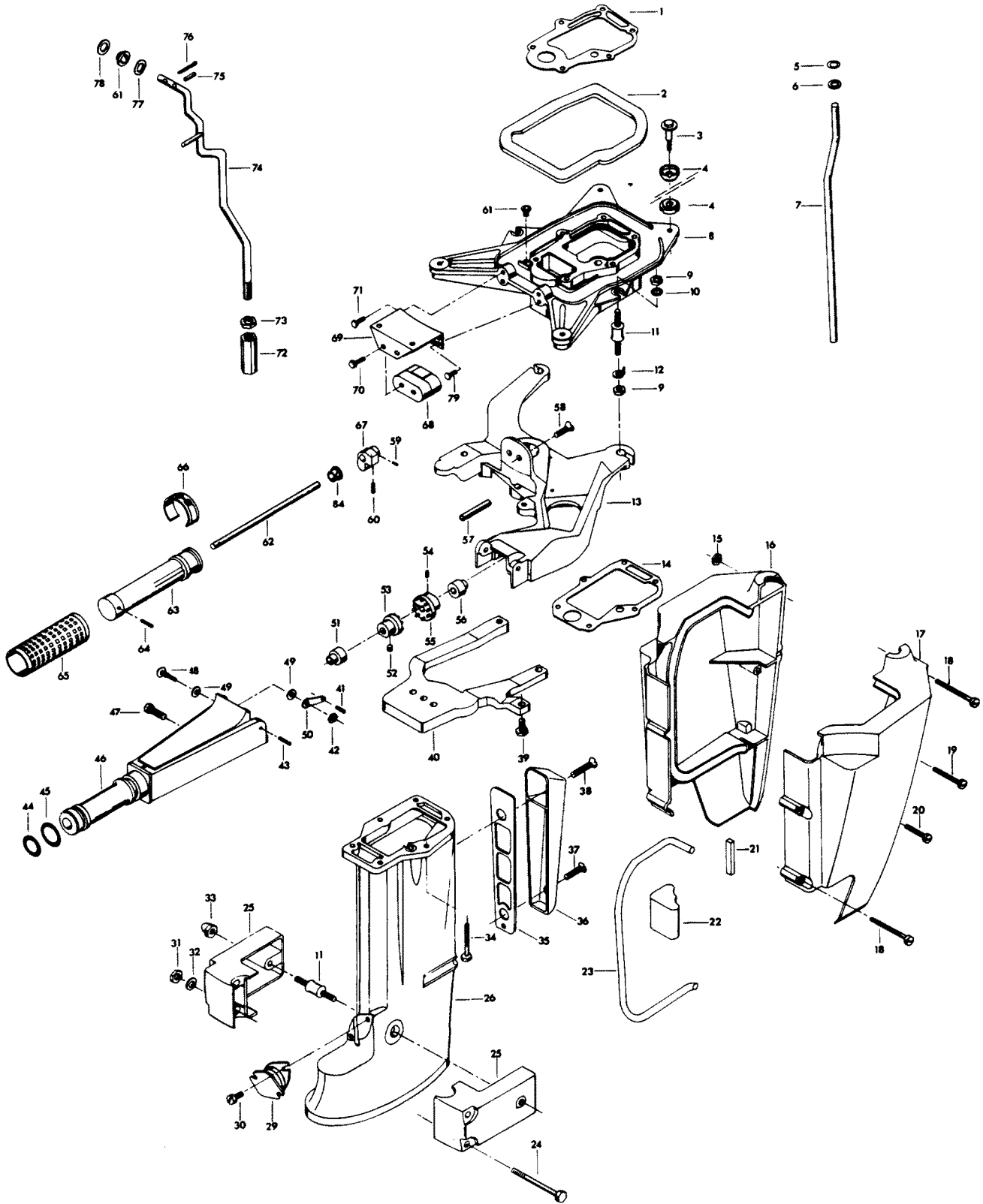
SWIVEL BRACKET GROUP



SWIVEL BRACKET GROUP

REF. NO.	PART NO.	SYM.	QTY.	DESCRIPTION
42	FA529072		1	SWIVEL BRACKET W/BEARINGS AND GREASE FITTINGS
43	F901011		1	WASHER, SWIVEL BRACKET
44	F190019-1		1	KINGPIN
45	F9018		2	CAP, PIVOT STEERING TUBE
-	F529390		1	DECAL, REVERSE LOCK (NOT SHOWN)

MOTOR LEG

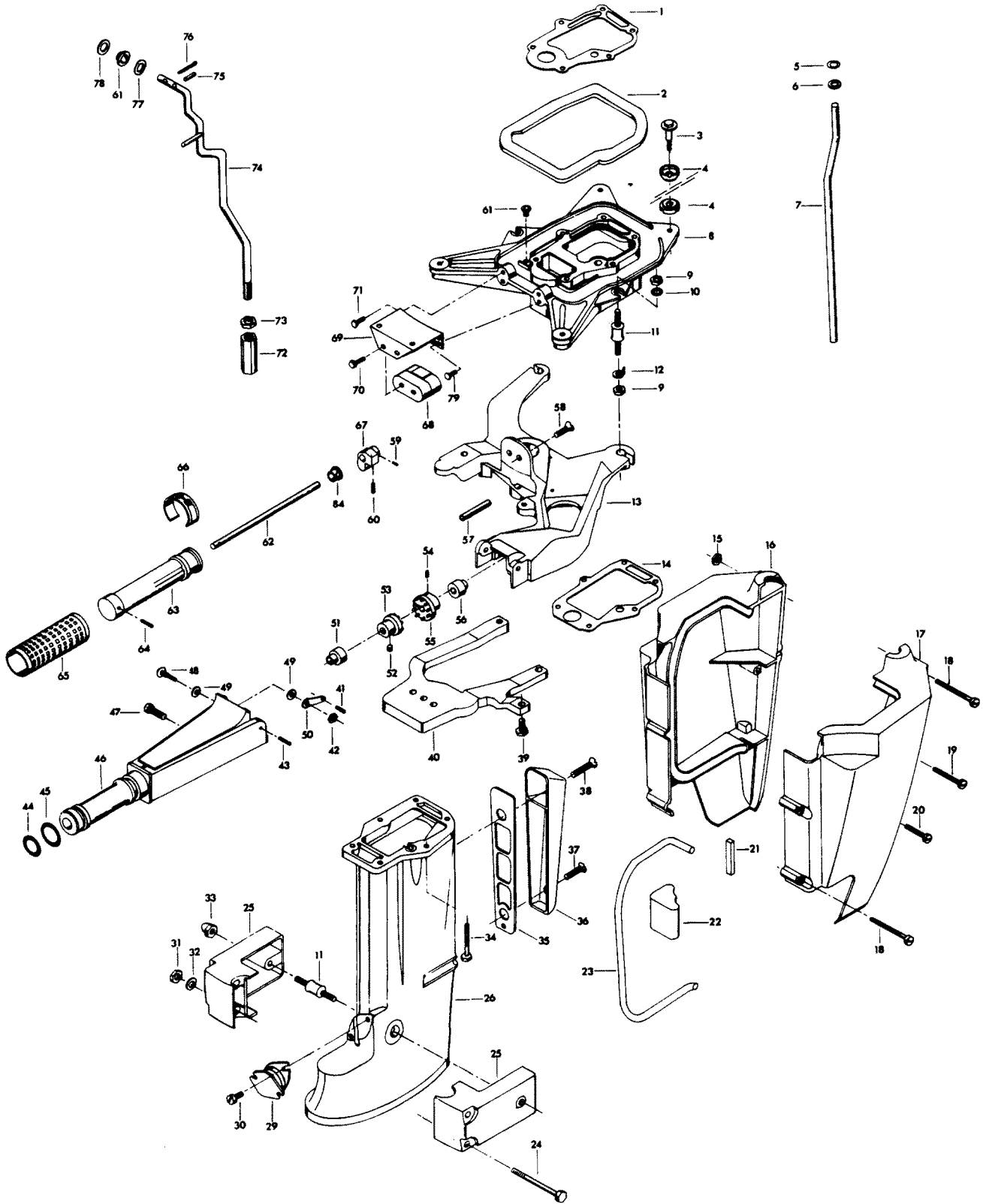


MOTOR LEG

REF. NO.	PART NO.	SYM.	QTY.	DESCRIPTION
1	F458279		1	GASKET, CYLINDER EXHAUST
2	F183756-1		1	PACKING, SUPPORT PLATE
3	F458887		4	FASTENER, SUPPORT PLATE MOUNT
4	F458347		8	MOUNT, SUPPORT PLATE
5	F24342		1	SEAL, WATER LINE UPPER
6	F2014		1	PLAIN WASHER
7	F142244		1	INLET WATER LINE
8	F458963		1	PLATE, SHOCK MOUNT
9	F1346		4	HEX NUT, 3/8 - 16
10	F1778		2	PLAIN WASHER
11	F458962		4	SHOCK MOUNT
12	F458076		2	TAB, SHOCK MOUNT SIDE
13	817809A1		1	PLATE, KINGPIN MOUNTING
14	F458453		1	GASKET, LEG EXHAUST
15	F1473		5	HEX NUT
16	F2A436145		1	MOTOR LEG COVER, STARBOARD W/PACKING
17	F2A436135		1	MOTOR LEG COVER, PORT W/PACKING
18	F1810		3	FILL HD SCREW, 10 - 24 X 2 1/2
19	F1811		1	FILL HD SCREW, 10 - 24 X 1 7/8
20	F1768		1	FILL HD SCREW, 10 - 24 X 1 3/8
21	F190323-1		1	PACKING, LEG COVER UPPER FRONT
22	F436322		2	PACKING, LEG COVER LOWER FRONT
23	F190321-1		2	PACKING, LEG COVER
24	F1491		2	HEX CAP SCREW, 5/16 - 18 X 3 1/4
25	F461707-1		2	COVER, SHOCK MOUNT LOWER
26	F461133-2		1	MOTOR LEG
29	F183346-1		1	SHOCK MOUNT LOWER THRUST
30	F1129		4	FILL HD SCREW, 5/16 - 18 X 1/2
31	F1515		2	HEX NUT, 5/16 - 18
32	F8096		2	SPRING LOCKWASHER
33	F2009		2	ACORN NUT, 3/8 - 16
34	F458166-2		6	SCREW, MOTOR LEG TO CYLINDER
35	F190833		1	GASKET, MOTOR LEG EXHAUST COVER
36	F190832-2		1	COVER, MOTOR LEG EXHAUST
37	F1150		1	FLAT HD SCREW, 1/4 - 20 X 1 1/8
38	F1148		1	FLAT HD SCREW, 1/4 - 20 X 1 1/2
39	F1745		3	HEX HD SCREW W/SPRING LOCKWASHER, 5/16 - 18 X 1
40	F385647		1	CARRYING HANDLE
41	F8550		1	SPRING PIN FOR MANUAL START MODELS
42	F1832		1	LOCK NUT FOR MANUAL START MODELS
43	F1664		1	SPRING PIN FOR MANUAL START MODELS
44	F215795		1	SEAL, STEERING HANDLE GRIP FOR MANUAL START MODELS

CONTINUED ON NEXT PAGE ➡

MOTOR LEG

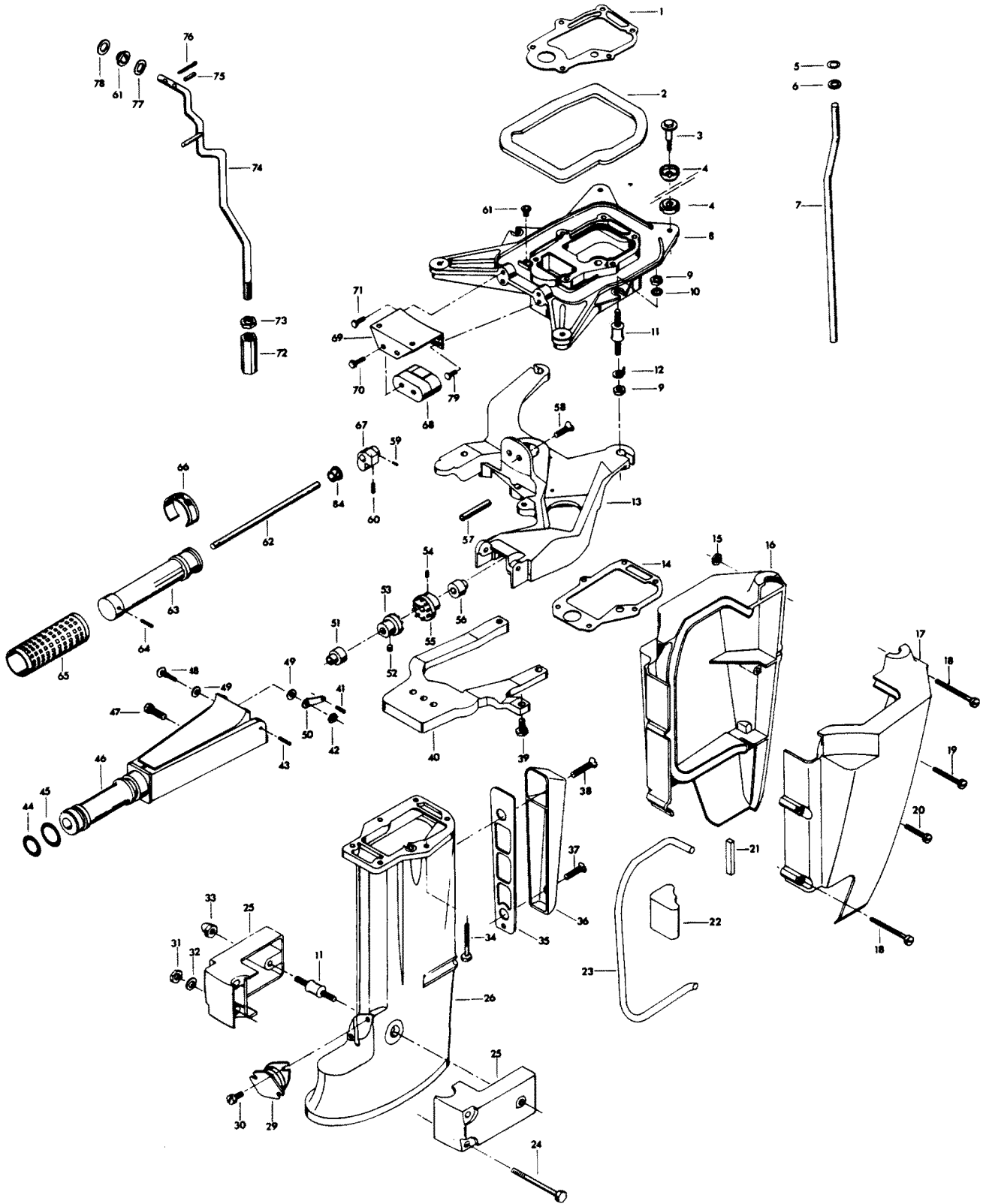


MOTOR LEG

REF. NO.	PART NO.	SYM.	QTY.	DESCRIPTION
45	F53795-1		1	SEAL, STEERING HANDLE GRIP FOR MANUAL START MODELS
46	F458079		1	STEERING HANDLE FOR MANUAL START MODELS
47	F458519		1	SCREW, TILLER IDLE STOP FOR MANUAL START MODELS
48	F295080		1	STEERING HANDLE PIVOT BOLT FOR MANUAL START MODELS
49	F295175		2	WASHER, STEERING HANDLE PIVOT BOLT FOR MANUAL START MODELS
50	F295457		1	WASHER, RETAINING STEERING HANDLE PIVOT BOLT FOR MANUAL START MODELS
51	F295689		1	BEARING, STEERING HANDLE GEAR FOR MANUAL START MODELS
52	F1954		1	HEX SOCKET HEADLESS SET SCREW, 5/16 - 24 X 1/4 FOR MANUAL START MODELS
53	FA413815		1	GEAR, STEERING HANDLE W/SET SCREW FOR MANUAL START MODELS
54	F1642		1	SOCKET HD CAP SCREW, 10 - 24 X 3/4 FOR MANUAL START MODELS
55	F288691		1	GEAR, MAGNETO CONTROL SHAFT FOR MANUAL START MODELS
56	F288689		1	BEARING, MAGNETO CONTROL SHAFT FOR MANUAL START MODELS
57	F1663		1	SPRING PIN
58	F1160		2	FLAT HD SCREW, 1/4 - 28 X 5/8
59	F1978		1	SPRING PIN FOR MANUAL START MODELS
60	F458690		1	SCREW, THROTTLE STOP FOR MANUAL START MODELS
61	F85610		2	BEARING
62	F458688		1	SHAFT, STEERING HANDLE FOR MANUAL START MODELS
63	FA456137		1	STEERING HANDLE GRIP W/SLEEVE FOR MANUAL START MODELS
64	F8548		1	SPRING PIN FOR MANUAL START MODELS
65	F458695		1	SLEEVE, STEERING HANDLE GRIP FOR MANUAL START MODELS
66	F286894-3		1	INDICATOR, SPEED CONTROL FOR MANUAL START MODELS
67	F458198		1	THROTTLE STOP FOR MANUAL START MODELS
68	F203965		1	SHOCK MOUNT UPPER THRUST
69	F40956		1	BRACKET, SHOCK MOUNT UPPER THRUST
70	F1211		2	HEX HD SCREW W/SPRING LOCKWASHER, 1/4 - 28 X 5/8
71	F1472		2	SLOTTED HEX CAP SCREW W/SPRING LOCKWASHER, 1/4 - 20 X 3/4
72	F901704		1	COUPLING, GEAR SHIFT ROD
73	F1341		1	HEX NUT, 1/4 - 20
74	F461615		1	GEAR SHIFT ROD UPPER
75	F1978		1	SPRING PIN
76	F1020		1	COTTER PIN
77	F8049		1	BOWED WASHER
78	F1987		1	PLAIN WASHER

CONTINUED ON NEXT PAGE ➡

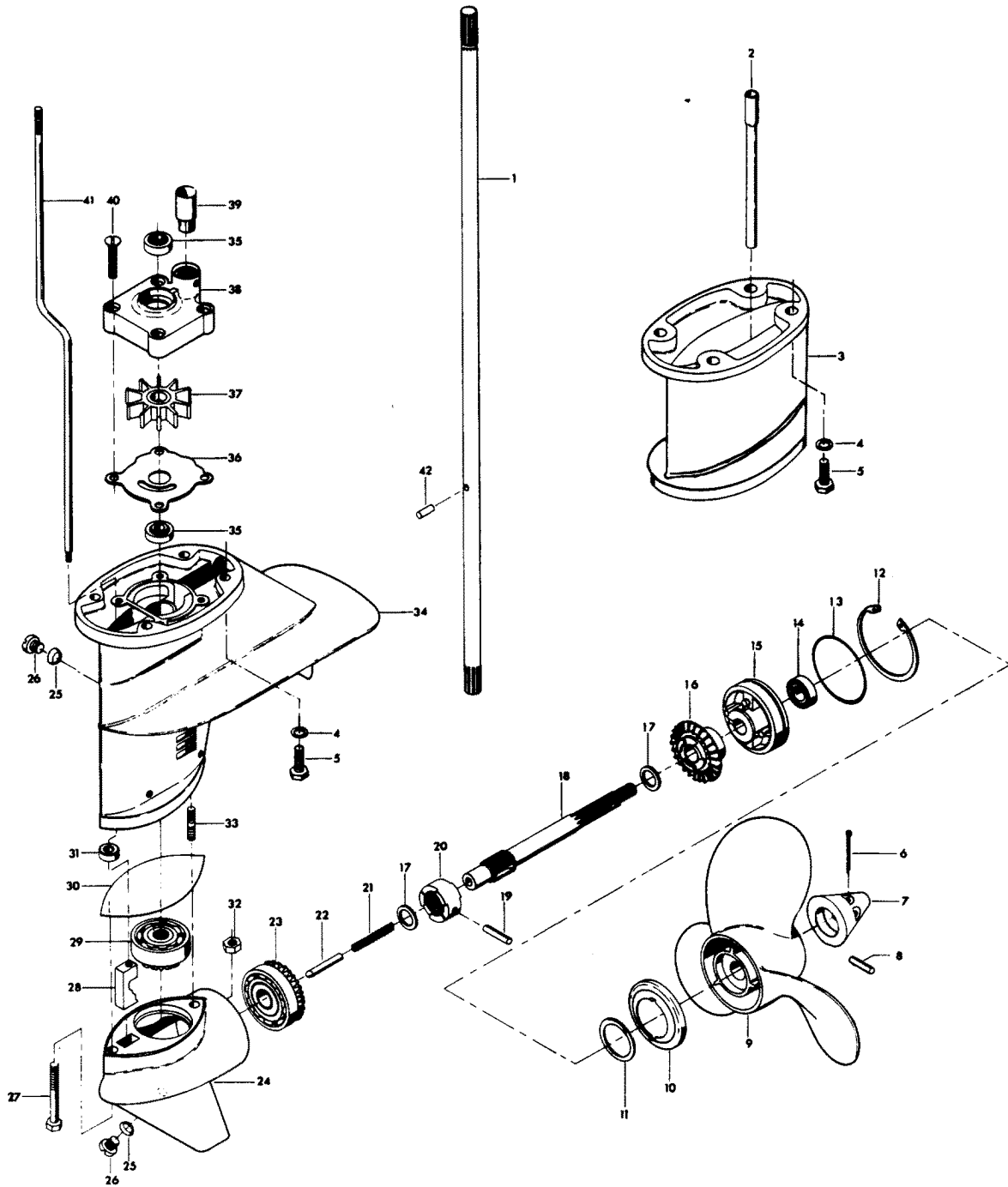
MOTOR LEG



MOTOR LEG

REF. NO.	PART NO.	SYM.	QTY.	DESCRIPTION
79	F1502		2	HEX CAP SCREW, 1/4 - 20 X 5/8
84	F85610		1	BEARING FOR MANUAL START MODELS
85	F2018		2	SPEED NUT, 1/4 - 20
86	F2011		2	PAN HD SCREW, 1/4 - 20 X 1 1/4
87	F460686		1	COVER, KINGPIN MOUNTING PLATE (ELECTRIC START MODELS)

GEAR HOUSING

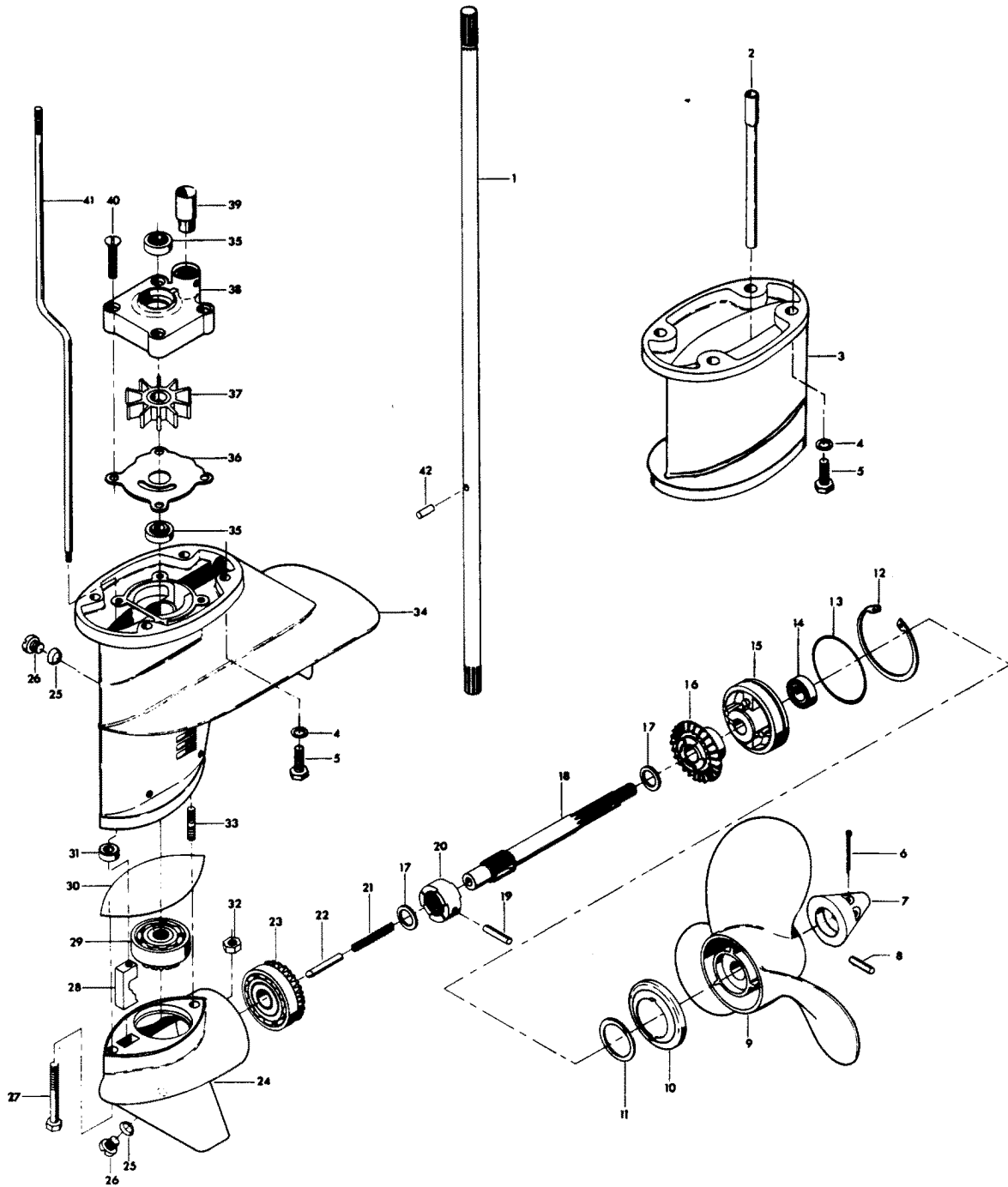


GEAR HOUSING

REF. NO.	PART NO.	SYM.	QTY.	DESCRIPTION
1	F436128		1	DRIVESHAFT FOR STANDARD SHAFT MODELS
-	F437128		1	DRIVESHAFT FOR LONG SHAFT MODELS
2	FS901244		1	EXTENSION, INLET WATER LINE
3	F461845		1	MOTOR LEG EXTENSION
4	F8096		8	SPRING LOCKWASHER
5	F2019		8	HEX CAP SCREW, 5/16 - 18 X 1 1/4
6	F1024		1	COTTER PIN
7	F461094-1		1	PROPELLER NUT
8	FA324101		1	PROPELLER PIN PACK OF 3 W/COTTER PIN
9	P346		1	PROPELLER (ACCESSORY ITEM)
10	F54262		1	WEED GUARD
11	F53983		1	RETAINING RING, WEED GUARD
12	F50411		1	RETAINING RING
13	F74305		1	SEAL, PROP SHAFT BEARING CAGE
14	F346118		1	SEAL, PROPELLER SHAFT
15	FA324298		1	PROP SHAFT BEARING CAGE W/BEARING AND ITEM 14
16	FA437662		1	BEVEL GEAR REAR W/BEARING
17	F456717		2	THRUST WASHER, BEVEL GEAR
18	FA437098		1	PROPELLER SHAFT
19	F1970		1	SPRING PIN
20	F437521		1	CLUTCH
21	F437719		1	CLUTCH SPRING
22	F901728		1	CLUTCH SHIFT PIN
23	FA437023		1	BEVEL GEAR FRONT W/BEARING
24	FK78054-4		1	GEAR HOUSING LOWER W/PLUG AND WASHER
25	F8077		2	WASHER, GEAR HOUSING PLUG
26	F50109		2	PLUG, GEAR HOUSING
27	F1888		1	HEX SOCKET HD CAP SCREW, 5/16 - 18 X 2 5/16
28	F901721		1	CLUTCH SHIFT CAM
29	FA78266-1		1	BEVEL PINION W/BEARING
30	F483555		1	SEAL, GEAR HOUSING
31	F338618-1		1	SEAL, GEAR SHIFT ROD LOWER
32	F1516		1	FINISHED HEX NUT, 5/16 - 18
33	F901008		1	STUD, GEAR HOUSING
34	A190554-4		1	GEAR HOUSING UPPER W/ITEMS 25, 26, 31 AND 35
35	F901307-2		2	SEAL, DRIVESHAFT AND WATER PUMP
36	F341562		1	BACK PLATE, WATER PUMP
37	F436065		1	IMPELLER, WATER PUMP
38	FA504060		1	WATER PUMP BODY W/ITEM 35
39	FA510914		1	SEAL, WATER LINE LOWER

CONTINUED ON NEXT PAGE ➡

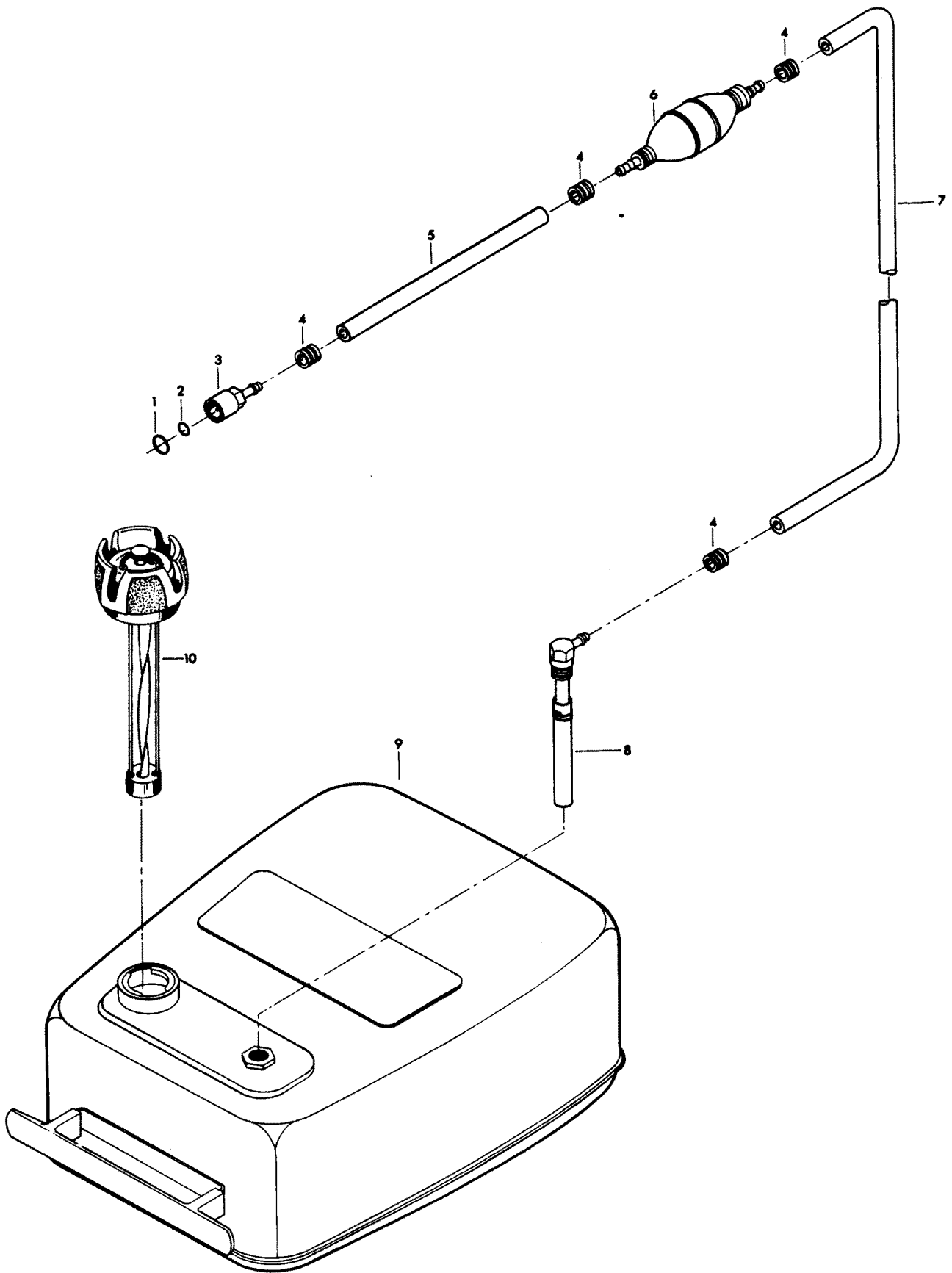
GEAR HOUSING



GEAR HOUSING

REF. NO.	PART NO.	SYM.	QTY.	DESCRIPTION
40	F1699		4	FLAT HD SCREW, 1/4 - 20 X 1 1/8
41	FS504705		1	GEAR SHIFT ROD LOWER FOR STANDARD SHAFT MODELS
-	FS505705		1	GEAR SHIFT ROD LOWER FOR LONG SHAFT MODELS
42	F901563		1	DRIVE PIN, WATER PUMP IMPELLER
-	1600-817898A1		1	LOWER GEAR HOUSING COMPLETE (NOT SHOWN) (INCLUDES ALL ITEMS MARKED WITH AN ASTERISK (*)) ORIGINAL FORCE P/N C461054-1

FUEL TANK AND LINE



FUEL TANK AND LINE

REF. NO.	PART NO.	SYM.	QTY.	DESCRIPTION
1	F213342		1	SEAL, FUEL LINE COUPLER
2	F213735		1	SEAL, FUEL LINE COUPLER
3	F197787-3		1	FUEL LINE COUPLER
4	F298788		4	FERRULE
5	FA84754-1		1	FUEL LINE SHORT W/CLAMPS
6	89396A38		1	PRIME BULB
7	32-817738A1		1	FUEL LINE LONG W/CLAMPS AND FERRULE
8	F487755		1	FUEL TANK ADAPTER
9	F5H027		1	FUEL TANK (ACCESSORY ITEM)
10	F409251-1		1	GAUGE CAP
-	FS409752		1	FUEL LINE COMPLETE (NOT SHOWN)

SPECIAL TOOLS - TUNE-UP

REF. NO.	PART NO.	SYM.	QTY.	DESCRIPTION
-	FT2910		0	KNOCK-OFF NUT TO REMOVE FLYWHEEL
-	FTA2937-1		0	TIMING TOOL TO ADJUST SPARK ADVANCE
-	T8974		0	POINT TENSION GAUGE TO MEASURE BREAKER POINT SPRING TENSION

SPECIAL TOOLS - POWER HEAD

REF. NO.	PART NO.	SYM.	QTY.	DESCRIPTION
-	FT8971		0	SEAL INSTALLER TO INSTALL UPPER CRANKSHAFT BEARING CAGE SEAL
-	FT8967		0	SEAL PROTECTOR TO PROTECT UPPER CRANKSHAFT BEARING CAGE SEAL DURING INSTALLATION
-	FT2953		0	SOCKET TO TORQUE CONNECTING ROD SCREWS
-	FT2990		0	PISTON PIN REMOVER TO REMOVE AND INSTALL PISTON PIN IN PISTON
-	FT8926		0	RING EXPANDER TO INSTALL RINGS ON PISTONS
-	FT2996		0	RING COMPRESSOR TO INSTALL PISTONS IN CYLINDERS
-	FT8977		0	SEAL COLLAR INSTALLER TO INSTALL CRANKSHAFT LOWER SEAL COLLAR
-	FT8976		0	SEAL PROTECTOR TO PROTECT CRANKSHAFT LOWER SEAL DURING INSTALLATION.

SPECIAL TOOLS - LOWER UNIT

REF. NO.	PART NO.	SYM.	QTY.	DESCRIPTION
-	FT8948-1		0	PROPELLER SHAFT BEARING CAGE PULLER TO REMOVE PROPELLER SHAFT BEARING CAGE FROM LOWER GEAR HOUSING
-	FT8919		0	SPRING PIN PUNCH TO REMOVE CLUTCH SPRING PIN
-	FT2907		0	DRIVESHAFT SEAL INSTALLER TO INSTALL DRIVESHAFT SEAL
-	FT8957		0	SEAL INSTALLER TO INSTALL SHIFT ROD SEAL

SPECIAL TOOLS - TEST EQUIPMENT

REF. NO.	PART NO.	SYM.	QTY.	DESCRIPTION
-	FT8968A		0	TEST WHEEL TO TEST MOTOR IN TEST TANK
-	FT8932		0	LIFTING HOOK TO LIFT ENGINE
-	FT8950		0	LEAKAGE TESTER TO TEST LOWER UNIT FOR LEAKAGE
-	FT8953		0	C-D TESTER TO TEST C-D UNIT.
-	FT8996		0	IGNITION TESTER TO TEST IGNITION SYSTEM.
-			0	HARNES ADAPTER TO TEST IGNITION SYSTEM.

ACCESSORIES

REF. NO.	PART NO.	SYM.	QTY.	DESCRIPTION
-	F5H081		0	BATTERY CABLE LONG LENGTH - 15 FEET
-	F5H019		0	ANTI-CORROSION KIT ELECTRICAL UNIT USED TO HELP PREVENT CORROSION.
-	F5H025		0	ANTI-CORROSION SACRIFICIAL ANODE USED TO HELP PREVENT CORROSION.
-	5H051		0	BATTERY, 74 AMP TWELVE VOLT HEAVY DUTY BATTERY TO OPERATE STARTER AND ELECTRICAL ACCESSORIES.
-	F5H021		0	BATTERY EXTENSION CABLE USED TO EXTEND BATTERY CABLE 6 1/2 FEET.
-	493		0	HANDLE PROVIDES REAR HANDLE AND REST PADS.
-	F5H020		0	CARRYING HANDLE PERMITS EASIER TRANSPORTATION OF ENGINE TO AND FROM BOAT (2 MAN).
-	F588		0	FLUSHING ADAPTER PERMITS FRESH WATER FLUSHING OF WATER PASSAGES WITH STANDARD GARDEN HOSE.
-	F5H008		0	FUEL GAUGE FLUSH MOUNT MONITORS FUEL SUPPLY. ELECTRIC START MODELS.
-	F5H028		0	SENDING UNIT FOR USE WITH ABOVE FUEL GAUGES.
-	F5H062		0	WATER PUMP HEAVY DUTY WATER PUMP RECOMMENDED FOR CONTINUED OPERATION IN SANDY OR SALT WATER.
-	F5H060		0	FROST WHITE LACQUER ENGINE TOUCH-UP PAINT IN 16 OZ. SPRAY BOMBS (12 CANS PER CASE).
-	5H016		0	GOLD LACQUER ENGINE TOUCH-UP PAINT IN 16 OZ. SPRAY BOMBS (12 CANS PER CASE).
-	F476		0	FUEL LINE ADAPTION KIT ADAPTS MODEL 71H09 FUEL TANK FOR DISCONNECT AT TANK.
-	F5H027		0	STEEL, 6 GALLON FUEL TANK AUXILIARY TANK.
-	F5H029		0	FUEL TANK ANCHOR SECURES 71H09 TO DECK.
-	5H065		0	CANVAS HOOD PROTECTION FOR ENGINE COVER.
-	F5H070		0	REMOTE ELECTRIC CABLE 21 FEET.
-	F5H004		0	SPEEDOMETER FLUSH MOUNT 0 TO 50 M.P.H.
-	F5H072		0	OVERHEAT BUZZER KIT FOR ELECTRIC START MODELS. WARNS OF ENGINE OVERHEATING.
-	167		0	IGNITION CUT-OFF KIT ALLOWS STOPPING OF ALL MAGNETO ENGINES FROM DASH.
-	F5H077		0	IGNITION KEY SWITCH FOR ELECTRIC START MODELS SHORT BARREL.
-	F5H078		0	IGNITION KEY SWITCH FOR ELECTRIC START MODELS LONG BARREL.
-	FK1025		0	LONG LEG CONVERSION KIT CONVERTS 15" STANDARD SHAFT MODELS TO 20" LONG SHAFT MODELS.
-	F195/___		0	REMOTE CONTROL CABLE CONNECTS REMOTE CONTROL BOX TO THROTTLE AND GEAR SHIFT ON MOTOR. AVAILABLE IN 6 THROUGH 20 FOOT LENGTHS.
-	F5H063		0	REMOTE CONTROL SURFACE MOUNT (SINGLE LEVER) PERMITS REMOTE CONTROL OF THROTTLE AND GEAR SHIFT FROM STARBOARD SIDE OF BOAT.
-	5H067		0	PORT SIDE DECAL KIT CONVERTS 72H36 CONTROL BOX TO PORT SIDE MOUNTING.

CONTINUED ON NEXT PAGE ➡

ACCESSORIES

REF. NO.	PART NO.	SYM.	QTY.	DESCRIPTION
-	F590		0	REMOTE CONTROL FLUSH MOUNT (SINGLE LEVER) PERMITS REMOTE CONTROL OF THROTTLE AND GEAR SHIFT. MAY BE MOUNTED ON PORT OR STARBOARD SIDE OF BOAT.
-	865		0	REMOTE CONTROL SURFACE MOUNT (SINGLE LEVER) PERMITS REMOTE CONTROL OF THROTTLE AND GEAR SHIFT ON TWIN ENGINE INSTALLATION. MAY BE MOUNTED ON PORT OR STARBOARD SIDE OF BOAT.
-	F137		0	REMOTE STEERING BRACKET ADAPTS MOTOR TO CABLE TYPE REMOTE STEERING.
-	F165		0	REMOTE STEERING BRACKET ADAPTS MOTOR TO CABLE TYPE REMOTE STEERING.
-	F5H018		0	DUAL ENGINE TIE BAR PERMITS DUAL ENGINE INSTALLATION.
-	F5H086		0	STARTER CONVERSION CONVERTS HAND START MODELS TO ELECTRIC START.
-	F74H01		0	VOLTMETER FLUSH MOUNT - INDICATES BATTERY CONDITION. ELECTRIC START MODELS.

SPECIFICATIONS

REF. NO.	PART NO.	SYM.	QTY.	DESCRIPTION
-			0	HORSEPOWER 25 B.I.A. CERTIFIED BRAKE H.P. AT 5000 R.P.M.
-			0	MOTOR TWO-CYCLE, TWIN CYLINDER, ALTERNATE FIRING.
-			0	BORE AND STROKE 2 13/16" BORE X 2.300" STROKE.
-			0	DISPLACEMENT 28.57 CUBIC INCHES.
-			0	CONNECTING RODS FORGED ALLOY STEEL. CAGED ROLLER BEARINGS AT CRANKSHAFT. CASED NEEDLE BEARINGS AT PISTON PIN.
-			0	CRANKSHAFT FORGED ALLOY STEEL. BALL BEARINGS AT LOWER MAIN. ROLLER BEARINGS AT CENTER AND UPPER MAIN.
-			0	CORROSION PROTECTION ALODINE TREATED CASTINGS. STAINLESS STEEL DRIVESHAFT, PROPELLER SHAFT, GEAR SHIFT ROD AND UNDERWATER FASTENERS.
-			0	FUEL TANK SEPARATE STEEL TANK, 6 U.S. GALLON, 5 IMPERIAL GALLON CAPACITY.
-			0	FUEL SYSTEM VACUUM - TYPE FUEL PUMP, FLOAT FEED CARBURETOR WITH FIXED HIGH SPEED JET AND ADJUSTABLE LOW SPEED JET.
-			0	FUEL FILTERS FILTER SCREENS IN FUEL TANK AND FUEL PUMP.
-			0	COOLING WATER COOLED, POSITIVE DISPLACEMENT TYPE WATER PUMP.
-			0	TRANSOM HEIGHT 15" OR 20" DEPENDING ON MODEL.
-			0	WEIGHT 105 - 112 LBS. FOR STANDARD SHAFT MODELS.
-			0	TILT LOCK POSITIVE TILT LOCK PERMITS ENGINE TO REMAIN IN TILTED POSITION WHEN NOT IN USE.
-			0	RECOMMENDED OPERATING RANGE 4500-5500 R.P.M.
-			0	PROPELLER ALUMINUM ALLOY, 8 1/2" DIAMETER, 10" PITCH, RIGHT HAND ROTATION.

LUBRICATION CHART

REF. NO.	PART NO.	SYM.	QTY.	DESCRIPTION
-			0	UPPER AND LOWER GEAR HOUSINGS CHECK AFTER EVERY THIRTY HOURS OF OPERATION AND REPLACE AFTER EVERY 100 HOURS WITH A NON-CORROSIVE LEADED OUTBOARD GEAR OIL -- CHRYSLER OUTBOARD GEAR LUBE. DO NOT USE CORROSIVE HYPOID OIL UNDER ANY CIRCUMSTANCE.
-			0	CONTROL LINKAGE LUBRICATE ALL MOVING PARTS AND CONTROL LINKAGE WITH RYKON # 2EP, PART NUMBER T2961 TWICE EACH SEASON OR OFTENER IF REQUIRED.
-			0	STERN BRACKET LUBRICATE STERN BRACKET AND ASSOCIATED PARTS WITH RYKON # 2#P, PART NUMBER T2961, TWICE EACH SEASON OR OFTENER IF REQUIRED.
-			0	GREASE FITTING GREASE FITTINGS ARE PROVIDED AT CRITICAL POINTS WHERE BEARING SURFACES ARE NOT EXPOSED EXTERNALLY. USING AN AUTOMOTIVE TYPE GREASE GUN AND LUBRICANT, GREASE TWICE EACH SEASON OR OFTENER IF REQUIRED.
-			0	STARTER PINION GEAR LUBRICATE WITH RYKON # 2EP, PART NUMBER T2961, TWICE EACH SEASON OR OFTENER IF REQUIRED.

SPECIAL ADJUSTMENTS

REF. NO.	PART NO.	SYM.	QTY.	DESCRIPTION
-			0	BREAKER POINT GAP .020" FOR MAGNETO MODELS.
-			0	SPARK PLUG CHAMPION L-4-J, GAP .030".
-			0	SPARK PLUG CHAMPION QL-4-J FOR MODELS 252B8D, 253B8D, 256B8C, 257B8C
-			0	FLYWHEEL NUT TORQUE TO 60 FOOT POUNDS.
-			0	CYLINDER HEAD BOLT TORQUE TO 190 INCH POUNDS.
-			0	POINT OF THROTTLE OPENING 1. UNSNAP BALL JOINT CONNECTOR FROM THROTTLE CAM.
-			0	POINT OF THROTTLE OPENING 2. WITH THROTTLE SHUTTER IN CARBURETOR CLOSED, ADJUST ECCENTRIC SCREW HOLDING THROTTLE ROLLER TO THROTTLE SHAFT SO THAT PICK-UP LINE ON LOWER END OF THROTTLE CAM IS EXACTLY CENTERED ON THROTTLE ROLLER.
-			0	POINT OF THROTTLE OPENING 3. ADVANCE THROTTLE MAGNETO CONTROL LEVER AND THROTTLE CAM TO FULL ADVANCE POSITION. (THROTTLE SHUTTER HORIZONTAL.)
-			0	POINT OF THROTTLE OPENING 4. ADJUST BALL JOINT CONNECTOR UNTIL SPACING IS IDENTICAL TO SPACING BETWEEN CONNECTOR STUD ON THROTTLE CAM AND MAGNETO CONTROL LEVER.
-			0	POINT OF THROTTLE OPENING

PARTS INDEX

Part Number	Description	Pg.	Ref. No.	Part Number	Description	Pg.	Ref. No.
167	IGNITION CUT-OFF KIT	54	-	F1075	FILL HD M. SCREW, 10 - 24 X 1/2	31	67
486314-1	ELBOW, DRAIN HOSE	29	32	F1077	FILL HD SCREW, 10 - 24 X 1/4	15	10
493	HANDLE	54	-	F1087	FILL HD SCREW, 10 - 24 X 7/8	3	36
505180	TRIM, REAR	3	8	F1092	FILL HD SCREW, 10 - 32 X 5/8	13	10
505180	TRIM, REAR	7	8	F1092	FILL HD SCREW, 10 - 32 X 5/8	17	5
505386-1	DECAL	5	60	F1100	SLOTTED FILL HD SCREW, 1/4 - 20 X 1 1/2	15	37
505386-1	DECAL, NUMERAL	7	39	F1107	FILL HD SCREW, 1/4 - 20 X 3/4	29	1
505392	DECAL, "CHRYSLER"	3	16	F1108	FILL HD MACHINE SCREW W/LOCKWASHER, 1/4 - 20 X 3/4	27	7
505392	DECAL, "CHRYSLER"	7	16	F1129	FILL HD SCREW, 5/16 - 18 X 1/2	39	30
505396	DECAL, STRIPE - STARBOARD	7	-	F1141	FLAT HD SCREW, 10 - 24 X 1/2	23	6
505396	DECAL, STRIPE STARBOARD	5	-	F1148	FLAT HD SCREW, 1/4 - 20 X 1 1/2	39	38
505397	DECAL, STRIPE - PORT	7	45	F1150	FLAT HD SCREW, 1/4 - 20 X 1 1/8	39	37
505397	DECAL, STRIPE PORT	5	71	F1160	FLAT HD SCREW, 1/4 - 28 X 5/8	41	58
510373-1	DECAL, MAGNAPOWER (NOT SHOWN)	17	17	F12083	CONDENSER MOUNTING SCREW	13	2
5H016	GOLD LACQUER	54	-	F12088	GROMMET, LEAD WIRE	13	13
5H051	BATTERY, 74 AMP	54	-	F1211	HEX HD SCREW W/SPRING LOCKWASHER, 1/4 - 28 X 5/8	41	70
5H065	CANVAS HOOD	54	-	F12127	STUD NUT	13	15
5H067	PORT SIDE DECAL KIT	54	-	F12128	INSULATOR, OUTSIDE	13	17
817747--1	JOINT BALL ASSEMBLY	31	57	F12129	INSULATOR, INSIDE	13	19
817776A3	STERN BRACKET CLAMP SCREW W/FOOT, STUD AND HANDLE	35	36	F12142	CONNECTION STUD	13	18
817808A2	LEVER, GEAR SHIFT	29	29	F12146	COIL WEDGE SPRING	13	11
817809A1	PLATE, KINGPIN MOUNTING . . .	39	13	F12153	BREAKER POINT SET	13	20
817882A1	FRICTION SHOE ADJUSTING ARM	35	2	F12170	CONTACT SCREW W/LOCKWASHER	13	22
817938A1	RETAINER, STARTER ROPE HANDLE FOR MANUAL START MODELS	9	12	F12181-1	CONDENSER	13	3
817955A1	HOUSING, HAND STARTER	9	2	F12186	GROUND LEAD	13	4
865	REMOTE CONTROL SURFACE MOUNT (SINGLE LEVER)	55	-	F12228	CAM WIPER FELT	13	21
89396A38	PRIME BULB	49	6	F12346	STATOR PLATE W/LAMINATIONS (MANUAL START MODELS)	13	9
A190554-4	GEAR HOUSING UPPER	45	34	F1236	HEX CAP SCREW, 1/4 - 20 X 1/2	3	26
A458010-1	CYLINDER W/CRANKCASE COVER, SCREWS AND DOWEL PINS	29	7	F1236	HEX CAP SCREW, 1/4 - 20 X 1/2	7	22
A529892-1	INSERT, FRONT PLATE, U.S.A.	7	41	F1280	PAN HD SCREW, 8 - 32 X 1/4	15	11
C461010-1	SHORT BLOCK FOR HAND START MODELS (NOT SHOWN)	31	-	F1293	DRIVE SCREWS	5	54
F10025	GASKET SET	19	29	F1293	DRIVE SCREWS	7	33
F10027	REPAIR PARTS KIT	19	30	F1337	NUT, 6 - 32	17	12
F1014	COTTER PIN	35	20	F1341	HEX NUT	31	69
F1014	COTTER PIN FOR ELECTRIC START MODELS	21	52	F1341	HEX NUT, 1/4 - 20	11	15
F1020	COTTER PIN	41	76	F1341	HEX NUT, 1/4 - 20	41	73
F1024	COTTER PIN	45	6	F1346	HEX NUT, 3/8 - 16	39	9
F1050	SLOTTED FILL HD SCREW, 10 - 24 X 1	17	3				
F1059	FILL HD SCREW, 6 - 32 X 1/4 FOR ELECTRIC START MODELS	21	50				
F1072	FILL HD SCREW, 1/4 - 20 X 1 3/4	31	50				

PARTS INDEX

Part Number	Description	Pg.	Ref. No.	Part Number	Description	Pg.	Ref. No.
F137	REMOTE STEERING BRACKET	55	-	F1516	HEX NUT, 5/16 - 18	23	2
F142244	INLET WATER LINE	39	7	F154317	CLAMP, REMOTE CABLE	3	28
F1472	SLOTTED HEX CAP SCREW W/SPRING LOCKWASHER, 1/4 - 20 X 3/4	41	71	F154317	CLAMP, REMOTE CABLE	7	24
F1473	HEX NUT	39	15	F1552	PAN HD SCREW, 8 - 32 X 1/2	17	29
F1473	HEX NUT, 10 - 24	5	67	F1600	LOCK NUT, 7/8 - 14	35	15
F1475	FILL HD SCREW, 10 - 24 X 1/2	3	15	F1632	PLASTI-PLUG	3	22
F1475	FILL HD SCREW, 10 - 24 X 1/2	7	15	F1632	PLASTI-PLUG	7	21
F1491	HEX CAP SCREW, 5/16 - 18 X 3 1/4	39	24	F1638	SPRING PIN	9	22
F1500	RD HD SHEET METAL SCREW, 4 X 1/4 FOR MANUAL START MODELS	9	24	F1638	SPRING PIN	35	35
F15002	SPRING SET	11	23	F1642	SOCKET HD CAP SCREW, 10 - 24 X 3/4 FOR MANUAL START MODELS	41	54
F15010	ARMATURE	11	18	F1645	RD HD SCREW, 6 - 32 X 1/4	17	15
F15015	BRUSH SET	11	22	F1645	ROUND HD SCREW, 6 - 32 X 1/4	15	4
F15019-1	HEAD ASSEMBLY COMMUTATOR END	11	24	F1647	HEX NUT	15	9
F1502	HEX CAP SCREW, 1/4 - 20 X 5/8	31	68	F1648	SLOTTED PAN HD SCREW, 10 - 24 X 3/4	15	20
F1502	HEX CAP SCREW, 1/4 - 20 X 5/8	43	79	F1648	SLOTTED PAN HD SCREW, 10 - 24 X 3/4	17	22
F1502	HEX HD MACHINE SCREW, 1/4 - 20 X 5/8	7	18	F165	REMOTE STEERING BRACKET	55	-
F1502	HEX HD SCREW, 1/4 - 20 X 5/8	3	18	F1663	SPRING PIN	41	57
F15021-1	HEAD ASSEMBLY DRIVE END	11	16	F1664	SPRING PIN FOR MANUAL START MODELS	39	43
F15084	SCREW SHAFT	11	8	F1666	BOWED SPRING LOCKWASHER	35	12
F15087	HEX NUT	11	2	F1669	NUT	35	26
F15091	WASHER	11	9	F1689	HEX CAP SCREW, 1/4 - 20 X 1/2	31	71
F15095	BENDIX DRIVE	11	1	F1689	HEX CAP SCREW, 1/4 - 20 X 1/2	35	7
F15097	THRU BOLT PACKAGE	11	28	F1699	FLAT HD SCREW, 1/4 - 20 X 1 1/8	47	40
F15098	THRUST WASHER PACKAGE	11	17	F1704	INTERNAL TOOTH LOCKWASHER	15	5
F15102	SPRING, ANTI-DRIFT	11	4	F1704	INTERNAL TOOTH LOCKWASHER	17	10
F15103	PINION	11	7	F1705	HEX CAP SCREW, 1/4 - 20 X 3/4	11	21
F15104	CUP, CUSHION THRUST	11	12	F1727	PLASTI-RIVET	29	6
F15105	CUP, CUSHION	11	10	F1734	FILL HD MACHINE SCREW W/SPRING LOCKWASHER, 1/4 - 20 X 1/2	15	29
F15106	CUSHION	11	11	F1745	HEX HD SCREW W/SPRING LOCKWASHER, 5/16 - 18 X 1	39	39
F15107	CUP, PINION	11	5	F1746	HEX CAP SCREW, 1/4 - 28 X 5/8	17	19
F15108	SLEEVE	11	6	F1753	FASTENER	3	12
F15109	CUP, STOP	11	3	F1753	FASTENER	7	12
F15117	FRAME AND FIELD ASSEMBLY	11	20	F1755	ROUND HD SCREW W/LOCKWASHER, 6 - 32 X 5/16	23	12
F1513	HEX NUT	13	7	F1760	PAN HD SCREW, 10 - 24 X 3/8	3	24
F1513	HEX NUT	17	8	F1760	PAN HD SCREW, 10 - 24 X 3/8	5	63
F1513	HEX NUT, 10 - 32	15	16	F1768	FILL HD SCREW, 10 - 24 X 1 3/8	39	20
F1513	HEX NUT, 10 - 32	29	30				
F1514	HEX JAM NUT, 1/4 - 20	11	13				
F1515	HEX JAM NUT, 5/16 - 18	5	57				
F1515	HEX JAM NUT, 5/16 - 18	7	36				
F1515	HEX NUT	15	14				
F1515	HEX NUT, 5/16 - 18	39	31				
F1516	FINISHED HEX NUT, 5/16 - 18	45	32				

PARTS INDEX

Part Number	Description	Pg.	Ref. No.	Part Number	Description	Pg.	Ref. No.
F177330	FUEL PUMP VALVE	27	4	F190832-2	COVER, MOTOR LEG		
F1778	PLAIN WASHER	39	10		EXHAUST	39	36
F1803	STOP NUT	31	56	F190833	GASKET, MOTOR LEG		
F1810	FILL HD SCREW, 10 - 24 X 2				EXHAUST COVER	39	35
	1/2	39	18	F1910	LOCK NUT	31	60
F1811	FILL HD SCREW, 10 - 24 X 1			F1916	HEX HD SCREW, 1/4 - 20 X 1		
	7/8	39	19		1/8	15	34
F18132-1	HANDLE, STARTER ROPE (ELEC. START MODELS)	9	26	F1922	HEX HD SCREW, 1/4 - 20 X		
					5/8	29	33
F1832	LOCK NUT FOR MANUAL START MODELS	39	42	F1927	PAN HD SCREW, 10 - 32 X		
					3/8	9	4
F1833	HEX HD SCREW, 1/4 - 20 X 1	31	49	F1934	FLAT HD SCREW, 6 X 1/2	15	32
F183300	SPRING, LATCH SHAFT	5	55	F195/_	REMOTE CONTROL CABLE	54	-
F183300	SPRING, LATCH SHAFT	7	34	F1954	HEX SOCKET HEADLESS SET SCREW, 5/16 - 24 X		
F183300	SPRING, MAGNETO CONTROL SHAFT	3	34		1/4	41	52
F183346-1	SHOCK MOUNT LOWER THRUST	39	29	F1970	SPRING PIN	45	19
				F1975	LOCKWASHER	17	23
F183504	GROMMET, MAGNETO CONTROL SHAFT	3	31	F1975	SPRING LOCKWASHER	15	17
				F197787-3	FUEL LINE COUPLER	49	3
F1836	SPRING PIN	5	49	F1978	SPRING PIN	41	75
F1836	SPRING PIN	35	21	F1978	SPRING PIN FOR MANUAL START MODELS	41	59
F183756-1	PACKING, SUPPORT PLATE	39	2	F1979	SLOTTED PAN HD SCREW, 10 - 24 X 3/4	15	25
F183813	BEARING	31	53				
F183818	BEARING, CHOKE ROD	3	23	F1987	PLAIN WASHER	41	78
F183990	SPACER, KINGPIN	35	28	F1987	PLAIN WASHER, FOR ELECTRIC START MODELS	29	-
F184033-1	SWIVEL, CHOKE ARM FOR ELECTRIC START MODELS	19	49	F1987	PLAIN WASHER, FOR HAND START MODELS	29	13
F184579	SEAL, CHOKE ARM SWIVEL FOR ELECTRIC START MODELS	19	48	F1997	LOCK NUT	19	40
				F2004	FILL HD SCREW, 8 - 32 X 3/8	9	15
F1854	HEX CAP SCREW, 1/4 - 20 X 5/8	15	18	F2005	HEX SOCKET HD CAP SCREW, 5/16 - 18 X 2 3/4	29	10
F1854	HEX CAP SCREW, 1/4 - 20 X 5/8	29	43	F2008	HEX HD SCREW, 1/4 - 20 X 7/8	17	18
F185764	RETAINING RING	5	56				
F185764	RETAINING RING	7	35	F2008	HEX HD SCREW, 1/4 - 20 X 7/8	23	1
F1859	HEX SOCKET HEADLESS SET SCREW, 1/4 - 28 X 3/16	3	33	F2009	ACORN NUT, 3/8 - 16	39	33
F1859	HEX SOCKET HEADLESS SET SCREW, 1/4 - 28 X 3/16	5	47	F2010	FILL HD SCREW W/SPRING LOCKWASHER, 10 - 32 X 9/16	13	23
F1860	BINDING HD MACHINE SCREW, 6 - 32 X 1/4	27	3	F2010	FILL HD SCREW W/SPRING LOCKWASHER, 10 - 32 X 9/16	17	6
F1864	HEX SLOTTED HD SCREW, 1/4 - 20 X 3/4	29	9	F2011	PAN HD SCREW, 1/4 - 20 X 1 1/4	43	86
F1864	SLOTTED HEX HD SCREW, 1/4 - 20 X 3/4 (ELECTRIC START MODELS)	9	-	F2012	PLAIN WASHER	17	26
				F2012	PLAIN WASHER (ELECTRIC START MODELS)	9	-
F1864	SLOTTED HEX HD SCREW, 1/4 - 20 X 3/4 (HAND START MODELS)	9	1	F2012	PLAIN WASHER (HAND START MODELS)	9	27
F1888	HEX SOCKET HD CAP SCREW, 5/16 - 18 X 2 5/16	45	27	F2013	HEX SOCKET HD CAP SCREW, 5/16 - 18 X 1 1/4	29	14
F190019-1	KINGPIN	37	44	F2014	PLAIN WASHER	31	72
F190321-1	PACKING, LEG COVER	39	23	F2014	PLAIN WASHER	39	6
F190323-1	PACKING, LEG COVER UPPER FRONT	39	21	F2016	FILL HD MACHINE SCREW, 6 - 32 X 7/8	15	3
				F2018	SPEED NUT, 1/4 - 20	43	85

PARTS INDEX

Part Number	Description	Pg.	Ref. No.	Part Number	Description	Pg.	Ref. No.
F2019	HEX CAP SCREW, 5/16 - 18 X 1 1/4	45	5	F295080	STEERING HANDLE PIVOT BOLT FOR MANUAL START MODELS	41	48
F2021	FLYWHEEL NUT	9	14	F295175	WASHER, STEERING HANDLE PIVOT BOLT FOR MANUAL START MODELS	41	49
F2021	FLYWHEEL NUT, 5/8 - 18	17	1	F295457	WASHER, RETAINING STEERING HANDL PIVOT BOLT FR MANL STRT MDLS	41	50
F2025	PAN HD SCREW, 10 X 5/8	3	4	F295689	BEARING, STEERING HANDLE GEAR FOR MANUAL START MODELS	41	51
F2025	PAN HD SCREW, 10 X 5/8	7	4	F296898	TERMINAL	15	23
F2026	PLASTIC RIVET	5	65	F298788	FERRULE	49	4
F2033	GROOVE PIN FOR ELECTRIC START MODELS	21	53	F2A436135	MOTOR LEG COVER, PORT W/PACKING	39	17
F203965	SHOCK MOUNT UPPER THRUST	41	68	F2A436145	MOTOR LEG COVER, STARBOARD W/PACKING	39	16
F2040	HEX HD MACHINE SCREW, 1/4 - 20 X 5/8	9	19	F2A458081	MAGNETO CONTROL LEVER W/CONNECTOR STUD	31	54
F2066	PAN HD SCREW, 10 X 7/16	3	6	F2A458581	COLLAR W/LOWER CRANKSHAFT SEAL	25	11
F2066	PAN HD SCREW, 10 X 7/16	7	6	F2A504614	KNOB, GEAR SHIFT W/SHAFT AND INDICATOR	3	43
F2095	SPRING PIN	35	30	F307317	CLIP, TERMINAL BLOCK GROUND	15	21
F2107	SLOTTED FILL HD SCREW W/SPRING LOCKWASHER, 10 - 24 X 5/8	3	29	F307818	BEARING	5	51
F2107	SLOTTED FILL HD SCREW W/SPRING LOCKWASHER, 10 - 24 X 5/8	7	25	F307818	BEARING	29	20
F213274	GREASE FITTING	35	41	F307818	BEARING LATCH SHAFT	7	28
F213342	SEAL, FUEL LINE COUPLER	49	1	F307818	BEARING, LATCH SHAFT	3	39
F213735	SEAL, FUEL LINE COUPLER	49	2	F316160	REED	23	10
F215795	SEAL, STEERING HANDLE GRIP FOR MANUAL START MODELS	39	44	F324689	BEARING, MAGNETO CONTROL SHAFT	3	35
F24074	CLAMP SCREW FOOT	35	31	F324840-1	GROMMET, REMOTE SHIFT CABLE	5	52
F24342	SEAL, WATER LINE UPPER	39	5	F324840-1	GROMMET, REMOTE THROTTLE CABLE	3	30
F24623-1	GROMMET, GEAR SHIFT, CHOKE ROD	3	45	F324993	BRACKET, CHOKE ROD BEARING	3	25
F269052	BEARING, SHIFT LEVER	29	28	F333316	SHAFT, THROTTLE ROLLER	19	42
F269122-1	SEAL, CRANKCASE PARTING LINE	29	8	F335217-1	BEARING, PISTON PIN	25	3
F269319	BEARING, THROTTLE CAM	31	61	F338618-1	SEAL, GEAR SHIFT ROD LOWER	45	31
F286028-1	CRANKSHAFT LOWER MAIN BEARING	25	14	F341562	BACK PLATE, WATER PUMP	45	36
F286282	WASHER	31	55	F346118	SEAL, PROPELLER SHAFT	45	14
F286422-1	PIVOT, TILT LOCK	35	8	F366215	SPACER, PISTON PIN	25	2
F286440	STUD, MAGNETO CONTROL LEVER	31	52	F366364	ARM, REVERSE LOCK	35	23
F286451	SPACER, TILT LOCK	35	9	F366801	FITTING	29	18
F286544-1	SPRING, TILT LOCK	35	11	F381896-4	CABLE BATTERY ENTRY	15	13
F286547	CHOKE KNOB	3	41	F385433	TILT STOP	35	40
F286772-1	CLAMP (FUEL PUMP TO CARBURETOR)	27	16	F385647	CARRYING HANDLE	39	40
F286772-1	CLAMP, FUEL PUMP TO CARBURETOR HOSE	15	38	F391926-1	PLUNGER, CHOKE SOLENOID FOR ELECTRIC START MODELS	19	46
F286894-3	INDICATOR, SPEED CONTROL FOR MANUAL START MODELS	41	66	F40209	CARBURETOR STUD	23	3
F288075	HANDLE, STERN BRACKET CLAMP SCREW	35	34	F407446	CLAMP, BATTERY CABLE	15	30
F288689	BEARING, MAGNETO CONTROL SHAFT FOR MANUAL START MODELS	41	56	F40906-1	CARBURETOR	31	-
				F40906-1	FLANGE GASKET	19	9

PARTS INDEX

Part Number	Description	Pg.	Ref. No.	Part Number	Description	Pg.	Ref. No.
F409251-1	GAUGE CAP	49	10	F458132	HANDLE, STARTER ROPE FOR MANUAL START MODELS	9	11
F40956	BRACKET, SHOCK MOUNT UPPER THRUST	41	69	F458146	SEAL, CRANKSHAFT UPPER MAIN	29	2
F429811	SCREEN, CYLINDER DRAIN	29	36	F458151	EXHAUST PORT PLATE	31	47
F433168	CARBURETOR ADAPTER	31	-	F458152	EXHAUST PORT COVER	31	48
F433168	GASKET, CARBURETOR ADAPTER W/STUDS	23	5	F458154	EXHAUST PORT PLATE	31	-
F433209	STUD, THROTTLE CAM	31	63	F458154	GASKET, EXHAUST PORT PLATE	31	46
F433404	DEFLECTOR PLATE	23	7	F458166-2	SCREW, MOTOR LEG TO CYLINDER	39	34
F433406	DEFLECTOR PLATE	31	-	F458192	THROTTLE CAM	31	62
F433406	GASKET, DEFLECTOR PLATE	23	8	F458198	THROTTLE STOP FOR MANUAL START MODELS	41	67
F434767	BUSHING, FUEL LINE	5	70	F458223	GASKET, TRANSFER PORT COVER	29	37
F434767	BUSHING, FUEL LINE	7	31	F458223	TRANSFER PORT COVER	31	-
F436065	IMPELLER, WATER PUMP	45	37	F458232	STARTER ROPE	9	10
F436128	DRIVESHAFT FOR STANDARD SHAFT MODELS	45	1	F458239	STARTER PULLEY	9	8
F436322	PACKING, LEG COVER LOWER FRONT	39	22	F458245	BAFFLE, TILT HANDLE	3	2
F436449	SHORTING SWITCH FOR MANUAL START MODELS	13	5	F458245	BAFFLE, TILT HANDLE	7	2
F436541	TILT LOCK (PORT)	35	10	F458277	CRANKSHAFT BEARING CAGE	31	-
F437128	DRIVESHAFT FOR LONG SHAFT MODELS	45	-	F458277	GASKET, CRANKSHAFT BEARING CAGE	29	4
F437521	CLUTCH	45	20	F458279	CYLINDER EXHAUST	31	-
F437719	CLUTCH SPRING	45	21	F458279	GASKET, CYLINDER EXHAUST	39	1
F438165	SCREW, FUEL PUMP BOWL	27	11	F458347	MOUNT, SUPPORT PLATE	39	4
F438500	FUEL PUMP BOWL	27	10	F458371	BRACKET, REMOTE THROTTLE CABLE	3	27
F438617	FUEL PUMP BOWL	31	-	F458371	BRACKET, REMOTE THROTTLE CABLE	7	23
F438617	GASKET, FUEL PUMP BOWL	27	8	F458424	SPRING, STARTER PAWL PLATE	9	9
F438653	SCREEN, FUEL PUMP	27	9	F458445	LINK, MAGNETO CONTROL SHAFT	31	51
F438747	FUEL PUMP DIAPHRAGM	27	2	F458453	GASKET, LEG EXHAUST	39	14
F438760	FUEL PUMP	31	-	F458453	LEG EXHAUST	31	-
F438760	FUEL PUMP GASKET	27	1	F458456	HAND STARTER COLLAR	9	13
F438801	FITTING, FUEL PUMP BODY	27	15	F458498	FLYWHEEL KEY (MANUAL START MODELS)	25	18
F440209	STUD, GEAR SHIFT LEVER	29	31	F458502	ROD, THROTTLE CAM	31	59
F455305	SEAL, CRANKSHAFT COLLAR	25	13	F458503	CHOKE ROD	3	21
F456717	THRUST WASHER, BEVEL GEAR	45	17	F458509	LINK, MAGNETO STATOR	31	58
F458003	STARTER INTERLOCK LEVER	9	23	F458519	SCREW, TILLER IDLE STOP FOR MANUAL START MODELS	41	47
F458015-1	PISTON	25	6	F458529	CYLINDER HEAD	33	-
F458017	PISTON PIN	25	4	F458529	GASKET, CYLINDER HEAD	29	38
F458028	BEARING, CRANKSHAFT UPPER MAIN	25	19	F458531	ROD, SHIFT INTERLOCK	29	24
F458038-2	SUPPORT PLATE	3	20	F458579	SEAL, CRANKCASE	25	10
F458038-2	SUPPORT PLATE	7	20	F458592	RETAINER, STARTER PULLEY	9	16
F458066	THERMOSTAT COVER	29	44	F458677	INSERT, CHOKE KNOB	3	42
F458067	GASKET, THERMOSTAT COVER	31	45	F458688	SHAFT, STEERING HANDLE FOR MANUAL START MODELS	41	62
F458067	THERMOSTAT COVER	31	-				
F458071	SPRING, STARTER HANDLE GUIDE FOR MANUAL START MODELS	9	5				
F458076	TAB, SHOCK MOUNT SIDE	39	12				
F458079	STEERING HANDLE FOR MANUAL START MODELS	41	46				
F458109	PLUG, CYLINDER HEAD	29	40				

PARTS INDEX

Part Number	Description	Pg.	Ref. No.	Part Number	Description	Pg.	Ref. No.
F458695	SLEEVE, STEERING HANDLE GRIP FOR MANUAL START MODELS	41	65	F483555	SEAL, GEAR HOUSING	45	30
F458754	HOSE, FUEL PUMP TO CARBURETOR	27	14	F483827	LEVER, REVERSE LOCK	35	17
F458846	SPRING, STARTER INTERLOCK LEVER	9	21	F483884	BEARING	35	22
F458880	CLIP, STARTER GUIDE	5	66	F487755	FUEL TANK ADAPTER	49	8
F458887	FASTENER, SUPPORT PLATE MOUNT	39	3	F50109	PLUG, GEAR HOUSING	45	26
F458888-1	TRIM, STARTER HANDLE GUIDE	5	64	F504052	BEARING	31	65
F458936	SCREW, CYLINDER HEAD	29	41	F50411	RETAINING RING	45	12
F458937	LINER, STARTER HOUSING	9	3	F504527	CAP, INTERLOCK	31	66
F458953-1	GUIDE, STARTER HANDLE FOR MANUAL START MODELS	9	6	F504621	LEVER, GEAR SHIFT CONTROL	5	48
F458962	SHOCK MOUNT	39	11	F504809	ROD, STARTER INTERLOCK	31	64
F458963	PLATE, SHOCK MOUNT	39	8	F504836	SPACER, GEAR SHIFT SHAFT	5	50
F458970	SPRING, STARTER REWIND	9	7	F505269	TILT HANDLE	3	3
F458977-3	LEVER, SHIFT INTERLOCK	29	21	F505269	TILT HANDLE	7	3
F460097-1	FLYWHEEL	13	1	F505711	PLATE, FRONT	5	68
F460163-1	COVER, SUPPORT PLATE	7	30	F510374	DECAL, CIRCUIT BREAKER	15	36
F460317	CLAMP, CHOKE SOLENOID	31	70	F510450-1	RECTIFIER	17	20
F460427	BRACKET, STARTER MOTOR	15	1	F510460	CIRCUIT BREAKER	15	24
F460573	CLAMP, STARTER MOTOR	11	19	F510475	IGNITION COIL	17	21
F460664	STATOR GROUND WIRE	13	6	F529029	TRIGGER	17	11
F460664	WIRE, STATOR GROUND FOR ELECTRIC START MODELS	17	9	F529095	STATOR, ALTERNATOR	17	4
F460686	COVER, KINGPIN MOUNTING PLATE (ELECTRIC START MODELS)	43	87	F529097	FLYWHEEL	17	2
F460917	STARTER RELAY	15	19	F529125	TUBE, PIVOT STEERING	35	38
F460925	ROD, CHOKE SOLENOID FOR ELECTRIC START MODELS	19	47	F529286	WASHER, SWIVEL BRACKET FRICTION	35	13
F461061-2	CARBURETOR COMPLETE (WB19C)	19	43	F529301	C-D MODULE	17	16
F461094-1	PROPELLER NUT	45	7	F529358	BRACKET, ELECTRICAL COMPONENTS	17	14
F461133-2	MOTOR LEG	39	26	F529390	DECAL, REVERSE LOCK (NOT SHOWN)	37	-
F461342	SEAL, DRIVESHAFT SPLINE	25	12	F529398	DECAL, WIRING	15	28
F461400	INDICATOR, GEAR SHIFT	3	44	F529711	PLATE, FRONT	7	42
F461615	GEAR SHIFT ROD UPPER	41	74	F529726	BEARING	35	18
F461707-1	COVER, SHOCK MOUNT LOWER	39	25	F529744	WIRING HARNESS	15	6
F461774	BRACKET, RETAINER REAR	3	19	F53504	GROMMET, SUPPORT PLATE	7	29
F461774	BRACKET, RETAINER REAR	7	19	F53795-1	SEAL, STEERING HANDLE GRIP FOR MANUAL START MODELS	41	45
F461845	MOTOR LEG EXTENSION	45	3	F53983	RETAINING RING, WEED GUARD	45	11
F461952	STRAP, HAND STARTER HOUSING	9	20	F54262	WEED GUARD	45	10
F462840	GROMMET	7	26	F588	FLUSHING ADAPTER	54	-
F463864	RETAINER, TILT HANDLE	3	5	F590	REMOTE CONTROL FLUSH MOUNT (SINGLE LEVER)	55	-
F463864	RETAINER, TILT HANDLE	7	5	F5H004	SPEEDOMETER	54	-
F476	FUEL LINE ADAPTION KIT	54	-	F5H008	FUEL GAUGE FLUSH MOUNT	54	-
F483300	SPRING	35	27	F5H018	DUAL ENGINE TIE BAR	55	-
F483349-1	REVERSE LOCK	35	25	F5H019	ANTI-CORROSION KIT	54	-
F483510-1	LINK, REVERSE LOCK	35	24	F5H020	CARRYING HANDLE	54	-
				F5H021	BATTERY EXTENSION CABLE	54	-
				F5H025	ANTI-CORROSION SACRIFICIAL ANODE	54	-
				F5H027	FUEL TANK (ACCESSORY ITEM)	49	9
				F5H027	STEEL, 6 GALLON FUEL TANK	54	-

PARTS INDEX

Part Number	Description	Pg.	Ref. No.	Part Number	Description	Pg.	Ref. No.
F5H028	SENDING UNIT	54	-	F84792	FUEL PUMP VALVE GASKET	27	5
F5H029	FUEL TANK ANCHOR	54	-	F85026	SWIVEL, SHIFT INTERLOCK LEVER	29	19
F5H038	IGNITION SWITCH MOUNTING KIT (ACCESSORY ITEM)	15	31	F8537	SPRING PIN	35	33
F5H060	FROST WHITE LACQUER	54	-	F8548	SPRING PIN FOR MANUAL START MODELS	41	64
F5H062	WATER PUMP	54	-	F85498	FLYWHEEL KEY (ELECTRIC START MODELS)	25	-
F5H063	REMOTE CONTROL SURFACE MOUNT (SINGLE LEVER)	54	-	F8550	SPRING PIN FOR MANUAL START MODELS	39	41
F5H070	REMOTE ELECTRIC CABLE	54	-	F8559	DOWEL PIN	29	15
F5H072	OVERHEAT BUZZER KIT	54	-	F85610	BEARING	41	61
F5H077	IGNITION KEY SWITCH	54	-	F85610	BEARING FOR MANUAL START MODELS	43	84
F5H078	IGNITION KEY SWITCH	54	-	F85634-1	SCREW, CONNECTING ROD	25	15
F5H078	IGNITION SWITCH (ACCESSORY ITEM)	15	12	F85735-1	SEAL	3	11
F5H081	BATTERY CABLE	54	-	F85735-1	SEAL	7	11
F5H086	STARTER CONVERSION	55	-	F85756	PACKING, ENGINE COVER	3	17
F66480	STUD	35	32	F85756	PACKING, ENGINE COVER	7	17
F7004	LOCK NUT, 3/8 - 16	29	25	F85843-1	CABLE, ELECTRIC CONTROL	15	27
F7011	HEX NUT	3	13	F85924	CHOKE SOLENOID	15	7
F7011	HEX NUT, 10 - 24	7	13	F88161-3	REED STOP	23	11
F7024	STOP NUT	35	1	F89777-1	CAM, ENGINE COVER LATCH	5	59
F74305	SEAL, PROP SHAFT BEARING CAGE	45	13	F89777-1	CAM, ENGINE COVER LATCH	7	38
F74H01	VOLTMETER	55	-	F90096	RETAINER, PISTON PIN	25	1
F8011	PLAIN WASHER	7	44	F901008	STUD, GEAR HOUSING	45	33
F8011	PLAIN WASHER	9	25	F901011	WASHER, SWIVEL BRACKET	37	43
F8011	PLAIN WASHER	19	44	F901169-1	BEARING, SWIVEL BRACKET	35	29
F8049	BOWED WASHER	41	77	F901307-2	SEAL, DRIVESHAFT AND WATER PUMP	45	35
F8055	LOCKWASHER	13	16	F901563	DRIVE PIN, WATER PUMP IMPELLER	47	42
F8056	SPRING LOCKWASHER	15	8	F901631-1	FRICTION SHOE	35	5
F8058	INTERNAL TOOTH LOCKWASHER	29	27	F901704	COUPLING, GEAR SHIFT ROD	41	72
F8059	SPRING LOCKWASHER	13	8	F901721	CLUTCH SHIFT CAM	45	28
F8059	SPRING LOCKWASHER	17	7	F901728	CLUTCH SHIFT PIN	45	22
F8077	WASHER, GEAR HOUSING PLUG	45	25	F901775	PLATE, FRICTION SHOE	35	4
F8078	INTERNAL TOOTH LOCKWASHER	17	24	F9018	CAP, PIVOT STEERING TUBE	37	45
F8083	SPRING LOCKWASHER	11	26	F901822-1	STUD, SWIVEL BRACKET	35	3
F8083	SPRING LOCKWASHER	15	33	F9022	SHIM .006 (SILVER)	9	17
F8083	SPRING LOCKWASHER	35	6	F9023	SHIM .007 (BRASS)	9	-
F8088	PLAIN WASHER	15	35	F9024	SHIM .010 (BLACK)	9	-
F8088	PLAIN WASHER FOR ELECTRIC START MODELS	21	51	F90807	RETAINER, CHOKE ROD FOR MANUAL START MODELS	19	45
F8094	PLAIN WASHER	35	19	F91446-1	BRACKET, CIRCUIT BREAKER	15	26
F8096	SPRING LOCKWASHER	5	58	F92759	ROLLER, THROTTLE CAM FOLLOWER	19	41
F8096	SPRING LOCKWASHER	7	37	F97772	FUEL LINE CLAMP	27	12
F8096	SPRING LOCKWASHER	15	15	F98273	ROD END CONNECTOR STUD	29	26
F8096	SPRING LOCKWASHER	39	32	FA12345	COIL W/LEAD WIRE	13	12
F8096	SPRING LOCKWASHER	45	4				
F84026	SWIVEL, SHIFT INTERLOCK BEARING	29	23				
F84035-2	BEARING, SHIFT INTERLOCK ROD	29	22				
F84314-2	ELBOW	19	39				
F84449	SWITCH, STARTER INTERLOCK	15	2				

PARTS INDEX

Part Number	Description	Pg.	Ref. No.	Part Number	Description	Pg.	Ref. No.
FA324113	STERN BRACKET LOCK BAR W/END	35	37	FA77395-5	PLATE, IDENTIFICATION W/SCREWS, U.S.A.	5	53
FA324298	PROP SHAFT BEARING CAGE	45	15	FA77395-5	PLATE, IDENTIFICATION W/SCREWS, U.S.A.	7	32
FA343178	RETAINER, GEAR SHIFT SHAFT W/SET SCREW ..	3	46	FA78266-1	BEVEL PINION W/BEARING	45	29
FA343178	RETAINER, MAGNETO CONTROL SHAFT W/SET SCREW	3	32	FA84754-1	FUEL LINE SHORT W/CLAMPS	49	5
FA413469	COVER LATCH HANDLE W/SHAFT	3	38	FA85754-1	HOSE, FUEL PUMP TO BUSHING	27	13
FA413469	COVER LATCH HANDLE W/SHAFT	7	27	FC505010	SHORT BLOCK FOR ALTERNATOR MODELS (NOT SHOWN)	31	-
FA413815	GEAR, STEERING HANDLE W/SET SCREW FOR MANUAL START MODELS	41	53	FG1010	GASKET SET (SEE BELOW)	31	-
FA437023	BEVEL GEAR FRONT W/BEARING	45	23	FK1025	LONG LEG CONVERSION KIT	54	-
FA437098	PROPELLER SHAFT	45	18	FK750-2	SPARKIE W/SPRING	13	14
FA437662	BEVEL GEAR REAR W/BEARING	45	16	FK78054-4	GEAR HOUSING LOWER W/PLUG AND WASHER ..	45	24
FA438431	FUEL PUMP BODY W/VALVES	27	6	FK85228	BEARING CAGE W/ROLLERS (16 PER SET)	25	16
FA456137	STEERING HANDLE GRIP W/SLEEVE FOR MANUAL START MODELS	41	63	FO10165	INLET SEAT GASKET	19	19
FA458144	CRANKSHAFT BEARING CAGE	29	3	FO10280	CHOKE SHUTTER RETAINING SCREW AND LOCKWASHER	19	8
FA458158	REED PLATE W/REEDS, STOPS AND SCREWS ...	23	9	FO10588	BODY CHANNEL CUP PLUG	19	1
FA458167	CARBURETOR ADAPTER ..	23	4	FO10790	INLET NEEDLE, SEAT AND GASKET	19	18
FA458254	HOSE, DRAIN	29	17	FO10883	CHOKE RELIEF VALVE SPRING	19	4
FA458260	PISTON RING SET (4 PER SET)	25	7	FO11103	IDLE MIXTURE SCREW SPRING	19	17
FA458423	STARTER PAWL PLATE ASSEMBLY	9	18	FO12250	CHOKE SHUTTER	19	7
FA458480	RETAINER, ENGINE COVER REAR W/SCREWS AND NUTS	3	14	FO12251	CHOKE RELIEF VALVE	19	3
FA458480	RETAINER, ENGINE COVER REAR W/SCREWS AND NUTS	7	14	FO13552	FUEL BOWL	19	12
FA458518	CYLINDER HEAD W/PLUGS	29	39	FO13554	FLOAT	19	10
FA458571	ROLLER, CENTER MAIN ...	25	9	FO13944	FLOAT LEVER PIN	19	11
FA458655	LINER, CENTER MAIN	25	8	FO13945	FUEL BOWL RETAINING SCREW	19	14
FA458778	RETAINER, ENGINE COVER FRONT W/SCREWS AND NUTS	5	61	FO14166	IDLE MIXTURE SCREW	19	16
FA458778	RETAINER, ENGINE COVER FRONT W/SCREWS AND NUTS	7	40	FO14188	MAIN FUEL JET (.066) (STANDARD)	19	20
FA458838	MAGNETO CONTROL SHAFT	3	37	FO15213	MAIN NOZZLE	19	21
FA458892	INSERT, PLATE FRONT, U.S.A.	5	62	FO15623	FUEL BOWL GASKET	19	13
FA504060	WATER PUMP BODY	45	38	FO16397	CHOKE SHAFT RETURN SPRING	19	6
FA504082	MAGNETO STATOR RING ..	29	5	FO16561	THROTTLE SHAFT AND LEVER	19	22
FA504222	TRANSFER PORT COVER ..	29	34	FO16562	CHOKE SHAFT AND LEVER	19	5
FA510497	TERMINAL BLOCK	15	22	FO16563	THROTTLE SHAFT RETURN SPRING	19	26
FA510914	SEAL, WATER LINE LOWER	45	39	FO17639	THROTTLE SHUTTER	19	27
				FO2510	FUEL BOWL RETAINING SCREW GASKET	19	15
				FO3804	THROTTLE SHAFT POSITION RETAINING SCREW WASHER	19	25
				FO4326	BODY CHANNEL WELCH PLUG	19	2

PARTS INDEX

Part Number	Description	Pg.	Ref. No.	Part Number	Description	Pg.	Ref. No.
FO6396	THROTTLE SHAFT POSITION RETAINING SCREW LOCKWASHER ..	19	24	39-818119A1	PISTON RINGS (4 PER SET) .030 OVERSIZE (NOT SHOWN)	25	-
FO8942	THROTTLE SHUTTER RETAINING SCREW AND LOCKWASHER	19	28	400-818058A1	CRANKSHAFT W/LOWER MAIN BEARING (MANUAL START MODELS)	25	17
FS174227	SPARK PLUG (L-4-J)	29	42	400-818063A1	CRANKSHAFT W/LOWER MAIN BEARING (ELECTRIC START MODELS)	25	-
FS409752	FUEL LINE COMPLETE (NOT SHOWN)	49	-	600-818052A4	CONNECTING ROD W/CAP AND SCREWS	25	5
FS460955	STARTER MOTOR COMPLETE	11	-	700-818118A1	PISTON .030 OVERSIZE (NOT SHOWN)	25	-
FS504705	GEAR SHIFT ROD LOWER FOR STANDARD SHAFT MODELS	47	41	1600-817898A1	LOWER GEAR HOUSING COMPLETE (NOT SHOWN)	47	-
FS505705	GEAR SHIFT ROD LOWER FOR LONG SHAFT MODELS	47	-				
FS529032	STERN BRACKET STARBOARD W/CLAMP SCREW AND FOOT	35	39				
FS529532	STERN BRACKET PORT W/CLAMP SCREW AND FOOT	35	14				
FS529712	ENGINE COVER W/FRONT AND REAR RETAINERS ..	3	1				
FS529712	ENGINE COVER W/FRONT AND REAR RETAINERS ..	7	1				
FS901244	EXTENSION, INLET WATER LINE	45	2				
FSA458015	PISTON .010 OVERSIZE (NOT SHOWN)	25	-				
FSA458260	PISTON RINGS (4 PER SET) .010 OVERSIZE (NOT SHOWN)	25	-				
FT2907	DRIVESHAFT SEAL INSTALLER	52	-				
FT2910	KNOCK-OFF NUT	50	-				
FT2953	SOCKET	51	-				
FT2990	PISTON PIN REMOVER	51	-				
FT2996	RING COMPRESSOR	51	-				
FT8919	SPRING PIN PUNCH	52	-				
FT8926	RING EXPANDER	51	-				
FT8932	LIFTING HOOK	53	-				
FT8948-1	PROPELLER SHAFT BEARING CAGE PULLER	52	-				
FT8950	LEAKAGE TESTER	53	-				
FT8953	C-D TESTER	53	-				
FT8957	SEAL INSTALLER	52	-				
FT8967	SEAL PROTECTOR	51	-				
FT8968A	TEST WHEEL	53	-				
FT8971	SEAL INSTALLER	51	-				
FT8976	SEAL PROTECTOR	51	-				
FT8977	SEAL COLLAR INSTALLER ..	51	-				
FT8996	IGNITION TESTER	53	-				
FTA2937-1	TIMING TOOL	50	-				
P346	PROPELLER (ACCESSORY ITEM)	45	9				
T8974	POINT TENSION GAUGE ...	50	-				
21-817741A1	CHECK VALVE	29	35				