



PARTS CATALOG

4 H.P.

SERIAL NUMBER

| | |
|----------------|-------|
| 4 (1978) | 42B8C |
| 4 (1978) | 42H8C |
| 4 (1978) | 47B8C |
| 4 (1978) | 47H8C |

TABLE OF CONTENTS:

| | |
|------------------------------------|----|
| ACCESSORIES | 22 |
| CARBURETOR AND REED PLATE | 8 |
| ENGINE COVER AND FUEL TANK | 2 |
| GEAR HOUSING | 18 |
| LUBRICATION CHART | 24 |
| MAGNETO | 6 |
| MOTOR LEG | 14 |
| PARTS INDEX | 26 |
| POWER HEAD AND SUPPORT PLATE | 10 |
| SPECIAL ADJUSTMENTS | 25 |
| SPECIFICATIONS | 23 |
| STARTER | 4 |

NOTE: *Indented description indicate that these parts are included in preceeding assembly.*

AR = As Required

NSS = Not Sold Separate

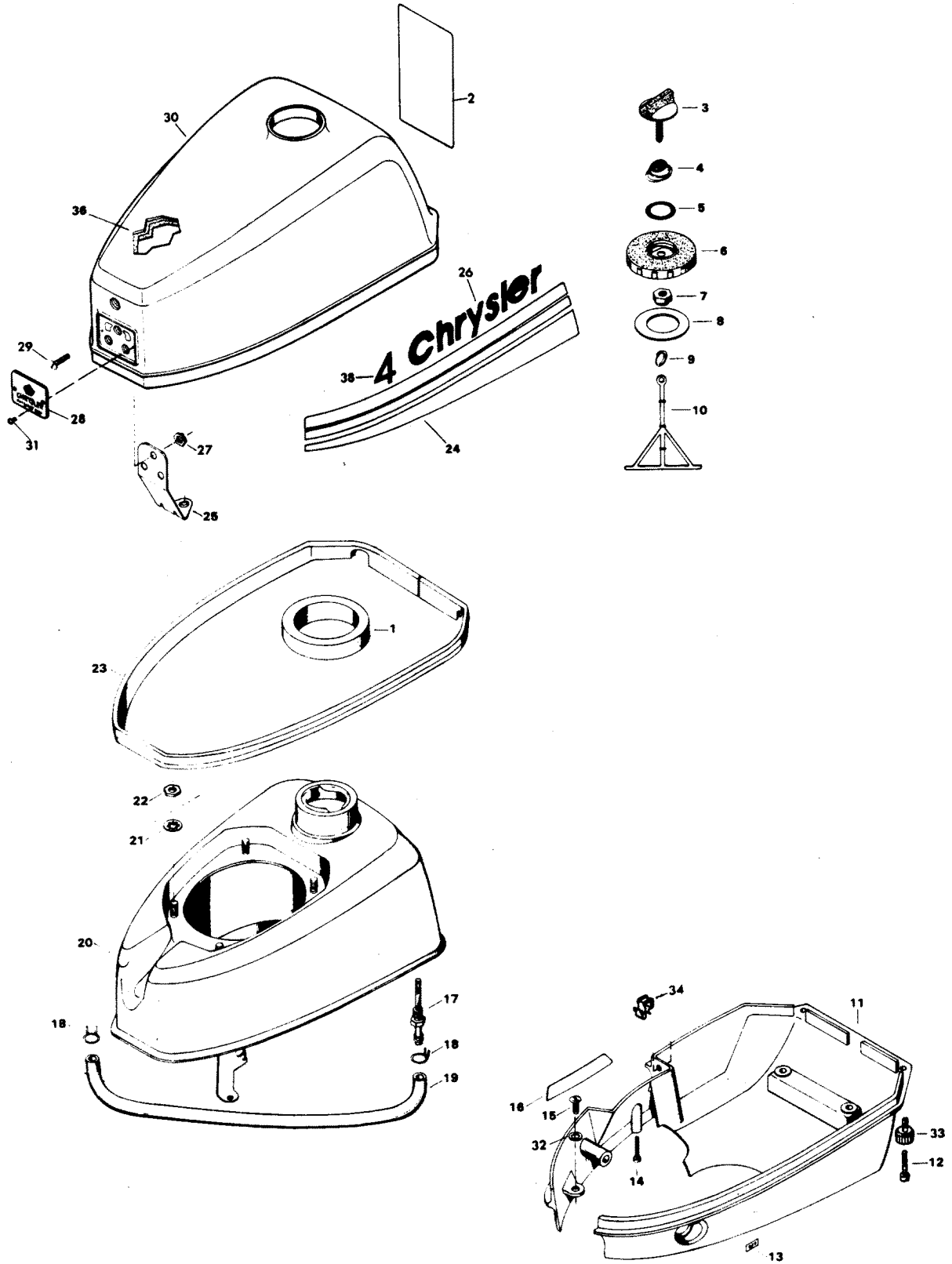
OPT = Optional

NS = Not Shown

THESE PARTS BOOKS/FICHE CARD ARE COPYRIGHTED AND MAY NOT BE DISTRIBUTED OR REPRODUCED IN ANY OTHER FORMAT BY ANYONE OTHER THAN MERCURY MARINE WITHOUT THE PRIOR WRITTEN CONSENT OF MERCURY MARINE.

THIS PAGE INTENTIONALLY LEFT BLANK

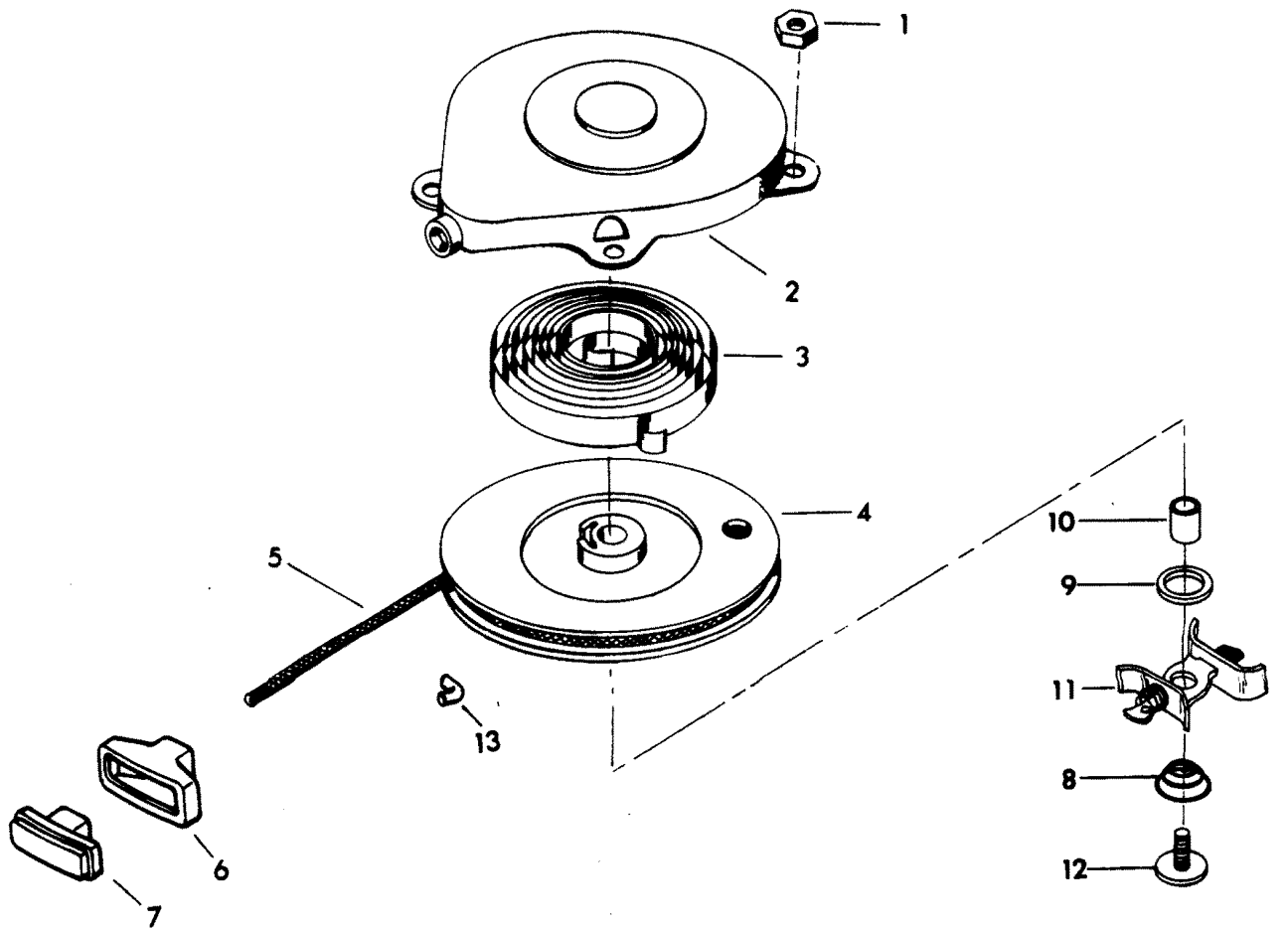
ENGINE COVER AND FUEL TANK



ENGINE COVER AND FUEL TANK

| REF. NO. | PART NO. | SYM. | QTY. | DESCRIPTION |
|----------|---------------------|------|----------|--|
| 1 | F459186 | | 1 | COLLAR, FUEL TANK |
| 2 | 527528 | | 1 | DECAL, TRIM REAR |
| 3 | F17940 | | 1 | VENT CAP |
| 4 | F17942 | | 1 | CAP, TENSION SPRING |
| 5 | F17935 | | 1 | GASKET, "O" RING |
| 6 | F17936 | | 1 | FUEL CAP |
| 7 | F17941 | | 1 | NUT, VENT SCREW |
| 8 | F17943-1 | | 1 | FUEL CAP GASKET |
| 9 | F427249 | | 1 | RETAINING RING |
| 10 | F17938 | | 1 | ANCHOR |
| 11 | 341944 | | 1 | ENGINE COVER, BOTTOM |
| 12 | F1995 | | 2 | SLOTTED FILL HD SCREW, 10 - 24 X 1 |
| 13 | F521894 | | 1 | DECAL, "OFF" (U.S.A.) |
| - | FC521894 | | 1 | DECAL, "OFF" (CANADA) |
| 14 | F1829 | | 1 | FILL HD M. SCREW, 10 - 24 X 7/8 |
| 15 | F1035 | | 3 | SLOTTED FILL HD SCREW, 1/4 - 20 X 5/8 |
| 16 | F521391-1 | | 1 | DECAL, SPEED RANGE (U.S.A.) |
| - | 37-817908--3 | | 1 | DECAL, SPEED RANGE (CANADA) |
| 17 | F521811 | | 1 | FITTING, GAS TANK |
| 18 | F2706772 | | 2 | HOSE CLAMP |
| 19 | F901754 | | 1 | HOSE |
| 20 | F521034-1 | | 1 | FUEL TANK |
| 21 | F8061 | | 4 | INTERNAL TOOTH LOCKWASHER |
| 22 | F1896 | | 4 | HEX NUT |
| 23 | FK525713 | | 1 | PACKING, TOP COVER TRIM |
| 24 | F527397 | | 1 | DECAL, STRIPE - PORT |
| - | F527396 | | 1 | DECAL, STRIPE - STARBOARD |
| 25 | FA521778 | | 1 | RETAINER, ENGINE COVER FRONT W/SCREWS AND NUTS |
| 26 | F527392 | | 2 | DECAL, CHRYSLER |
| 27 | F7009 | | 3 | HEX NUT |
| 28 | FA521892 | | 1 | INSERT, PLATE FRONT - U.S.A. |
| - | FA521893 | | 1 | INSERT, PLATE FRONT - CANADA |
| 29 | F1979 | | 3 | PAN HD SCREW, 10 - 24 X 1/2 |
| 30 | 100-FS665712 | | 1 | ENGINE COVER TOP W/RETAINER & PACKING |
| 31 | F1447 | | 2 | ROUND HD DRIVE SCREW, #2 X 3/16 |
| 32 | F8008 | | 3 | PLAIN WASHER |
| 33 | F521284 | | 2 | KNOB, ENGINE COVER RETAINER |
| 34 | FA521448 | | 1 | CLIP, THROTTLE STOP |
| 36 | F521984 | | 1 | ENGINE COVER PACKING |
| 38 | F521386-1 | | 1 | DECAL, NUMERAL |
| - | F521251-3 | | 1 | GAS CAP COMPLETE (NOT SHOWN) |

STARTER



STARTER

| REF. NO. | PART NO. | SYM. | QTY. | DESCRIPTION |
|----------|------------------|------|----------|-------------------------------|
| 2 | F15601 | | 1 | COVER |
| 3 | F15570 | | 1 | SPRING |
| 4 | F15591 | | 1 | ROTOR |
| 5 | F15600 | | 1 | STARTER ROPE |
| 6 | F521132 | | 1 | HANDLE, STARTER ROPE |
| 7 | 521817 | | 1 | RETAINER, STARTER ROPE HANDLE |
| 8 | F15596 | | 1 | SPRING |
| 9 | F15594 | | 2 | WASHER |
| 10 | F15602 | | 2 | NYLINER |
| 11 | F15595 | | 1 | FRICTION SHOE ASSEMBLY |
| 12 | F15597 | | 1 | SCREW |
| 13 | F521369 | | 1 | PIN, STARTER ROPE |
| - | F521063-2 | | 1 | STARTER COMPLETE |

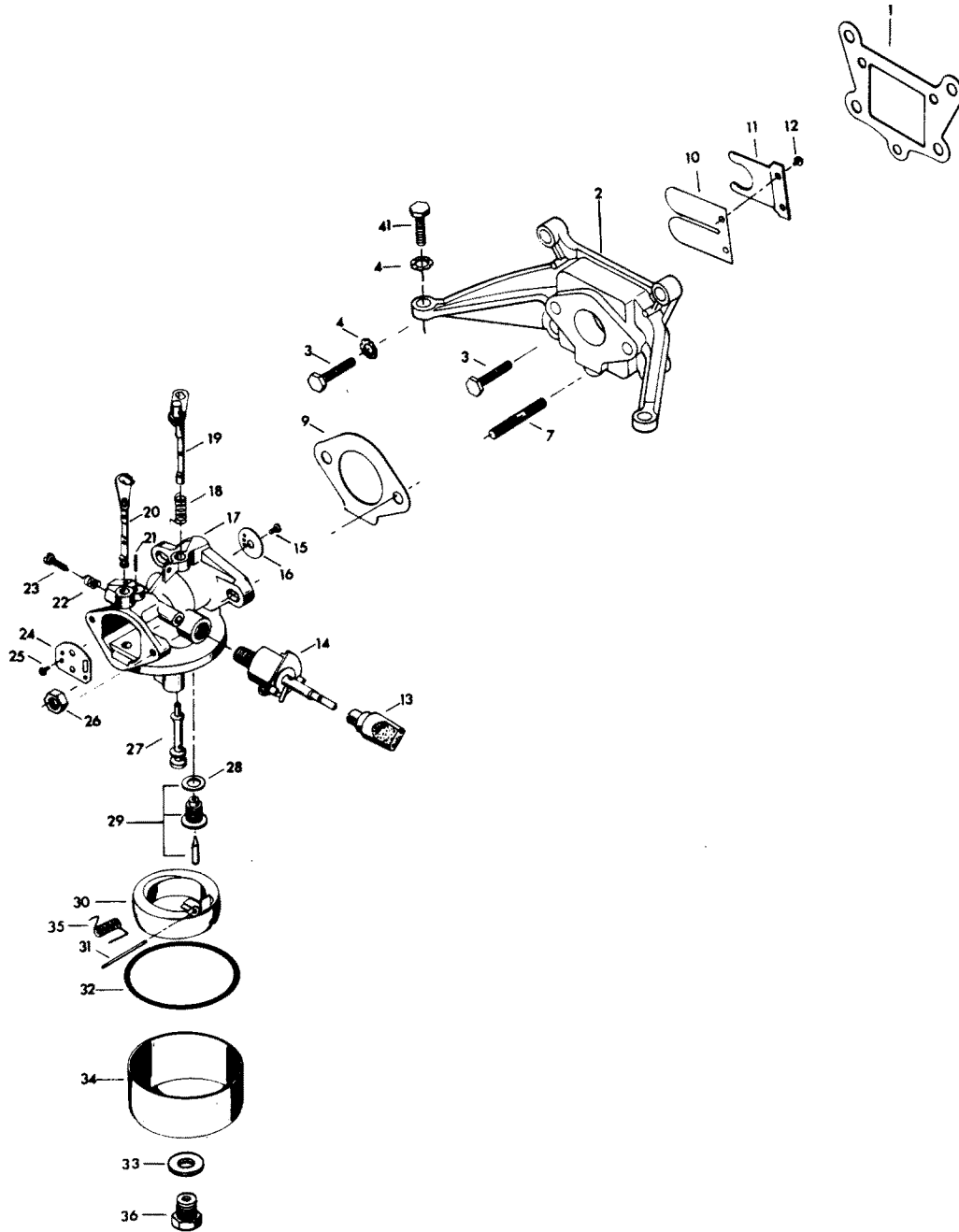
MAGNETO



MAGNETO

| REF. NO. | PART NO. | SYM. | QTY. | DESCRIPTION |
|----------|-----------|------|------|--|
| 1 | F521552 | | 1 | SCREW, FLYWHEEL |
| 2 | F521097-1 | | 1 | FLYWHEEL |
| 3 | F521498 | | 1 | KEY, FLYWHEEL |
| 4 | F521002 | | 1 | CAM |
| 5 | F12090 | | 2 | MOUNTING SCREW |
| 6 | F12357 | | 1 | CONDENSER W/CLAMP |
| 7 | F12359 | | 1 | CONTACT SET |
| 8 | F12360 | | 1 | FELT CAM |
| 9 | F12362 | | 1 | STATOR PLATE W/CORE |
| 10 | F12363 | | 1 | WEDGE SPRING |
| 11 | F12358 | | 1 | COIL W/LEAD WIRE AND WEDGE SPRING |
| 12 | FK750-2 | | 1 | SPARKIE KIT |
| 13 | F12361 | | 1 | LEAD WIRE AND GROMMET PACKAGE |
| 14 | F521549-2 | | 1 | THROTTLE LEVER |
| 15 | F1655 | | 1 | HEX HD SCREW W/SPRING LOCKWASHER, 1/4 - 20 X 3/8 |
| 16 | F521192 | | 1 | THROTTLE CAM |
| 17 | F521908 | | 1 | GROUND WIRE |
| 18 | F12066 | | 1 | FRICTION SCREW |
| 19 | F436449 | | 1 | SHORTING SWITCH |
| 20 | F1298 | | 1 | ROUND HD SCREW W/LOCKWASHER. |
| 21 | F1829 | | 4 | FILL HD SCREW, 10 - 24 X 7/8, FOR MODELS 47H8C, 47B8C |
| 22 | F1876 | | 2 | SPRING PIN FOR MODELS 47H8C, 47B8C |
| 23 | FA523095 | | 1 | STATOR, ALTERNATOR FOR MODELS 47H8C, 47B8C |
| 24 | F448874 | | 1 | PARALLEL SPLICE FOR MODELS 47H8C, 47B8C |
| 25 | F521843 | | 1 | CABLE LIGHTING COIL EXTENSION, FOR MODELS 47H8C, 47B8C |
| 26 | FA521841 | | 1 | CABLE, LIGHTING COIL, FOR MODELS 47H8C, 47B8C |
| 27 | F1734 | | 1 | SLOTTED FILL HD SCREW, 1/4 - 20 X 1/2 |

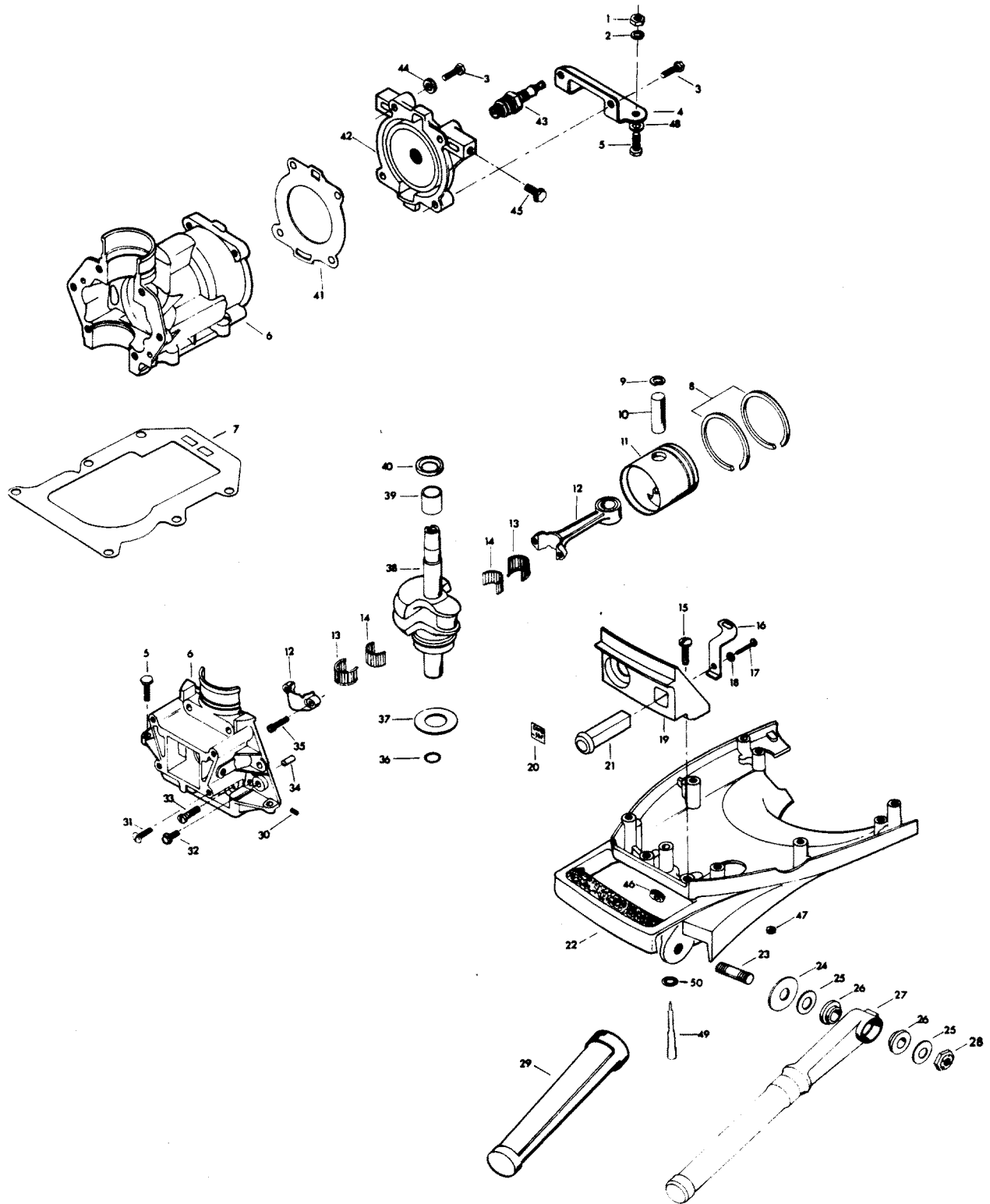
CARBURETOR AND REED PLATE



CARBURETOR AND REED PLATE

| REF. NO. | PART NO. | SYM. | QTY. | DESCRIPTION |
|----------|---------------|------|------|--|
| 1 | F521168 | | 1 | GASKET, CARBURETOR ADAPTER |
| 2 | FA332167 | | 1 | CARBURETOR ADAPTER W/STUDS |
| 3 | F1833 | | 4 | HEX CAP SCREW, 1/4 - 20 X 1 |
| 4 | F8060 | | 4 | INTERNAL TOOTH LOCKWASHER |
| 7 | F27209-1 | | 2 | STUD, CARBURETOR |
| 9 | F521906 | | 1 | GASKET, CARBURETOR |
| 10 | F31160-1 | | 1 | REED |
| 11 | F424161 | | 1 | REED STOP |
| 12 | F1755 | | 2 | ROUND ND SCREW W/LOCKWASHER, 6 - 32 X 5/16 |
| 13 | F521550 | | 1 | KNOB, FUEL SHUT-OFF |
| 14 | F521489 | | 1 | VALVE, FUEL SHUT-OFF |
| 15 | F10071 | | 1 | SCREW |
| 16 | F10060 | | 1 | THROTTLE VALVE |
| 17 | F521061-4 | | 1 | CARBURETOR COMPLETE |
| 18 | F10075 | | 1 | SPRING, THROTTLE RETURN |
| 19 | F10059 | | 1 | THROTTLE SHAFT |
| 20 | F10061 | | 1 | CHOKE SHAFT |
| 21 | F10072 | | 1 | SPRING, CHOKE STOP |
| 22 | F10073 | | 1 | SPRING, IDLE ADJUSTMENT NEEDLE |
| 23 | F10077 | | 1 | NEEDLE, IDLE |
| 24 | F10062 | | 1 | CHOKE VALVE |
| 25 | F10070 | | 2 | SCREW, CHOKE VALVE |
| 26 | F1490 | | 2 | HEX NUT, 1/4 - 20 |
| 27 | F10065 | | 1 | NOZZLE |
| 28 | F10066 | | 1 | GASKET, VALVE SEAT |
| 29 | F10092 | | 1 | VALVE, SEAT AND GASKET ASSEMBLY |
| 30 | F10063 | | 1 | FLOAT |
| 31 | F10064 | | 1 | FLOAT PIN |
| 32 | F10068 | | 1 | GASKET, FUEL BOWL |
| 33 | F10067 | | 2 | GASKET, BOWL RETAINER |
| 34 | F10058 | | 1 | FUEL BOWL |
| 35 | F10084 | | 1 | SPRING, FLOAT SUPPORT |
| 36 | F10093 | | 1 | NEEDLE ASSEMBLY |
| 41 | F2008 | | 2 | HEX CAP SCREW, 1/4 - 20 X 7/8 |
| - | F10098 | | 1 | REPAIR KIT INCLUDES ALL ITEMS MARKED WITH AN ASTERISK (*). |
| - | F10069 | | 1 | GASKET SET INCLUDES ALL ITEMS MARKED WITH A DOUBLE ASTERISK (**). |

POWER HEAD AND SUPPORT PLATE

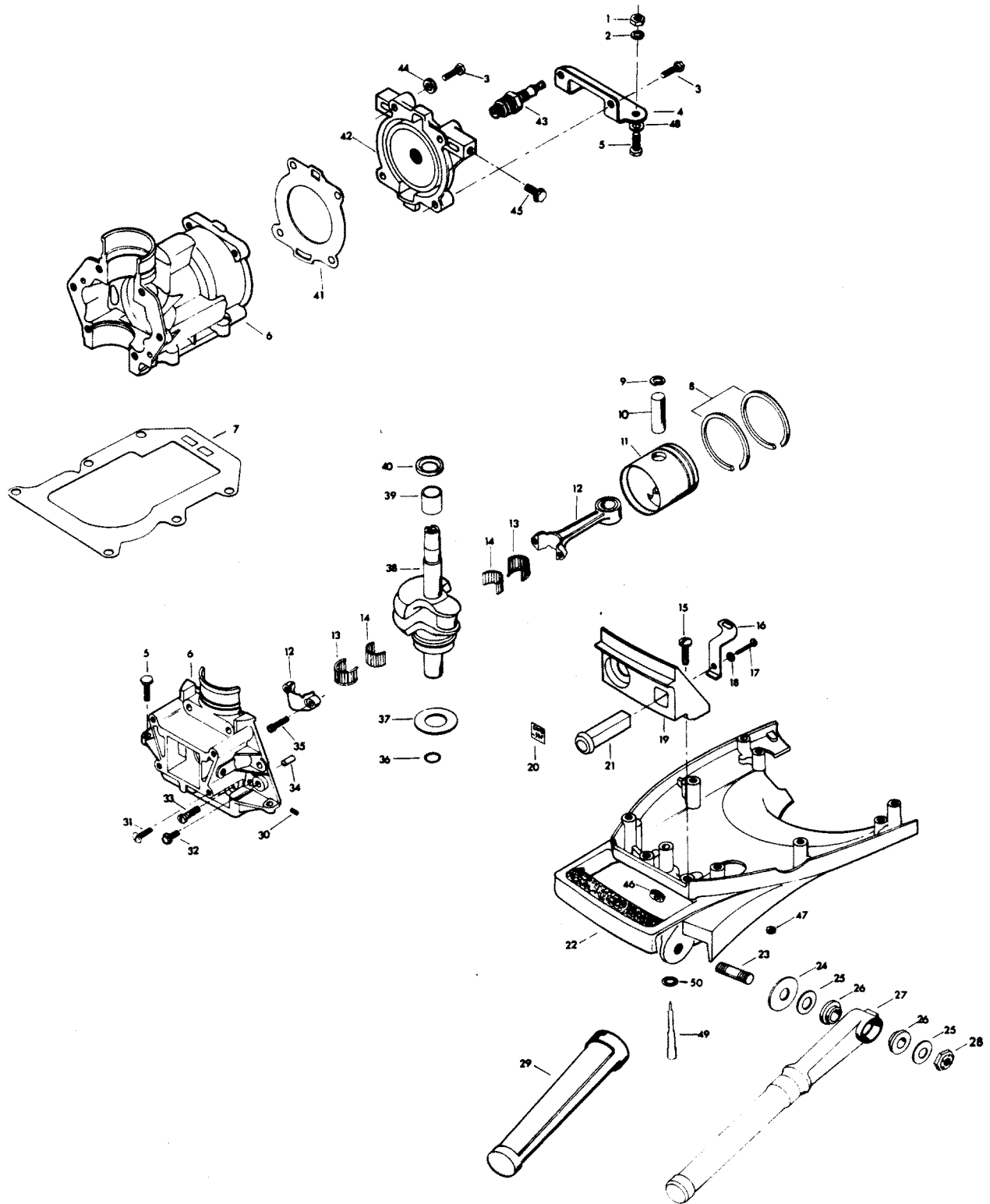


POWER HEAD AND SUPPORT PLATE

| REF. NO. | PART NO. | SYM. | QTY. | DESCRIPTION |
|----------|-----------------|------|----------|---|
| 1 | F1341 | | 2 | HEX NUT |
| 2 | F8083 | | 2 | SPRING LOCKWASHER |
| 3 | F901938-1 | | 4 | SCREW, CYLINDER HEAD |
| 4 | F521774 | | 1 | BRACKET, ENGINE COVER LOWER MOUNTING |
| 5 | F1705 | | 4 | HEX HD CAP SCREW, 1/4 - 20 X 3/4 |
| 6 | F2A521010 | | 1 | CYLINDER W/CRANKCASE COVER, DOWEL PINS AND SCREWS |
| 7 | F521279 | | 1 | GASKET, CYLINDER EXHAUST |
| 8 | 39-818038A1 | | 2 | PISTON RING SET |
| 9 | F250410 | | 2 | PISTON PIN RETAINING RING |
| 10 | F250017 | | 1 | PISTON PIN |
| 11 | F521015 | | 1 | PISTON |
| 12 | F2A521016 | | 1 | CONNECTING ROD W/SCREWS AND BEARING |
| 13 | F237241 | | 2 | CAGE, CRANKPIN ROLLER |
| 14 | FA237228 | | 1 | CRANKPIN ROLLER SET |
| 15 | F1493 | | 2 | PAN HD SCREW, 1/4 - 20 X 5/8 |
| 16 | F521925 | | 1 | LINK, CHOKE KNOB |
| 17 | F2041 | | 1 | HEX HD M. SCREW, 10 - 24 X 3/8 |
| 18 | F1975 | | 1 | SPRING LOCKWASHER |
| 19 | F521163 | | 1 | COVER, SUPPORT PLATE |
| 20 | F521248 | | 1 | DECAL, CHOKE (U.S.A.) |
| - | FC521248 | | 1 | DECAL, CHOKE (CANADA) |
| 21 | F521547 | | 1 | CHOKE KNOB |
| 22 | F332038 | | 1 | SUPPORT PLATE (42H8C, 42B8C) |
| - | F271038 | | 1 | SUPPORT PLATE (47H8C, 47B8C) |
| 23 | F521004 | | 1 | STUD |
| 24 | F286286-1 | | 1 | WASHER, NYLON |
| 25 | F8015 | | 2 | PLAIN WASHER |
| 26 | F521319 | | 2 | BUSHING, STEERING HANDLE |
| 27 | F521079 | | 1 | STEERING HANDLE |
| 28 | F1756 | | 1 | STOP NUT |
| 29 | F390137 | | 1 | GRIP, STEERING HANDLE |
| 30 | F1789 | | 1 | PIPE PLUG |
| 31 | F1107 | | 2 | FILL HD M. SCREW, 1/4 - 20 X 3/4 |
| 32 | F2040 | | 1 | HEX WASHER HD TAPTITE SCREW, 1/4 - 20 X 5/8 |
| 33 | F1099 | | 4 | SLOTTED FILL HD SCREW, 1/4 - 20 X 1 1/4 |
| 34 | F8559 | | 2 | DOWEL PIN |
| 35 | F36634 | | 2 | SCREW, CONNECTING ROD |
| 36 | F521579 | | 1 | SEAL, CRANKSHAFT SPLINE |
| 37 | F521118-1 | | 1 | SEAL, CRANKSHAFT LOWER |
| 38 | F2A521018 | | 1 | CRANKSHAFT W/SLINGER AND LOWER BEARING |
| 39 | F521013 | | 1 | BEARING, CRANKSHAFT UPPER |
| 40 | F521146 | | 1 | SEAL, CRANKSHAFT UPPER |

CONTINUED ON NEXT PAGE ➡

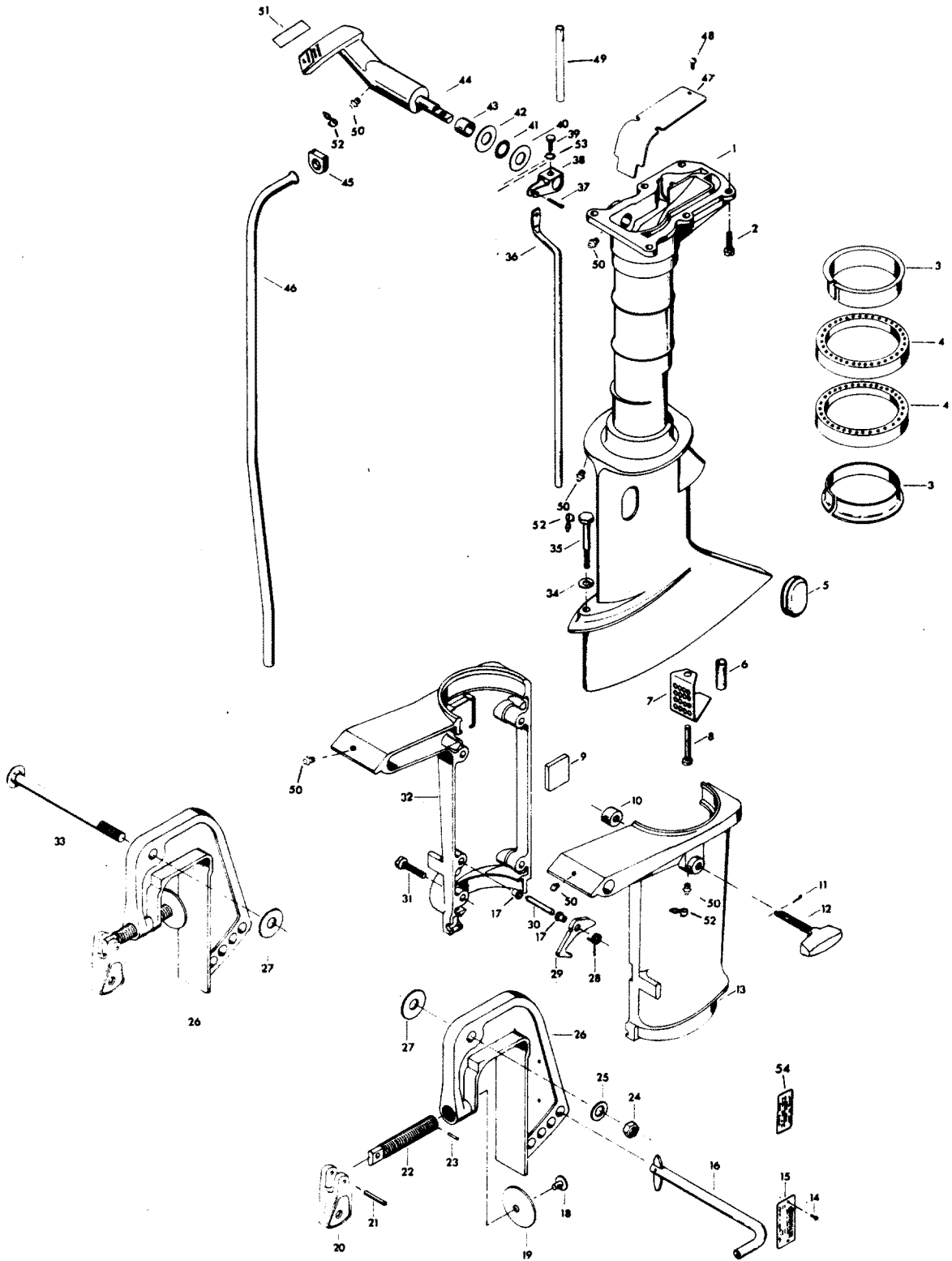
POWER HEAD AND SUPPORT PLATE



POWER HEAD AND SUPPORT PLATE

| REF. NO. | PART NO. | SYM. | QTY. | DESCRIPTION |
|----------|-----------------|------|----------|--|
| 41 | F521529 | | 1 | GASKET, CYLINDER HEAD |
| 42 | F521518 | | 1 | CYLINDER HEAD |
| 43 | FS521227 | | 1 | SPARK PLUG (L-7-J) |
| - | C247227 | | 1 | SPARK PLUG (FOR MODELS 42H8C, 47H8C) - RL-7-J |
| 44 | F8028 | | 2 | PLAIN WASHER |
| 45 | F1426 | | 2 | HEX HD SCREW W/LOCKWASHER, 1/4 - 20 X 7/16 |
| 46 | F84991-1 | | 1 | GROMMET FOR MODELS 47H8C, 47B8C |
| 47 | F53991-2 | | 1 | GROMMET, SHEAR PIN |
| 48 | F8008 | | 2 | PLAIN WASHER |
| 49 | F341284-1 | | 1 | KNOB, ENGINE COVER RETAINER |
| 50 | F9102 | | 1 | RETAINING RING |
| - | FC521010 | | 1 | SHORT BLOCK (NOT SHOWN) INCLUDES ALL ITEMS MARKED WITH AN ASTERISK (*). |
| - | FG1015 | | 1 | GASKET SET (SEE BELOW) |
| - | F521159 | | 2 | REED PLATE |
| - | F521168 | | 1 | CARBURETOR ADAPTER |
| - | F521279 | | 1 | CYLINDER EXHAUST |
| - | F521529 | | 1 | CYLINDER HEAD |
| - | F521906 | | 1 | CARBURETOR |

MOTOR LEG

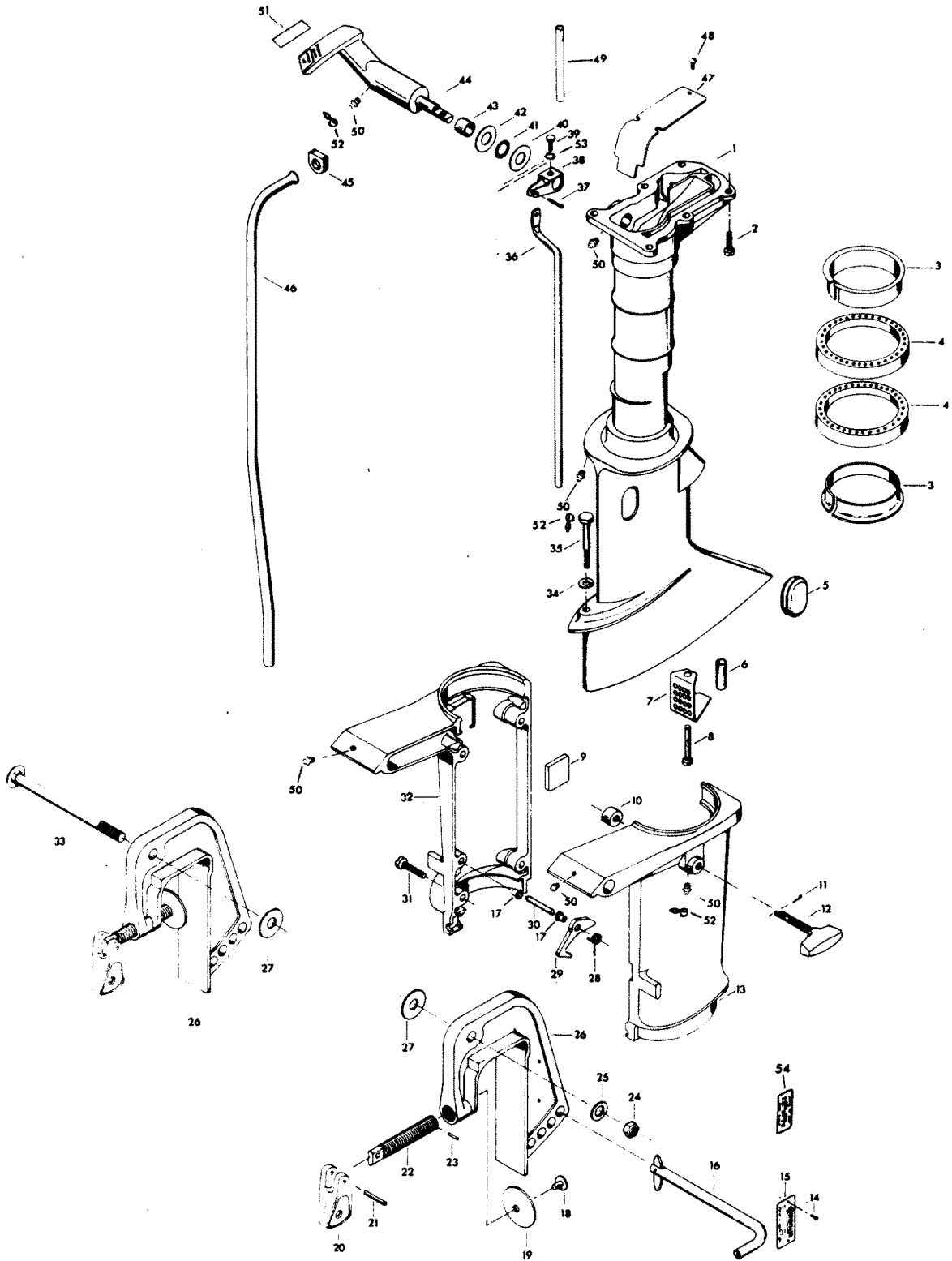


MOTOR LEG

| REF. NO. | PART NO. | SYM. | QTY. | DESCRIPTION |
|----------|------------------|------|----------|--|
| 1 | 1500-817940A6 | | 1 | MOTOR LEG W/ITEMS 47, 48, 43, 49 AND 50 ORIGINAL FORCE P/N K341133-2 |
| 2 | F1922 | | 6 | HEX HD SCREW, 1/4 - 20 X 5/8 |
| 3 | F468169 | | 2 | BEARING, SWIVEL BRACKET |
| 4 | F468346 | | 2 | SHOCK MOUNT |
| 5 | F46899-1 | | 1 | COVER, SHIFT COUPLING |
| 6 | F521727 | | 1 | SLEEVE, IDLE BAFFLE |
| 7 | F521779 | | 1 | BAFFLE, IDLE RELIEF |
| 8 | F1747 | | 1 | FILL HD SCREW, 10 - 24 X 1 11/16 |
| 9 | F521661-1 | | 1 | PAD, SWIVEL FRICTION |
| 10 | F521631 | | 1 | SHOE, SWIVEL FRICTION |
| 11 | F1014 | | 1 | COTTER PIN |
| 12 | F521514 | | 1 | KNOB, STEERING FRICTION W/SCREWS |
| 13 | 817815A4 | | 1 | SWIVEL BRACKET - PORT |
| 14 | F1293 | | 2 | DRIVE SCREW, 2 X 3/16 |
| 15 | FA77395-5 | | 0 | PLATE, IDENTIFICATION W/SCREWS - USA |
| - | AC16395-8 | | 0 | PLATE, IDENTIFICATION W/SCREWS - CANADA |
| 16 | 817810A1 | | 1 | LOCK BAR |
| 17 | F197813 | | 2 | BEARING |
| 18 | F66480 | | 2 | STUD |
| 19 | F24074 | | 2 | CLAMP SCREW FOOT |
| 20 | F298075 | | 2 | HANDLE, CLAMP SCREW |
| 21 | F8554 | | 2 | SPRING PIN |
| 22 | 817761A2 | | 2 | CLAMP SCREW W/FOOT AND STUD |
| 23 | F8537 | | 2 | SPRING PIN |
| 24 | F7005 | | 1 | STOP NUT |
| 25 | F8039 | | 1 | PLAIN WASHER |
| 26 | 1400-817850A4 | | 2 | STERN BRACKET W/CLAMP SCREW & FOOT |
| 27 | F2037 | | 2 | PLAIN WASHER |
| 28 | F468300 | | 1 | SPRING, REVERSE LOCK |
| 29 | F468349 | | 1 | REVERSE LOCK |
| 30 | F468350 | | 1 | PIN, REVERSE LOCK |
| 31 | F2035 | | 4 | PHILLIPS FILL HD SCREW, 1/4 - 20 X 1 |
| 32 | 817816A6 | | 1 | SWIVEL BRACKET - STARBOARD |
| 33 | F468037-1 | | 1 | PIVOT BOLT |
| 34 | F8083 | | 1 | SPRING LOCKWASHER |
| 35 | F1175 | | 1 | HEX CAP SCREW, 1/4 - 20 X 1 7/8 FOR MODELS 42H8C, 42B8C |
| 36 | F521615 | | 1 | ROD, GEAR SHIFT UPPER |
| 37 | F1406 | | 1 | COTTER PIN |
| 38 | F521621 | | 1 | LEVER, GEAR SHIFT |
| 39 | F2041 | | 1 | HEX M. SCREW, 10 - 24 X 3/8 |
| 40 | F2014 | | 1 | PLAIN WASHER |
| 41 | F19342 | | 1 | SEAL, SHIFT LEVER SHAFT |

CONTINUED ON NEXT PAGE ➡

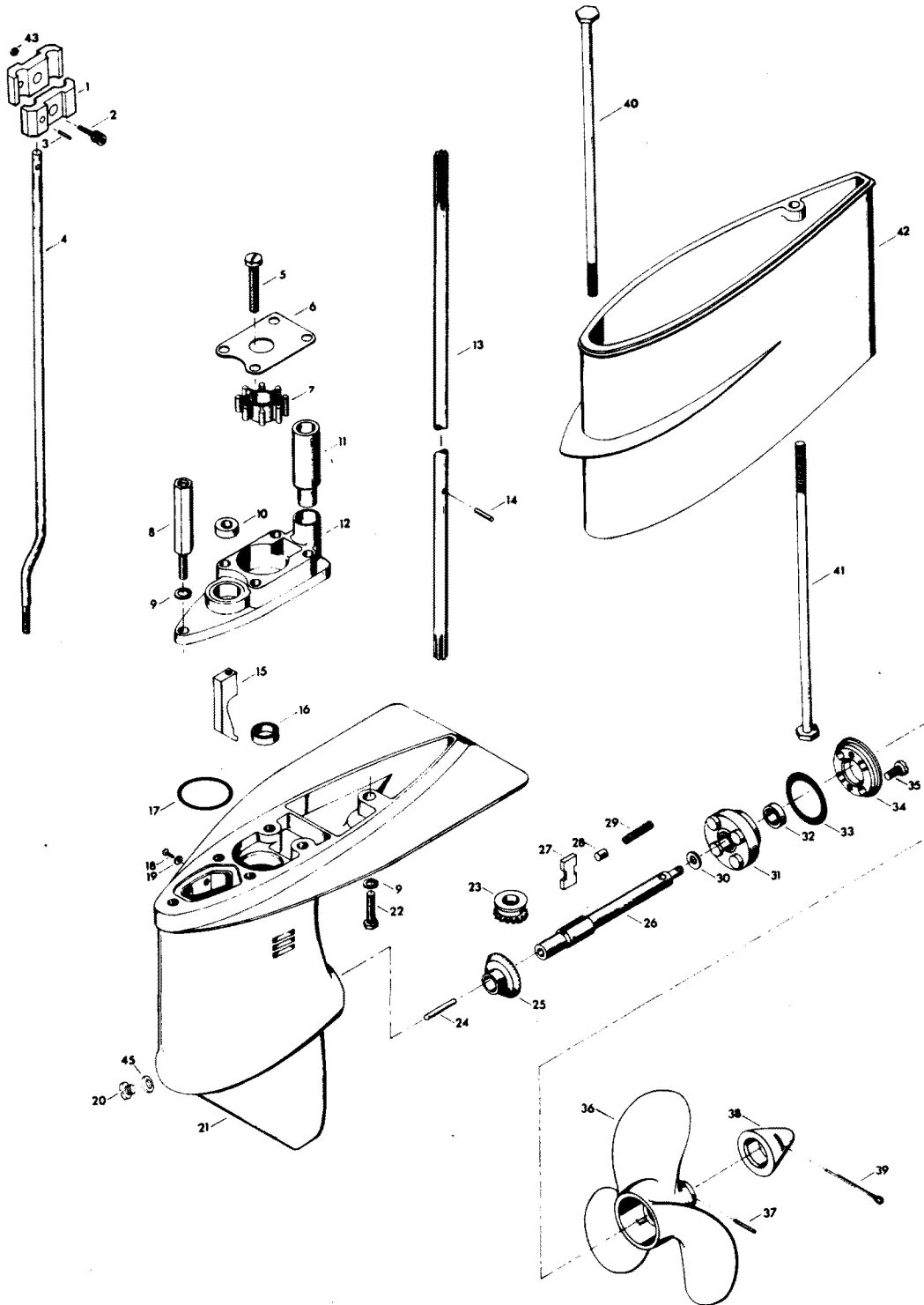
MOTOR LEG



MOTOR LEG

| REF. NO. | PART NO. | SYM. | QTY. | DESCRIPTION |
|----------|----------------|------|----------|-----------------------------------|
| 42 | F521415 | | 1 | WASHER, GEAR SHIFT HANDLE |
| 43 | F341610 | | 1 | BEARING, GEAR SHIFT SHAFT |
| 44 | 820433T | | 1 | HANDLE, GEAR SHIFT W/SHAFT |
| 45 | F521342-1 | | 1 | SEAL, WATER LINE |
| 46 | F521244 | | 1 | WATER LINE (42H8C, 42B8C) |
| - | F341244 | | 1 | WATER LINE (47H8C, 47B8C) |
| 47 | FA341151 | | 1 | PLATE, EXHAUST |
| 48 | F1645 | | 3 | RD HD THD. CUTTING, 6 - 32 X 1/4 |
| 49 | F521261 | | 1 | LINE, WATER OUTLET |
| 50 | F213274 | | 6 | FITTING, GREASE |
| 51 | FC521400 | | 1 | DECAL, GEAR SHIFT HANDLE (CANADA) |
| 52 | F521569 | | 3 | CAP, GREASE FITTING |
| 53 | F1975 | | 1 | LOCKWASHER, #10 |
| 54 | F235785 | | 1 | DECAL, COMPLIANCE (CANADA) |

GEAR HOUSING

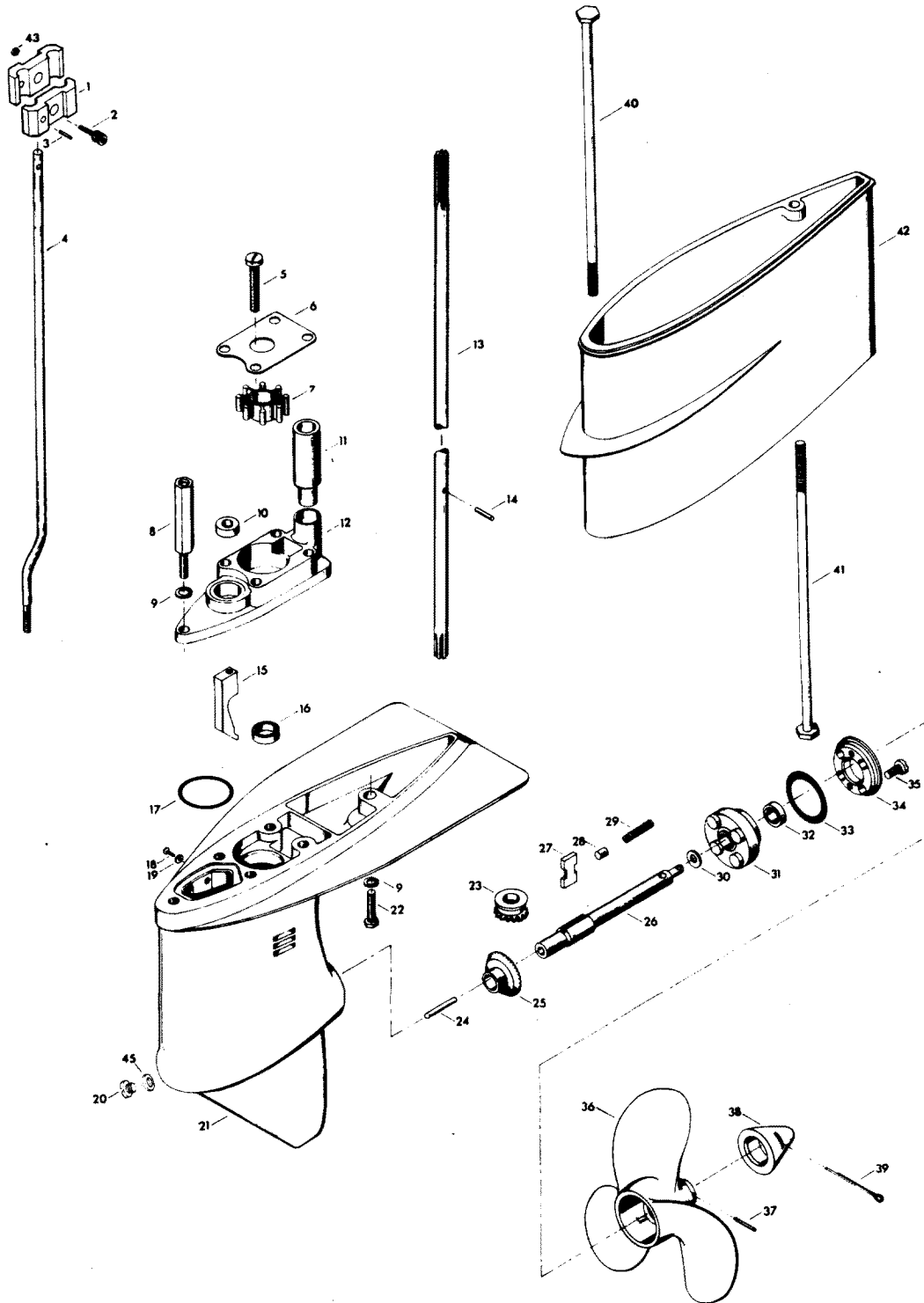


GEAR HOUSING

| REF. NO. | PART NO. | SYM. | QTY. | DESCRIPTION |
|----------|----------------|------|----------|---|
| 1 | F341704 | | 2 | COUPLING, GEAR SHIFT ROD |
| 2 | F1371 | | 1 | SOCKET HD SCREW W/LOCKWASHER, 10 - 24 X 5/8 |
| 3 | F8538 | | 1 | SPRING PIN |
| 4 | F521705 | | 1 | ROD, GEAR SHIFT LOWER (42H8C, 42B8C) |
| - | F332705 | | 1 | GEAR SHIFT ROD LOWER, FOR MODELS (47H8C, 47B8C) |
| 5 | F1504 | | 4 | FILL HD SCREW, 1/4 - 20 X 1 1/4 |
| 6 | F521537 | | 1 | PLATE, WATER PUMP |
| 7 | F521065 | | 1 | IMPELLER |
| 8 | F521006 | | 1 | STUD |
| 9 | F8083 | | 2 | SPRING LOCKWASHER |
| 10 | F338618-1 | | 1 | SEAL, SHIFT ROD |
| 11 | FA521735 | | 1 | SEAL, WATERLINE |
| 12 | FA735060 | | 1 | WATER PUMP BODY |
| 13 | F521128 | | 1 | DRIVESHAFT |
| - | F341128 | | 1 | DRIVESHAFT FOR MODELS 47H8C, 47B8C |
| 14 | F390563 | | 1 | PIN, WATER PUMP IMPELLER DRIVE |
| 15 | F521721 | | 1 | CAM, CLUTCH SHIFT |
| 16 | F318307 | | 1 | SEAL, DRIVESHAFT |
| 17 | F521783 | | 1 | SEAL |
| 18 | F1077 | | 1 | FILL HD SCREW, 10 - 24 X 1/4 |
| 19 | F8074 | | 1 | WASHER |
| 20 | F50109 | | 1 | PLUG, GEAR HOUSING |
| 21 | F2A521054 | | 1 | GEAR HOUSING VENT SCREW, WASHER, DRIVE SHAFT BEARING & SEAL W/PLUG |
| 22 | F1199 | | 1 | HEX CAP SCREW, 1/4 - 20 X 1, FOR MODELS (42H8C, 42B8C) |
| 23 | F521266 | | 1 | BEVEL PINION GEAR |
| 24 | F521728 | | 1 | CLUTCH SHIFT PIN |
| 25 | FA521023 | | 1 | BEVEL GEAR W/BEARING |
| 26 | F459098 | | 1 | PROPELLER SHAFT (47H8C) |
| - | F409098 | | 1 | PROPELLER SHAFT (42H8C) |
| 27 | F409521 | | 1 | CLUTCH |
| 28 | F318372 | | 1 | PIN, CLUTCH GUIDE |
| 29 | F409719 | | 1 | CLUTCH SPRING |
| 30 | F521099 | | 1 | SPACER |
| 31 | FA521298 | | 1 | BEARING CAGE W/BEARING AND SEAL |
| 32 | F521307 | | 1 | SEAL, PROPELLER SHAFT |
| 33 | F521305 | | 1 | SEAL, "O" RING |
| 34 | F521296 | | 1 | RETAINER, PROPELLER SHAFT BEARING CAGE |
| 35 | F525457 | | 4 | FILL HD SCREW, 1/4 - 20 X 5/8 |
| 36 | FP521 | | 1 | PROPELLER (47H8C, 47B8C) |
| - | FP332 | | 1 | PROPELLER (42H8C, 42B8C) |
| 37 | FA459101 | | 1 | PROPELLER PIN, PACK OF 3 |
| 38 | 11-817752A1 | | 1 | PROPELLER NUT W/COTTER PIN |

CONTINUED ON NEXT PAGE ➡

GEAR HOUSING



GEAR HOUSING

| REF. NO. | PART NO. | SYM. | QTY. | DESCRIPTION |
|-------------|-----------------|------|------|---|
| 39 | F1846 | | 1 | COTTER PIN |
| 40 | F1808 | | 1 | HEX CAP SCREW, 1/4 - 20 X 7, FOR MODELS 47H8C, 47B8C |
| 41 | F1825 | | 1 | HEX CAP SCREW, 1/4 - 20 X 6, FOR MODELS 47H8C, 47B8C |
| 42 | F521845 | | 1 | EXTENSION, MOTOR - FOR MODELS 47H8C, 47B8C |
| 43 | F7009 | | 1 | LOCK NUT, 10 - 24 |
| 44 | F8077 | | 1 | WASHER |
| - | FC521054 | | 1 | GEAR HOUSING COMPLETE (NOT SHOWN) (47H8C) (INCLUDES ALL ITEMS MARKED WITH AN ASTERISK (*), W/459098 PROP SHAFT |
| - | FC341054 | | 1 | GEAR HOUSING COMPLETE (NOT SHOWN) (42H8C) (INCLUDES ALL ITEMS MARKED WITH AN ASTERISK (*), W/409098 PROP SHAFT |

ACCESSORIES

| REF. NO. | PART NO. | SYM. | QTY. | DESCRIPTION |
|----------|----------|------|------|---|
| - | F5H089 | | 0 | A-C LIGHTING COIL KIT PROVIDES 12 VOLT, 60 WATT OUTPUT FOR OUTBOARD RUNNING LIGHTS. |
| - | F5H091 | | 0 | BATTERY CHARGING SYSTEM USED IN CONJUNCTION WITH 5H089 LIGHTING COIL KIT OR 47H8C, 47B8C MODEL ENGINES. |
| - | 5H092 | | 0 | FUEL PUMP KIT ADAPTS ENGINE TO USE WITH REMOTE FUEL TANK. |
| - | F5H027 | | 0 | 6 GALLON FUEL TANK USED IN CONJUNCTION WITH 5H092 FUEL PUMP KIT TO PERMIT EXTENDED CRUISING RANGE. |
| - | 760 | | 0 | 4 1/4 GALLON FUEL TANK USED IN CONJUNCTION WITH 5H092 FUEL PUMP KIT TO PERMIT EXTENDED CRUISING RANGE. |
| - | F5H093 | | 0 | LEG EXTENSION KIT CONVERTS 15 INCH STANDARD SHAFT MODEL TO 20 INCH LONG SHAFT MODEL. |

SPECIFICATIONS

| REF. NO. | PART NO. | SYM. | QTY. | DESCRIPTION |
|-------------|----------|------|------|---|
| - | | | 0 | HORSEPOWER 4 B.I.A. CERTIFIED BRAKE H.P. AT 5500 R.P.M. |
| - | | | 0 | ENGINE TWO-CYCLE, SINGLE CYLINDER. |
| - | | | 0 | BORE AND STROKE 2.0" BORE X 1 9/16" STROKE. |
| - | | | 0 | PISTON DISPLACEMENT 5.00 CUBIC INCHES. |
| - | | | 0 | FUEL SYSTEM FLOAT FEED CARBURETOR. |
| - | | | 0 | CONNECTING ROD ALLOY STEEL FORGING. |
| - | | | 0 | CRANKSHAFT STEEL FORGING - MOLDED NODULAR IRON, GROUND FINISH. |
| - | | | 0 | FUEL TANK STEEL TANK, CAPACITY 4 U.S. PINTS OR 2 LITERS. |
| - | | | 0 | PROPELLER SHAFT AND DRIVESHAFT STAINLESS STEEL, HARDENED GROUND AND POLISHED. |
| - | | | 0 | PROPELLER ALUMINUM, DIAMETER 7 1/4", PITCH 5 1/2" LEFT HAND ROTATION. |
| - | | | 0 | COOLING SYSTEM WATER COOLED -- POSITIVE DISPLACEMENT TYPE WATER PUMP. |
| - | | | 0 | TRANSOM HEIGHT 15" |
| - | | | 0 | WEIGHT 38 POUNDS |

LUBRICATION CHART

| REF. NO. | PART NO. | SYM. | QTY. | DESCRIPTION |
|----------|----------|------|------|--|
| - | | | 0 | CLAMP SCREWS SAE 30 MOTOR OIL, TWICE EACH SEASON |
| - | | | 0 | SWIVEL BRACKET BEARING GRAPHITE GREASE, TWICE EACH SEASON |
| - | | | 0 | CONTACT SURFACE BETWN MAGNETO STATOR PLATE & UPR BEARNG CAGE EP - ALL PURPOSE CHASSIS LUBRICANT, IF MAGNETO CONTROL LEVER BECOMES HARD TO MOVE |
| - | | | 0 | GEAR HOUSING CHRYSLER OUTBOARD GEAR LUBE, EVERY 30 HOURS, OFTENER IF REQUIRED |
| - | | | 0 | PROPELLER SHAFT ANTI-SEIZE (SPECIAL TOOL T2987 - 1), TWICE EACH SEASON |
| - | | | 0 | GREASE FITTINGS HIGH TEMPERATURE GREASE, TWICE EACH SEASON |

SPECIAL ADJUSTMENTS

| REF. NO. | PART NO. | SYM. | QTY. | DESCRIPTION |
|----------|----------|------|------|--|
| - | | | 0 | STEERING TENSION IF MOTOR STEERS TOO HARD, LOOSEN THE STEERING FRICTION SCREW, ILLUSTRATION 12, PAGE 11. IF MOTOR TURNS TOO EASILY, TIGHTEN THE SCREW. |
| - | | | 0 | MAGNETO BREAKER POINT GAP SPACING .020". |
| - | | | 0 | SPARK PLUG CHAMPION L-7-J FOR MODELS 42H8C AND 47H8C |
| - | | | 0 | SPARK PLUG |

PARTS INDEX

| Part Number | Description | Pg. | Ref. No. | Part Number | Description | Pg. | Ref. No. |
|-------------|---|-----|----------|-------------|--|-----|----------|
| 341944 | ENGINE COVER, BOTTOM | 3 | 11 | F12357 | CONDENSER W/CLAMP | 7 | 6 |
| 521817 | RETAINER, STARTER ROPE HANDLE | 5 | 7 | F12358 | COIL W/LEAD WIRE AND WEDGE SPRING | 7 | 11 |
| 527528 | DECAL, TRIM REAR | 3 | 2 | F12359 | CONTACT SET | 7 | 7 |
| 5H092 | FUEL PUMP KIT | 22 | - | F12360 | FELT CAM | 7 | 8 |
| 760 | 4 1/4 GALLON FUEL TANK | 22 | - | F12361 | LEAD WIRE AND GROMMET PACKAGE | 7 | 13 |
| 817761A2 | CLAMP SCREW W/FOOT AND STUD | 15 | 22 | F12362 | STATOR PLATE W/CORE | 7 | 9 |
| 817810A1 | LOCK BAR | 15 | 16 | F12363 | WEDGE SPRING | 7 | 10 |
| 817815A4 | SWIVEL BRACKET - PORT | 15 | 13 | F1293 | DRIVE SCREW, 2 X 3/16 | 15 | 14 |
| 817816A6 | SWIVEL BRACKET - STARBOARD | 15 | 32 | F1298 | ROUND HD SCREW W/LOCKWASHER. | 7 | 20 |
| 820433T | HANDLE, GEAR SHIFT W/SHAFT | 17 | 44 | F1341 | HEX NUT | 11 | 1 |
| AC16395-8 | PLATE, IDENTIFICATION W/SCREWS - CANADA | 15 | - | F1371 | SOCKET HD SCREW W/LOCKWASHER, 10 - 24 X 5/8 | 19 | 2 |
| C247227 | SPARK PLUG (FOR MODELS 42H8C, 47H8C) - RL-7-J | 13 | - | F1406 | COTTER PIN | 15 | 37 |
| F10058 | FUEL BOWL | 9 | 34 | F1426 | HEX HD SCREW W/LOCKWASHER, 1/4 - 20 X 7/16 | 13 | 45 |
| F10059 | THROTTLE SHAFT | 9 | 19 | F1447 | ROUND HD DRIVE SCREW, #2 X 3/16 | 3 | 31 |
| F10060 | THROTTLE VALVE | 9 | 16 | F1490 | HEX NUT, 1/4 - 20 | 9 | 26 |
| F10061 | CHOKE SHAFT | 9 | 20 | F1493 | PAN HD SCREW, 1/4 - 20 X 5/8 | 11 | 15 |
| F10062 | CHOKE VALVE | 9 | 24 | F1504 | FILL HD SCREW, 1/4 - 20 X 1 1/4 | 19 | 5 |
| F10063 | FLOAT | 9 | 30 | F15570 | SPRING | 5 | 3 |
| F10064 | FLOAT PIN | 9 | 31 | F15591 | ROTOR | 5 | 4 |
| F10065 | NOZZLE | 9 | 27 | F15594 | WASHER | 5 | 9 |
| F10066 | GASKET, VALVE SEAT | 9 | 28 | F15595 | FRICTION SHOE ASSEMBLY | 5 | 11 |
| F10067 | GASKET, BOWL RETAINER | 9 | 33 | F15596 | SPRING | 5 | 8 |
| F10068 | GASKET, FUEL BOWL | 9 | 32 | F15597 | SCREW | 5 | 12 |
| F10069 | GASKET SET | 9 | - | F15600 | STARTER ROPE | 5 | 5 |
| F10070 | SCREW, CHOKE VALVE | 9 | 25 | F15601 | COVER | 5 | 2 |
| F10071 | SCREW | 9 | 15 | F15602 | NYLINER | 5 | 10 |
| F10072 | SPRING, CHOKE STOP | 9 | 21 | F1645 | RD HD THD. CUTTING, 6 - 32 X 1/4 | 17 | 48 |
| F10073 | SPRING, IDLE ADJUSTMENT NEEDLE | 9 | 22 | F1655 | HEX HD SCREW W/SPRING LOCKWASHER, 1/4 - 20 X 3/8 | 7 | 15 |
| F10075 | SPRING, THROTTLE RETURN | 9 | 18 | F1705 | HEX HD CAP SCREW, 1/4 - 20 X 3/4 | 11 | 5 |
| F10077 | NEEDLE, IDLE | 9 | 23 | F1734 | SLOTTED FILL HD SCREW, 1/4 - 20 X 1/2 | 7 | 27 |
| F10084 | SPRING, FLOAT SUPPORT | 9 | 35 | F1747 | FILL HD SCREW, 10 - 24 X 1 11/16 | 15 | 8 |
| F10092 | VALVE, SEAT AND GASKET ASSEMBLY | 9 | 29 | F1755 | ROUND ND SCREW W/LOCKWASHER, 6 - 32 X 5/16 | 9 | 12 |
| F10093 | NEEDLE ASSEMBLY | 9 | 36 | F1756 | STOP NUT | 11 | 28 |
| F10098 | REPAIR KIT | 9 | - | F1789 | PIPE PLUG | 11 | 30 |
| F1014 | COTTER PIN | 15 | 11 | F17935 | GASKET, "O" RING | 3 | 5 |
| F1035 | SLOTTED FILL HD SCREW, 1/4 - 20 X 5/8 | 3 | 15 | F17936 | FUEL CAP | 3 | 6 |
| F1077 | FILL HD SCREW, 10 - 24 X 1/4 | 19 | 18 | F17938 | ANCHOR | 3 | 10 |
| F1099 | SLOTTED FILL HD SCREW, 1/4 - 20 X 1 1/4 | 11 | 33 | F17940 | VENT CAP | 3 | 3 |
| F1107 | FILL HD M. SCREW, 1/4 - 20 X 3/4 | 11 | 31 | F17941 | NUT, VENT SCREW | 3 | 7 |
| F1175 | HEX CAP SCREW, 1/4 - 20 X 1 7/8 FOR MODELS 42H8C, 42B8C | 15 | 35 | F17942 | CAP, TENSION SPRING | 3 | 4 |
| F1199 | HEX CAP SCREW, 1/4 - 20 X 1, FOR MODELS (42H8C, 42B8C) | 19 | 22 | F17943-1 | FUEL CAP GASKET | 3 | 8 |
| F12066 | FRICTION SCREW | 7 | 18 | | | | |
| F12090 | MOUNTING SCREW | 7 | 5 | | | | |

PARTS INDEX

| Part Number | Description | Pg. | Ref. No. | Part Number | Description | Pg. | Ref. No. |
|-------------|---|-----|----------|-------------|---|-----|----------|
| F1825 | HEX CAP SCREW, 1/4 - 20 X 6, FOR MODELS 47H8C, 47B8C | 21 | 41 | F31160-1 | REED | 9 | 10 |
| F1829 | FILL HD M. SCREW, 10 - 24 X 7/8 | 3 | 14 | F318307 | SEAL, DRIVESHAFT | 19 | 16 |
| F1829 | FILL HD SCREW, 10 - 24 X 7/8, FOR MODELS 47H8C, 47B8C | 7 | 21 | F318372 | PIN, CLUTCH GUIDE | 19 | 28 |
| F1833 | HEX CAP SCREW, 1/4 - 20 X 1 | 9 | 3 | F332038 | SUPPORT PLATE (42H8C, 42B8C) | 11 | 22 |
| F1846 | COTTER PIN | 21 | 39 | F332705 | GEAR SHIFT ROD LOWER, FOR MODELS (47H8C, 47B8C) | 19 | - |
| F1876 | SPRING PIN FOR MODELS 47H8C, 47B8C | 7 | 22 | F338618-1 | SEAL, SHIFT ROD | 19 | 10 |
| F1896 | HEX NUT | 3 | 22 | F341128 | DRIVESHAFT FOR MODELS 47H8C, 47B8C | 19 | - |
| F1922 | HEX HD SCREW, 1/4 - 20 X 5/8 | 15 | 2 | F341244 | WATER LINE (47H8C, 47B8C) | 17 | - |
| F19342 | SEAL, SHIFT LEVER SHAFT | 15 | 41 | F341284-1 | KNOB, ENGINE COVER RETAINER | 13 | 49 |
| F1975 | LOCKWASHER, #10 | 17 | 53 | F341610 | BEARING, GEAR SHIFT SHAFT | 17 | 43 |
| F1975 | SPRING LOCKWASHER | 11 | 18 | F341704 | COUPLING, GEAR SHIFT ROD | 19 | 1 |
| F197813 | BEARING | 15 | 17 | F36634 | SCREW, CONNECTING ROD | 11 | 35 |
| F1979 | PAN HD SCREW, 10 - 24 X 1/2 | 3 | 29 | F390137 | GRIP, STEERING HANDLE | 11 | 29 |
| F1995 | SLOTTED FILL HD SCREW, 10 - 24 X 1 | 3 | 12 | F390563 | PIN, WATER PUMP IMPELLER DRIVE | 19 | 14 |
| F2008 | HEX CAP SCREW, 1/4 - 20 X 7/8 | 9 | 41 | F409098 | PROPELLER SHAFT (42H8C) | 19 | - |
| F2014 | PLAIN WASHER | 15 | 40 | F409521 | CLUTCH | 19 | 27 |
| F2035 | PHILLIPS FILL HD SCREW, 1/4 - 20 X 1 | 15 | 31 | F409719 | CLUTCH SPRING | 19 | 29 |
| F2037 | PLAIN WASHER | 15 | 27 | F424161 | REED STOP | 9 | 11 |
| F2040 | HEX WASHER HD TAPTITE SCREW, 1/4 - 20 X 5/8 | 11 | 32 | F427249 | RETAINING RING | 3 | 9 |
| F2041 | HEX HD M. SCREW, 10 - 24 X 3/8 | 11 | 17 | F436449 | SHORTING SWITCH | 7 | 19 |
| F2041 | HEX M. SCREW, 10 - 24 X 3/8 | 15 | 39 | F448874 | PARALLEL SPLICE FOR MODELS 47H8C, 47B8C | 7 | 24 |
| F213274 | FITTING, GREASE | 17 | 50 | F459098 | PROPELLER SHAFT (47H8C) | 19 | 26 |
| F235785 | DECAL, COMPLIANCE (CANADA) | 17 | 54 | F459186 | COLLAR, FUEL TANK | 3 | 1 |
| F237241 | CAGE, CRANKPIN ROLLER | 11 | 13 | F468037-1 | PIVOT BOLT | 15 | 33 |
| F24074 | CLAMP SCREW FOOT | 15 | 19 | F468169 | BEARING, SWIVEL BRACKET | 15 | 3 |
| F250017 | PISTON PIN | 11 | 10 | F468300 | SPRING, REVERSE LOCK | 15 | 28 |
| F250410 | PISTON PIN RETAINING RING | 11 | 9 | F468346 | SHOCK MOUNT | 15 | 4 |
| F2706772 | HOSE CLAMP | 3 | 18 | F468349 | REVERSE LOCK | 15 | 29 |
| F271038 | SUPPORT PLATE (47H8C, 47B8C) | 11 | - | F468350 | PIN, REVERSE LOCK | 15 | 30 |
| F27209-1 | STUD, CARBURETOR | 9 | 7 | F46899-1 | COVER, SHIFT COUPLING | 15 | 5 |
| F286286-1 | WASHER, NYLON | 11 | 24 | F50109 | PLUG, GEAR HOUSING | 19 | 20 |
| F298075 | HANDLE, CLAMP SCREW | 15 | 20 | F521002 | CAM | 7 | 4 |
| F2A521010 | CYLINDER W/CRANKCASE COVER, DOWEL PINS AND SCREWS | 11 | 6 | F521004 | STUD | 11 | 23 |
| F2A521016 | CONNECTING ROD W/SCREWS AND BEARING | 11 | 12 | F521006 | STUD | 19 | 8 |
| F2A521018 | CRANKSHAFT W/SLINGER AND LOWER BEARING | 11 | 38 | F521013 | BEARING, CRANKSHAFT UPPER | 11 | 39 |
| | | | | F521015 | PISTON | 11 | 11 |
| | | | | F521034-1 | FUEL TANK | 3 | 20 |
| | | | | F521061-4 | CARBURETOR COMPLETE | 9 | 17 |
| | | | | F521063-2 | STARTER COMPLETE | 5 | - |
| | | | | F521065 | IMPELLER | 19 | 7 |
| | | | | F521079 | STEERING HANDLE | 11 | 27 |
| | | | | F521097-1 | FLYWHEEL | 7 | 2 |
| | | | | F521099 | SPACER | 19 | 30 |
| | | | | F521118-1 | SEAL, CRANKSHAFT LOWER | 11 | 37 |
| | | | | F521128 | DRIVESHAFT | 19 | 13 |
| | | | | F521132 | HANDLE, STARTER ROPE | 5 | 6 |
| | | | | F521146 | SEAL, CRANKSHAFT UPPER | 11 | 40 |

PARTS INDEX

| Part Number | Description | Pg. | Ref. No. | Part Number | Description | Pg. | Ref. No. |
|-------------|--|-----|----------|-------------|--|-----|----------|
| F521159 | REED PLATE | 13 | - | F521845 | EXTENSION, MOTOR - FOR MODELS 47H8C, 47B8C | 21 | 42 |
| F521163 | COVER, SUPPORT PLATE | 11 | 19 | F521894 | DECAL, "OFF" (U.S.A.) | 3 | 13 |
| F521168 | CARBURETOR ADAPTER | 13 | - | F521906 | CARBURETOR | 13 | - |
| F521168 | GASKET, CARBURETOR ADAPTER | 9 | 1 | F521906 | GASKET, CARBURETOR | 9 | 9 |
| F521192 | THROTTLE CAM | 7 | 16 | F521908 | GROUND WIRE | 7 | 17 |
| F521244 | WATER LINE (42H8C, 42B8C) | 17 | 46 | F521925 | LINK, CHOKE KNOB | 11 | 16 |
| F521248 | DECAL, CHOKE (U.S.A.) | 11 | 20 | F521984 | ENGINE COVER PACKING | 3 | 36 |
| F521251-3 | GAS CAP COMPLETE (NOT SHOWN) | 3 | - | F525457 | FILL HD SCREW, 1/4 - 20 X 5/8 | 19 | 35 |
| F521261 | LINE, WATER OUTLET | 17 | 49 | F527392 | DECAL, CHRYSLER | 3 | 26 |
| F521266 | BEVEL PINION GEAR | 19 | 23 | F527396 | DECAL, STRIPE - STARBOARD | 3 | - |
| F521279 | CYLINDER EXHAUST | 13 | - | F527397 | DECAL, STRIPE - PORT | 3 | 24 |
| F521279 | GASKET, CYLINDER EXHAUST | 11 | 7 | F53991-2 | GROMMET, SHEAR PIN | 13 | 47 |
| F521284 | KNOB, ENGINE COVER RETAINER | 3 | 33 | F5H027 | 6 GALLON FUEL TANK | 22 | - |
| F521296 | RETAINER, PROPELLER SHAFT BEARING CAGE | 19 | 34 | F5H089 | A-C LIGHTING COIL KIT | 22 | - |
| F521305 | SEAL, "O" RING | 19 | 33 | F5H091 | BATTERY CHARGING SYSTEM | 22 | - |
| F521307 | SEAL, PROPELLER SHAFT | 19 | 32 | F5H093 | LEG EXTENSION KIT | 22 | - |
| F521319 | BUSHING, STEERING HANDLE | 11 | 26 | F66480 | STUD | 15 | 18 |
| F521342-1 | SEAL, WATER LINE | 17 | 45 | F7005 | STOP NUT | 15 | 24 |
| F521369 | PIN, STARTER ROPE | 5 | 13 | F7009 | HEX NUT | 3 | 27 |
| F521386-1 | DECAL, NUMERAL | 3 | 38 | F7009 | LOCK NUT, 10 - 24 | 21 | 43 |
| F521391-1 | DECAL, SPEED RANGE (U.S.A.) | 3 | 16 | F8008 | PLAIN WASHER | 3 | 32 |
| F521415 | WASHER, GEAR SHIFT HANDLE | 17 | 42 | F8008 | PLAIN WASHER | 13 | 48 |
| F521489 | VALVE, FUEL SHUT-OFF | 9 | 14 | F8015 | PLAIN WASHER | 11 | 25 |
| F521498 | KEY, FLYWHEEL | 7 | 3 | F8028 | PLAIN WASHER | 13 | 44 |
| F521514 | KNOB, STEERING FRICTION W/SCREWS | 15 | 12 | F8039 | PLAIN WASHER | 15 | 25 |
| F521518 | CYLINDER HEAD | 13 | 42 | F8060 | INTERNAL TOOTH LOCKWASHER | 9 | 4 |
| F521529 | CYLINDER HEAD | 13 | - | F8061 | INTERNAL TOOTH LOCKWASHER | 3 | 21 |
| F521529 | GASKET, CYLINDER HEAD | 13 | 41 | F8074 | WASHER | 19 | 19 |
| F521537 | PLATE, WATER PUMP | 19 | 6 | F8077 | WASHER | 21 | 44 |
| F521547 | CHOKE KNOB | 11 | 21 | F8083 | SPRING LOCKWASHER | 11 | 2 |
| F521549-2 | THROTTLE LEVER | 7 | 14 | F8083 | SPRING LOCKWASHER | 15 | 34 |
| F521550 | KNOB, FUEL SHUT-OFF | 9 | 13 | F8083 | SPRING LOCKWASHER | 19 | 9 |
| F521552 | SCREW, FLYWHEEL | 7 | 1 | F84991-1 | GROMMET FOR MODELS 47H8C, 47B8C | 13 | 46 |
| F521569 | CAP, GREASE FITTING | 17 | 52 | F8537 | SPRING PIN | 15 | 23 |
| F521579 | SEAL, CRANKSHAFT SPLINE | 11 | 36 | F8538 | SPRING PIN | 19 | 3 |
| F521615 | ROD, GEAR SHIFT UPPER | 15 | 36 | F8554 | SPRING PIN | 15 | 21 |
| F521621 | LEVER, GEAR SHIFT | 15 | 38 | F8559 | DOWEL PIN | 11 | 34 |
| F521631 | SHOE, SWIVEL FRICTION | 15 | 10 | F901754 | HOSE | 3 | 19 |
| F521661-1 | PAD, SWIVEL FRICTION | 15 | 9 | F901938-1 | SCREW, CYLINDER HEAD | 11 | 3 |
| F521705 | ROD, GEAR SHIFT LOWER (42H8C, 42B8C) | 19 | 4 | F9102 | RETAINING RING | 13 | 50 |
| F521721 | CAM, CLUTCH SHIFT | 19 | 15 | FA237228 | CRANKPIN ROLLER SET | 11 | 14 |
| F521727 | SLEEVE, IDLE BAFFLE | 15 | 6 | FA332167 | CARBURETOR ADAPTER W/STUDS | 9 | 2 |
| F521728 | CLUTCH SHIFT PIN | 19 | 24 | FA341151 | PLATE, EXHAUST | 17 | 47 |
| F521774 | BRACKET, ENGINE COVER LOWER MOUNTING | 11 | 4 | FA459101 | PROPELLER PIN, PACK OF 3 | 19 | 37 |
| F521779 | BAFFLE, IDLE RELIEF | 15 | 7 | FA521023 | BEVEL GEAR W/BEARING | 19 | 25 |
| F521783 | SEAL | 19 | 17 | FA521298 | BEARING CAGE W/BEARING AND SEAL | 19 | 31 |
| F521811 | FITTING, GAS TANK | 3 | 17 | FA521448 | CLIP, THROTTLE STOP | 3 | 34 |
| | | | | FA521735 | SEAL, WATERLINE | 19 | 11 |

PARTS INDEX

| Part Number | Description | Pg. | Ref. No. | Part Number | Description | Pg. | Ref. No. |
|---------------|---|-----|----------|-------------|-------------|-----|----------|
| FA521841 | CABLE, LIGHTING COIL, FOR MODELS 47H8C, 47B8C | 7 | 26 | | | | |
| FA521892 | INSERT, PLATE FRONT - U.S.A. | 3 | 28 | | | | |
| FA521893 | INSERT, PLATE FRONT - CANADA | 3 | - | | | | |
| FA523095 | STATOR, ALTERNATOR FOR MODELS 47H8C, 47B8C . | 7 | 23 | | | | |
| FA735060 | WATER PUMP BODY | 19 | 12 | | | | |
| FA77395-5 | PLATE, IDENTIFICATION W/SCREWS - USA | 15 | 15 | | | | |
| FC341054 | GEAR HOUSING COMPLETE (NOT SHOWN) (42H8C) .. | 21 | - | | | | |
| FC521010 | SHORT BLOCK (NOT SHOWN) | 13 | - | | | | |
| FC521054 | GEAR HOUSING COMPLETE (NOT SHOWN) (47H8C) .. | 21 | - | | | | |
| FC521248 | DECAL, CHOKE (CANADA) . | 11 | - | | | | |
| FC521400 | DECAL, GEAR SHIFT HANDLE (CANADA) | 17 | 51 | | | | |
| FC521894 | DECAL, "OFF" (CANADA) .. | 3 | - | | | | |
| FG1015 | GASKET SET (SEE BELOW) | 13 | - | | | | |
| FK525713 | PACKING, TOP COVER TRIM | 3 | 23 | | | | |
| FK750-2 | SPARKIE KIT | 7 | 12 | | | | |
| FP332 | PROPELLER (42H8C, 42B8C) | 19 | - | | | | |
| FP521 | PROPELLER (47H8C, 47B8C) | 19 | 36 | | | | |
| FS521227 | SPARK PLUG (L-7-J) | 13 | 43 | | | | |
| 11-817752A1 | PROPELLER NUT W/COTTER PIN | 19 | 38 | | | | |
| 37-817908--3 | DECAL, SPEED RANGE (CANADA) | 3 | - | | | | |
| 39-818038A1 | PISTON RING SET | 11 | 8 | | | | |
| 100-FS665712 | ENGINE COVER TOP W/RETAINER & PACKING | 3 | 30 | | | | |
| 1400-817850A4 | STERN BRACKET W/CLAMP SCREW & FOOT | 15 | 26 | | | | |
| 1500-817940A6 | MOTOR LEG | 15 | 1 | | | | |