



PARTS CATALOG

115 H.P.

SERIAL NUMBER

115 (1977)1157H8A
115 (1978)1157B8A
115 (1978)1157H8A

TABLE OF CONTENTS:

ACCESSORIES	54
CARBURETOR	16
CRANKSHAFT AND PISTON GROUP	32
DISTRIBUTOR	12
ELECTRICAL COMPONENTS	6
ENGINE COVER AND SUPPORT PLATE	2
FUEL PUMP AND REED PLATE	20
FUEL TANK AND LINE	44
GEAR HOUSING	40
LUBRICATION CHART	57
MOTOR LEG	34
PARTS INDEX	59
POWER HEAD	24
REMOTE CONTROL	46
SPECIAL ADJUSTMENTS	58
SPECIAL TOOLS - GEAR HOUSING	52
SPECIAL TOOLS - POWER HEAD	51
SPECIAL TOOLS - TEST EQUIPMENT	53
SPECIAL TOOLS - TUNE-UP	50
SPECIFICATIONS	56
STARTER	10

NOTE: *Indented description indicate that these parts are included in preceding assembly.*

AR = As Required

NSS = Not Sold Separate

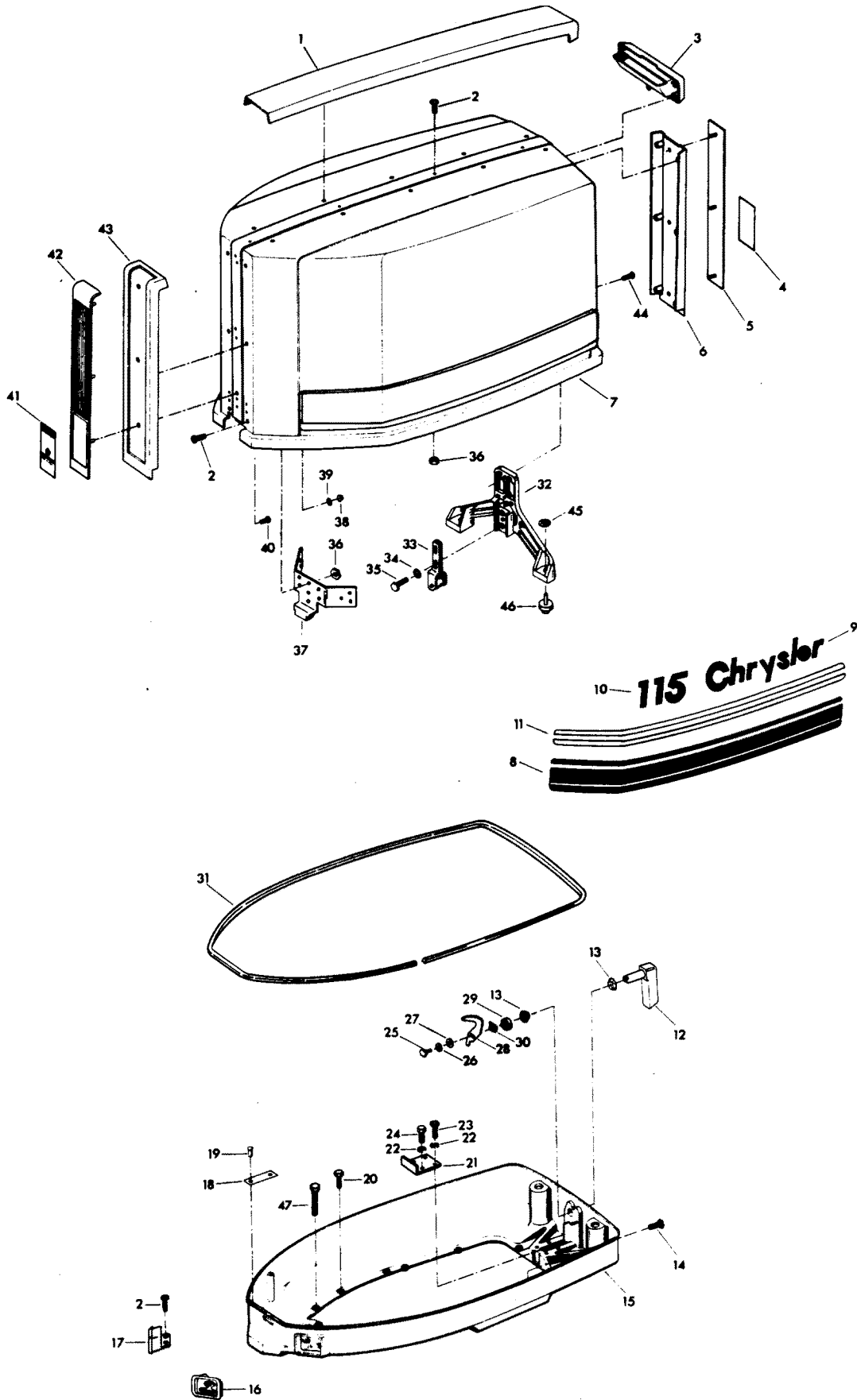
OPT = Optional

NS = Not Shown

THESE PARTS BOOKS/FICHE CARD ARE COPYRIGHTED AND MAY NOT BE DISTRIBUTED OR REPRODUCED IN ANY OTHER FORMAT BY ANYONE OTHER THAN MERCURY MARINE WITHOUT THE PRIOR WRITTEN CONSENT OF MERCURY MARINE.

THIS PAGE INTENTIONALLY LEFT BLANK

ENGINE COVER AND SUPPORT PLATE

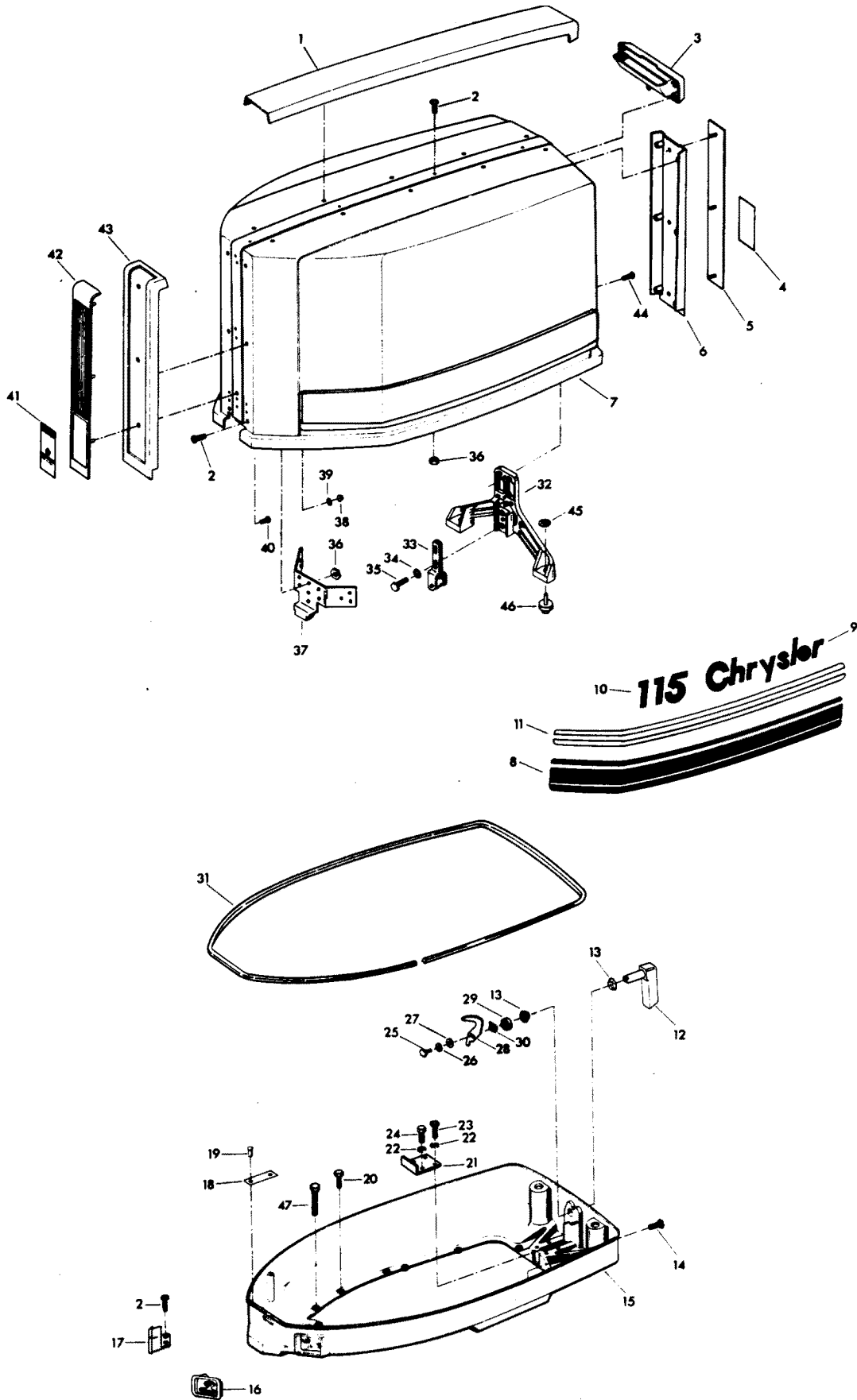


ENGINE COVER AND SUPPORT PLATE

REF. NO.	PART NO.	SYM.	QTY.	DESCRIPTION
1	F2S480179		1	TRIM TOP
2	F1733		10	PAN HD MACHINE SCREW, 10 - 24 X 9/16
3	F2S480269		1	TILT HANDLE
4	FA512528		1	INSERT, PLATE REAR
5	F439386		1	PLATE REAR
6	F2S489180		1	TRIM REAR
7	FA489944		1	ENGINE COVER W/RETAINER, SCREWS AND NUTS
8	F412386		2	DECAL, NUMERAL
9	F498392		2	NAME "CHRYSLER"
10	F498396		2	DECAL, STRIPE - UPPER
11	F498397		2	DECAL, STRIPE - LOWER
12	FA481469		1	HANDLE W/SHAFT
13	F480818		2	BEARING
14	F1238		6	HEX CAP SCREW, 1/4 - 20 X 3/4
15	F480038-2		1	SUPPORT PLATE
16	F310189		1	BUSHING, ELECTRIC CABLE
17	F311189-1		1	BUSHING, CABLE ENTRY
18	FA77395-5		1	IDENTIFICATION PLATE W/SCREWS FOR U.S.A. MODELS
-	AC16395-8		1	IDENTIFICATION PLATE W/SCREWS FOR CANADA MODELS
19	F1447		2	ROUND HD SCREWS, 2 X 3/16
20	F1502		5	HEX CAP SCREW, 1/4 - 20 X 5/8
21	F335654-1		1	DEFLECTION STOP
22	F8096		4	SPRING LOCKWASHER
23	F1857		2	HEX CAP SCREW, 5/16 - 18 X 5/8
24	F1858		2	HEX CAP SCREW, 5/16 - 18 X 1
25	F1854		1	HEX CAP SCREW, 1/4 - 20 X 5/8
26	F8083		1	SPRING LOCKWASHER
27	F8094		1	PLAIN WASHER
28	F481777		1	CAM, LATCH
29	F481382-1		1	SPACER, LATCH SHAFT
30	F2047		1	WAVE SPRING LOCKWASHER
31	F321756		1	PACKING, COVER
32	F481774		1	BRACKET, COVER LATCH
33	FA481743		1	ROLLER BRACKET
34	F8096		2	SPRING LOCKWASHER
35	F1857		2	HEX CAP SCREW, 5/16 - 18 X 5/8
36	F1473		7	HEX NUT
37	F373778-1		1	RETAINER, ENGINE COVER
38	F1753		7	FASTENER
39	F85735-1		7	SEAL
40	F2066		30	PAN HD TAPPING SCREW, 10 X 7/16 (TRIM TO COVER)
41	FA467892		1	INSERT PLATE FRONT - U.S.A.
-	FA467893		1	INSERT PLATE FRONT - CANADA

CONTINUED ON NEXT PAGE ➡

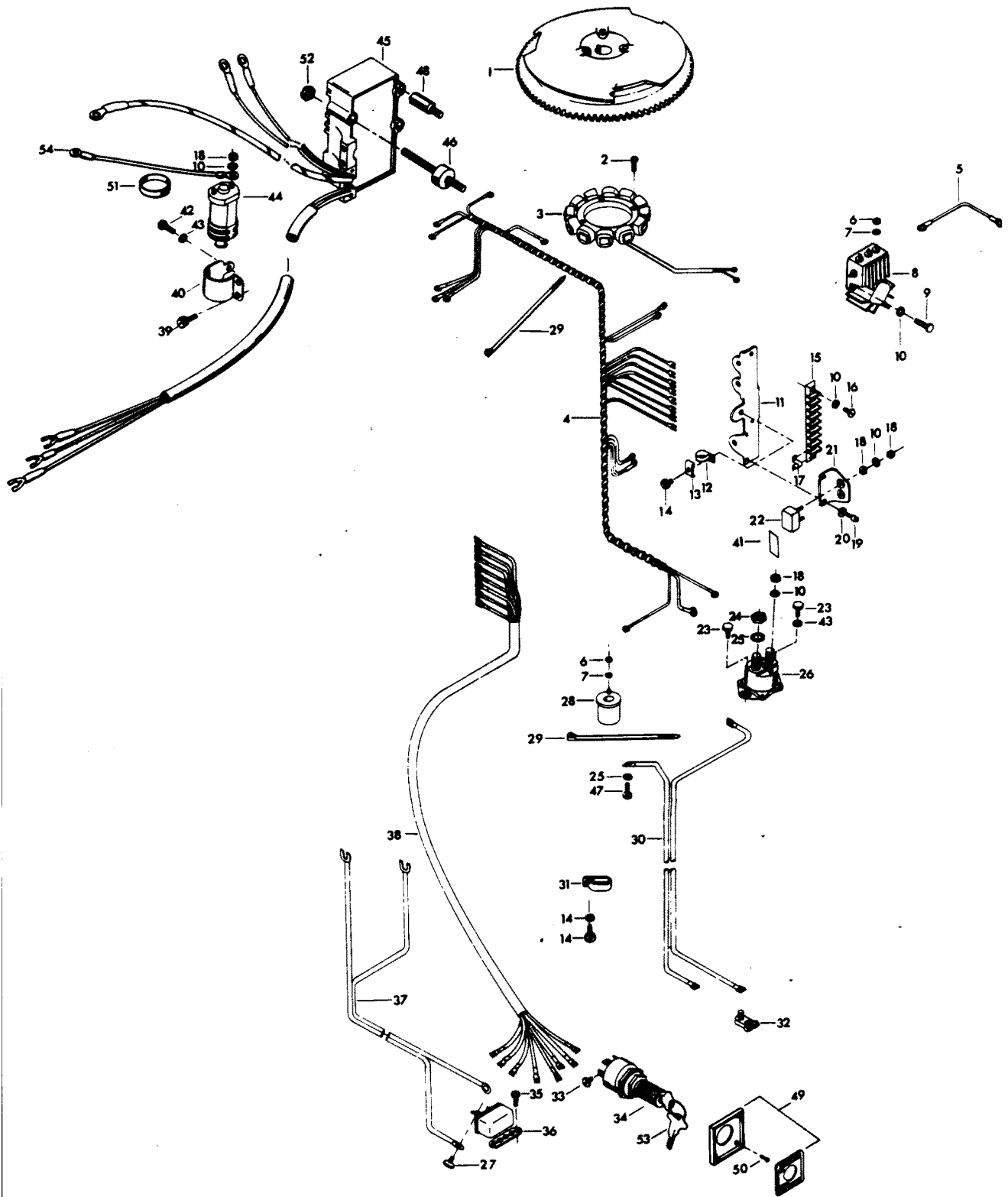
ENGINE COVER AND SUPPORT PLATE



ENGINE COVER AND SUPPORT PLATE

REF. NO.	PART NO.	SYM.	QTY.	DESCRIPTION
42	F500711		1	PLATE, ENGINE COVER FRONT
43	F2S489888		1	TRIM FRONT
44	F1730		3	PAN HD SCREW W/SPRING LOCKWASHER, 1/4 - 20 X 5/8
45	F2088		2	FASTENER
46	F481434		2	GUIDE, ENGINE COVER
47	F1849		2	HEX HD CAP SCREW, 1/4 - 20 X 1 3/8
-	F438984-1		1	BLANKET, SILENCER TOP (NOT SHOWN)
-	F489985		2	BLANKET, SILENCER SIDE (NOT SHOWN)

ELECTRICAL COMPONENTS

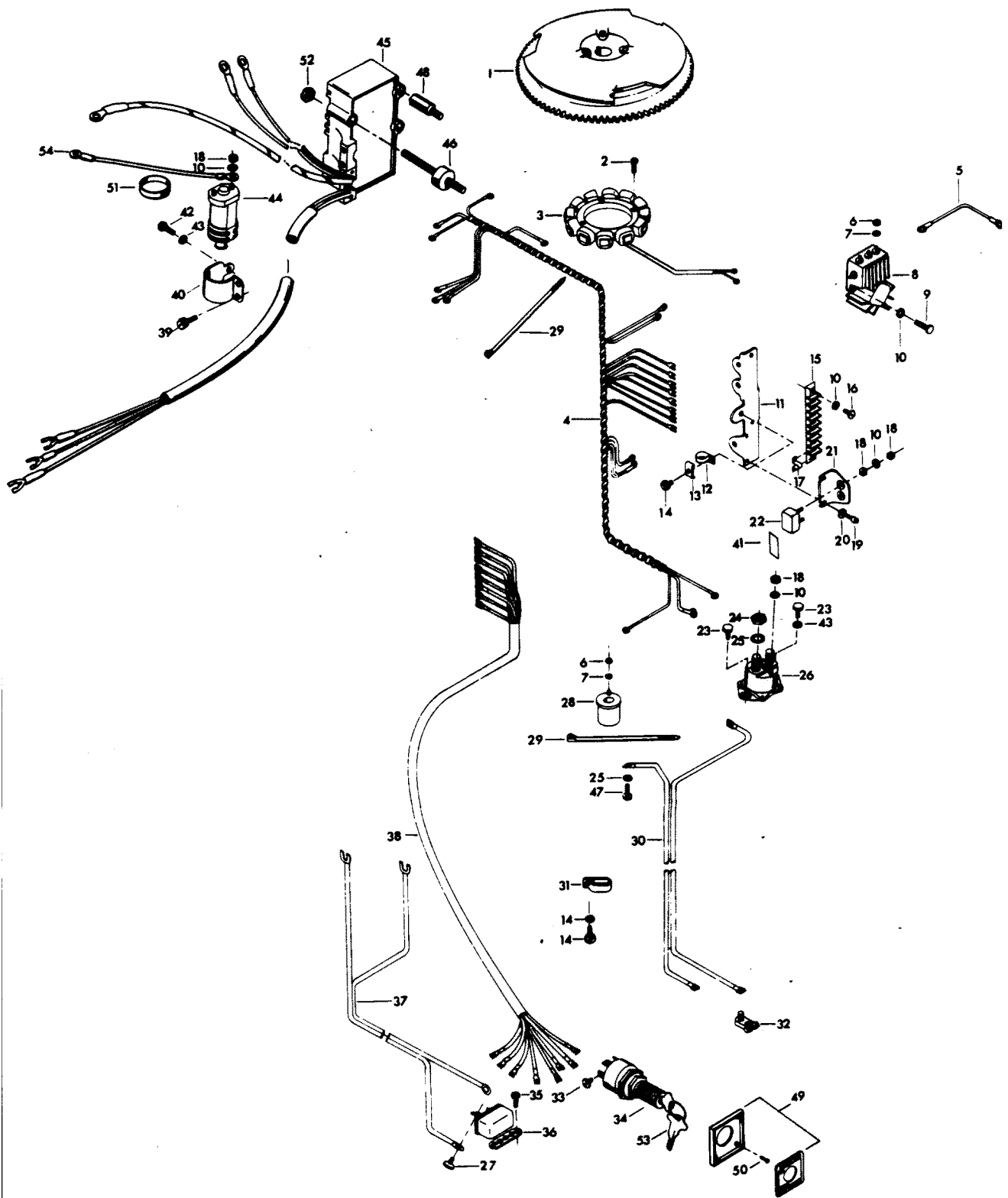


ELECTRICAL COMPONENTS

REF. NO.	PART NO.	SYM.	QTY.	DESCRIPTION
1	F404097		1	FLYWHEEL
2	F1678		6	FILL HD SCREW, 10 - 24 X 13/16
3	F85095-2		1	STATOR
4	F438744-1		1	WIRING HARNESS
5	F345683		1	WIRE, REGULATOR-RECTIFIER GROUND
6	F1647		5	HEX NUT, 8 - 32
7	F8056		5	SPRING LOCKWASHER
8	F404470-1		1	REGULATOR-RECTIFIER
9	F2001		3	FILL HD SCREW, 10 - 24 X 5/8
10	F1975		9	SPRING LOCKWASHER
11	FA438493		1	TERMINAL BLOCK BRACKET
12	F289446-1		1	CLAMP
13	F438668		1	RETAINER, CABLE CLAMP
14	F1734		2	FILL HD SCREW W/LOCKWASHER, 1/4 - 20 X 1/2
15	FA510497		2	TERMINAL BLOCK
16	F1648		2	PAN HD SCREW, 10 - 24 X 3/4
17	F307317		1	CLIP, TERMINAL BLOCK
18	F1513		8	HEX NUT
19	F1760		2	PAN HD SCREW, 10 - 24 X 3/8
20	F8011		2	PLAIN WASHER
21	F91446-1		1	CIRCUIT BREAKER BRACKET
22	F510460		1	CIRCUIT BREAKER
23	F1705		2	HEX CAP SCREW, 1/4 - 20 X 3/4
24	F1515		2	HEX NUT
25	F8096		3	SPRING LOCKWASHER
26	F460917		1	STARTER RELAY
27	F1645		2	HD. SCREW, 6 - 32 X 1/4
28	F85924		1	CHOKE SOLENOID
29	F1877		2	TY-RAP
30	F381896-4		1	BATTERY CABLE
31	F407446		1	CLAMP
32	F5H041		1	BATTERY CABLE CLAMP KIT (ACCESSORY ITEM)
33	F1280		5	PAN HD SCREW, 8 - 32 X 1/4
34	F5H078		1	IGNITION SWITCH (LONG BARREL) W/KEYS AND SCREWS (ACCESSORY ITEM)
35	F1741		2	PAN HD SCREW, 8 X 3/4
36	F5H043		1	OVERHEAT BUZZER (ACCESSORY ITEM)
37	F404841		1	CABLE, HEAT INDICATOR
38	F85843-1		1	REMOTE ELECTRIC CABLE, 18 FEET
39	F1851		2	FILL HD SCREW W/LOCKWASHER, 10 - 24 X 1/2
40	F404513		1	COIL CLAMP
41	F510374		1	DECAL, CIRCUIT BREAKER
-	FC510374		1	DECAL, CIRCUIT BREAKER

CONTINUED ON NEXT PAGE ➡

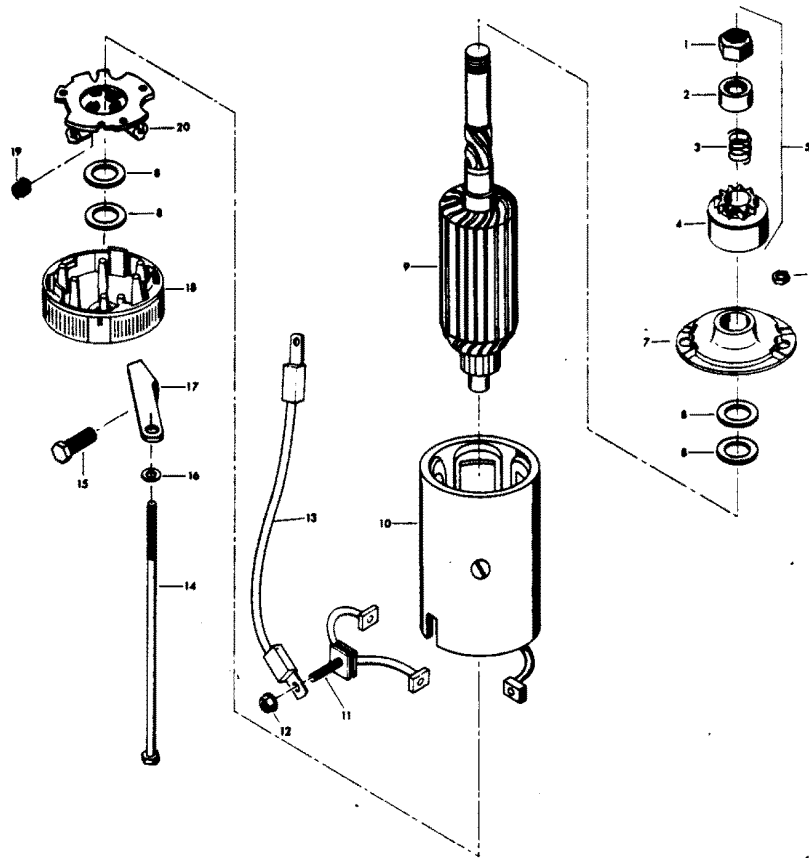
ELECTRICAL COMPONENTS



ELECTRICAL COMPONENTS

REF. NO.	PART NO.	SYM.	QTY.	DESCRIPTION
42	F1689		1	HEX HD CAP SCREW, 1/4 - 20 X 1/2
43	F8083		2	SPRING LOCKWASHER
44	F345475-1		1	COIL
45	FA523301		1	UNIT W/DECAL
46	F523962		3	SHOCK MOUNT - C.D. UNIT
47	F2000		1	HEX CAP SCREW, 5/16 - 18 X 3/4
48	F322273		1	STUD, C.D. UNIT
49	F5H038		1	IGNITION SWITCH MOUNTING KIT (ACCESSORY ITEM)
50	F1934		4	FLAT HD SLOTTED SCREW, 6 X 12
51	F391983		2	RETAINING BAND
52	F1892		3	STOP NUT
54	F85664		1	GROUND WIRE
-	480373		1	DECAL, MAGNAPOWER IGNITION (NOT SHOWN)
-	F474387		1	TIMING DECAL (NOT SHOWN)
-	FC474387		1	TIMING DECAL - CANADA

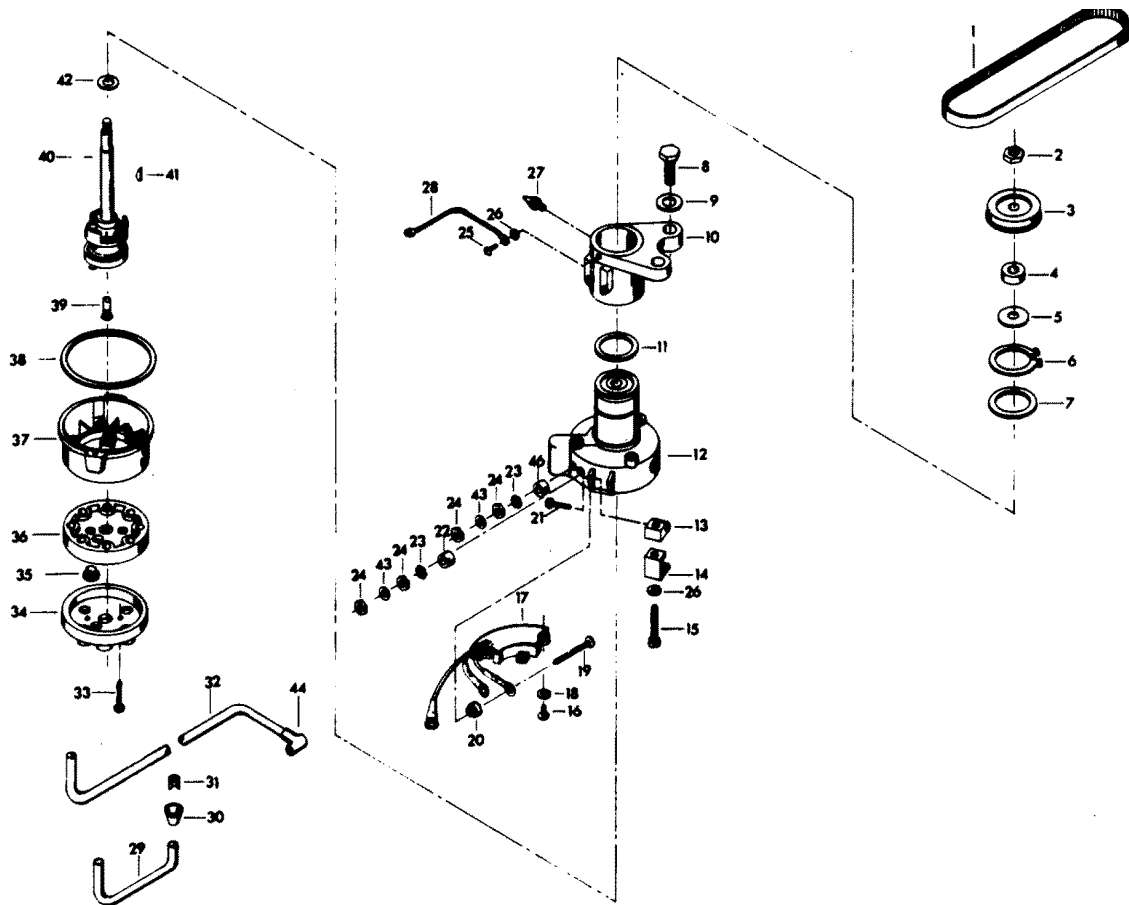
STARTER



STARTER

REF. NO.	PART NO.	SYM.	QTY.	DESCRIPTION
5	F15118		1	BENDIX DRIVE ASSEMBLY
6	F1641		2	LOCK NUT 1/4 - 28
7	F15167		1	HEAD ASSEMBLY, DRIVE END
8	F15126		1	THRUST WASHER PACKAGE
9	F15099		1	ARMATURE
10	F15166		1	FRAME AND FIELD ASSEMBLY
11	F15054		1	BRUSH AND TERMINAL SET
12	FA15072		1	HEX LOCK NUT, 1/4 - 20
13	F85908		1	STARTER LEAD WIRE
14	F15168		1	THRU BOLT PACKAGE
15	F1502		1	HEX CAP SCREW, 1/4 - 20 X 5/8
16	F8060		2	LOCKWASHER
17	F511675		1	STARTER BRACKET, LOWER
18	F15125		1	HEAD ASSEMBLY, COMMUTATOR END
19	F15034		1	SPRING SET
20	F15057		1	BRUSH PLATE AND HOLDER ASSEMBLY
-	FS490955		1	STARTER COMPLETE
-	FC500390		1	DECAL, STARTER - CANADA (NOT SHOWN)

DISTRIBUTOR

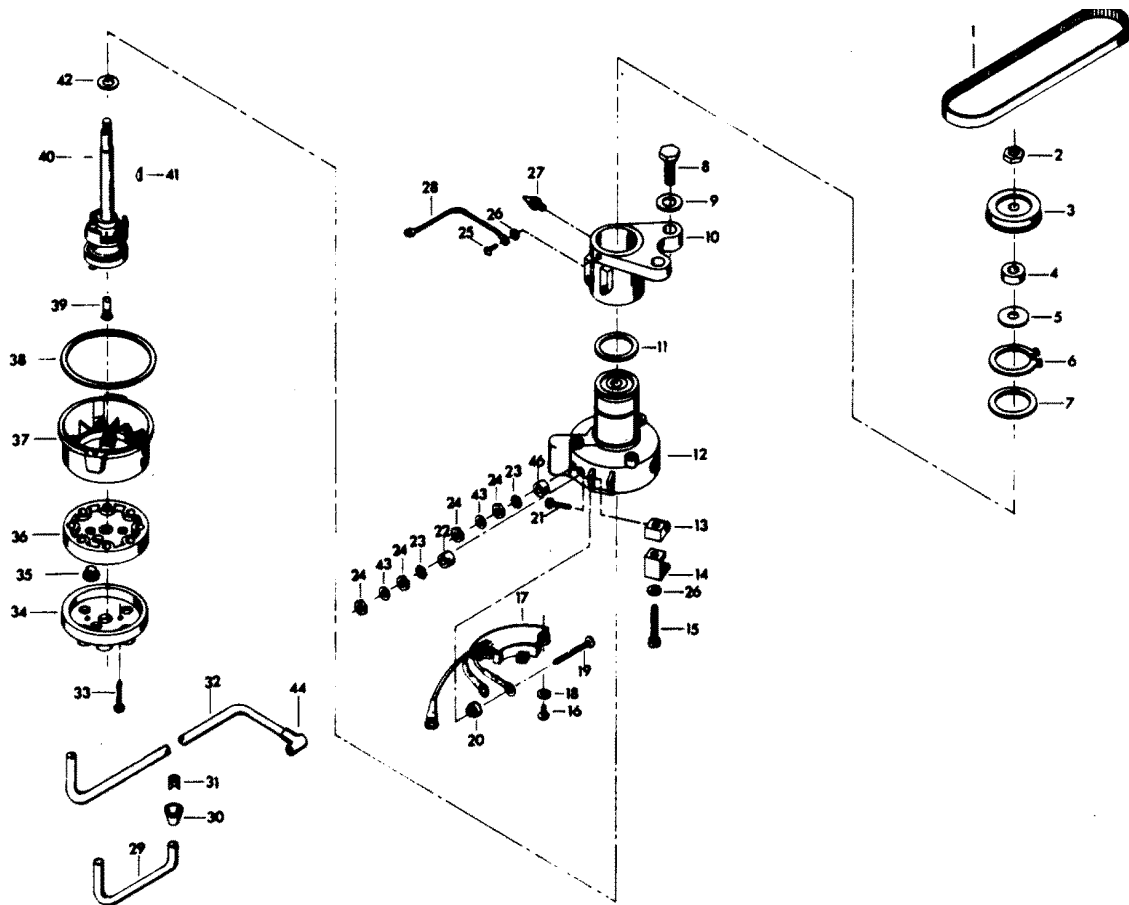


DISTRIBUTOR

REF. NO.	PART NO.	SYM.	QTY.	DESCRIPTION
1	F85311		1	DISTRIBUTOR BELT
2	F7013		1	STOP NUT
3	817786A1		1	DISTRIBUTOR PULLEY
4	F14025		1	SPACER
5	F14028		1	THRUST WASHER
6	F85173		1	RETAINING RING
7	F14029		1	THRUST WASHER
8	F1612		2	HEX CAP SCREW, 3/8 - 16 X 1 1/4
9	F2014		2	PLAIN WASHER
10	FA321574		1	DISTRIBUTOR BRACKET
11	F1759		2	SHIM, DISTRIBUTOR (QTY. AS REQUIRED)
12	F14042		1	DISTRIBUTOR HOUSING W/BEARINGS
13	14055		2	SWIVEL
14	F14037		2	CAP CLIPS
15	F14038		2	CAP CLIP SCREWS
16	F14045		2	SCREW
17	14048-2		1	PREAMPLIFIER
18	F8056		2	LOCKWASHER
19	F14046		2	TERMINAL SCREW
20	F14047		2	TERMINAL INSULATOR (INSIDE)
21	F14015		2	CAP CLIP RIVET
22	F14049		1	TERMINAL INSULATOR (OUTSIDE)
23	F14041		2	EXTERNAL TOOTH LOCKWASHER
24	F1647		4	HEX NUT, 8 - 32
25	F1760		2	PAN HD SCREW, 10 - 24 X 3/8
28	F1975		2	SPRING LOCKWASHER
27	F213274		1	GREASE FITTING
28	F85664		1	DISTRIBUTOR GROUND
29	84-817775A1		1	COIL WIRE W/TERMINAL CLIP
30	F203276		1	BOOT
31	F203673		1	TERMINAL CLIP
32	F321841-3		4	LEAD WIRE
33	F14007		4	CAP SCREW
34	F14010-1		1	CAP COVER
35	F14040		2	VENT
36	F14021-1		1	CAP SEAL
37	F14005-2		1	CAP BASE
38	F14030		1	CAP GASKET
39	F14012-1		1	BRUSH
40	F14044		1	DISTRIBUTOR SHAFT
41	F1692		1	WOODRUFF KEY
42	F14024		1	SPACER

CONTINUED ON NEXT PAGE ➡

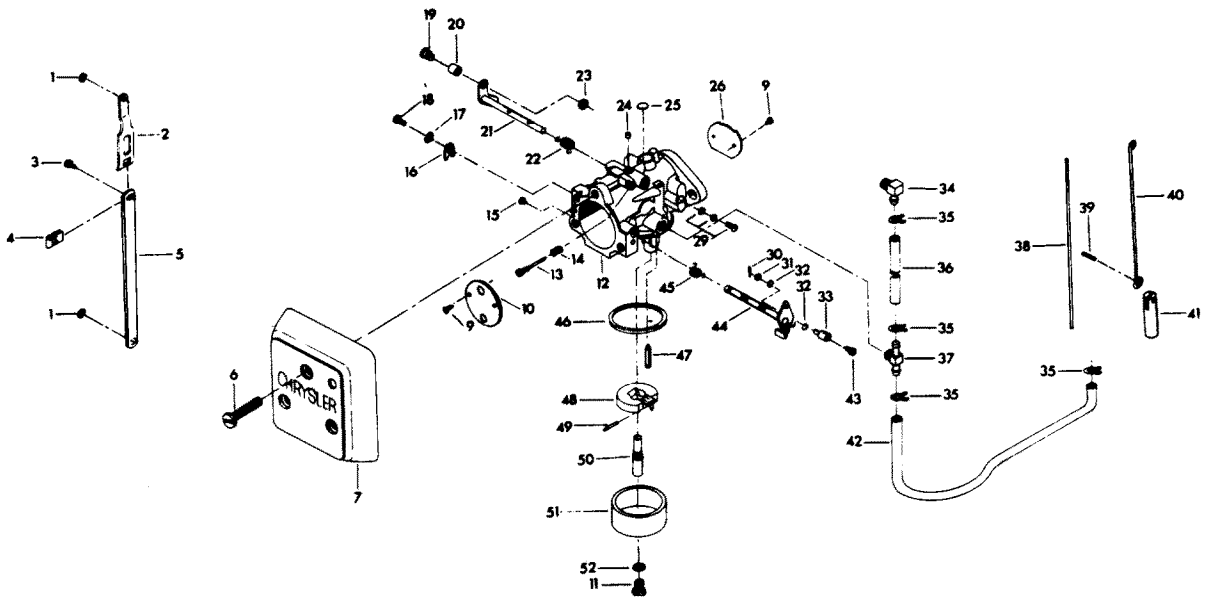
DISTRIBUTOR



DISTRIBUTOR

REF. NO.	PART NO.	SYM.	QTY.	DESCRIPTION
43	F8056		2	LOCKWASHER
44	FK750-1		4	SPARKIE W/SPRING
46	F14017		1	TERMINAL INSULATOR (OUTSIDE)
-	817828A1		1	DISTRIBUTOR
-	481373-1		1	DECAL, "ELECTRONIC" (NOT SHOWN)

CARBURETOR

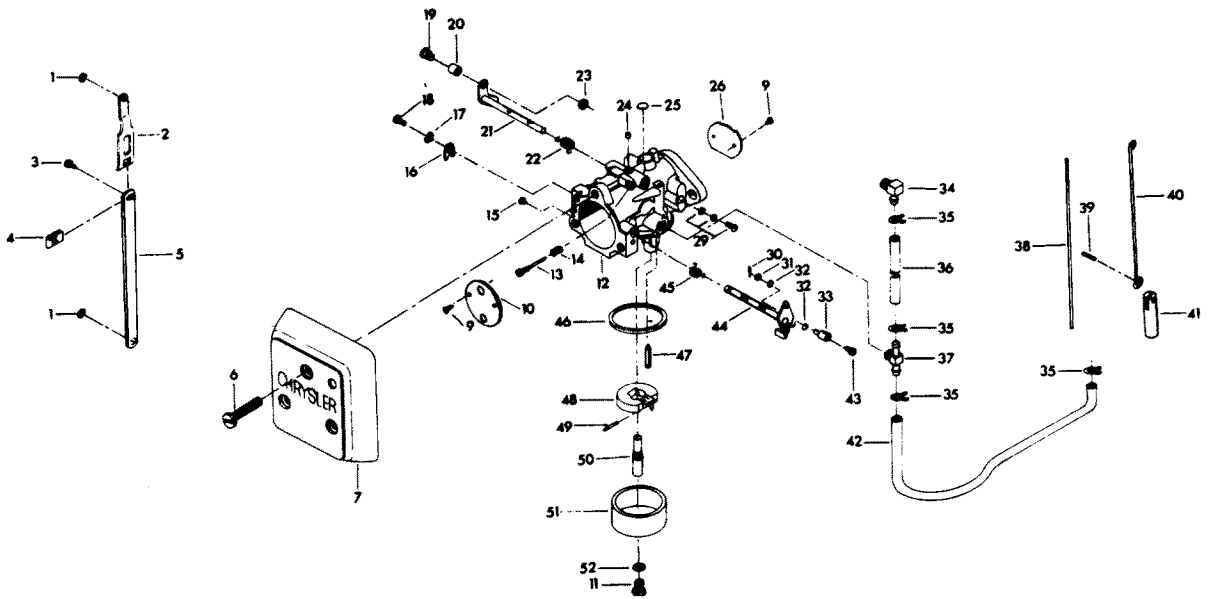


CARBURETOR

REF. NO.	PART NO.	SYM.	QTY.	DESCRIPTION
1	F90807		2	RETAINING RING
2	FA85193		1	TIE BAR END W/SWIVEL
3	F1064		1	FILL HD SCREW, 8 - 32 X 3/8
4	F1693		1	TIE BAR RETAINER NUT
5	FA178233		1	THROTTLE TIE BAR W/SWIVEL
6	F1034		6	PAN HD SCREW, 1/4 - 20 X 1 3/8
7	F511708		2	COVER, CARBURETOR
9	FO15912		4	CHOKE AND THROTTLE SHUTTER SCREW
10	FO17719		1	CHOKE SHUTTER
11	FO16132		1	FUEL BOWL RETAINING SCREW
13	FO14166		1	IDLE MIXTURE SCREW
14	FO11103		1	IDLE MIXTURE SCREW SPRING
15	FO14191		1	MAIN FUEL JET, .096 STANDARD
16	FO9678		1	CLIP, CHOKE SHAFT
17	FO992		1	LOCKWASHER
18	FO1974		1	SCREW
19	F333316		1	THROTTLE ROLLER SHAFT
20	F92759		1	THROTTLE ROLLER
21	FO17884		1	THROTTLE SHAFT AND LEVER
22	FO16143		1	THROTTLE SHAFT RETURN SPRING
23	F1997		1	STOP NUT, 8 - 32
24	FO10588		5	BODY CHANNEL CUP PLUG
25	FO16128		1	BODY CHANNEL WELCH PLUG
26	FO16142		1	THROTTLE SHUTTER
27	FO12400		1	RETAINING SCREW WASHER
28	FO16620		1	LOCKWASHER KIT
30	F1014		2	COTTER PIN
31	F8088		3	PLAIN WASHER
32	F184579		5	"O" RING SEAL
33	F184033-1		1	SWIVEL, TOP CARBURETOR
34	F84314-2		1	ELBOW
35	F97772		4	CLAMP
36	F178754-1		1	FUEL LINE
37	F85314-1		1	FUEL FITTING
38	F85509-1		1	LINK, CHOKE
39	F2033		1	GROOVE PIN
40	F440925		1	CHOKE ROD
41	F391926-1		1	PLUNGER
42	F438754		1	FUEL LINE W/CLAMP, PUMP TO CARBURETOR
43	F1059		2	FILL HD SCREW, 6 - 32 X 1/4
44	FO16301		1	CHOKE SHAFT AND LEVER
45	FO17885		1	CHOKE SHAFT RETURN SPRING
46	FO15623		1	FUEL BOWL GASKET

CONTINUED ON NEXT PAGE ➡

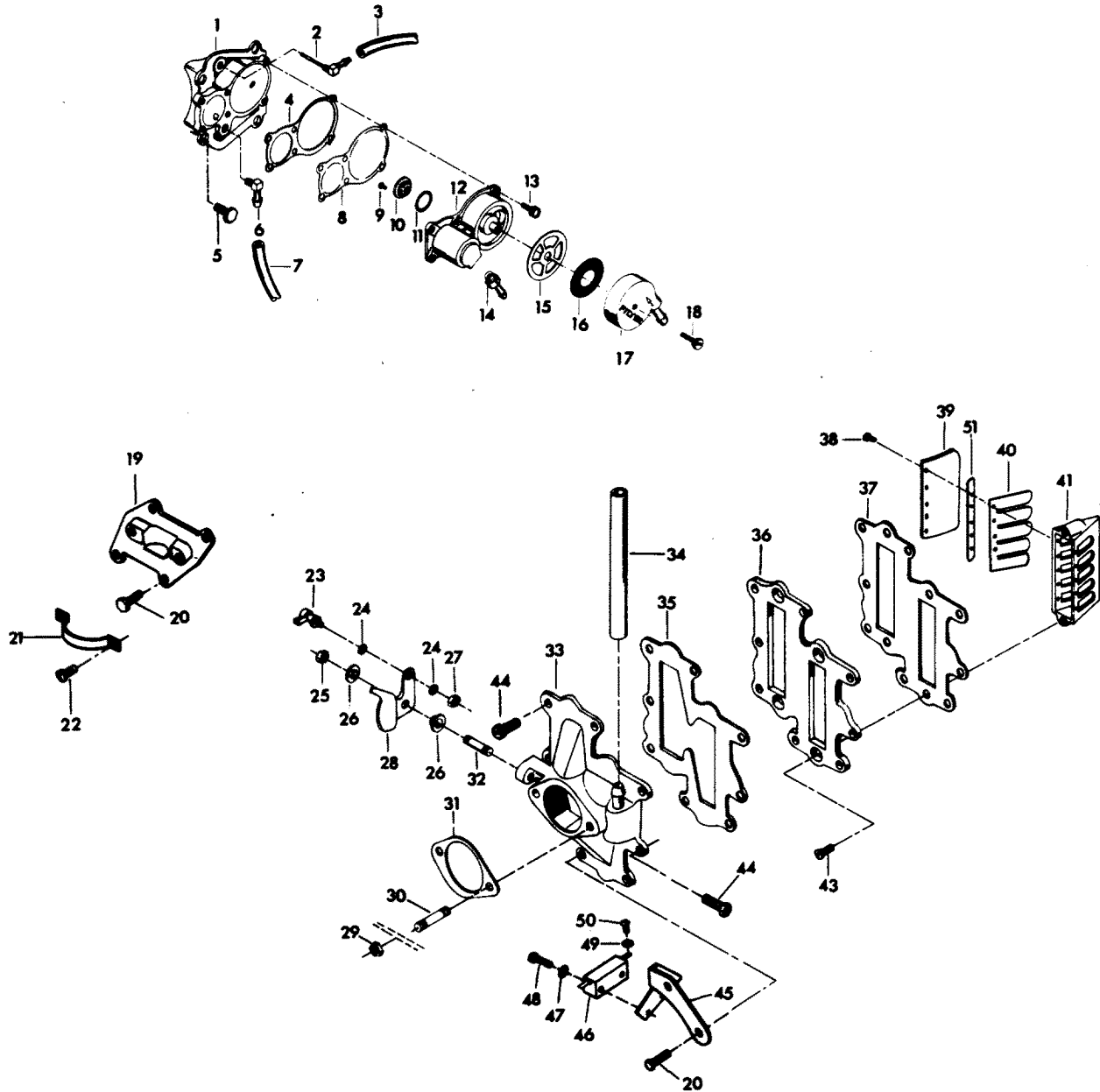
CARBURETOR



CARBURETOR

REF. NO.	PART NO.	SYM.	QTY.	DESCRIPTION
47	FO16697		1	INLET NEEDLE
48	FO13554		1	FLOAT
49	FO13944		1	FLOAT LEVER PIN
50	FO16133		1	MAIN NOZZLE
51	FO16130		1	FUEL BOWL
52	FO5323		1	FUEL BOWL RETAINING SCREW GASKET
-	F85033		1	SWIVEL, CHOKE ROD (BOTTOM CARBURETOR) (NOT SHOWN)
-	F10023		1	GASKET SET (NOT SHOWN)
-	F10051		1	REPAIR PARTS KIT INCLUDES ALL ITEMS MARKED WITH AN ASTERISK (*)
-	F490061-1		2	CARBURETOR COMPLETE (TC-6B)

FUEL PUMP AND REED PLATE

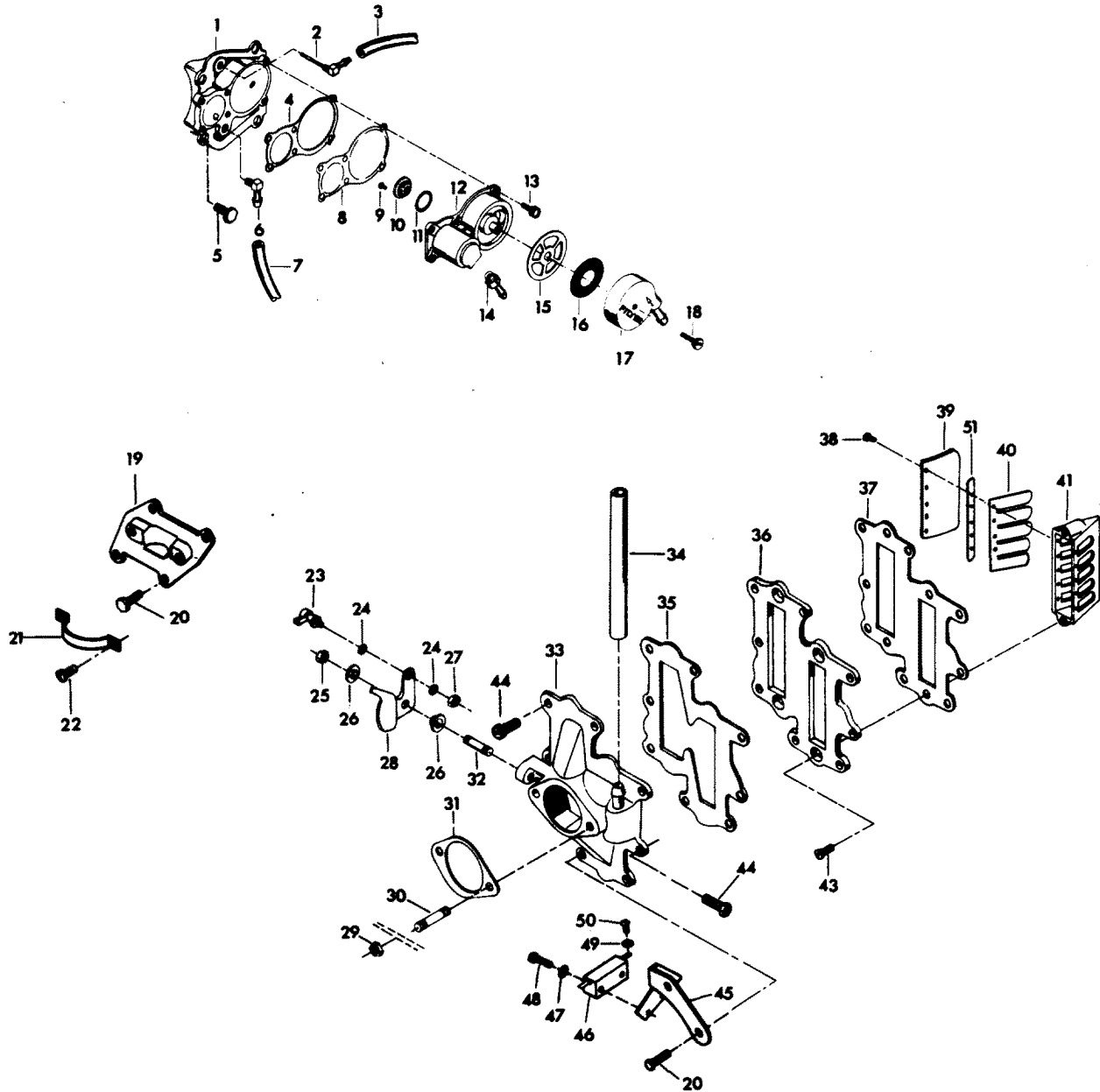


FUEL PUMP AND REED PLATE

REF. NO.	PART NO.	SYM.	QTY.	DESCRIPTION
1	FA439746		1	FUEL PUMP COVER
2	F404314		1	ELBOW, FUEL PUMP COVER
3	F441754-1		1	HOSE
4	F438760		1	FUEL PUMP GASKET
5	F1502		4	HEX CAP SCREW, 1/4 - 20 X 5/8
6	F84314-2		1	ELBOW
7	F89758		1	FUEL PUMP AIR HOSE - TOP
8	F438747		1	FUEL PUMP DIAPHRAGM W/GASKET
9	F1860		2	RD HD SCREW, 6 - 32 X 1/4
10	F177330		3	FUEL PUMP VALVE
11	F84792		1	GASKET, CENTER FUEL PUMP VALVE
12	FA438431		1	FUEL PUMP BODY W/VALVES
13	F1108		6	FILL HD SCREW, 1/4 - 20 X 3/4
14	F438801		1	FITTING
15	F438617		1	FUEL SEDIMENT BOWL GASKET
16	F438653		1	FUEL SEDIMENT BOWL SCREEN
17	F438500		1	FUEL SEDIMENT BOWL
18	F438165		1	SCREW, FUEL PUMP BOWL
19	F372958		1	CHOKE BRACKET
20	F1953		6	HEX HD SCREW, 1/4 - 20 X 1
21	F85317-1		1	SOLENOID CLAMP
22	F1236		2	SCREW, 1/4 - 20 X 1/2
23	817747--1		1	BALL JOINT W/STUD
24	F8058		2	INTERNAL TOOTH LOCKWASHER
25	F1910		1	STOP NUT, 1/4 - 20
26	F269319		2	THROTTLE CAM BEARING
27	F1513		1	HEX NUT, 10 - 32
28	F440192		1	THROTTLE CAM
29	F1346		4	HEX NUT
30	F440209		4	CARBURETOR STUD
31	F440906		2	CARBURETOR GASKET
32	F433209-1		1	THROTTLE CAM STUD
33	FA440167		1	CARBURETOR ADAPTER, LOWER W/FITTING AND STUD
-	FA440157		1	CARBURETOR ADAPTER, UPPER W/FITTING AND STUD
34	F440254		1	BALANCE TUBE
35	F178168-1		2	GASKET, CARBURETOR ADAPTER
36	F178404-1		2	DEFLECTOR PLATE
37	F406406		2	GASKET DEFLECTOR PLATE
38	F1755		40	ROUND HD SCREW W/LOCKWASHER, 6 - 32 X 1/4
39	F85161-1		8	REED STOP
40	F530160		8	REED (4 PETAL)
41	F2A523158		4	REED PLATE W/REEDS, REED STOPS AND SCREWS
43	F1831		8	FLAT HD SCREW, 1/4 - 20 X 5/8

CONTINUED ON NEXT PAGE ➡

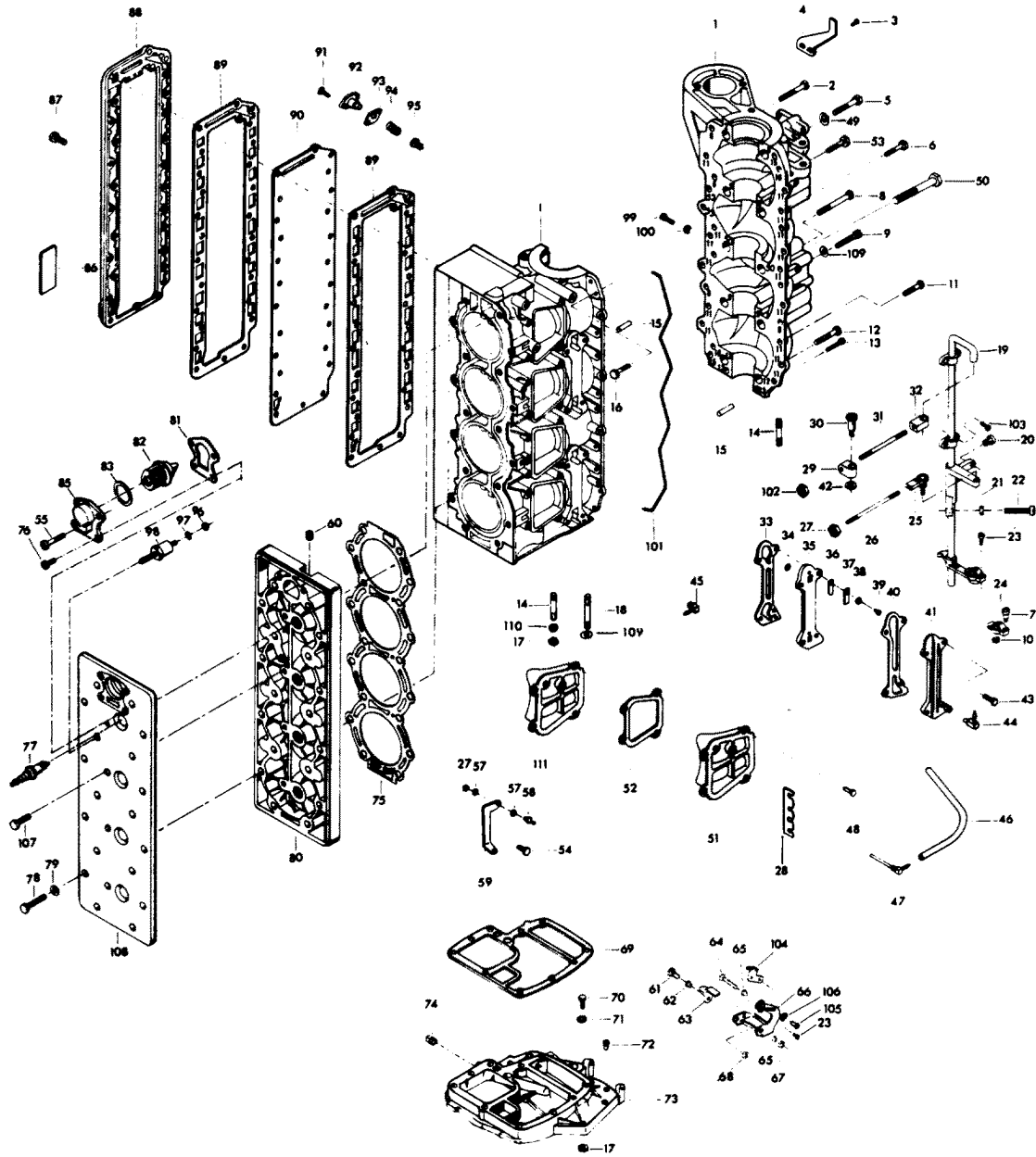
FUEL PUMP AND REED PLATE



FUEL PUMP AND REED PLATE

REF. NO.	PART NO.	SYM.	QTY.	DESCRIPTION
44	F1915		10	HEX HD SCREW, 1/4 - 20 X 7/8
45	F489551		1	BRACKET NEUTRAL INTERLOCK SWITCH
46	F84449		1	INTERLOCK SWITCH
47	F8088		2	PLAIN WASHER
48	F2016		2	FILL HD SCREW, 6 - 32 X 7/8
49	F1704		2	INTERNAL TOOTH LOCKWASHER
50	F1645		2	RD HD SCREW, 6 - 32 X 1/4
51	F523451		8	SPACER, REED STOP

POWER HEAD

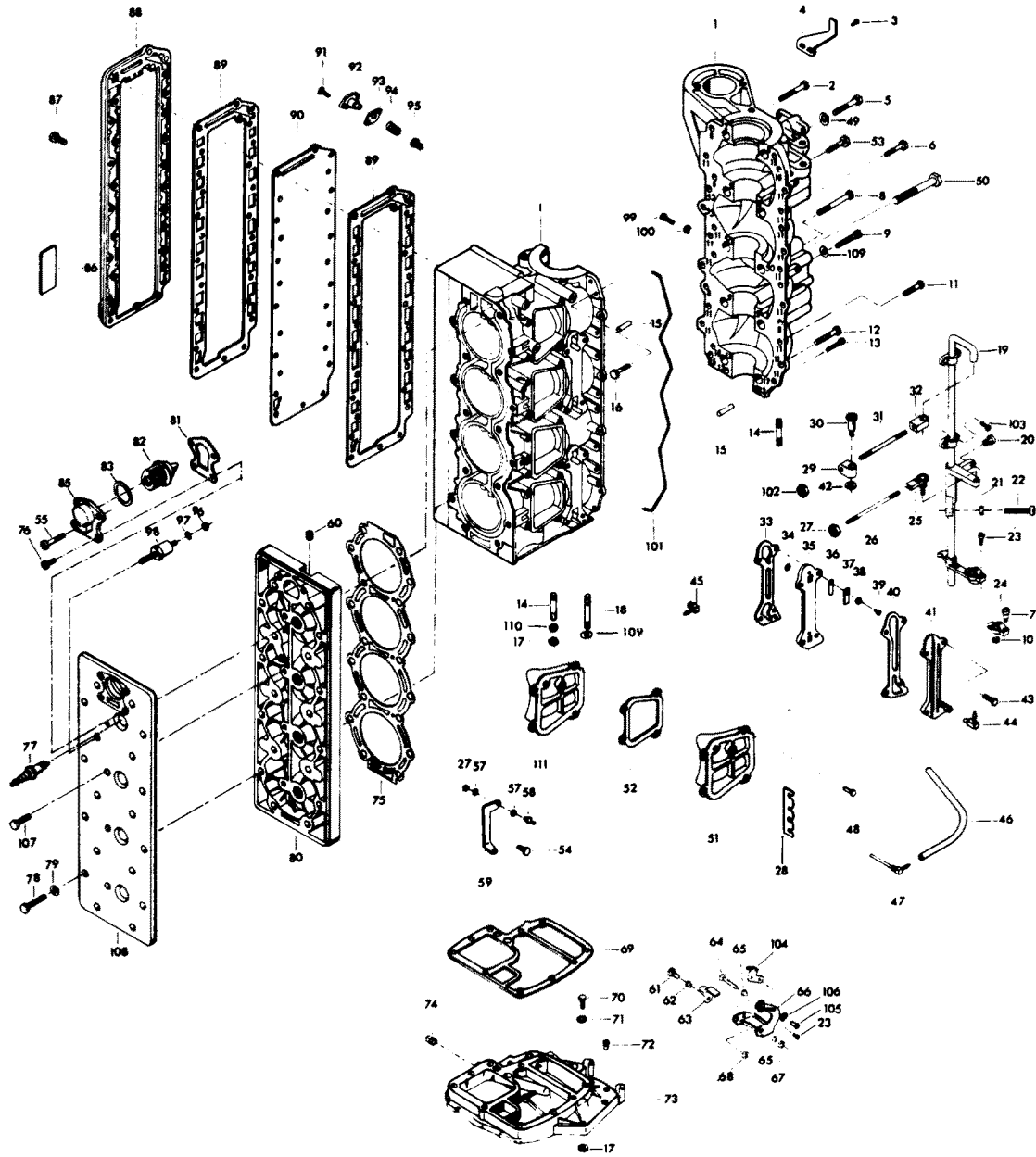


POWER HEAD

REF. NO.	PART NO.	SYM.	QTY.	DESCRIPTION
1	A476010-1		1	CYLINDR W/CRANKCSE COVR, PARTNG LINE SEAL, SCRWS & DOWL PINS
2	F1874		1	HEX HD SCREW, 3/8 - 16 X 3 1/8
3	F1760		2	PAN HD SCREW, 10 - 24 X 3/8
4	FA480894		1	TIMING POINTER
5	F1009		1	HEX HD SCREW, 3/8 - 16 X 2 3/4
6	F1915		3	HEX HD SCREW, 1/4 - 20 X 7/8
7	F405457		1	PIVOT SCREW
8	F1699		1	HEX HD SCREW, 1/4 - 20 X 1 1/8
9	F1253		4	HEX SOCKET HD CAP SCREW, 3/8 - 16 X 2
10	F7008		1	ELASTIC STOP NUT
11	F1914		16	HEX HD SCREW, 1/4 - 20 X 3/4
12	F1872		2	HEX CAP SCREW, 3/8 - 16 X 1 3/4
13	F1099		2	FILL HD SCREW, 1/4 - 20 X 1 1/4
14	F85859		4	STUD
15	F8563		2	DOWEL PIN
16	F1953		2	HEX HD SCREW, 1/4 - 20 X 1
17	F7004		10	STOP NUT, 3/8 - 16
18	F85211		6	STUD
19	817932A6		1	TOWER SHAFT W/SWIVEL, BEARINGS AND SCREWS
20	F1727		1	PLASTIC RIVET
21	F1341		1	HEX NUT, 1/4 - 20
22	F1052		1	FILL HD SCREW, 1/4 - 20 X 1
23	F1556		2	FILL HD SCREW W/LOCKWASHER, 10 - 24 X 3/8
24	FK405020		2	SWIVEL W/CLAMP, SHOULDER SCREW AND NUT
25	817747--1		1	BALL JOINT W/STUD
26	F85502		1	THROTTLE LINK
27	F1513		4	HEX NUT, 10 - 32
28	F523834		1	CLIP, SPARK PLUG WIRE
29	F85035		1	DISTRIBUTOR, CONTROL ROD END
30	F85026		1	SWIVEL
31	F85445		1	CONTROL ROD
32	F85036		1	TOWERSHAFT CONTROL ROD END
33	F84748-3		2	GASKET
34	F93811		4	SCREEN
35	F2A476757		2	CYLINDER DRAIN REED PLATE W/REEDS, STOPS AND SCREWS
36	F18160-2		4	CYLINDER DRAIN REED
37	F93920		4	REED STOP
38	F8003		4	PLAIN WASHER
39	F1286		4	PAN HD SCREW, 4 - 40 X 3/16
40	F84472-5		2	GASKET, CYLINDER DRAIN COVER
41	F406471-1		2	CYLINDER DRAIN COVER
42	F1935		1	PLAIN WASHER

CONTINUED ON NEXT PAGE ➡

POWER HEAD

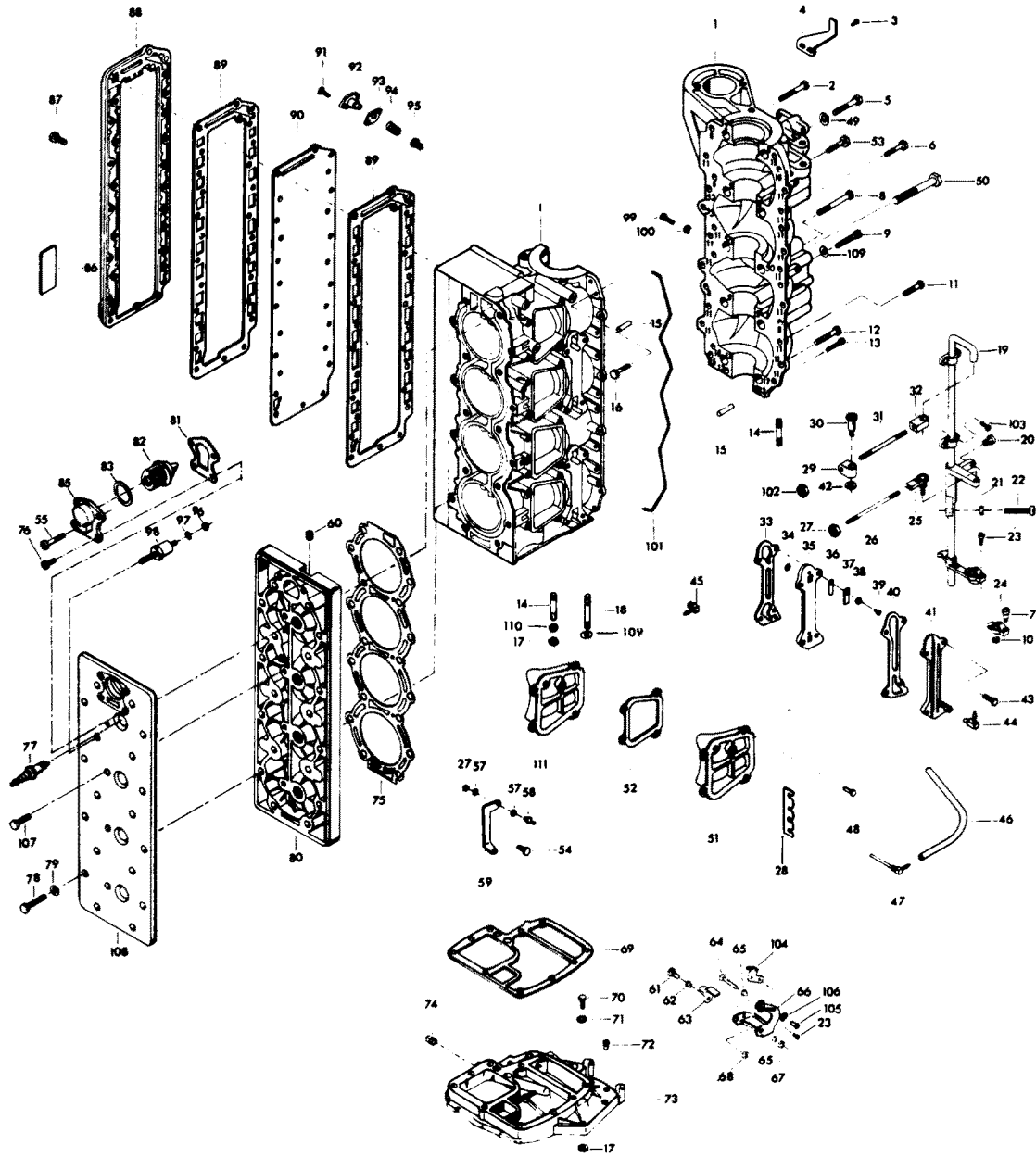


POWER HEAD

REF. NO.	PART NO.	SYM.	QTY.	DESCRIPTION
43	F1187		8	HEX HD SCREW, 1/4 - 20 X 1
44	22-818103--1		1	ELBOW, CYLINDER DRAIN LOWER
-	F404801		1	ELBOW, CYLINDER DRAIN UPPER
45	F84314-2		1	ELBOW
46	F406754-1		1	HOSE
47	F404314		1	FITTING
48	F1502		10	HEX CAP SCREW, 1/4 - 20 X 5/8
49	F8104		4	PLAIN WASHER
50	F1873		2	HEX CAP SCREW, 3/8 - 16 X 3
51	FA411222		2	TRANSFER PORT COVER
52	F40223		4	GASKET, TRANSFER PORT COVER
53	F2008		2	HEX HD SCREW, 1/4 - 20 X 7/8
54	F1238		2	HEX CAP SCREW, 1/4 - 20 X 3/4
55	F1099		2	FILL HD SCREW, 1/4 - 20 X 1 1/4
57	F8058		4	INTERNAL TOOTH LOCKWASHER
58	F98273		2	ROD END CONNECTOR STUD
59	85872-1		1	BRACKET
60	F19109		1	PLUG
61	F369887		1	SHOULDER SCREW
62	F369610		1	BEARING
63	F369977-1		1	INTERLOCK ARM
64	F1885		1	HEX BOLTS, S.S., 5/16 - 18 X 4 1/4
65	F85610		2	BEARING
66	FA480876		1	GEAR SHIFT ARM W/SWIVL, BEARNGS, INTRLOK ARM AND SHULDR SCRW
67	F2108		1	STOP NUT, 5/16 - 18
68	F1832		1	STOP NUT, 1/4 - 20
69	F85279-2		1	GASKET, CYLINDER EXHAUST UPPER
70	F1869		6	HEX CAP SCREW, 3/8 - 16 X 1 1/4
71	F1703		6	LOCKWASHER
72	FA98689		1	BEARING
73	817788A3		1	SPACER PLATE W/PLUG
74	F2090		1	PLUG
75	F476529		1	CYLINDER HEAD GASKET
76	F1107		2	SLOTTED FILL HD CAP SCREW, 1/4 - 20 X 3/4
77	33-97180		4	SPARK PLUG (CHAMPION L20V)
-	C523227		4	SPARK PLUG (CHAMPION QL-76V) FOR MODELS 1157B8A
78	F2049		18	HEX CAP SCREW, 5/16 - 18 X 2 5/8
79	F1987		18	PLAIN WASHER
80	FA528518		1	CYLINDER HEAD
81	F476067		1	GASKET
82	F528068		1	THERMOSTAT
83	F84504		1	GROMMET (THERMOSTAT)

CONTINUED ON NEXT PAGE ➡

POWER HEAD

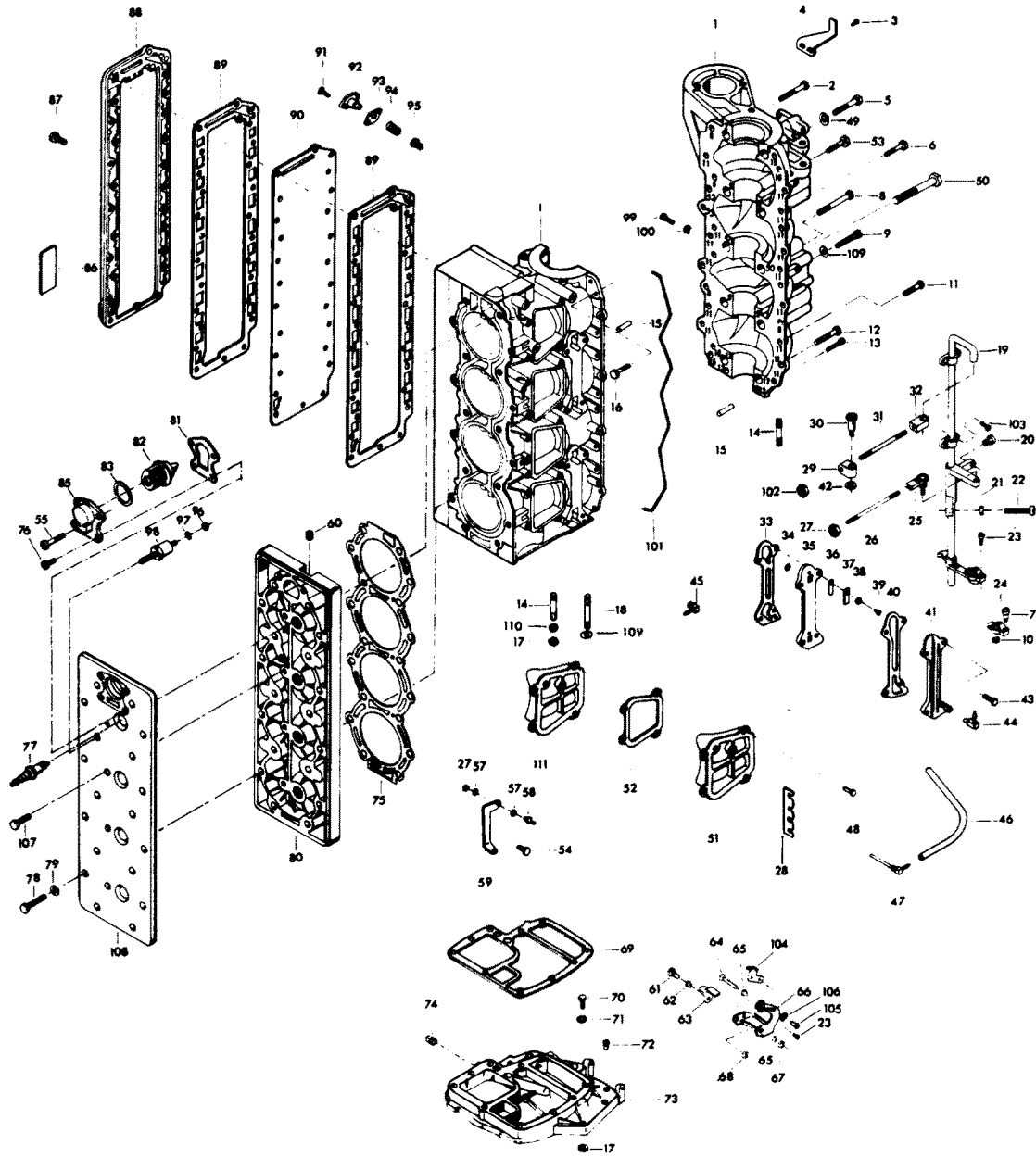


POWER HEAD

REF. NO.	PART NO.	SYM.	QTY.	DESCRIPTION
85	F476066-1		1	THERMOSTAT COVER
86	F438398		1	DECAL, WIRING
-	FC438398		1	DECAL, WIRING - CANADA
87	F1709		27	HEX BOLT, 1/4 - 20 X 1 1/8
88	F372152-1		1	EXHAUST PORT COVER
89	F372154-1		2	GASKET, EXHAUST PORT PLATE
90	F372151-1		1	EXHAUST PORT PLATE
91	F1950		2	HEX CAP SCREW, 10 - 24 X 5/8
92	F438066		1	BY-PASS VALVE COVER
93	F85762		1	BY-PASS VALVE COVER GASKET
94	F404268		1	BY-PASS VALVE SPRING
95	F85916-1		1	BY-PASS VALVE
96	F1647		1	HEX NUT, 8 - 32
97	F8056		1	LOCKWASHER
98	87-817778A1		1	THERMOSWITCH
99	F2000		1	HEX CAP SCREW, 5/16 - 18 X 3/4
100	F8096		1	SPRING LOCKWASHER
101	F184122-1		1	SEAL, PARTING LINE
102	F2015		1	HEX NUT, 1/4 - 28
103	F1475		4	FILL HD SCREW, 10 - 24 X 1/2
104	F480107-1		1	CAM STARTER INTERLOCK
105	F2089		2	SLOTTED PAN HD M. SCREW, 10 - 24 X 5/16
106	F2042		2	PLAIN WASHER
107	F1203		4	HEX CAP SCREW, 1/4 - 20 X 7/8
108	F528995		1	COVER, CYLINDER HEAD
109	F8038		4	PLAIN WASHER
110	F8095		12	PLAIN WASHER
-	FG1003-1		1	GASKET SET (SEE BELOW)
-	C476010-2		1	SHORT BLOCK CONTAINS ALL ITEMS MARKED WITH AN ASTERISK. ALSO REFER TO CRANKSHAFT PAGE.
-	F40223		4	TRANSFER PORT COVER
-	F84067-1		1	THERMOSTAT COVER
-	F84472-5		2	CYLINDER DRAIN COVER
-	F84748-3		2	CYLINDER DRAIN
-	F85279-2		1	CYLINDER EXHAUST UPPER
-	F85453-1		1	CYLINDER EXHAUST LOWER
-	F85762		1	BY-PASS
-	F85906		2	CARBURETOR
-	F178168-1		2	CARBURETOR ADAPTOR
-	F184122-1		1	SEAL
-	F372154-1		2	EXHAUST PLATE
-	F372529		1	CYLINDER HEAD
-	F406406		2	DEFLECTOR PLATE

CONTINUED ON NEXT PAGE ➡

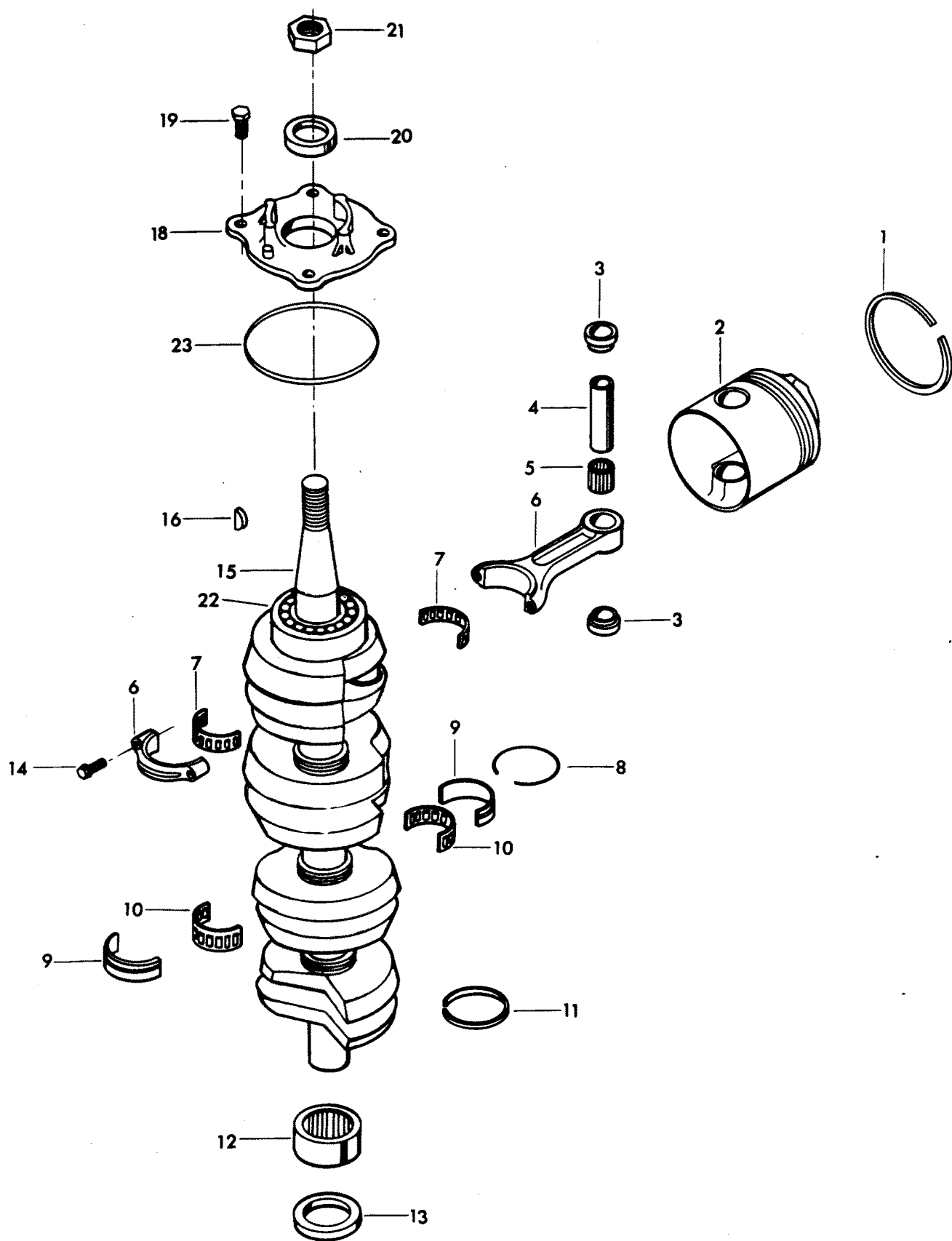
POWER HEAD



POWER HEAD

REF. NO.	PART NO.	SYM.	QTY.	DESCRIPTION
-	F440906		2	CARBURETOR
-	F476067		1	THERMOSTAT COVER
-	F476529		1	CYLINDER HEAD
-	F438760		1	FUEL PUMP
-	F438747		1	FUEL PUMP DIAPHRAGM
-	F438617		1	FUEL PUMP BOWL

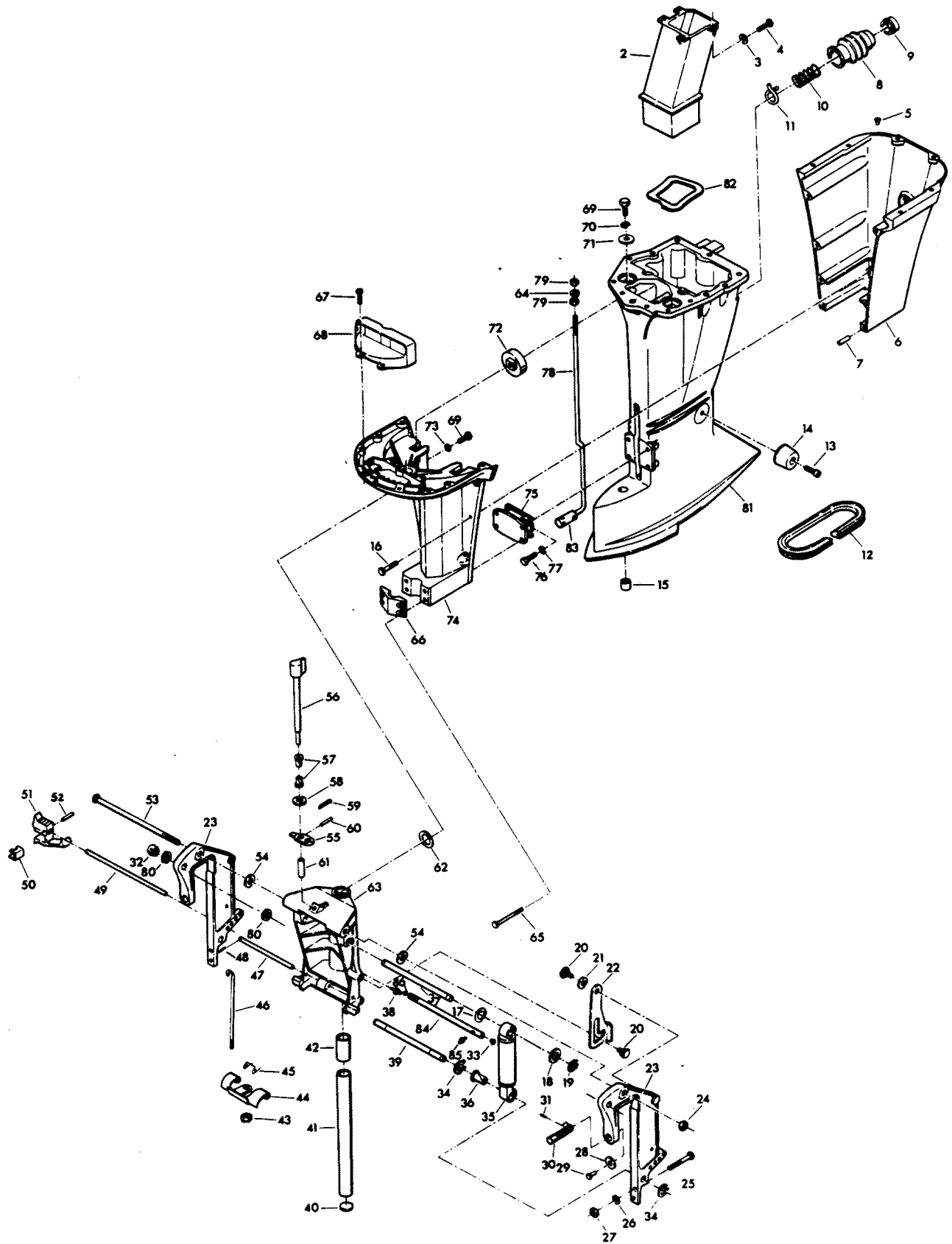
CRANKSHAFT AND PISTON GROUP



CRANKSHAFT AND PISTON GROUP

REF. NO.	PART NO.	SYM.	QTY.	DESCRIPTION
1	FA475260		2	PISTON RING SET
2	F511015-2		4	PISTON
3	F335215		8	SPACER, PISTON PIN (2 PER PISTON)
4	F85017		4	PISTON PIN
5	F335217-1		4	BEARING, PISTON PIN (26 PER SET)
6	600-818052A4		4	CONNECTING ROD W/CAP AND SCREWS
7	FK85228-1		4	BEARING CAGE W/ROLLER
8	F85410		3	SNAP RING
9	FA85655-1		3	CRANKSHAFT MAIN BEARING RACE W/SNAP RING
10	F85571		3	BEARING CAGE W/ROLLER
11	F316579		3	SEAL, CRANKCASE
12	FA523014		1	CRANKSHAFT LOWER MAIN BEARING W/ITEM 13
13	F523146		1	SEAL, CRANKSHAFT LOWER
14	F85634-1		8	CONNECTING ROD SCREW
15	400-817735A4		1	CRANKSHAFT W/BEARING
16	F85498		1	FLYWHEEL KEY
18	31-817785A2		1	CRANKSHAFT BEARING CAGE W/SEAL
19	F1867		4	HEX CAP SCREW, 3/8 - 16 X 1
20	F84146-2		1	SEAL
21	F1968		1	FLYWHEEL NUT
22	F284659-2		1	BEARING, CRANKSHAFT UPPER MAIN
23	F84278		1	SEAL
-	F2067		1	PLASTISOL CAP (NOT SHOWN)
-	FSA475260		2	PISTON RING (4 PER SET) .010 OVERSIZE (NOT SHOWN)
-	39-818123A1		2	PISTON RING (4 PER SET) .030 OVERSIZE (NOT SHOWN)
-	817993A2		4	PISTON .010 OVERSIZE (NOT SHOWN)
-	700-819409A4		4	PISTON .030 OVERSIZE (NOT SHOWN)

MOTOR LEG

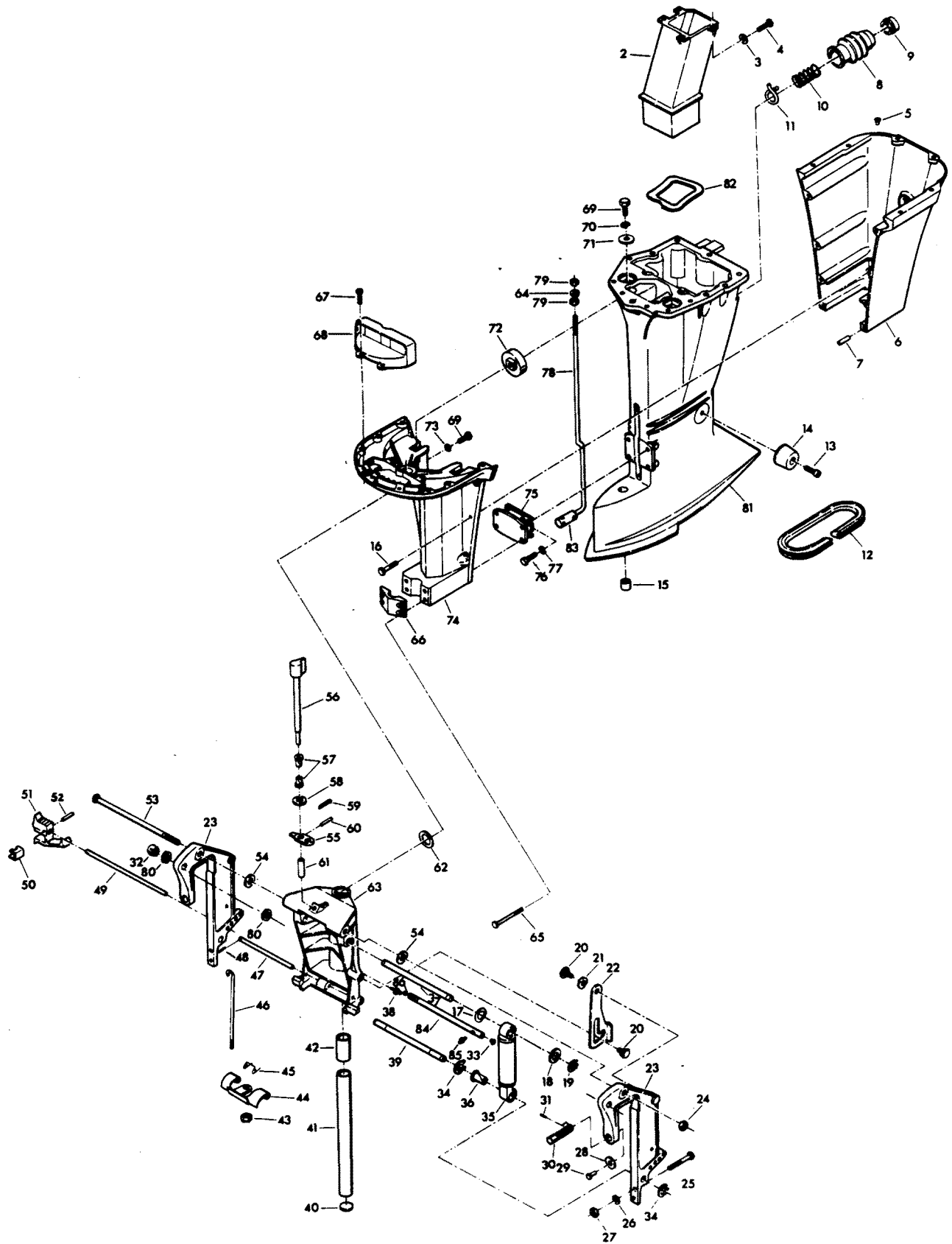


MOTOR LEG

REF. NO.	PART NO.	SYM.	QTY.	DESCRIPTION
2	F85660-1		1	EXHAUST TUBE
3	F8083		4	SPRING LOCKWASHER
4	F1864		4	HEX SLOT HD SCREW 1/4 - 20 X 3/4
5	F1729		2	PLUG
6	817931A7		1	MOTOR LEG COVER REAR
7	F1664		2	SPRING PIN
8	F85130		1	BOOT IDLE EXHAUST
9	F85258		1	INSERT
10	F85380		1	SPRING
11	F85772		1	CLAMP
12	F178323		1	SEAL, MOTOR LEG
13	F1263		2	HEX SOCKET HD CAP SCREW 5/16 - 18 X 9/16
14	F438962		2	SHOCK MOUNT LOWER REAR
15	F338618-1		1	SEAL GEAR SHIFT ROD
16	F2030		6	HEX HD M. SCREW 1/4 - 20 X 1-1/4
17	F1711		2	SPRING BOWED WASHER
18	F1710		2	PLAIN WASHER
19	F178208		2	RETAINING RING
20	F85350-1		2	TILT STOP PIVOT
21	F1666		1	SPRING BOWED WASHER
22	F85541-1		1	TILT LOCK
23	1400-817958A6		2	STERN BRACKET
24	F7012		1	STOP NUT
25	F1593		2	HEX HD SCREW 3/8 - 16 X 3
26	F1904		2	PLAIN WASHER
27	F1346		2	HEX NUT
28	F84074		2	CLAMP SCREW FOOT
29	F353480		2	STUD
30	F474073-1		2	CLAMP SCREW
31	F8538		2	SPRING PIN
32	F9018		1	CAP
33	F9052		1	PLUG
34	F178173		4	RETAINING RING
35	FA178962		2	SHOCK ABSORBER W/BUSHING
36	F178362		2	BEARING
37	F178889		1	SHAFT, SHOCK MOUNT UPPER
38	F213274		3	GREASE FITTING
39	F178632		1	SHAFT, SHOCK MOUNT LOWER
40	F1528		1	WELCH PLUG
41	FA85019		1	KINGPIN W/PLUG
42	F438169		2	BEARING
43	F1669		1	LOCK NUT
44	F369349		1	REVERSE LOCK

CONTINUED ON NEXT PAGE ➡

MOTOR LEG

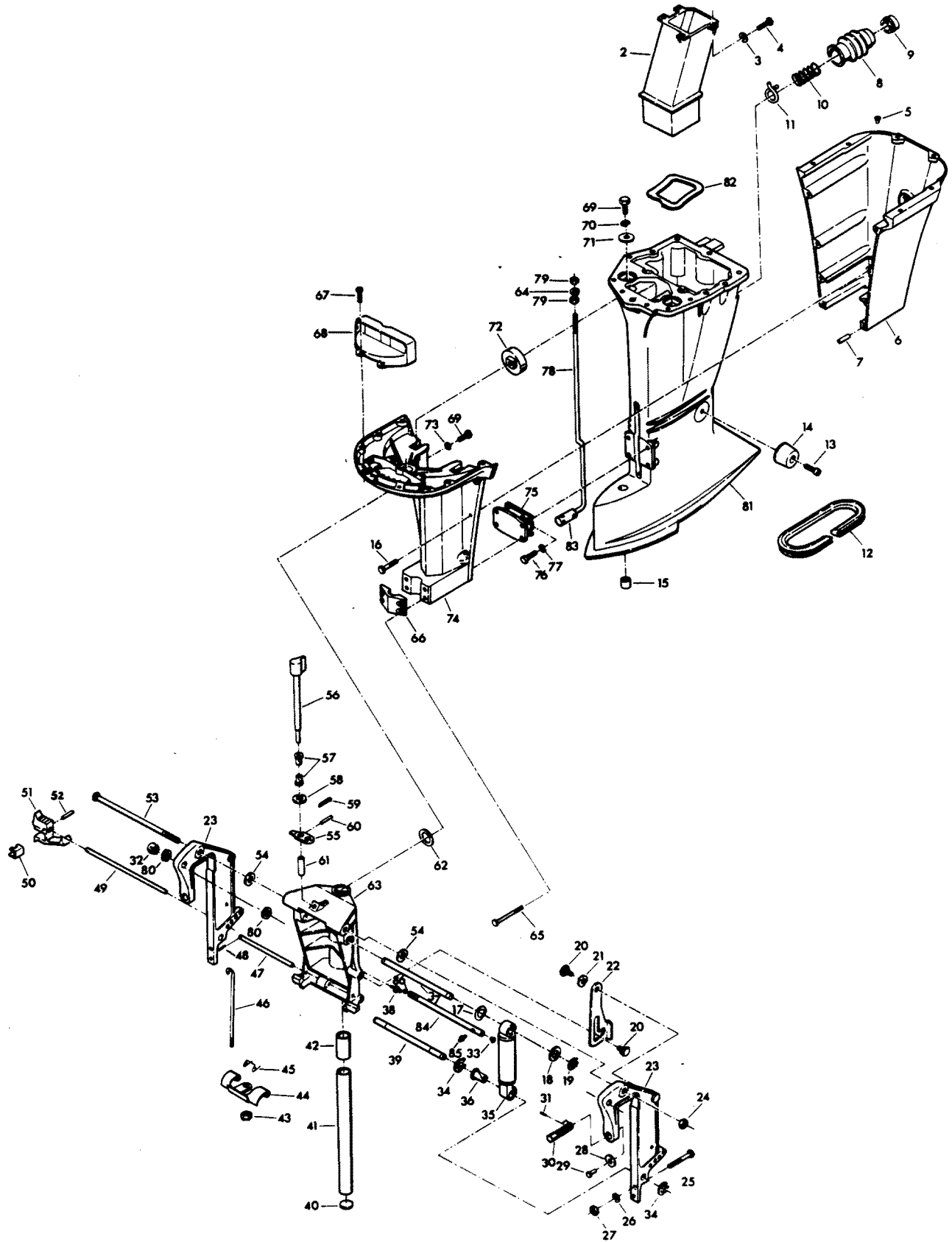


MOTOR LEG

REF. NO.	PART NO.	SYM.	QTY.	DESCRIPTION
45	F85300		1	REVERSE LOCK SPRING
46	F369510		1	LINK REVERSE LOCK
47	F177350		1	REVERSE LOCK PIN
48	F1744		1	SPRING PIN
49	FA438113		1	STERN BRACKET LOCK BAR W/HANDLE
50	F286461		1	SPRING, LOCK BAR HANDLE
51	F433114		1	HANDLE, LOCK BAR
52	F1744		1	SPRING PIN
53	F85037-1		1	STERN BRACKET PIVOT BOLT
54	F84286-1		4	FRICITION WASHER
55	F369364		1	REVERSE LOCK ARM
56	F369827		1	LEVER AND SHAFT
57	F197813		2	BEARING
58	F8094		1	PLAIN WASHER
59	F1014		1	COTTER PIN
60	F1836		1	SPRING PIN
61	F483884		1	BEARING
62	F84011		1	WASHER
63	817783A5		1	SWIVEL BRACKET W/BEARINGS AND GREASE FITTINGS
64	F1987		1	PLAIN WASHER
65	F1696		4	HEX BOLT 5/16 - 18 X 1 3/4
66	F85606		1	KINGPIN CAP
67	F1912		4	HEX HD SCREW 10 - 24 X 1/2
68	F85779-1		1	BAFFLE, AIR INTAKE
69	F1871		4	HEX HD SCREW 3/8 - 16 X 3/4
70	F2014		2	PLAIN WASHER
71	FA85355-1		4	WASHER
72	F85965		2	SHOCK MOUNT UPPER
73	F1703		2	SPRING LOCKWASHER
74	A85135-3		1	LEG COVER FRONT
75	F438346		1	SHOCK MOUNT LOWER
76	F1822		4	HEX BOLT 5/16 - 18 X 7/8
77	F8096		4	SPRING LOCKWASHER
78	F85615		1	GEAR SHIFT ROD UPPER
79	F2108		2	LOCK NUT
80	F523280		1	NUT, STEERING SUPPORT TUBE
81	F523133-2		1	MOTOR LEG
82	F439736		1	SEAL, EXHAUST TUBE
83	F85704		1	COUPLER, GEAR SHIFT ROD
84	F511125-2		1	TUBE, STEERING SUPPORT
85	F523274		1	GREASE FITTING
86	F316599		1	SEAL, STEERING SUPPORT TUBE
-	F474390-1		1	DECAL, REVERSE LOCK (NOT SHOWN)

CONTINUED ON NEXT PAGE ➡

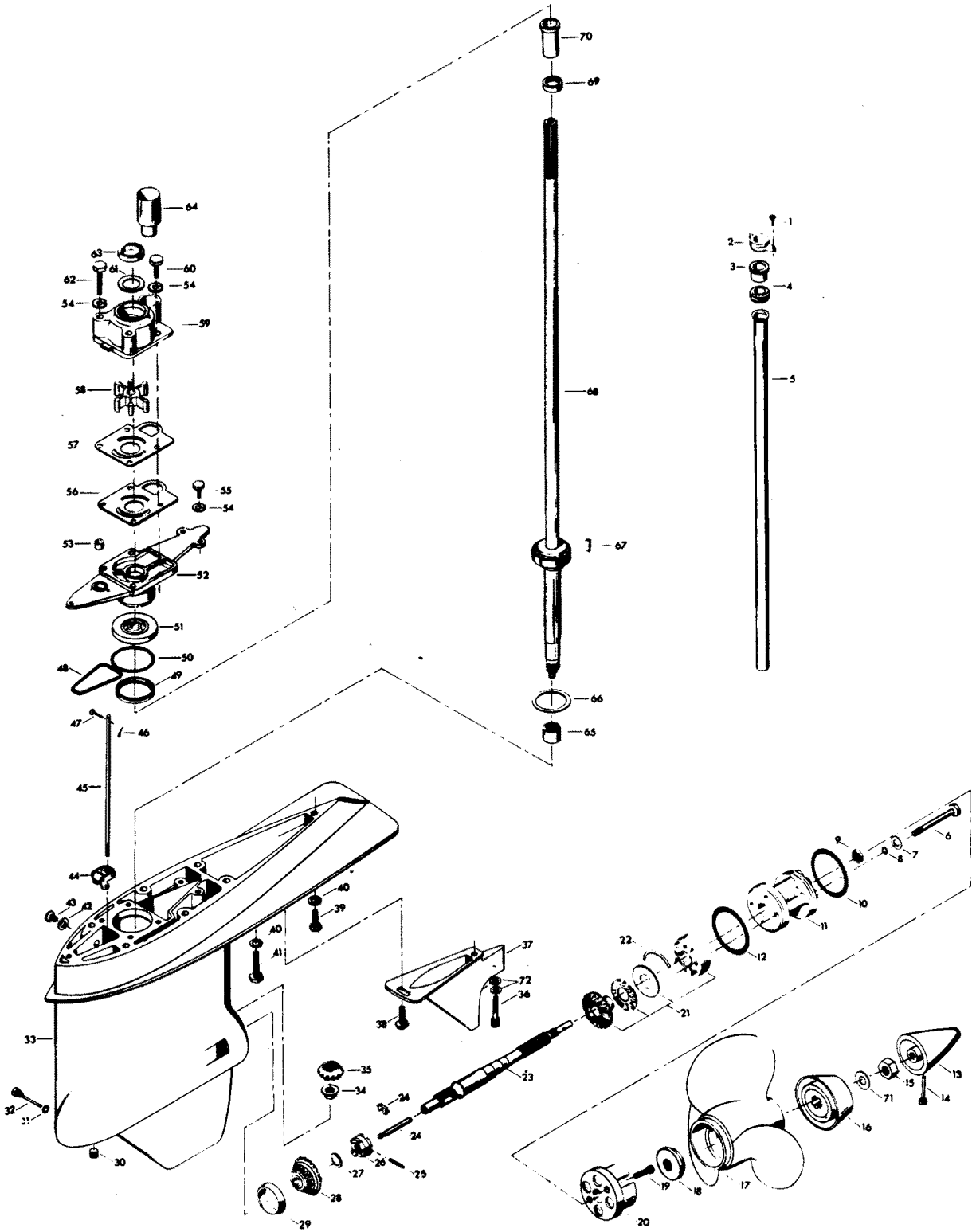
MOTOR LEG



MOTOR LEG

REF. NO.	PART NO.	SYM.	QTY.	DESCRIPTION
-	37-819450		1	DECAL, REVERSE LOCK - CANADA (NOT SHOWN)

GEAR HOUSING

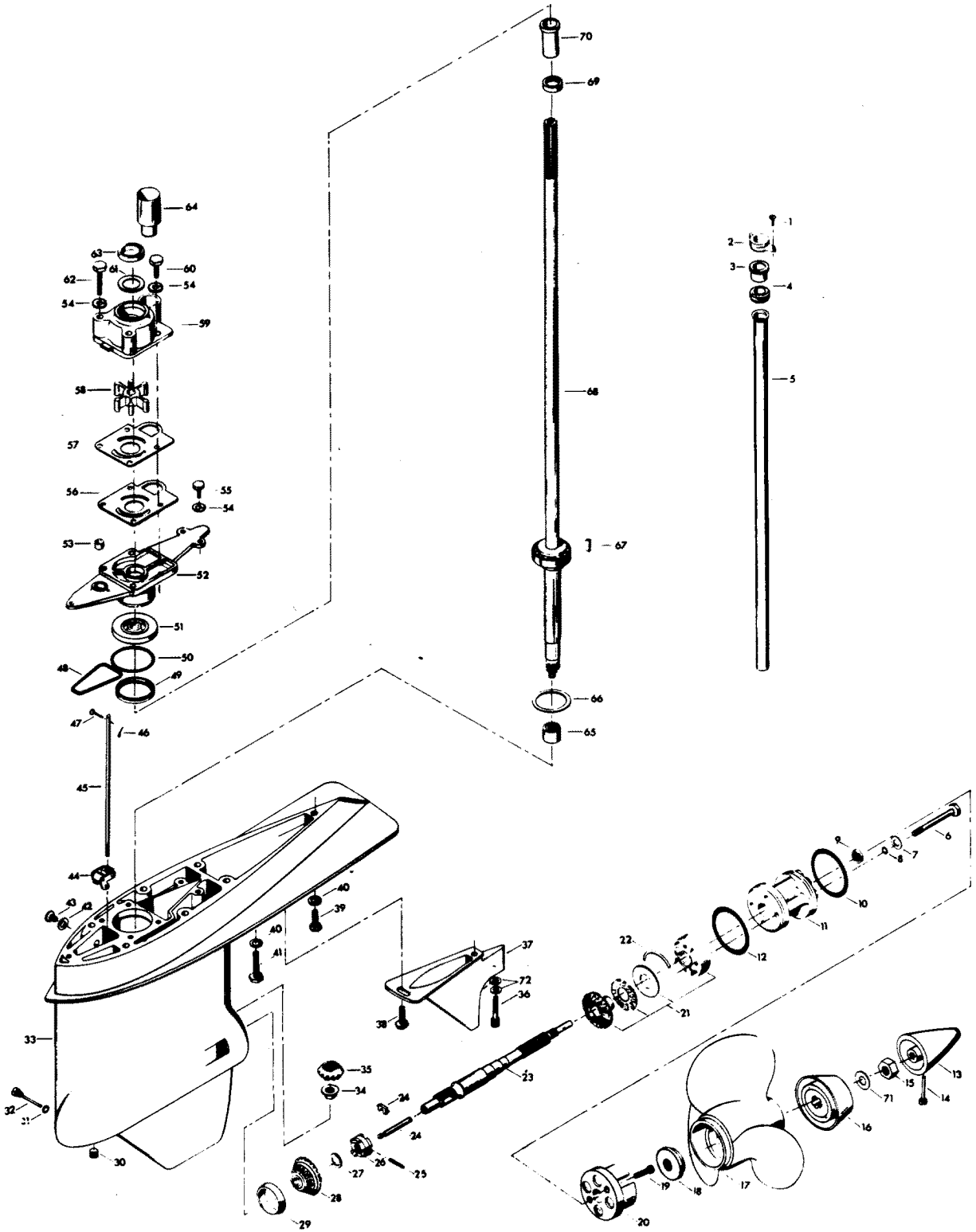


GEAR HOUSING

REF. NO.	PART NO.	SYM.	QTY.	DESCRIPTION
1	F1705		2	HEX CAP SCREW, 1/4 - 20 X 3/4
2	F85117		1	BRACKET, WATER LINE
3	F84342		1	SEAL, INLET WATER LINE, UPPER
4	F523899		1	GROMMET, WATER LINE
5	F523244		1	INLET WATER LINE
6	F1885		4	HEX CAP SCREW, 5/16 - 18 X 4 1/4
7	F1907		4	PLAIN WASHER
8	F50342-1		4	SEAL, "O" RING
9	F506118		1	SEAL, PROPELLER SHAFT
10	F24278		1	SEAL, "O" RING PROPELLER SHAFT SPOOL
11	F2A523239		1	SPOOL, PROPELLER SHAFT BEARING W/SEALS
12	F84305		1	SEAL, "O" RING PROPELLER SHAFT SPOOL
13	F523094-2		0	PROPELLER NUT
14	F90891		1	PIN, PROPELLER NUT RETAINING
15	F1788		1	STOP NUT
16	F523299-1		1	WASHER
17	FP524		1	PROPELLER - 115 H.P. (ACCESSORY ITEM)
18	F523099		1	SPACER, PROPELLER
19	F1577		2	FILL HD SCREW, 1/4 - 20 X 3/4
20	FA523485		1	ANTI-CORROSION ANODE
21	F2A523662		1	BEVEL GEAR REAR W/BEARING CAGE SPACER AND BEARING
22	F523411		2	RETAINING RING, BEARING CAGE
23	FA523098		1	PROPELLER SHAFT
24	FA84871-1		1	PIN, GEAR SHIFT W/YOKE
25	F1713		1	SPRING PIN
26	F84521-1		1	CLUTCH
28	F2A523023		1	BEVEL GEAR FRONT W/BEARING
29	F523813		1	BEARING CUP
30	F19109		1	PLUG
31	F8001		1	WASHER
32	F90891		1	PIN, GEAR SHIFT ARM
33	FA523054		1	GEAR HOUSG W/BEARG CUP, DRIVESHAFT BEARG LOWR, PLUGS & WSHR
34	F523188		1	NUT, BEVEL PINION
35	FA523266		1	BEVEL PINION GEAR W/CRUSH RING AND SHIMS
36	F1994		1	HEX SOCKET HD CAP SCREW, 5/16 - 18 X 1
37	F523116		1	EXHAUST SNOUT
38	F438930		1	RETAINER, SNOUT
39	F1858		1	HEX CAP SCREW, 5/16 - 18 X 1
40	F8096		7	SPRING LOCKWASHER
41	F1491		6	HEX HD SCREW, 5/16 - 18 X 3 1/4
42	F8077		2	WASHER, GEAR HOUSING PLUG
43	F50109		2	PLUG, GEAR HOUSING

CONTINUED ON NEXT PAGE ➡

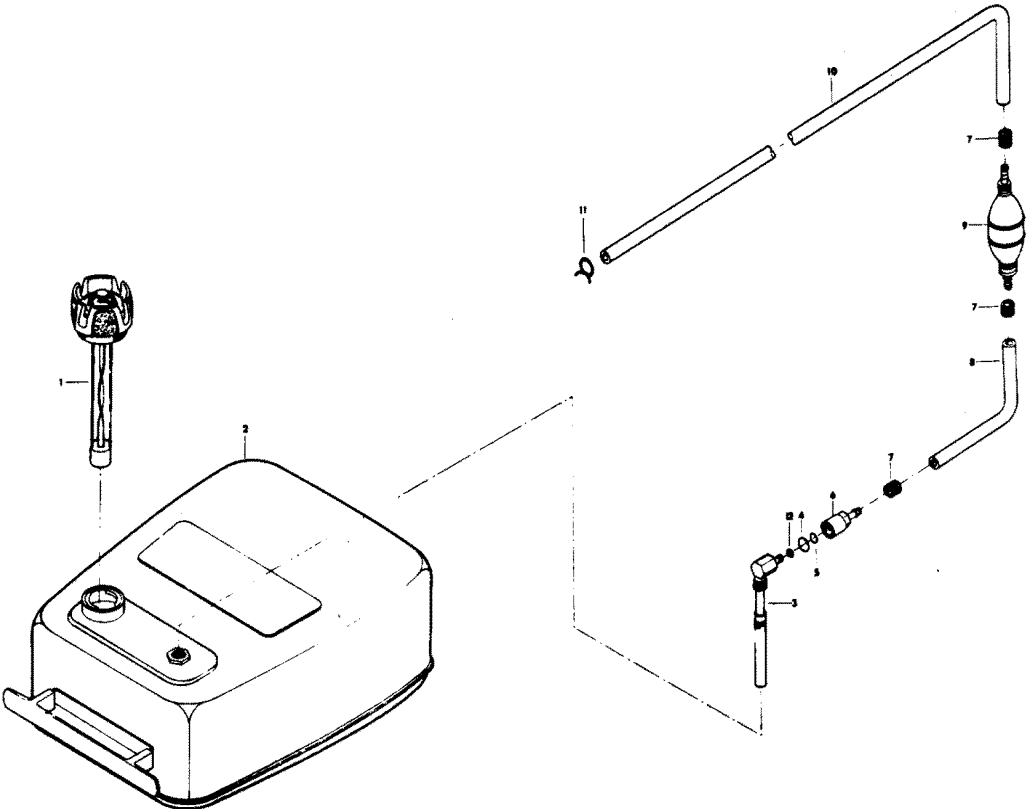
GEAR HOUSING



GEAR HOUSING

REF. NO.	PART NO.	SYM.	QTY.	DESCRIPTION
44	FA84621-1		1	COUPLING, GEAR SHIFT ARM W/BUSHING
45	F523705		1	GEAR SHIFT ROD LOWER
46	F1015		1	COTTER PIN
47	F85372		1	PIN, GEAR SHIFT ROD LOWER
48	F523555		1	SEAL, "O" RING, GEAR HOUSING COVER
49	F523961		1	CRUSH RING
50	F74305		1	SEAL, DRIVESHAFT BEARING CAGE
51	F84307-1		1	SEAL, DRIVESHAFT
52	FA523706		1	GEAR HOUSING COVER W/SEALS
53	F338618-1		1	SEAL, GEAR SHIFT ROD
54	F8083		7	SPRING LOCKWASHER
55	F1999		3	HEX CAP SCREW, 1/4 - 20 X 7/8
56	F523031		1	GASKET, WATER PUMP
57	F523562		1	PLATE, WATER PUMP
58	F523065		1	IMPELLER, WATER PUMP
59	FA523060		1	WATER PUMP BODY W/DRIVESHAFT SEAL, DISC AND WATERLINE SEAL
60	F1990		2	HEX CAP SCREW, 1/4 - 20 X 1 5/8
61	F480388		1	DISC, WATER PUMP LOCATING
62	F1425		2	HEX CAP SCREW, 1/4 - 20 X 1 5/8
63	F351307		1	SEAL, DRIVESHAFT - WATER PUMP
64	FA523735		1	SEAL, INLET WATER LINE, LOWER
65	F523057		1	BEARING, DRIVESHAFT LOWER
67	F523498		1	DRIVE KEY, WATER PUMP
68	45-818017A3		1	DRIVESHAFT W/BEARING, SHIMS AND CRUSH RING
69	F438271		1	RETAINER, CRANKSHAFT SPLINE SEAL
70	F438129		1	SEAL, DRIVESHAFT SPLINE
71	F1866		1	PLAIN WASHER
72	F1856		2	PLAIN WASHER
-	FC523054		1	GEAR HOUSING COMPLETE (INCLUDES ALL ITEMS MARKED WITH AN ASTERISK *).

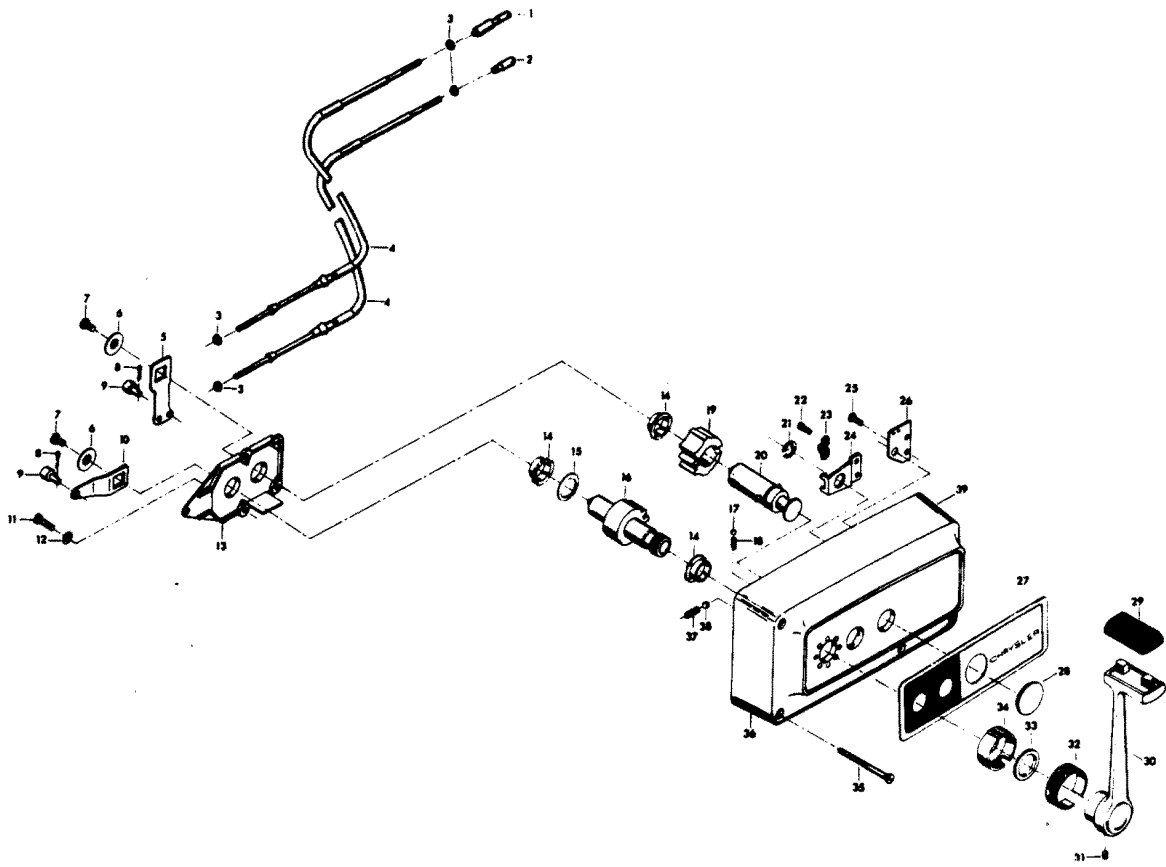
FUEL TANK AND LINE



FUEL TANK AND LINE

REF. NO.	PART NO.	SYM.	QTY.	DESCRIPTION
1	F409251-1		1	GAUGE CAP
2	F5H026		1	FUEL TANK (ACCESSORY ITEM)
3	F485755-1		1	FUEL TANK ADAPTER
4	F213342		1	SEAL, FUEL LINE COUPLER (LARGE)
5	F213735		1	SEAL, FUEL LINE COUPLER (SMALL)
6	F197787-3		1	FUEL LINE COUPLER
7	F298788		3	FERRULE
8	FA84754-1		1	FUEL LINE SHORT W/FERRULES
9	89396A38		1	PRIME BULB
10	32-817738A1		1	FUEL LINE LONG W/CLAMP AND FERRULE
11	F97772		1	FUEL LINE CLAMP
12	F17932		1	SEAL, FUEL LINE COUPLER
-	FS409752		1	FUEL LINE COMPLETE (NOT SHOWN)
-	FC409398		1	DECAL, TOTE TANK (NOT SHOWN)

REMOTE CONTROL

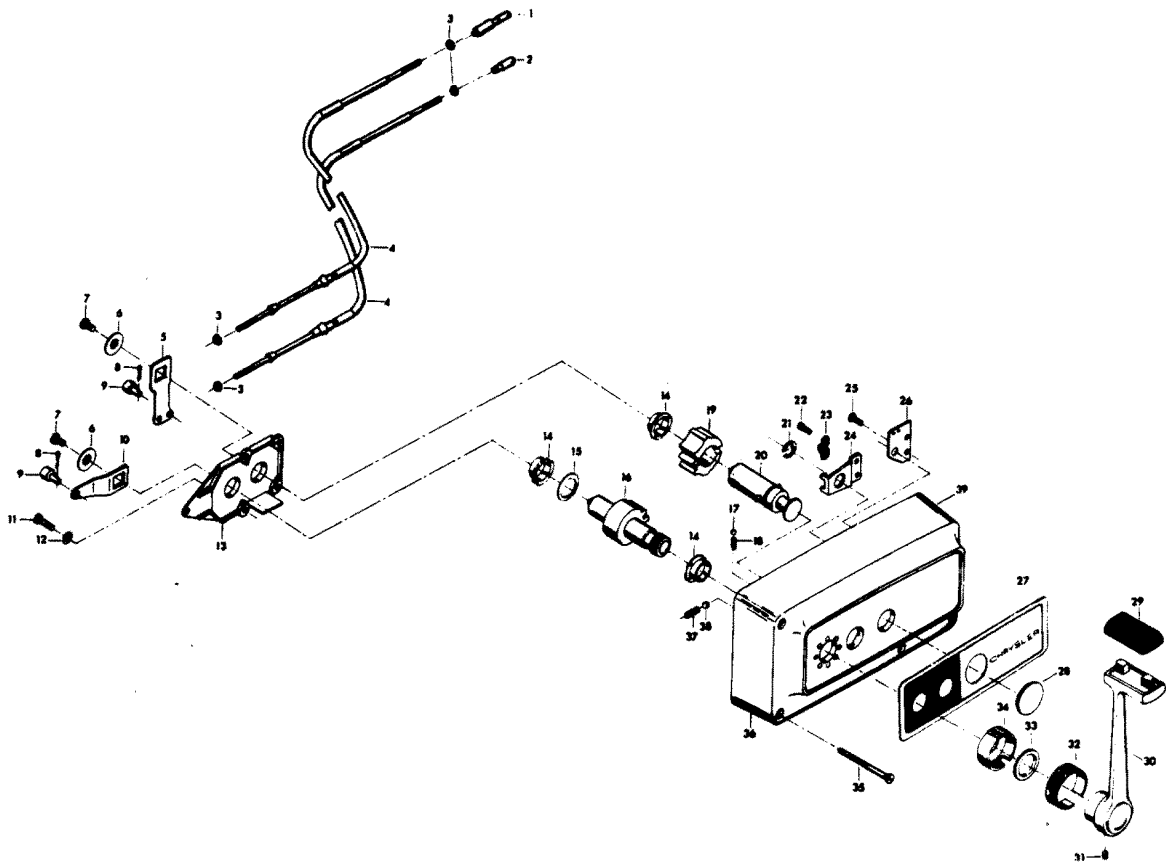


REMOTE CONTROL

REF. NO.	PART NO.	SYM.	QTY.	DESCRIPTION
1	FA58976-1		1	CONNECTOR, THROTTLE CABLE
2	F58685-2		1	CONNECTOR, SHIFT CABLE
3	F1513		4	HEX NUT
4	ÄF58356//		2	REMOTE CONTROL CABLE (SPECIFY LENGTH)
5	F17019		1	CLUTCH ARM
6	F17036		2	INTERNAL TOOTH LOCKWASHER
7	F1715		2	HEX BOLT, 1/4 - 28 X 9/16
8	F17015		2	COTTER PIN
9	F17016		2	CABLE TERMINAL
10	F17014		1	THROTTLE ARM
11	F17013		2	FILL HD SCREW, 1/4 - 20 X 1/2
12	F17020		2	INTERNAL TOOTH LOCKWASHER
13	F17012		1	RETAINING PLATE
14	F17009		3	BEARING
15	F17011		1	BOWED WASHER
16	F17010-1		1	THROTTLE GEAR
17	F17111		1	DETENT BALL
18	F17006		1	DETENT SPRING
19	F17021		1	CLUTCH GEAR
20	F17100		1	CLUTCH SHAFT
21	F17092		1	SNAP RING
22	F17107		2	FILL HD SCREW, 10 - 24 X 5/16
23	F154317		1	CABLE CLAMP
24	F17026		1	SWIVEL
25	F1557		2	FLAT HD SCREW, 10 - 24 X 3/8
26	F17112		1	JUNCTION BOARD, STARBOARD
-	F17113		1	JUNCTION BOARD, PORT
27	F17101		1	DECAL, STARBOARD
-	17102		1	DECAL, PORT
28	F17031		1	SNAP CAP
29	F17116		1	KNOB
30	F17115		1	HANDLE
31	F17030-1		1	SET SCREW
32	FK17114-1		1	INDICATOR
33	F17105		1	FELT WASHER
34	F17106		1	COLLAR
35	17108		3	WOOD SCREW

CONTINUED ON NEXT PAGE ➡

REMOTE CONTROL



REMOTE CONTROL

REF. NO.	PART NO.	SYM.	QTY.	DESCRIPTION
36	F17068		1	HOUSING
37	F17008		1	DETENT SPRING
38	F17082-1		1	DETENT HALL
39	F5H063		1	REMOTE CONTROL UNIT, SINGLE LEVER STARBOARD MOUNT (ACCESSORY ITEM)
-	F1280		2	PAN HD SCREW, 8 - 32 X 1/4 (TERMINAL BOARD) (NOT SHOWN)

SPECIAL TOOLS - TUNE-UP

REF. NO.	PART NO.	SYM.	QTY.	DESCRIPTION
-	FT8948-1		0	FLYWHEEL PULLER TO REMOVE FLYWHEEL.
-	FTA2937-1		0	TIMING TOOL TO SET INITIAL SPARK ADVANCE.
-	FT8978		0	POWER TIMING LIGHT FOR FINAL ADJUSTMENT OF SPARK ADVANCE.

SPECIAL TOOLS - POWER HEAD

REF. NO.	PART NO.	SYM.	QTY.	DESCRIPTION
-	FT8914		0	SEAL REMOVER TO REMOVE UPPER CRANKSHAFT BEARING CAGE SEAL.
-	FT8903		0	SEAL INSTALLER TO INSTALL UPPER CRANKSHAFT BEARING CAGE SEAL.
-	FT8927		0	SEAL PROTECTOR TO INSTALL UPPER CRANKSHAFT BEARING CAGE SEAL.
-	FT8907		0	DRIVE HANDLE USED WITH T8910, T8909, T8908 AND T8903.
-	FT8922		0	SLIDE HAMMER TO REMOVE UPPER CRANKSHAFT BEARING CAGE SEAL. ALSO USED TO REMOVE BEARING CUPS FROM PROPELLER SHAFT BEARING CAGE.
-	FT2953		0	SOCKET TO TORQUE CONNECTING ROD SCREWS.
-	FT2990		0	PISTON PIN TOOL TO REMOVE AND INSTALL PISTON PINS
-	FT2996		0	RING COMPRESSOR TO INSTALL PISTON RINGS.
-	FT8926		0	RING EXPANDER TO INSTALL PISTON RINGS.

SPECIAL TOOLS - GEAR HOUSING

REF. NO.	PART NO.	SYM.	QTY.	DESCRIPTION
-	FT8948-1		0	PROPELLER SHAFT BEARING CAGE PULLER TO REMOVE PROPELLER SHAFT BEARING CAGE FROM GEAR HOUSING.
-	FT8908		0	PROPELLER SHAFT SEAL INSTALLER TO INSTALL PROPELLER SHAFT SEAL IN PROPELLER SHAFT BEARING CAGE.
-	FT8915		0	PROPELLER SHAFT SEAL PROTECTOR TO INSTALL PROPELLER SHAFT SEAL IN PROPELLER SHAFT BEARING CAGE.
-	FT8925		0	DRIVESHAFT SEAL INSTALLER TO INSTALL DRIVESHAFT SEAL IN UPPER HOUSING.
-	FT8907		0	DRIVER HANDLE TO INSTALL BEARING CUPS AND SEALS.
-	FT8901		0	INDICATOR HOLDER USED IN CONJUNCTION WITH T8997.
-	FT8902		0	DIAL INDICATOR USED IN CONJUNCTION WITH T8997.
-	FT8919		0	SPRING PIN PUNCH TO REMOVE CLUTCH SPRING PIN.
-	FT8957		0	SEAL INSTALLER TO INSTALL SHIFT ROD SEAL.
-	FT8997		0	SHIMMING TOOL TO SHIM LOWER UNIT.

SPECIAL TOOLS - TEST EQUIPMENT

REF. NO.	PART NO.	SYM.	QTY.	DESCRIPTION
-	FT8933		0	LIFTING HOOK TO LIFT ENGINE.
-	FT8950		0	LEAKAGE TESTER TO TEST LOWER UNIT SEALS FOR LEAKAGE.
-	FTK8999		0	TEST WHEEL TO TEST MOTOR IN TEST TANK. ORIGINAL FORCE P/N TA8999

ACCESSORIES

REF. NO.	PART NO.	SYM.	QTY.	DESCRIPTION
-	F5H014		0	FLUSHING ADAPTER PERMITS FRESH WATER FLUSHING OF WATER PASSAGES WITH STANDARD GARDEN HOSE.
-	F5H063		0	SYNCHRO-DRIVE CONTROL BOX (SINGLE LEVER) PERMITS REMOTE CONTROL OF THROTTLE AND GEAR SHIFT FROM STARBOARD SIDE OF BOAT.
-	5H067		0	PORT SIDE DECAL KIT CONVERTS 72H36 CONTROL BOX TO PORT SIDE MOUNTING.
-	F590		0	SYNCHRO-DRIVE CONTROL HEAD (SINGLE LEVER) FLUSH MOUNT CONTROL UNIT PERMITS REMOTE CONTROL OF THROTTLE AND GEAR SHIFT. MAY BE MOUNTED ON PORT OR STARBOARD SIDE OF BOAT.
-	865		0	TWIN SYNCHRO-DRIVE CONTROL BOX PERMITS REMOTE CONTROL OF THROTTLE, AND GEAR SHIFT ON TWIN ENGINE INSTALLATIONS. MAY BE MOUNTED ON PORT OR STARBOARD SIDE OF BOAT.
-	F5H079		0	SYNCHRO-DRIVE CONTROL BOX FOR MOUNTING ON CONSOLE OF BOAT.
-	F5H080		0	TWIN SYNCHRO-DRIVE CONTROL BOX FOR MOUNTING ON CONSOLE OF BOAT.
-	F195/___		0	REMOTE CONTROL CABLES CONNECTS REMOTE CONTROL BOX TO THROTTLE AND GEAR SHIFT ON ENGINE. AVAILABLE IN 6 THROUGH 40 FOOT LENGTHS.
-	F165		0	REMOTE STEERING BRACKET ADAPTS ENGINE TO CABLE TYPE REMOTE STEERING.
-	F5H018		0	DUAL ENGINE TIE BAR PERMITS DUAL ENGINE INSTALLATIONS.
-	F5H026		0	STEEL, 6 GALLON FUEL TANK (LOW PROFILE)
-	F5H029		0	TANK ANCHOR SECURES 71H08 TO BOAT.
-	F5H040		0	STEEL, 12 GALLON FUEL TANK
-	F5H019		0	ANTI-CORROSION KIT ELECTRICAL KIT FOR MOUNTING ON BOAT (12V) TO REDUCE CORROSION.
-	F5H025		0	ANTI-CORROSION SACRIFICIAL ANODE KIT USED TO REDUCE CORROSION.
-	F5H043		0	OVERHEAT BUZZER SOUNDS WARNING BUZZER IF ENGINE OVERHEATS.
-	F5H010		0	POWER TRIM INDICATOR INDICATES ENGINE TRIM ANGLE. (FLUSH MOUNT)
-	5H061		0	FROST WHITE LACQUER ENGINE TOUCH-UP PAINT IN 16 OZ. SPRAY BOMBS (12 CANS PER CASE).
-	5H016		0	GOLD LACQUER ENGINE TOUCH-UP PAINT IN 6 OZ. SPRAY BOMBS (12 CANS PER CASE).
-	F5H044		0	TILT STOP KIT LIMITS TILTING ANGLE.
-	F5H064		0	EXHAUST SNOUT
-	F5H081		0	BATTERY CABLE LONGER LENGTH - 15 FEET.
-	F5H006		0	VOLTMETER - FLUSH MOUNT INDICATES BATTERY CONDITION.
-	F5H007		0	HOURLY METER - FLUSH MOUNT
-	F5H098		0	STEERING CONVERSION KIT
-	5H048		0	CANVAS HOOD PROTECTION FOR ENGINE COVER.

CONTINUED ON NEXT PAGE ➡

ACCESSORIES

REF. NO.	PART NO.	SYM.	QTY.	DESCRIPTION
-	5H051		0	BATTERY, 74 AMP 12 VOLT HEAVY DUTY BATTERY.
-	F5H021		0	EXTENSION CABLE FOR LENGTHENING BATTERY CABLE 6 1/2 FEET.
-	F5H037		0	CIGAR LIGHTER FOR USE AS CONVENIENCE OUTLET.
-	168		0	CONTROL PANEL FOR MOUNTING LAMPS, SWITCHES, ETC.
-	F5H008		0	FUEL GAUGE FLUSH MOUNT MONITORS FUEL SUPPLY.
-	F5H050		0	HYDRAULIC TILT HYDRAULIC UNIT TO RAISE AND LOWER THE LOWER UNIT WHEN BEACHING OR TRAILERING BOAT.
-	F5H077		0	IGNITION KEY SWITCH SHORT BARREL WITH KEYS.
-	F5H078		0	IGNITION KEY SWITCH LONG BARREL WITH KEYS.
-	F762		0	REMOTE ELECTRIC CABLE 25 FOOT CABLE FOR LARGE BOATS.
-	F5H070		0	REMOTE ELECTRIC CABLE 21 FOOT CABLE FOR LARGE BOATS.
-	F5H028		0	SENDING UNIT FOR USE WITH FUEL GAUGE.
-	F5H005		0	TEMPERATURE GAUGE - FLUSH MOUNT MONITORS ENGINE TEMPERATURE. DO NOT USE TEMPERATURE GAUGE AND HEAT LAMP IN SAME INSTALLATION.
-	5H011		0	TACHOMETER FLUSH MOUNT MONITORS ENGINE R.P.M. TO PROVIDE CHECK OF ENGINE PERFORMANCE.
-	F5H074		0	WATER PUMP KIT HEAVY DUTY WATER PUMP KIT.
-	F5H042		0	POWER TRIM ADJUSTS ENGINE TRIM AND TILTS ENGINE.
-	F5H004		0	SPEEDOMETER FLUSH MOUNT MONITORS BOAT SPEED (0 - 50 M.P.H.)
-	F5H076		0	SWITCH EXTENSION CABLE 5 FOOT LONG SWITCH WIRING HARNESS.
-	F5H003		0	SPEEDOMETER FLUSH MOUNT MONITORS BOAT SPEED (TO 100 KM/H)
-	F5H115		0	TRAILERING TILT LOCK
-	F5H013		0	REMOTE CONTROL HANDLE TRIM SWITCH

SPECIFICATIONS

REF. NO.	PART NO.	SYM.	QTY.	DESCRIPTION
-			0	HORSEPOWER 115 B.I.A CERTIFIED BRAKE H.P. AT 5250 R.P.M.
-			0	MOTOR TWO CYCLE, FOUR CYLINDER ALTERNATE FIRING.
-			0	BORE AND STROKE 115 H.P. - 3 5/16" BORE X 2.8" STROKE.
-			0	DISPLACEMENT 115 H.P. - 96.55 CUBIC INCHES.
-			0	CONNECTING RODS NICKEL STEEL. CAGED NEEDLE BEARINGS AT CRANKSHAFT. FULL COMPLIMENT NEEDLE BEARINGS AT PISTON PIN.
-			0	CRANKSHAFT NICKEL STEEL. BALL BEARINGS AT UPPER MAIN. CAGED NEEDLE BEARINGS AT CENTER MAIN AND CASED NEEDLE BEARINGS AT LOWER MAIN.
-			0	CORROSION PROTECTION ALODINE TREATED CASTINGS, STAINLESS STEEL DRIVE SHAFT, PROPELLER SHAFT, GEAR SHIFT ROD AND UNDERWATER FASTENERS.
-			0	FUEL SYSTEM VACUUM TYPE FUEL PUMP. FLOAT FEED CARBURETOR WITH FIXED HIGH SPEED JET AND ADJUSTABLE LOW SPEED JET.
-			0	FUEL FILTERS FILTER SCREENS IN FUEL TANK AND FUEL PUMP.
-			0	STARTER ELECTRIC.
-			0	COOLING WATER COOLED, THERMOSTATICALLY CONTROLLED. POSITIVE DISPLACEMENT TYPE WATER PUMP.
-			0	TRANSOM HEIGHT 15" OR 20", DEPENDING ON MODEL.
-			0	WEIGHT 248 LBS. - 250 LBS. FOR SHORT SHAFT MODELS.
-			0	TILT LOCK POSITIVE TILT LOCK PERMITS ENGINE TO REMAIN IN TILTED POSITION WHEN NOT IN USE.
-			0	RECOMMENDED OPERATING RANGE 115 H.P. - 5500-5500 R.P.M.
-			0	FUEL TANK SEPARATE STEEL, 6 U.S. GALLON, 5 IMPERIAL GALLON CAPACITY.

LUBRICATION CHART

REF. NO.	PART NO.	SYM.	QTY.	DESCRIPTION
-			0	GEAR HOUSING SEE BLOCK COMMENT 1.
-			0	CONTROL LINKAGE LUBRICATE ALL MOVING PARTS AND CONTROL LINKAGE WITH RYKON #2 EP, PART #T-2961 TWICE EACH SEASON OR OFTENER IF REQUIRED.
-			0	STERN BRACKET LUBRICATE STERN BRACKET AND ASSOCIATED PARTS WITH RYKON #2 EP, PART #T-2961 TWICE EACH SEASON OR OFTENER IF REQUIRED.
-			0	GREASE FITTINGS GREASE FITTINGS ARE PROVIDED AT CRITICAL POINTS WHERE BEARING SURFACES ARE NOT EXPOSES EXTERNALLY. USING AN AUTOMOTIVE - TYPE GREASE GUN AND LUBRICANT, GREASE TWICE EACH SEASON OR OFTENER IF REQUIRED.
-			0	STARTER PINION GEAR LUBRICATE WITH RYKON #2 EP, PART NO, T2961, TWICE EACH SEASON OR OFTENER IF REQUIRED.

SPECIAL ADJUSTMENTS

REF. NO.	PART NO.	SYM.	QTY.	DESCRIPTION
-			0	SPARK PLUG CHAMPION (L20V)
-			0	SPARK PLUG CHAMPION (QL-76V) FOR MODEL 1157HA.
-			0	FLYWHEEL NUT TORQUE TO 90 FOOT POUNDS.
-			0	CYLINDER HEAD BOLT

PARTS INDEX

Part Number	Description	Pg.	Ref. No.	Part Number	Description	Pg.	Ref. No.
ÄF58356//	REMOTE CONTROL CABLE (SPECIFY LENGTH)	47	4	F1099	FILL HD SCREW, 1/4 - 20 X 1 1/4	27	55
14048-2	PREAMPLIFIER	13	17	F1107	SLOTTED FILL HD CAP SCREW, 1/4 - 20 X 3/4	27	76
14055	SWIVEL	13	13	F1108	FILL HD SCREW, 1/4 - 20 X 3/4	21	13
168	CONTROL PANEL	55	-	F1187	HEX HD SCREW, 1/4 - 20 X 1	27	43
17102	DECAL, PORT	47	-	F1203	HEX CAP SCREW, 1/4 - 20 X 7/8	29	107
17108	WOOD SCREW	47	35	F1236	SCREW, 1/4 - 20 X 1/2	21	22
480373	DECAL, MAGNAPOWER IGNITION (NOT SHOWN)	9	-	F1238	HEX CAP SCREW, 1/4 - 20 X 3/4	3	14
481373-1	DECAL, "ELECTRONIC" (NOT SHOWN)	15	-	F1238	HEX CAP SCREW, 1/4 - 20 X 3/4	27	54
5H011	TACHOMETER FLUSH MOUNT	55	-	F1253	HEX SOCKET HD CAP SCREW, 3/8 - 16 X 2	25	9
5H016	GOLD LACQUER	54	-	F1263	HEX SOCKET HD CAP SCREW 5/16 - 18 X 9/16	35	13
5H048	CANVAS HOOD	54	-	F1280	PAN HD SCREW, 8 - 32 X 1/4	7	33
5H051	BATTERY, 74 AMP	55	-	F1280	PAN HD SCREW, 8 - 32 X 1/4 (TERMINAL BOARD) (NOT SHOWN)	49	-
5H061	FROST WHITE LACQUER	54	-	F1286	PAN HD SCREW, 4 - 40 X 3/16	25	39
5H067	PORT SIDE DECAL KIT	54	-	F1341	HEX NUT, 1/4 - 20	25	21
817747--1	BALL JOINT W/STUD	21	23	F1346	HEX NUT	21	29
817747--1	BALL JOINT W/STUD	25	25	F1346	HEX NUT	35	27
817783A5	SWIVEL BRACKET W/BEARINGS AND GREASE FITTINGS	37	63	F14005-2	CAP BASE	13	37
817786A1	DISTRIBUTOR PULLEY	13	3	F14007	CAP SCREW	13	33
817788A3	SPACER PLATE W/PLUG	27	73	F14010-1	CAP COVER	13	34
817828A1	DISTRIBUTOR	15	-	F14012-1	BRUSH	13	39
817931A7	MOTOR LEG COVER REAR	35	6	F14015	CAP CLIP RIVET	13	21
817932A6	TOWER SHAFT W/SWIVEL, BEARINGS AND SCREWS	25	19	F14017	TERMINAL INSULATOR (OUTSIDE)	15	46
817993A2	PISTON .010 OVERSIZE (NOT SHOWN)	33	-	F14021-1	CAP SEAL	13	36
85872-1	BRACKET	27	59	F14024	SPACER	13	42
865	TWIN SYNCHRO-DRIVE CONTROL BOX	54	-	F14025	SPACER	13	4
89396A38	PRIME BULB	45	9	F14028	THRUST WASHER	13	5
A476010-1	CYLINDR W/CRANKCSE COVR, PARTNG LINE SEAL, SCRWS & DOWL PINS	25	1	F14029	THRUST WASHER	13	7
A85135-3	LEG COVER FRONT	37	74	F14030	CAP GASKET	13	38
AC16395-8	IDENTIFICATION PLATE W/SCREWS FOR CANADA MODELS	3	-	F14037	CAP CLIPS	13	14
C476010-2	SHORT BLOCK	29	-	F14038	CAP CLIP SCREWS	13	15
C523227	SPARK PLUG (CHAMPION QL-76V) FOR MODELS 1157B8A	27	-	F14040	VENT	13	35
F10023	GASKET SET (NOT SHOWN)	19	-	F14041	EXTERNAL TOOTH LOCKWASHER	13	23
F10051	REPAIR PARTS KIT	19	-	F14042	DISTRIBUTOR HOUSING W/BEARINGS	13	12
F1009	HEX HD SCREW, 3/8 - 16 X 2 3/4	25	5	F14044	DISTRIBUTOR SHAFT	13	40
F1014	COTTER PIN	17	30	F14045	SCREW	13	16
F1014	COTTER PIN	37	59	F14046	TERMINAL SCREW	13	19
F1015	COTTER PIN	43	46	F14047	TERMINAL INSULATOR (INSIDE)	13	20
F1034	PAN HD SCREW, 1/4 - 20 X 1 3/8	17	6	F14049	TERMINAL INSULATOR (OUTSIDE)	13	22
F1052	FILL HD SCREW, 1/4 - 20 X 1	25	22	F1425	HEX CAP SCREW, 1/4 - 20 X 1 5/8	43	62
F1059	FILL HD SCREW, 6 - 32 X 1/4	17	43	F1447	ROUND HD SCREWS, 2 X 3/16	3	19
F1064	FILL HD SCREW, 8 - 32 X 3/8	17	3	F1473	HEX NUT	3	36

PARTS INDEX

Part Number	Description	Pg.	Ref. No.	Part Number	Description	Pg.	Ref. No.
F1491	HEX HD SCREW, 5/16 - 18 X 3 1/4	41	41	F1693	TIE BAR RETAINER NUT	17	4
F1502	HEX CAP SCREW, 1/4 - 20 X 5/8	3	20	F1696	HEX BOLT 5/16 - 18 X 1 3/4	37	65
F1502	HEX CAP SCREW, 1/4 - 20 X 5/8	11	15	F1699	HEX HD SCREW, 1/4 - 20 X 1 1/8	25	8
F1502	HEX CAP SCREW, 1/4 - 20 X 5/8	21	5	F17006	DETENT SPRING	47	18
F1502	HEX CAP SCREW, 1/4 - 20 X 5/8	27	48	F17008	DETENT SPRING	49	37
F15034	SPRING SET	11	19	F17009	BEARING	47	14
F15054	BRUSH AND TERMINAL SET	11	11	F17010-1	THROTTLE GEAR	47	16
F15057	BRUSH PLATE AND HOLDER ASSEMBLY	11	20	F17011	BOWED WASHER	47	15
F15099	ARMATURE	11	9	F17012	RETAINING PLATE	47	13
F15118	BENDIX DRIVE ASSEMBLY	11	5	F17013	FILL HD SCREW, 1/4 - 20 X 1/2	47	11
F15125	HEAD ASSEMBLY, COMMUTATOR END	11	18	F17014	THROTTLE ARM	47	10
F15126	THRUST WASHER PACKAGE	11	8	F17015	COTTER PIN	47	8
F1513	HEX NUT	7	18	F17016	CABLE TERMINAL	47	9
F1513	HEX NUT	47	3	F17019	CLUTCH ARM	47	5
F1513	HEX NUT, 10 - 32	21	27	F17020	INTERNAL TOOTH LOCKWASHER	47	12
F1513	HEX NUT, 10 - 32	25	27	F17021	CLUTCH GEAR	47	19
F1515	HEX NUT	7	24	F17026	SWIVEL	47	24
F15166	FRAME AND FIELD ASSEMBLY	11	10	F1703	LOCKWASHER	27	71
F15167	HEAD ASSEMBLY, DRIVE END	11	7	F1703	SPRING LOCKWASHER	37	73
F15168	THRU BOLT PACKAGE	11	14	F17030-1	SET SCREW	47	31
F1528	WELCH PLUG	35	40	F17031	SNAP CAP	47	28
F154317	CABLE CLAMP	47	23	F17036	INTERNAL TOOTH LOCKWASHER	47	6
F1556	FILL HD SCREW W/LOCKWASHER, 10 - 24 X 3/8	25	23	F1704	INTERNAL TOOTH LOCKWASHER	23	49
F1557	FLAT HD SCREW, 10 - 24 X 3/8	47	25	F1705	HEX CAP SCREW, 1/4 - 20 X 3/4	7	23
F1577	FILL HD SCREW, 1/4 - 20 X 3/4	41	19	F1705	HEX CAP SCREW, 1/4 - 20 X 3/4	41	1
F1593	HEX HD SCREW 3/8 - 16 X 3	35	25	F17068	HOUSING	49	36
F1612	HEX CAP SCREW, 3/8 - 16 X 1 1/4	13	8	F17082-1	DETENT HALL	49	38
F1641	LOCK NUT 1/4 - 28	11	6	F1709	HEX BOLT, 1/4 - 20 X 1 1/8	29	87
F1645	HD. SCREW, 6 - 32 X 1/4	7	27	F17092	SNAP RING	47	21
F1645	RD HD SCREW, 6 - 32 X 1/4	23	50	F1710	PLAIN WASHER	35	18
F1647	HEX NUT, 8 - 32	7	6	F17100	CLUTCH SHAFT	47	20
F1647	HEX NUT, 8 - 32	13	24	F17101	DECAL, STARBOARD	47	27
F1647	HEX NUT, 8 - 32	29	96	F17105	FELT WASHER	47	33
F1648	PAN HD SCREW, 10 - 24 X 3/4	7	16	F17106	COLLAR	47	34
F165	REMOTE STEERING BRACKET	54	-	F17107	FILL HD SCREW, 10 - 24 X 5/16	47	22
F1664	SPRING PIN	35	7	F1711	SPRING BOWED WASHER	35	17
F1666	SPRING BOWED WASHER	35	21	F17111	DETENT BALL	47	17
F1669	LOCK NUT	35	43	F17112	JUNCTION BOARD, STARBOARD	47	26
F1678	FILL HD SCREW, 10 - 24 X 13/16	7	2	F17113	JUNCTION BOARD, PORT	47	-
F1689	HEX HD CAP SCREW, 1/4 - 20 X 1/2	9	42	F17115	HANDLE	47	30
F1692	WOODRUFF KEY	13	41	F17116	KNOB	47	29
				F1713	SPRING PIN	41	25
				F1715	HEX BOLT, 1/4 - 28 X 9/16	47	7
				F1727	PLASTIC RIVET	25	20
				F1729	PLUG	35	5
				F1730	PAN HD SCREW W/SPRING LOCKWASHER, 1/4 - 20 X 5/8	5	44
				F1733	PAN HD MACHINE SCREW, 10 - 24 X 9/16	3	2

PARTS INDEX

Part Number	Description	Pg.	Ref. No.	Part Number	Description	Pg.	Ref. No.
F1741	PAN HD SCREW, 8 X 3/4	7	35	F1866	PLAIN WASHER	43	71
F1744	SPRING PIN	37	48	F1867	HEX CAP SCREW, 3/8 - 16 X 1	33	19
F1744	SPRING PIN	37	52	F1869	HEX CAP SCREW, 3/8 - 16 X 1 1/4	27	70
F1753	FASTENER	3	38	F1871	HEX HD SCREW 3/8 - 16 X 3/4	37	69
F1755	ROUND HD SCREW W/LOCKWASHER, 6 - 32 X 1/4	21	38	F1872	HEX CAP SCREW, 3/8 - 16 X 1 3/4	25	12
F1759	SHIM, DISTRIBUTOR (QTY. AS REQUIRED)	13	11	F1873	HEX CAP SCREW, 3/8 - 16 X 3	27	50
F1760	PAN HD SCREW, 10 - 24 X 3/8	7	19	F1874	HEX HD SCREW, 3/8 - 16 X 3 1/8	25	2
F1760	PAN HD SCREW, 10 - 24 X 3/8	13	25	F1877	TY-RAP	7	29
F1760	PAN HD SCREW, 10 - 24 X 3/8	25	3	F1885	HEX BOLTS, S.S., 5/16 - 18 X 4 1/4	27	64
F177330	FUEL PUMP VALVE	21	10	F1885	HEX CAP SCREW, 5/16 - 18 X 4 1/4	41	6
F177350	REVERSE LOCK PIN	37	47	F1892	STOP NUT	9	52
F178168-1	CARBURETOR ADAPTOR	29	-	F1904	PLAIN WASHER	35	26
F178168-1	GASKET, CARBURETOR ADAPTER	21	35	F1907	PLAIN WASHER	41	7
F178173	RETAINING RING	35	34	F1910	STOP NUT, 1/4 - 20	21	25
F178208	RETAINING RING	35	19	F19109	PLUG	27	60
F178323	SEAL, MOTOR LEG	35	12	F19109	PLUG	41	30
F178362	BEARING	35	36	F1912		37	67
F178404-1	DEFLECTOR PLATE	21	36	F1914	HEX HD SCREW, 1/4 - 20 X 3/4	25	11
F178632	SHAFT, SHOCK MOUNT LOWER	35	39	F1915	HEX HD SCREW, 1/4 - 20 X 7/8	23	44
F178754-1	FUEL LINE	17	36	F1915	HEX HD SCREW, 1/4 - 20 X 7/8	25	6
F1788	STOP NUT	41	15	F1934	FLAT HD SLOTTED SCREW, 6 X 12	9	50
F178889	SHAFT, SHOCK MOUNT UPPER	35	37	F1935	PLAIN WASHER	25	42
F17932	SEAL, FUEL LINE COUPLER	45	12	F195/_	REMOTE CONTROL CABLES	54	-
F18160-2	CYLINDER DRAIN REED	25	36	F1950	HEX CAP SCREW, 10 - 24 X 5/8	29	91
F1822	HEX BOLT 5/16 - 18 X 7/8	37	76	F1953	HEX HD SCREW, 1/4 - 20 X 1	21	20
F1831	FLAT HD SCREW, 1/4 - 20 X 5/8	21	43	F1953	HEX HD SCREW, 1/4 - 20 X 1	25	16
F1832	STOP NUT, 1/4 - 20	27	68	F1968	FLYWHEEL NUT	33	21
F1836	SPRING PIN	37	60	F1975	SPRING LOCKWASHER	7	10
F184033-1	SWIVEL, TOP CARBURETOR	17	33	F1975	SPRING LOCKWASHER	13	28
F184122-1	SEAL	29	-	F197787-3	FUEL LINE COUPLER	45	6
F184122-1	SEAL, PARTING LINE	29	101	F197813	BEARING	37	57
F184579	"O" RING SEAL	17	32	F1987	PLAIN WASHER	27	79
F1849	HEX HD CAP SCREW, 1/4 - 20 X 1 3/8	5	47	F1987	PLAIN WASHER	37	64
F1851	FILL HD SCREW W/LOCKWASHER, 10 - 24 X 1/2	7	39	F1990	HEX CAP SCREW, 1/4 - 20 X 1 5/8	43	60
F1854	HEX CAP SCREW, 1/4 - 20 X 5/8	3	25	F1994	HEX SOCKET HD CAP SCREW, 5/16 - 18 X 1	41	36
F1856	PLAIN WASHER	43	72	F1997	STOP NUT, 8 - 32	17	23
F1857	HEX CAP SCREW, 5/16 - 18 X 5/8	3	23	F1999	HEX CAP SCREW, 1/4 - 20 X 7/8	43	55
F1857	HEX CAP SCREW, 5/16 - 18 X 5/8	3	35	F2000	HEX CAP SCREW, 5/16 - 18 X 3/4	9	47
F1858	HEX CAP SCREW, 5/16 - 18 X 1	3	24	F2000	HEX CAP SCREW, 5/16 - 18 X 3/4	29	99
F1858	HEX CAP SCREW, 5/16 - 18 X 1	41	39	F2001	FILL HD SCREW, 10 - 24 X 5/8	7	9
F1860	RD HD SCREW, 6 - 32 X 1/4	21	9				

PARTS INDEX

Part Number	Description	Pg.	Ref. No.	Part Number	Description	Pg.	Ref. No.
F2014	PLAIN WASHER	13	9	F316579	SEAL, CRANKCASE	33	11
F2014	PLAIN WASHER	37	70	F316599	SEAL, STEERING SUPPORT TUBE	37	86
F2015	HEX NUT, 1/4 - 28	29	102	F321756	PACKING, COVER	3	31
F2016	FILL HD SCREW, 6 - 32 X 7/8	23	48	F321841-3	LEAD WIRE	13	32
F2030	HEX HD M. SCREW 1/4 - 20 X 1-1/4	35	16	F322273	STUD, C.D. UNIT	9	48
F203276	BOOT	13	30	F333316	THROTTLE ROLLER SHAFT	17	19
F2033	GROOVE PIN	17	39	F335215	SPACER, PISTON PIN (2 PER PISTON)	33	3
F203673	TERMINAL CLIP	13	31	F335217-1	BEARING, PISTON PIN (26 PER SET)	33	5
F2042	PLAIN WASHER	29	106	F335654-1	DEFLECTION STOP	3	21
F2047	WAVE SPRING LOCKWASHER	3	30	F338618-1	SEAL GEAR SHIFT ROD	35	15
F2049	HEX CAP SCREW, 5/16 - 18 X 2 5/8	27	78	F338618-1	SEAL, GEAR SHIFT ROD	43	53
F2066	PAN HD TAPPING SCREW, 10 X 7/16 (TRIM TO COVER)	3	40	F345475-1	COIL	9	44
F2067	PLASTISOL CAP (NOT SHOWN)	33	-	F345683	WIRE, REGULATOR-RECTIFIER GROUND	7	5
F2088	FASTENER	5	45	F351307	SEAL, DRIVESHAFT - WATER PUMP	43	63
F2089	SLOTTED PAN HD M. SCREW, 10 - 24 X 5/16	29	105	F353480	STUD	35	29
F2090	PLUG	27	74	F369349	REVERSE LOCK	35	44
F2108	LOCK NUT	37	79	F369364	REVERSE LOCK ARM	37	55
F2108	STOP NUT, 5/16 - 18	27	67	F369510	LINK REVERSE LOCK	37	46
F213274	GREASE FITTING	13	27	F369610	BEARING	27	62
F213274	GREASE FITTING	35	38	F369827	LEVER AND SHAFT	37	56
F213342	SEAL, FUEL LINE COUPLER (LARGE)	45	4	F369887	SHOULDER SCREW	27	61
F213735	SEAL, FUEL LINE COUPLER (SMALL)	45	5	F369977-1	INTERLOCK ARM	27	63
F24278	SEAL, "O" RING PROPELLER SHAFT SPOOL	41	10	F372151-1	EXHAUST PORT PLATE	29	90
F269319	THROTTLE CAM BEARING	21	26	F372152-1	EXHAUST PORT COVER	29	88
F284659-2	BEARING, CRANKSHAFT UPPER MAIN	33	22	F372154-1	EXHAUST PLATE	29	-
F286461	SPRING, LOCK BAR HANDLE	37	50	F372154-1	GASKET, EXHAUST PORT PLATE	29	89
F289446-1	CLAMP	7	12	F372529	CYLINDER HEAD	29	-
F298788	FERRULE	45	7	F372958	CHOKE BRACKET	21	19
F2A476757	CYLINDER DRAIN REED PLATE W/REEDS, STOPS AND SCREWS	25	35	F373778-1	RETAINER, ENGINE COVER	3	37
F2A523023	BEVEL GEAR FRONT W/BEARING	41	28	F381896-4	BATTERY CABLE	7	30
F2A523158	REED PLATE W/REEDS, REED STOPS AND SCREWS	21	41	F391926-1	PLUNGER	17	41
F2A523239	SPOOL, PROPELLER SHAFT BEARING W/SEALS	41	11	F391983	RETAINING BAND	9	51
F2A523662	BEVEL GEAR REAR W/BEARING CAGE SPACER AND BEARING	41	21	F40223	GASKET, TRANSFER PORT COVER	27	52
F2S480179	TRIM TOP	3	1	F40223	TRANSFER PORT COVER	29	-
F2S480269	TILT HANDLE	3	3	F404097	FLYWHEEL	7	1
F2S489180	TRIM REAR	3	6	F404268	BY-PASS VALVE SPRING	29	94
F2S489888	TRIM FRONT	5	43	F404314	ELBOW, FUEL PUMP COVER FITTING	27	47
F307317	CLIP, TERMINAL BLOCK	7	17	F404314	FITTING	27	47
F310189	BUSHING, ELECTRIC CABLE	3	16	F404470-1	REGULATOR-RECTIFIER	7	8
F311189-1	BUSHING, CABLE ENTRY	3	17	F404513	COIL CLAMP	7	40
				F404801	ELBOW, CYLINDER DRAIN UPPER	27	-
				F404841	CABLE, HEAT INDICATOR	7	37
				F405457	PIVOT SCREW	25	7
				F406406	DEFLECTOR PLATE	29	-
				F406406	GASKET DEFLECTOR PLATE	21	37
				F406471-1	CYLINDER DRAIN COVER	25	41
				F406754-1	HOSE	27	46
				F407446	CLAMP	7	31
				F409251-1	GAUGE CAP	45	1
				F412386	DECAL, NUMERAL	3	8
				F433114	HANDLE, LOCK BAR	37	51

PARTS INDEX

Part Number	Description	Pg.	Ref. No.	Part Number	Description	Pg.	Ref. No.
F433209-1	THROTTLE CAM STUD	21	32	F485755-1	FUEL TANK ADAPTER	45	3
F438066	BY-PASS VALVE COVER . . .	29	92	F489551	BRACKET NEUTRAL		
F438129	SEAL, DRIVESHAFT SPLINE	43	70		INTERLOCK SWITCH	23	45
F438165	SCREW, FUEL PUMP BOWL	21	18	F489985	BLANKET, SILENCER SIDE		
F438169	BEARING	35	42		(NOT SHOWN)	5	-
F438271	RETAINER, CRANKSHAFT			F490061-1	CARBURETOR COMPLETE		
	SPLINE SEAL	43	69		(TC-6B)	19	-
F438346	SHOCK MOUNT LOWER . . .	37	75	F498392	NAME "CHRYSLER"	3	9
F438398	DECAL, WIRING	29	86	F498396	DECAL, STRIPE - UPPER . .	3	10
F438500	FUEL SEDIMENT BOWL . . .	21	17	F498397	DECAL, STRIPE - LOWER . .	3	11
F438617	FUEL PUMP BOWL	31	-	F500711	PLATE, ENGINE COVER		
F438617	FUEL SEDIMENT BOWL				FRONT	5	42
	GASKET	21	15	F50109	PLUG, GEAR HOUSING	41	43
F438653	FUEL SEDIMENT BOWL			F50342-1	SEAL, "O" RING	41	8
	SCREEN	21	16	F506118	SEAL, PROPELLER SHAFT . .	41	9
F438668	RETAINER, CABLE CLAMP . .	7	13	F510374	DECAL, CIRCUIT BREAKER	7	41
F438744-1	WIRING HARNESS	7	4	F510460	CIRCUIT BREAKER	7	22
F438747	FUEL PUMP DIAPHRAGM . .	31	-	F511015-2	PISTON	33	2
F438747	FUEL PUMP DIAPHRAGM			F511125-2	TUBE, STEERING SUPPORT	37	84
	W/GASKET	21	8	F511675	STARTER BRACKET,		
F438754	FUEL LINE W/CLAMP, PUMP				LOWER	11	17
	TO CARBURETOR	17	42	F511708	COVER, CARBURETOR	17	7
F438760	FUEL PUMP	31	-	F523031	GASKET, WATER PUMP . . .	43	56
F438760	FUEL PUMP GASKET	21	4	F523057	BEARING, DRIVESHAFT		
F438801	FITTING	21	14		LOWER	43	65
F438930	RETAINER, SNOUT	41	38	F523065	IMPELLER, WATER PUMP . .	43	58
F438962	SHOCK MOUNT LOWER			F523094-2	PROPELLER NUT	41	13
	REAR	35	14	F523099	SPACER, PROPELLER	41	18
F438984-1	BLANKET, SILENCER TOP			F523116	EXHAUST SNOUT	41	37
	(NOT SHOWN)	5	-	F523133-2	MOTOR LEG	37	81
F439386	PLATE REAR	3	5	F523146	SEAL, CRANKSHAFT		
F439736	SEAL, EXHAUST TUBE	37	82		LOWER	33	13
F440192	THROTTLE CAM	21	28	F523188	NUT, BEVEL PINION	41	34
F440209	CARBURETOR STUD	21	30	F523244	INLET WATER LINE	41	5
F440254	BALANCE TUBE	21	34	F523274	GREASE FITTING	37	85
F440906	CARBURETOR	31	-	F523280	NUT, STEERING SUPPORT		
F440906	CARBURETOR GASKET . . .	21	31		TUBE	37	80
F440925	CHOKE ROD	17	40	F523299-1	WASHER	41	16
F441754-1	HOSE	21	3	F523411	RETAINING RING, BEARING		
F460917	STARTER RELAY	7	26		CAGE	41	22
F474073-1	CLAMP SCREW	35	30	F523451	SPACER, REED STOP	23	51
F474387	TIMING DECAL (NOT			F523498	DRIVE KEY, WATER PUMP . .	43	67
	SHOWN)	9	-	F523555	SEAL, "O" RING, GEAR		
F474390-1	DECAL, REVERSE LOCK				HOUSING COVER	43	48
	(NOT SHOWN)	37	-	F523562	PLATE, WATER PUMP	43	57
F476066-1	THERMOSTAT COVER	29	85	F523705	GEAR SHIFT ROD LOWER . .	43	45
F476067	GASKET	27	81	F523813	BEARING CUP	41	29
F476067	THERMOSTAT COVER	31	-	F523834	CLIP, SPARK PLUG WIRE . .	25	28
F476529	CYLINDER HEAD	31	-	F523899	GROMMET, WATER LINE . . .	41	4
F476529	CYLINDER HEAD GASKET . .	27	75	F523961	CRUSH RING	43	49
F480038-2	SUPPORT PLATE	3	15	F523962	SHOCK MOUNT - C.D. UNIT	9	46
F480107-1	CAM STARTER INTERLOCK	29	104	F528068	THERMOSTAT	27	82
F480388	DISC, WATER PUMP			F528995	COVER, CYLINDER HEAD . .	29	108
	LOCATING	43	61	F530160	REED (4 PETAL)	21	40
F480818	BEARING	3	13	F58685-2	CONNECTOR, SHIFT CABLE	47	2
F481382-1	SPACER, LATCH SHAFT . . .	3	29	F590	SYNCHRO-DRIVE CONTROL		
F481434	GUIDE, ENGINE COVER . . .	5	46		HEAD (SINGLE LEVER) . . .	54	-
F481774	BRACKET, COVER LATCH . .	3	32	F5H003	SPEEDOMETER FLUSH		
F481777	CAM, LATCH	3	28		MOUNT	55	-
F483884	BEARING	37	61				

PARTS INDEX

Part Number	Description	Pg.	Ref. No.	Part Number	Description	Pg.	Ref. No.
F5H005	TEMPERATURE GAUGE - FLUSH MOUNT	55	-	F7008	ELASTIC STOP NUT	25	10
F5H006	VOLTMETER - FLUSH MOUNT	54	-	F7012	STOP NUT	35	24
F5H007	HOURMETER - FLUSH MOUNT	54	-	F7013	STOP NUT	13	2
F5H008	FUEL GAUGE FLUSH MOUNT	55	-	F74305	SEAL, DRIVESHAFT BEARING CAGE	43	50
F5H010	POWER TRIM INDICATOR	54	-	F762	REMOTE ELECTRIC CABLE	55	-
F5H013	REMOTE CONTROL HANDLE TRIM SWITCH	55	-	F8001	WASHER	41	31
F5H014	FLUSHING ADAPTER	54	-	F8003	PLAIN WASHER	25	38
F5H018	DUAL ENGINE TIE BAR	54	-	F8011	PLAIN WASHER	7	20
F5H019	ANTI-CORROSION KIT	54	-	F8038	PLAIN WASHER	29	109
F5H021	EXTENSION CABLE	55	-	F8056	LOCKWASHER	13	18
F5H025	ANTI-CORROSION SACRIFICIAL ANODE	54	-	F8056	LOCKWASHER	13	43
F5H026	FUEL TANK (ACCESSORY ITEM)	45	2	F8056	LOCKWASHER	29	97
F5H026	STEEL, 6 GALLON FUEL TANK (LOW PROFILE)	54	-	F8056	SPRING LOCKWASHER	7	7
F5H028	SENDING UNIT	55	-	F8058	INTERNAL TOOTH LOCKWASHER	21	24
F5H029	TANK ANCHOR	54	-	F8058	INTERNAL TOOTH LOCKWASHER	27	57
F5H037	CIGAR LIGHTER	55	-	F8060	LOCKWASHER	11	16
F5H038	IGNITION SWITCH MOUNTING KIT (ACCESSORY ITEM)	9	49	F8077	WASHER, GEAR HOUSING PLUG	41	42
F5H040	STEEL, 12 GALLON FUEL TANK	54	-	F8083	SPRING LOCKWASHER	3	26
F5H041	BATTERY CABLE CLAMP KIT (ACCESSORY ITEM)	7	32	F8083	SPRING LOCKWASHER	9	43
F5H042	POWER TRIM	55	-	F8083	SPRING LOCKWASHER	35	3
F5H043	OVERHEAT BUZZER	54	-	F8083	SPRING LOCKWASHER	43	54
F5H043	OVERHEAT BUZZER (ACCESSORY ITEM)	7	36	F8088	PLAIN WASHER	17	31
F5H044	TILT STOP KIT	54	-	F8088	PLAIN WASHER	23	47
F5H050	HYDRAULIC TILT	55	-	F8094	PLAIN WASHER	3	27
F5H063	REMOTE CONTROL UNIT, SINGLE LEVER STARBOARD MOUNT	49	39	F8094	PLAIN WASHER	37	58
F5H063	SYNCHRO-DRIVE CONTROL BOX (SINGLE LEVER)	54	-	F8095	PLAIN WASHER	29	110
F5H064	EXHAUST SNOUT	54	-	F8096	SPRING LOCKWASHER	3	22
F5H070	REMOTE ELECTRIC CABLE	55	-	F8096	SPRING LOCKWASHER	3	34
F5H074	WATER PUMP KIT	55	-	F8096	SPRING LOCKWASHER	7	25
F5H076	SWITCH EXTENSION CABLE	55	-	F8096	SPRING LOCKWASHER	29	100
F5H077	IGNITION KEY SWITCH	55	-	F8096	SPRING LOCKWASHER	37	77
F5H078	IGNITION KEY SWITCH	55	-	F8096	SPRING LOCKWASHER	41	40
F5H078	IGNITION SWITCH (LONG BARREL) W/KEYS AND SCREWS	7	34	F8104	PLAIN WASHER	27	49
F5H079	SYNCHRO-DRIVE CONTROL BOX	54	-	F84011	WASHER	37	62
F5H080	TWIN SYNCHRO-DRIVE CONTROL BOX	54	-	F84067-1	THERMOSTAT COVER	29	-
F5H081	BATTERY CABLE	54	-	F84074	CLAMP SCREW FOOT	35	28
F5H098	STEERING CONVERSION KIT	54	-	F84146-2	SEAL	33	20
F5H115	TRAILERING TILT LOCK	55	-	F84278	SEAL	33	23
F7004	STOP NUT, 3/8 - 16	25	17	F84286-1	FRICTION WASHER	37	54
				F84305	SEAL, "O" RING PROPELLER SHAFT SPOOL	41	12
				F84307-1	SEAL, DRIVESHAFT	43	51
				F84314-2	ELBOW	17	34
				F84314-2	ELBOW	21	6
				F84314-2	ELBOW	27	45
				F84342	SEAL, INLET WATER LINE, UPPER	41	3
				F84449	INTERLOCK SWITCH	23	46
				F84472-5	CYLINDER DRAIN COVER	29	-
				F84472-5	GASKET, CYLINDER DRAIN COVER	25	40
				F84504	GROMMET (THERMOSTAT)	27	83
				F84521-1	CLUTCH	41	26
				F84748-3	CYLINDER DRAIN	29	-
				F84748-3	GASKET	25	33

PARTS INDEX

Part Number	Description	Pg.	Ref. No.	Part Number	Description	Pg.	Ref. No.
F85017	PISTON PIN	33	4	F85916-1	BY-PASS VALVE	29	95
F85026	SWIVEL	25	30	F85924	CHOKE SOLENOID	7	28
F85033	SWIVEL, CHOKE ROD (BOTTOM CARBURETOR) (NOT SHOWN)	19	-	F85965	SHOCK MOUNT UPPER	37	72
F85035	DISTRIBUTOR, CONTROL ROD END	25	29	F89758	FUEL PUMP AIR HOSE - TOP	21	7
F85036	TOWERSHAFT CONTROL ROD END	25	32	F9018	CAP	35	32
F85037-1	STERN BRACKET PIVOT BOLT	37	53	F9052	PLUG	35	33
F85095-2	STATOR	7	3	F90807	RETAINING RING	17	1
F85117	BRACKET, WATER LINE	41	2	F90891	PIN, GEAR SHIFT ARM	41	32
F85130	BOOT IDLE EXHAUST	35	8	F90891	PIN, PROPELLER NUT RETAINING	41	14
F85161-1	REED STOP	21	39	F91446-1	CIRCUIT BREAKER BRACKET	7	21
F85173	RETAINING RING	13	6	F92759	THROTTLE ROLLER	17	20
F85211	STUD	25	18	F93811	SCREEN	25	34
F85258	INSERT	35	9	F93920	REED STOP	25	37
F85279-2	CYLINDER EXHAUST UPPER	29	-	F97772	CLAMP	17	35
F85279-2	GASKET, CYLINDER EXHAUST UPPER	27	69	F97772	FUEL LINE CLAMP	45	11
F85300	REVERSE LOCK SPRING	37	45	F98273	ROD END CONNECTOR STUD	27	58
F85311	DISTRIBUTOR BELT	13	1	FA15072	HEX LOCK NUT, 1/4 - 20	11	12
F85314-1	FUEL FITTING	17	37	FA178233	THROTTLE TIE BAR W/SWIVEL	17	5
F85317-1	SOLENOID CLAMP	21	21	FA178962	SHOCK ABSORBER W/BUSHING	35	35
F85350-1	TILT STOP PIVOT	35	20	FA321574	DISTRIBUTOR BRACKET	13	10
F85372	PIN, GEAR SHIFT ROD LOWER	43	47	FA411222	TRANSFER PORT COVER	27	51
F8538	SPRING PIN	35	31	FA438113	STERN BRACKET LOCK BAR W/HANDLE	37	49
F85380	SPRING	35	10	FA438431	FUEL PUMP BODY W/VALVES	21	12
F85410	SNAP RING	33	8	FA438493	TERMINAL BLOCK BRACKET	7	11
F85445	CONTROL ROD	25	31	FA439746	FUEL PUMP COVER	21	1
F85453-1	CYLINDER EXHAUST LOWER	29	-	FA440157	CARBURETOR ADAPTER, UPPER W/FITTING AND STUD	21	-
F85498	FLYWHEEL KEY	33	16	FA440167	CARBURETOR ADAPTER, LOWER W/FITTING AND STUD	21	33
F85502	THROTTLE LINK	25	26	FA467892	INSERT PLATE FRONT - U.S.A.	3	41
F85509-1	LINK, CHOKE	17	38	FA467893	INSERT PLATE FRONT - CANADA	3	-
F85541-1	TILT LOCK	35	22	FA475260	PISTON RING SET	33	1
F85571	BEARING CAGE W/ROLLER	33	10	FA480876	GEAR SHIFT ARM W/SWIVL, BEARNGS, INTRLOK ARM AND SHULDR SCRW	27	66
F85606	KINGPIN CAP	37	66	FA480894	TIMING POINTER	25	4
F85610	BEARING	27	65	FA481469	HANDLE W/SHAFT	3	12
F85615	GEAR SHIFT ROD UPPER	37	78	FA481743	ROLLER BRACKET	3	33
F8563	DOWEL PIN	25	15	FA489944	ENGINE COVER W/RETAINER, SCREWS AND NUTS	3	7
F85634-1	CONNECTING ROD SCREW	33	14	FA510497	TERMINAL BLOCK	7	15
F85660-1	EXHAUST TUBE	35	2	FA512528	INSERT, PLATE REAR	3	4
F85664	DISTRIBUTOR GROUND	13	28	FA523014	CRANKSHAFT LOWER MAIN BEARING	33	12
F85664	GROUND WIRE	9	54				
F85704	COUPLER, GEAR SHIFT ROD	37	83				
F85735-1	SEAL	3	39				
F85762	BY-PASS	29	-				
F85762	BY-PASS VALVE COVER GASKET	29	93				
F85772	CLAMP	35	11				
F85779-1	BAFFLE, AIR INTAKE	37	68				
F85843-1	REMOTE ELECTRIC CABLE, 18 FEET	7	38				
F85859	STUD	25	14				
F85906	CARBURETOR	29	-				
F85908	STARTER LEAD WIRE	11	13				

PARTS INDEX

Part Number	Description	Pg.	Ref. No.	Part Number	Description	Pg.	Ref. No.
FA523060	WATER PUMP BODY W/DRIVESHAFT SEAL, DISC AND WATERLINE SEAL	43	59	FO16128	BODY CHANNEL WELCH PLUG	17	25
FA523098	PROPELLER SHAFT	41	23	FO16130	FUEL BOWL	19	51
FA523266	BEVEL PINION GEAR W/CRUSH RING AND SHIMS	41	35	FO16132	FUEL BOWL RETAINING SCREW	17	11
FA523301	UNIT W/DECAL	9	45	FO16133	MAIN NOZZLE	19	50
FA523485	ANTI-CORROSION ANODE ..	41	20	FO16142	THROTTLE SHUTTER	17	26
FA523706	GEAR HOUSING COVER W/SEALS	43	52	FO16143	THROTTLE SHAFT RETURN SPRING	17	22
FA523735	SEAL, INLET WATER LINE, LOWER	43	64	FO16301	CHOKE SHAFT AND LEVER	17	44
FA528518	CYLINDER HEAD	27	80	FO16620	LOCKWASHER KIT	17	28
FA58976-1	CONNECTOR, THROTTLE CABLE	47	1	FO16697	INLET NEEDLE	19	47
FA77395-5	IDENTIFICATION PLATE W/SCREWS FOR U.S.A. MODELS	3	18	FO17719	CHOKE SHUTTER	17	10
FA84621-1	COUPLING, GEAR SHIFT ARM W/BUSHING	43	44	FO17884	THROTTLE SHAFT AND LEVER	17	21
FA84754-1	FUEL LINE SHORT W/FERRULES	45	8	FO17885	CHOKE SHAFT RETURN SPRING	17	45
FA84871-1	PIN, GEAR SHIFT W/YOKE ..	41	24	FO1974	SCREW	17	18
FA85019	KINGPIN W/PLUG	35	41	FO5323	FUEL BOWL RETAINING SCREW GASKET	19	52
FA85193	TIE BAR END W/SWIVEL ...	17	2	FO9678	CLIP, CHOKE SHAFT	17	16
FA85355-1	WASHER	37	71	FO992	LOCKWASHER	17	17
FA85655-1	CRANKSHAFT MAIN BEARING RACE W/SNAP RING	33	9	FP524	PROPELLER - 115 H.P. (ACCESSORY ITEM)	41	17
FA98689	BEARING	27	72	FS409752	FUEL LINE COMPLETE (NOT SHOWN)	45	-
FC409398	DECAL, TOTE TANK (NOT SHOWN)	45	-	FS490955	STARTER COMPLETE	11	-
FC438398	DECAL, WIRING - CANADA ..	29	-	FSA475260	PISTON RING (4 PER SET) .010 OVERSIZE (NOT SHOWN)	33	-
FC474387	TIMING DECAL - CANADA ..	9	-	FT2953	SOCKET	51	-
FC500390	DECAL, STARTER - CANADA (NOT SHOWN)	11	-	FT2990	PISTON PIN TOOL	51	-
FC510374	DECAL, CIRCUIT BREAKER	7	-	FT2996	RING COMPRESSOR	51	-
FC523054	GEAR HOUSING COMPLETE	43	-	FT8901	INDICATOR HOLDER	52	-
FG1003-1	GASKET SET (SEE BELOW)	29	-	FT8902	DIAL INDICATOR	52	-
FK17114-1	INDICATOR	47	32	FT8903	SEAL INSTALLER	51	-
FK405020	SWIVEL W/CLAMP, SHOULDER SCREW AND NUT	25	24	FT8907	DRIVE HANDLE	51	-
FK750-1	SPARKIE W/SPRING	15	44	FT8907	DRIVER HANDLE	52	-
FK85228-1	BEARING CAGE W/ROLLER	33	7	FT8908	PROPELLER SHAFT SEAL INSTALLER	52	-
FO10588	BODY CHANNEL CUP PLUG	17	24	FT8914	SEAL REMOVER	51	-
FO11103	IDLE MIXTURE SCREW SPRING	17	14	FT8915	PROPELLER SHAFT SEAL PROTECTOR	52	-
FO12400	RETAINING SCREW WASHER	17	27	FT8919	SPRING PIN PUNCH	52	-
FO13554	FLOAT	19	48	FT8922	SLIDE HAMMER	51	-
FO13944	FLOAT LEVER PIN	19	49	FT8925	DRIVESHAFT SEAL INSTALLER	52	-
FO14166	IDLE MIXTURE SCREW	17	13	FT8926	RING EXPANDER	51	-
FO14191	MAIN FUEL JET, .096 STANDARD	17	15	FT8927	SEAL PROTECTOR	51	-
FO15623	FUEL BOWL GASKET	17	46	FT8933	LIFTING HOOK	53	-
FO15912	CHOKE AND THROTTLE SHUTTER SCREW	17	9	FT8948-1	FLYWHEEL PULLER	50	-
				FT8948-1	PROPELLER SHAFT BEARING CAGE PULLER	52	-
				FT8950	LEAKAGE TESTER	53	-
				FT8957	SEAL INSTALLER	52	-
				FT8978	POWER TIMING LIGHT	50	-
				FT8997	SHIMMING TOOL	52	-
				FTA2937-1	TIMING TOOL	50	-
				FTK8999	TEST WHEEL	53	-

PARTS INDEX

Part Number	Description	Pg.	Ref. No.	Part Number	Description	Pg.	Ref. No.
31-817785A2	CRANKSHAFT BEARING CAGE W/SEAL	33	18				
32-817738A1	FUEL LINE LONG W/CLAMP AND FERRULE	45	10				
33-97180	SPARK PLUG (CHAMPION L20V)	27	77				
37-819450	DECAL, REVERSE LOCK - CANADA (NOT SHOWN) .	39	-				
39-818123A1	PISTON RING (4 PER SET) .030 OVERSIZE (NOT SHOWN)	33	-				
45-818017A3	DRIVESHAFT W/BEARING, SHIMS AND CRUSH RING	43	68				
84-817775A1	COIL WIRE W/TERMINAL CLIP	13	29				
87-817778A1	THERMOSWITCH	29	98				
400-817735A4	CRANKSHAFT W/BEARING .	33	15				
600-818052A4	CONNECTING ROD W/CAP AND SCREWS	33	6				
700-819409A4	PISTON .030 OVERSIZE (NOT SHOWN)	33	-				
1400-817958A6	STERN BRACKET	35	23				