



# PARTS CATALOG

## 25 H.P.

### SERIAL NUMBER

25 (1978) ..... 252H8C  
25 (1978) ..... 253H8C

# TABLE OF CONTENTS:

ACCESSORIES .....	42
CARBURETOR .....	10
CRANKSHAFT AND PISTON GROUP .....	14
ENGINE COVER AND SUPPORT PLATE (MANUAL START MODELS) .....	2
FUEL PUMP .....	16
FUEL TANK AND LINE .....	36
GEAR HOUSING .....	32
HAND STARTER .....	6
LUBRICATION CHART .....	45
MAGNETO .....	8
MOTOR LEG .....	26
PARTS INDEX .....	47
POWER HEAD .....	18
REED PLATE .....	12
SPECIAL ADJUSTMENTS .....	46
SPECIAL TOOLS - LOWER UNIT .....	40
SPECIAL TOOLS - POWER HEAD .....	39
SPECIAL TOOLS - TEST EQUIPMENT .....	41
SPECIAL TOOLS - TUNE-UP .....	38
SPECIFICATIONS .....	44
SWIVEL BRACKET GROUP .....	22

**NOTE:** Indented description indicate that these parts are included in preceding assembly.

**AR** = As Required

**NSS** = Not Sold Separate

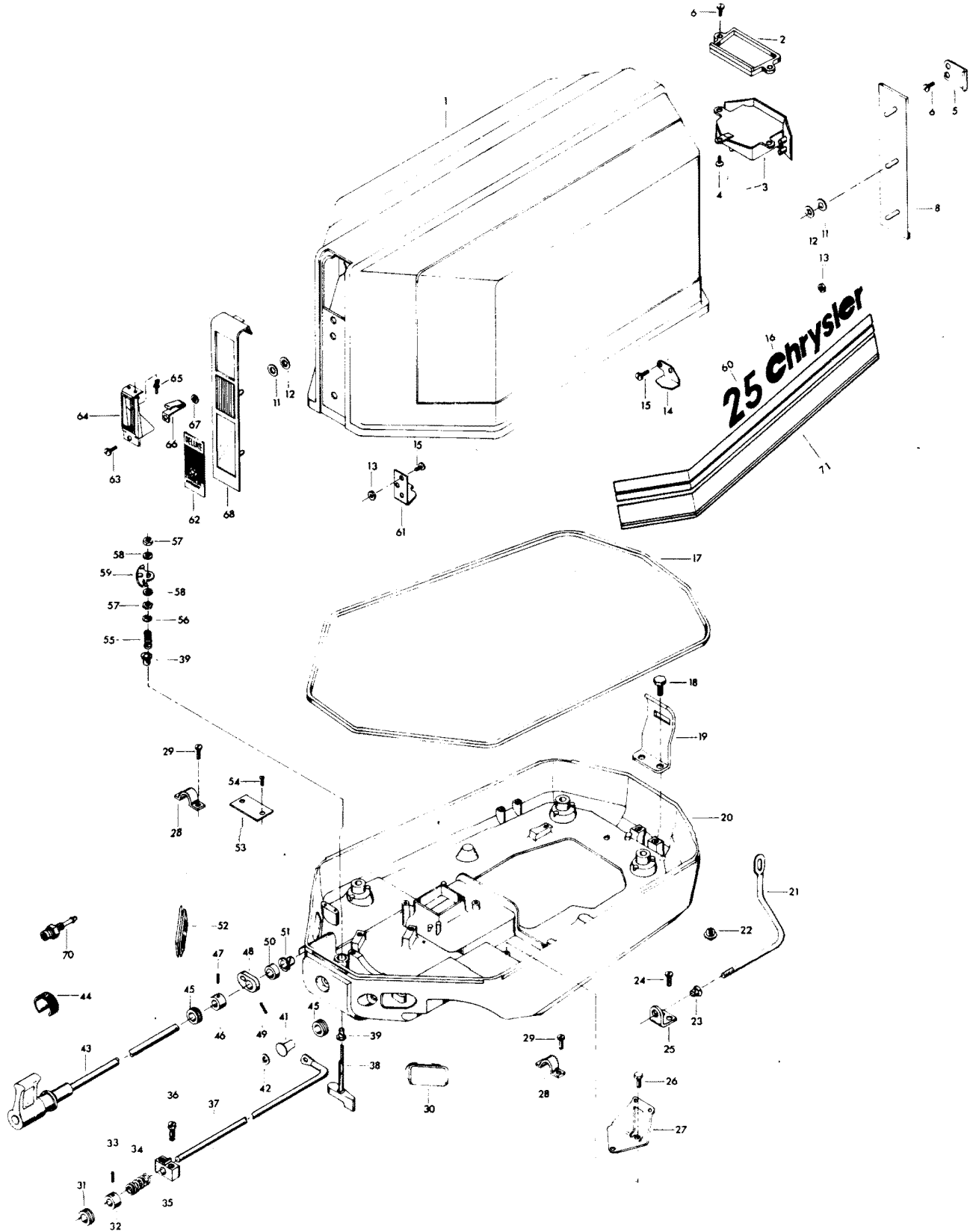
**OPT** = Optional

**NS** = Not Shown

**THESE PARTS BOOKS/FICHE CARD ARE COPYRIGHTED AND MAY NOT BE DISTRIBUTED OR REPRODUCED IN ANY OTHER FORMAT BY ANYONE OTHER THAN MERCURY MARINE WITHOUT THE PRIOR WRITTEN CONSENT OF MERCURY MARINE.**

THIS PAGE INTENTIONALLY LEFT BLANK

# ENGINE COVER AND SUPPORT PLATE (MANUAL START MODELS)

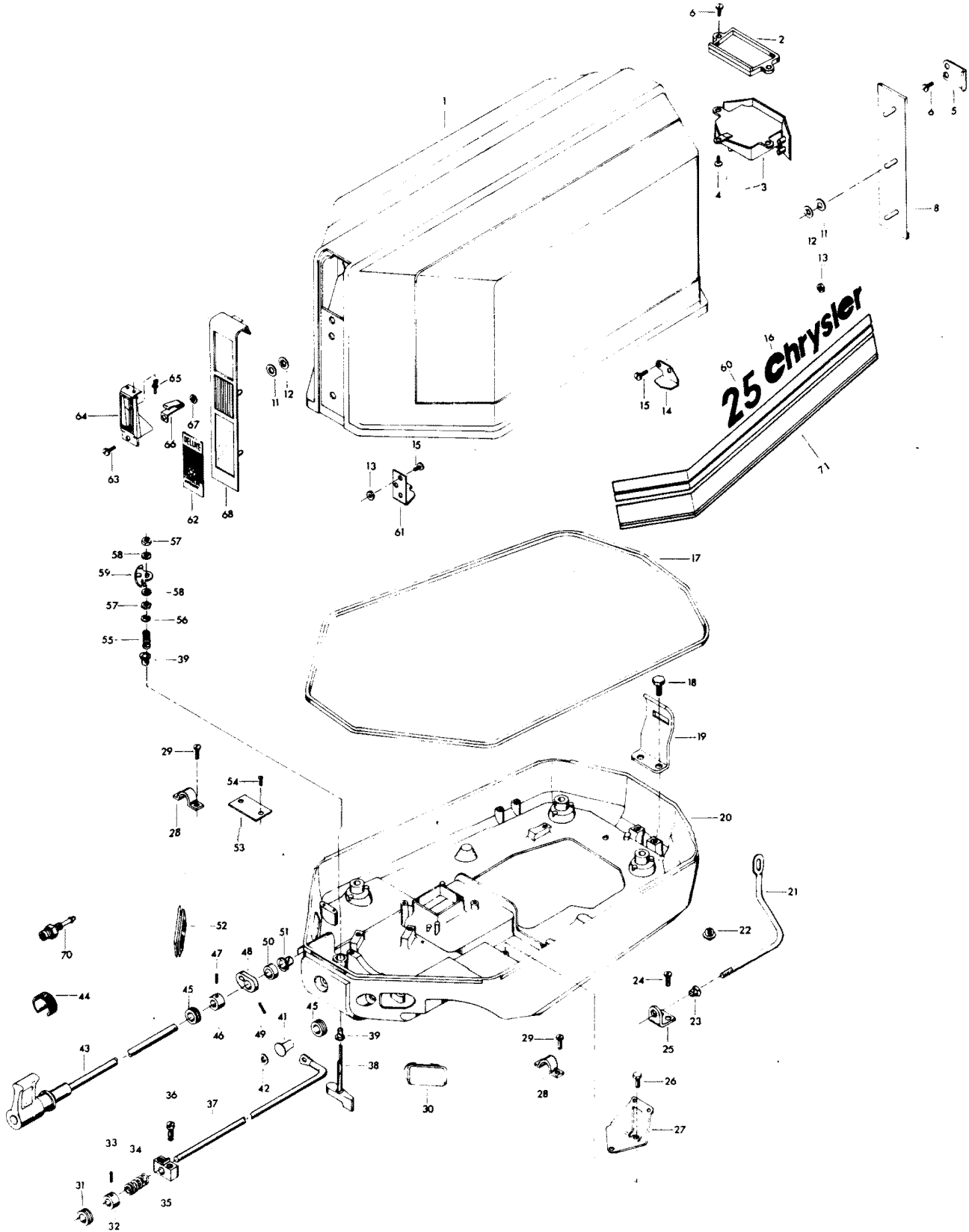


# ENGINE COVER AND SUPPORT PLATE (MANUAL START MODELS)

REF. NO.	PART NO.	SYM.	QTY.	DESCRIPTION
1	FS529712		1	ENGINE COVER W/FRONT AND REAR RETAINERS
2	F458245		1	BAFFLE, TILT HANDLE
3	F505269		1	TILT HANDLE
4	F2025		1	PAN HD SCREW, 10 X 5/8
5	F463864		2	RETAINER, TILT HANDLE
6	F2066		6	PAN HD SCREW, 10 X 3/8
8	505180		1	TRIM, REAR
11	F85735-1		5	SEAL
12	F1753		5	FASTENER
13	F7011		4	HEX NUT
14	FA458480		1	RETAINER, ENGINE COVER REAR W/SCREWS AND NUTS
15	F1475		4	FILL HD SCREW, 10 - 24 X 1/2
16	505392		2	DECAL, "CHRYSLER"
17	F85756		1	PACKING, ENGINE COVER
18	F1502		2	HEX HD SCREW, 1/4 - 20 X 5/8
19	F461774		1	BRACKET, RETAINER REAR
20	F458038-2		1	SUPPORT PLATE
21	F458503		1	CHOKE ROD
22	F1632		1	PLASTI-PLUG
23	F183818		1	BEARING, CHOKE ROD
24	F1760		2	PAN HD SCREW, 10 - 24 X 3/8
25	F324993		1	BRACKET, CHOKE ROD BEARING
26	F1236		2	HEX CAP SCREW, 1/4 - 20 X 1/2
27	F458371		1	BRACKET, REMOTE THROTTLE CABLE
28	F154317		2	CLAMP, REMOTE CABLE
29	F2107		4	SLOTTED FILL HD SCREW W/SPRING LOCKWASHER, 10 - 24 X 5/8
30	F324840-1		1	GROMMET, REMOTE THROTTLE CABLE
31	F183504		1	GROMMET, MAGNETO CONTROL SHAFT
32	FA343178		1	RETAINER, MAGNETO CONTROL SHAFT W/SET SCREW
33	F1859		1	HEX SOCKET HEADLESS SET SCREW, 1/4 - 28 X 3/16
34	F183300		1	SPRING, MAGNETO CONTROL SHAFT
35	F324689		1	BEARING, MAGNETO CONTROL SHAFT
36	F1087		2	FILL HD SCREW, 10 - 24 X 7/8
37	FA458838		1	MAGNETO CONTROL SHAFT
38	FA413469		1	COVER LATCH HANDLE W/SHAFT
39	F307818		2	BEARING, LATCH SHAFT
41	F286547		1	CHOKE KNOB
42	F458677		1	INSERT, CHOKE KNOB
43	F2A504614		1	KNOB, GEAR SHIFT W/SHAFT AND INDICATOR
44	F461400		1	INDICATOR, GEAR SHIFT
45	F24623-1		2	GROMMET, GEAR SHIFT, CHOKE ROD
46	FA343178		1	RETAINER, GEAR SHIFT SHAFT W/SET SCREW

CONTINUED ON NEXT PAGE ➡

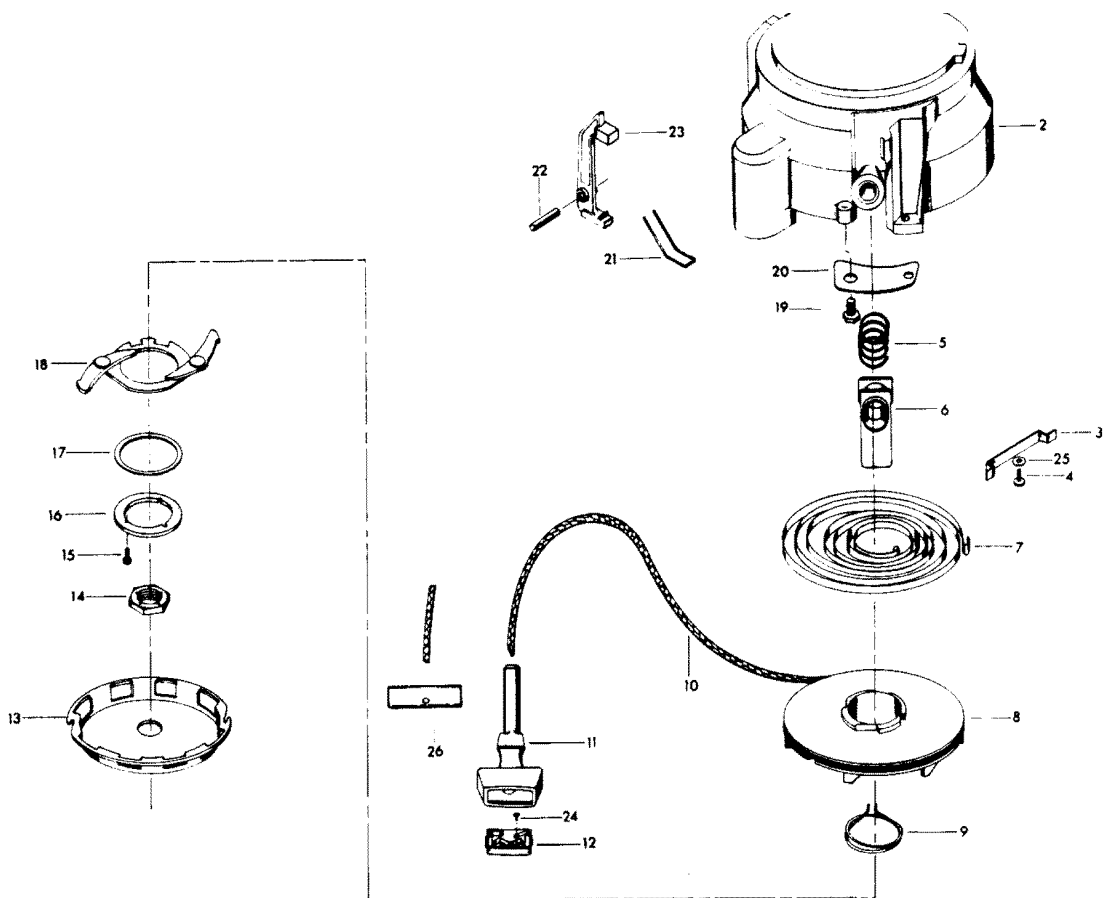
# ENGINE COVER AND SUPPORT PLATE (MANUAL START MODELS)



## ENGINE COVER AND SUPPORT PLATE (MANUAL START MODELS)

REF. NO.	PART NO.	SYM.	QTY.	DESCRIPTION
47	F1859		1	HEX SOCKET HEADLESS SET SCREW, 1/4- 28 X 3/16
48	F504621		1	LEVER, GEAR SHIFT CONTROL
49	F1836		1	SPRING PIN
50	F504836		1	SPACER, GEAR SHIFT SHAFT
51	F307818		1	BEARING
52	F324840-1		1	GROMMET, REMOTE SHIFT CABLE
53	FA77395-5		1	PLATE, IDENTIFICATION W/SCREWS, U.S.A.
54	F1293		2	DRIVE SCREWS
55	F183300		1	SPRING, LATCH SHAFT
56	F185764		1	RETAINING RING
57	F1515		2	HEX JAM NUT, 5/16 - 18
58	F8096		2	SPRING LOCKWASHER
59	F89777-1		1	CAM, ENGINE COVER LATCH
60	505386		2	DECAL
61	FA458778		1	RETAINER, ENGINE COVER FRONT W/SCREWS AND NUTS
62	FA458892		1	INSERT, PLATE FRONT, U.S.A.
63	F1760		1	PAN HD. SCREW, 10 - 24 X 3/8
64	F458888-1		1	TRIM, STARTER HANDLE GUIDE
65	F2026		2	PLASTIC RIVET
66	F458880		1	CLIP, STARTER GUIDE
67	F1473		1	HEX NUT, 10 - 24
68	F505711		1	PLATE, FRONT
70	F434767		1	BUSHING, FUEL LINE
71	505397		1	DECAL, STRIPE PORT
-	<b>505396</b>		<b>1</b>	<b>DECAL, STRIPE STARBOARD</b>

# HAND STARTER

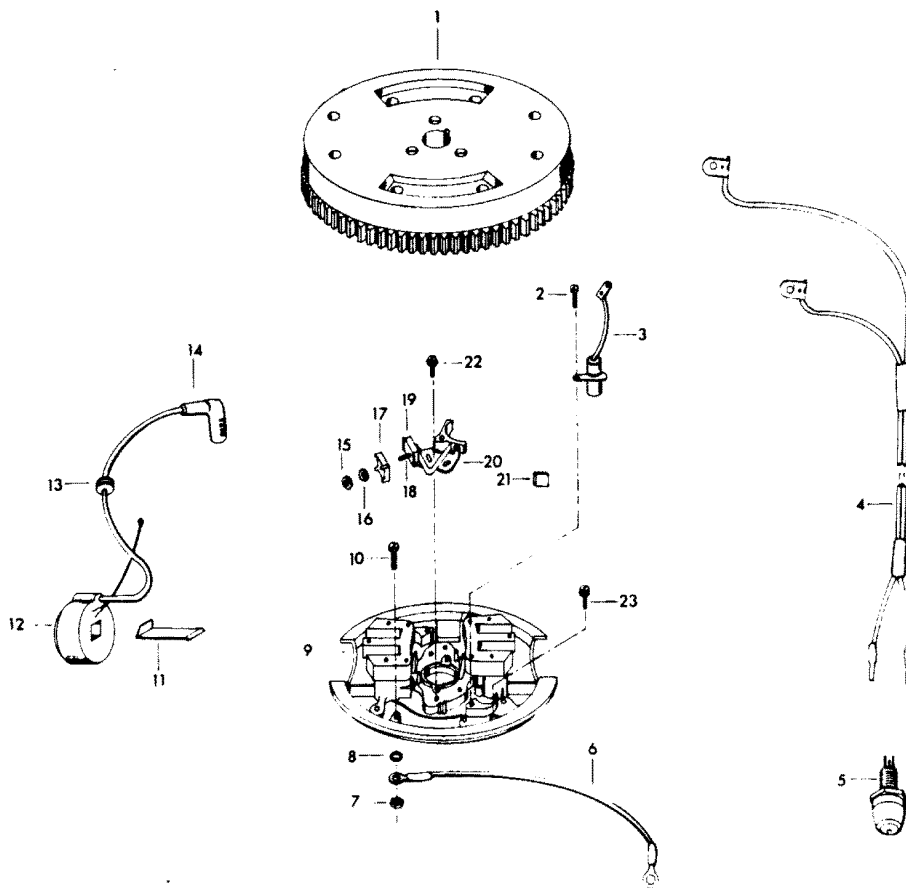




# HAND STARTER

REF. NO.	PART NO.	SYM.	QTY.	DESCRIPTION
1	F1864		3	SLOTTED HEX HD SCREW, 1/4 - 20 X 3/4 (HAND START MODELS)
2	817955A1		1	HOUSING, HAND STARTER
3	F458937		1	LINER, STARTER HOUSING
4	F1927		1	PAN HD SCREW, 10 - 32 X 3/8
5	F458071		1	SPRING, STARTER HANDLE GUIDE FOR MANUAL START MODELS
6	F458953-1		1	GUIDE, STARTER HANDLE FOR MANUAL START MODELS
7	F458970		1	SPRING, STARTER REWIND
8	F458239		1	STARTER PULLEY
9	F458424		1	SPRING, STARTER PAWL PLATE
10	F458232		1	STARTER ROPE
11	F458132		1	HANDLE, STARTER ROPE FOR MANUAL START MODELS
12	817938A1		1	RETAINER, STARTER ROPE HANDLE FOR MANUAL START MODELS
13	F458456		1	HAND STARTER COLLAR
14	F2021		1	FLYWHEEL NUT
15	F2004		3	FILL HD SCREW, 8 - 32 X 3/8
16	F458592		1	RETAINER, STARTER PULLEY
17	F9022		0	SHIM .006 (SILVER)
-	<b>F9023</b>		<b>0</b>	<b>SHIM .007 (BRASS)</b>
-	<b>F9024</b>		<b>0</b>	<b>SHIM .010 (BLACK)</b>
18	FA460423		1	STARTER PAWL PLATE ASSEMBLY
19	F2040		1	HEX HD MACHINE SCREW, 1/4 - 20 X 5/8
20	F461952		1	STRAP, HAND STARTER HOUSING
21	F458846		1	SPRING, STARTER INTERLOCK LEVER
22	F1638		1	SPRING PIN
23	F458003		1	STARTER INTERLOCK LEVER
24	F1500		1	RD HD SHEET METAL SCREW, 4 X 1/4 FOR MANUAL START MODELS
25	F8011		1	PLAIN WASHER
26	F18132-1		1	HANDLE, STARTER ROPE
27	F2012		3	PLAIN WASHER (HAND START MODELS)

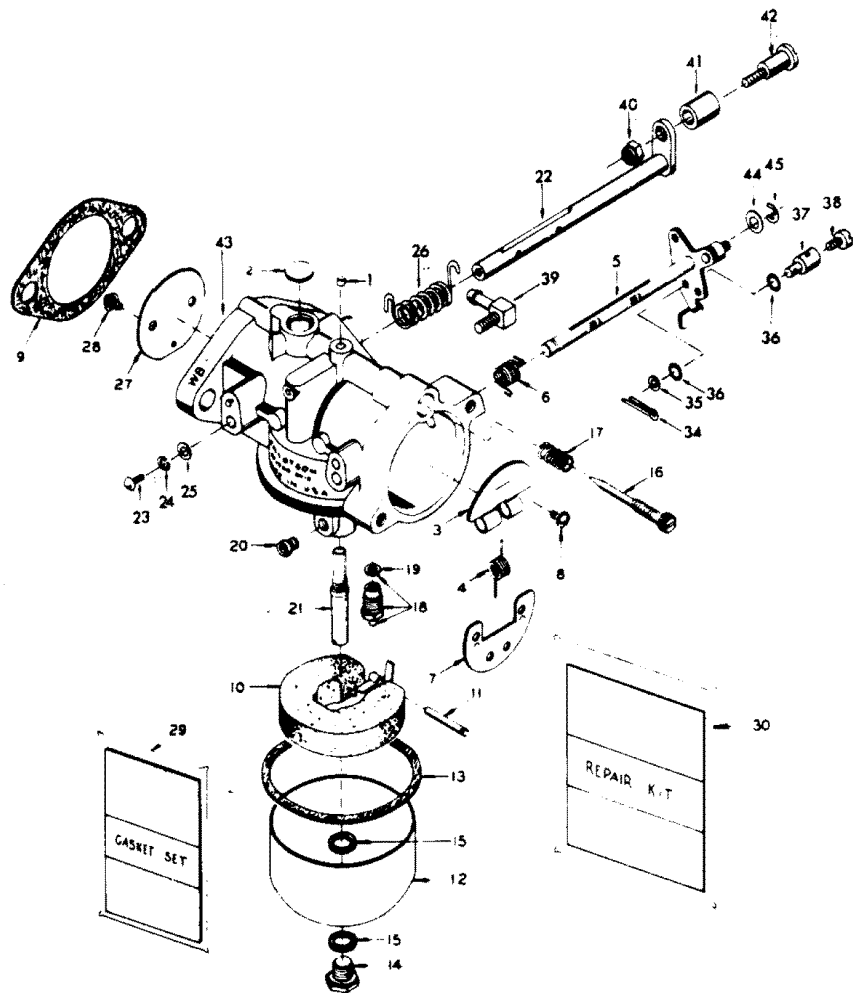
# MAGNETO



# MAGNETO

REF. NO.	PART NO.	SYM.	QTY.	DESCRIPTION
1	F460097-1		1	FLYWHEEL
2	F12083		2	CONDENSER MOUNTING SCREW
3	F12181-1		2	CONDENSER
4	F12186		1	GROUND LEAD
5	F436449		1	SHORTING SWITCH FOR MANUAL START MODELS
6	F460664		1	STATOR GROUND WIRE
7	F1513		1	HEX NUT
8	F8059		1	SPRING LOCKWASHER
9	F12346		1	STATOR PLATE W/LAMINATIONS
10	F1092		1	FILL HD SCREW, 10 - 32 X 5/8
11	F12146		2	COIL WEDGE SPRING
12	FA12345		2	COIL W/LEAD WIRE
13	F12088		2	GROMMET, LEAD WIRE
14	FK750-2		2	SPARKIE W/SPRING
15	F12127		2	STUD NUT
16	F8055		2	LOCKWASHER
17	F12128		2	INSULATOR, OUTSIDE
18	F12142		2	CONNECTION STUD
19	F12129		2	INSULATOR, INSIDE
20	F12153		2	BREAKER POINT SET
21	F12228		1	CAM WIPER FELT
22	F12170		4	CONTACT SCREW W/LOCKWASHER
23	F2010		3	FILL HD SCREW W/SPRING LOCKWASHER, 10 - 32 X 9/16

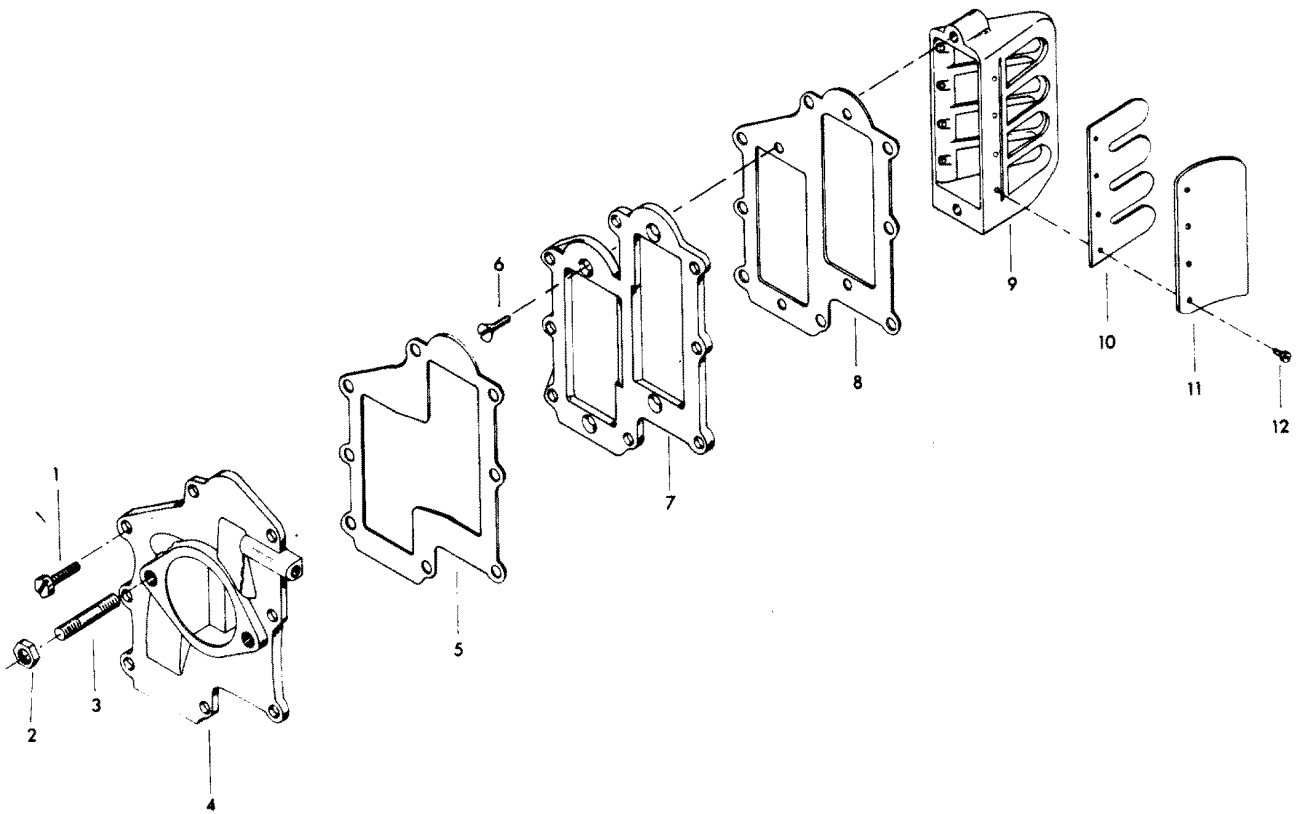
# CARBURETOR



# CARBURETOR

REF. NO.	PART NO.	SYM.	QTY.	DESCRIPTION
1	FO10588		1	BODY CHANNEL CUP PLUG
2	FO4326		1	BODY CHANNEL WELCH PLUG
3	FO12251		1	CHOKE RELIEF VALVE
4	FO10883		1	CHOKE RELIEF VALVE SPRING
5	FO16562		1	CHOKE SHAFT AND LEVER
6	FO16397		1	CHOKE SHAFT RETURN SPRING
7	FO12250		1	CHOKE SHUTTER
8	FO10280		2	CHOKE SHUTTER RETAINING SCREW AND LOCKWASHER
9	F40906-1		1	FLANGE GASKET
10	FO13554		1	FLOAT
11	FO13944		1	FLOAT LEVER PIN
12	FO13552		1	FUEL BOWL
13	FO15623		1	FUEL BOWL GASKET
14	FO13945		1	FUEL BOWL RETAINING SCREW
15	FO2510		2	FUEL BOWL RETAINING SCREW GASKET
16	FO14166		1	IDLE MIXTURE SCREW
17	FO11103		1	IDLE MIXTURE SCREW SPRING
18	FO10790		1	INLET NEEDLE, SEAT AND GASKET
19	FO10165		1	INLET SEAT GASKET
20	FO14188		1	MAIN FUEL JET (.066) (STANDARD)
21	FO15213		1	MAIN NOZZLE
22	FO16561		1	THROTTLE SHAFT AND LEVER
23	FO6393		1	THROTTLE SHAFT POSITION RETAINING SCREW
24	FO6396		1	THROTTLE SHAFT POSITION RETAINING SCREW LOCKWASHER
25	FO3804		1	THROTTLE SHAFT POSITION RETAINING SCREW WASHER
26	FO16563		1	THROTTLE SHAFT RETURN SPRING
27	FO17639		1	THROTTLE SHUTTER
28	FO8942		2	THROTTLE SHUTTER RETAINING SCREW AND LOCKWASHER
29	F10025		1	GASKET SET
30	F10027		1	REPAIR PARTS KIT <b>INCLUDES ALL ITEMS MARKED WITH AN ASTERISK (*)</b>
39	F84314-2		1	ELBOW
40	F1997		1	LOCK NUT
41	F92759		1	ROLLER, THROTTLE CAM FOLLOWER
42	F333316		1	SHAFT, THROTTLE ROLLER
43	F461061-2		1	CARBURETOR COMPLETE (WB19C)
44	F8011		1	PLAIN WASHER
45	F90807		1	RETAINER, CHOKE ROD FOR MANUAL START MODELS

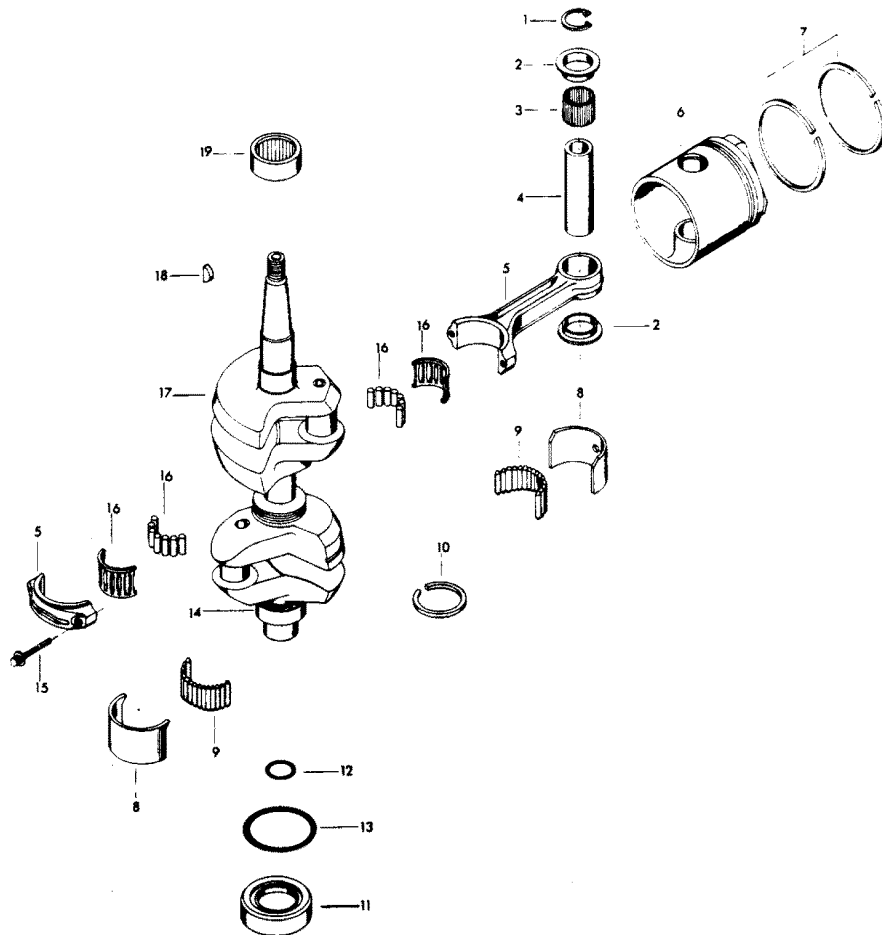
# REED PLATE



# REED PLATE

REF. NO.	PART NO.	SYM.	QTY.	DESCRIPTION
1	F2008		8	HEX HD SCREW, 1/4 - 20 X 7/8
2	F1515		2	HEX NUT, 5/16 - 18
3	F40209		2	CARBURETOR STUD
4	FA458167		1	CARBURETOR ADAPTER
5	F433168		1	GASKET, CARBURETOR ADAPTER W/STUDS
6	F1141		4	FLAT HD SCREW, 10 - 24 X 1/2
7	F433404		1	DEFLECTOR PLATE
8	F433406		1	GASKET, DEFLECTOR PLATE
9	FA458158		2	REED PLATE W/REEDS, STOPS AND SCREWS
10	F316160		4	REED
11	F88161-3		4	REED STOP
12	F1755		16	ROUND HD SCREW W/LOCKWASHER, 6 - 32 X 5/16

# CRANKSHAFT AND PISTON GROUP

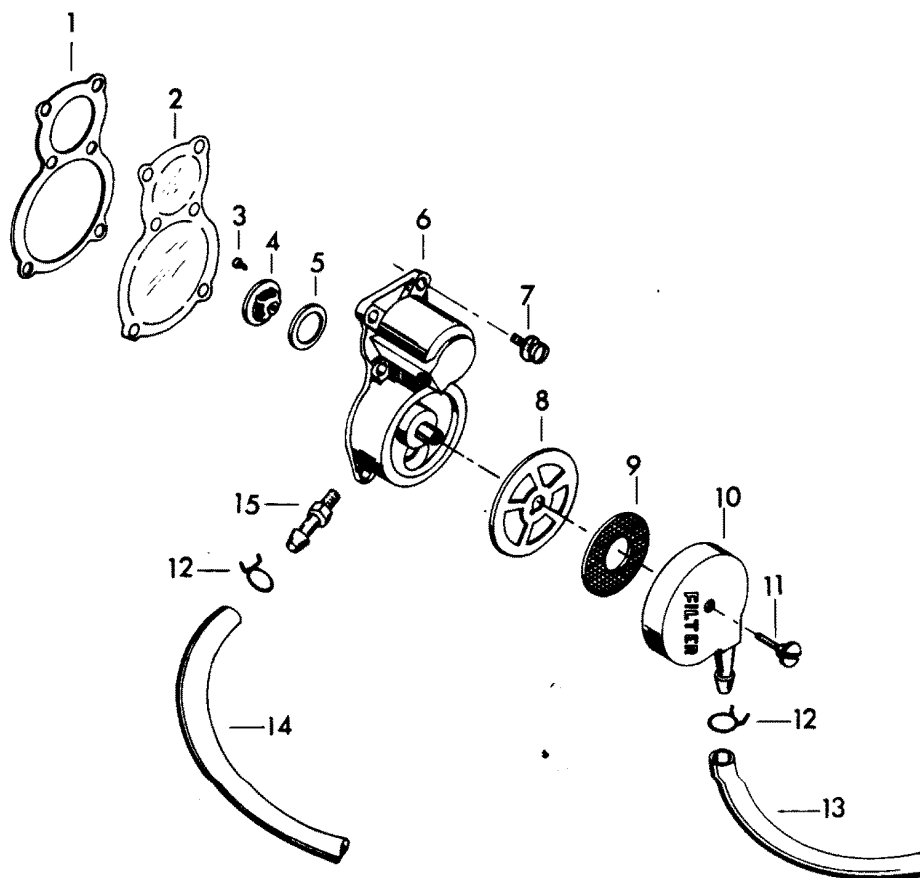




# CRANKSHAFT AND PISTON GROUP

REF. NO.	PART NO.	SYM.	QTY.	DESCRIPTION
1	F90096		4	RETAINER, PISTON PIN
2	F366215		4	SPACER, PISTON PIN
3	F335217-1		2	BEARING, PISTON PIN
4	F458017		2	PISTON PIN
5	600-818052A4		2	CONNECTING ROD W/CAP AND SCREWS
6	F458015-1		2	PISTON
7	FA458260		1	PISTON RING SET (4 PER SET)
8	FA458655		1	LINER, CENTER MAIN
9	FA458571		1	ROLLER, CENTER MAIN
10	F458579		1	SEAL, CRANKCASE
11	F2A458581		1	COLLAR W/LOWER CRANKSHAFT SEAL
12	F461342		1	SEAL, DRIVESHAFT SPLINE
13	F455305		1	SEAL, CRANKSHAFT COLLAR
14	F286028-1		1	CRANKSHAFT LOWER MAIN BEARING
15	F85634-1		4	SCREW, CONNECTING ROD
16	FK85228		2	BEARING CAGE W/ROLLERS (16 PER SET)
17	400-818058A1		1	CRANKSHAFT W/LOWER MAIN BEARING
18	F458498		1	FLYWHEEL KEY
19	F458028		1	BEARING, CRANKSHAFT UPPER MAIN
-	<b>FSA458260</b>		<b>1</b>	<b>PISTON RINGS (4 PER SET) .010 OVERSIZE (NOT SHOWN)</b>
-	<b>39-818119A1</b>		<b>1</b>	<b>PISTON RINGS (4 PER SET) .030 OVERSIZE (NOT SHOWN)</b>
-	<b>FSA458015</b>		<b>2</b>	<b>PISTON .010 OVERSIZE (NOT SHOWN)</b>
-	<b>700-818118A1</b>		<b>2</b>	<b>PISTON .030 OVERSIZE (NOT SHOWN)</b>

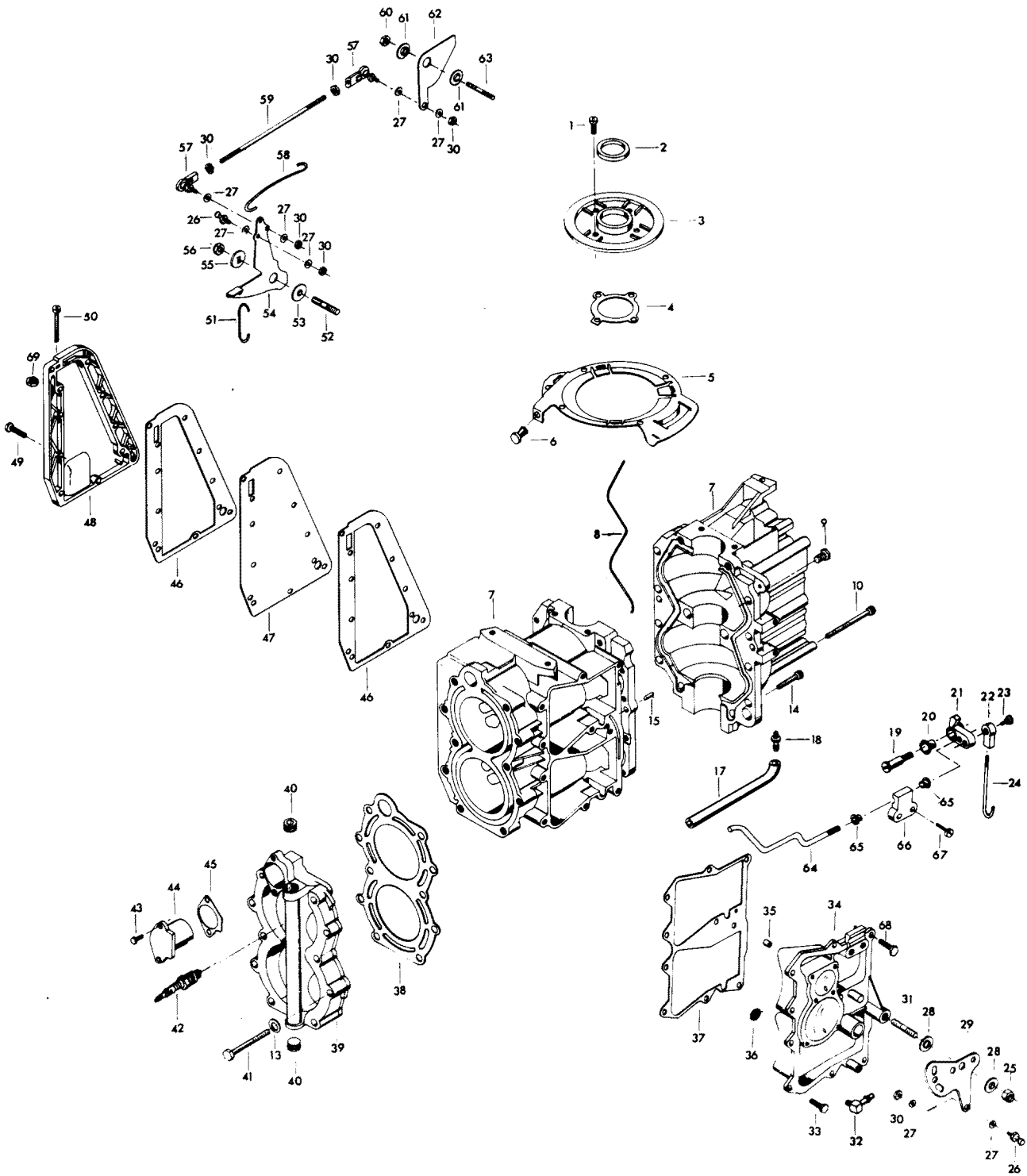
# FUEL PUMP



# FUEL PUMP

REF. NO.	PART NO.	SYM.	QTY.	DESCRIPTION
1	F438760		1	FUEL PUMP GASKET
2	F438747		1	FUEL PUMP DIAPHRAGM
3	F1860		2	BINDING HD MACHINE SCREW, 6 - 32 X 1/4
4	F177330		3	FUEL PUMP VALVE
5	F84792		3	FUEL PUMP VALVE GASKET
6	FA438431		1	FUEL PUMP BODY W/VALVES
7	F1108		6	FILL HD MACHINE SCREW W/LOCKWASHER, 1/4 - 20 X 3/4
8	F438617		1	GASKET, FUEL PUMP BOWL
9	F438653		1	SCREEN, FUEL PUMP
10	F438500		1	FUEL PUMP BOWL
11	F438165		1	SCREW, FUEL PUMP BOWL
12	F97772		4	FUEL LINE CLAMP
13	FA85754-1		1	HOSE, FUEL PUMP TO BUSHING
14	F458754		1	HOSE, FUEL PUMP TO CARBURETOR
15	F438801		1	FITTING, FUEL PUMP BODY

# POWER HEAD

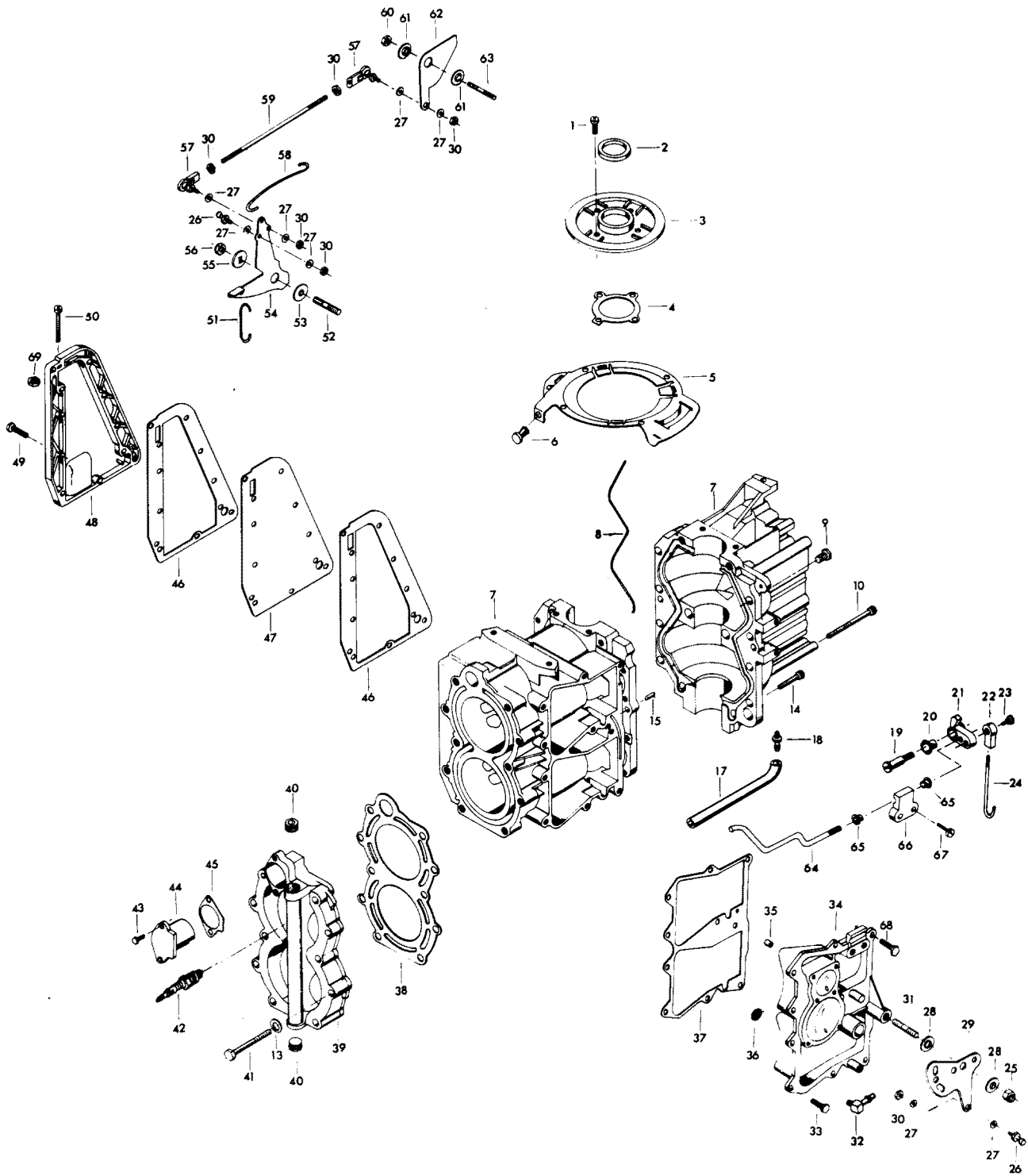


# POWER HEAD

REF. NO.	PART NO.	SYM.	QTY.	DESCRIPTION
1	F1107		4	FILL HD SCREW, 1/4 - 20 X 3/4
2	F458146		1	SEAL, CRANKSHAFT UPPER MAIN
3	FA458144		1	CRANKSHAFT BEARING CAGE
4	F458277		1	GASKET, CRANKSHAFT BEARING CAGE
5	FA504082		1	MAGNETO STATOR RING
6	F1727		1	PLASTI-RIVET
7	A458010-1		1	CYLINDER W/CRANKCASE COVER, SCREWS AND DOWEL PINS
8	F269122-1		1	SEAL, CRANKCASE PARTING LINE
9	F1864		8	HEX SLOTTED HD SCREW, 1/4 - 20 X 3/4
10	F2005		2	HEX SOCKET HD CAP SCREW, 5/16 - 18 X 2 3/4
13	F1987		10	PLAIN WASHER
14	F2013		4	HEX SOCKET HD CAP SCREW, 5/16 - 18 X 1 1/4
15	F8559		2	DOWEL PIN
17	FA458254		1	HOSE, DRAIN
18	F366801		1	FITTING
19	F85026		1	SWIVEL, SHIFT INTERLOCK LEVER
20	F307818		1	BEARING
21	F458977-3		1	LEVER, SHIFT INTERLOCK
22	F84035-2		1	BEARING, SHIFT INTERLOCK ROD
23	F84026		1	SWIVEL, SHIFT INTERLOCK BEARING
24	F458531		1	ROD, SHIFT INTERLOCK
25	F7004		1	LOCK NUT, 3/8 - 16
26	F98273		2	ROD END CONNECTOR STUD
27	F8058		8	INTERNAL TOOTH LOCKWASHER
28	F269052		2	BEARING, SHIFT LEVER
29	817808A2		1	LEVER, GEAR SHIFT
30	F1513		6	HEX NUT, 10 - 32
31	F440209		1	STUD, GEAR SHIFT LEVER
32	486314-1		1	ELBOW, DRAIN HOSE
33	F1922		1	HEX HD SCREW, 1/4 - 20 X 5/8
34	FA504222		1	TRANSFER PORT COVER <b>W/ITEM 35</b>
35	21-817741A1		2	CHECK VALVE
36	F429811		2	SCREEN, CYLINDER DRAIN
37	F458223		1	GASKET, TRANSFER PORT COVER
38	F458529		1	GASKET, CYLINDER HEAD
39	FA458518		1	CYLINDER HEAD W/PLUGS
40	F458109		2	PLUG, CYLINDER HEAD
	F458936		10	SCREW, CYLINDER HEAD
42	FS174227		2	SPARK PLUG (L-4-J)
43	F1854		2	HEX CAP SCREW, 1/4 - 20 X 5/8 (HAND START MODELS)
-	<b>F1854</b>		<b>1</b>	<b>HEX CAP SCREW, 1/4 - 20 X 5/8 (ALTERNATOR MODELS)</b>
44	F458066		1	THERMOSTAT COVER

CONTINUED ON NEXT PAGE ➡

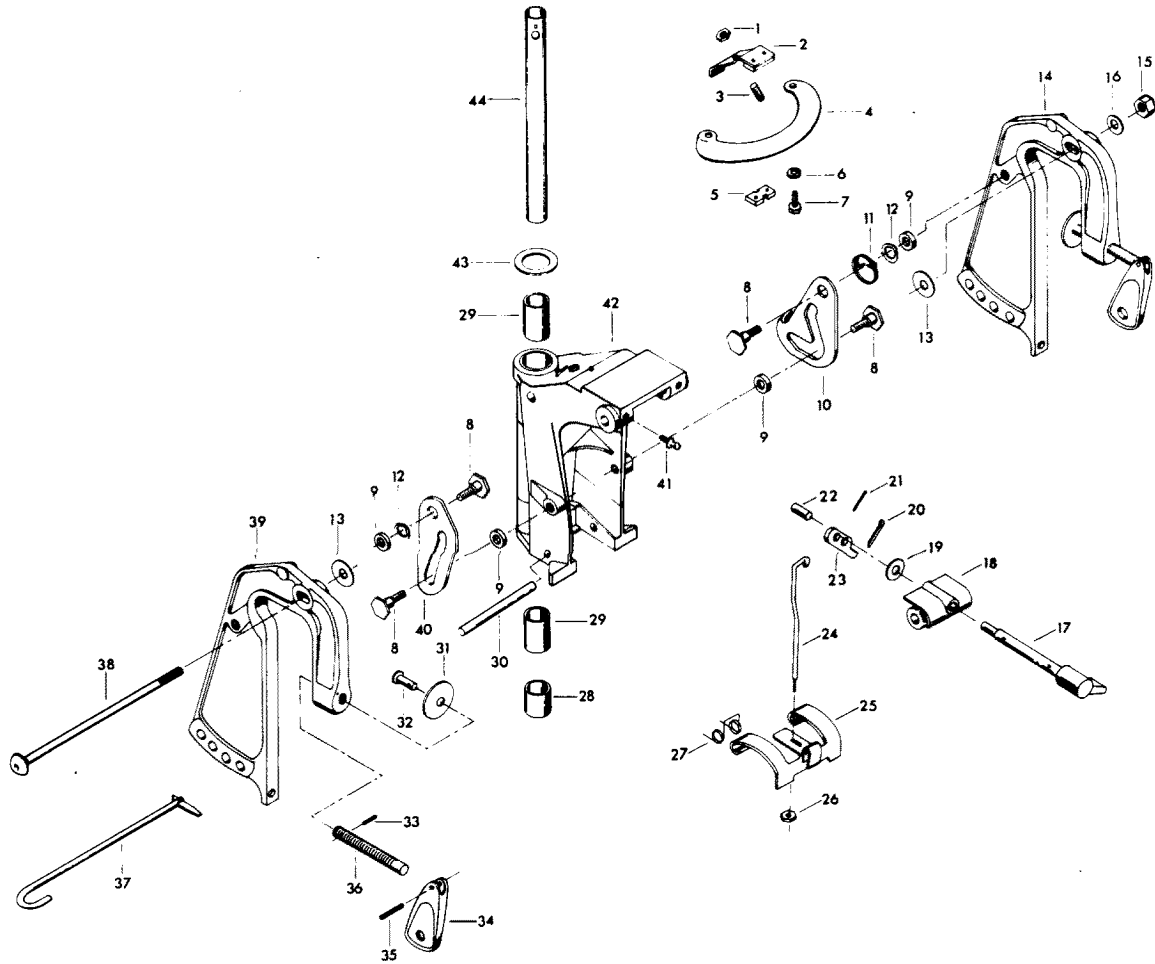
# POWER HEAD



# POWER HEAD

REF. NO.	PART NO.	SYM.	QTY.	DESCRIPTION
45	F458067		1	GASKET, THERMOSTAT COVER
46	F458154		2	GASKET, EXHAUST PORT PLATE
47	F458151		1	EXHAUST PORT PLATE
48	F458152		1	EXHAUST PORT COVER
49	F1833		10	HEX HD SCREW, 1/4 - 20 X 1
50	FK1073		1	FILL HD SCREW, 1/4 - 20 X 1 3/4
51	F458445		1	LINK, MAGNETO CONTROL SHAFT
52	F286440		1	STUD, MAGNETO CONTROL LEVER
53	F183813		1	BEARING
54	F2A458081		1	MAGNETO CONTROL LEVER W/CONNECTOR STUD
55	F286282		1	WASHER
56	F1803		1	STOP NUT
57	817747--1		1	JOINT BALL ASSEMBLY
58	F458509		1	LINK, MAGNETO STATOR
59	F458502		1	ROD, THROTTLE CAM
60	F1910		1	LOCK NUT
61	F269319		2	BEARING, THROTTLE CAM
62	F458192		1	THROTTLE CAM
63	F433209		1	STUD, THROTTLE CAM
64	F504809		1	ROD, STARTER INTERLOCK
65	F504052		2	BEARING
66	F504527		1	CAP, INTERLOCK BEARING
67	F1075		2	FILL HD. M. SCREW, 10 - 24 X 1/2
68	F1502		9	HEX CAP SCREW, 1/4 - 20 X 5/8
69	F1341		1	HEX NUT
-	<b>FG1010</b>		<b>1</b>	<b>GASKET SET (NOT SHOWN)</b>
-	<b>C461010-1</b>		<b>1</b>	<b>SHORT BLOCK FOR HAND START MODELS (NOT SHOWN)</b>
-	<b>F40906-1</b>		<b>1</b>	<b>CARBURETOR</b>
-	<b>F433168</b>		<b>1</b>	<b>CARB ADAPTER</b>
-	<b>F433406</b>		<b>1</b>	<b>DEFLECTOR PLATE</b>
-	<b>F438760</b>		<b>1</b>	<b>FUEL PUMP</b>
-	<b>F458067</b>		<b>1</b>	<b>THERMOSTAT COVER</b>
-	<b>F458154</b>		<b>2</b>	<b>EXHAUST PORT PLATE</b>
-	<b>F458223</b>		<b>1</b>	<b>TRANSFER PORT COVER</b>
-	<b>F458277</b>		<b>1</b>	<b>CRANKSHAFT BEARING CAGE</b>
-	<b>F458279</b>		<b>1</b>	<b>CYLINDER EXHAUST</b>
-	<b>F458453</b>		<b>1</b>	<b>LEG EXHAUST</b>
-	<b>F458529</b>		<b>1</b>	<b>CYLINDER HEAD</b>
-	<b>F438617</b>		<b>1</b>	<b>FUEL PUMP BOWL</b>

# SWIVEL BRACKET GROUP



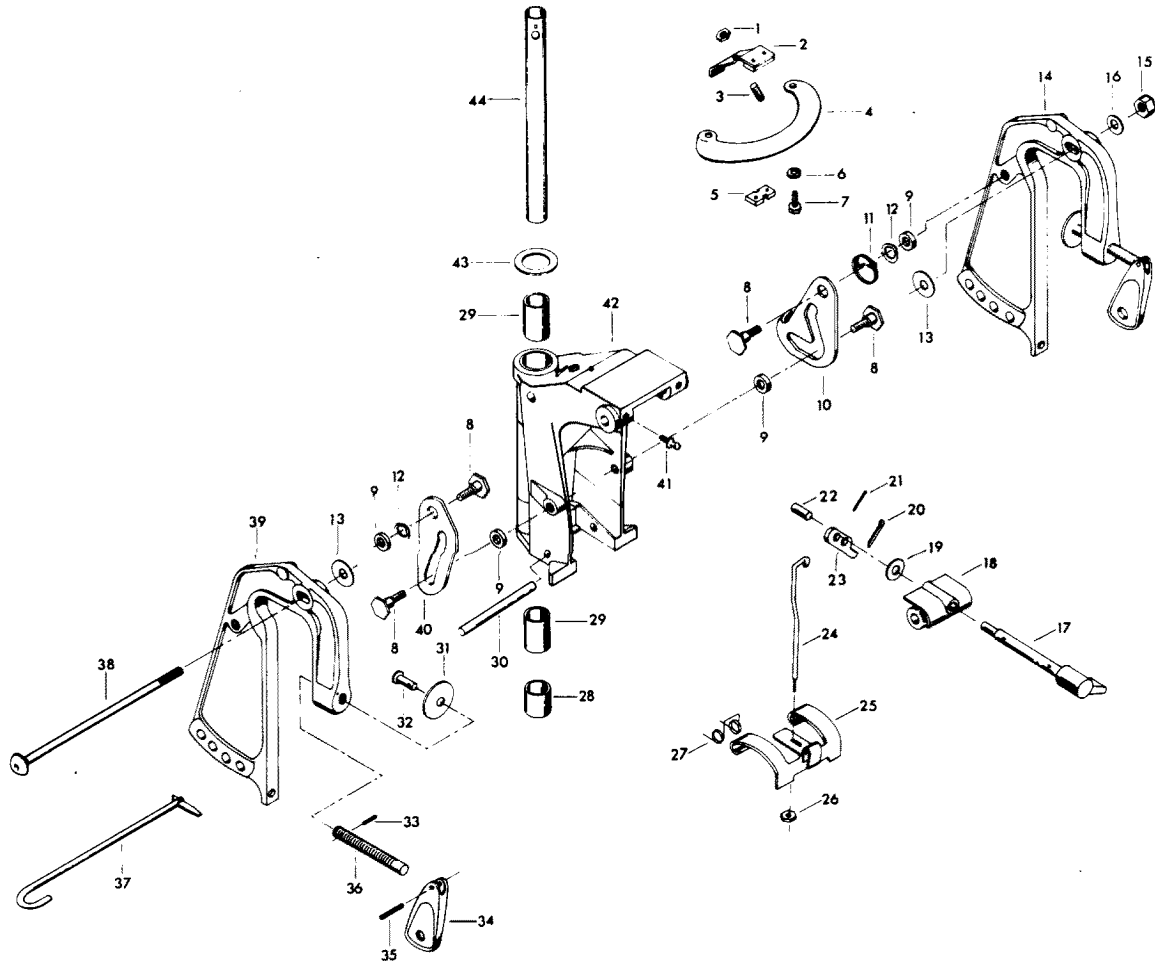


# SWIVEL BRACKET GROUP

REF. NO.	PART NO.	SYM.	QTY.	DESCRIPTION
1	F7024		1	STOP NUT
2	817882A1		1	FRICITION SHOE ADJUSTING ARM
3	F901822-1		1	STUD, SWIVEL BRACKET
4	F901775		1	PLATE, FRICTION SHOE
5	F901631-1		1	FRICTION SHOE
6	F8083		2	SPRING LOCKWASHER
7	F1689		2	HEX CAP SCREW, 1/4 - 20 X 1/2
8	F286422-1		4	PIVOT, TILT LOCK
9	F286451		4	SPACER, TILT LOCK
10	F436541		1	TILT LOCK (PORT)
11	F286544-1		2	SPRING, TILT LOCK
12	F1666		2	BOWED SPRING LOCKWASHER
13	F513286		2	WASHER, SWIVEL BRACKET FRICTION
14	S385532-1		1	STERN BRACKET PORT W/CLAMP SCREW AND FOOT
15	F7001		1	STOP NUT
16	F1656		1	PLAIN WASHER
17	F483827		1	LEVER, REVERSE LOCK
18	F483726		1	BEARING
19	F8094		1	PLAIN WASHER
20	F1014		1	COTTER PIN
21	F1836		1	SPRING PIN
22	F483884		1	BEARING
23	F366364		1	ARM, REVERSE LOCK
24	F483510-1		1	LINK, REVERSE LOCK
25	F483349-1		1	REVERSE LOCK
26	F1669		1	NUT
27	F483300		1	SPRING
28	F183990		1	SPACER, KINGPIN
29	F901169-1		2	BEARING, SWIVEL BRACKET
30	F2095		1	SPRING PIN
31	F24074		2	CLAMP SCREW FOOT
32	F66480		2	STUD
33	F8537		2	SPRING PIN
34	F288075		2	HANDLE, STERN BRACKET CLAMP SCREW
35	F1638		2	SPRING PIN
36	817776A3		2	STERN BRACKET CLAMP SCREW W/FOOT, STUD AND HANDLE
37	FA324113		1	STERN BRACKET LOCK BAR W/END
38	F145037-1		1	PIVOT BOLT
39	S385032-1		1	STERN BRACKET STARBOARD W/CLAMP SCREW AND FOOT
40	F385433		1	TILT STOP

CONTINUED ON NEXT PAGE ➡

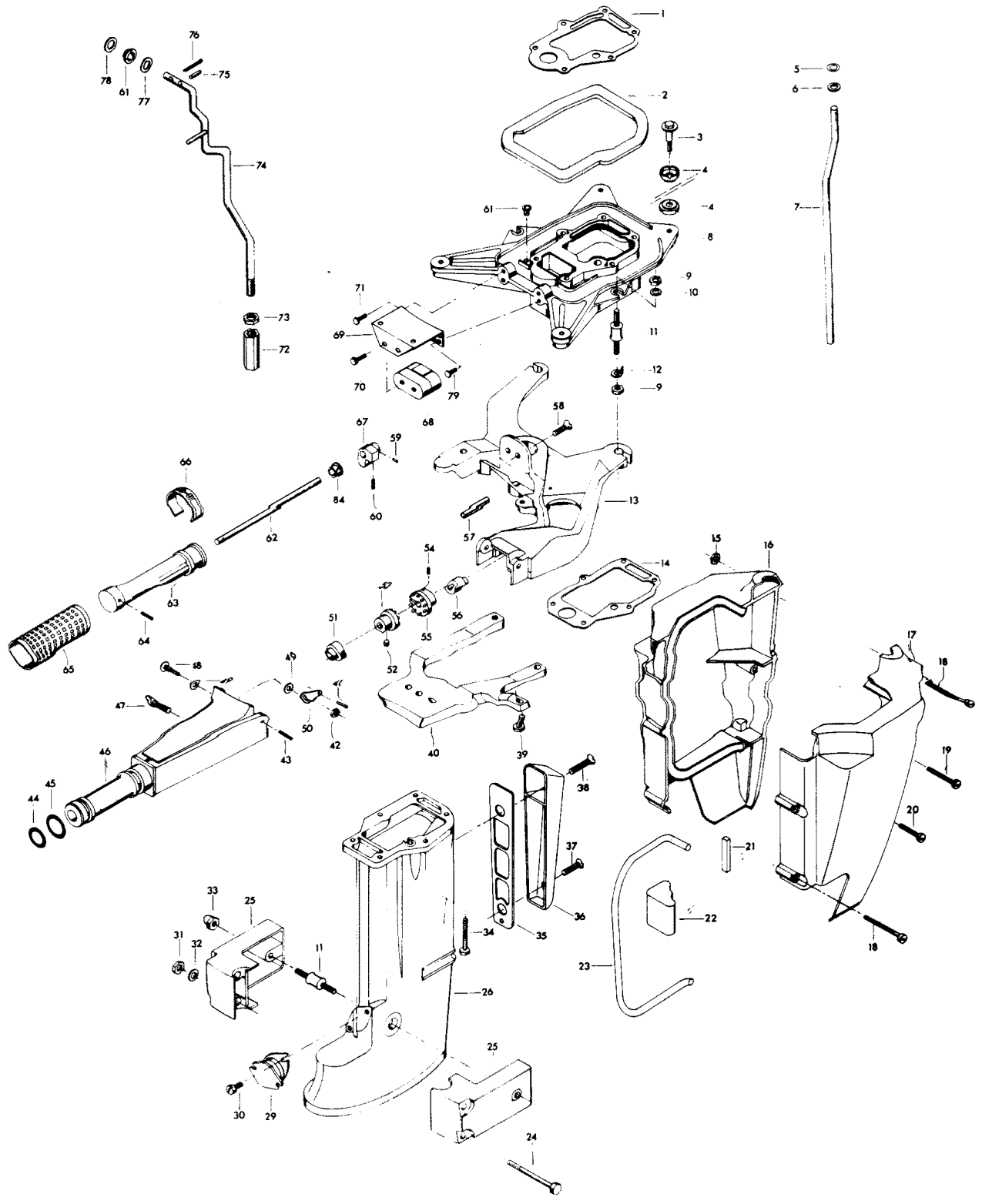
# SWIVEL BRACKET GROUP



# SWIVEL BRACKET GROUP

REF. NO.	PART NO.	SYM.	QTY.	DESCRIPTION
41	F213274		3	GREASE FITTING
42	FA483072		1	SWIVEL BRACKET W/BEARINGS AND GREASE FITTINGS
43	F901011		1	WASHER, SWIVEL BRACKET
44	F190019-1		1	KINGPIN
-	<b>F369390-1</b>		<b>1</b>	<b>DECAL, REVERSE LOCK (NOT SHOWN)</b>

# MOTOR LEG

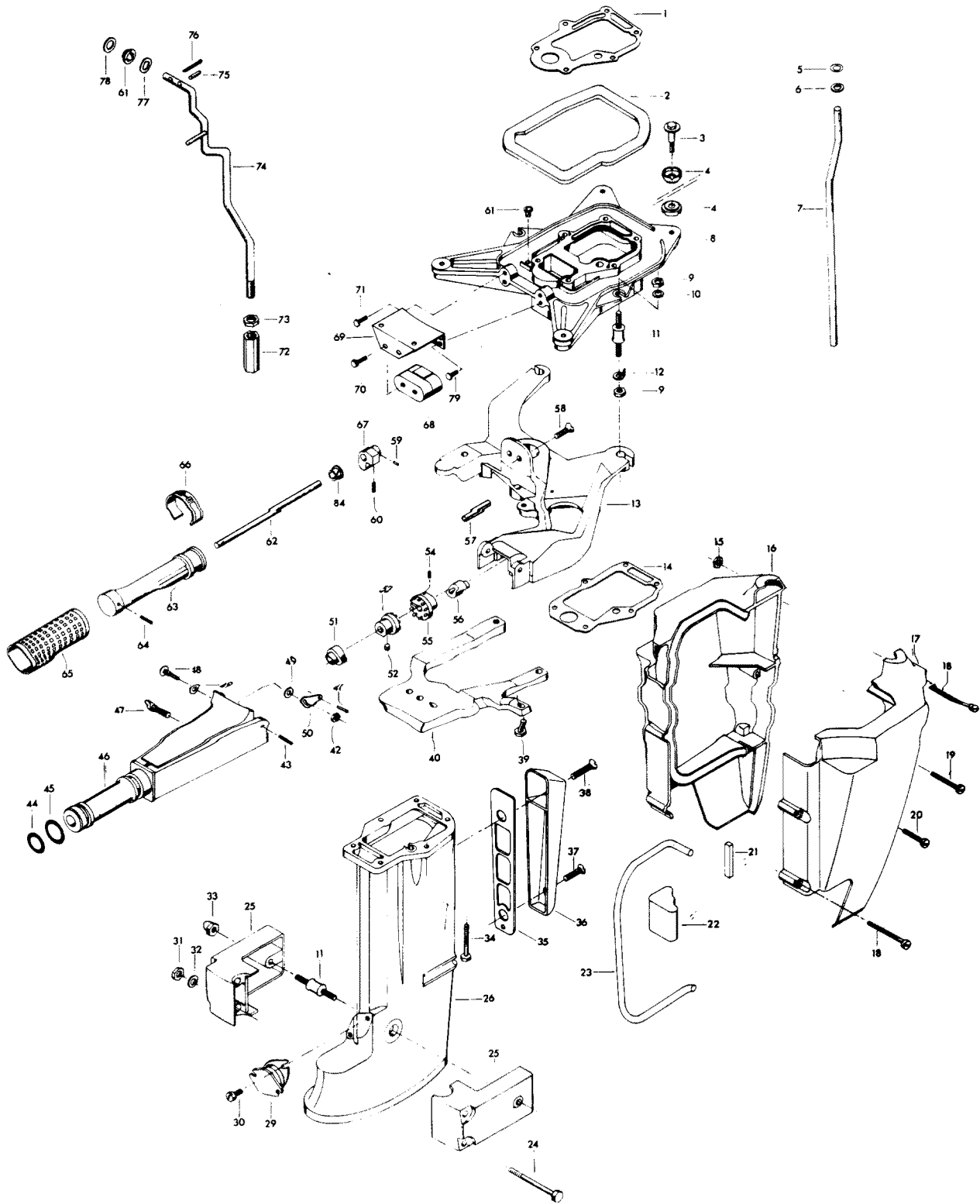


# MOTOR LEG

REF. NO.	PART NO.	SYM.	QTY.	DESCRIPTION
1	F458279		1	GASKET, CYLINDER EXHAUST
2	F183756-1		1	PACKING, SUPPORT PLATE
3	F458887		4	FASTENER, SUPPORT PLATE MOUNT
4	F458347		8	MOUNT, SUPPORT PLATE
5	F24342		1	SEAL, WATER LINE UPPER
6	F2014		1	PLAIN WASHER
7	F142244		1	INLET WATER LINE
8	F458963		1	PLATE, SHOCK MOUNT
9	F1346		4	HEX NUT, 3/8 - 16
10	F1778		2	PLAIN WASHER
11	F458962		4	SHOCK MOUNT
12	F458076		2	TAB, SHOCK MOUNT SIDE
13	817809A1		1	PLATE, KINGPIN MOUNTING
14	F458453		1	GASKET, LEG EXHAUST
15	F1473		5	HEX NUT
16	F2A436145		1	MOTOR LEG COVER, STARBOARD W/PACKING
17	F2A436135		1	MOTOR LEG COVER, PORT W/PACKING
18	F1810		3	FILL HD SCREW, 10 - 24 X 2 1/2
19	F1811		1	FILL HD SCREW, 10 - 24 X 1 7/8
20	F1768		1	FILL HD SCREW, 10 - 24 X 1 3/8
21	F190323-1		1	PACKING, LEG COVER UPPER FRONT
22	F436322		2	PACKING, LEG COVER LOWER FRONT
23	F190321-1		2	PACKING, LEG COVER
24	F1491		2	HEX CAP SCREW, 5/16 - 18 X 3 1/4
25	F461707-1		2	COVER, SHOCK MOUNT LOWER
26	F461133-2		1	MOTOR LEG
29	F183346-1		1	SHOCK MOUNT LOWER THRUST
30	F1129		2	FILL HD SCREW, 5/16 - 18 X 1/2
31	F1515		2	HEX NUT, 5/16 - 18
32	F8096		2	SPRING LOCKWASHER
33	F2009		2	ACORN NUT, 3/8 - 16
34	F458166-2		6	SCREW, MOTOR LEG TO CYLINDER
35	F190833		1	GASKET, MOTOR LEG EXHAUST COVER
36	F190832-2		1	COVER, MOTOR LEG EXHAUST
37	F1150		1	FLAT HD SCREW, 1/4 - 20 X 1 1/8
38	F1148		1	FLAT HD SCREW, 1/4 - 20 X 1 1/2
39	F1745		3	HEX HD SCREW W/SPRING LOCKWASHER, 5/16 - 18 X 1
40	F385647		1	CARRYING HANDLE
41	F8550		1	SPRING PIN FOR MANUAL START MODELS
42	F1832		1	LOCK NUT FOR MANUAL START MODELS
43	F1664		1	SPRING PIN FOR MANUAL START MODELS
44	F215795		1	SEAL, STEERING HANDLE GRIP FOR MANUAL START MODELS

CONTINUED ON NEXT PAGE ➡

# MOTOR LEG

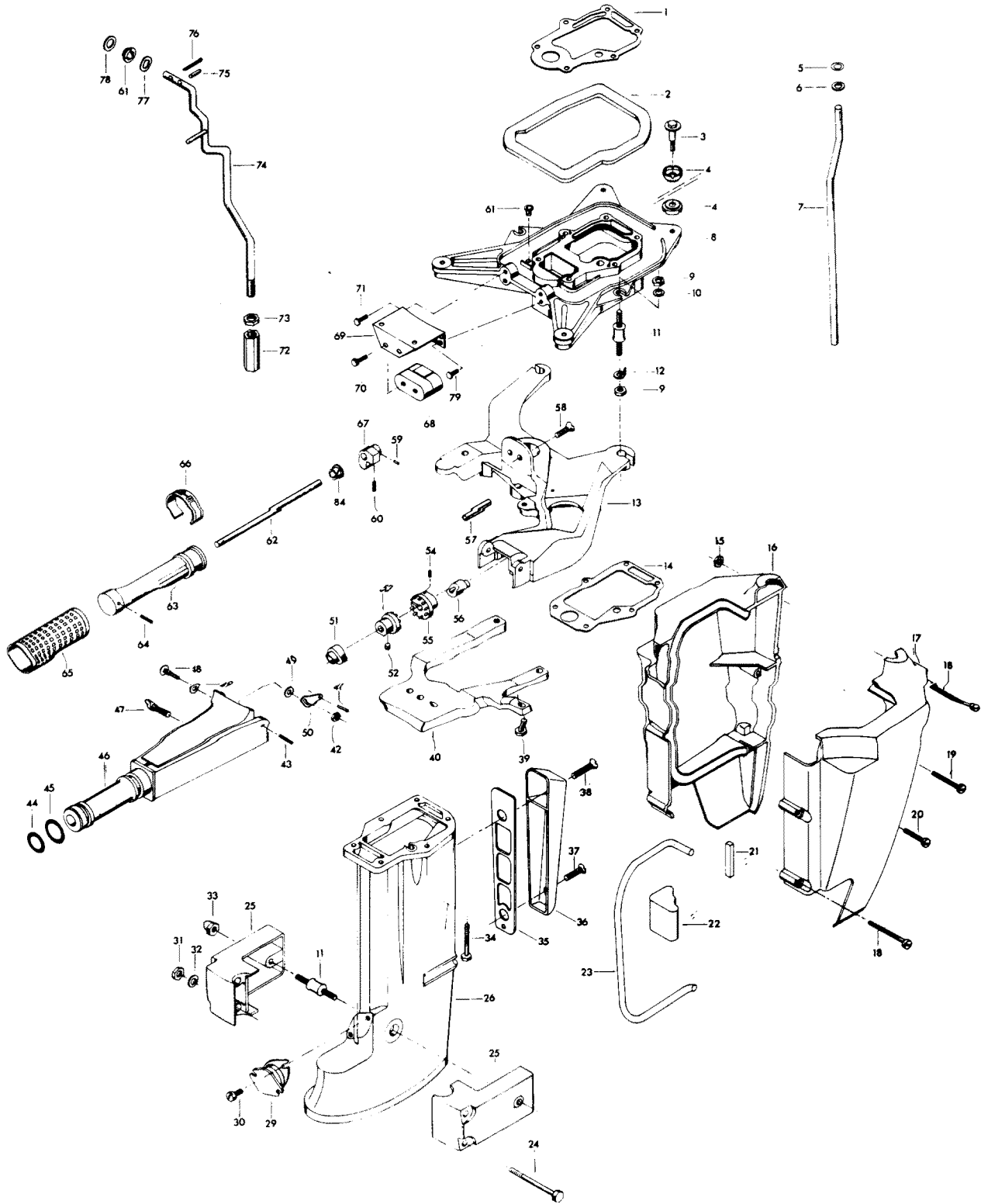


# MOTOR LEG

REF. NO.	PART NO.	SYM.	QTY.	DESCRIPTION
45	F53795-1		1	SEAL, STEERING HANDLE GRIP FOR MANUAL START MODELS
46	F458079		1	STEERING HANDLE FOR MANUAL START MODELS
47	F458519		1	SCREW, TILLER IDLE STOP FOR MANUAL START MODELS
48	F295080		1	STEERING HANDLE PIVOT BOLT FOR MANUAL START MODELS
49	F295175		2	WASHER, STEERING HANDLE PIVOT BOLT FOR MANUAL START MODELS
50	F295457		1	WASHER, RETAINING STEERING HANDLE PIVOT BOLT FOR <b>MANUAL START MODELS</b>
51	F295689		1	BEARING, STEERING HANDLE GEAR FOR MANUAL START MODELS
52	F1954		1	HEX SOCKET HEADLESS SET SCREW, 5/16 - 24 X 1/4, FOR <b>MANUAL START MODELS</b>
53	FA413815		1	GEAR, STEERING HANDLE W/SET SCREW FOR MANUAL START MODELS
54	F1642		1	SOCKET HD CAP SCREW, 10 - 24 X 3/4 FOR MANUAL START MODELS
55	F288691		1	GEAR, MAGNETO CONTROL SHAFT FOR MANUAL START MODELS
56	F288689		1	BEARING, MAGNETO CONTROL SHAFT FOR MANUAL START MODELS
57	F1663		1	SPRING PIN
58	F1160		2	FLAT HD SCREW, 1/4 - 28 X 5/8
59	F1978		1	SPRING PIN FOR MANUAL START MODELS
60	F458690		1	SCREW, THROTTLE STOP FOR MANUAL START MODELS
61	F85610		2	BEARING
62	F458688		1	SHAFT, STEERING HANDLE FOR MANUAL START MODELS
63	FA456137		1	STEERING HANDLE GRIP W/SLEEVE FOR MANUAL START MODELS
64	F8548		1	SPRING PIN FOR MANUAL START MODELS
65	F458695		1	SLEEVE, STEERING HANDLE GRIP FOR MANUAL START MODELS
66	F286894-3		1	INDICATOR, SPEED CONTROL FOR MANUAL START MODELS
67	F458198		1	THROTTLE STOP FOR MANUAL START MODELS
68	F203965		1	SHOCK MOUNT UPPER THRUST
69	F40956		1	BRACKET, SHOCK MOUNT UPPER THRUST
70	F1211		2	HEX HD SCREW W/SPRING LOCKWASHER, 1/4 - 28 X 5/8
71	F1472		2	SLOTTED HEX CAP SCREW W/SPRING LOCKWASHER, 1/4 - 20 X 3/4
72	F901704		1	COUPLING, GEAR SHIFT ROD
73	F1341		1	HEX NUT, 1/4 - 20
74	F461615		1	GEAR SHIFT ROD UPPER
75	F1978		1	SPRING PIN
76	F1020		1	COTTER PIN
77	F8049		1	BOWED WASHER
78	F1987		1	PLAIN WASHER

CONTINUED ON NEXT PAGE ➡

# MOTOR LEG

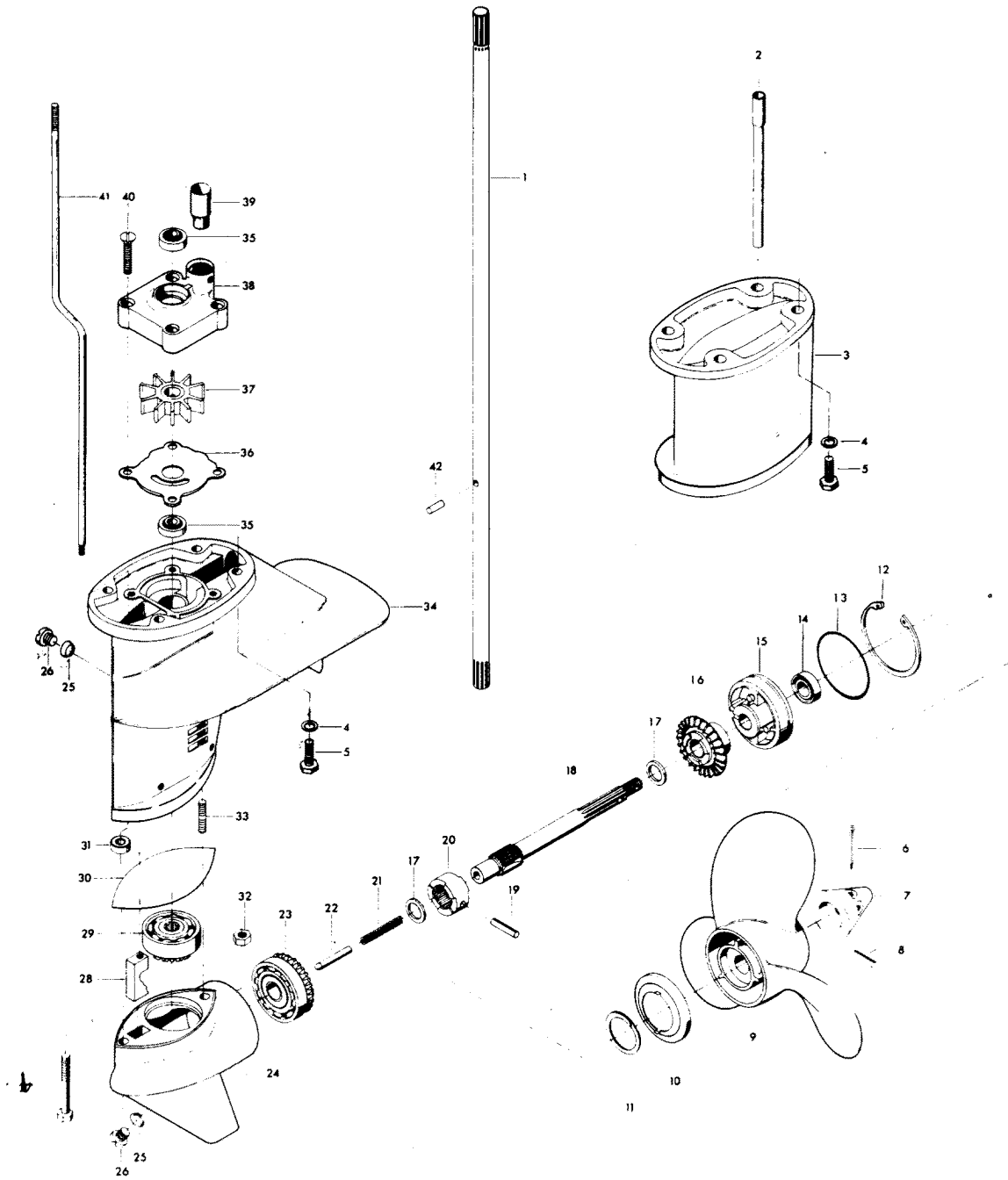




# MOTOR LEG

REF. NO.	PART NO.	SYM.	QTY.	DESCRIPTION
79	F1502		2	HEX CAP SCREW, 1/4 - 20 X 5/8
84	F85610		1	BEARING FOR MANUAL START MODELS

# GEAR HOUSING

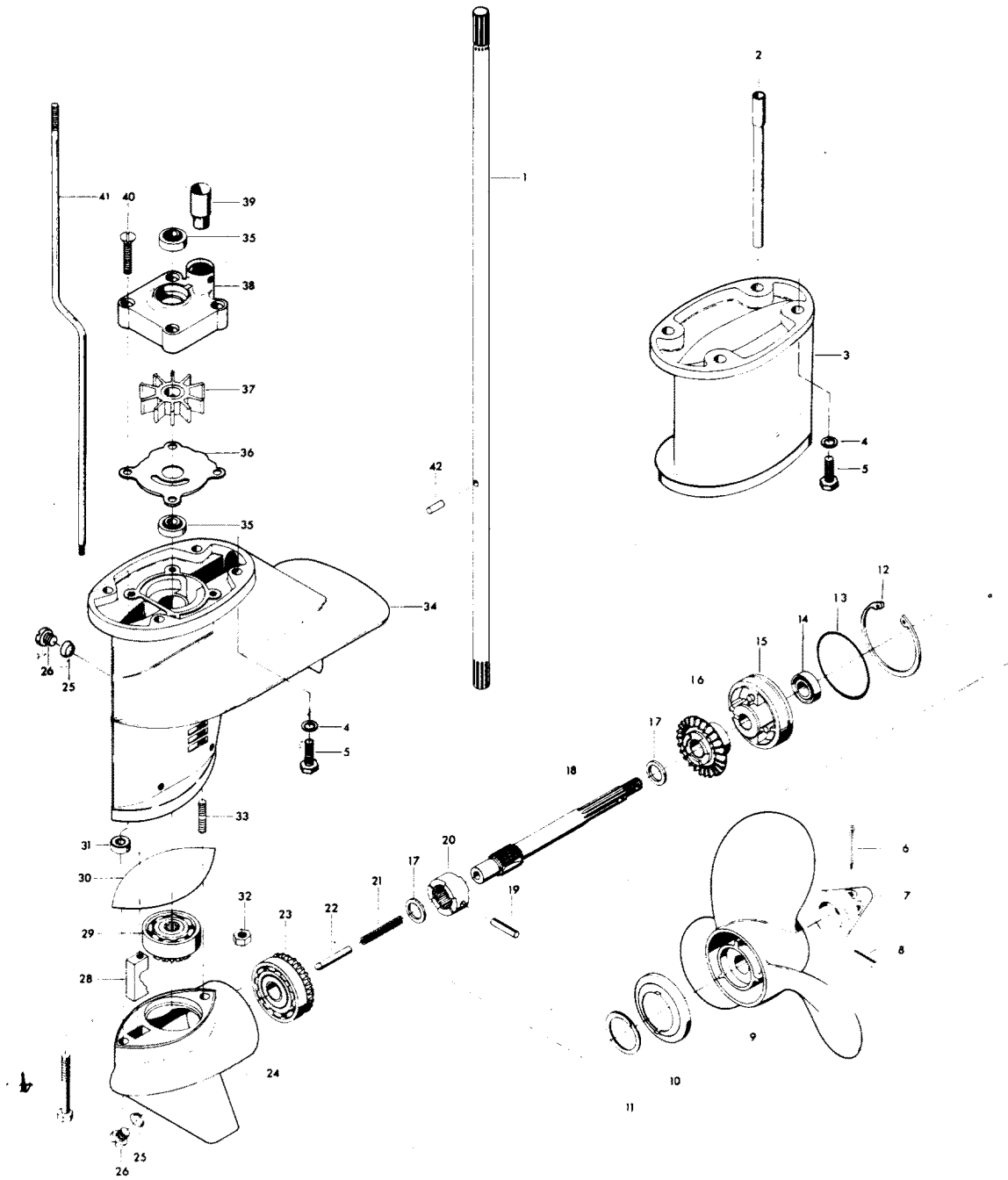


# GEAR HOUSING

REF. NO.	PART NO.	SYM.	QTY.	DESCRIPTION
1	F436128		1	DRIVESHAFT FOR STANDARD SHAFT MODELS
-	<b>F437128</b>		<b>1</b>	<b>DRIVESHAFT FOR LONG SHAFT MODELS</b>
2	FS901244		1	EXTENSION, INLET WATER LINE
3	F461845		1	MOTOR LEG EXTENSION
4	F8096		8	SPRING LOCKWASHER
5	F2019		8	HEX CAP SCREW, 5/16 - 18 X 1 1/4
6	F1024		1	COTTER PIN
7	F461094-1		1	PROPELLER NUT
8	FA324101		1	PROPELLER PIN PACK OF 3 W/COTTER PIN
9	P346		1	PROPELLER (ACCESSORY ITEM)
10	F54262		1	WEED GUARD
11	F53983		1	RETAINING RING, WEED GUARD
12	F50411		1	RETAINING RING
13	F74305		1	SEAL, PROP SHAFT BEARING CAGE
14	F346118		1	SEAL, PROPELLER SHAFT
15	FA324298		1	PROP SHAFT BEARING CAGE <b>W/BEARING AND ITEM 14</b>
16	FA437662		1	BEVEL GEAR REAR W/BEARING
17	F456717		2	THRUST WASHER, BEVEL GEAR
18	FA437098		1	PROPELLER SHAFT
19	F1970		1	SPRING PIN
20	F437521		1	CLUTCH
21	F437719		1	CLUTCH SPRING
22	F901728		1	CLUTCH SHIFT PIN
23	FA437023		1	BEVEL GEAR FRONT W/BEARING
24	FK78054-4		1	GEAR HOUSING LOWER W/PLUG AND WASHER
25	F8077		2	WASHER, GEAR HOUSING PLUG
26	F50109		2	PLUG GEAR HOUSING
27	F1888		1	HEX SOCKET HD CAP SCREW, 5/16 - 18 X 2 5/16
28	F901721		1	CLUTCH SHIFT CAM
29	FA78266-1		1	BEVEL PINION W/BEARING
30	F483555		1	SEAL, GEAR HOUSING
31	F338618-1		1	SEAL, GEAR SHIFT ROD LOWER
32	F1515		1	FINISHED HEX NUT, 5/16 - 18
33	F901008		1	STUD, GEAR HOUSING
34	A190554-4		1	GEAR HOUSING UPPER <b>W/ITEMS 25, 26, 31 AND 35</b>
35	F901307-2		2	SEAL, DRIVESHAFT AND WATER PUMP
36	F341562		1	BACK PLATE, WATER PUMP
37	F436065		1	IMPELLER, WATER PUMP
38	FA504060		1	WATER PUMP BODY <b>W/ITEM 35</b>
39	FA510914		1	SEAL, WATER LINE LOWER

CONTINUED ON NEXT PAGE ➡

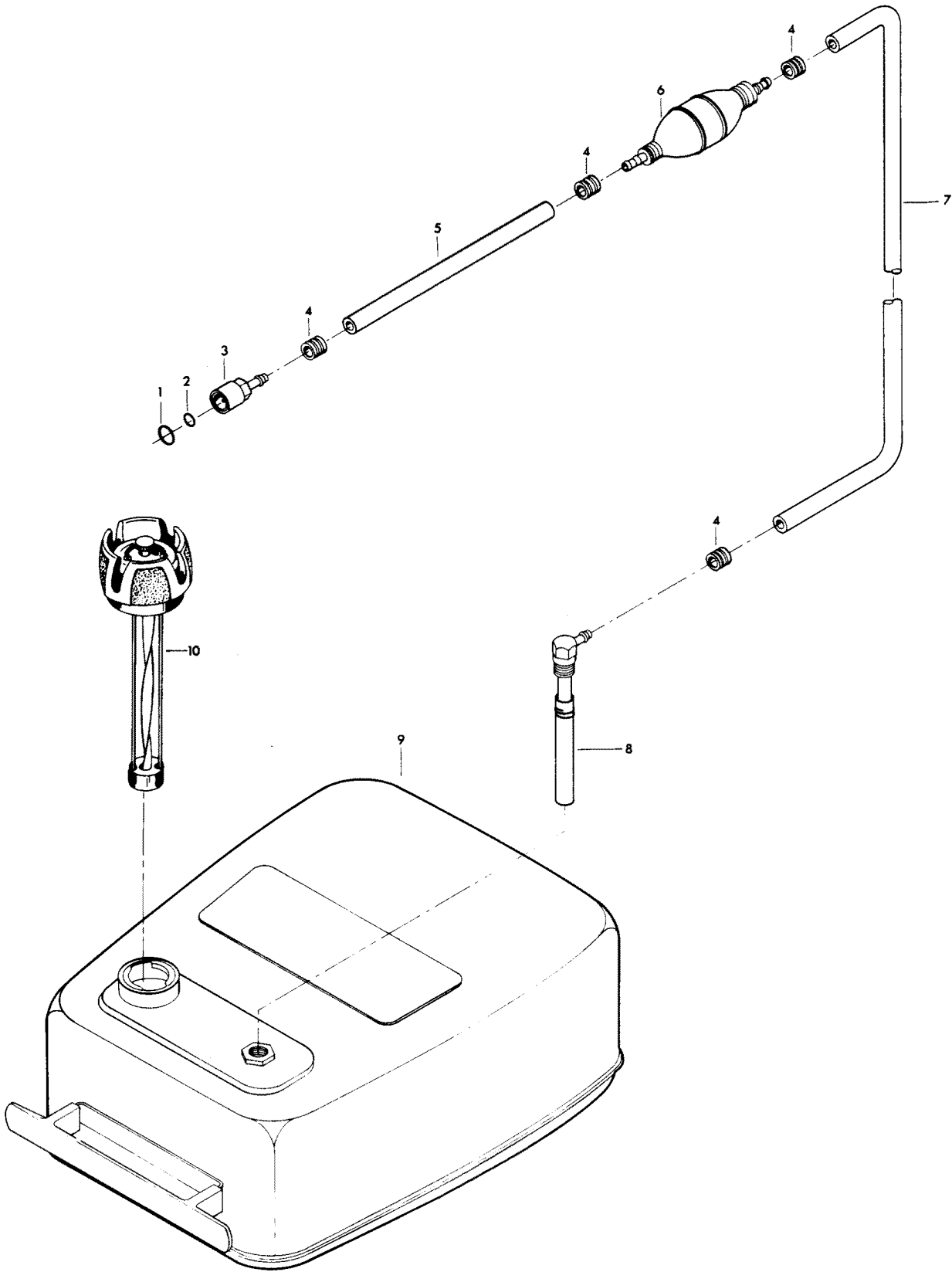
# GEAR HOUSING



# GEAR HOUSING

REF. NO.	PART NO.	SYM.	QTY.	DESCRIPTION
40	F1699		4	FLAT HD SCREW, 1/4 - 20 X 1 1/8
41	FS504705		1	GEAR SHIFT ROD LOWER FOR STANDARD SHAFT MODELS
-	<b>FS505705</b>		<b>1</b>	<b>GEAR SHIFT ROD LOWER FOR LONG SHAFT MODELS</b>
42	F901563		1	DRIVE PIN, WATER PUMP IMPELLER
-	<b>1600-817898A1</b>		<b>1</b>	<b>LOWER GEAR HOUSING COMPLETE (NOT SHOWN) INCLUDES ALL ITEMS MARKED WITH AN ASTERISK (*) ORIGINAL FORCE P/N C461054-1</b>

# FUEL TANK AND LINE



# FUEL TANK AND LINE

REF. NO.	PART NO.	SYM.	QTY.	DESCRIPTION
1	F213342		1	SEAL, FUEL LINE COUPLER
2	F213735		1	SEAL, FUEL LINE COUPLER
3	F197787-3		1	FUEL LINE COUPLER
4	F298788		4	FERRULE
5	FA84754-1		1	FUEL LINE SHORT W/CLAMPS
6	89396A38		1	PRIME BULB
7	32-817738A1		1	FUEL LINE LONG W/CLAMPS AND FERRULE
8	F487755		1	FUEL TANK ADAPTER
9	F5H027		1	FUEL TANK (ACCESSORY ITEM)
10	F409251-1		1	GAUGE CAP
-	<b>FS409752</b>		<b>1</b>	<b>FUEL LINE COMPLETE (NOT SHOWN)</b>

## SPECIAL TOOLS - TUNE-UP

REF. NO.	PART NO.	SYM.	QTY.	DESCRIPTION
-	FT2910		0	KNOCK-OFF NUT TO REMOVE FLYWHEEL
-	FTA2937-1		0	TIMING TOOL TO ADJUST SPARK ADVANCE
-	T8974		0	POINT TENSION GAUGE TO MEASURE BREAKER POINT SPRING TENSION



## SPECIAL TOOLS - POWER HEAD

REF. NO.	PART NO.	SYM.	QTY.	DESCRIPTION
-	FT8971		0	SEAL INSTALLER TO INSTALL UPPER CRANKSHAFT BEARING CAGE SEAL
-	FT8967		0	SEAL PROTECTOR TO PROTECT UPPER CRANKSHAFT BEARING CAGE SEAL DURING INSTALLATION
-	FT2953		0	SOCKET TO TORQUE CONNECTING ROD SCREWS
-	FT2990		0	PISTON PIN REMOVER TO REMOVE AND INSTALL PISTON PIN IN PISTON
-	FT8926		0	RING EXPANDER TO INSTALL RINGS ON PISTONS
-	FT2996		0	RING COMPRESSOR TO INSTALL PISTONS IN CYLINDERS
-	FT8977		0	SEAL COLLAR INSTALLER TO INSTALL CRANKSHAFT LOWER SEAL COLLAR
-	FT8976		0	SEAL PROTECTOR TO PROTECT CRANKSHAFT LOWER SEAL DURING INSTALLATION.

## SPECIAL TOOLS - LOWER UNIT

REF. NO.	PART NO.	SYM.	QTY.	DESCRIPTION
-	FT8948-1		0	PROPELLER SHAFT BEARING CAGE PULLER TO REMOVE PROPELLER SHAFT BEARING CAGE FROM LOWER GEAR HOUSING
-	FT8919		0	SPRING PIN PUNCH TO REMOVE CLUTCH SPRING PIN
-	FT2907		0	DRIVESHAFT SEAL INSTALLER TO INSTALL DRIVESHAFT SEAL
-	FT8957		0	SEAL INSTALLER TO INSTALL SHIFT ROD SEAL

## SPECIAL TOOLS - TEST EQUIPMENT

REF. NO.	PART NO.	SYM.	QTY.	DESCRIPTION
-	FT8968A		0	TEST WHEEL TO TEST MOTOR IN TEST TANK
-	FT8932		0	LIFTING HOOK TO LIFT ENGINE
-	FT8950		0	LEAKAGE TESTER TO TEST LOWER UNIT FOR LEAKAGE

# ACCESSORIES

REF. NO.	PART NO.	SYM.	QTY.	DESCRIPTION
-	F5H081		0	BATTERY CABLE LONG LENGTH - 15 FEET
-	F5H019		0	ANTI-CORROSION KIT ELECTRICAL UNIT USED TO HELP PREVENT CORROSION.
-	F5H025		0	ANTI-CORROSION SACRIFICIAL ANODE USED TO HELP PREVENT CORROSION.
-	5H051		0	BATTERY, 74 AMP TWELVE VOLT HEAVY DUTY BATTERY TO OPERATE STARTER AND ELECTRICAL ACCESSORIES.
-	F5H021		0	BATTERY EXTENSION CABLE USED TO EXTEND BATTERY CABLE 6 1/2 FEET.
-	493		0	HANDLE PROVIDES REAR HANDLE AND REST PADS.
-	F5H020		0	CARRYING HANDLE PERMITS EASIER TRANSPORTATION OF ENGINE TO AND FROM BOAT (2 MAN).
-	F588		0	FLUSHING ADAPTER PERMITS FRESH WATER FLUSHING OF WATER PASSAGES WITH STANDARD GARDEN HOSE.
-	F5H008		0	FUEL GAUGE FLUSH MOUNT MONITORS FUEL SUPPLY. ELECTRIC START MODELS.
-	F5H028		0	SENDING UNIT FOR USE WITH ABOVE FUEL GAUGES.
-	F5H062		0	WATER PUMP HEAVY DUTY WATER PUMP RECOMMENDED FOR CONTINUED OPERATION IN SANDY OR SALT WATER.
-	F5H060		0	FROST WHITE LACQUER ENGINE TOUCH-UP PAINT IN 16 OZ. SPRAY BOMBS (12 CANS PER CASE).
-	5H016		0	GOLD LACQUER ENGINE TOUCH-UP PAINT IN 16 OZ. SPRAY BOMBS (12 CANS PER CASE).
-	F476		0	FUEL LINE ADAPTION KIT ADAPTS MODEL 71H09 FUEL TANK FOR DISCONNECT AT TANK.
-	F5H027		0	STEEL, 6 GALLON FUEL TANK AUXILIARY TANK.
-	F5H029		0	FUEL TANK ANCHOR SECURES 71H09 TO DECK.
-	5H065		0	CANVAS HOOD PROTECTION FOR ENGINE COVER.
-	F5H070		0	REMOTE ELECTRIC CABLE 21 FEET.
-	F5H004		0	SPEEDOMETER FLUSH MOUNT 0 TO 50 M.P.H.
-	F5H072		0	OVERHEAT BUZZER KIT FOR ELECTRIC START MODELS. WARNS OF ENGINE OVERHEATING.
-	167		0	IGNITION CUT-OFF KIT ALLOWS STOPPING OF ALL MAGNETO ENGINES FROM DASH.
-	F5H077		0	IGNITION KEY SWITCH FOR ELECTRIC START MODELS SHORT BARREL.
-	F5H078		0	IGNITION KEY SWITCH FOR ELECTRIC START MODELS LONG BARREL.
-	FK1025		0	LONG LEG CONVERSION KIT CONVERTS 15" STANDARD SHAFT MODELS TO 20" LONG SHAFT MODELS.
-	F195/___		0	REMOTE CONTROL CABLE CONNECTS REMOTE CONTROL BOX TO THROTTLE AND GEAR SHIFT ON MOTOR. AVAILABLE IN 6 THROUGH 20 FOOT LENGTHS.
-	F5H063		0	REMOTE CONTROL SURFACE MOUNT (SINGLE LEVER) PERMITS REMOTE CONTROL OF THROTTLE AND GEAR SHIFT FROM STARBOARD SIDE OF BOAT.
-	5H067		0	PORT SIDE DECAL KIT CONVERTS 72H36 CONTROL BOX TO PORT SIDE MOUNTING.

CONTINUED ON NEXT PAGE ➡

# ACCESSORIES

REF. NO.	PART NO.	SYM.	QTY.	DESCRIPTION
-	F590		0	REMOTE CONTROL FLUSH MOUNT (SINGLE LEVER) PERMITS REMOTE CONTROL OF THROTTLE AND GEAR SHIFT. MAY BE MOUNTED ON PORT OR STARBOARD SIDE OF BOAT.
-	865		0	REMOTE CONTROL SURFACE MOUNT (SINGLE LEVER) PERMITS REMOTE CONTROL OF THROTTLE AND GEAR SHIFT ON TWIN ENGINE INSTALLATION. MAY BE MOUNTED ON PORT OR STARBOARD SIDE OF BOAT.
-	F137		0	REMOTE STEERING BRACKET ADAPTS MOTOR TO CABLE TYPE REMOTE STEERING.
-	F165		0	REMOTE STEERING BRACKET ADAPTS MOTOR TO CABLE TYPE REMOTE STEERING.
-	F5H018		0	DUAL ENGINE TIE BAR PERMITS DUAL ENGINE INSTALLATION.
-	F5H086		0	STARTER CONVERSION CONVERTS HAND START MODELS TO ELECTRIC START.
-	F74H01		0	VOLTMETER FLUSH MOUNT - INDICATES BATTERY CONDITION. ELECTRIC START MODELS.

# SPECIFICATIONS

REF. NO.	PART NO.	SYM.	QTY.	DESCRIPTION
-			0	HORSEPOWER 25 B.I.A. CERTIFIED BRAKE H.P. AT 5000 R.P.M.
-			0	MOTOR TWO-CYCLE, TWIN CYLINDER, ALTERNATE FIRING.
-			0	BORE AND STROKE 2 13/16" BORE X 2.300" STROKE.
-			0	DISPLACEMENT 28.57 CUBIC INCHES.
-			0	CONNECTING RODS FORGED ALLOY STEEL. CAGED ROLLER BEARINGS AT CRANKSHAFT. CASED NEEDLE BEARINGS AT PISTON PIN.
-			0	CRANKSHAFT FORGED ALLOY STEEL. BALL BEARINGS AT LOWER MAIN. ROLLER BEARINGS AT CENTER AND UPPER MAIN.
-			0	CORROSION PROTECTION ALODINE TREATED CASTINGS. STAINLESS STEEL DRIVESHAFT, PROPELLER SHAFT, GEAR SHIFT ROD AND UNDERWATER FASTENERS.
-			0	FUEL TANK SEPARATE STEEL TANK, 6 U.S. GALLON, 5 IMPERIAL GALLON CAPACITY.
-			0	FUEL SYSTEM VACUUM - TYPE FUEL PUMP, FLOAT FEED CARBURETOR WITH FIXED HIGH SPEED JET AND ADJUSTABLE LOW SPEED JET.
-			0	FUEL FILTERS FILTER SCREENS IN FUEL TANK AND FUEL PUMP.
-			0	COOLING WATER COOLED, POSITIVE DISPLACEMENT TYPE WATER PUMP.
-			0	TRANSOM HEIGHT 15" OR 20" DEPENDING ON MODEL.
-			0	WEIGHT 105 - 112 LBS. FOR STANDARD SHAFT MODELS.
-			0	TILT LOCK POSITIVE TILT LOCK PERMITS ENGINE TO REMAIN IN TILTED POSITION WHEN NOT IN USE.
-			0	RECOMMENDED OPERATING RANGE 4500-5500 R.P.M.
-			0	PROPELLER ALUMINUM ALLOY, 8 1/2" DIAMETER, 10" PITCH, RIGHT HAND ROTATION.

# LUBRICATION CHART

REF. NO.	PART NO.	SYM.	QTY.	DESCRIPTION
-			0	UPPER AND LOWER GEAR HOUSINGS CHECK AFTER EVERY THIRTY HOURS OF OPERATION AND REPLACE AFTER EVERY 100 HOURS WITH A NON-CORROSIVE LEADED OUTBOARD GEAR OIL -- CHRYSLER OUTBOARD GEAR LUBE. DO NOT USE CORROSIVE HYPOID OIL UNDER ANY CIRCUMSTANCE.
-			0	CONTROL LINKAGE LUBRICATE ALL MOVING PARTS AND CONTROL LINKAGE WITH RYKON # 2EP, PART NUMBER T2961 TWICE EACH SEASON OR OFTENER IF REQUIRED.
-			0	STERN BRACKET LUBRICATE STERN BRACKET AND ASSOCIATED PARTS WITH RYKON # 2#P, PART NUMBER T2961, TWICE EACH SEASON OR OFTENER IF REQUIRED.
-			0	GREASE FITTING GREASE FITTINGS ARE PROVIDED AT CRITICAL POINTS WHERE BEARING SURFACES ARE NOT EXPOSED EXTERNALLY. USING AN AUTOMOTIVE TYPE GREASE GUN AND LUBRICANT, GREASE TWICE EACH SEASON OR OFTENER IF REQUIRED.
-			0	STARTER PINION GEAR LUBRICATE WITH RYKON # 2EP, PART NUMBER T2961, TWICE EACH SEASON OR OFTENER IF REQUIRED.

# SPECIAL ADJUSTMENTS

REF. NO.	PART NO.	SYM.	QTY.	DESCRIPTION
-			0	BREAKER POINT GAP .020" FOR MAGNETO MODELS.
-			0	BREAKER POINT GAP .015" FOR ALTERNATOR MODELS
-			0	SPARK PLUG CHAMPION L-4-J, GAP .030"
-			0	FLYWHEEL NUT TORQUE TO 45 FOOT POUNDS.
-			0	CYLINDER HEAD BOLT TORQUE TO 225 INCH POUNDS.
-			0	POINT OF THROTTLE OPENING 1. UNSNAP BALL JOINT CONNECTOR FROM THROTTLE CAM.
-			0	POINT OF THROTTLE OPENING 2. WITH THROTTLE SHUTTER IN CARBURETOR CLOSED, ADJUST ECCENTRIC SCREW HOLDING THROTTLE ROLLER TO THROTTLE SHAFT SO THAT PICK-UP LINE ON LOWER END OF THROTTLE CAM IS EXACTLY CENTERED ON THROTTLE ROLLER.
-			0	POINT OF THROTTLE OPENING 3. ADVANCE THROTTLE MAGNETO CONTROL LEVER AND THROTTLE CAM TO FULL ADVANCE POSITION. (THROTTLE SHUTTER HORIZONTAL.)
-			0	POINT OF THROTTLE OPENING 4. ADJUST BALL JOINT CONNECTORS UNTIL SPACING IS IDENTICAL TO SPACING BETWEEN CONNECTOR STUD ON THROTTLE CAM AND MAGNETO CONTROL LEVER.
-			0	POINT OF THROTTLE OPENING



# PARTS INDEX

Part Number	Description	Pg.	Ref. No.	Part Number	Description	Pg.	Ref. No.
167	IGNITION CUT-OFF KIT . . . .	42	-	F1160	FLAT HD SCREW, 1/4 - 28 X		
486314-1	ELBOW, DRAIN HOSE . . . . .	19	32		5/8 . . . . .	29	58
493	HANDLE . . . . .	42	-	F12083	CONDENSER MOUNTING		
505180	TRIM, REAR . . . . .	3	8		SCREW . . . . .	9	2
505386	DECAL . . . . .	5	60	F12088	GROMMET, LEAD WIRE . . .	9	13
505392	DECAL, "CHRYSLER" . . . . .	3	16	F12111	HEX HD SCREW W/SPRING		
505396	DECAL, STRIPE				LOCKWASHER, 1/4 - 28 X		
	STARBOARD . . . . .	5	-		5/8 . . . . .	29	70
505397	DECAL, STRIPE PORT . . . . .	5	71	F12127	STUD NUT . . . . .	9	15
5H016	GOLD LACQUER . . . . .	42	-	F12128	INSULATOR, OUTSIDE . . . .	9	17
5H051	BATTERY, 74 AMP . . . . .	42	-	F12129	INSULATOR, INSIDE . . . . .	9	19
5H065	CANVAS HOOD . . . . .	42	-	F12142	CONNECTION STUD . . . . .	9	18
5H067	PORT SIDE DECAL KIT . . . . .	42	-	F12146	COIL WEDGE SPRING . . . . .	9	11
817747--1	JOINT BALL ASSEMBLY . . . . .	21	57	F12153	BREAKER POINT SET . . . . .	9	20
817776A3	STERN BRACKET CLAMP			F12170	CONTACT SCREW		
	SCREW W/FOOT, STUD				W/LOCKWASHER . . . . .	9	22
	AND HANDLE . . . . .	23	36	F12181-1	CONDENSER . . . . .	9	3
817808A2	LEVER, GEAR SHIFT . . . . .	19	29	F12186	GROUND LEAD . . . . .	9	4
817809A1	PLATE, KINGPIN MOUNTING			F12228	CAM WIPER FELT . . . . .	9	21
817882A1	FRICTION SHOE ADJUSTING			F12346	STATOR PLATE		
	ARM . . . . .	23	2		W/LAMINATIONS . . . . .	9	9
817938A1	RETAINER, STARTER ROPE			F1236	HEX CAP SCREW, 1/4 - 20 X		
	HANDLE FOR MANUAL				1/2 . . . . .	3	26
	START MODELS . . . . .	7	12	F1293	DRIVE SCREWS . . . . .	5	54
817955A1	HOUSING, HAND STARTER			F1341	HEX NUT . . . . .	21	69
865	REMOTE CONTROL			F1341	HEX NUT, 1/4 - 20 . . . . .	29	73
	SURFACE MOUNT			F1346	HEX NUT, 3/8 - 16 . . . . .	27	9
	(SINGLE LEVER) . . . . .	43	-	F137	REMOTE STEERING		
89396A38	PRIME BULB . . . . .	37	6		BRACKET . . . . .	43	-
A190554-4	GEAR HOUSING UPPER . . . . .	33	34	F142244	INLET WATER LINE . . . . .	27	7
A458010-1	CYLINDER W/CRANKCASE			F145037-1	PIVOT BOLT . . . . .	23	38
	COVER, SCREWS AND			F1472	SLOTTED HEX CAP SCREW		
	DOWEL PINS . . . . .	19	7		W/SPRING LOCKWASHER,		
C461010-1	SHORT BLOCK FOR HAND				1/4 - 20 X 3/4 . . . . .	29	71
	START MODELS (NOT			F1473	HEX NUT . . . . .	27	15
	SHOWN) . . . . .	21	-	F1473	HEX NUT, 10 - 24 . . . . .	5	67
F10025	GASKET SET . . . . .	11	29	F1475	FILL HD SCREW, 10 - 24 X		
F10027	REPAIR PARTS KIT . . . . .	11	30		1/2 . . . . .	3	15
F1014	COTTER PIN . . . . .	23	20	F1491	HEX CAP SCREW, 5/16 - 18		
F1020	COTTER PIN . . . . .	29	76		X 3 1/4 . . . . .	27	24
F1024	COTTER PIN . . . . .	33	6	F1500	RD HD SHEET METAL		
F1075	FILL HD. M. SCREW, 10 - 24				SCREW, 4 X 1/4 FOR		
	X 1/2 . . . . .	21	67		MANUAL START MODELS	7	24
F1087	FILL HD SCREW, 10 - 24 X			F1502	HEX CAP SCREW, 1/4 - 20 X		
	7/8 . . . . .	3	36		5/8 . . . . .	21	68
F1092	FILL HD SCREW, 10 - 32 X			F1502	HEX CAP SCREW, 1/4 - 20 X		
	5/8 . . . . .	9	10		5/8 . . . . .	31	79
F1107	FILL HD SCREW, 1/4 - 20 X			F1502	HEX HD SCREW, 1/4 - 20 X		
	3/4 . . . . .	19	1		5/8 . . . . .	3	18
F1108	FILL HD MACHINE SCREW			F1513	HEX NUT . . . . .	9	7
	W/LOCKWASHER, 1/4 - 20			F1513	HEX NUT, 10 - 32 . . . . .	19	30
	X 3/4 . . . . .	17	7	F1515	FINISHED HEX NUT, 5/16 -		
F1129	FILL HD SCREW, 5/16 - 18 X				18 . . . . .	33	32
	1/2 . . . . .	27	30	F1515	HEX JAM NUT, 5/16 - 18 . . .	5	57
F1141	FLAT HD SCREW, 10 - 24 X			F1515	HEX NUT, 5/16 - 18 . . . . .	13	2
	1/2 . . . . .	13	6	F1515	HEX NUT, 5/16 - 18 . . . . .	27	31
F1148	FLAT HD SCREW, 1/4 - 20 X			F154317	CLAMP, REMOTE CABLE . . .	3	28
	1 1/2 . . . . .	27	38	F1632	PLASTI-PLUG . . . . .	3	22
F1150	FLAT HD SCREW, 1/4 - 20 X			F1638	SPRING PIN . . . . .	7	22
	1 1/8 . . . . .	27	37	F1638	SPRING PIN . . . . .	23	35

# PARTS INDEX

Part Number	Description	Pg.	Ref. No.	Part Number	Description	Pg.	Ref. No.
F1642	SOCKET HD CAP SCREW, 10 - 24 X 3/4 FOR MANUAL START MODELS	29	54	F185764	RETAINING RING	5	56
F165	REMOTE STEERING BRACKET	43	-	F1859	HEX SOCKET HEADLESS SET SCREW, 1/4 - 28 X 3/16	3	33
F1656	PLAIN WASHER	23	16	F1859	HEX SOCKET HEADLESS SET SCREW, 1/4- 28 X 3/16	5	47
F1663	SPRING PIN	29	57	F1860	BINDING HD MACHINE SCREW, 6 - 32 X 1/4	17	3
F1664	SPRING PIN FOR MANUAL START MODELS	27	43	F1864	HEX SLOTTED HD SCREW, 1/4 - 20 X 3/4	19	9
F1666	BOWED SPRING LOCKWASHER	23	12	F1864	SLOTTED HEX HD SCREW, 1/4 - 20 X 3/4 (HAND START MODELS)	7	1
F1669	NUT	23	26	F1888	HEX SOCKET HD CAP SCREW, 5/16 - 18 X 2 5/16	33	27
F1689	HEX CAP SCREW, 1/4 - 20 X 1/2	23	7	F190019-1	KINGPIN	25	44
F1699	FLAT HD SCREW, 1/4 - 20 X 1 1/8	35	40	F190321-1	PACKING, LEG COVER	27	23
F1727	PLASTI-RIVET	19	6	F190323-1	PACKING, LEG COVER UPPER FRONT	27	21
F1745	HEX HD SCREW W/SPRING LOCKWASHER, 5/16 - 18 X 1	27	39	F190832-2	COVER, MOTOR LEG EXHAUST	27	36
F1753	FASTENER	3	12	F190833	GASKET, MOTOR LEG EXHAUST COVER	27	35
F1755	ROUND HD SCREW W/LOCKWASHER, 6 - 32 X 5/16	13	12	F1910	LOCK NUT	21	60
F1760	PAN HD SCREW, 10 - 24 X 3/8	3	24	F1922	HEX HD SCREW, 1/4 - 20 X 5/8	19	33
F1760	PAN HD. SCREW, 10 - 24 X 3/8	5	63	F1927	PAN HD SCREW, 10 - 32 X 3/8	7	4
F1768	FILL HD SCREW, 10 - 24 X 1 3/8	27	20	F195/___	REMOTE CONTROL CABLE	42	-
F177330	FUEL PUMP VALVE	17	4	F1954	HEX SOCKET HEADLESS SET SCREW, 5/16 - 24 X 1/4,	29	52
F1778	PLAIN WASHER	27	10	F1970	SPRING PIN	33	19
F1803	STOP NUT	21	56	F197787-3	FUEL LINE COUPLER	37	3
F1810	FILL HD SCREW, 10 - 24 X 2 1/2	27	18	F1978	SPRING PIN	29	75
F1811	FILL HD SCREW, 10 - 24 X 1 7/8	27	19	F1978	SPRING PIN FOR MANUAL START MODELS	29	59
F18132-1	HANDLE, STARTER ROPE	7	26	F1987	PLAIN WASHER	19	13
F1832	LOCK NUT FOR MANUAL START MODELS	27	42	F1987	PLAIN WASHER	29	78
F1833	HEX HD SCREW, 1/4 - 20 X 1	21	49	F1997	LOCK NUT	11	40
F183300	SPRING, LATCH SHAFT	5	55	F2004	FILL HD SCREW, 8 - 32 X 3/8	7	15
F183300	SPRING, MAGNETO CONTROL SHAFT	3	34	F2005	HEX SOCKET HD CAP SCREW, 5/16 - 18 X 2 3/4	19	10
F183346-1	SHOCK MOUNT LOWER THRUST	27	29	F2008	HEX HD SCREW, 1/4 - 20 X 7/8	13	1
F183504	GROMMET, MAGNETO CONTROL SHAFT	3	31	F2009	ACORN NUT, 3/8 - 16	27	33
F1836	SPRING PIN	5	49	F2010	FILL HD SCREW W/SPRING LOCKWASHER, 10 - 32 X 9/16	9	23
F1836	SPRING PIN	23	21	F2012	PLAIN WASHER (HAND START MODELS)	7	27
F183756-1	PACKING, SUPPORT PLATE	27	2	F2013	HEX SOCKET HD CAP SCREW, 5/16 - 18 X 1 1/4	19	14
F183813	BEARING	21	53	F2014	PLAIN WASHER	27	6
F183818	BEARING, CHOKE ROD	3	23	F2019	HEX CAP SCREW, 5/16 - 18 X 1 1/4	33	5
F183990	SPACER, KINGPIN	23	28	F2021	FLYWHEEL NUT	7	14
F1854	HEX CAP SCREW, 1/4 - 20 X 5/8 (ALTERNATOR MODELS)	19	-	F2025	PAN HD SCREW, 10 X 5/8	3	4
F1854	HEX CAP SCREW, 1/4 - 20 X 5/8 (HAND START MODELS)	19	43	F2026	PLASTIC RIVET	5	65

# PARTS INDEX

Part Number	Description	Pg.	Ref. No.	Part Number	Description	Pg.	Ref. No.
F203965	SHOCK MOUNT UPPER THRUST	29	68	F2A458081	MAGNETO CONTROL LEVER W/CONNECTOR STUD	21	54
F2040	HEX HD MACHINE SCREW, 1/4 - 20 X 5/8	7	19	F2A458581	COLLAR W/LOWER CRANKSHAFT SEAL	15	11
F2066	PAN HD SCREW, 10 X 3/8	3	6	F2A504614	KNOB, GEAR SHIFT W/SHAFT AND INDICATOR	3	43
F2095	SPRING PIN	23	30	F307818	BEARING	5	51
F2107	SLOTTED FILL HD SCREW W/SPRING LOCKWASHER, 10 - 24 X 5/8	3	29	F307818	BEARING	19	20
F213274	GREASE FITTING	25	41	F307818	BEARING, LATCH SHAFT	3	39
F213342	SEAL, FUEL LINE COUPLER	37	1	F316160	REED	13	10
F213735	SEAL, FUEL LINE COUPLER	37	2	F324689	BEARING, MAGNETO CONTROL SHAFT	3	35
F215795	SEAL, STEERING HANDLE GRIP FOR MANUAL START MODELS	27	44	F324840-1	GROMMET, REMOTE SHIFT CABLE	5	52
F24074	CLAMP SCREW FOOT	23	31	F324840-1	GROMMET, REMOTE THROTTLE CABLE	3	30
F24342	SEAL, WATER LINE UPPER	27	5	F324993	BRACKET, CHOKE ROD BEARING	3	25
F24623-1	GROMMET, GEAR SHIFT, CHOKE ROD	3	45	F333316	SHAFT, THROTTLE ROLLER	11	42
F269052	BEARING, SHIFT LEVER	19	28	F335217-1	BEARING, PISTON PIN	15	3
F269122-1	SEAL, CRANKCASE PARTING LINE	19	8	F338618-1	SEAL, GEAR SHIFT ROD LOWER	33	31
F269319	BEARING, THROTTLE CAM	21	61	F341562	BACK PLATE, WATER PUMP	33	36
F286028-1	CRANKSHAFT LOWER MAIN BEARING	15	14	F346118	SEAL, PROPELLER SHAFT	33	14
F286282	WASHER	21	55	F366215	SPACER, PISTON PIN	15	2
F286422-1	PIVOT, TILT LOCK	23	8	F366364	ARM, REVERSE LOCK	23	23
F286440	STUD, MAGNETO CONTROL LEVER	21	52	F366801	FITTING	19	18
F286451	SPACER, TILT LOCK	23	9	F369390-1	DECAL, REVERSE LOCK (NOT SHOWN)	25	-
F286544-1	SPRING, TILT LOCK	23	11	F385433	TILT STOP	23	40
F286547	CHOKE KNOB	3	41	F385647	CARRYING HANDLE	27	40
F286894-3	INDICATOR, SPEED CONTROL FOR MANUAL START MODELS	29	66	F40209	CARBURETOR STUD	13	3
F288075	HANDLE, STERN BRACKET CLAMP SCREW	23	34	F40906-1	CARBURETOR	21	-
F288689	BEARING, MAGNETO CONTROL SHAFT FOR MANUAL START MODELS	29	56	F40906-1	FLANGE GASKET	11	9
F288691	GEAR, MAGNETO CONTROL SHAFT FOR MANUAL START MODELS	29	55	F409251-1	GAUGE CAP	37	10
F295080	STEERING HANDLE PIVOT BOLT FOR MANUAL START MODELS	29	48	F40956	BRACKET, SHOCK MOUNT UPPER THRUST	29	69
F295175	WASHER, STEERING HANDLE PIVOT BOLT FOR MANUAL START MODELS	29	49	F429811	SCREEN, CYLINDER DRAIN	19	36
F295457	WASHER, RETAINING STEERING HANDLE PIVOT BOLT	29	50	F433168	CARB ADAPTER	21	-
F295689	BEARING, STEERING HANDLE GEAR FOR MANUAL START MODELS	29	51	F433168	GASKET, CARBURETOR ADAPTER W/STUDS	13	5
F298788	FERRULE	37	4	F433209	STUD, THROTTLE CAM	21	63
F2A436135	MOTOR LEG COVER, PORT W/PACKING	27	17	F433404	DEFLECTOR PLATE	13	7
F2A436145	MOTOR LEG COVER, STARBOARD W/PACKING	27	16	F433406	DEFLECTOR PLATE	21	-
				F433406	GASKET, DEFLECTOR PLATE	13	8
				F434767	BUSHING, FUEL LINE	5	70
				F436065	IMPELLER, WATER PUMP	33	37
				F436128	DRIVESHAFT FOR STANDARD SHAFT MODELS	33	1
				F436322	PACKING, LEG COVER LOWER FRONT	27	22
				F436449	SHORTING SWITCH FOR MANUAL START MODELS	9	5
				F436541	TILT LOCK (PORT)	23	10
				F437128	DRIVESHAFT FOR LONG SHAFT MODELS	33	-
				F437521	CLUTCH	33	20
				F437719	CLUTCH SPRING	33	21

# PARTS INDEX

Part Number	Description	Pg.	Ref. No.	Part Number	Description	Pg.	Ref. No.
F438165	SCREW, FUEL PUMP BOWL	17	11	F458347	MOUNT, SUPPORT PLATE	27	4
F438500	FUEL PUMP BOWL	17	10	F458371	BRACKET, REMOTE THROTTLE CABLE	3	27
F438617	FUEL PUMP BOWL	21	-	F458424	SPRING, STARTER PAWL PLATE	7	9
F438617	GASKET, FUEL PUMP BOWL	17	8	F458445	LINK, MAGNETO CONTROL SHAFT	21	51
F438653	SCREEN, FUEL PUMP	17	9	F458453	GASKET, LEG EXHAUST	27	14
F438747	FUEL PUMP DIAPHRAGM	17	2	F458453	LEG EXHAUST	21	-
F438760	FUEL PUMP	21	-	F458456	HAND STARTER COLLAR	7	13
F438760	FUEL PUMP GASKET	17	1	F458498	FLYWHEEL KEY	15	18
F438801	FITTING, FUEL PUMP BODY	17	15	F458502	ROD, THROTTLE CAM	21	59
F440209	STUD, GEAR SHIFT LEVER	19	31	F458503	CHOKE ROD	3	21
F455305	SEAL, CRANKSHAFT COLLAR	15	13	F458509	LINK, MAGNETO STATOR	21	58
F456717	THRUST WASHER, BEVEL GEAR	33	17	F458519	SCREW, TILLER IDLE STOP FOR MANUAL START MODELS	29	47
F458003	STARTER INTERLOCK LEVER	7	23	F458529	CYLINDER HEAD	21	-
F458015-1	PISTON	15	6	F458529	GASKET, CYLINDER HEAD	19	38
F458017	PISTON PIN	15	4	F458531	ROD, SHIFT INTERLOCK	19	24
F458028	BEARING, CRANKSHAFT UPPER MAIN	15	19	F458579	SEAL, CRANKCASE	15	10
F458038-2	SUPPORT PLATE	3	20	F458592	RETAINER, STARTER PULLEY	7	16
F458066	THERMOSTAT COVER	19	44	F458677	INSERT, CHOKE KNOB	3	42
F458067	GASKET, THERMOSTAT COVER	21	45	F458688	SHAFT, STEERING HANDLE FOR MANUAL START MODELS	29	62
F458067	THERMOSTAT COVER	21	-	F458690	SCREW, THROTTLE STOP FOR MANUAL START MODELS	29	60
F458071	SPRING, STARTER HANDLE GUIDE FOR MANUAL START MODELS	7	5	F458695	SLEEVE, STEERING HANDLE GRIP FOR MANUAL START MODELS	29	65
F458076	TAB, SHOCK MOUNT SIDE	27	12	F458754	HOSE, FUEL PUMP TO CARBURETOR	17	14
F458079	STEERING HANDLE FOR MANUAL START MODELS	29	46	F458846	SPRING, STARTER INTERLOCK LEVER	7	21
F458109	PLUG, CYLINDER HEAD	19	40	F458880	CLIP, STARTER GUIDE	5	66
F458132	HANDLE, STARTER ROPE FOR MANUAL START MODELS	7	11	F458887	FASTENER, SUPPORT PLATE MOUNT	27	3
F458146	SEAL, CRANKSHAFT UPPER MAIN	19	2	F458888-1	TRIM, STARTER HANDLE GUIDE	5	64
F458151	EXHAUST PORT PLATE	21	47	F458936	SCREW, CYLINDER HEAD	19	40
F458152	EXHAUST PORT COVER	21	48	F458937	LINER, STARTER HOUSING	7	3
F458154	EXHAUST PORT PLATE	21	-	F458953-1	GUIDE, STARTER HANDLE FOR MANUAL START MODELS	7	6
F458154	GASKET, EXHAUST PORT PLATE	21	46	F458962	SHOCK MOUNT	27	11
F458166-2	SCREW, MOTOR LEG TO CYLINDER	27	34	F458963	PLATE, SHOCK MOUNT	27	8
F458192	THROTTLE CAM	21	62	F458970	SPRING, STARTER REWIND	7	7
F458198	THROTTLE STOP FOR MANUAL START MODELS	29	67	F458977-3	LEVER, SHIFT INTERLOCK	19	21
F458223	GASKET, TRANSFER PORT COVER	19	37	F460097-1	FLYWHEEL	9	1
F458223	TRANSFER PORT COVER	21	-	F460664	STATOR GROUND WIRE	9	6
F458232	STARTER ROPE	7	10	F461061-2	CARBURETOR COMPLETE (WB19C)	11	43
F458239	STARTER PULLEY	7	8	F461094-1	PROPELLER NUT	33	7
F458245	BAFFLE, TILT HANDLE	3	2	F461133-2	MOTOR LEG	27	26
F458277	CRANKSHAFT BEARING CAGE	21	-	F461342	SEAL, DRIVESHAFT SPLINE	15	12
F458277	GASKET, CRANKSHAFT BEARING CAGE	19	4	F461400	INDICATOR, GEAR SHIFT	3	44
F458279	CYLINDER EXHAUST	21	-	F461615	GEAR SHIFT ROD UPPER	29	74
F458279	GASKET, CYLINDER EXHAUST	27	1				

# PARTS INDEX

Part Number	Description	Pg.	Ref. No.	Part Number	Description	Pg.	Ref. No.
F461707-1	COVER, SHOCK MOUNT			F5H072	OVERHEAT BUZZER KIT . . .	42	-
	LOWER . . . . .	27	25	F5H077	IGNITION KEY SWITCH . . . .	42	-
F461774	BRACKET, RETAINER REAR	3	19	F5H078	IGNITION KEY SWITCH . . . .	42	-
F461845	MOTOR LEG EXTENSION . .	33	3	F5H081	BATTERY CABLE . . . . .	42	-
F461952	STRAP, HAND STARTER			F5H086	STARTER CONVERSION . . .	43	-
	HOUSING . . . . .	7	20	F66480	STUD . . . . .	23	32
F463864	RETAINER, TILT HANDLE . .	3	5	F7001	STOP NUT . . . . .	23	15
F476	FUEL LINE ADAPTION KIT .	42	-	F7004	LOCK NUT, 3/8 - 16 . . . . .	19	25
F483300	SPRING . . . . .	23	27	F7011	HEX NUT . . . . .	3	13
F483349-1	REVERSE LOCK . . . . .	23	25	F7024	STOP NUT . . . . .	23	1
F483510-1	LINK, REVERSE LOCK . . . .	23	24	F74305	SEAL, PROP SHAFT		
F483555	SEAL, GEAR HOUSING . . . .	33	30		BEARING CAGE . . . . .	33	13
F483726	BEARING . . . . .	23	18	F74H01	VOLTMETER . . . . .	43	-
F483827	LEVER, REVERSE LOCK . . .	23	17	F8011	PLAIN WASHER . . . . .	7	25
F483884	BEARING . . . . .	23	22	F8011	PLAIN WASHER . . . . .	11	44
F487755	FUEL TANK ADAPTER . . . .	37	8	F8049	BOWED WASHER . . . . .	29	77
F50109	PLUG GEAR HOUSING . . . .	33	26	F8055	LOCKWASHER . . . . .	9	16
F504052	BEARING . . . . .	21	65	F8058	INTERNAL TOOTH		
F50411	RETAINING RING . . . . .	33	12		LOCKWASHER . . . . .	19	27
F504527	CAP, INTERLOCK BEARING	21	66	F8059	SPRING LOCKWASHER . . .	9	8
F504621	LEVER, GEAR SHIFT			F8077	WASHER, GEAR HOUSING		
	CONTROL . . . . .	5	48		PLUG . . . . .	33	25
F504809	ROD, STARTER INTERLOCK	21	64	F8083	SPRING LOCKWASHER . . .	23	6
F504836	SPACER, GEAR SHIFT			F8094	PLAIN WASHER . . . . .	23	19
	SHAFT . . . . .	5	50	F8096	SPRING LOCKWASHER . . .	5	58
F505269	TILT HANDLE . . . . .	3	3	F8096	SPRING LOCKWASHER . . .	27	32
F505711	PLATE, FRONT . . . . .	5	68	F8096	SPRING LOCKWASHER . . .	33	4
F513286	WASHER, SWIVEL BRACKET			F84026	SWIVEL, SHIFT INTERLOCK		
	FRICTION . . . . .	23	13		BEARING . . . . .	19	23
F53795-1	SEAL, STEERING HANDLE			F84035-2	BEARING, SHIFT		
	GRIP FOR MANUAL				INTERLOCK ROD . . . . .	19	22
	START MODELS . . . . .	29	45	F84314-2	ELBOW . . . . .	11	39
F53983	RETAINING RING, WEED			F84792	FUEL PUMP VALVE GASKET	17	5
	GUARD . . . . .	33	11	F85026	SWIVEL,SHIFT INTERLOCK		
F54262	WEED GUARD . . . . .	33	10		LEVER . . . . .	19	19
F588	FLUSHING ADAPTER . . . .	42	-	F8537	SPRING PIN . . . . .	23	33
F590	REMOTE CONTROL FLUSH			F8548	SPRING PIN FOR MANUAL		
	MOUNT (SINGLE LEVER)	43	-		START MODELS . . . . .	29	64
F5H004	SPEEDOMETER . . . . .	42	-	F8550	SPRING PIN FOR MANUAL		
F5H008	FUEL GAUGE FLUSH				START MODELS . . . . .	27	41
	MOUNT . . . . .	42	-	F8559	DOWEL PIN . . . . .	19	15
F5H018	DUAL ENGINE TIE BAR . . . .	43	-	F85610	BEARING . . . . .	29	61
F5H019	ANTI-CORROSION KIT . . . .	42	-	F85610	BEARING FOR MANUAL		
F5H020	CARRYING HANDLE . . . . .	42	-		START MODELS . . . . .	31	84
F5H021	BATTERY EXTENSION			F85634-1	SCREW, CONNECTING ROD	15	15
	CABLE . . . . .	42	-	F85735-1	SEAL . . . . .	3	11
F5H025	ANTI-CORROSION			F85756	PACKING, ENGINE COVER .	3	17
	SACRIFICIAL ANODE . . . .	42	-	F88161-3	REED STOP . . . . .	13	11
F5H027	FUEL TANK (ACCESSORY			F89777-1	CAM, ENGINE COVER		
	ITEM) . . . . .	37	9		LATCH . . . . .	5	59
F5H027	STEEL, 6 GALLON FUEL			F90096	RETAINER, PISTON PIN . . .	15	1
	TANK . . . . .	42	-	F901008	STUD, GEAR HOUSING . . . .	33	33
F5H028	SENDING UNIT . . . . .	42	-	F901011	WASHER, SWIVEL BRACKET	25	43
F5H029	FUEL TANK ANCHOR . . . . .	42	-	F901169-1	BEARING, SWIVEL		
F5H060	FROST WHITE LACQUER . .	42	-		BRACKET . . . . .	23	29
F5H062	WATER PUMP . . . . .	42	-	F901307-2	SEAL, DRIVESHAFT AND		
F5H063	REMOTE CONTROL				WATER PUMP . . . . .	33	35
	SURFACE MOUNT			F901563	DRIVE PIN, WATER PUMP		
	(SINGLE LEVER) . . . . .	42	-		IMPELLER . . . . .	35	42
F5H070	REMOTE ELECTRIC CABLE	42	-	F901631-1	FRICTION SHOE . . . . .	23	5

# PARTS INDEX

Part Number	Description	Pg.	Ref. No.	Part Number	Description	Pg.	Ref. No.
F901704	COUPLING, GEAR SHIFT ROD	29	72	FA458838	MAGNETO CONTROL SHAFT	3	37
F901721	CLUTCH SHIFT CAM	33	28	FA458892	INSERT, PLATE FRONT, U.S.A.	5	62
F901728	CLUTCH SHIFT PIN	33	22	FA460423	STARTER PAWL PLATE ASSEMBLY	7	18
F901775	PLATE, FRICTION SHOE	23	4	FA483072	SWIVEL BRACKET W/BEARINGS AND GREASE FITTINGS	25	42
F901822-1	STUD, SWIVEL BRACKET	23	3	FA504060	WATER PUMP BODY	33	38
F9022	SHIM .006 (SILVER)	7	17	FA504082	MAGNETO STATOR RING	19	5
F9023	SHIM .007 (BRASS)	7	-	FA504222	TRANSFER PORT COVER	19	34
F9024	SHIM .010 (BLACK)	7	-	FA510914	SEAL, WATER LINE LOWER	33	39
F90807	RETAINER, CHOKE ROD FOR MANUAL START MODELS	11	45	FA77395-5	PLATE, IDENTIFICATION W/SCREWS, U.S.A.	5	53
F92759	ROLLER, THROTTLE CAM FOLLOWER	11	41	FA78266-1	BEVEL PINION W/BEARING	33	29
F97772	FUEL LINE CLAMP	17	12	FA84754-1	FUEL LINE SHORT W/CLAMPS	37	5
F98273	ROD END CONNECTOR STUD	19	26	FA85754-1	HOSE, FUEL PUMP TO BUSHING	17	13
FA12345	COIL W/LEAD WIRE	9	12	FG1010	GASKET SET (NOT SHOWN)	21	-
FA324101	PROPELLER PIN PACK OF 3 W/COTTER PIN	33	8	FK1025	LONG LEG CONVERSION KIT	42	-
FA324113	STERN BRACKET LOCK BAR W/END	23	37	FK1073	FILL HD SCREW, 1/4 - 20 X 1 3/4	21	50
FA324298	PROP SHAFT BEARING CAGE	33	15	FK750-2	SPARKIE W/SPRING	9	14
FA343178	RETAINER, GEAR SHIFT SHAFT W/SET SCREW	3	46	FK78054-4	GEAR HOUSING LOWER W/PLUG AND WASHER	33	24
FA343178	RETAINER, MAGNETO CONTROL SHAFT W/SET SCREW	3	32	FK85228	BEARING CAGE W/ROLLERS (16 PER SET)	15	16
FA413469	COVER LATCH HANDLE W/SHAFT	3	38	FO10165	INLET SEAT GASKET	11	19
FA413815	GEAR, STEERING HANDLE W/SET SCREW FOR MANUAL START MODELS	29	53	FO10280	CHOKE SHUTTER RETAINING SCREW AND LOCKWASHER	11	8
FA437023	BEVEL GEAR FRONT W/BEARING	33	23	FO10588	BODY CHANNEL CUP PLUG	11	1
FA437098	PROPELLER SHAFT	33	18	FO10790	INLET NEEDLE, SEAT AND GASKET	11	18
FA437662	BEVEL GEAR REAR W/BEARING	33	16	FO10883	CHOKE RELIEF VALVE SPRING	11	4
FA438431	FUEL PUMP BODY W/VALVES	17	6	FO11103	IDLE MIXTURE SCREW SPRING	11	17
FA456137	STEERING HANDLE GRIP W/SLEEVE FOR MANUAL START MODELS	29	63	FO12250	CHOKE SHUTTER	11	7
FA458144	CRANKSHAFT BEARING CAGE	19	3	FO12251	CHOKE RELIEF VALVE	11	3
FA458158	REED PLATE W/REEDS, STOPS AND SCREWS	13	9	FO13552	FUEL BOWL	11	12
FA458167	CARBURETOR ADAPTER	13	4	FO13554	FLOAT	11	10
FA458254	HOSE, DRAIN	19	17	FO13944	FLOAT LEVER PIN	11	11
FA458260	PISTON RING SET (4 PER SET)	15	7	FO13945	FUEL BOWL RETAINING SCREW	11	14
FA458480	RETAINER, ENGINE COVER REAR W/SCREWS AND NUTS	3	14	FO14166	IDLE MIXTURE SCREW	11	16
FA458518	CYLINDER HEAD W/PLUGS	19	39	FO14188	MAIN FUEL JET (.066) (STANDARD)	11	20
FA458571	ROLLER, CENTER MAIN	15	9	FO15213	MAIN NOZZLE	11	21
FA458655	LINER, CENTER MAIN	15	8	FO15623	FUEL BOWL GASKET	11	13
				FO16397	CHOKE SHAFT RETURN SPRING	11	6
				FO16561	THROTTLE SHAFT AND LEVER	11	22
				FO16562	CHOKE SHAFT AND LEVER	11	5
				FO16563	THROTTLE SHAFT RETURN SPRING	11	26
				FO17639	THROTTLE SHUTTER	11	27

# PARTS INDEX

Part Number	Description	Pg.	Ref. No.	Part Number	Description	Pg.	Ref. No.
FO2510	FUEL BOWL RETAINING			T8974	POINT TENSION GAUGE ...	38	-
	SCREW GASKET .....	11	15	21-817741A1	CHECK VALVE .....	19	35
FO3804	THROTTLE SHAFT			32-817738A1	FUEL LINE LONG		
	POSITION RETAINING				W/CLAMPS AND FERRULE	37	7
	SCREW WASHER .....	11	25	39-818119A1	PISTON RINGS (4 PER SET)		
FO4326	BODY CHANNEL WELCH				.030 OVERSIZE (NOT		
	PLUG .....	11	2		SHOWN) .....	15	-
FO6393	THROTTLE SHAFT			400-818058A1	CRANKSHAFT W/LOWER		
	POSITION RETAINING				MAIN BEARING .....	15	17
	SCREW .....	11	23	600-818052A4	CONNECTING ROD W/CAP		
FO6396	THROTTLE SHAFT				AND SCREWS .....	15	5
	POSITION RETAINING			700-818118A1	PISTON .030 OVERSIZE		
	SCREW LOCKWASHER ..	11	24		(NOT SHOWN) .....	15	-
FO8942	THROTTLE SHUTTER			1600-817898A1	LOWER GEAR HOUSING		
	RETAINING SCREW AND				COMPLETE (NOT SHOWN)	35	-
	LOCKWASHER .....	11	28				
FS174227	SPARK PLUG (L-4-J) .....	19	42				
FS409752	FUEL LINE COMPLETE (NOT						
	SHOWN) .....	37	-				
FS504705	GEAR SHIFT ROD LOWER						
	FOR STANDARD SHAFT						
	MODELS .....	35	41				
FS505705	GEAR SHIFT ROD LOWER						
	FOR LONG SHAFT						
	MODELS .....	35	-				
FS529712	ENGINE COVER W/FRONT						
	AND REAR RETAINERS .	3	1				
FS901244	EXTENSION, INLET WATER						
	LINE .....	33	2				
FSA458015	PISTON .010 OVERSIZE						
	(NOT SHOWN) .....	15	-				
FSA458260	PISTON RINGS (4 PER SET)						
	.010 OVERSIZE (NOT						
	SHOWN) .....	15	-				
FT2907	DRIVESHAFT SEAL						
	INSTALLER .....	40	-				
FT2910	KNOCK-OFF NUT .....	38	-				
FT2953	SOCKET .....	39	-				
FT2990	PISTON PIN REMOVER ....	39	-				
FT2996	RING COMPRESSOR .....	39	-				
FT8919	SPRING PIN PUNCH .....	40	-				
FT8926	RING EXPANDER .....	39	-				
FT8932	LIFTING HOOK .....	41	-				
FT8948-1	PROPELLER SHAFT						
	BEARING CAGE PULLER	40	-				
FT8950	LEAKAGE TESTER .....	41	-				
FT8957	SEAL INSTALLER .....	40	-				
FT8967	SEAL PROTECTOR .....	39	-				
FT8968A	TEST WHEEL .....	41	-				
FT8971	SEAL INSTALLER .....	39	-				
FT8976	SEAL PROTECTOR .....	39	-				
FT8977	SEAL COLLAR INSTALLER .	39	-				
FTA2937-1	TIMING TOOL .....	38	-				
P346	PROPELLER (ACCESSORY						
	ITEM) .....	33	9				
S385032-1	STERN BRACKET						
	STARBOARD W/CLAMP						
	SCREW AND FOOT .....	23	39				