



PARTS CATALOG

85 H.P.

SERIAL NUMBER

85 (1979) 857B9G
85 (1979) 857H9G

TABLE OF CONTENTS:

ACCESSORIES	51
CARBURETOR	16
CRANKSHAFT AND PISTON GROUP	28
DISTRIBUTOR	12
ELECTRICAL COMPONENTS	6
ENGINE COVER AND SUPPORT PLATE	2
FUEL TANK AND LINE	40
GEAR HOUSING	34
MOTOR LEG	30
PARTS INDEX	55
POWER HEAD	22
REMOTE CONTROL	42
SPECIAL TOOLS - GEAR HOUSING	48
SPECIAL TOOLS - LUBRICANTS AND SEALANTS	50
SPECIAL TOOLS - POWER HEAD	47
SPECIAL TOOLS - TEST EQUIPMENT	49
SPECIAL TOOLS - TUNE-UP	46
STARTER	10

NOTE: Indented description indicate that these parts are included in preceeding assembly.

AR = As Required

NSS = Not Sold Separate

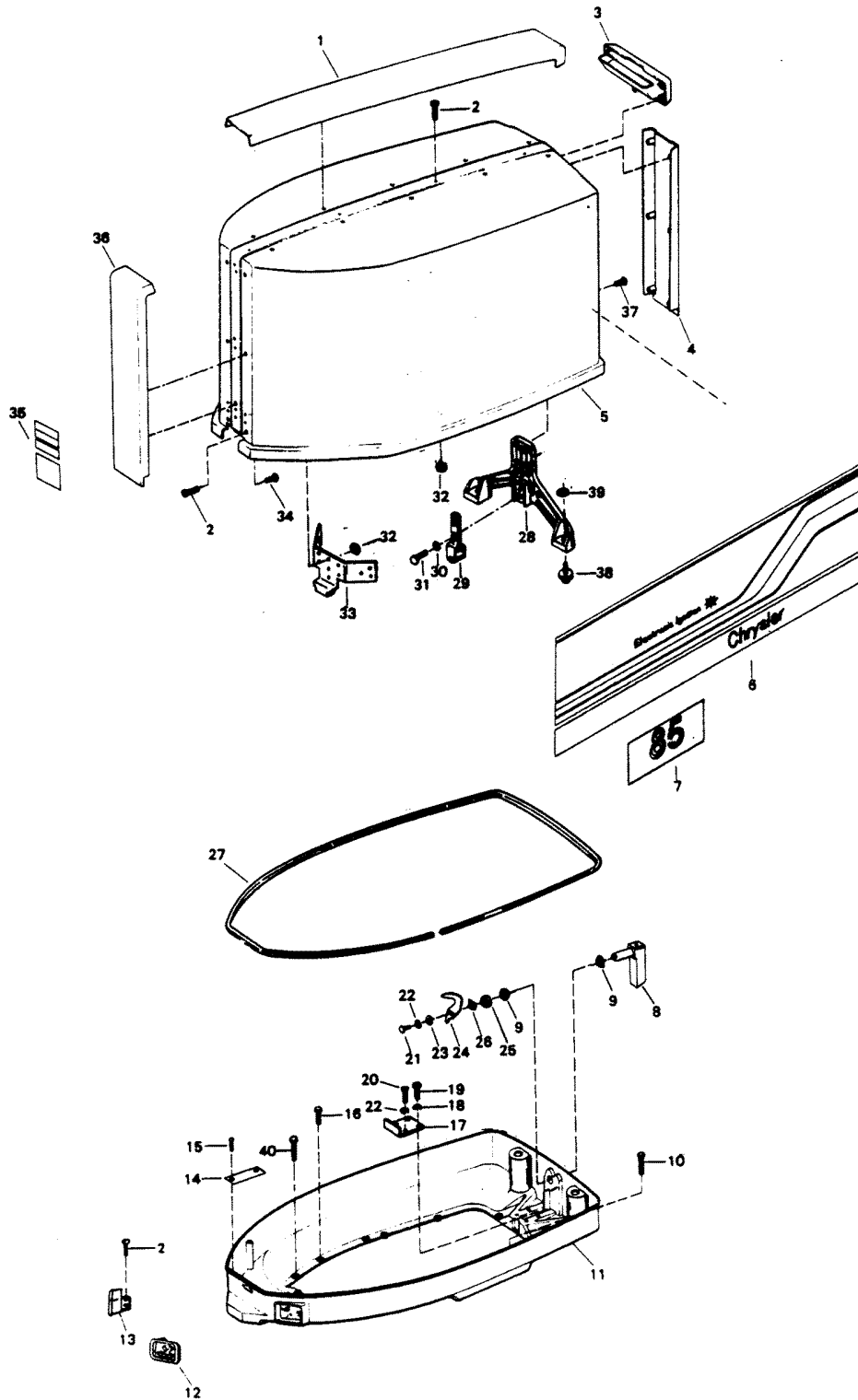
OPT = Optional

NS = Not Shown

THESE PARTS BOOKS/FICHE CARD ARE COPYRIGHTED AND MAY NOT BE DISTRIBUTED OR REPRODUCED IN ANY OTHER FORMAT BY ANYONE OTHER THAN MERCURY MARINE WITHOUT THE PRIOR WRITTEN CONSENT OF MERCURY MARINE.

THIS PAGE INTENTIONALLY LEFT BLANK

ENGINE COVER AND SUPPORT PLATE

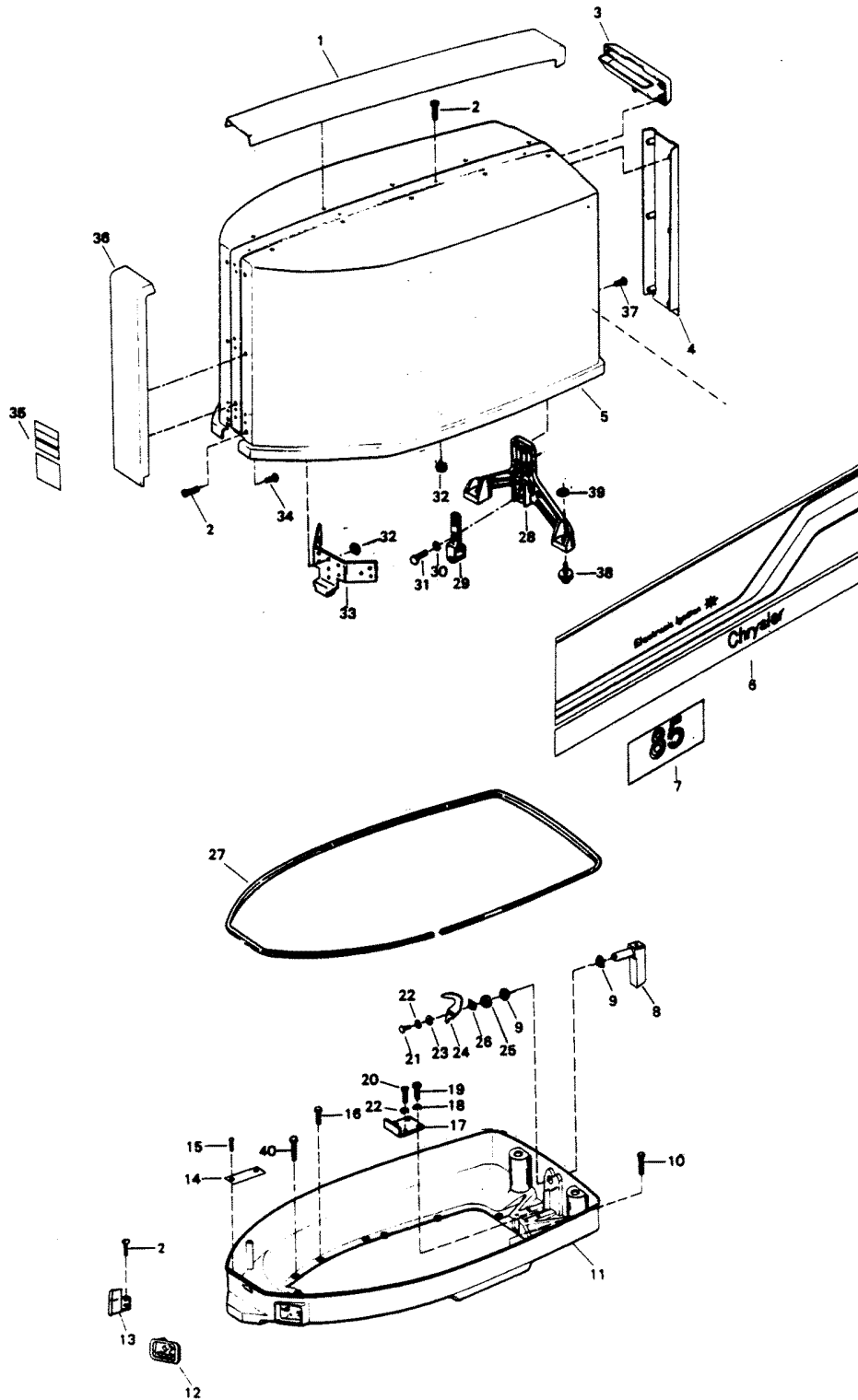


ENGINE COVER AND SUPPORT PLATE

REF. NO.	PART NO.	SYM.	QTY.	DESCRIPTION
1	FS548179		1	TRIM, TOP
2	F1733		10	SCREW, PAN HEAD, 10 - 24 X 9/16
3	FS548269		1	HANDLE, TILT
4	FS548180		1	TRIM, REAR
5	FA549944		1	COVER, ENGINE, W/RETAINER, SCREWS & NUTS
-	3C550944		1	COVER, ENGINE COMPLETE INCLUDES ALL ITEMS MARKED WITH AN ASTERISK (*).
6	FA549397		1	DECAL, PORT
-	FA549396		1	DECAL, STARBOARD
7	FA550386		2	DECAL, NUMERAL 85
8	FA481469		1	HANDLE, LATCH ENGINE COVER - W/SHAFT
9	F480818		2	BEARING, LATCH SHAFT
10	F1238		6	CAPSCREW, HEX, 1/4 - 20 X 3/4
11	F480038-2		1	PLATE, SUPPORT
12	F549189		1	BUSHING, ELECTRIC CABLE
13	F545189		1	BUSHING, CABLE ENTRY
14	FA535395		1	PLATE, IDENTIFICATION, W/SCREWS - USA
-	FAC535395		1	PLATE, IDENTIFICATION, W/SCREWS - CANADA
15	F1447		2	SCREW, RD HD, 2 X 3/16
16	F1502		5	SCREW, HEX SLOT HD, 1/4 - 20 X 5/8
17	F335654-1		1	STOP, DEFLECTION
18	F8096		4	LOCKWASHER
19	F1857		2	CAPSCREW, HEX - 5/16 - 18 X 5/8
20	F1858		2	CAPSCREW HEX 5/16 - 18 X 1
21	F1854		1	CAPSCREW, HEX - 1/4 - 20 X 5/8
22	F8083		1	LOCKWASHER
23	F8094		1	WASHER, PLAIN
24	F481777		1	CAM, LATCH SHAFT
25	F481382-1		1	SPACER, LATCH SHAFT
26	F2047		1	WASHER, WAVE
27	F321756		1	PACKING
28	F481774		1	BRACKET, ENGINE COVER LATCH
29	FA481743		1	LATCH, ROLLER BRACKET
30	F8096		2	LOCKWASHER
31	F1857		2	CAPSCREW, HEX - 5/16 - 18 X 5/8
32	F1473		7	NUT HEX, 10 - 24
33	F373778-1		1	RETAINER, ENGINE COVER
34	F2066		26	SCREW, PAN HD, SELF TAPPING 10 X 7/16
35	FA549892		1	DECAL, FRONT
36	FS548888		1	TRIM, FRONT
37	F1730		3	SCREW, PAN HD, W/LOCKWASHER 1/4 - 20 X 1 3/8

CONTINUED ON NEXT PAGE ➡

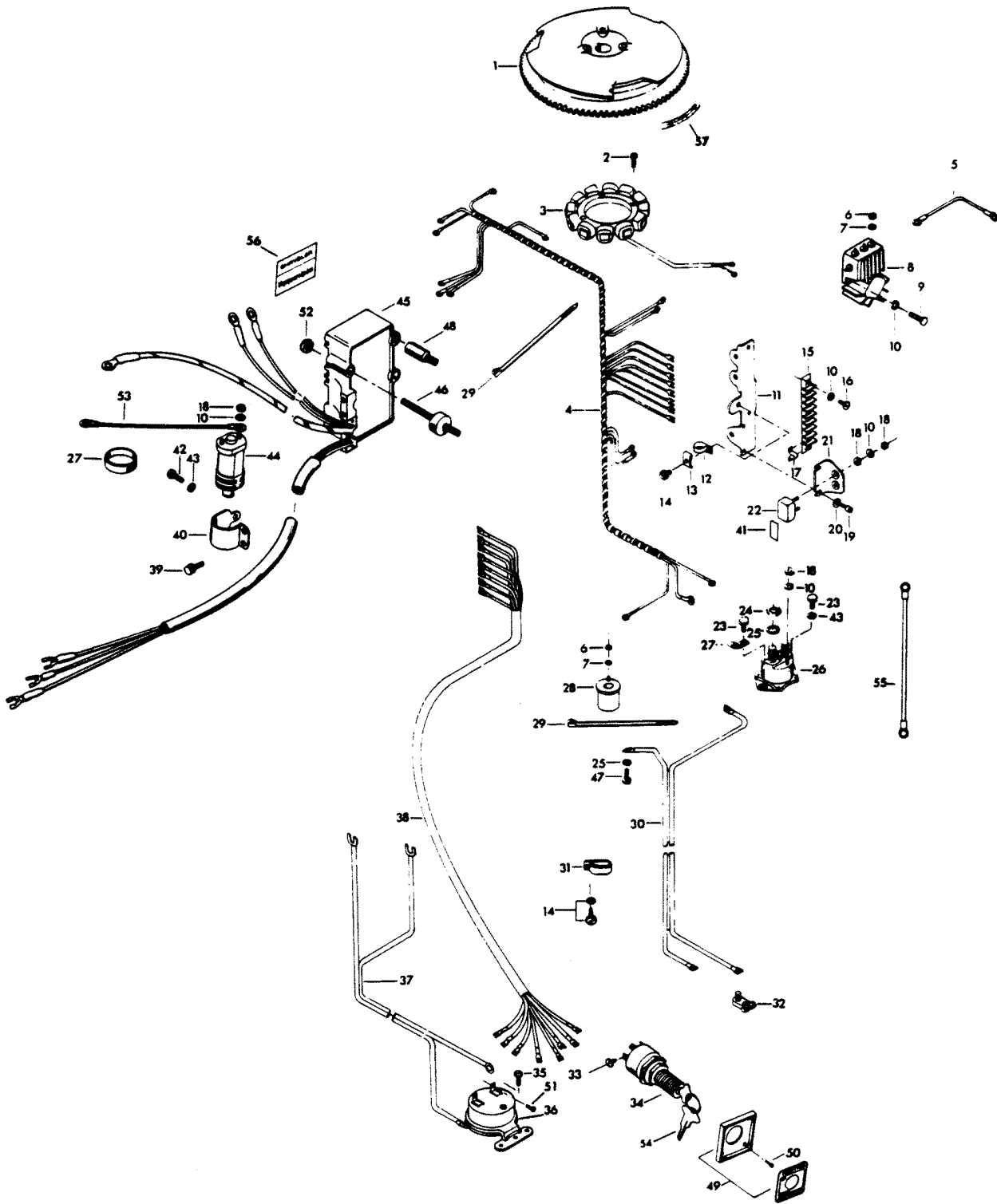
ENGINE COVER AND SUPPORT PLATE



ENGINE COVER AND SUPPORT PLATE

REF. NO.	PART NO.	SYM.	QTY.	DESCRIPTION
38	F481434		2	GUIDE, ENGINE COVER
39	F2088		2	FASTENER
40	F1849		2	CAPSCREW, HEX HD 1/4 - 20 X 1 3/8
-	F548984		1	BLANKET, SILENCER, TOP (NOT SHOWN)
-	F548985		2	BLANKET, SILENCER, SIDE (NOT SHOWN)

ELECTRICAL COMPONENTS

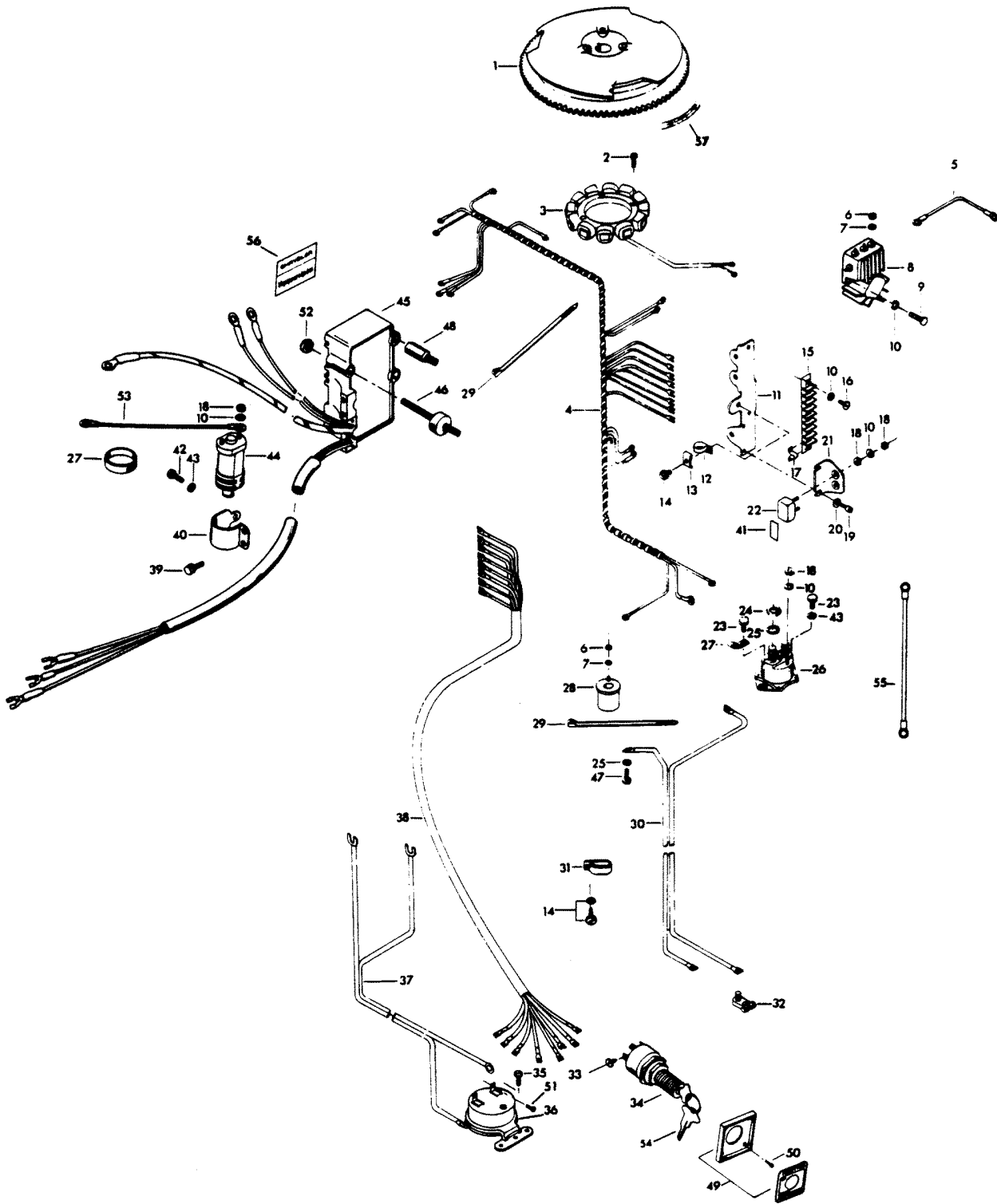


ELECTRICAL COMPONENTS

REF. NO.	PART NO.	SYM.	QTY.	DESCRIPTION
1	F404097		1	FLYWHEEL
2	F1678		6	FILL HD SCREW, 10 - 24 X 13/16
3	F85095-2		1	STATOR
4	F438744-1		1	WIRING HARNESS
5	F345683		1	WIRE, REGULATOR - RECTIFIER GROUND
6	F1647		5	HEX NUT, 8 - 32
7	F8056		5	SPRING LOCKWASHER
8	F404470-1		1	REGULATOR - RECTIFIER
9	F2001		3	FILL HD SCREW, 10 - 24 X 5/8
10	F1975		11	SPRING LOCKWASHER
11	FA438493		1	TERMINAL BLOCK BRACKET
12	F289446-1		1	CLAMP
13	F438668		1	RETAINER, CABLE CLAMP
14	F1734		2	FILL HD SCREW W/LOCKWASHER, 1/4 - 20 X 1/2
15	FA510497		1	TERMINAL BLOCK
16	F1648		2	PAN HD SCREW, 10 - 24 X 3/4
17	F307317		1	CLIP, TERMINAL BLOCK
18	F1513		8	HEX NUT
19	F1760		2	PAN HD SCREW, 10 - 24 X 3/8
20	F8011		2	PLAIN WASHER
21	F91446-1		1	CIRCUIT BREAKER BRACKET
22	F510460		1	CIRCUIT BREAKER
23	F1705		2	HEX CAP SCREW, 1/4 - 20 X 3/4
24	F1515		2	HEX NUT
25	F8096		3	SPRING LOCKWASHER
26	F460917		1	STARTER RELAY
27	F391983		2	RETAINING BAND
28	F85924		1	CHOKE SOLENOID
29	F1877		2	TY-RAP
30	F381896-4		1	BATTERY CABLE
31	F407446		1	CLAMP
32	F5H041		1	BATTERY TERMINAL KIT, (ACCY. ITEM)
33	F1280		5	PAN HD SCREW, 8 - 32 X 1/4
34	F5H078		1	IGNITION SWITCH (LONG BARREL) W/KEYS AND SCREWS (ACCESSORY ITEM)
35	F1741		2	PAN HD SCREW, 8 X 3/4
36	F5H043		1	OVERHEAT BUZZER (ACCESSORY ITEM)
37	F404841		1	CABLE, HEAT INDICATOR
38	F85843-1		1	REMOTE ELECTRIC CABLE, 18 FEET
39	F1851		2	FILL HD SCREW W/LOCKWASHER, 10 - 24 X 1/2
40	F404513		1	COIL CLAMP
41	F510374		1	DECAL, CIRCUIT BREAKER - U.S.A.
-	FC510374		1	DECAL, CIRCUIT BREAKER - CANADA

CONTINUED ON NEXT PAGE ➡

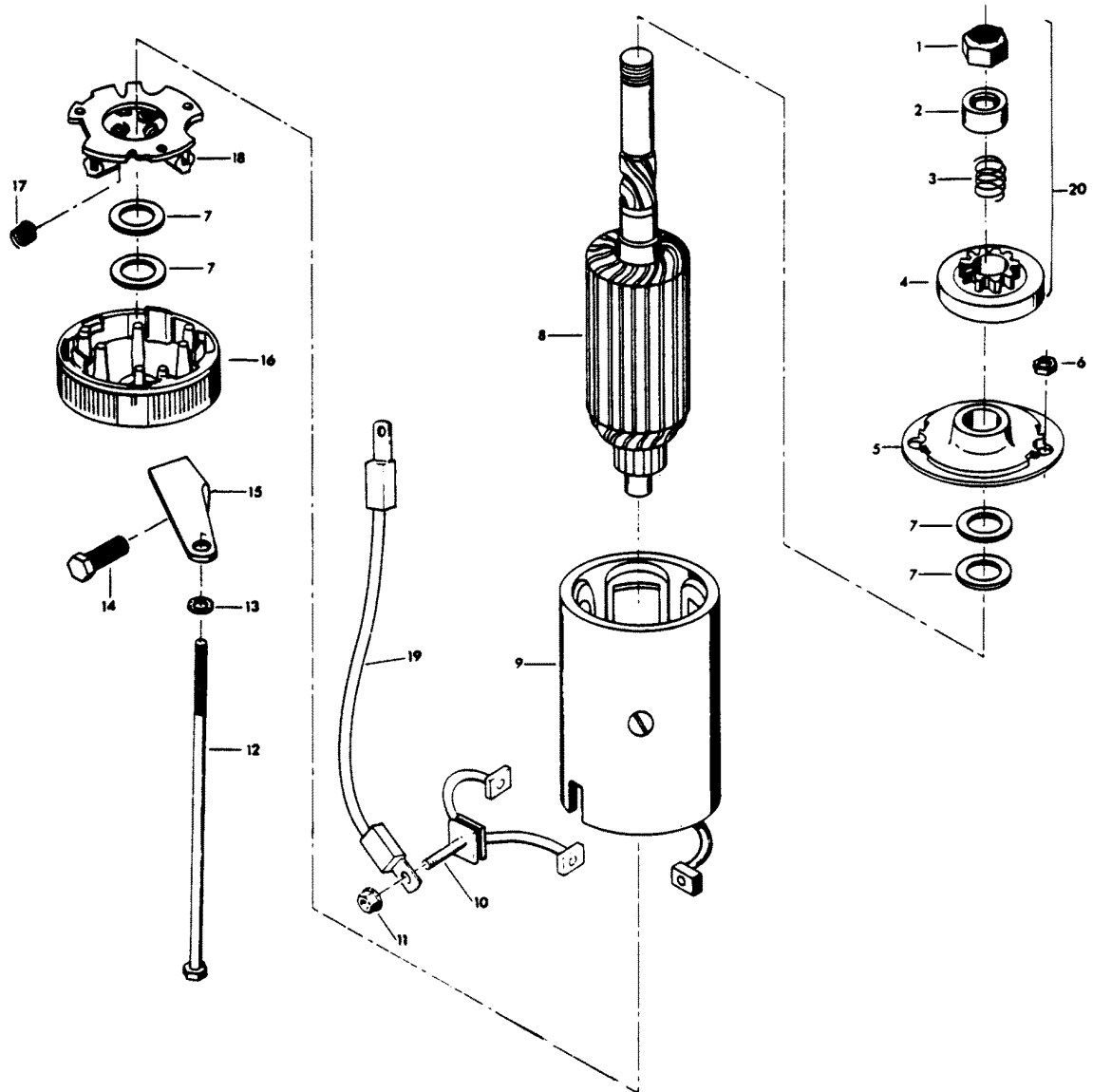
ELECTRICAL COMPONENTS



ELECTRICAL COMPONENTS

REF. NO.	PART NO.	SYM.	QTY.	DESCRIPTION
42	F1689		1	HEX HD CAP SCREW, 1/4 - 20 X 1/2
43	F8083		2	SPRING LOCKWASHER
44	F345475-1		1	COIL
45	FA523301		1	UNIT W/DECAL
46	F523962		3	SHOCK MOUNT
47	F2000		1	HEX CAP SCREW, 5/16 - 18 X 3/4
49	F5H038		1	IGNITION SWITCH MOUNTING KIT (ACCESSORY ITEM)
-	817892--1		1	IGNITION SWITCH PLATE - CANADA (NOT SHOWN)
50	F1934		4	FLAT HD SLOTTED SCREW, 6 X 1/2
51	F1645		2	RD HD SCREW, 6 - 32 X 1/4
52	F1892		3	STOP NUT
53	F85664		1	WIRE DISTRIBUTOR GROUND
54	FA368700		1	KEY, IGNITION, NO LETTER OR STAMPED A
-	FB368700		1	KEY, IGNITION, STAMPED B
-	FC368700		1	KEY, IGNITION STAMPED C
-	FD368700		1	KEY, IGNITION STAMPED D
-	FE368700		1	KEY, IGNITION STAMPED E
55	F319908		1	WIRE, GROUND, CANADA
56	480373		1	DECAL, MAGNAPOWER IGNITION
57	F474387		1	TIMING DECAL - U.S.A.
-	FC474387		1	TIMING DECAL - CANADA
-	F235785		1	DECAL, COMPLIANCE - CANADA (NOT SHOWN)

STARTER

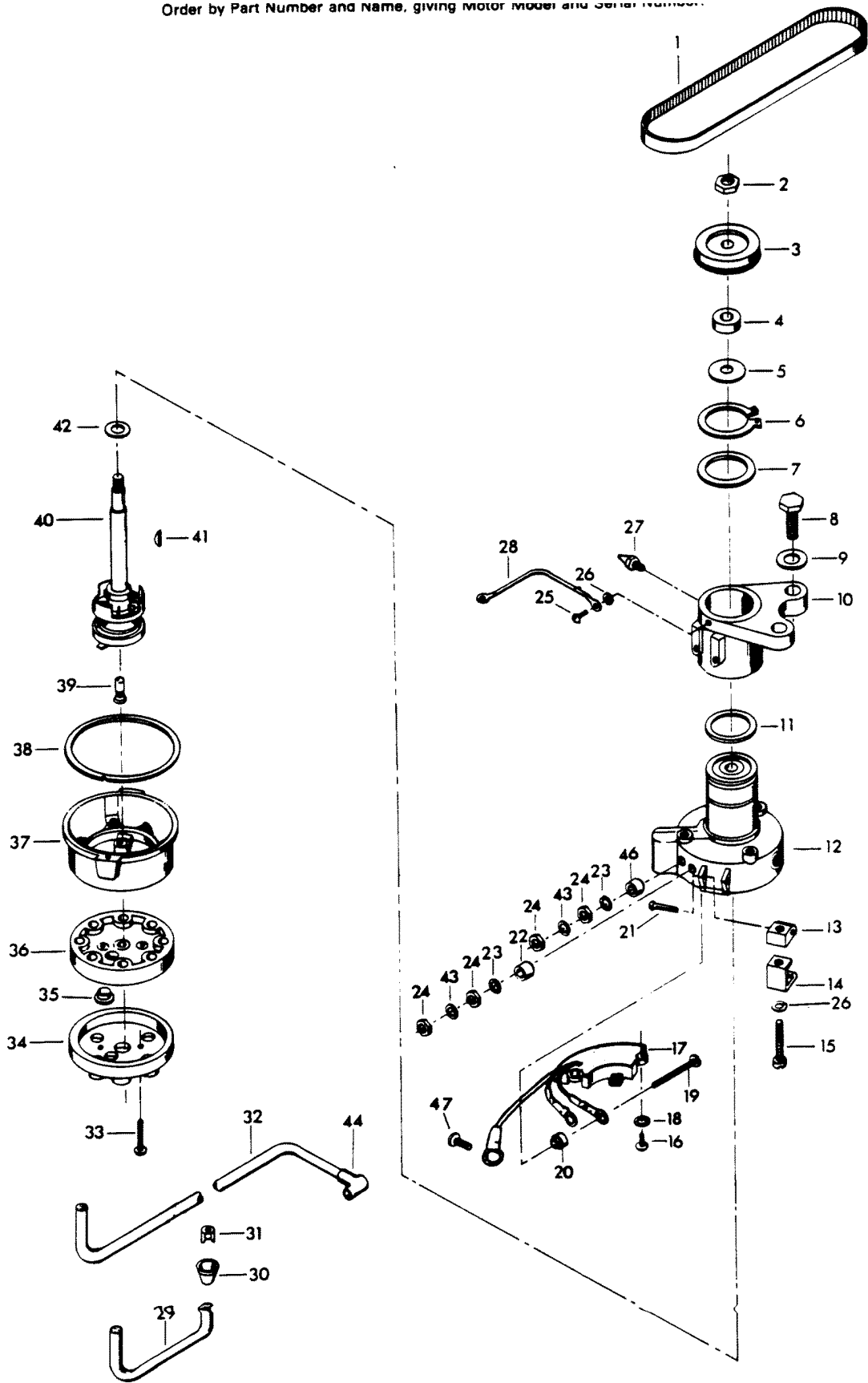


STARTER

REF. NO.	PART NO.	SYM.	QTY.	DESCRIPTION
1	F15111		1	NUT, STOP RETAINING
2	F15112		1	STOP, PINION
3	F15080		1	SPRING
4	F15110		1	CLUTCH ASSEMBLY
5	F15167		1	HEAD ASSEMBLY DRIVE END
6	F1641		2	LOCK NUT, 1/4 - 28
7	F15126		1	THRUST WASHER PACKAGE
8	F15099		1	ARMATURE
9	15169		1	FRAME AND FIELD ASSEMBLY
10	F15165		1	BRUSH TERMINAL SET
11	FA15072		1	HEX LOCK NUT, 1/4 - 20
12	F15168		1	THRU BOLT PACKAGE
13	F8028		2	PLAIN WASHER
14	F1502		1	HEX HD SCREW, 1/4 - 20 X 5/8
15	F511675		1	STARTER BRACKET, LOWER
16	F15125		1	HEAD ASSEMBLY, COMMUTATOR END
17	F15034		1	SPRING SET
18	F15057		1	BRUSH PLATE AND HOLDER
19	F85908		1	STARTER LEAD WIRE
20	F15100		1	BENDIX
-	FS480955		1	STARTER COMPLETE

DISTRIBUTOR

Order by Part Number and Name, giving motor model and Serial Number.



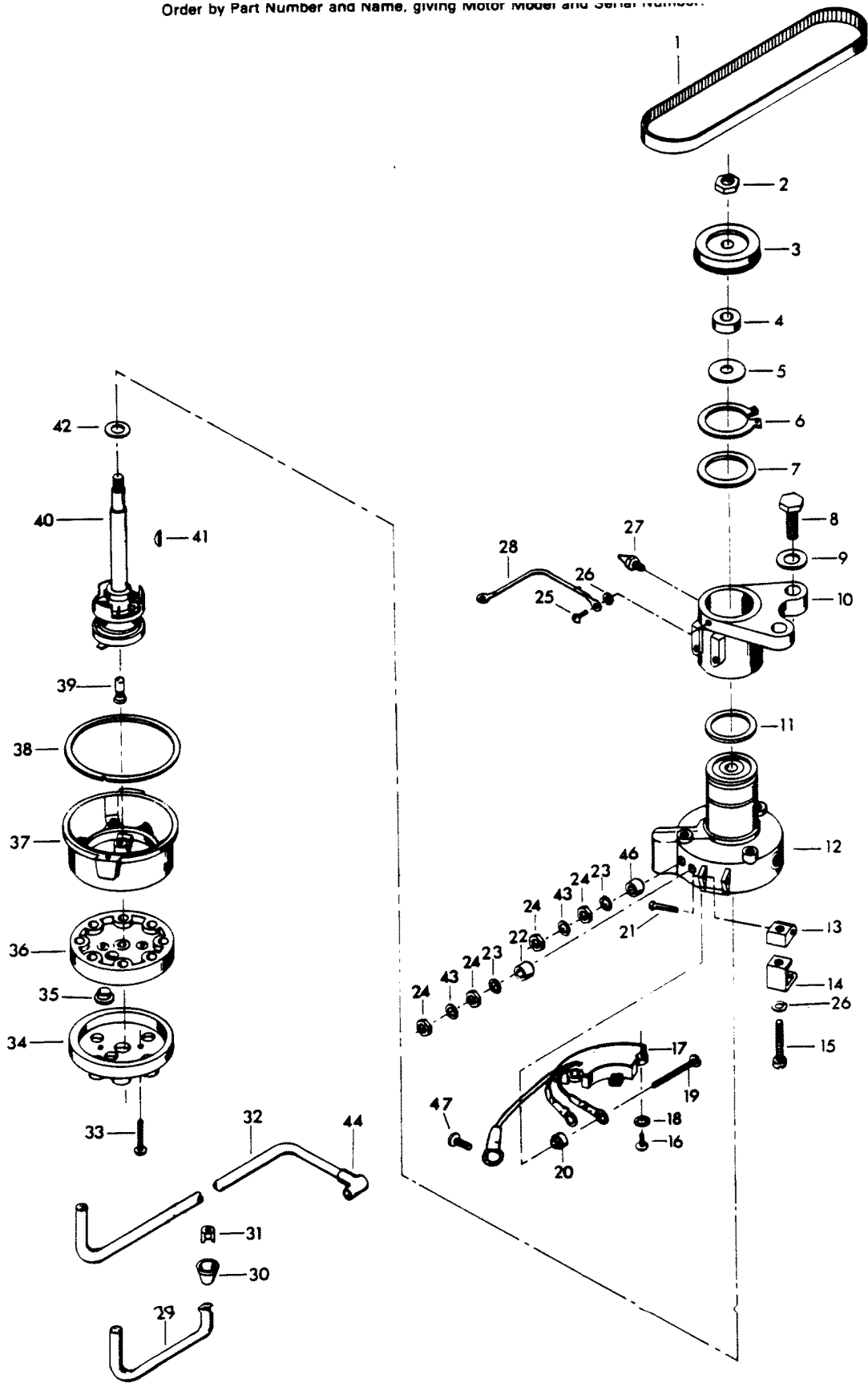
DISTRIBUTOR

REF. NO.	PART NO.	SYM.	QTY.	DESCRIPTION
1	F85311		1	DISTRIBUTOR BELT
2	F7013		1	STOP NUT
3	817786A1		1	DISTRIBUTOR PULLEY
4	F14025		1	SPACER
5	F14028		1	THRUST WASHER
6	F85173		1	RETAINING RING
7	F14029		1	THRUST WASHER
8	F1612		2	HEX CAP SCREW, 3/8 - 16 X 1 1/4
9	F1778		2	PLAIN WASHER
10	FA321574		1	DISTRIBUTOR BRACKET
11	F1759		2	SHIM, DISTRIBUTOR (QTY. AS REQUIRED)
12	F14042		1	DISTRIBUTOR HOUSING W/BEARINGS
13	F14036		2	SWIVEL
14	F14037		2	CAP CLIPS
15	F14038		2	CAP CLIP SCREWS
16	F14045		2	SCREW
17	FA14048-2		1	PREAMPLIFIER
18	F8056		2	LOCKWASHER
19	F14046		2	TERMINAL SCREW
20	F14047		2	TERMINAL INSULATOR (INSIDE)
21	F14015		2	CAP CLIP RIVET
22	F14049		1	TERMINAL INSULATOR (OUTSIDE)
23	F14041		2	EXTERNAL TOOTH LOCKWASHER
24	F1647		4	HEX NUT, 8 - 32
25	F1760		2	PAN HD SCREW, 10 - 24 X 3/8
26	F1975		2	SPRING LOCKWASHER
27	F213274		1	GREASE FITTING
28	F85664		1	DISTRIBUTOR GROUND WIRE
29	84-817775A1		1	COIL WIRE W/TERMINAL CLIP - USA
-	F438905		1	COIL WIRE - CANADA
30	F203276		1	BOOT
31	F203673		1	TERMINAL CLIP
32	F321841-3		3	LEAD WIRE
-	F438841-1		3	LEAD WIRE, CANADA
33	F14007		2	CAP SCREW
34	F14011-1		1	CAP COVER
35	F14040		2	VENT
36	F14020-1		1	CAP SEAL
37	F14006-2		1	CAP BASE
38	F14030		1	CAP GASKET
39	F14012-1		1	BRUSH
40	F14043		1	DISTRIBUTOR SHAFT
41	F1692		1	WOODRUFF KEY

CONTINUED ON NEXT PAGE ➡

DISTRIBUTOR

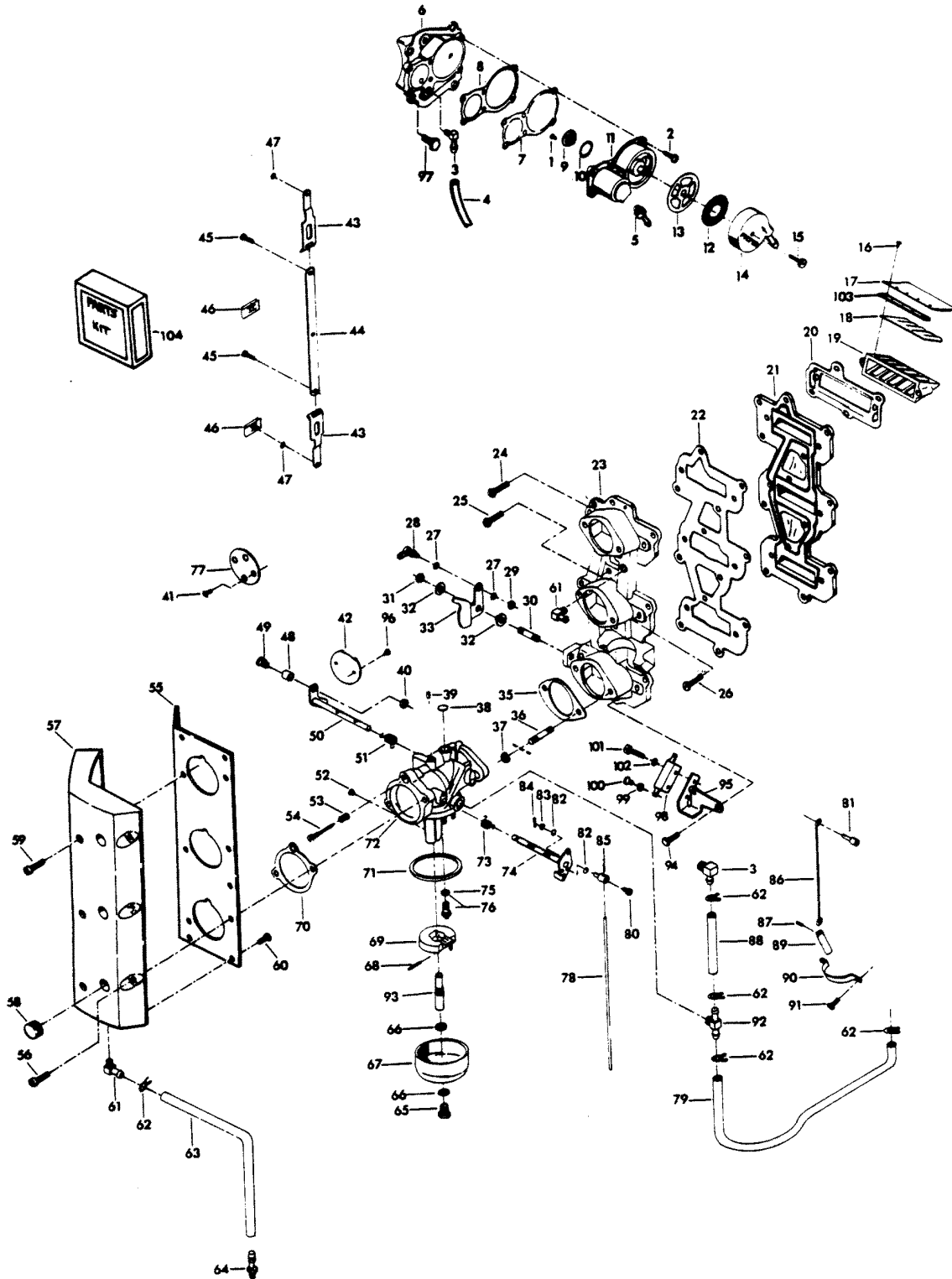
Order by Part Number and Name, giving motor model and Serial Number.



DISTRIBUTOR

REF. NO.	PART NO.	SYM.	QTY.	DESCRIPTION
42	F14024		1	SPACER
43	F8056		2	LOCKWASHER
44	FK750-1		3	SPARKIE W/SPRING
46	F14017		1	TERMINAL INSULATOR (OUTSIDE)
47	F14056		1	SCREW
-	817822A1		1	DISTRIBUTOR
-	481373-1		1	DECAL, "ELECTRONIC" (NOT SHOWN)

CARBURETOR

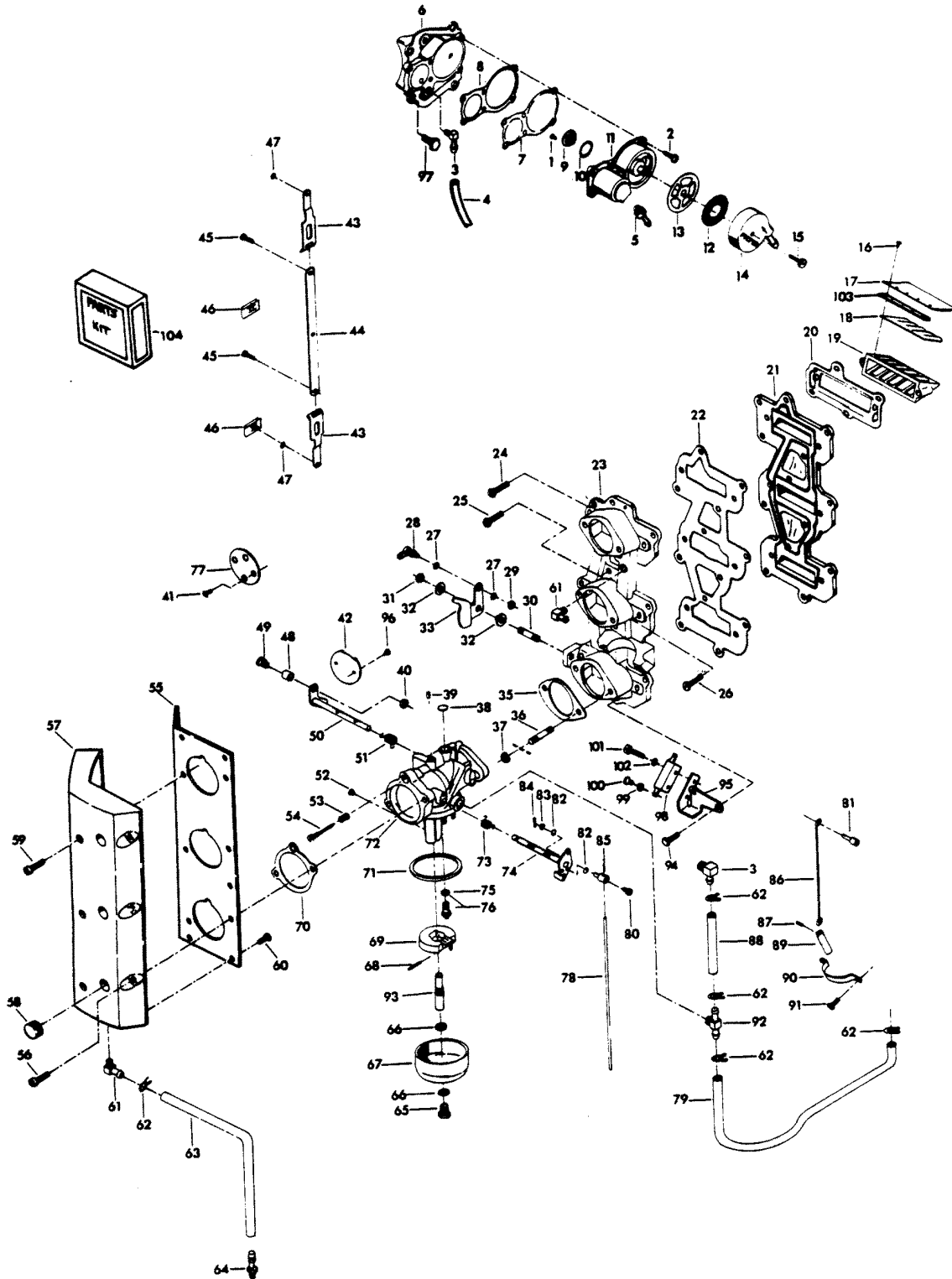


CARBURETOR

REF. NO.	PART NO.	SYM.	QTY.	DESCRIPTION
1	F1860		2	SLOTTED BINDING HD SCREW, 6 - 32 X 1/4
2	F1108		6	FILL HD SCREW W/LOCKWASHER, 1/4 - 20 X 3/4
3	F84314-2		2	ELBOW
4	F89758		1	FUEL PUMP AIR HOSE, TOP
5	F438801		1	FITTING
6	FA439746		1	FUEL PUMP COVER
7	F438747		1	FUEL PUMP DIAPHRAGM
8	F438760		1	FUEL PUMP GASKET
9	F177330		3	FUEL PUMP VALVE
10	F84792		1	GASKET, FUEL PUMP VALVE
11	FA438431		1	FUEL PUMP BODY W/VALVES
12	F438653		1	FUEL SEDIMENT BOWL SCREEN
13	F438617		1	FUEL SEDIMENT BOWL GASKET
14	F438500		1	FUEL SEDIMENT BOWL
15	F438165		1	SCREW, FUEL PUMP BOWL
16	F1755		30	RD HD SCREW W/LOCKWASHER, 6 - 32 X 5/16
17	F85161-1		6	REED STOP
18	F530160		6	REED (5 PETAL)
19	F3A523158		3	REED PLATE W/REEDS, REED STOP AND SCREW
20	F85168		3	GASKET REED PLATE ADAPTER
21	F85162		1	REED PLATE ADAPTER
22	F85159		1	GASKET, INTAKE MANIFOLD
23	817959A3		1	INTAKE MANIFOLD
24	F2008		8	HEX HD SCREW, 1/4 - 20 X 7/8
25	F1916		2	HEX HD SCREW, 1/4 - 20 X 1 1/8
26	F1773		6	HEX HD SCREW, 1/4 - 20 X 1 1/2
27	F8058		2	INTERNAL TOOTH LOCKWASHER
28	817747--1		1	BALL JOINT W/STUD
29	F1513		1	HEX NUT, 10 - 32
30	F433209-1		1	STUD
31	F1910		1	STOP NUT, 1/4 - 20
32	F269319		2	BEARING
33	F85192-1		1	THROTTLE CAM
35	F85906		3	CARBURETOR GASKET
36	F40209		6	CARBURETOR STUD
37	F1515		6	HEX NUT, 5/16 - 18
38	FO4326		1	BODY CHANNEL WELCH PLUG
39	FO10588		1	BODY CHANNEL CUP PLUG
40	F1997		1	STOP NUT, 8 - 32
41	FO8942		2	SHUTTER SCREW W/LOCKWASHER
42	FO16851		0	THROTTLE SHUTTER
43	FA85193		2	TIE BAR END W/SWIVEL
44	FA85511		1	THROTTLE TIE BAR W/SWIVEL

CONTINUED ON NEXT PAGE ➡

CARBURETOR

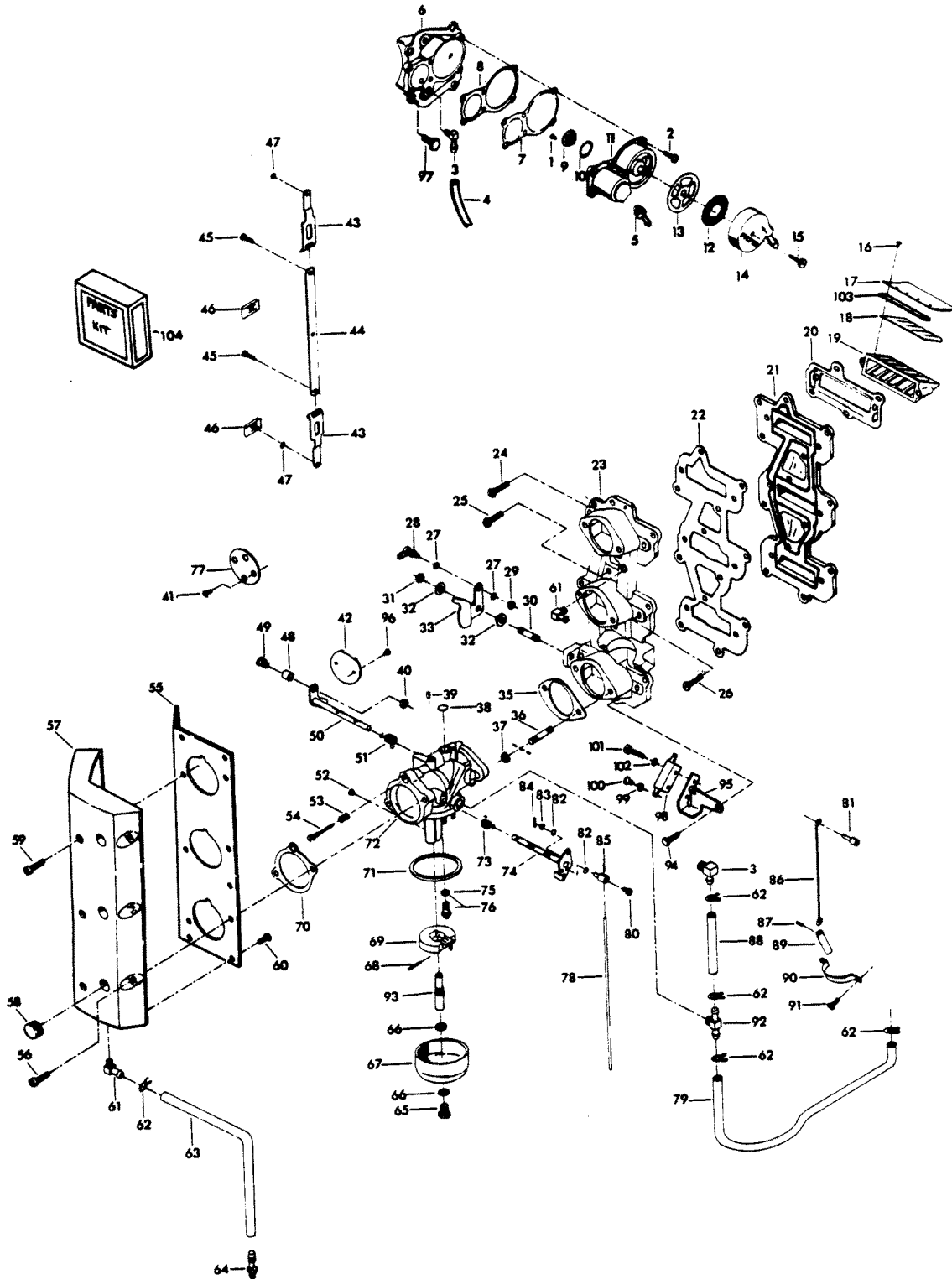


CARBURETOR

REF. NO.	PART NO.	SYM.	QTY.	DESCRIPTION
45	F1064		2	FILL HD SCREW, S.S., 8 - 32 X 3/8
46	F1693		2	TIE BAR RETAINER
47	F90807		3	RETAINING RING
48	F92759		1	THROTTLE ROLLER
49	F333316		1	THROTTLE ROLLER SHAFT
50	FO15230		1	THROTTLE SHAFT AND LEVER
51	FO16008		1	THROTTLE SHAFT RETURN SPRING
52	FO15026		1	MAIN FUEL JET STD. (.072) SEA LEVEL - 1500 FT.
-	FO13430		-	MAIN FUEL JET OPT. (.070) 1500 FT. - 3000 FT.
-	FO13967		-	MAIN FUEL JET OPT. (.068) 3000 FT - 4500 FT.
-	FO14188		-	MAIN FUEL JET OPT. (.066) 4500 FT. - 6000 FT.
-	FO14108		-	MAIN FUEL JET OPT. (.064) 6000 FT. & UP OPTIONAL SIZE MAIN FUEL JETS (USE ONLY AT ALTITUDES INDICATED)
53	FO11103		1	IDLE SCREW SPRING
54	FO13946		1	IDLE SCREW
55	F481567		1	CARBURETOR INTAKE ADAPTER
56	F1504		3	FILL HD SCREW, 1/4 - 20 X 1 1/4
57	F481860-1		1	CARBURETOR, INTAKE
58	F53504		3	GROMMET
59	F1072		3	FILL HD SCREW, 1/4 - 20 X 1 3/4
60	F1760		6	PAN HD SCREW, 10 - 24 X 3/8
61	22-818103--1		2	ELBOW
62	F97772		6	HOSE CLAMP
63	F63754		1	HOSE INTAKE DRAIN
64	22-817789A1		1	DRAIN FITTING
65	FO13945		1	FUEL BOWL RETAINING SCREW
66	FO2510		2	GASKET, FUEL BOWL RETAINING SCREW
67	FO13552		1	FUEL BOWL
68	FO13944		1	FLOAT LEVER PIN
69	FO13554		1	FLOAT
70	F481836		3	INTAKE GASKET
71	FO15623		1	FUEL BOWL GASKET
72	F481061-2		3	CARBURETOR COMPLETE (WB21C)
73	FO13947		1	CHOKE SHAFT RETURN SPRING
74	FO16850		1	CHOKE SHAFT AND LEVER
75	FO10165		1	INLET SEAT GASKET
76	FO10790		1	INLET NEEDLE, SEAT AND GASKET
77	FO13555		1	CHOKE SHUTTER
78	F85509-1		1	CHOKE LINK
79	F438754		1	FUEL LINE
80	F1059		3	FILL HD SCREW, S.S., 6 - 32 X 1/4
81	F85033		1	CHOKE ROD SWIVEL
82	F184579		6	SEAL, CHOKE ARM SWIVEL

CONTINUED ON NEXT PAGE ➡

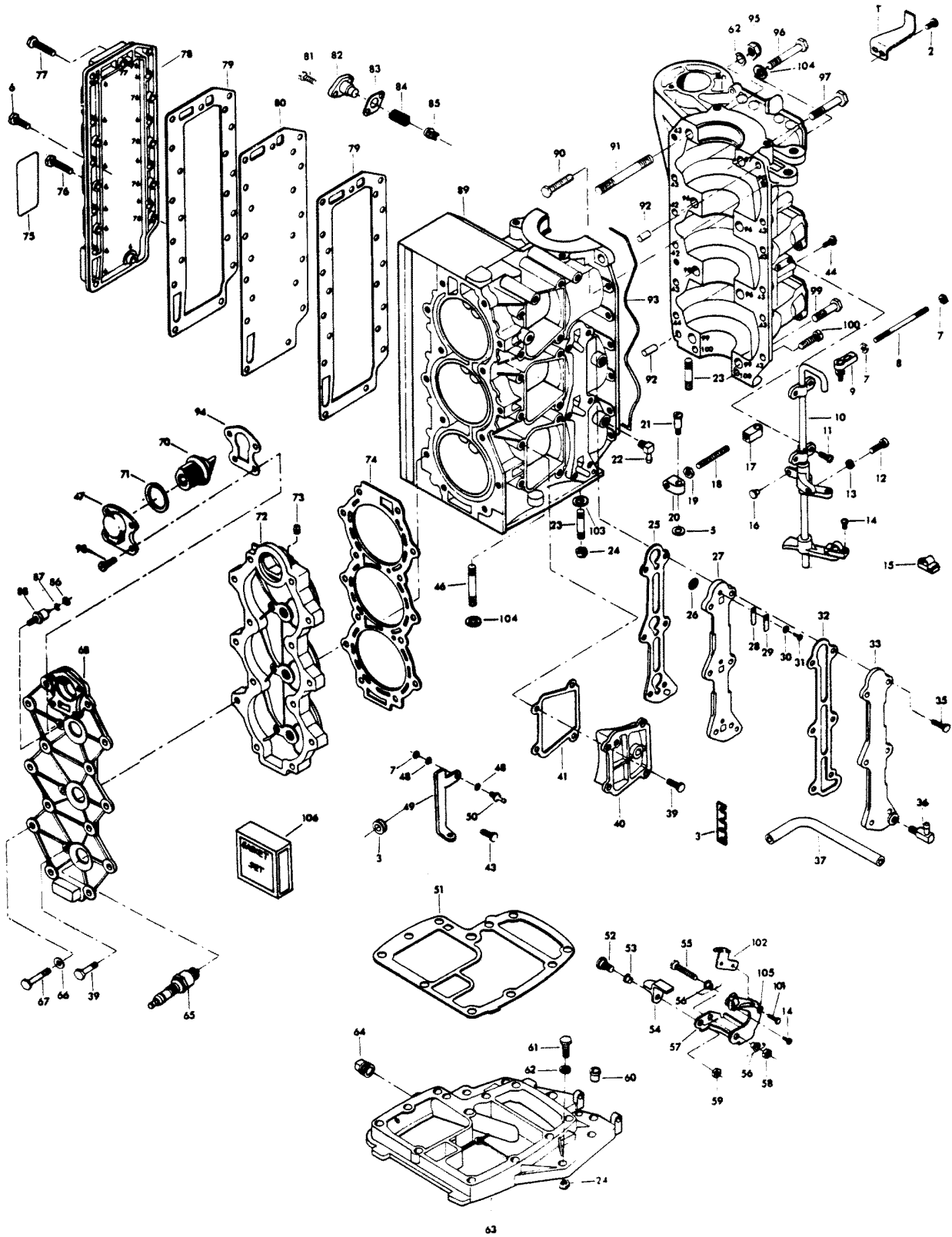
CARBURETOR



CARBURETOR

REF. NO.	PART NO.	SYM.	QTY.	DESCRIPTION
83	F8088		3	PLAIN WASHER
84	F1014		3	COTTER PIN
85	F184033-1		2	CHOKE ARM SWIVEL
86	F85925		1	CHOKE ROD
87	F2033		1	GROOVE PIN
88	F85253-1		2	FUEL LINE
89	F391926-1		1	CHOKE SOLENOID PLUNGER
90	F85317-1		1	CLAMP
91	F1236		2	HEX HD SCREW, 1/4 - 20 X 1/2
92	F85314-1		2	FUEL FITTING
93	FO15217		1	MAIN NOZZLE
94	F1953		2	HEX HD SCREW, 1/4 - 20 X 1
95	F480551-1		1	BRACKET INTERLOCK SWITCH
96	FO8942		2	THROTTLE SHUTTER SCREW AND LOCKWASHER
97	F1502		4	HEX CAP SCREW, 1/4 - 20 X 5/8
98	F84449		1	INTERLOCK SWITCH
99	F1704		2	INTERNAL TOOTH LOCKWASHER
100	F1645		2	RD HD SCREW, 6 - 32 X 1/4
101	F2016		2	FILL HD SCREW, 6 - 32 X 7/8
102	F8088		2	PLAIN WASHER
103	F523451		6	SPACER, REED STOP
-	F10000		1	GASKET SET (NOT SHOWN)
104	F10102		1	REPAIRS PART KIT INCLUDES ALL ITEMS MARKED WITH AN ASTERISK (*).

POWER HEAD

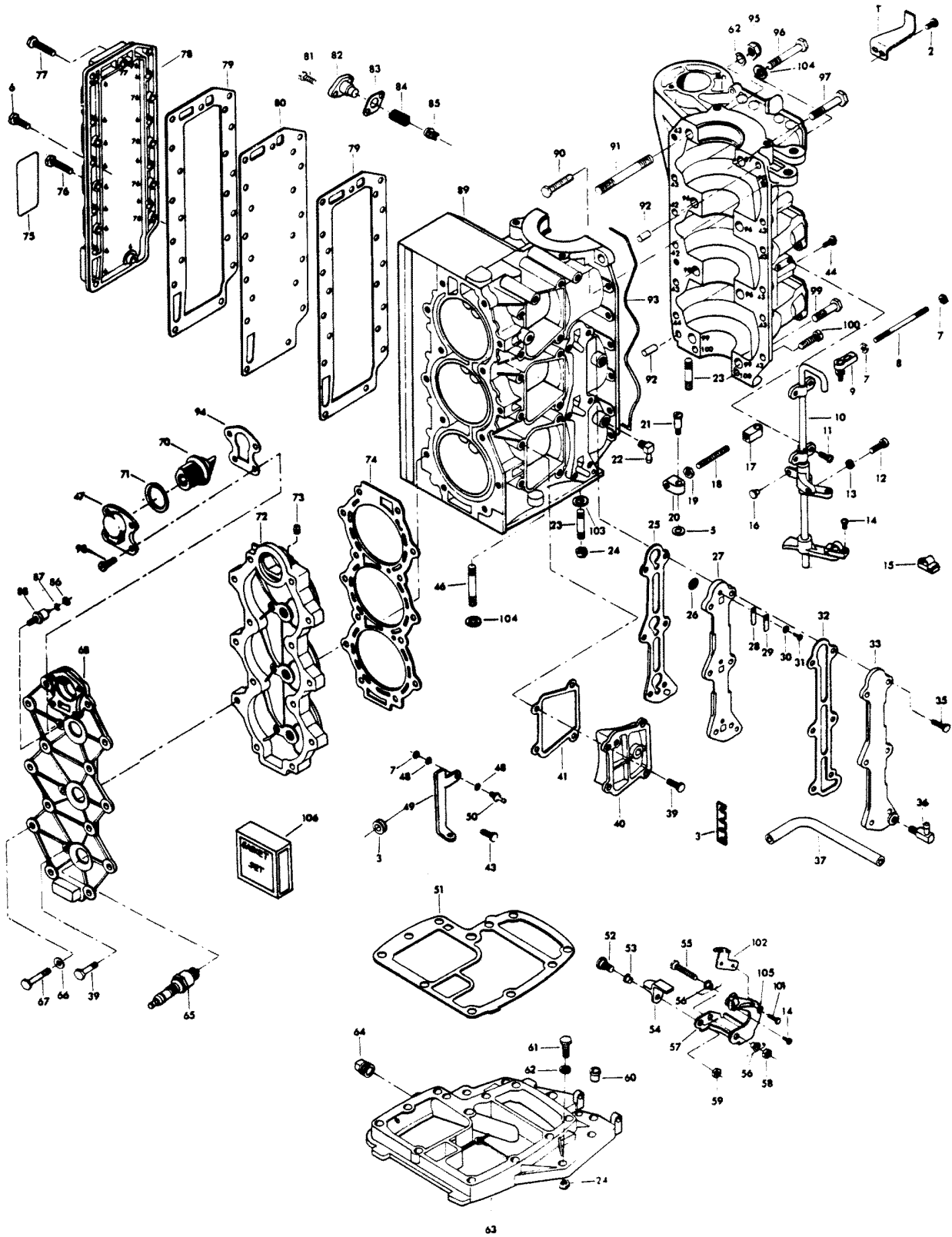


POWER HEAD

REF. NO.	PART NO.	SYM.	QTY.	DESCRIPTION
1	FA480894		1	TIMING POINTER
2	F1760		2	PAN HD SCREW, 10 - 24 X 3/8
3	F523834		1	CLIP, SPARK PLUG WIRE
5	F2042		1	PLAIN WASHER
6	F1203		14	HEX BOLT, 1/4 - 20 X 7/8
7	F1513		4	HEX NUT, 10 - 32
8	F85502		1	THROTTLE LINK
9	817747--1		1	BALL JOINT W/STUD
10	FA85838-5		1	TOWERSHAFT W/BEARINGS, SWIVEL, ARMS AND SCREW
11	F1475		4	FILL HD SCREW, 10 - 24 X 1/2
12	F1504		1	FILL HD SCREW, 1/4 - 20 X 1 1/4
13	F1341		1	HEX NUT, 1/4 - 20
14	F1556		2	FILL HD SCREW W/LOCKWASHER, 10 - 24 X 3/8
15	FK405020		2	SWIVEL W/PIVOT SCREW AND NUT
16	F1727		1	PLASTIC RIVET
17	F85036		1	TOWERSHAFT CONTROL ROD END
18	F85445		1	DISTRIBUTOR CONTROL ROD
19	F2015		1	HEX NUT, 1/4 - 28
20	F85035		1	DISTRIBUTOR CONTROL ROD END
21	F85026		1	SWIVEL
22	F84314-2		1	ELBOW
23	F85859		4	STUD, FORWARD
24	F7004		10	STOP NUT, 3/18 - 16
25	F85748-2		1	GASKET, CYLINDER DRAIN REED PLATE
26	F93811		3	SCREEN
27	F2A404757		1	CYLNR DRAIN REED PLATE W/REEDS, STOPS, METERING CUP & SCREW
28	F18160-2		3	REED
29	F93920		3	REED STOP
30	F8003		3	PLAIN WASHER
31	F1286		3	PAN HD SCREW, 4 - 40 X 3/16
32	F85472-2		1	GASKET, CYLINDER DRAIN COVER
33	817787A1		1	CYLINDER DRAIN COVER
35	F1187		6	HEX HD SCREW, 1/4 - 20 X 1
36	F404801		1	FITTING
37	F433253		1	HOSE
39	F1502		8	HEX HD SCREW, 1/4 - 20 X 5/8
40	FA411222		2	TRANSFER PORT COVER W/PLUG
41	F40223		3	GASKET, TRANSFER PORT COVER
42	F1999		2	HEX CAP SCREW, 1/4 - 20 X 7/8
43	F1238		10	HEX HD SCREW, 1/4 - 20 X 3/4
44	F1199		1	HEX CAP SCREW, 1/4 - 20 X 1
46	F85211		6	STUD, REAR

CONTINUED ON NEXT PAGE ➡

POWER HEAD

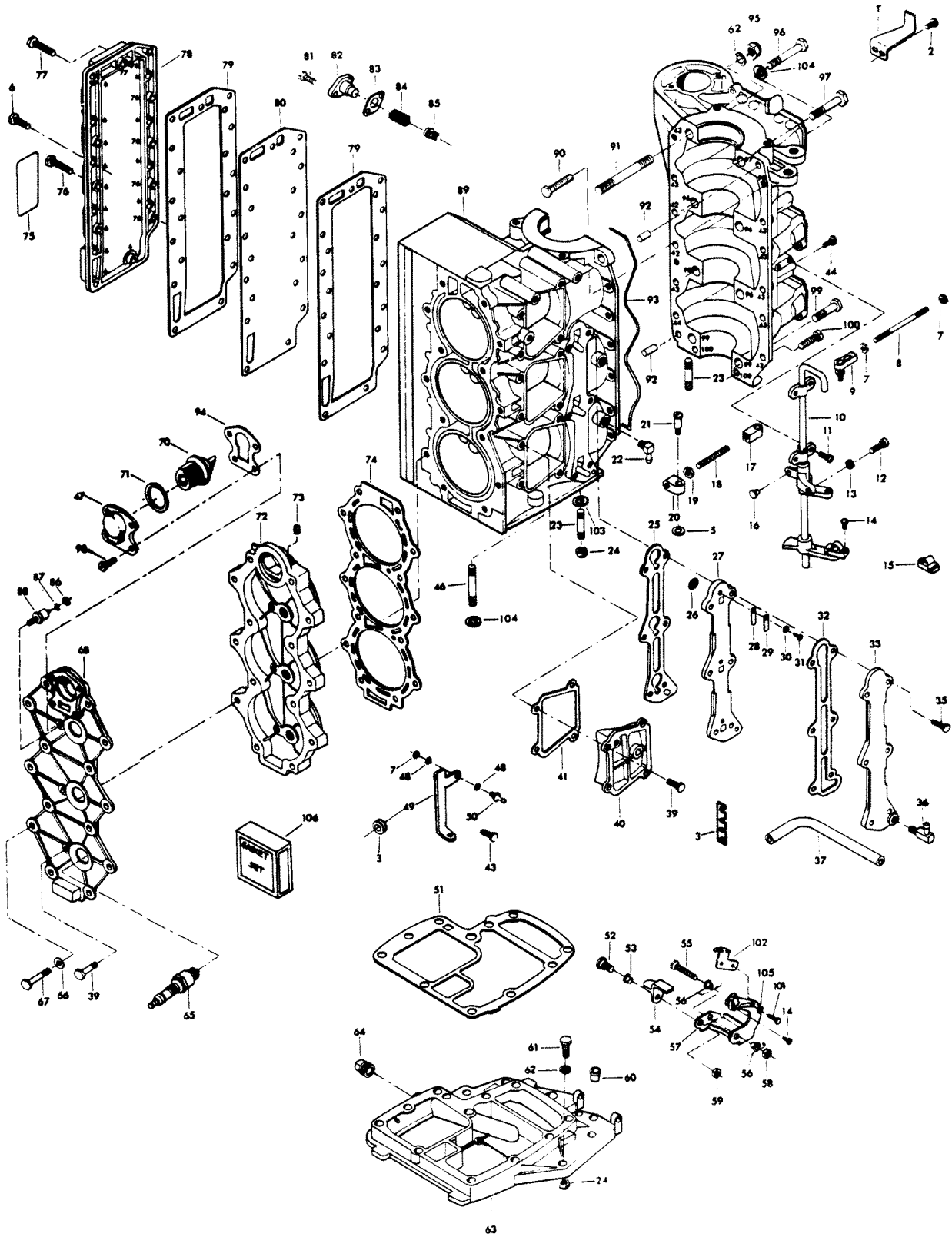


POWER HEAD

REF. NO.	PART NO.	SYM.	QTY.	DESCRIPTION
47	F476066-1		1	COVER, THERMOSTAT
48	F8058		4	INTERNAL TOOTH LOCKWASHER
49	85872-1		1	BRACKET
50	F98273		2	ROD END CONNECTOR STUD
51	F85279-2		1	CYLINDER EXHAUST GASKET, UPPER
52	F369887		1	SHOULDER SCREW
53	F369610		1	BEARING
54	F369977-1		1	INTERLOCK ARM
55	F1885		1	HEX BOLT, 5/16 - 18 X 4 1/4
56	F85610		2	BEARING
57	FA480876		1	GEAR SHIFT ARM W/SWIVEL, INTERLOCK ARM AND BEARINGS
58	F2108		1	STOP NUT, 5/16 - 18
59	F1832		1	STOP NUT, 1/4 - 20
60	F40689-1		1	BEARING, TOWERSHAFT
61	F1869		6	HEX BOLT, 3/8 - 16 X 1 1/4
62	F1703		6	SPRING LOCKWASHER
63	817788A3		1	SPACER PLATE W/PLUGS
64	F2090		1	PLUG
65	33-97180		3	SPARK PLUG (CHAMPION L-20-V) USA
-	FC522227		3	SPARK PLUG QUL-77V FOR MODEL 857B9G (CANADA)
66	F1987		14	PLAIN WASHER
67	F1883		14	HEX BOLT, 5/16 - 18 X 2 3/8
68	F499995		1	CYLINDER HEAD COVER
70	F528068		1	THERMOSTAT
71	F84504		1	GROMMET
72	F480518		1	CYLINDER HEAD
73	F19109		1	PLUG
74	F369529		1	CYLINDER HEAD GASKET
75	F438398		1	DECAL, WIRING - U.S.A.
-	FC438398		1	DECAL, WIRING - CANADA
76	F1709		5	HEX HD SCREW, 1/4 - 20 X 1 1/8
77	F1849		1	HEX HD SCREW, 1/4 - 20 X 1 3/8
78	F85152-4		1	EXHAUST PORT COVER
79	F85154-1		2	GASKET, EXHAUST PORT PLATE
80	F85151-1		1	EXHAUST PORT PLATE
81	F1950		2	HEX HD SCREW, 10 - 24 X 5/8
82	F438066		1	BY-PASS VALVE COVER
83	F85762		1	GASKET, BY-PASS
84	F404268		1	SPRING, BY-PASS VALVE
85	F85916-1		1	BY-PASS VALVE
86	F1647		1	HEX NUT, 10 - 32
87	F8056		1	SPRING LOCKWASHER

CONTINUED ON NEXT PAGE ➡

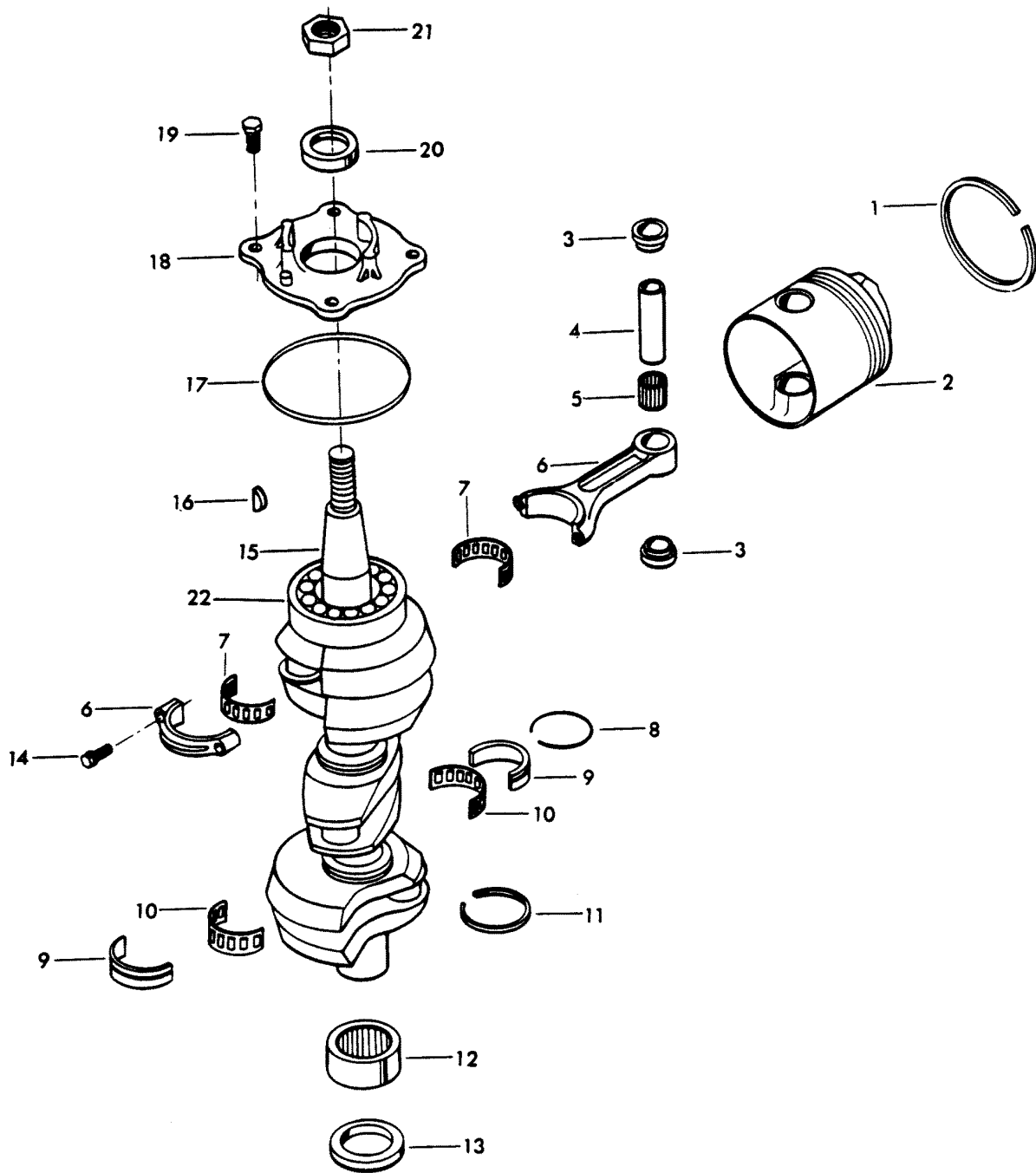
POWER HEAD



POWER HEAD

REF. NO.	PART NO.	SYM.	QTY.	DESCRIPTION
88	87-817778A1		1	THERMOSWITCH
89	800-817823A7		1	CYLNDR ASS'Y W/PARTING LINE SEAL & LOWER MAIN BEARING ASS'Y
-	800-817901A9		1	SHORT BLOCK, NOT SHOWN INCLUDES ALL ITEMS MARKED WITH AN ASTERISK (*). ALSO REFER TO CRANKSHAFT PAGE. ORIGINAL FORCE P/N C481010-4
90	F1864		1	HEX HD SCREW, 1/4 - 20 X 3/4
91	F85210		1	STUD
92	F8563		2	DOWEL PIN
93	F85122		1	PARTING LINE SEAL
94	F476067		1	GASKET, THERMOSTAT COVER
95	F1347		1	HEX NUT, 3/8 - 16
96	F1873		4	HEX BOLT, 3/8 - 16 X 3
97	F1009		1	HEX BOLT, 3/8 - 16 X 2 3/4
98	F1110		4	FILL HD SCREW, 1/4 - 20 X 5/8
99	F1872		2	HEX BOLT, 3/8 - 16 X 1 3/4
100	F1099		2	FILL HD SCREW, 1/4 - 20 X 1 1/4
101	F2089		2	SLOTTED PAN HD MACHINE SCREW, 10 - 24 X 5/16
102	F480107-1		1	CAM, STARTER INTERLOCK
103	F8038		4	PLAIN WASHER
104	F8095		14	PLAIN WASHER
105	F2042		2	PLAIN WASHER
106	FG460-1		1	GASKET SET
-	F40223		3	TRANSFER PORT COVER GASKET
-	F84031		1	WATER PUMP GASKET
-	F84278		1	CRANKSHAFT BRG. SEAL CAGE SEAL
-	F84504		1	THERMOSTAT GROMMET
-	F85122		1	CRANKCASE SEAL
-	F85154-1		2	EXHAUST PORT PLATE GASKET
-	F85159		1	MANIFOLD GASKET
-	F85168		3	CARBURETOR ADAPTER FLANGE GASKET
-	F85279-2		1	CYLINDER, EXHAUST - UPPER GASKET
-	F85453-1		1	CYLINDER, EXHAUST - LOWER GASKET
-	F85472-2		1	CYLINDER DRAIN COVER GASKET
-	F85748-2		1	CYLINDER DRAIN REED PLATE GASKET
-	F85762		1	BY-PASS VALVE GASKET
-	F85836-1		3	INTAKE GASKET
-	F85906		3	CARBURETOR GASKET
-	F316555		1	GEAR HOUSING SEAL
-	F369529		1	CYLINDER HEAD GASKET
-	F476067		1	THERMOSTAT COVER GASKET
-	F481836		3	INTAKE GASKET

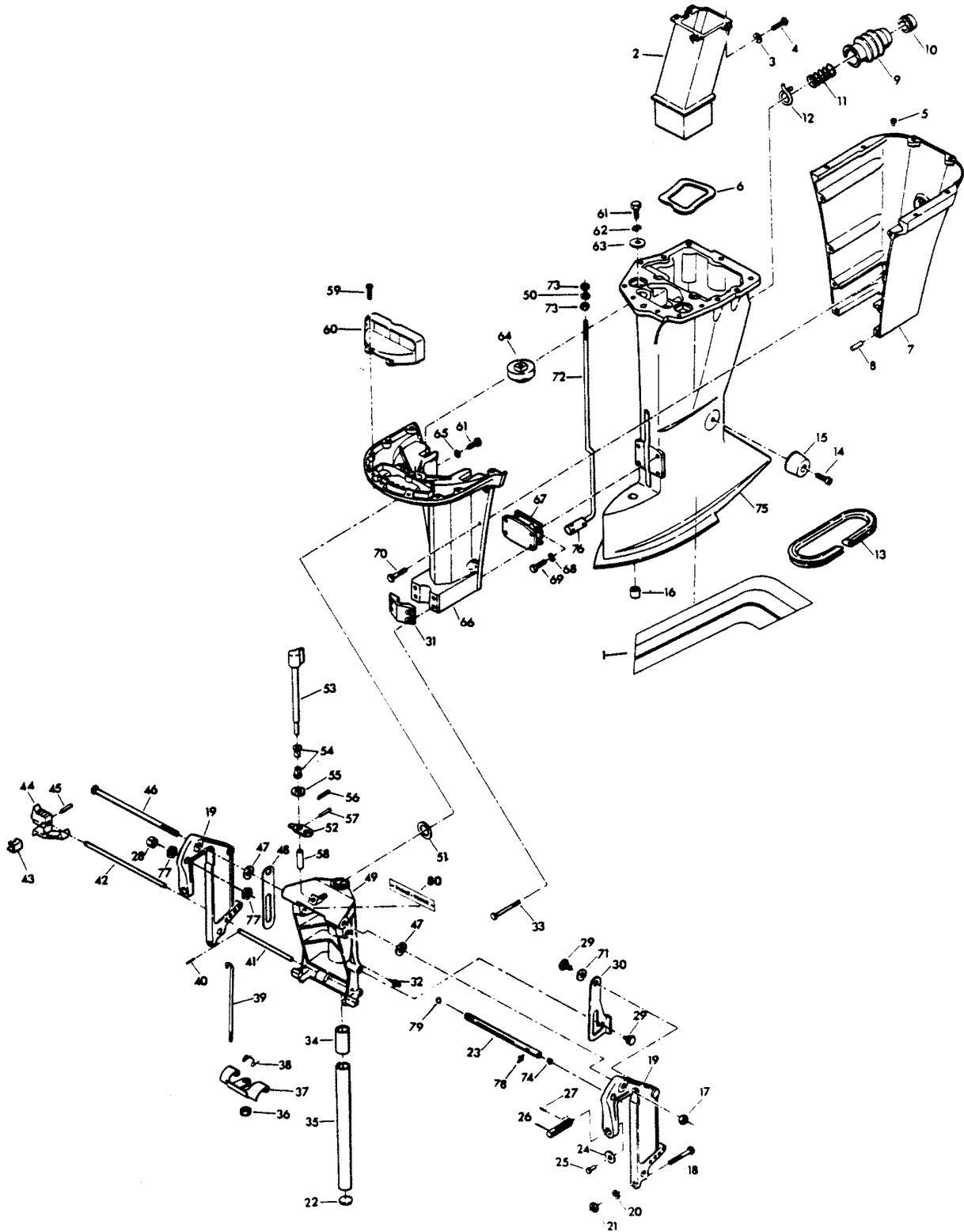
CRANKSHAFT AND PISTON GROUP



CRANKSHAFT AND PISTON GROUP

REF. NO.	PART NO.	SYM.	QTY.	DESCRIPTION
1	FA335260		3	PISTON RING SET (3 PER SET)
-	FSA335260		3	PISTON RINGS (3 PER SET) .010 OVERSIZE (NOT SHOWN)
-	39-818110A1		3	PISTON RINGS (3 PER SET) .030 OVERSIZE (NOT SHOWN)
2	700-F372015-3		3	PISTON
-	700-817988A2		3	PISTON .010 OVERSIZE (NOT SHOWN)
-	700-818111A2		3	PISTON .030 OVERSIZE (NOT SHOWN)
3	F335215		6	SPACER, PISTON PIN (2 PER PISTON)
4	F85017		3	PISTON PIN
5	F335217-1		3	BEARING PISTON PIN (26 PER SET)
6	600-818052A4		3	CONNECTING ROD W/CAP AND SCREWS
7	FK85228		3	BEARING CAGE W/ROLLER
8	F85410		2	SNAP RING
9	FA85655-1		2	CRANKSHAFT MAIN BEARING RACE W/SNAP RING
10	F85571		2	BEARING CAGE W/ROLLER
11	F316579		2	SEAL, CRANKCASE
12	FA523014		1	CRANKSHAFT LOWER MAIN BEARING W/SEAL
13	F523146		1	SEAL, LOWER
14	F85634-2		6	CONNECTING ROD SCREW
15	FA85018-2		1	CRANKSHAFT W/BEARING
16	F85498		1	FLYWHEEL KEY
17	F84278		1	SEAL, CRANKSHAFT BEARING CAGE
18	31-817785A2		1	CRANKSHAFT BEARING CAGE W/SEAL
19	F1867		4	HEX CAP SCREW, 3/8 - 16 X 1
20	F84146-2		1	SEAL
21	F1968		1	FLYWHEEL NUT
22	F284659-2		1	CRANKSHAFT THRUST BEARING UPPER
-	F2067		1	PLASTISOL CAP (NOT SHOWN)

MOTOR LEG

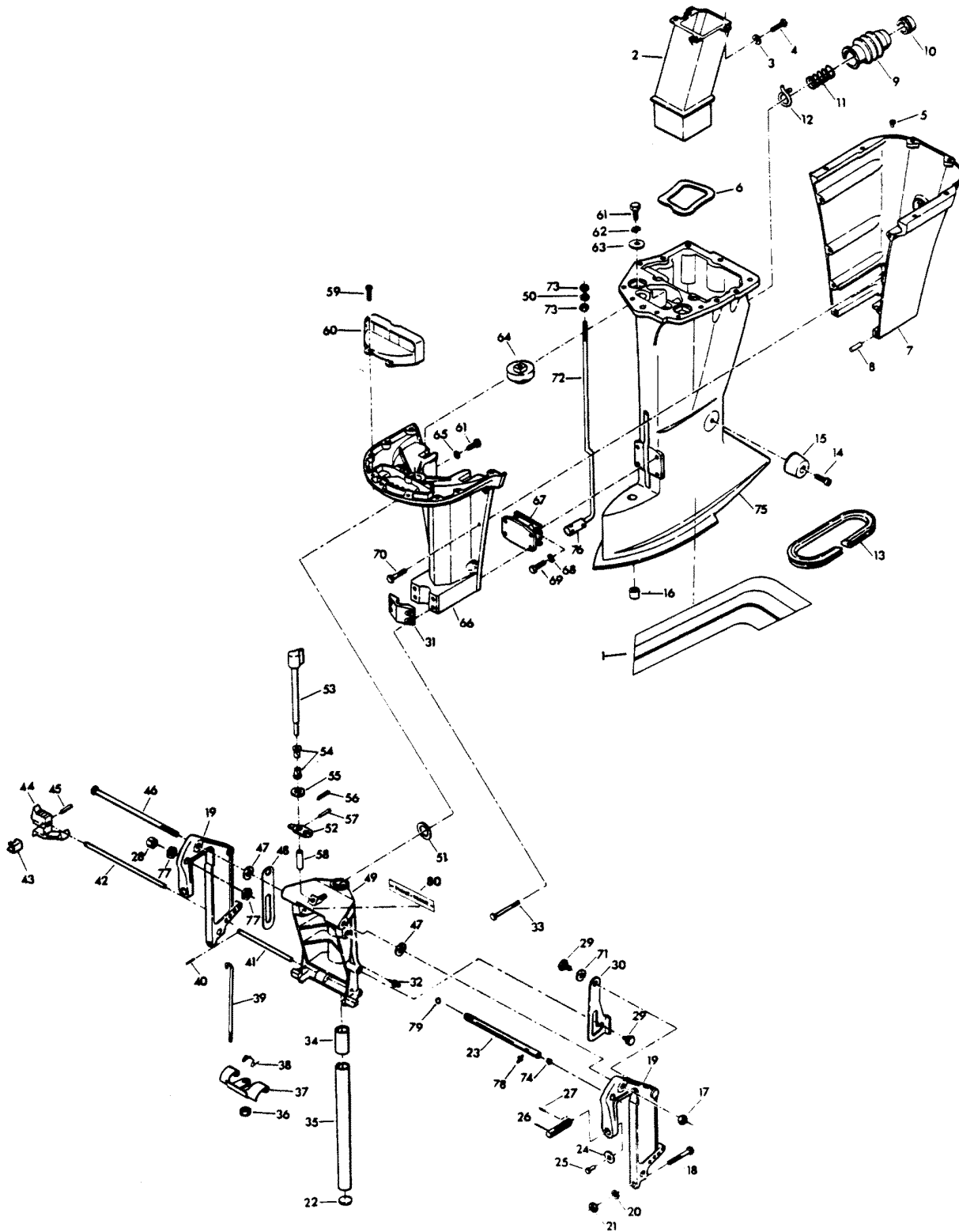


MOTOR LEG

REF. NO.	PART NO.	SYM.	QTY.	DESCRIPTION
1	A553392		1	DECAL, LEG - PORT
-	A553391		1	DECAL, LEG - STARBOARD
2	F85660-1		1	EXHAUST TUBE
3	F8083		4	SPRING LOCKWASHER
4	F1864		4	HEX SLOT HD SCREW 1/4 - 20 X 3/4
5	F1729		2	PLUG
6	F439736		1	SEAL EXHAUST TUBE
7	817931A7		1	MOTOR LEG COVER REAR
8	F1664		2	SPRING PIN
9	F85130		1	BOOT, IDLE EXHAUST
10	F85258		1	INSERT
11	F85380		1	SPRING
12	F85772		1	CLAMP
13	F178323		1	SEAL, MOTOR LEG
14	F1263		2	HEX SOCKET HD CAP SCREW 5/16 - 18 X 9/16
15	F438962		2	SHOCK MOUNT SIDE
16	F338618-1		1	SEAL, GEAR SHIFT ROD
17	F7012		1	LOCK NUT, 1/2 - 20
18	F1593		2	HEX HD SCREW 3/8 - 16 X 3
19	1400-817958A6		2	STERN BRACKET
20	F1904		2	PLAIN WASHER
21	F1346		2	HEX NUT 3/8 - 16
22	F1528		1	WELCH PLUG
23	F511125-2		1	TUBE, STEERING SUPPORT
24	F84074		2	CLAMP SCREW FOOT
25	F353480		2	STUD
26	F474073-1		2	CLAMP SCREW
27	F8538		2	SPRING PIN
28	F9018		1	CAP
29	F85350-1		4	TILT STOP PIVOT
30	F85541-1		1	TILT LOCK
31	F85606		1	KINGPIN CAP
32	F213274		3	GREASE FITTING
33	F1696		4	HEX BOLT 5/16 - 18 X 1 3/4
34	F438169		2	BEARING
35	FA85019		1	KINGPIN W/PLUG
36	F1669		1	LOCK NUT
37	F369349		1	REVERSE LOCK
38	F85300		1	REVERSE LOCK SPRING
39	F369510		1	LINK
40	F1744		1	SPRING PIN
41	F177350		1	REVERSE LOCK PIN
42	FA438113		1	STERN BRACKET LOCK BAR W/HANDLE

CONTINUED ON NEXT PAGE ➡

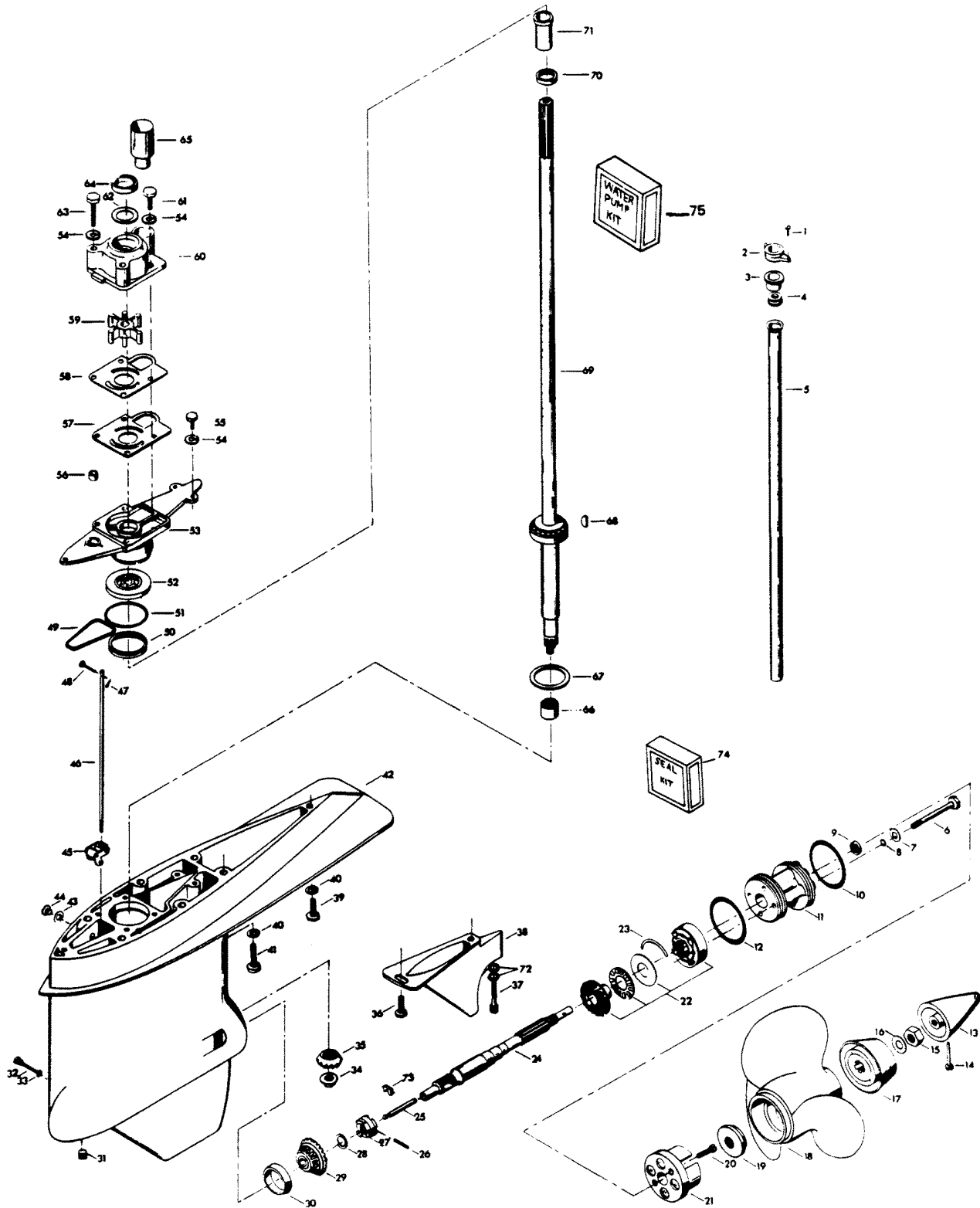
MOTOR LEG



MOTOR LEG

REF. NO.	PART NO.	SYM.	QTY.	DESCRIPTION
43	F286461		1	SPRING, LOCK BAR HANDLE
44	F433114		1	HANDLE, LOCK BAR
45	F1744		1	SPRING PIN
46	F85037-1		1	STERN BRACKET PIVOT BOLT
47	F84286-1		4	FRICTION WASHER
48	F85426		1	TILT STOP
49	817783A5		1	SWIVEL BRACKET W/BEARING AND GREASE FITTINGS
50	F1987		1	PLAIN WASHER
51	F84011		1	WASHER
52	F369364		1	REVERSE LOCK ARM
53	F369827		1	HANDLE AND SHAFT
54	F197813		2	BEARING
55	F8094		1	PLAIN WASHER
56	F1014		1	COTTER PIN
57	F1836		1	SPRING PIN
58	F483884		1	BEARING
59	F1912		4	HEX HD SCREW 10 - 24 X 1/2
60	F85779-1		1	BAFFLE, AIR INTAKE
61	F1871		4	HEX HD SCREW 3/8 - 16 X 3/4
62	F8039		2	PLAIN WASHER
63	FA85355-1		2	WASHER SHOCK MOUNT UPPER
64	F85965		2	SHOCK MOUNT, UPPER
65	F1703		2	SPRING LOCKWASHER
66	A85135-3		1	LEG COVER, FRONT
67	F438346		1	SHOCK MOUNT, LOWER
68	F8096		4	SPRING LOCKWASHER
69	F1822		4	HEX BOLT 5/16 - 18 X 7/8
70	F2030		6	HEX HD SCREW 1/4 - 20 X 1 1/4
71	F1666		2	BOWED SPRING WASHER
72	F85615		1	GEAR SHIFT ROD UPPER
73	F2108		2	LOCK NUT 5/16 - 18
74	F9052		1	PLUG
75	F523133-2		1	MOTOR LEG
76	F85704		1	COUPLER, GEARSHIFT ROD UPPER
77	F523280		2	NUT, STEERING SUPPORT TUBE
78	F523274		1	GREASE FITTING
79	F316599		1	SEAL, STEERING SUPPORT TUBE
80	F474390-1		1	DECAL, REVERSE LOCK - U.S.A.
-	37-819450		1	DECAL, REVERSE LOCK - CANADA

GEAR HOUSING

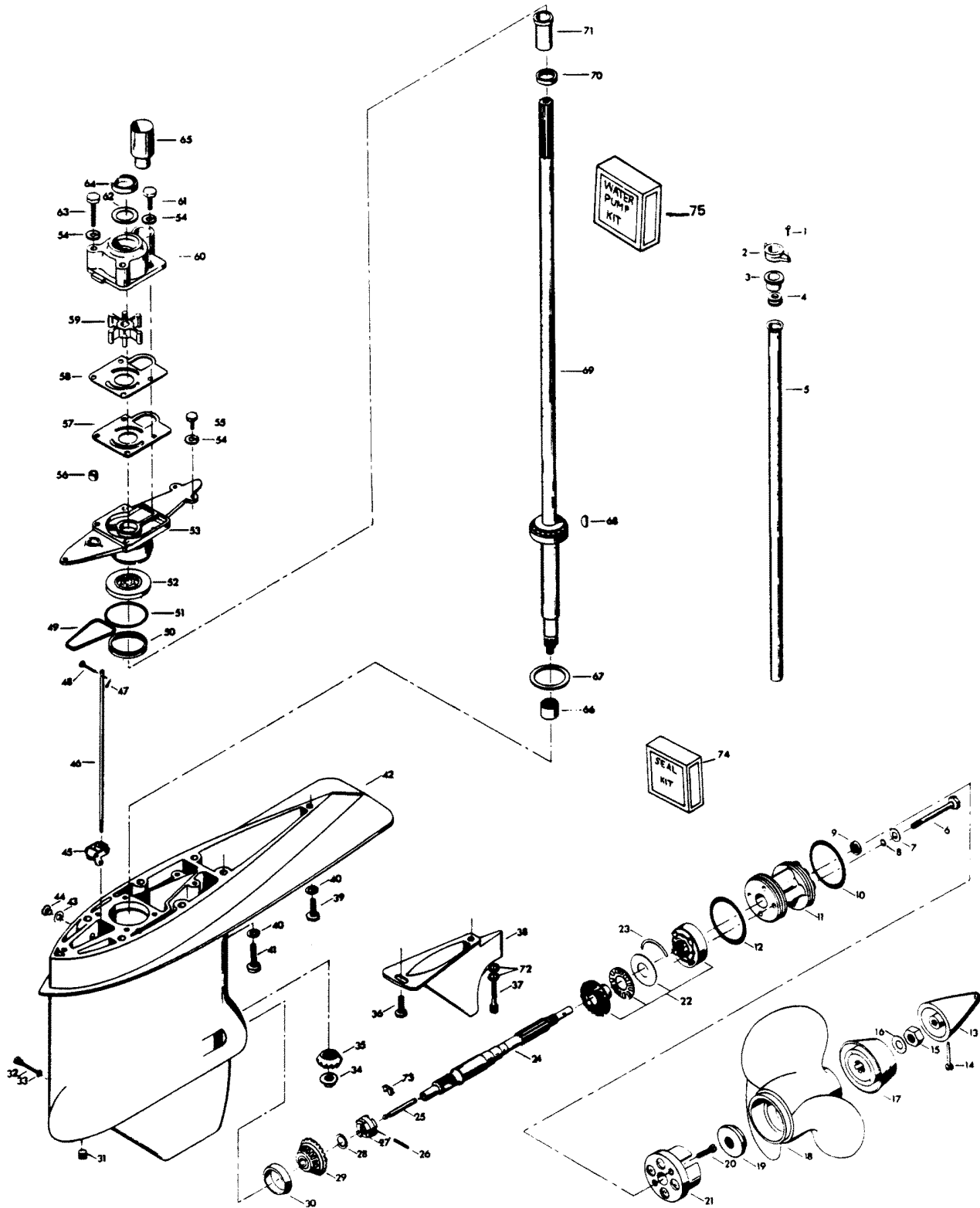


GEAR HOUSING

REF. NO.	PART NO.	SYM.	QTY.	DESCRIPTION
1	F1705		2	HEX CAP SCREW, 1/4 - 20 X 3/4
2	F85117		1	BRACKET, WATER LINE
3	F84342		1	SEAL, INLET WATER LINE UPPER
4	F523899		1	GROMMET, WATER LINE
5	F523244		1	INLET WATER LINE
6	F1885		4	HEX CAP SCREW, 5/16 - 18 X 4 1/4
7	F1907		4	PLAIN WASHER
8	F50342-1		4	SEAL, BEARING CAGE BOLTS
9	F506118		1	SEAL, PROPELLER SHAFT
10	F24278		1	SEAL, "O" RING PROPELLER SHAFT SPOOL
11	F2A523239		1	SPOOL, PROPELLER SHAFT BEARING W/SEALS
12	F84305		1	SEAL, PROPELLER SHAFT BEARING SPOOL
13	F523094-2		1	PROPELLER NUT
14	F498891		1	PIN, PROPELLER NUT RETAINING
15	F1788		1	STOP NUT
16	F1866		1	PLAIN WASHER
17	F523299-1		1	WASHER, PROPELLER SPLINE
18	FPS524		1	PROPELLER (ACCESSORY ITEM)
19	F523099-1		1	SPACER, PROPELLER
20	F1577		2	FILL HD SCREW, 1/4 - 20 X 3/4
21	FA523485		1	ANTI-CORROSION ANODE
22	F2A498662		1	BEVEL GEAR REAR W/BEARING CAGE, SPACER AND BEARING
23	F523411		2	RETAINING RING
24	FA523098		1	PROPELLER SHAFT
25	F84871-1		1	PIN, GEAR SHIFT
26	F1713		1	SPRING PIN
27	F84521-1		1	CLUTCH
28	F1936		A/R	SPACER, BEVEL GEAR FRONT .059
-	F1937		A/R	SPACER, BEVEL GEAR FRONT .062
-	F1938		A/R	SPACER, BEVEL GEAR FRONT .065
-	F1939		A/R	SPACER, BEVEL GEAR FRONT .068
-	F1940		A/R	SPACER, BEVEL GEAR FRONT .071
-	F1941		A/R	SPACER, BEVEL GEAR FRONT .074
-	F1942		A/R	SPACER, BEVEL GEAR FRONT .077
-	F2113		A/R	SPACER, BEVEL GEAR FRONT .080
-	F2114		A/R	SPACER, BEVEL GEAR FRONT .083
-	F2115		A/R	SPACER, BEVEL GEAR FRONT .086
-	F2116		A/R	SPACER, BEVEL GEAR FRONT .089
-	F2121		A/R	SPACER, BEVEL GEAR FRONT .057
-	F2122		A/R	SPACER, BEVEL GEAR FRONT .054
29	F2A498023		1	BEVEL GEAR FRONT W/BEARING
30	F523813		1	BEARING CUP

CONTINUED ON NEXT PAGE ➡

GEAR HOUSING

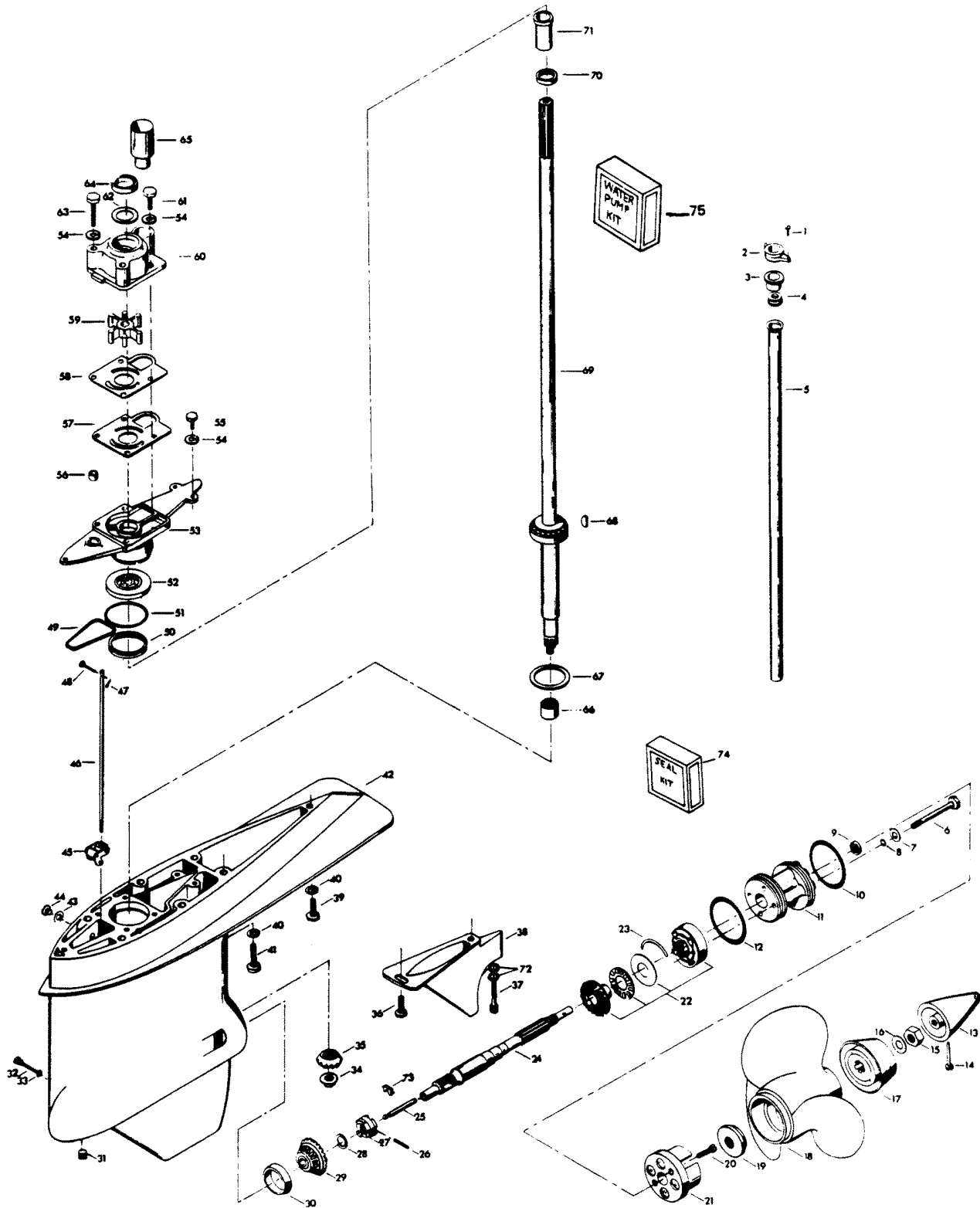


GEAR HOUSING

REF. NO.	PART NO.	SYM.	QTY.	DESCRIPTION
31	F19109		1	PLUG, GEAR HOUSING
32	F498891		1	PIN, GEAR SHIFT ARM
33	F498618		1	"O" RING
34	F523188		1	NUT, BEVEL PINION RETAINING
35	FA498266		1	BEVEL PINION GEAR W/CRUSH RING AND SHIMS
36	F438930		1	RETAINER, SNOUT
37	F1994		1	HEX SOCKET HD CAP SCREW, 5/16 - 18 X 1
38	F523116		1	EXHAUST SNOUT
39	F1858		1	HEX CAP SCREW, 5/16 - 18 X 1
40	F8096		7	SPRING LOCKWASHER
41	F1491		6	HEX CAP SCREW, 5/16 - 18 X 3 1/4
42	FA523054		1	GEAR HOUSING W/BEARING CUP DRIVESHAFT BEARING LOWER, PLUGS AND WASHERS
-	FC498054		1	GEAR HOUSING COMPLETE (NOT SHOWN) INCLUDES ALL ITEMS MARKED WITH AN ASTERISK (*).
43	F8077		2	WASHER, GEAR HOUSING PLUG
44	F50109		2	PLUG, GEAR HOUSING
45	FA84621-1		1	COUPLING, GEAR SHIFT ARM W/BUSHING
46	F523705		1	GEAR SHIFT ROD LOWER
47	F1015		1	COTTER PIN
48	F85372		1	PIN, GEAR SHIFT ROD LOWER
49	F523555		1	SEAL, "O" RING - GEAR HOUSING COVER
50	F523961		1	CRUSH RING
51	F74305		1	SEAL, DRIVESHAFT BEARING CAGE
52	F84307-1		1	SEAL, DRIVESHAFT
53	A532706		1	GEAR HOUSING COVER W/SEALS
54	F8083		7	SPRING LOCKWASHER
55	F1999		3	HEX CAP SCREW, 1/4 - 20 X 7/8
56	F338618-1		1	SEAL, GEAR SHIFT ROD
57	F523031		1	GASKET, WATER PUMP
58	F523562		1	WATER PUMP BACK PLATE
59	F523065		1	WATER PUMP IMPELLER
60	46-817853A1		1	WATER PUMP BODY W/DRIVESHAFT SEAL, DISC AND WATER LINE SEAL
61	F1990		2	HEX CAP SCREW, 1/4 - 20 X 1 5/8
62	F480388		1	DISC, WATER PUMP LOCATING
63	F1425		2	HEX CAP SCREW, 1/4 - 20 X 2 5/8
64	F351307		1	SEAL, WATER PUMP
65	FA523735		1	SEAL, INLET WATER LINE LOWER
66	F523057		1	BEARING, DRIVESHAFT LOWER
67	F9106		A/R	SHIM, DRIVESHAFT BEARING UPPER .003 BRASS
-	F9095		A/R	SHIM, DRIVESHAFT BEARING UPPER .005 SILVER
-	F9097		A/R	SHIM, DRIVESHAFT BEARING UPPER .010 BLACK
68	F523498		1	DRIVE KEY, WATER PUMP

CONTINUED ON NEXT PAGE ➡

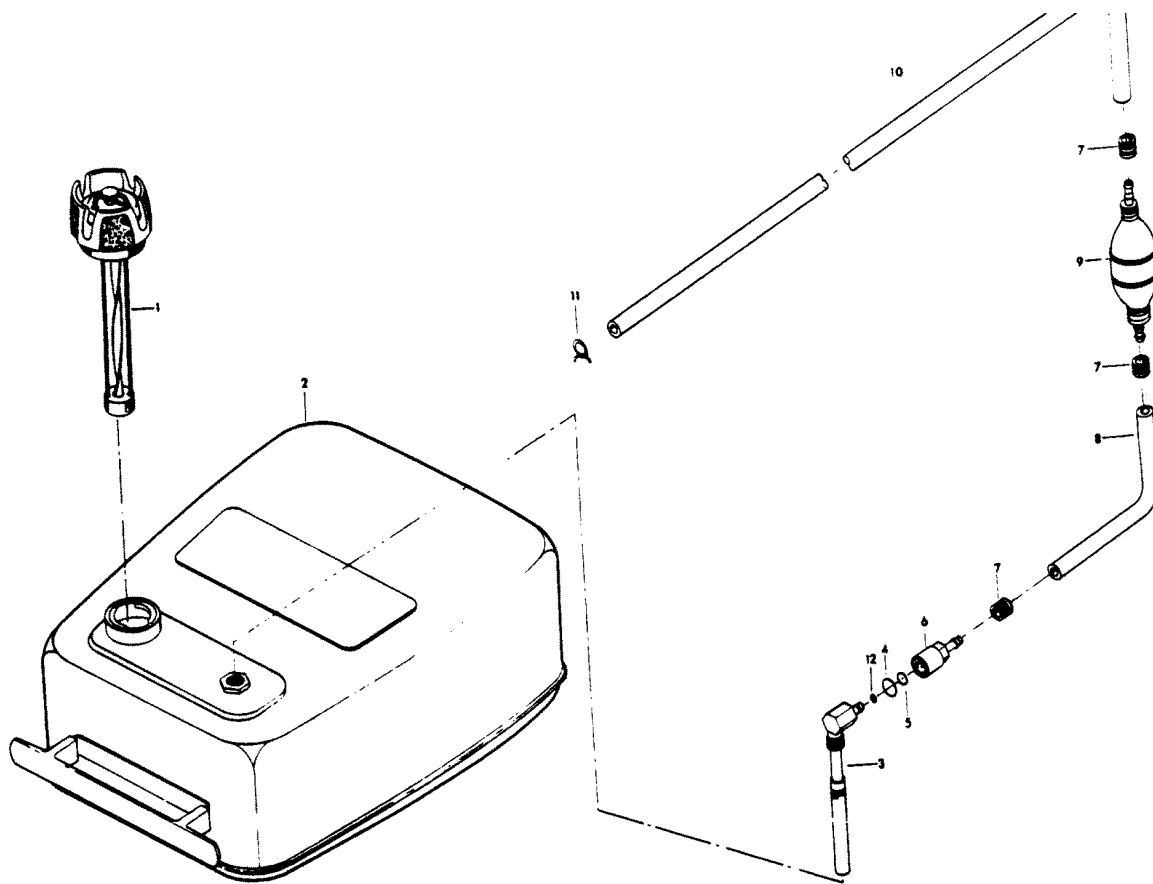
GEAR HOUSING



GEAR HOUSING

REF. NO.	PART NO.	SYM.	QTY.	DESCRIPTION
69	45-818017A3		1	DRIVESHAFT W/BEARING, SHIMS AND CRUSH RING
70	F438271		1	RETAINER, CRANKSHAFT SPLINE SEAL
71	F438129		1	SEAL, DRIVESHAFT SPLINE
72	F1856		2	PLAIN WASHER
73	F90619-1		1	YOKE
74	FK1063		1	SEAL KIT
-	F50342-1		4	BEARING CAGE BOLT SEAL
-	F506118		1	PROPELLER SHAFT SEAL
-	F24278		1	PROPELLER SHAFT SPOOL SEAL
-	F84305		1	PROPELLER SHAFT SPOOL SEAL
-	F498618		1	GEAR SHIFT ARM PIN SEAL
-	F8077		2	WASHER
-	F523555		1	GEAR HOUSING COVER SEAL
-	F74305		1	GEAR HOUSING COVER SEAL
-	F84307-1		1	DRIVE SHAFT SEAL
-	F338618-1		1	GEAR SHIFT ROD SEAL
75	FK1069		0	WATER PUMP KIT

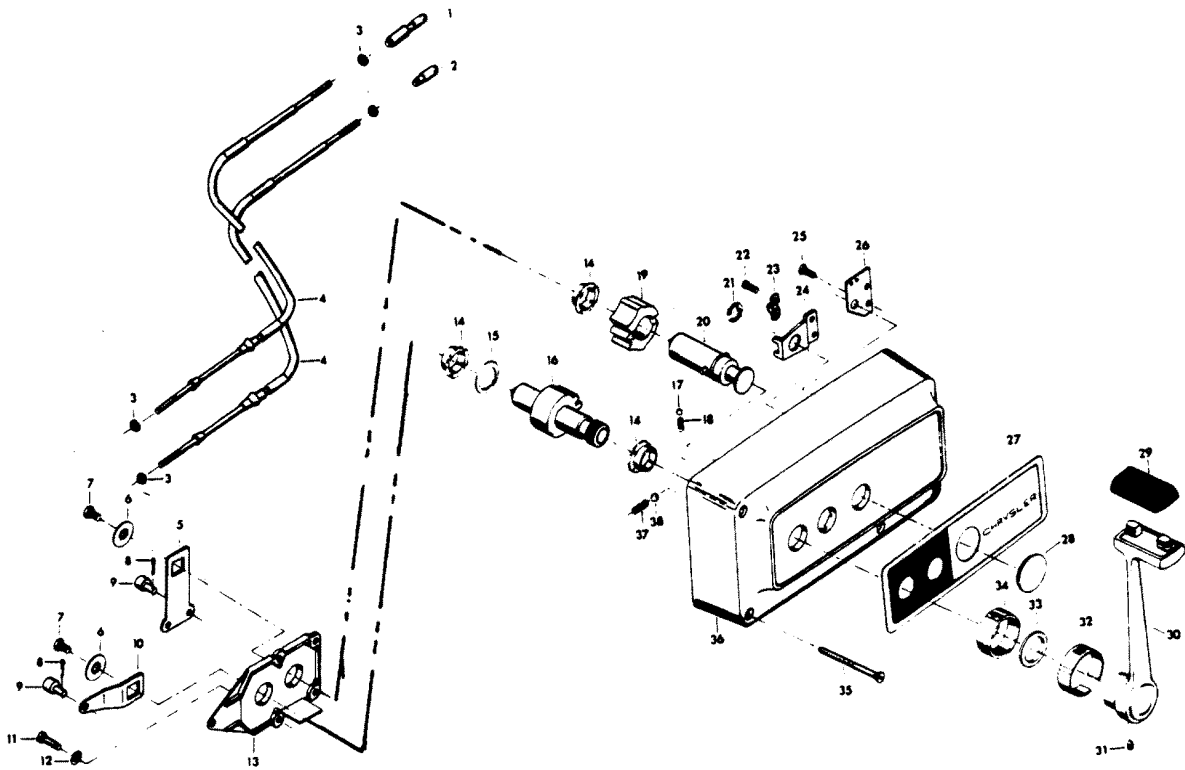
FUEL TANK AND LINE



FUEL TANK AND LINE

REF. NO.	PART NO.	SYM.	QTY.	DESCRIPTION
1	F409251-1		1	GAUGE CAP
2	F5H026		1	FUEL TANK (ACCESSORY ITEM)
3	F485755-1		1	FUEL TANK ADAPTER
4	F213342		1	SEAL, FUEL LINE COUPLER (LARGE)
5	F213735		1	SEAL, FUEL LINE COUPLER (SMALL)
6	F197787-3		1	FUEL LINE COUPLER
7	F298788		3	FERRULE
8	FA84754-1		1	FUEL LINE SHORT W/FERRULES
9	89396A38		1	PRIME BULB
10	32-817738A1		1	FUEL LINE LONG W/CLAMP AND FERRULE
11	F97772		1	FUEL LINE CLAMP
12	F17932		1	SEAL, FUEL TANK ADAPTER
-	FS409752		1	FUEL LINE COMPLETE (NOT SHOWN)
-	FC409398		1	DECAL, TOTE TANK - CANADA (NOT SHOWN)

REMOTE CONTROL

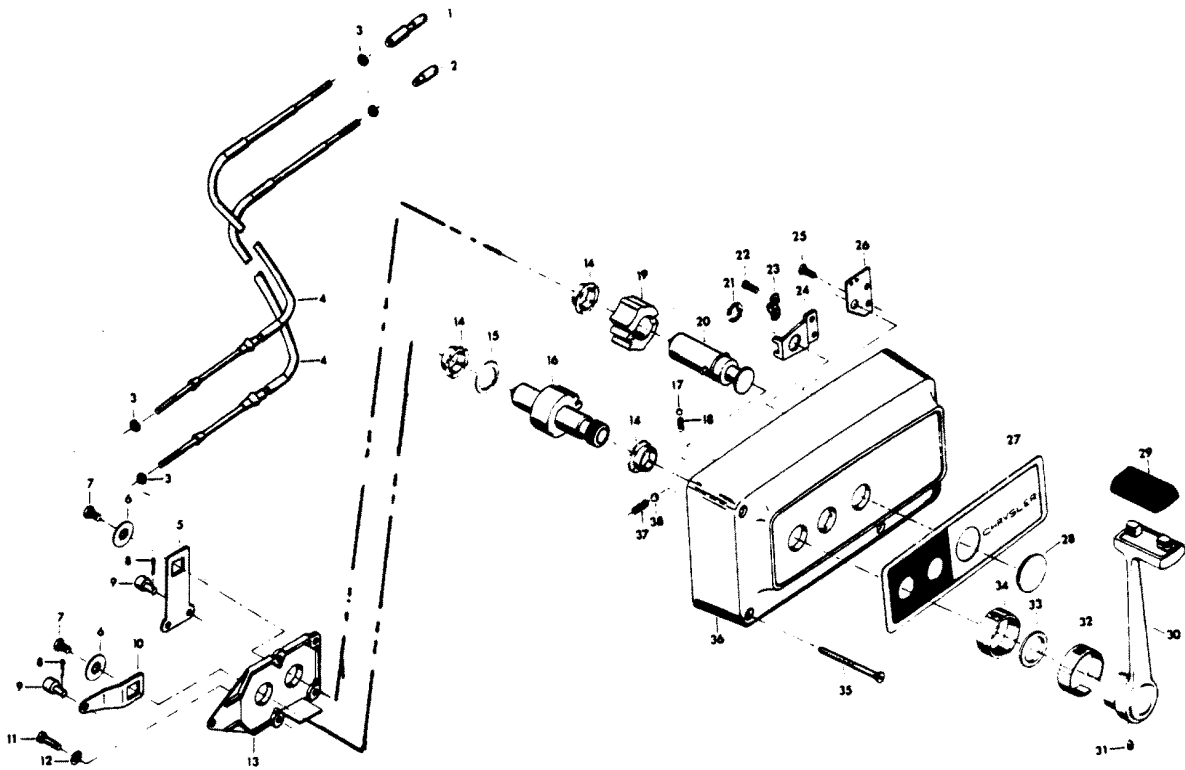


REMOTE CONTROL

REF. NO.	PART NO.	SYM.	QTY.	DESCRIPTION
1	FA58976-1		1	CONNECTOR, THROTTLE CABLE
2	F58685-2		1	CONNECTOR, SHIFT CABLE
3	F1513		4	HEX NUT
4	ÄF58356//		2	REMOTE CONTROL CABLE (SPECIFY LENGTH)
5	F17019		1	CLUTCH ARM
6	F17036		2	INTERNAL TOOTH LOCKWASHER
7	F1715		2	HEX BOLT, 1/4 - 28 X 9/16
8	F17149		2	COTTER PIN
9	F17016		2	CABLE TERMINAL
10	F17014		1	THROTTLE ARM
11	F17013		2	FILL HD SCREW, 1/4 - 20 X 1/2
12	F17147		2	INTERNAL TOOTH LOCKWASHER
13	F17012		1	RETAINING PLATE
14	F17009		3	BEARING
15	F17011		1	BOWED WASHER
16	F17010-1		1	THROTTLE GEAR
17	F17111		1	DETENT BALL
18	F17006		1	DETENT SPRING
19	F17021		1	CLUTCH GEAR
20	F17100		1	CLUTCH SHAFT
21	F17092		1	SNAP RING
22	F17071		2	FILL HD SCREW, 10 - 24 X 5/16
23	F154317		1	CABLE CLAMP
24	F17026		1	SWIVEL
25	F1557		2	FLAT HD SCREW, 10 - 24 X 3/8
26	F17112		1	JUNCTION BOARD, STARBOARD
-	F17113		1	JUNCTION BOARD, PORT
27	F17148		1	DECAL, STARBOARD
-	F531892		1	DECAL PORT
28	F17031-1		1	SNAP CAP
29	F17116		1	KNOB
30	F17115-1		1	HANDLE
31	F17030-1		1	SET SCREW
32	FK17114-1		1	INDICATOR
33	F17105		1	FELT WASHER
34	F17106		1	COLLAR
35	F17146		3	WOOD SCREW
36	F17099-1		1	HOUSING

CONTINUED ON NEXT PAGE ➡

REMOTE CONTROL



REMOTE CONTROL

REF. NO.	PART NO.	SYM.	QTY.	DESCRIPTION
37	F17068		1	DETENT SPRING
38	F17082-1		1	DETENT BALL
-	F1280		2	PAN HD SCREW, 8 - 32 X 1/4 (TERMINAL BOARD) (NOT SHOWN)
-	OB3061		1	LITERATURE (NOT SHOWN)
-	F17103-1		1	BAG ASSEMBLY (NOT SHOWN) INCLUDES ITEMS MARKED WITH AN ASTERISK (*)

SPECIAL TOOLS - TUNE-UP

REF. NO.	PART NO.	SYM.	QTY.	DESCRIPTION
-	FT8948-1		0	PULLER TO REMOVE FLYWHEEL
-	FTA2937-1		0	TIMING TOOL TO ADJUST TIMING POINTER
-	FT8978		0	TIMING LIGHT FOR SETTING IGNITION TIMING

SPECIAL TOOLS - POWER HEAD

REF. NO.	PART NO.	SYM.	QTY.	DESCRIPTION
-	FT8914		0	SEAL REMOVER TO REMOVE UPPER CRANKSHAFT BEARING CAGE SEAL.
-	FT8903		0	SEAL INSTALLER TO INSTALL UPPER CRANKSHAFT BEARING CAGE SEAL.
-	FT8927		0	SEAL PROTECTOR TO INSTALL UPPER CRANKSHAFT BEARING CAGE.
-	FT8925		0	SEAL INSTALLER TO INSTALL LOWER CRANKSHAFT SEAL.
-	FT8907		0	DRIVE HANDLE USED WITH T8903.
-	FT1082		0	SNAP RING PLIER TO INSTALL AND REMOVE DISTRIBUTOR RETAINING RING.
-	FT2953		0	SOCKET TO TORQUE CONNECTING ROD SCREWS.
-	FT2990		0	PISTON PIN TOOL TO REMOVE AND INSTALL PISTON PINS.
-	FT2996		0	RING COMPRESSOR TO INSTALL PISTONS IN CYLINDER
-	FT8926		0	RING EXPANDER TO INSTALL PISTON RINGS.

SPECIAL TOOLS - GEAR HOUSING

REF. NO.	PART NO.	SYM.	QTY.	DESCRIPTION
-	FT8948-1		0	PULLER TO REMOVE PROPELLER SHAFT BEARING CAGE AND SPOOL FROM GEAR HOUSING.
-	FT8918		0	BEARING GUIDE SET TO REMOVE AND INSTALL BEARING CUP IN GEAR HOUSING
-	FT11209		0	BEARING GUIDE SET USE WITH T8918.
-	FT8957		0	SEAL INSTALLER TO INSTALL SHIFT ROD SEAL.
-	FT8985		0	SEAL INSTALLER TO INSTALL PROPELLER SHAFT SEAL IN PROPELLER SHAFT SPOOL.
-	FT11207		0	BEARING CUP REMOVER TO REMOVE FORWARD BEARING CUP IN GEAR HOUSING.
-	FT11204		0	BEARING CUP INSTALLER TO INSTALL FORWARD BEARING CUP IN GEAR HOUSING.
-	FT8925		0	SEAL INSTALLER TO INSTALL DRIVESHAFT SEAL IN GEAR HOUSING COVER.
-	FT3012		0	SEAL INSTALLER TO INSTALL WATER PUMP SEAL.
-	FT8901		0	INDICATOR HOLDER USED IN CONJUNCTION WITH T8997.
-	FT8902		0	DIAL INDICATOR USED IN CONJUNCTION WITH T8997.
-	FT11205		0	BEARING INSTALLER/REMOVER TO INSTALL AND REMOVE LOWER DRIVESHAFT BEARING IN GEAR HOUSING.
-	FT8919		0	SPRING PIN PUNCH TO REMOVE CLUTCH SPRING PIN.
-	FT8907		0	DRIVER HANDLE TO INSTALL BEARING CUPS AND SEALS.
-	FT8997		0	SHIMMING TOOL TO SHIM LOWER UNIT.
-	FT7848		0	TORQUING ADAPTER HOLDS DRIVESHAFT WHILE INSTALLING OR REMOVING PINION NUT.

SPECIAL TOOLS - TEST EQUIPMENT

REF. NO.	PART NO.	SYM.	QTY.	DESCRIPTION
-	FT2951		0	CIRCUIT TRACER TO TROUBLESHOOT ELECTRICAL SYSTEM.
-	FT8933		0	LIFTING HOOK TO LIFT ENGINE.
-	FTK8999		0	TEST WHEEL TO TEST MOTOR IN TEST TANK. ORIGINAL FORCE P/N TA8999
-	FT8950		0	LEAKAGE TESTER TO TEST LOWER UNIT SEALS FOR LEAKAGE.
-	FT8953		0	IGNITION TESTER TO TEST OUTPUT OF C-D UNIT.

SPECIAL TOOLS - LUBRICANTS AND SEALANTS

REF. NO.	PART NO.	SYM.	QTY.	DESCRIPTION
-	FT2961		0	LUBRICANT
-	FT2987-1		0	LUBRICANT
-	FT8969		0	LUBRICANT
-	FT8955		0	SEALANT
-	FT8993		0	SEALANT
-	FT8936		0	SEALANT
-	FT2962-1		0	SEALANT
-	FT2963-1		0	SEALANT
-	FT8935		0	SEALANT PRIMER

ACCESSORIES

REF. NO.	PART NO.	SYM.	QTY.	DESCRIPTION
-	F5H014		0	FLUSHING ADAPTER PERMITS FRESH WATER FLUSHING OF WATER PASSAGES WITH STANDARD GARDEN HOSE.
-	F5H130		0	REMOTE CONTROL BOX (SINGLE LEVER) (SURFACE MOUNT) PERMITS REMOTE CONTROL OF THROTTLE AND GEAR SHIFT FROM STARBOARD SIDE OF BOAT.
-	F5H120		0	REMOTE CONTROL BACK PLATE PROTECTS CONTROL MECHANISM FROM PADDED BOAT SURFACES.
-	F5H131		0	PORT SIDE DECAL KIT CONVERTS 5H130 CONTROL BOX TO PORT SIDE MOUNTING.
-	F590		0	REMOTE CONTROL HEAD (SINGLE LEVER) (FLUSH MOUNT) FLUSH MOUNT CONTROL UNIT PERMITS REMOTE CONTROL OF THROTTLE AND GEAR SHIFT. MAY BE MOUNTED ON PORT OR STARBOARD SIDE OF BOAT.
-	865		0	DUAL-SINGLE LEVER CONTROL BOX (SURFACE MOUNT) PERMITS REMOTE CONTROL OF THROTTLE AND GEAR SHIFT ON TWIN ENGINE INSTALLATIONS. MAY BE MOUNTED ON PORT OR STARBOARD SIDE OF BOAT.
-	F195/___		0	REMOTE CONTROL CABLES CONNECTS REMOTE CONTROL BOX TO THROTTLE AND GEAR SHIFT ON ENGINE. AVAILABLE IN 6 THROUGH 40 FOOT LENGTHS.
-	F5H108		0	STEERING CONNECTOR CLEVIS TYPE FOR BOAT MOUNTED STEERING AND THREADED CABLE END.
-	F5H018		0	DUAL ENGINE TIE BAR PERMITS DUAL ENGINE INSTALLATIONS.
-	F5H094		0	STEERING LINK KIT CONNECTS ENGINE TO REMOTE STEERING CABLE.
-	F5H026		0	STEEL, 6 GALLON FUEL TANK (LOW PROFILE) AUXILIARY TANK.
-	F5H029		0	TANK ANCHOR SECURES 5H026 TO BOAT.
-	F5H040		0	STEEL, 12 GALLON FUEL TANK AUXILIARY TANK.
-	71H06		0	AMMETER FLUSH MOUNT MONITORS OUTPUT OF ALTERNATOR.
-	F5H019		0	ANTI-CORROSION KIT ELECTRICAL KIT FOR MOUNTING ON BOAT (12V) TO REDUCE CORROSION.
-	F5H025		0	ANTI-CORROSION SACRIFICIAL ANODE KIT USED TO REDUCE CORROSION.
-	F5H043		0	OVERHEAT BUZZER SOUNDS WARNING BUZZER IF ENGINE OVERHEATS.
-	F5H010		0	POWER TRIM INDICATOR - FLUSH MOUNT INDICATES ENGINE TRIM ANGLE.
-	F5H134		0	BOAT WHITE LACQUER ENGINE TOUCH-UP PAINT IN 12 3/4 OZ. SPRAY BOMBS (6 CANS PER CASE).
-	F5H135		0	SAND TAN LACQUER ENGINE TOUCH-UP PAINT IN 12 3/4 OZ. SPRAY BOMBS (6 CANS PER CASE).
-	F5H068		0	RFI SUPPRESSION KIT PROVIDES RADIO NOISE SUPPRESSION.
-	F5H119		0	PROPELLER SPACER - FLARED REDUCES PROPELLER VENTILATION ON SOME BOAT APPLICATIONS.
-	F5H081		0	BATTERY CABLE LONGER LENGTH - 15 FEET.

CONTINUED ON NEXT PAGE ➡

ACCESSORIES

REF. NO.	PART NO.	SYM.	QTY.	DESCRIPTION
-	F5H006		0	VOLTMETER - FLUSH MOUNT INDICATES BATTERY CONDITION.
-	5H047		0	CANVAS HOOD PROTECTION FOR ENGINE COVER.
-	5H051		0	BATTERY, 74 AMP 12 VOLT HEAVY DUTY BATTERY.
-	F5H021		0	EXTENSION CABLE FOR LENGTHENING BATTERY CABLE 6 1/2 FEET.
-	F5H041		0	BATTERY TERMINAL KIT ADAPTS MODEL 5H051 BATTERY TERMINALS FOR CONNECTIONS TO BATTERY CABLE ON ENGINE.
-	71H25		0	CHARGE INDICATOR LAMP GLOWS GREEN WHEN ALTERNATOR IS RECHARGING BATTERY. DO NOT USE INDICATOR LAMP AND AMMETER IN SAME INSTALLATION.
-	F5H037		0	CIGAR LIGHTER FOR USE AS CONVENIENCE OUTLET.
-	168		0	CONTROL PANEL FOR MOUNTING LAMPS, SWITCHES, ETC.
-	5H111		0	INSTRUMENT ADAPTER - "2" PROVIDES FOR SURFACE MOUNTING OF FLUSH INSTRUMENTS.
-	F5H112		0	INSTRUMENT ADAPTER - "3 1/2" PROVIDES FOR SURFACE MOUNTING OF FLUSH INSTRUMENTS.
-	F5H008		0	FUEL GAUGE FLUSH MOUNT MONITORS FUEL SUPPLY
-	479		0	HEAT LAMP KIT GLOWS RED IF ENGINE OVERHEATS. DO NOT USE HEAT LAMP AND TEMPERATURE GAUGE IN SAME INSTALLATION.
-	478		0	IGNITION LAMP KIT GLOWS ORANGE WHEN IGNITION SWITCH IS IN "ON" POSITION.
-	F5H077		0	IGNITION KEY SWITCH SHORT BARREL WITH KEYS.
-	F5H078		0	IGNITION KEY SWITCH LONG BARREL WITH KEYS.
-	F762		0	REMOTE ELECTRIC CABLE 25 FOOT CABLE FOR LARGE BOATS.
-	5H082		0	REMOTE ELECTRIC CABLE 35 FOOT CABLE FOR LARGE BOATS.
-	F5H070		0	REMOTE ELECTRIC CABLE 21 FOOT CABLE FOR LARGE BOATS.
-	F5H028		0	SENDING UNIT FOR USE WITH 5H008 FUEL GAUGE.
-	F5H007		0	HOURLMETER - FLUSH MOUNT RECORDS ENGINE RUNNING TIME.
-	F5H005		0	TEMPERATURE GAUGE FLUSH MOUNT MONITORS ENGINE TEMPERATURE. DO NOT USE TEMPERATURE GAUGE AND HEAT LAMP IN SAME INSTALLATION.
-	F5H012		0	TACHOMETER FLUSH MOUNT MONITORS ENGINE R.P.M. TO PROVIDE CHECK OF ENGINE PERFORMANCE.
-	F5H002		0	SPEEDOMETER FLUSH MOUNT MONITORS BOAT SPEED (0-65 M.P.H.)
-	F5H004		0	SPEEDOMETER FLUSH MOUNT MONITORS BOAT SPEED (0-50 M.P.H.)
-	F5H003		0	SPEEDOMETER FLUSH MOUNT MONITORS BOAT SPEED (0-100 KM/H.)
-	F5H115		0	TILT LOCK FOR TRAILERING.
-	F5H127		0	POWER TRIM ADJUSTS ENGINE TRIM AND TILTS ENGINE.

CONTINUED ON NEXT PAGE ➡

ACCESSORIES

REF. NO.	PART NO.	SYM.	QTY.	DESCRIPTION
-	F5H132		0	REMOTE CONTROL HANDLE TRIM SWITCH HAS POWER TRIM CONTROL SWITCH IN HANDLE. REPLACES STANDARD CONTROL LEVER ON 5H130 CONTROL BOX.
-	F5H079		0	REMOTE CONTROL BOX FOR MOUNTING ON CONSOLE OF BOAT (CHROME).
-	F5H080		0	TWIN REMOTE CONTROL BOX FOR MOUNTING ON CONSOLE OF BOAT (CHROME).
-	F5H129		0	SHOCK ABSORBER KIT TO PROVIDE ENGINE WITH SHOCK ABSORPTION.
-	F5H044		0	TILT STOP KIT LIMITS TILTING ANGLE.
-	F5H123		0	HYDRAULIC TILT HYDRAULIC UNIT TO RAISE AND LOWER ENGINE THE LOWER UNIT WHEN BEACHING OR TRAILERING.
-	F5H076		0	SWITCH EXTENSION CABLE ALLOWS INSTALLATION OF IGNITION SWITCH IN 5H130 CONTROL BOX WITH 563 TERMINAL BLOCK.
-	F5H030		0	SWITCH KIT - RUNNING LIGHTS DASH MOUNTED TOGGLE SWITCH
-	F5H031		0	SWITCH KIT - SPOT LIGHT DASH MOUNTED TOGGLE SWITCH.
-	F5H032		0	SWITCH KIT - WIPER DASH MOUNTED TOGGLE SWITCH.
-	F5H034		0	SWITCH KIT - BILGE PUMP DASH MOUNTED TOGGLE SWITCH
-	F5H035		0	SWITCH KIT - HORN DASH MOUNTED TOGGLE SWITCH.
-	F5H036		0	SWITCH KIT - TACHOMETER TRANSFER DASH MOUNTED TOGGLE SWITCH FOR TACHOMETER IN DUAL ENGINE INSTALLATION.
-	F5H038		0	SWITCH KIT - IGNITION TO MOUNT IGNITION SWITCH ON DASH.
-	F5H039		0	SWITCH KIT - INSTRUMENT LIGHTS DASH MOUNTED TOGGLE SWITCH
-	F563		0	TERMINAL BLOCK KIT DOUBLE ROW 10 SECTION, TO SIMPLIFY ACCESSORY INSTALLATION.
-	479		0	UNIMOUNT UNDER DASH MOUNT FOR INDICATOR LAMPS AND IGNITION SWITCH.
-	F5H075		0	WIRING HARNESS - IGNITION SWITCH (24") CHRYSLER OUTBOARD OIL SEE BLOCK COMMENT 1.
-			0	CHRYSLER OUTBOARD GEAR LUBE SEE BLOCK COMMENT 2.
-			0	CHRYSLER OUTBOARD FUEL AID REMOVES MOISTURE, PREVENTS SLUDGE AND VARNISH AND STABILIZES GAS. AVAILABLE IN 16 OZ. CANS AND 12 CAN CASES.
-			0	CHRYSLER OUTBOARD STORAGE LUBRICANT WORKS AS A CORROSION INHIBITOR AND PROTECTS INTERNAL ENGINE PARTS DURING STORAGE. AVAILABLE IN 16 OZ. CANS AND 12 CAN CASES.
-			0	CHRYSLER OUTBOARD MULTI-PURPOSE SPRAY LUBE WORKS AS A LUBRICANT, CLEANER, MOISTURE REMOVER AND ELECTRIC INSULATOR. AVAILABLE IN 9 OZ. CANS AND 12 CAN CASES.

CONTINUED ON NEXT PAGE ➡

ACCESSORIES

REF. NO.	PART NO.	SYM.	QTY.	DESCRIPTION
-			0	CHRYSLER OUTBOARD MULTI-PURPOSE GREASE LUBRICATES BEARINGS AND OTHER MOVING PARTS. AVAILABLE IN 8 OZ. TUBES AND 12 TUBE CASES.
-			0	CHRYSLER OUTBOARD GREASE GUN USED WITH CHRYSLER OUTBOARD MULTI-PURPOSE GREASE TUBES FOR PRESSURE FITTINGS.
-			0	CHRYSLER OUTBOARD MULTI-PURPOSE CLEANER

PARTS INDEX

Part Number	Description	Pg.	Ref. No.	Part Number	Description	Pg.	Ref. No.
ÄF58356//	REMOTE CONTROL CABLE (SPECIFY LENGTH)	43	4	F1187	HEX HD SCREW, 1/4 - 20 X 1	23	35
15169	FRAME AND FIELD ASSEMBLY	11	9	F1199	HEX CAP SCREW, 1/4 - 20 X 1	23	44
168	CONTROL PANEL	52	-	F1203	HEX BOLT, 1/4 - 20 X 7/8 . .	23	6
3C550944	COVER, ENGINE COMPLETE	3	-	F1236	HEX HD SCREW, 1/4 - 20 X 1/2	21	91
478	IGNITION LAMP KIT	52	-	F1238	CAPSCREW, HEX, 1/4 - 20 X 3/4	3	10
479	HEAT LAMP KIT	52	-	F1238	HEX HD SCREW, 1/4 - 20 X 3/4	23	43
479	UNIMOUNT	53	-	F1263	HEX SOCKET HD CAP SCREW 5/16 - 18 X 9/16 .	31	14
480373	DECAL, MAGNAPOWER IGNITION	9	56	F1280	PAN HD SCREW, 8 - 32 X 1/4	7	33
481373-1	DECAL, "ELECTRONIC" (NOT SHOWN)	15	-	F1280	PAN HD SCREW, 8 - 32 X 1/4 (TERMINAL BOARD) (NOT SHOWN)	45	-
5H047	CANVAS HOOD	52	-	F1286	PAN HD SCREW, 4 - 40 X 3/16	23	31
5H051	BATTERY, 74 AMP	52	-	F1341	HEX NUT, 1/4 - 20	23	13
5H082	REMOTE ELECTRIC CABLE	52	-	F1346	HEX NUT 3/8 - 16	31	21
5H111	INSTRUMENT ADAPTER - "2"	52	-	F1347	HEX NUT, 3/8 - 16	27	95
71H06	AMMETER FLUSH MOUNT .	51	-	F14006-2	CAP BASE	13	37
71H25	CHARGE INDICATOR LAMP	52	-	F14007	CAP SCREW	13	33
817747--1	BALL JOINT W/STUD	17	28	F14011-1	CAP COVER	13	34
817747--1	BALL JOINT W/STUD	23	9	F14012-1	BRUSH	13	39
817783A5	SWIVEL BRACKET W/BEARING AND GREASE FITTINGS	33	49	F14015	CAP CLIP RIVET	13	21
817786A1	DISTRIBUTOR PULLEY	13	3	F14017	TERMINAL INSULATOR (OUTSIDE)	15	46
817787A1	CYLINDER DRAIN COVER .	23	33	F14020-1	CAP SEAL	13	36
817788A3	SPACER PLATE W/PLUGS .	25	63	F14024	SPACER	15	42
817822A1	DISTRIBUTOR	15	-	F14025	SPACER	13	4
817892--1	IGNITION SWITCH PLATE - CANADA (NOT SHOWN) .	9	-	F14028	THRUST WASHER	13	5
817931A7	MOTOR LEG COVER REAR	31	7	F14029	THRUST WASHER	13	7
817959A3	INTAKE MANIFOLD	17	23	F14030	CAP GASKET	13	38
85872-1	BRACKET	25	49	F14036	SWIVEL	13	13
865	DUAL-SINGLE LEVER CONTROL BOX (SURFACE MOUNT)	51	-	F14037	CAP CLIPS	13	14
89396A38	PRIME BULB	41	9	F14038	CAP CLIP SCREWS	13	15
A532706	GEAR HOUSING COVER W/SEALS	37	53	F14040	VENT	13	35
A553391	DECAL, LEG - STARBOARD	31	-	F14041	EXTERNAL TOOTH LOCKWASHER	13	23
A553392	DECAL, LEG - PORT	31	1	F14042	DISTRIBUTOR HOUSING W/BEARINGS	13	12
A85135-3	LEG COVER, FRONT	33	66	F14043	DISTRIBUTOR SHAFT	13	40
F10000	GASKET SET (NOT SHOWN)	21	-	F14045	SCREW	13	16
F1009	HEX BOLT, 3/8 - 16 X 2 3/4 .	27	97	F14046	TERMINAL SCREW	13	19
F10102	REPAIRS PART KIT	21	104	F14047	TERMINAL INSULATOR (INSIDE)	13	20
F1014	COTTER PIN	21	84	F14049	TERMINAL INSULATOR (OUTSIDE)	13	22
F1014	COTTER PIN	33	56	F14056	SCREW	15	47
F1015	COTTER PIN	37	47	F1425	HEX CAP SCREW, 1/4 - 20 X 2 5/8	37	63
F1059	FILL HD SCREW, S.S., 6 - 32 X 1/4	19	80	F1447	SCREW, RD HD, 2 X 3/16 . .	3	15
F1064	FILL HD SCREW, S.S., 8 - 32 X 3/8	19	45	F1473	NUT HEX, 10 - 24	3	32
F1072	FILL HD SCREW, 1/4 - 20 X 1 3/4	19	59	F1475	FILL HD SCREW, 10 - 24 X 1/2	23	11
F1099	FILL HD SCREW, 1/4 - 20 X 1 1/4	27	100	F1491	HEX CAP SCREW, 5/16 - 18 X 3 1/4	37	41
F1108	FILL HD SCREW W/LOCKWASHER, 1/4 - 20 X 3/4	17	2	F1502	HEX CAP SCREW, 1/4 - 20 X 5/8	21	97

PARTS INDEX

Part Number	Description	Pg.	Ref. No.	Part Number	Description	Pg.	Ref. No.
F1502	HEX HD SCREW, 1/4 - 20 X 5/8	11	14	F1692	WOODRUFF KEY	13	41
F1502	HEX HD SCREW, 1/4 - 20 X 5/8	23	39	F1693	TIE BAR RETAINER	19	46
F1502	SCREW, HEX SLOT HD, 1/4 - 20 X 5/8	3	16	F1696	HEX BOLT 5/16 - 18 X 1 3/4	31	33
F15034	SPRING SET	11	17	F17006	DETENT SPRING	43	18
F1504	FILL HD SCREW, 1/4 - 20 X 1/4	19	56	F17009	BEARING	43	14
F1504	FILL HD SCREW, 1/4 - 20 X 1/4	23	12	F17010-1	THROTTLE GEAR	43	16
F15057	BRUSH PLATE AND HOLDER	11	18	F17011	BOWED WASHER	43	15
F15080	SPRING	11	3	F17012	RETAINING PLATE	43	13
F15099	ARMATURE	11	8	F17013	FILL HD SCREW, 1/4 - 20 X 1/2	43	11
F15100	BENDIX	11	20	F17014	THROTTLE ARM	43	10
F15110	CLUTCH ASSEMBLY	11	4	F17016	CABLE TERMINAL	43	9
F15111	NUT, STOP RETAINING	11	1	F17019	CLUTCH ARM	43	5
F15112	STOP, PINION	11	2	F17021	CLUTCH GEAR	43	19
F15125	HEAD ASSEMBLY, COMMUTATOR END	11	16	F17026	SWIVEL	43	24
F15126	THRUST WASHER PACKAGE	11	7	F1703	SPRING LOCKWASHER	25	62
F1513	HEX NUT	7	18	F1703	SPRING LOCKWASHER	33	65
F1513	HEX NUT	43	3	F17030-1	SET SCREW	43	31
F1513	HEX NUT, 10 - 32	17	29	F17031-1	SNAP CAP	43	28
F1513	HEX NUT, 10 - 32	23	7	F17036	INTERNAL TOOTH LOCKWASHER	43	6
F1515	HEX NUT	7	24	F1704	INTERNAL TOOTH LOCKWASHER	21	99
F1515	HEX NUT, 5/16 - 18	17	37	F1705	HEX CAP SCREW, 1/4 - 20 X 3/4	7	23
F15165	BRUSH TERMINAL SET	11	10	F1705	HEX CAP SCREW, 1/4 - 20 X 3/4	35	1
F15167	HEAD ASSEMBLY DRIVE END	11	5	F17068	DETENT SPRING	45	37
F15168	THRU BOLT PACKAGE	11	12	F17071	FILL HD SCREW, 10 - 24 X 5/16	43	22
F1528	WELCH PLUG	31	22	F17082-1	DETENT BALL	45	38
F154317	CABLE CLAMP	43	23	F1709	HEX HD SCREW, 1/4 - 20 X 1/8	25	76
F1556	FILL HD SCREW W/LOCKWASHER, 10 - 24 X 3/8	23	14	F17092	SNAP RING	43	21
F1557	FLAT HD SCREW, 10 - 24 X 3/8	43	25	F17099-1	HOUSING	43	36
F1577	FILL HD SCREW, 1/4 - 20 X 3/4	35	20	F17100	CLUTCH SHAFT	43	20
F1593	HEX HD SCREW 3/8 - 16 X 3	31	18	F17103-1	BAG ASSEMBLY (NOT SHOWN)	45	-
F1612	HEX CAP SCREW, 3/8 - 16 X 1 1/4	13	8	F17105	FELT WASHER	43	33
F1641	LOCK NUT, 1/4 - 28	11	6	F17106	COLLAR	43	34
F1645	RD HD SCREW, 6 - 32 X 1/4	9	51	F17111	DETENT BALL	43	17
F1645	RD HD SCREW, 6 - 32 X 1/4	21	100	F17112	JUNCTION BOARD, STARBOARD	43	26
F1647	HEX NUT, 10 - 32	25	86	F17113	JUNCTION BOARD, PORT	43	-
F1647	HEX NUT, 8 - 32	7	6	F17115-1	HANDLE	43	30
F1647	HEX NUT, 8 - 32	13	24	F17116	KNOB	43	29
F1648	PAN HD SCREW, 10 - 24 X 3/4	7	16	F1713	SPRING PIN	35	26
F1664	SPRING PIN	31	8	F17146	WOOD SCREW	43	35
F1666	BOWED SPRING WASHER	33	71	F17147	INTERNAL TOOTH LOCKWASHER	43	12
F1669	LOCK NUT	31	36	F17148	DECAL, STARBOARD	43	27
F1678	FILL HD SCREW, 10 - 24 X 13/16	7	2	F17149	COTTER PIN	43	8
F1689	HEX HD CAP SCREW, 1/4 - 20 X 1/2	9	42	F1715	HEX BOLT, 1/4 - 28 X 9/16	43	7
				F1727	PLASTIC RIVET	23	16
				F1729	PLUG	31	5
				F1730	SCREW, PAN HD, W/LOCKWASHER 1/4 - 20 X 1 3/8	3	37
				F1733	SCREW, PAN HEAD, 10 - 24 X 9/16	3	2

PARTS INDEX

Part Number	Description	Pg.	Ref. No.	Part Number	Description	Pg.	Ref. No.
F1734	FILL HD SCREW W/LOCKWASHER, 1/4 - 20 X 1/2	7	14	F1869	HEX BOLT, 3/8 - 16 X 1 1/4	25	61
F1741	PAN HD SCREW, 8 X 3/4	7	35	F1871	HEX HD SCREW 3/8 - 16 X 3/4	33	61
F1744	SPRING PIN	31	40	F1872	HEX BOLT, 3/8 - 16 X 1 3/4	27	99
F1744	SPRING PIN	33	45	F1873	HEX BOLT, 3/8 - 16 X 3	27	96
F1755	RD HD SCREW W/LOCKWASHER, 6 - 32 X 5/16	17	16	F1877	TY-RAP	7	29
F1759	SHIM, DISTRIBUTOR (QTY. AS REQUIRED)	13	11	F1883	HEX BOLT, 5/16 - 18 X 2 3/8	25	67
F1760	PAN HD SCREW, 10 - 24 X 3/8	7	19	F1885	HEX BOLT, 5/16 - 18 X 4 1/4	25	55
F1760	PAN HD SCREW, 10 - 24 X 3/8	13	25	F1885	HEX CAP SCREW, 5/16 - 18 X 4 1/4	35	6
F1760	PAN HD SCREW, 10 - 24 X 3/8	19	60	F1892	STOP NUT	9	52
F1760	PAN HD SCREW, 10 - 24 X 3/8	23	2	F1904	PLAIN WASHER	31	20
F1773	HEX HD SCREW, 1/4 - 20 X 1 1/2	17	26	F1907	PLAIN WASHER	35	7
F177330	FUEL PUMP VALVE	17	9	F1910	STOP NUT, 1/4 - 20	17	31
F177350	REVERSE LOCK PIN	31	41	F19109	PLUG	25	73
F1778	PLAIN WASHER	13	9	F19109	PLUG, GEAR HOUSING	37	31
F178323	SEAL, MOTOR LEG	31	13	F1912	HEX HD SCREW 10 - 24 X 1/2	33	59
F1788	STOP NUT	35	15	F1916	HEX HD SCREW, 1/4 - 20 X 1 1/8	17	25
F17932	SEAL, FUEL TANK ADAPTER	41	12	F1934	FLAT HD SLOTTED SCREW, 6 X 1/2	9	50
F18160-2	REED	23	28	F1936	SPACER, BEVEL GEAR FRONT .059	35	28
F1822	HEX BOLT 5/16 - 18 X 7/8	33	69	F1937	SPACER, BEVEL GEAR FRONT .062	35	-
F1832	STOP NUT, 1/4 - 20	25	59	F1938	SPACER, BEVEL GEAR FRONT .065	35	-
F1836	SPRING PIN	33	57	F1939	SPACER, BEVEL GEAR FRONT .068	35	-
F184033-1	CHOKE ARM SWIVEL	21	85	F1940	SPACER, BEVEL GEAR FRONT .071	35	-
F184579	SEAL, CHOKE ARM SWIVEL	19	82	F1941	SPACER, BEVEL GEAR FRONT .074	35	-
F1849	CAPSCREW, HEX HD 1/4 - 20 X 1 3/8	5	40	F1942	SPACER, BEVEL GEAR FRONT .077	35	-
F1849	HEX HD SCREW, 1/4 - 20 X 1 3/8	25	77	F195/_	REMOTE CONTROL CABLES	51	-
F1851	FILL HD SCREW W/LOCKWASHER, 10 - 24 X 1/2	7	39	F1950	HEX HD SCREW, 10 - 24 X 5/8	25	81
F1854	CAPSCREW, HEX - 1/4 - 20 X 5/8	3	21	F1953	HEX HD SCREW, 1/4 - 20 X 1	21	94
F1856	PLAIN WASHER	39	72	F1968	FLYWHEEL NUT	29	21
F1857	CAPSCREW, HEX - 5/16 - 18 X 5/8	3	19	F1975	SPRING LOCKWASHER	7	10
F1857	CAPSCREW, HEX - 5/16 - 18 X 5/8	3	31	F1975	SPRING LOCKWASHER	13	26
F1858	CAPSCREW HEX 5/16 - 18 X 1	3	20	F197787-3	FUEL LINE COUPLER	41	6
F1858	HEX CAP SCREW, 5/16 - 18 X 1	37	39	F197813	BEARING	33	54
F1860	SLOTTED BINDING HD SCREW, 6 - 32 X 1/4	17	1	F1987	PLAIN WASHER	25	66
F1864	HEX HD SCREW, 1/4 - 20 X 3/4	27	90	F1987	PLAIN WASHER	33	50
F1864	HEX SLOT HD SCREW 1/4 - 20 X 3/4	31	4	F1990	HEX CAP SCREW, 1/4 - 20 X 1 5/8	37	61
F1866	PLAIN WASHER	35	16	F1994	HEX SOCKET HD CAP SCREW, 5/16 - 18 X 1	37	37
F1867	HEX CAP SCREW, 3/8 - 16 X 1	29	19	F1997	STOP NUT, 8 - 32	17	40
				F1999	HEX CAP SCREW, 1/4 - 20 X 7/8	23	42
				F1999	HEX CAP SCREW, 1/4 - 20 X 7/8	37	55
				F2000	HEX CAP SCREW, 5/16 - 18 X 3/4	9	47
				F2001	FILL HD SCREW, 10 - 24 X 5/8	7	9

PARTS INDEX

Part Number	Description	Pg.	Ref. No.	Part Number	Description	Pg.	Ref. No.
F2008	HEX HD SCREW, 1/4 - 20 X 7/8	17	24	F2A523239	SPOOL, PROPELLER SHAFT BEARING W/SEALS	35	11
F2015	HEX NUT, 1/4 - 28	23	19	F307317	CLIP, TERMINAL BLOCK	7	17
F2016	FILL HD SCREW, 6 - 32 X 7/8	21	101	F316555	GEAR HOUSING SEAL	27	-
F2030	HEX HD SCREW 1/4 - 20 X 1 1/4	33	70	F316579	SEAL, CRANKCASE	29	11
F203276	BOOT	13	30	F316599	SEAL, STEERING SUPPORT TUBE	33	79
F2033	GROOVE PIN	21	87	F319908	WIRE, GROUND, CANADA	9	55
F203673	TERMINAL CLIP	13	31	F321756	PACKING	3	27
F2042	PLAIN WASHER	23	5	F321841-3	LEAD WIRE	13	32
F2042	PLAIN WASHER	27	105	F333316	THROTTLE ROLLER SHAFT	19	49
F2047	WASHER, WAVE	3	26	F335215	SPACER, PISTON PIN (2 PER PISTON)	29	3
F2066	SCREW, PAN HD, SELF TAPPING 10 X 7/16	3	34	F335217-1	BEARING PISTON PIN (26 PER SET)	29	5
F2067	PLASTISOL CAP (NOT SHOWN)	29	-	F335654-1	STOP, DEFLECTION	3	17
F2088	FASTENER	5	39	F338618-1	GEAR SHIFT ROD SEAL	39	-
F2089	SLOTTED PAN HD MACHINE SCREW, 10 - 24 X 5/16	27	101	F338618-1	SEAL, GEAR SHIFT ROD	31	16
F2090	PLUG	25	64	F338618-1	SEAL, GEAR SHIFT ROD	37	56
F2108	LOCK NUT 5/16 - 18	33	73	F345475-1	COIL	9	44
F2108	STOP NUT, 5/16 - 18	25	58	F345683	WIRE, REGULATOR - RECTIFIER GROUND	7	5
F2113	SPACER, BEVEL GEAR FRONT .080	35	-	F351307	SEAL, WATER PUMP	37	64
F2114	SPACER, BEVEL GEAR FRONT .083	35	-	F353480	STUD	31	25
F2115	SPACER, BEVEL GEAR FRONT .086	35	-	F369349	REVERSE LOCK	31	37
F2116	SPACER, BEVEL GEAR FRONT .089	35	-	F369364	REVERSE LOCK ARM	33	52
F2121	SPACER, BEVEL GEAR FRONT .057	35	-	F369510	LINK	31	39
F2122	SPACER, BEVEL GEAR FRONT .054	35	-	F369529	CYLINDER HEAD GASKET	25	74
F213274	GREASE FITTING	13	27	F369529	CYLINDER HEAD GASKET	27	-
F213274	GREASE FITTING	31	32	F369610	BEARING	25	53
F213342	SEAL, FUEL LINE COUPLER (LARGE)	41	4	F369827	HANDLE AND SHAFT	33	53
F213735	SEAL, FUEL LINE COUPLER (SMALL)	41	5	F369887	SHOULDER SCREW	25	52
F235785	DECAL, COMPLIANCE - CANADA (NOT SHOWN)	9	-	F369977-1	INTERLOCK ARM	25	54
F24278	PROPELLER SHAFT SPOOL SEAL	39	-	F373778-1	RETAINER, ENGINE COVER	3	33
F24278	SEAL, "O" RING PROPELLER SHAFT SPOOL	35	10	F381896-4	BATTERY CABLE	7	30
F269319	BEARING	17	32	F391926-1	CHOKE SOLENOID PLUNGER	21	89
F284659-2	CRANKSHAFT THRUST BEARING UPPER	29	22	F391983	RETAINING BAND	7	27
F286461	SPRING, LOCK BAR HANDLE	33	43	F3A523158	REED PLATE W/REEDS, REED STOP AND SCREW	17	19
F289446-1	CLAMP	7	12	F40209	CARBURETOR STUD	17	36
F298788	FERRULE	41	7	F40223	GASKET, TRANSFER PORT COVER	23	41
F2A404757	CYLNDR DRAIN REED PLATE W/REEDS, STOPS, METERING CUP & SCREW	23	27	F40223	TRANSFER PORT COVER GASKET	27	-
F2A498023	BEVEL GEAR FRONT W/BEARING	35	29	F404097	FLYWHEEL	7	1
				F404268	SPRING, BY-PASS VALVE	25	84
				F404470-1	REGULATOR - RECTIFIER	7	8
				F404513	COIL CLAMP	7	40
				F404801	FITTING	23	36
				F404841	CABLE, HEAT INDICATOR	7	37
				F40689-1	BEARING, TOWERSHAFT	25	60
				F407446	CLAMP	7	31
				F409251-1	GAUGE CAP	41	1
				F433114	HANDLE, LOCK BAR	33	44
				F433209-1	STUD	17	30
				F433253	HOSE	23	37
				F438066	BY-PASS VALVE COVER	25	82
				F438129	SEAL, DRIVESHAFT SPLINE	39	71
				F438165	SCREW, FUEL PUMP BOWL	17	15

PARTS INDEX

Part Number	Description	Pg.	Ref. No.	Part Number	Description	Pg.	Ref. No.
F438169	BEARING	31	34	F50342-1	BEARING CAGE BOLT SEAL	39	-
F438271	RETAINER, CRANKSHAFT SPLINE SEAL	39	70	F50342-1	SEAL, BEARING CAGE BOLTS	35	8
F438346	SHOCK MOUNT, LOWER	33	67	F506118	PROPELLER SHAFT SEAL	39	-
F438398	DECAL, WIRING - U.S.A.	25	75	F506118	SEAL, PROPELLER SHAFT	35	9
F438500	FUEL SEDIMENT BOWL	17	14	F510374	DECAL, CIRCUIT BREAKER - U.S.A.	7	41
F438617	FUEL SEDIMENT BOWL GASKET	17	13	F510460	CIRCUIT BREAKER	7	22
F438653	FUEL SEDIMENT BOWL SCREEN	17	12	F511125-2	TUBE, STEERING SUPPORT	31	23
F438668	RETAINER, CABLE CLAMP	7	13	F511675	STARTER BRACKET, LOWER	11	15
F438744-1	WIRING HARNESS	7	4	F523031	GASKET, WATER PUMP	37	57
F438747	FUEL PUMP DIAPHRAGM	17	7	F523057	BEARING, DRIVESHAFT LOWER	37	66
F438754	FUEL LINE	19	79	F523065	WATER PUMP IMPELLER	37	59
F438760	FUEL PUMP GASKET	17	8	F523094-2	PROPELLER NUT	35	13
F438801	FITTING	17	5	F523099-1	SPACER, PROPELLER	35	19
F438841-1	LEAD WIRE, CANADA	13	-	F523116	EXHAUST SNOOT	37	38
F438905	COIL WIRE - CANADA	13	-	F523133-2	MOTOR LEG	33	75
F438930	RETAINER, SNOOT	37	36	F523146	SEAL, LOWER	29	13
F438962	SHOCK MOUNT SIDE	31	15	F523188	NUT, BEVEL PINION RETAINING	37	34
F439736	SEAL EXHAUST TUBE	31	6	F523244	INLET WATER LINE	35	5
F460917	STARTER RELAY	7	26	F523274	GREASE FITTING	33	78
F474073-1	CLAMP SCREW	31	26	F523280	NUT, STEERING SUPPORT TUBE	33	77
F474387	TIMING DECAL - U.S.A.	9	57	F523299-1	WASHER, PROPELLER SPLINE	35	17
F474390-1	DECAL, REVERSE LOCK - U.S.A.	33	80	F523411	RETAINING RING	35	23
F476066-1	COVER, THERMOSTAT	25	47	F523451	SPACER, REED STOP	21	103
F476067	GASKET, THERMOSTAT COVER	27	94	F523498	DRIVE KEY, WATER PUMP	37	68
F476067	THERMOSTAT COVER GASKET	27	-	F523555	GEAR HOUSING COVER SEAL	39	-
F480038-2	PLATE, SUPPORT	3	11	F523555	SEAL, "O" RING - GEAR HOUSING COVER	37	49
F480107-1	CAM, STARTER INTERLOCK	27	102	F523562	WATER PUMP BACK PLATE	37	58
F480388	DISC, WATER PUMP LOCATING	37	62	F523705	GEAR SHIFT ROD LOWER	37	46
F480518	CYLINDER HEAD	25	72	F523813	BEARING CUP	35	30
F480551-1	BRACKET INTERLOCK SWITCH	21	95	F523834	CLIP, SPARK PLUG WIRE	23	3
F480818	BEARING, LATCH SHAFT	3	9	F523899	GROMMET, WATER LINE	35	4
F481061-2	CARBURETOR COMPLETE (WB21C)	19	72	F523961	CRUSH RING	37	50
F481382-1	SPACER, LATCH SHAFT	3	25	F523962	SHOCK MOUNT	9	46
F481434	GUIDE, ENGINE COVER	5	38	F528068	THERMOSTAT	25	70
F481567	CARBURETOR INTAKE ADAPTER	19	55	F530160	REED (5 PETAL)	17	18
F481774	BRACKET, ENGINE COVER LATCH	3	28	F531892	DECAL PORT	43	-
F481777	CAM, LATCH SHAFT	3	24	F53504	GROMMET	19	58
F481836	INTAKE GASKET	19	70	F545189	BUSHING, CABLE ENTRY	3	13
F481836	INTAKE GASKET	27	-	F548984	BLANKET, SILENCER, TOP (NOT SHOWN)	5	-
F481860-1	CARBURETOR, INTAKE	19	57	F548985	BLANKET, SILENCER, SIDE (NOT SHOWN)	5	-
F483884	BEARING	33	58	F549189	BUSHING, ELECTRIC CABLE	3	12
F485755-1	FUEL TANK ADAPTER	41	3	F563	TERMINAL BLOCK KIT	53	-
F498618	"O" RING	37	33	F58685-2	CONNECTOR, SHIFT CABLE	43	2
F498618	GEAR SHIFT ARM PIN SEAL	39	-	F590	REMOTE CONTROL HEAD (SINGLE LEVER) (FLUSH MOUNT)	51	-
F498891	PIN, GEAR SHIFT ARM	37	32	F5H002	SPEEDOMETER FLUSH MOUNT	52	-
F498891	PIN, PROPELLER NUT RETAINING	35	14				
F499995	CYLINDER HEAD COVER	25	68				
F50109	PLUG, GEAR HOUSING	37	44				

PARTS INDEX

Part Number	Description	Pg.	Ref. No.	Part Number	Description	Pg.	Ref. No.
F5H004	SPEEDOMETER FLUSH MOUNT	52	-	F5H079	REMOTE CONTROL BOX	53	-
F5H005	TEMPERATURE GAUGE FLUSH MOUNT	52	-	F5H080	TWIN REMOTE CONTROL BOX	53	-
F5H006	VOLTMETER - FLUSH MOUNT	52	-	F5H081	BATTERY CABLE	51	-
F5H007	HOURMETER - FLUSH MOUNT	52	-	F5H094	STEERING LINK KIT	51	-
F5H008	FUEL GAUGE FLUSH MOUNT	52	-	F5H108	STEERING CONNECTOR	51	-
F5H010	POWER TRIM INDICATOR - FLUSH MOUNT	51	-	F5H112	INSTRUMENT ADAPTER - "3 1/2"	52	-
F5H012	TACHOMETER FLUSH MOUNT	52	-	F5H115	TILT LOCK	52	-
F5H014	FLUSHING ADAPTER	51	-	F5H119	PROPELLER SPACER - FLARED	51	-
F5H018	DUAL ENGINE TIE BAR	51	-	F5H120	REMOTE CONTROL BACK PLATE	51	-
F5H019	ANTI-CORROSION KIT	51	-	F5H123	HYDRAULIC TILT	53	-
F5H021	EXTENSION CABLE	52	-	F5H127	POWER TRIM	52	-
F5H025	ANTI-CORROSION SACRIFICIAL ANODE	51	-	F5H129	SHOCK ABSORBER KIT	53	-
F5H026	FUEL TANK (ACCESSORY ITEM)	41	2	F5H130	REMOTE CONTROL BOX (SINGLE LEVER)	51	-
F5H026	STEEL, 6 GALLON FUEL TANK (LOW PROFILE)	51	-	F5H131	PORT SIDE DECAL KIT	51	-
F5H028	SENDING UNIT	52	-	F5H132	REMOTE CONTROL HANDLE TRIM SWITCH	53	-
F5H029	TANK ANCHOR	51	-	F5H134	BOAT WHITE LACQUER	51	-
F5H030	SWITCH KIT - RUNNING LIGHTS	53	-	F5H135	SAND TAN LACQUER	51	-
F5H031	SWITCH KIT - SPOT LIGHT	53	-	F63754	HOSE INTAKE DRAIN	19	63
F5H032	SWITCH KIT - WIPER	53	-	F7004	STOP NUT, 3/18 - 16	23	24
F5H034	SWITCH KIT - BILGE PUMP	53	-	F7012	LOCK NUT, 1/2 - 20	31	17
F5H035	SWITCH KIT - HORN	53	-	F7013	STOP NUT	13	2
F5H036	SWITCH KIT - TACHOMETER TRANSFER	53	-	F74305	GEAR HOUSING COVER SEAL	39	-
F5H037	CIGAR LIGHTER	52	-	F74305	SEAL, DRIVESHAFT BEARING CAGE	37	51
F5H038	IGNITION SWITCH MOUNTING KIT (ACCESSORY ITEM)	9	49	F762	REMOTE ELECTRIC CABLE	52	-
F5H038	SWITCH KIT - IGNITION	53	-	F8003	PLAIN WASHER	23	30
F5H039	SWITCH KIT - INSTRUMENT LIGHTS	53	-	F8011	PLAIN WASHER	7	20
F5H040	STEEL, 12 GALLON FUEL TANK	51	-	F8028	PLAIN WASHER	11	13
F5H041	BATTERY TERMINAL KIT	52	-	F8038	PLAIN WASHER	27	103
F5H041	BATTERY TERMINAL KIT, (ACCY. ITEM)	7	32	F8039	PLAIN WASHER	33	62
F5H043	OVERHEAT BUZZER	51	-	F8056	LOCKWASHER	13	18
F5H043	OVERHEAT BUZZER (ACCESSORY ITEM)	7	36	F8056	LOCKWASHER	15	43
F5H044	TILT STOP KIT	53	-	F8056	SPRING LOCKWASHER	7	7
F5H068	RFI SUPPRESSION KIT	51	-	F8056	SPRING LOCKWASHER	25	87
F5H070	REMOTE ELECTRIC CABLE	52	-	F8058	INTERNAL TOOTH LOCKWASHER	17	27
F5H075	WIRING HARNESS - IGNITION SWITCH (24") CHRYSLER OUTBOARD OIL	53	-	F8058	INTERNAL TOOTH LOCKWASHER	25	48
F5H076	SWITCH EXTENSION CABLE	53	-	F8077	WASHER	39	-
F5H077	IGNITION KEY SWITCH	52	-	F8077	WASHER, GEAR HOUSING PLUG	37	43
F5H078	IGNITION KEY SWITCH	52	-	F8083	LOCKWASHER	3	22
				F8083	SPRING LOCKWASHER	9	43
				F8083	SPRING LOCKWASHER	31	3
				F8083	SPRING LOCKWASHER	37	54
				F8088	PLAIN WASHER	21	102
				F8088	PLAIN WASHER	21	83
				F8094	PLAIN WASHER	33	55
				F8094	WASHER, PLAIN	3	23
				F8095	PLAIN WASHER	27	104
				F8096	LOCKWASHER	3	18
				F8096	LOCKWASHER	3	30

PARTS INDEX

Part Number	Description	Pg.	Ref. No.	Part Number	Description	Pg.	Ref. No.
F8096	SPRING LOCKWASHER . . .	7	25	F85211	STUD, REAR	23	46
F8096	SPRING LOCKWASHER . . .	33	68	F85253-1	FUEL LINE	21	88
F8096	SPRING LOCKWASHER . . .	37	40	F85258	INSERT	31	10
F84011	WASHER	33	51	F85279-2	CYLINDER EXHAUST GASKET, UPPER	25	51
F84031	WATER PUMP GASKET . . .	27	-	F85279-2	CYLINDER, EXHAUST - UPPER GASKET	27	-
F84074	CLAMP SCREW FOOT	31	24	F85300	REVERSE LOCK SPRING . .	31	38
F84146-2	SEAL	29	20	F85311	DISTRIBUTOR BELT	13	1
F84278	CRANKSHAFT BRG. SEAL CAGE SEAL	27	-	F85314-1	FUEL FITTING	21	92
F84278	SEAL, CRANKSHAFT BEARING CAGE	29	17	F85317-1	CLAMP	21	90
F84286-1	FRICTION WASHER	33	47	F85350-1	TILT STOP PIVOT	31	29
F84305	PROPELLER SHAFT SPOOL SEAL	39	-	F85372	PIN, GEAR SHIFT ROD LOWER	37	48
F84305	SEAL, PROPELLER SHAFT BEARING SPOOL	35	12	F8538	SPRING PIN	31	27
F84307-1	DRIVE SHAFT SEAL	39	-	F85380	SPRING	31	11
F84307-1	SEAL, DRIVESHAFT	37	52	F85410	SNAP RING	29	8
F84314-2	ELBOW	17	3	F85426	TILT STOP	33	48
F84314-2	ELBOW	23	22	F85445	DISTRIBUTOR CONTROL ROD	23	18
F84342	SEAL, INLET WATER LINE UPPER	35	3	F85453-1	CYLINDER, EXHAUST - LOWER GASKET	27	-
F84449	INTERLOCK SWITCH	21	98	F85472-2	CYLINDER DRAIN COVER GASKET	27	-
F84504	GROMMET	25	71	F85472-2	GASKET, CYLINDER DRAIN COVER	23	32
F84504	THERMOSTAT GROMMET . .	27	-	F85498	FLYWHEEL KEY	29	16
F84521-1	CLUTCH	35	27	F85502	THROTTLE LINK	23	8
F84792	GASKET, FUEL PUMP VALVE	17	10	F85509-1	CHOKE LINK	19	78
F84871-1	PIN, GEAR SHIFT	35	25	F85541-1	TILT LOCK	31	30
F85017	PISTON PIN	29	4	F85571	BEARING CAGE W/ROLLER	29	10
F85026	SWIVEL	23	21	F85606	KINGPIN CAP	31	31
F85033	CHOKE ROD SWIVEL	19	81	F85610	BEARING	25	56
F85035	DISTRIBUTOR CONTROL ROD END	23	20	F85615	GEAR SHIFT ROD UPPER . .	33	72
F85036	TOWERSHAFT CONTROL ROD END	23	17	F8563	DOWEL PIN	27	92
F85037-1	STERN BRACKET PIVOT BOLT	33	46	F85634-2	CONNECTING ROD SCREW	29	14
F85095-2	STATOR	7	3	F85660-1	EXHAUST TUBE	31	2
F85117	BRACKET, WATER LINE . . .	35	2	F85664	DISTRIBUTOR GROUND WIRE	13	28
F85122	CRANKCASE SEAL	27	-	F85664	WIRE DISTRIBUTOR GROUND	9	53
F85122	PARTING LINE SEAL	27	93	F85704	COUPLER, GEARSHIFT ROD UPPER	33	76
F85130	BOOT, IDLE EXHAUST	31	9	F85748-2	CYLINDER DRAIN REED PLATE GASKET	27	-
F85151-1	EXHAUST PORT PLATE . . .	25	80	F85748-2	GASKET, CYLINDER DRAIN REED PLATE	23	25
F85152-4	EXHAUST PORT COVER . . .	25	78	F85762	BY-PASS VALVE GASKET . .	27	-
F85154-1	EXHAUST PORT PLATE GASKET	27	-	F85762	GASKET, BY-PASS	25	83
F85154-1	GASKET, EXHAUST PORT PLATE	25	79	F85772	CLAMP	31	12
F85159	GASKET, INTAKE MANIFOLD	17	22	F85779-1	BAFFLE, AIR INTAKE	33	60
F85159	MANIFOLD GASKET	27	-	F85836-1	INTAKE GASKET	27	-
F85161-1	REED STOP	17	17	F85843-1	REMOTE ELECTRIC CABLE, 18 FEET	7	38
F85162	REED PLATE ADAPTER . . .	17	21	F85859	STUD, FORWARD	23	23
F85168	CARBURETOR ADAPTER FLANGE GASKET	27	-	F85906	CARBURETOR GASKET . . .	17	35
F85168	GASKET REED PLATE ADAPTER	17	20	F85906	CARBURETOR GASKET . . .	27	-
F85173	RETAINING RING	13	6	F85908	STARTER LEAD WIRE	11	19
F85192-1	THROTTLE CAM	17	33	F85916-1	BY-PASS VALVE	25	85
F85210	STUD	27	91	F85924	CHOKE SOLENOID	7	28

PARTS INDEX

Part Number	Description	Pg.	Ref. No.	Part Number	Description	Pg.	Ref. No.
F85925	CHOKE ROD	21	86	FA549396	DECAL, STARBOARD	3	-
F85965	SHOCK MOUNT, UPPER	33	64	FA549397	DECAL, PORT	3	6
F89758	FUEL PUMP AIR HOSE, TOP	17	4	FA549892	DECAL, FRONT	3	35
F9018	CAP	31	28	FA549944	COVER, ENGINE, W/RETAINER, SCREWS & NUTS	3	5
F9052	PLUG	33	74	FA550386	DECAL, NUMERAL 85	3	7
F90619-1	YOKE	39	73	FA58976-1	CONNECTOR, THROTTLE CABLE	43	1
F90807	RETAINING RING	19	47	FA84621-1	COUPLING, GEAR SHIFT ARM W/BUSHING	37	45
F9095	SHIM, DRIVESHAFT BEARING UPPER .005 SILVER	37	-	FA84754-1	FUEL LINE SHORT W/FERRULES	41	8
F9097	SHIM, DRIVESHAFT BEARING UPPER .010 BLACK	37	-	FA85018-2	CRANKSHAFT W/BEARING	29	15
F9106	SHIM, DRIVESHAFT BEARING UPPER .003 BRASS	37	67	FA85019	KINGPIN W/PLUG	31	35
F91446-1	CIRCUIT BREAKER BRACKET	7	21	FA85193	TIE BAR END W/SWIVEL	17	43
F92759	THROTTLE ROLLER	19	48	FA85355-1	WASHER SHOCK MOUNT UPPER	33	63
F93811	SCREEN	23	26	FA85511	THROTTLE TIE BAR W/SWIVEL	17	44
F93920	REED STOP	23	29	FA85655-1	CRANKSHAFT MAIN BEARING RACE W/SNAP RING	29	9
F97772	FUEL LINE CLAMP	41	11	FA85838-5	TOWERSHAFT W/BEARINGS, SWIVEL, ARMS AND SCREW	23	10
F97772	HOSE CLAMP	19	62	FAC535395	PLATE, IDENTIFICATION, W/SCREWS - CANADA	3	-
F98273	ROD END CONNECTOR STUD	25	50	FB368700	KEY, IGNITION, STAMPED B	9	-
FA14048-2	PREAMPLIFIER	13	17	FC368700	KEY, IGNITION STAMPED C	9	-
FA15072	HEX LOCK NUT, 1/4 - 20	11	11	FC409398	DECAL, TOTE TANK - CANADA (NOT SHOWN)	41	-
FA321574	DISTRIBUTOR BRACKET	13	10	FC438398	DECAL, WIRING - CANADA	25	-
FA335260	PISTON RING SET (3 PER SET)	29	1	FC474387	TIMING DECAL - CANADA	9	-
FA368700	KEY, IGNITION, NO LETTER OR STAMPED A	9	54	FC498054	GEAR HOUSING COMPLETE (NOT SHOWN)	37	-
FA411222	TRANSFER PORT COVER W/PLUG	23	40	FC510374	DECAL, CIRCUIT BREAKER - CANADA	7	-
FA438113	STERN BRACKET LOCK BAR W/HANDLE	31	42	FC522227	SPARK PLUG QUL-77V FOR MODEL 857B9G (CANADA)	25	-
FA438431	FUEL PUMP BODY W/VALVES	17	11	FD368700	KEY, IGNITION STAMPED D	9	-
FA438493	TERMINAL BLOCK BRACKET	7	11	FE368700	KEY, IGNITION STAMPED E	9	-
FA439746	FUEL PUMP COVER	17	6	FG460-1	GASKET SET	27	106
FA480876	GEAR SHIFT ARM W/SWIVEL, INTERLOCK ARM AND BEARINGS	25	57	FK1063	SEAL KIT	39	74
FA480894	TIMING POINTER	23	1	FK1069	WATER PUMP KIT	39	75
FA481469	HANDLE, LATCH ENGINE COVER - W/SHAFT	3	8	FK17114-1	INDICATOR	43	32
FA481743	LATCH, ROLLER BRACKET	3	29	FK405020	SWIVEL W/PIVOT SCREW AND NUT	23	15
FA498266	BEVEL PINION GEAR W/CRUSH RING AND SHIMS	37	35	FK750-1	SPARKIE W/SPRING	15	44
FA510497	TERMINAL BLOCK	7	15	FK85228	BEARING CAGE W/ROLLER	29	7
FA523014	CRANKSHAFT LOWER MAIN BEARING W/SEAL	29	12	FO10165	INLET SEAT GASKET	19	75
FA523054	GEAR HOUSING	37	42	FO10588	BODY CHANNEL CUP PLUG	17	39
FA523098	PROPELLER SHAFT	35	24	FO10790	INLET NEEDLE, SEAT AND GASKET	19	76
FA523301	UNIT W/DECAL	9	45	FO11103	IDLE SCREW SPRING	19	53
FA523485	ANTI-CORROSION ANODE	35	21	FO13430	MAIN FUEL JET OPT. (.070) 1500 FT. - 3000 FT.	19	-
FA523735	SEAL, INLET WATER LINE LOWER	37	65	FO13552	FUEL BOWL	19	67
				FO13554	FLOAT	19	69
				FO13555	CHOKE SHUTTER	19	77

PARTS INDEX

Part Number	Description	Pg.	Ref. No.	Part Number	Description	Pg.	Ref. No.
FO13944	FLOAT LEVER PIN	19	68	FT8902	DIAL INDICATOR	48	-
FO13945	FUEL BOWL RETAINING SCREW	19	65	FT8903	SEAL INSTALLER	47	-
FO13946	IDLE SCREW	19	54	FT8907	DRIVE HANDLE	47	-
FO13947	CHOKE SHAFT RETURN SPRING	19	73	FT8907	DRIVER HANDLE	48	-
FO13967	MAIN FUEL JET OPT. (.068) 3000 FT. - 4500 FT.	19	-	FT8914	SEAL REMOVER	47	-
FO14108	MAIN FUEL JET OPT. (.064) 6000 FT. & UP	19	-	FT8918	BEARING GUIDE SET	48	-
FO14188	MAIN FUEL JET OPT. (.066) 4500 FT. - 6000 FT.	19	-	FT8919	SPRING PIN PUNCH	48	-
FO15026	MAIN FUEL JET STD. (.072) SEA LEVEL - 1500 FT.	19	52	FT8925	SEAL INSTALLER	47	-
FO15217	MAIN NOZZLE	21	93	FT8925	SEAL INSTALLER	48	-
FO15230	THROTTLE SHAFT AND LEVER	19	50	FT8926	RING EXPANDER	47	-
FO15623	FUEL BOWL GASKET	19	71	FT8927	SEAL PROTECTOR	47	-
FO16008	THROTTLE SHAFT RETURN SPRING	19	51	FT8933	LIFTING HOOK	49	-
FO16850	CHOKE SHAFT AND LEVER	19	74	FT8935	SEALANT PRIMER	50	-
FO16851	THROTTLE SHUTTER	17	42	FT8936	SEALANT	50	-
FO2510	GASKET, FUEL BOWL RETAINING SCREW	19	66	FT8948-1	PULLER	46	-
FO4326	BODY CHANNEL WELCH PLUG	17	38	FT8948-1	PULLER	48	-
FO8942	SHUTTER SCREW W/LOCKWASHER	17	41	FT8950	LEAKAGE TESTER	49	-
FO8942	THROTTLE SHUTTER SCREW AND LOCKWASHER	21	96	FT8953	IGNITION TESTER	49	-
FPS524	PROPELLER (ACCESSORY ITEM)	35	18	FT8955	SEALANT	50	-
FS409752	FUEL LINE COMPLETE (NOT SHOWN)	41	-	FT8957	SEAL INSTALLER	48	-
FS480955	STARTER COMPLETE	11	-	FT8969	LUBRICANT	50	-
FS548179	TRIM, TOP	3	1	FT8978	TIMING LIGHT	46	-
FS548180	TRIM, REAR	3	4	FT8985	SEAL INSTALLER	48	-
FS548269	HANDLE, TILT	3	3	FT8993	SEALANT	50	-
FS548888	TRIM, FRONT	3	36	FT8997	SHIMMING TOOL	48	-
FSA335260	PISTON RINGS (3 PER SET) .010 OVERSIZE (NOT SHOWN)	29	-	FTA2937-1	TIMING TOOL	46	-
FT1082	SNAP RING PLIER	47	-	FTK8999	TEST WHEEL	49	-
FT11204	BEARING CUP INSTALLER	48	-	OB3061	LITERATURE (NOT SHOWN)	45	-
FT11205	BEARING INSTALLER/REMOVER	48	-	22-817789A1	DRAIN FITTING	19	64
FT11207	BEARING CUP REMOVER	48	-	22-818103--1	ELBOW	19	61
FT11209	BEARING GUIDE SET	48	-	31-817785A2	CRANKSHAFT BEARING CAGE W/SEAL	29	18
FT2951	CIRCUIT TRACER	49	-	32-817738A1	FUEL LINE LONG W/CLAMP AND FERRULE	41	10
FT2953	SOCKET	47	-	33-97180	SPARK PLUG (CHAMPION L- 20-V) USA	25	65
FT2961	LUBRICANT	50	-	37-819450	DECAL, REVERSE LOCK - CANADA	33	-
FT2962-1	SEALANT	50	-	39-818110A1	PISTON RINGS (3 PER SET) .030 OVERSIZE (NOT SHOWN)	29	-
FT2963-1	SEALANT	50	-	45-818017A3	DRIVESHAFT W/BEARING, SHIMS AND CRUSH RING	39	69
FT2987-1	LUBRICANT	50	-	46-817853A1	WATER PUMP BODY W/DRIVESHAFT SEAL, DISC AND WATER LINE SEAL	37	60
FT2990	PISTON PIN TOOL	47	-	84-817775A1	COIL WIRE W/TERMINAL CLIP - USA	13	29
FT2996	RING COMPRESSOR	47	-	87-817778A1	THERMOSWITCH	27	88
FT3012	SEAL INSTALLER	48	-	600-818052A4	CONNECTING ROD W/CAP AND SCREWS	29	6
FT7848	TORQUING ADAPTER	48	-	700-817988A2	PISTON .010 OVERSIZE (NOT SHOWN)	29	-
FT8901	INDICATOR HOLDER	48	-	700-818111A2	PISTON .030 OVERSIZE (NOT SHOWN)	29	-
				700-F372015-3	PISTON	29	2
				800-817823A7	CYLNDR ASS"Y W/PARTING LINE SEAL & LOWER MAIN BEARING ASS"Y	27	89

PARTS INDEX

Part Number	Description	Pg.	Ref. No.	Part Number	Description	Pg.	Ref. No.
800-817901A9	SHORT BLOCK, NOT SHOWN	27	-				
1400-817958A6	STERN BRACKET	31	19				