



# PARTS CATALOG

## 100 H.P.

### SERIAL NUMBER

100 (1980) .....	1006B0B
100 (1980) .....	1006H0B

# TABLE OF CONTENTS:

ACCESSORIES .....	56
CARBURETOR .....	16
CRANKSHAFT AND PISTON GROUP .....	30
DISTRIBUTOR .....	12
ELECTRICAL COMPONENTS .....	6
ENGINE COVER AND SUPPORT PLATE .....	2
FUEL PUMP AND REED PLATE .....	20
FUEL TANK AND LINE .....	44
GEAR HOUSING .....	38
MOTOR LEG .....	32
PARTS INDEX .....	59
POWER HEAD .....	24
REMOTE CONTROL .....	46
SPECIAL TOOLS - GEAR HOUSING .....	52
SPECIAL TOOLS - LUBRICANTS AND SEALANTS .....	54
SPECIAL TOOLS - POWER HEAD .....	51
SPECIAL TOOLS - REPAIR DECALS - ENGINE COVERS .....	55
SPECIAL TOOLS - TEST EQUIPMENT .....	53
SPECIAL TOOLS - TUNE-UP .....	50
STARTER .....	10

**NOTE:** Indented description indicate that these parts are included in preceeding assembly.

**AR** = As Required

**NSS** = Not Sold Separate

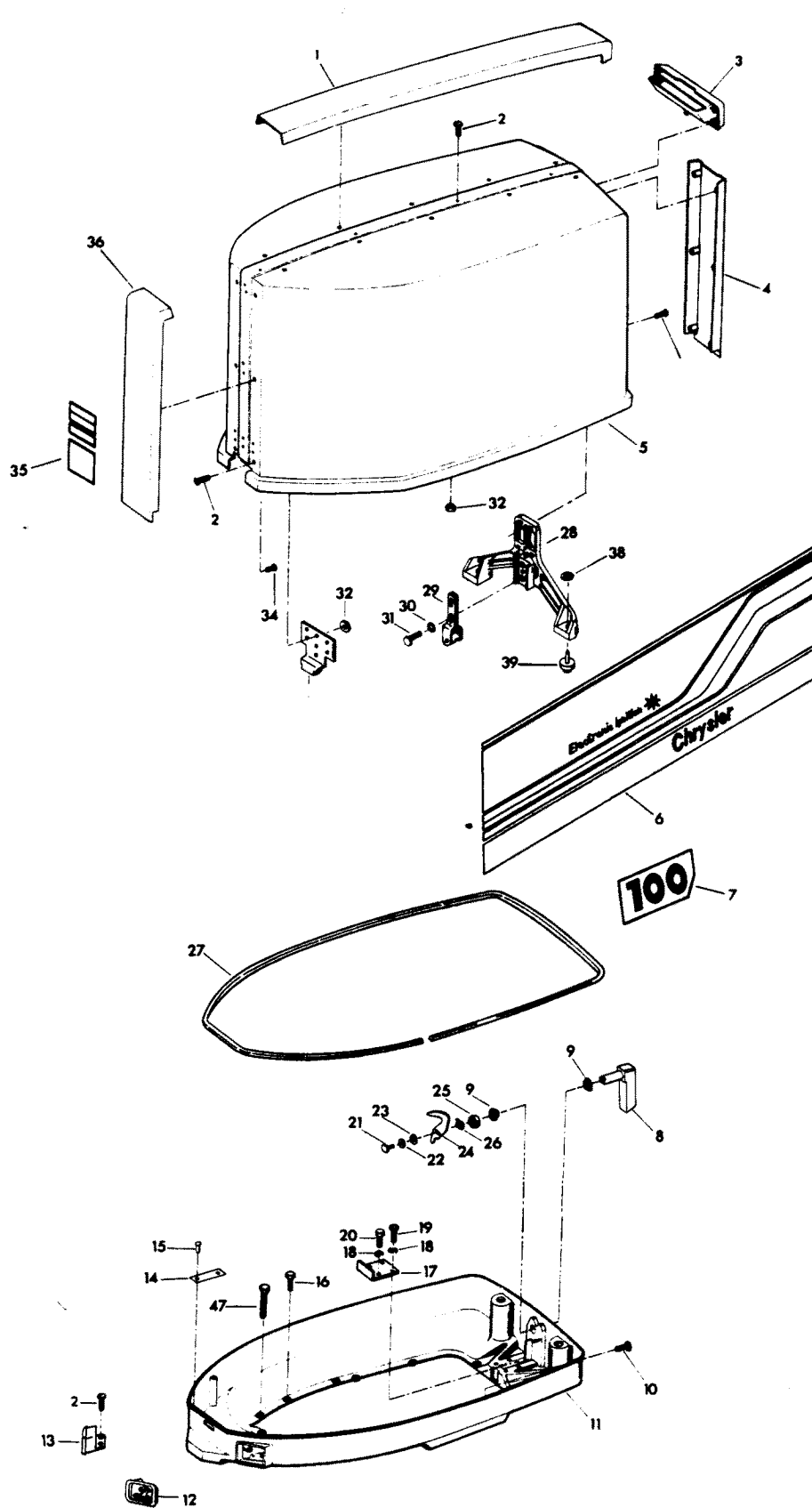
**OPT** = Optional

**NS** = Not Shown

**THESE PARTS BOOKS/FICHE CARD ARE COPYRIGHTED AND MAY NOT BE DISTRIBUTED OR REPRODUCED IN ANY OTHER FORMAT BY ANYONE OTHER THAN MERCURY MARINE WITHOUT THE PRIOR WRITTEN CONSENT OF MERCURY MARINE.**

THIS PAGE INTENTIONALLY LEFT BLANK

# ENGINE COVER AND SUPPORT PLATE

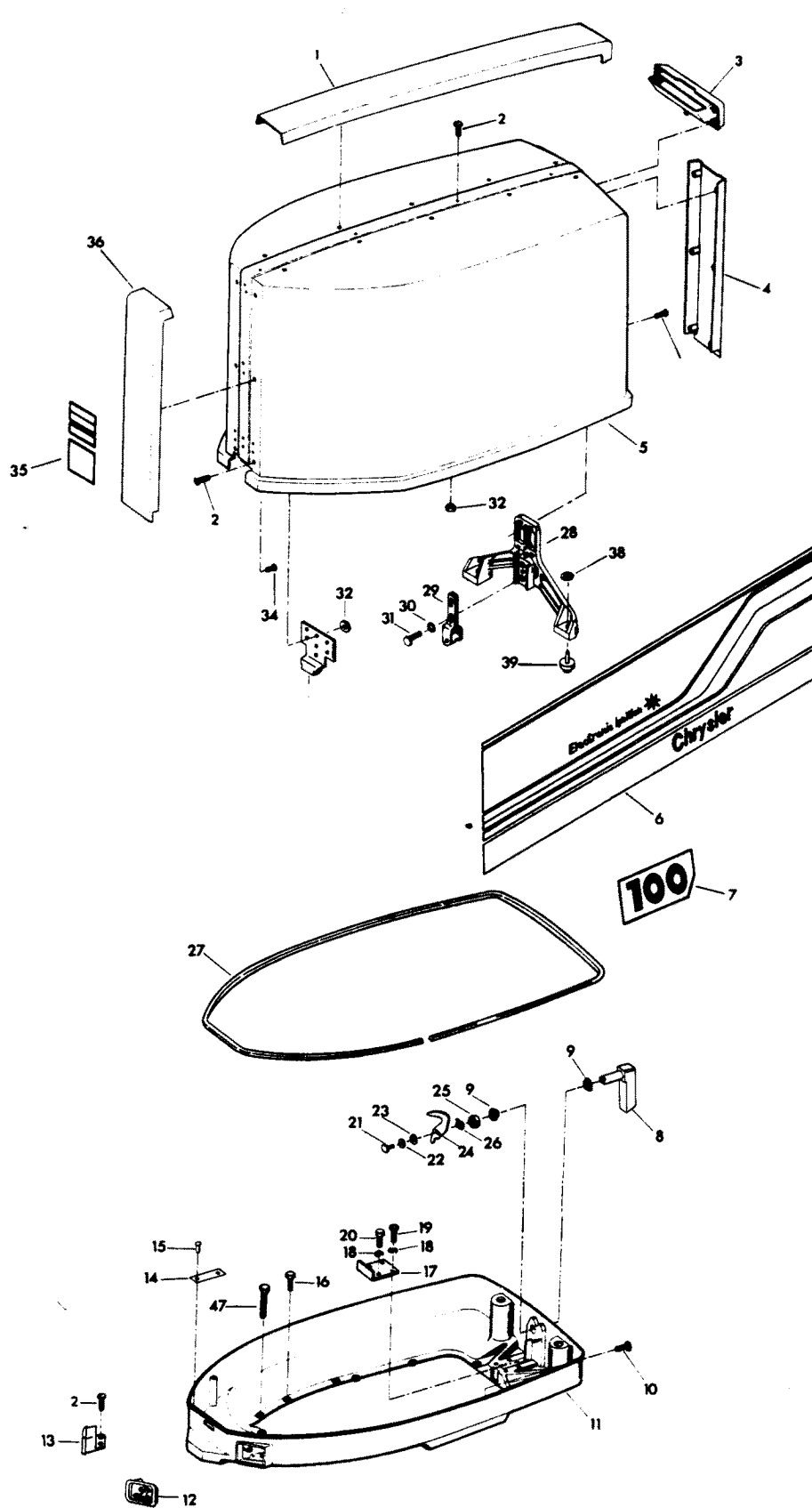


# ENGINE COVER AND SUPPORT PLATE

REF. NO.	PART NO.	SYM.	QTY.	DESCRIPTION
1	FA480179		1	TRIM TOP
2	F1733		10	PAN HD MACHINE SCREW, 10 - 24 X 9/16
3	FA480269		1	TILT HANDLE
4	FA552180		1	TRIM REAR
5	FA552944		1	ENGINE COVER W/RETAINER, SCREWS AND NUTS
-	<b>3C585944</b>		<b>1</b>	<b>ENGINE COVER, COMPLETE INCLUDES ALL ITEMS MARKED WITH AN ASTERISK (*)</b>
6	FA585397		1	DECAL, PORT
-	<b>FA585396</b>		<b>1</b>	<b>DECAL, STARBOARD</b>
7	FA585386		2	DECAL, NUMERAL
8	FA481469		1	HANDLE W/SHAFT
9	F480818		2	BEARING
10	F1535		6	HEX CAP SCREW, 1/4 - 20 X 3/4
11	F480038-2		1	SUPPORT PLATE
12	F549189		1	BUSHING, ELECTRIC CABLE
13	F545189		1	BUSHING, CABLE ENTRY
14	FA535395		1	IDENTIFICATION PLATE W/SCREWS FOR U.S.A. MODELS
-	<b>FAC535395</b>		<b>1</b>	<b>IDENTIFICATION PLATE W/SCREWS FOR CANADA MODELS</b>
15	F1477		2	ROUND HD SCREWS, 2 X 3/16
16	F1540		5	HEX CAP SCREW, 1/4 - 20 X 5/8
17	F335654-1		1	DEFLECTION STOP
18	F8096		4	SPRING LOCKWASHER
19	F1857		2	HEX CAP SCREW, 5/16 - 18 X 5/8
20	F1858		2	HEX CAP SCREW, 5/16 - 18 X 1
21	F1541		1	HEX CAP SCREW, 1/4 - 20 X 5/8
22	F8083		1	SPRING LOCKWASHER
23	F8094		1	PLAIN WASHER
24	F481777		1	CAM, LATCH
25	F481382-1		1	SPACER, LATCH SHAFT
26	F2047		1	WAVE SPRING LOCKWASHER
27	F321756		1	PACKING, COVER
28	F481774		1	BRACKET, COVER LATCH
29	FA481743		1	ROLLER BRACKET
30	F8096		2	SPRING LOCKWASHER
31	F1857		2	HEX CAP SCREW, 5/16 - 18 X 5/8
32	F1473		7	HEX NUT
33	F373778-1		1	RETAINER, ENGINE COVER
34	F2066		30	PAN HD TAPPING SCREW, 10 X 7/16 (TRIM TO COVER)
35	FA585892		1	DECAL, FRONT
36	FA552888		1	TRIM FRONT
37	F1730		3	PAN HD SCREW W/SPRING LOCKWASHER, 1/4 - 20 X 5/8

CONTINUED ON NEXT PAGE ➡

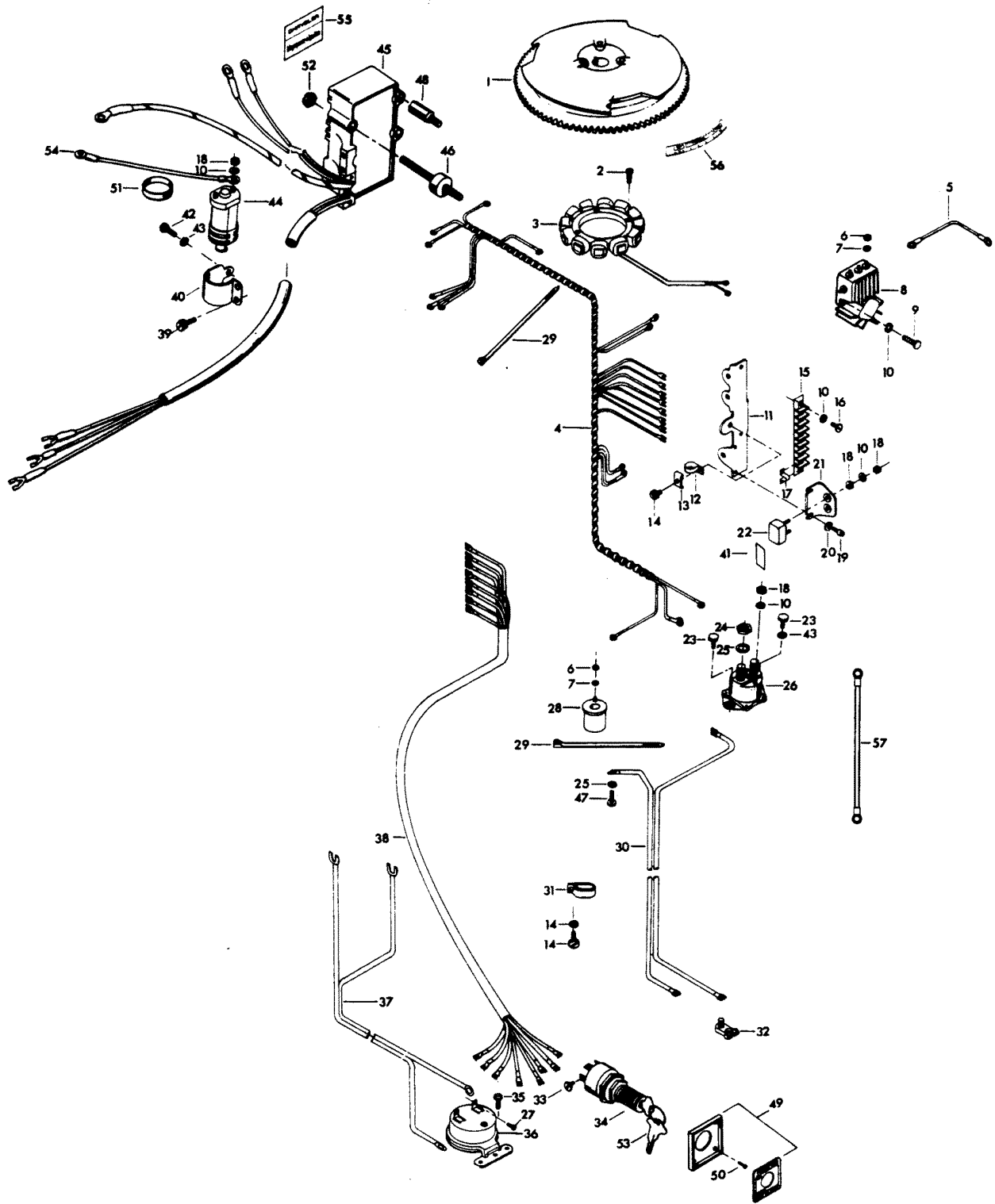
# ENGINE COVER AND SUPPORT PLATE



# ENGINE COVER AND SUPPORT PLATE

REF. NO.	PART NO.	SYM.	QTY.	DESCRIPTION
38	F2088		2	FASTENER
39	F481434		2	GUIDE, ENGINE COVER
40	F1708		2	HEX HD CAP SCREW, 1/4 - 20 X 1 3/8
-	<b>F548984</b>		<b>1</b>	<b>BLANKET, SILENCER TOP (NOT SHOWN)</b>
-	<b>F552985</b>		<b>2</b>	<b>BLANKET, SILENCER SIDE (NOT SHOWN)</b>

# ELECTRICAL COMPONENTS



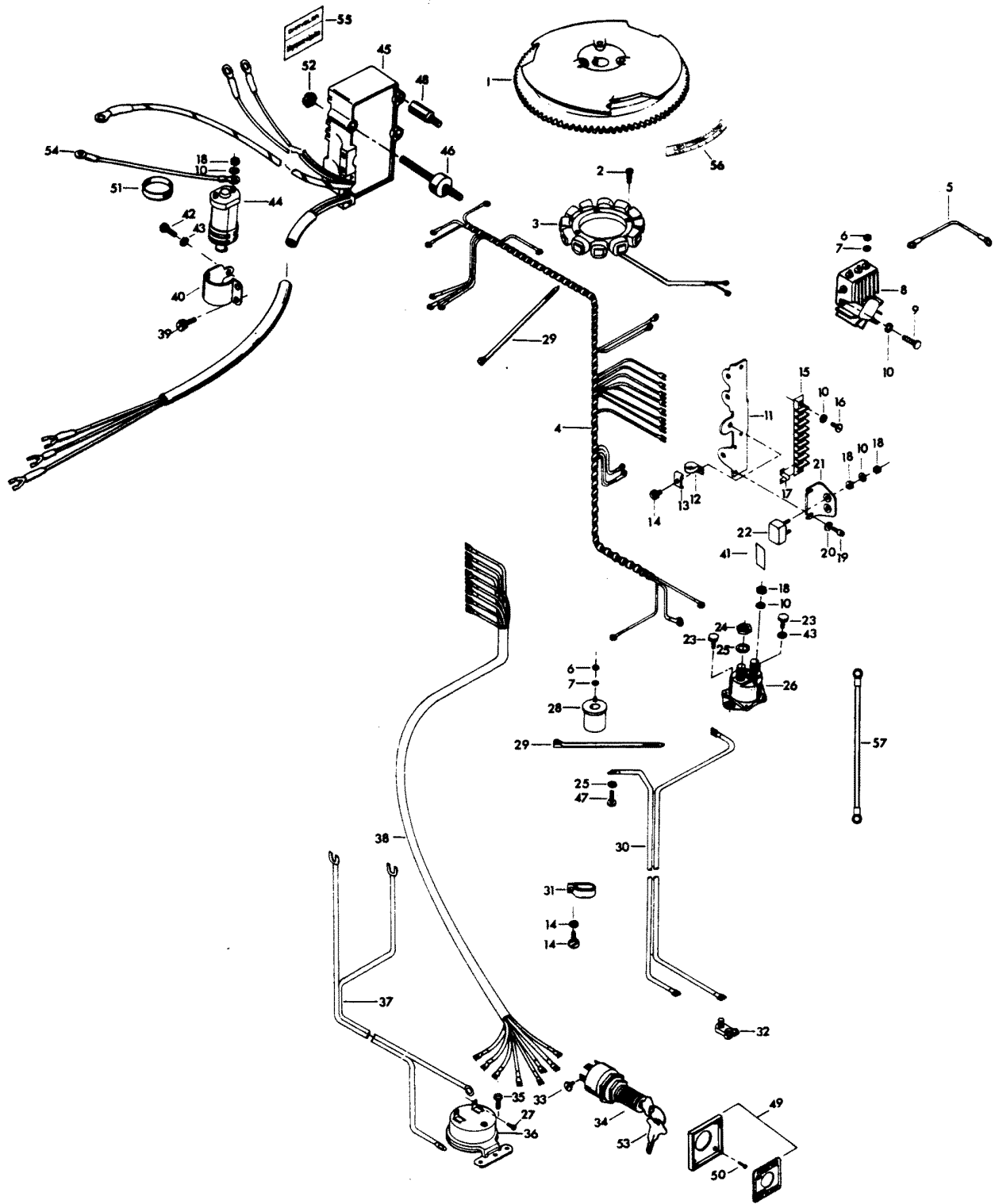


# ELECTRICAL COMPONENTS

REF. NO.	PART NO.	SYM.	QTY.	DESCRIPTION
1	F404097		1	FLYWHEEL
2	F1087		6	FILL HD SCREW, 10 - 24 X 13/16
3	F85095-2		1	STATOR
4	F438744-1		1	WIRING HARNESS
5	F345683		1	WIRE, REGULATOR-RECTIFIER GROUND
6	F1647		5	HEX NUT, 8 - 32
7	F8056		5	SPRING LOCKWASHER
8	F404470-1		1	REGULATOR-RECTIFIER
9	F2107		3	FILL HD SCREW, 10 - 24 X 5/8
10	F1975		9	SPRING LOCKWASHER
11	FA439493		1	TERMINAL BLOCK BRACKET
12	F289446-1		1	CLAMP
13	F438668		1	RETAINER, CABLE CLAMP
14	F1734		2	FILL HD SCREW W/LOCKWASHER, 1/4 - 20 X 1/2
15	FA510497		1	TERMINAL BLOCK
16	F1648		2	PAN HD SCREW, 10 - 24 X 3/4
17	F307317		1	CLIP, TERMINAL BLOCK
18	F1513		8	HEX NUT
19	F1760		2	PAN HD SCREW, 10 - 24 X 3/8
20	F8011		2	PLAIN WASHER
21	F91446-1		1	CIRCUIT BREAKER BRACKET
22	F510460		1	CIRCUIT BREAKER
23	F1536		2	HEX CAP SCREW, 1/4 - 20 X 3/4
24	F1515		2	HEX NUT
25	F8096		3	SPRING LOCKWASHER
26	F460917		1	STARTER RELAY
27	F1645		2	RD HD SCREW, 6 - 32 X 1/4
28	F85924		1	CHOKE SOLENOID
29	F1877		2	TY - RAP
30	F381896-4		1	BATTERY CABLE
31	F407446		1	CLAMP
32	F5H041		1	BATTERY TERMINAL KIT (ACCESSORY ITEM)
33	F1280		5	PAN HD SCREW, 8 - 32 X 1/4
34	F5H078		1	IGNITION SWITCH W/KEYS AND SCREWS <b>(LONG BARREL)</b> <b>(ACCESSORY ITEM)</b>
35	F1741		2	PAN HD SCREW, 8 X 3/4
36	F5H043		1	OVERHEAT BUZZER (ACCESSORY ITEM)
37	F404841		1	CABLE, HEAT INDICATOR
38	F85843-1		1	REMOTE ELECTRIC CABLE, 18 FEET
39	F1851		2	FILL HD SCREW W/LOCKWASHER, 10 - 24 X 1/2
40	F404513		1	COIL CLAMP
41	F510374		1	DECAL, CIRCUIT BREAKER U.S.A.
-	<b>FC510374</b>		<b>1</b>	<b>DECAL, CIRCUIT BREAKER - CANADA</b>

CONTINUED ON NEXT PAGE ➡

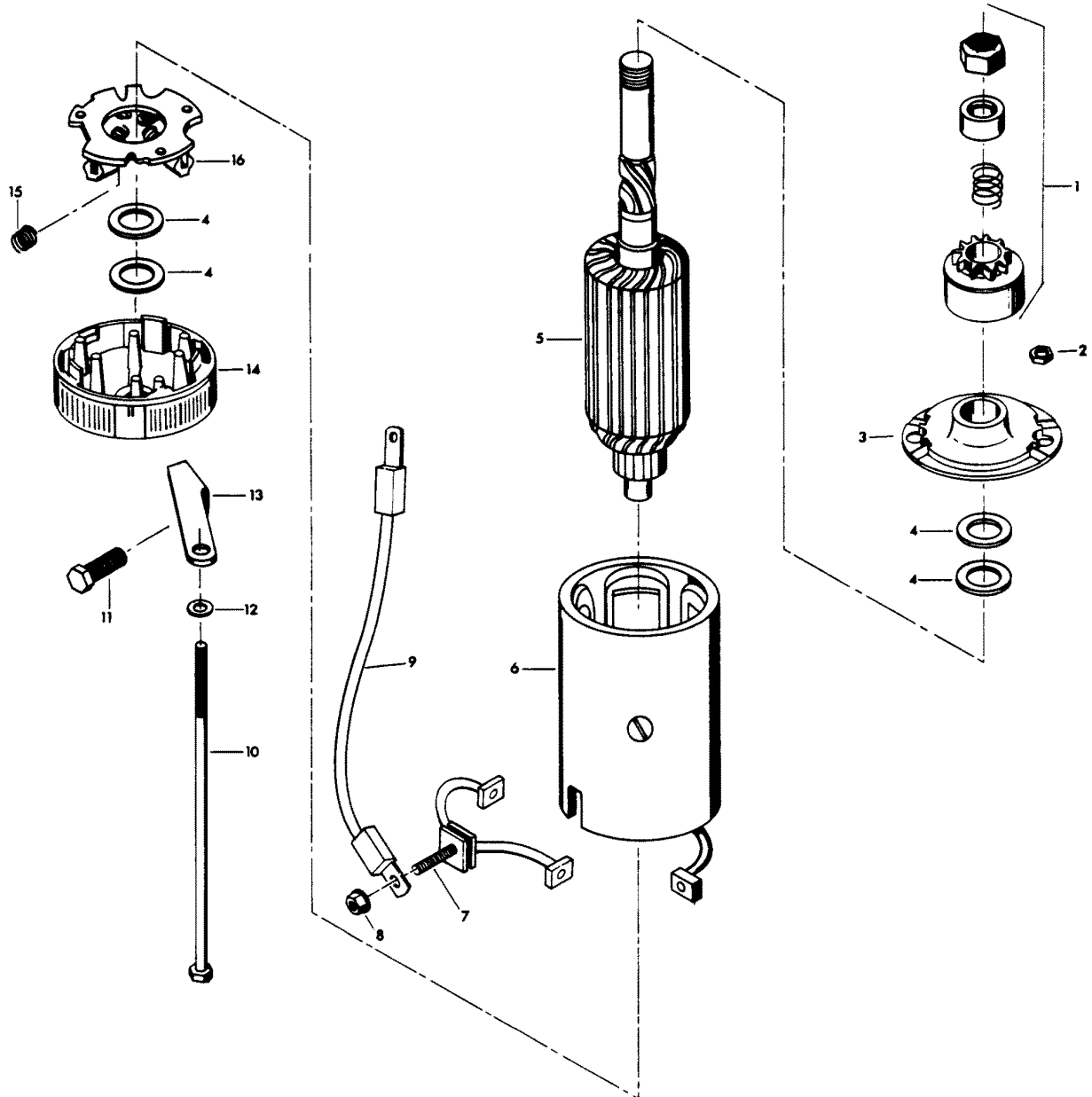
# ELECTRICAL COMPONENTS



# ELECTRICAL COMPONENTS

REF. NO.	PART NO.	SYM.	QTY.	DESCRIPTION
42	F1546		1	HEX HD CAP SCREW, 1/4 - 20 X 1/2
43	F8083		2	SPRING LOCKWASHER
44	F345475-1		1	COIL
45	300-817855A1		1	UNIT W/DECAL ( <b>ORIGINAL FORCE P/N A 523301-1</b> )(Does not include Coil & Clamp)
46	F523962		3	SHOCK MOUNT - C.D. UNIT
47	F2000		1	HEX CAP SCREW, 5/16 - 18 X 3/4
48	F322273		1	STUD, C.D. UNIT
49	F5H038		1	IGNITION SWITCH MOUNTING KIT (ACCESSORY ITEM)
-	<b>817892--1</b>		<b>1</b>	<b>PLATE, IGNITION SWITCH - CANADA (NOT SHOWN)</b>
50	F1934		4	FLAT HD SLOTTED SCREW, 6 X 12
51	F391983		2	RETAINING BAND
52	F1892		3	STOP NUT
53	FA368700		1	KEY, IGNITION - NO LETTER OR STAMPED A
-	<b>FB368700</b>		<b>1</b>	<b>KEY, IGNITION - STAMPED B</b>
-	<b>FC368700</b>		<b>1</b>	<b>KEY, IGNITION - STAMPED D</b>
-	<b>FD368700</b>		<b>1</b>	<b>KEY, IGNITION - STAMPED D</b>
-	<b>FE368700</b>		<b>1</b>	<b>KEY, IGNITION - STAMPED E</b>
54	F85664		1	GROUND WIRE
55	480373		1	DECAL, MAGNAPOWER IGNITION
56	F474387		1	TIMING DECAL - USA
-	<b>FC474387</b>		<b>1</b>	<b>TIMING DECAL - CANADA</b>
57	F319908		1	GROUND WIRE - CANADA

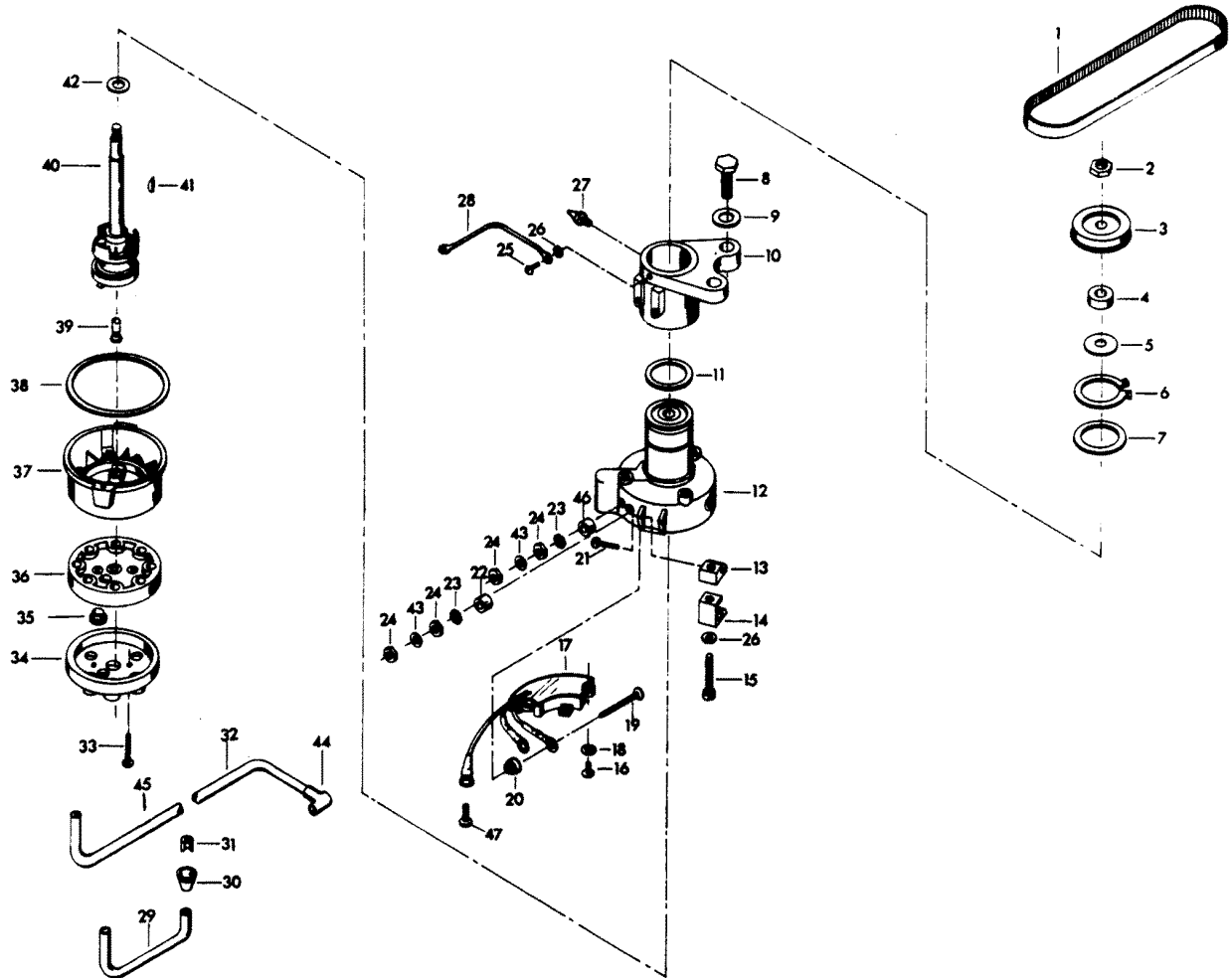
# STARTER



# STARTER

REF. NO.	PART NO.	SYM.	QTY.	DESCRIPTION
1	F15118		1	BENDIX DRIVE ASSEMBLY
2	F1641		2	LOCK NUT
3	F15167		1	HEAD ASSEMBLY, DRIVE END
4	F15126		1	THRUST WASHER PACKAGE
5	F15099		1	ARMATURE
6	F15166		1	FRAME AND FIELD ASSEMBLY
7	F15054		1	BRUSH AND TERMINAL SET
8	FA15072		1	HEX LOCK NUT, 1/4 - 20
9	F85908		1	STARTER LEAD WIRE
10	F15168		1	THRU BOLT PACKAGE
11	F1540		1	HEX CAP SCREW, 1/4 - 20 X 5/8
12	F8028		2	PLAIN WASHER
13	F511675		1	STARTER BRACKET, LOWER
14	F15125		1	HEAD ASSEMBLY, COMMUTATOR END
15	F15034		1	SPRING SET
16	F15057		1	BRUSH PLATE AND HOLDER ASSEMBLY
-	<b>FS490955</b>		<b>1</b>	<b>STARTER COMPLETE</b>
-	<b>FC500390</b>		<b>1</b>	<b>DECAL, STARTER - CANADA (NOT SHOWN)</b>

# DISTRIBUTOR

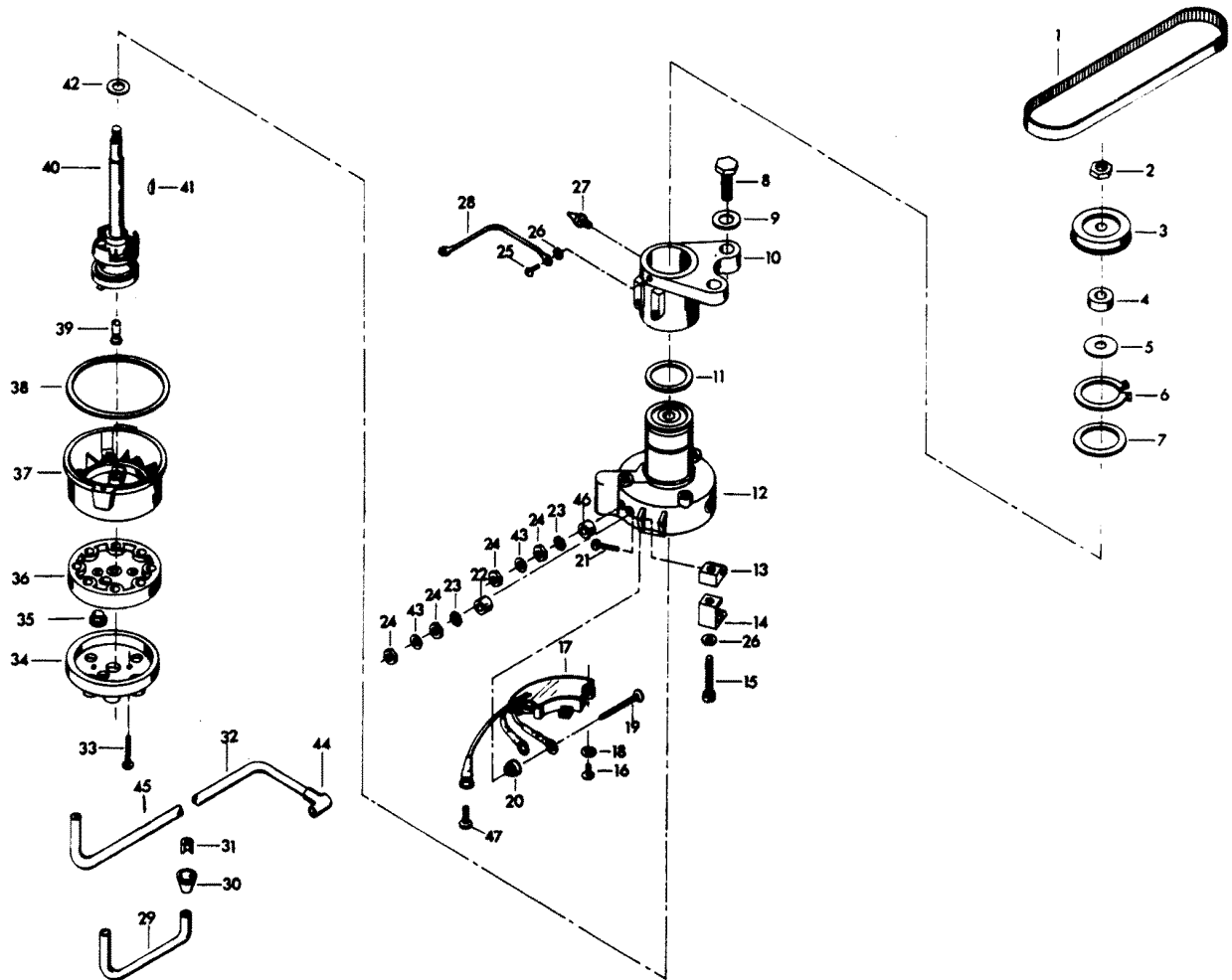


# DISTRIBUTOR

REF. NO.	PART NO.	SYM.	QTY.	DESCRIPTION
1	F85311		1	DISTRIBUTOR BELT
2	F7013		1	STOP NUT
3	817786A1		1	DISTRIBUTOR PULLEY
4	F14025		1	SPACER
5	F14028		1	THRUST WASHER
6	F85173		1	RETAINING RING
7	F14029		1	THRUST WASHER
8	F1612		2	HEX CAP SCREW, 3/8 - 16 X 1 1/4
9	F1778		2	PLAIN WASHER
10	FA321574		1	DISTRIBUTOR BRACKET
11	F1759		2	SHIM, DISTRIBUTOR (QTY. AS REQUIRED)
12	F14042		1	DISTRIBUTOR HOUSING W/BEARINGS
13	F14036		2	SWIVEL
14	F14037		2	CAP CLIPS
15	F14038		2	CAP CLIP SCREWS
16	F14045		2	SCREW
17	FA14048-2		1	PREAMPLIFIER
18	F8056		2	LOCKWASHER
19	F14046		2	TERMINAL SCREW
20	F14047		2	TERMINAL INSULATOR (INSIDE)
21	F14015		2	CAP CLIP RIVET
22	F14049		1	TERMINAL INSULATOR (OUTSIDE)
23	F14041		2	EXTERNAL TOOTH LOCKWASHER
24	F1647		4	HEX NUT, 8 - 32
25	F1760		2	PAN HD SCREW, 10 - 24 X 3/8
26	F1975		2	SPRING LOCKWASHER
27	F213274		1	GREASE FITTING
28	F85664		1	DISTRIBUTOR GROUND
29	84-817775A1		1	COIL WIRE W/TERMINAL CLIP - USA
-	<b>F438905</b>		<b>1</b>	<b>COIL WIRE - CANADA</b>
30	F203276		1	BOOT
31	F203673		1	TERMINAL CLIP
32	F321841-3		4	LEAD WIRE - USA
-	<b>F438841-1</b>		<b>4</b>	<b>LEAD WIRE - CANADA</b>
33	F14007		2	CAP SCREW
34	F14010-1		1	CAP COVER
35	F14040		2	VENT
36	F14021-1		1	CAP SEAL
37	F14005-2		1	CAP BASE
38	F14030		1	CAP GASKET
39	F14012-1		1	BRUSH
40	F14044		1	DISTRIBUTOR SHAFT
41	F1692		1	WOODRUFF KEY

CONTINUED ON NEXT PAGE ➡

# DISTRIBUTOR

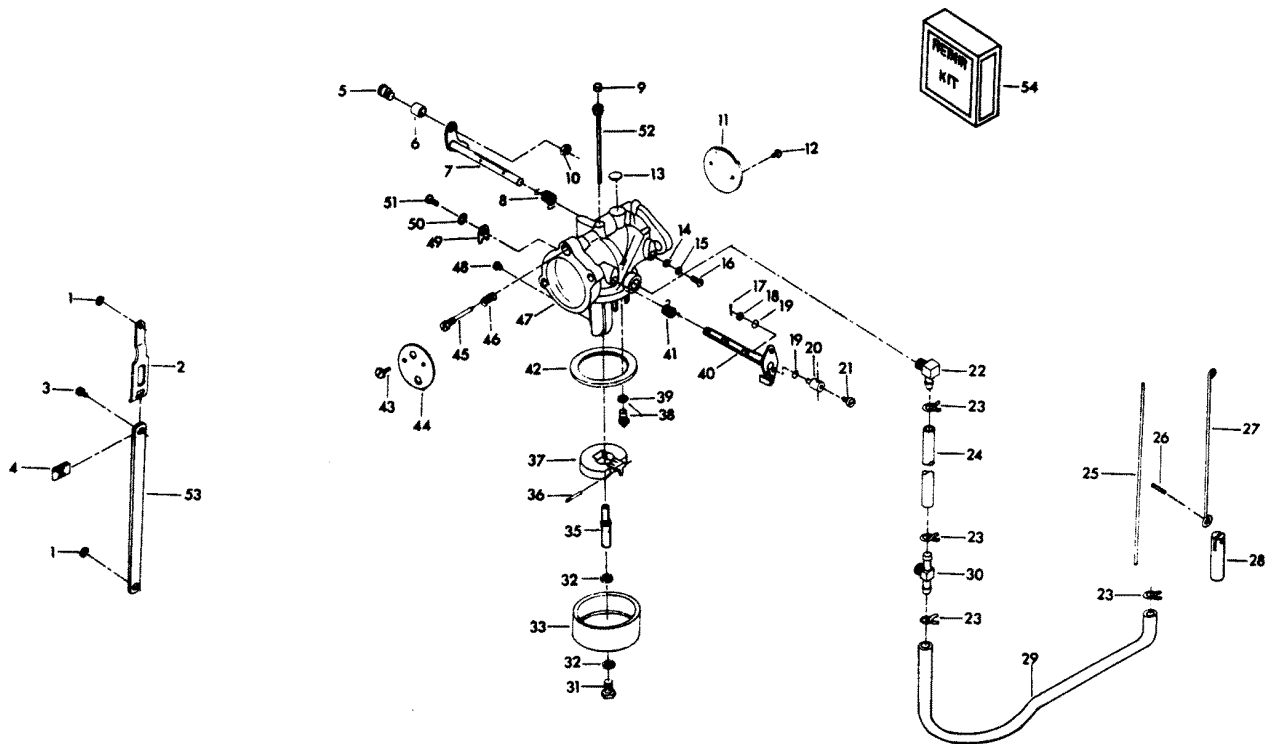




# DISTRIBUTOR

REF. NO.	PART NO.	SYM.	QTY.	DESCRIPTION
42	F14024		1	SPACER
43	F8056		2	LOCKWASHER
44	FK750-2		4	SPARKIE
45	F84991-1		3	GROMMET
46	F14017		1	TERMINAL INSULATOR (OUTSIDE)
47	F14056		1	SCREW
-	<b>817828A1</b>		<b>1</b>	<b>DISTRIBUTOR</b>
-	<b>481373</b>		<b>1</b>	<b>DECAL, "ELECTRONIC" (NOT SHOWN)</b>

# CARBURETOR

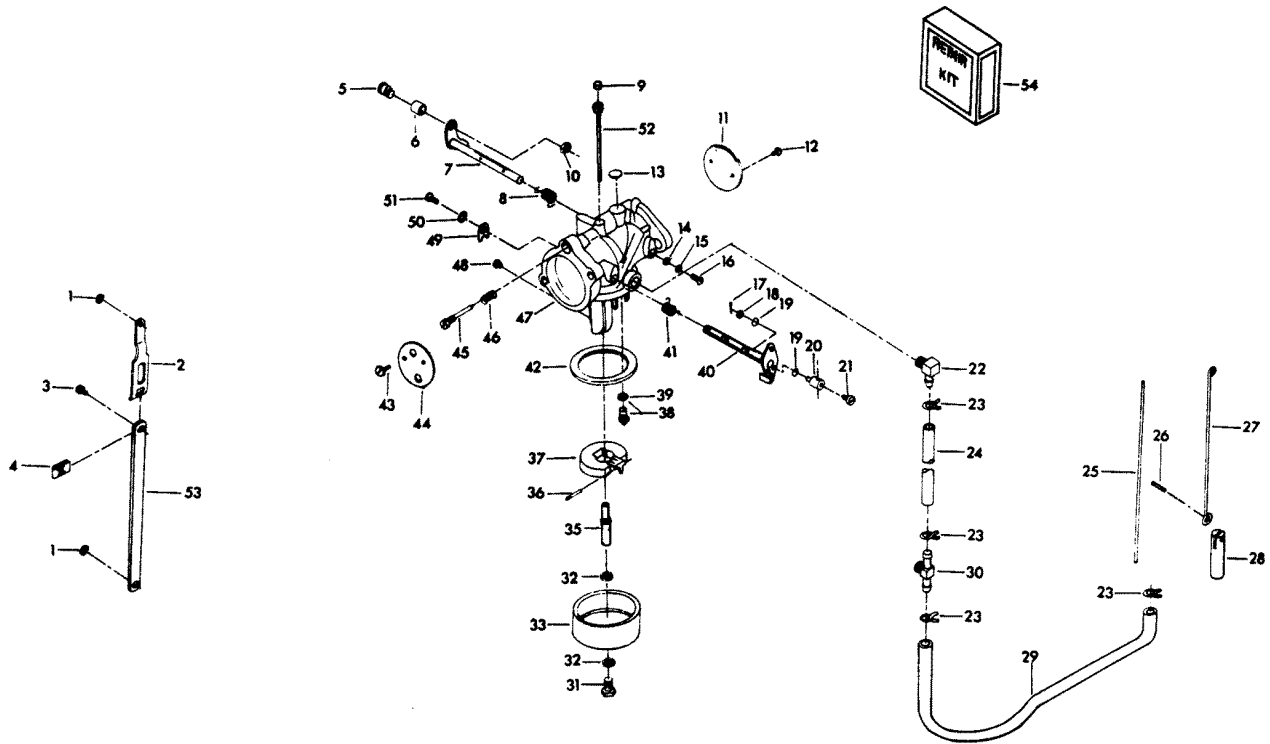


# CARBURETOR

REF. NO.	PART NO.	SYM.	QTY.	DESCRIPTION
1	F90807		2	RETAINING RING
2	FA85193		1	TIE BAR END W/SWIVEL
3	F1064		1	FILL HD SCREW, 8 - 32 X 3/8
4	F1693		1	TIE BAR RETAINER
5	F333316		1	THROTTLE ROLLER SHAFT
6	F92759		1	THROTTLE ROLLER
7	FO15231		1	THROTTLE SHAFT AND LEVER
8	FO16008		1	THROTTLE SHAFT RETURN SPRING
9	FO10588		1	BODY CHANNEL CUP PLUG
10	F1997		1	STOP NUT, 8 - 32
11	FO13942		1	THROTTLE SHUTTER
12	FO8942		2	THROTTLE SHUTTER RETAINING SCREW AND LOCKWASHER
13	FO4326		1	BODY CHANNEL WELCH PLUG
14	FO3804		1	RETAINING SCREW WASHER
15	FO6396		1	RETAINING SCREW LOCKWASHER
16	FO6393		1	RETAINING SCREW
17	F1014		2	COTTER PIN
18	F8088		3	PLAIN WASHER
19	F184579		5	"O" RING SEAL
20	F184033-1		1	SWIVEL, TOP CARBURETOR
21	F1059		2	FILL HD SCREW, 6 - 32 X 1/4
22	F84314-2		1	ELBOW
23	F97772		4	CLAMP
24	F178754-1		1	FUEL LINE
25	F85509-1		1	LINK, CHOKE
26	F2033		1	GROOVE PIN
27	F372925		1	CHOKE ROD
28	F391926-1		1	PLUNGER
29	F438754		1	FUEL LINE
30	F85314-1		1	FUEL FITTING
31	FO13945		1	FUEL BOWL RETAINING SCREW
32	FO2510		2	FUEL BOWL RETAINING SCREW GASKET
33	FO13552		1	FUEL BOWL
35	FO15217		1	MAIN NOZZLE
36	FO13944		1	FLOAT LEVER PIN
37	FO13554		1	FLOAT
38	FO10790		1	INLET NEEDLE, SEAT AND GASKET
39	FO10165		1	INLET SEAT GASKET
40	FO17241		1	CHOKE SHAFT AND LEVER
41	FO13947		1	CHOKE SHAFT RETURN SPRING
42	FO15623		1	FUEL BOWL GASKET
43	FO8942		2	CHOKE SHUTTER RETAINING SCREW AND LOCKWASHER
44	FO13555		1	CHOKE SHUTTER

CONTINUED ON NEXT PAGE ➡

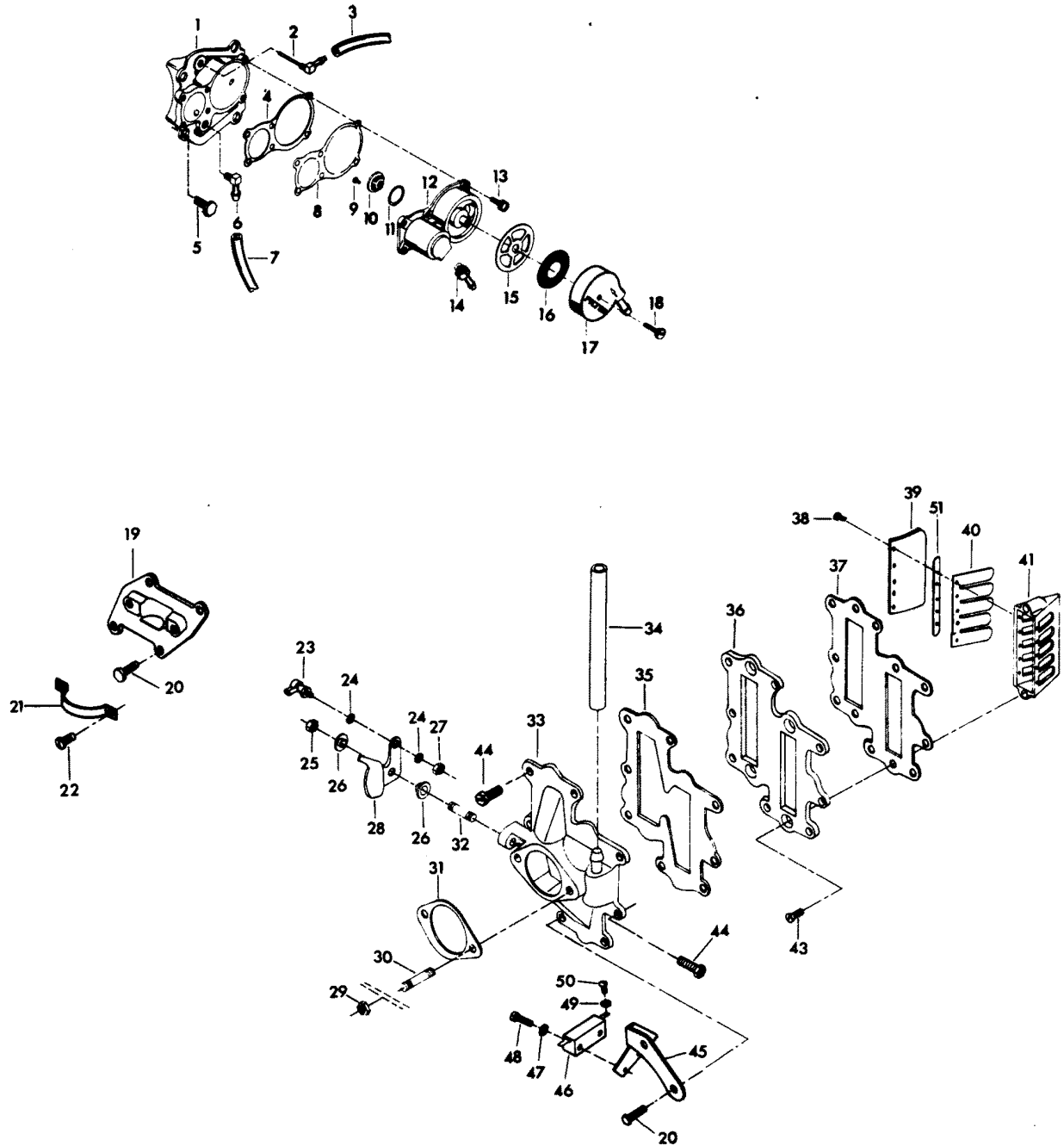
# CARBURETOR



# CARBURETOR

REF. NO.	PART NO.	SYM.	QTY.	DESCRIPTION
45	FO13946		1	IDLE MIXTURE SCREW
46	FO11103		1	IDLE MIXTURE SCREW SPRING
47	F500061-1		2	CARBURETOR COMPLETE (WB24B)
48	FO13194		1	MAIN FUEL JET. STD. .080 SEA LEVEL - 1500 FT.
-	<b>FO14306</b>		-	<b>MAIN FUEL JET. OPT. .0785 1500 FT. - 3000 FT.</b>
-	<b>FO13191</b>		-	<b>MAIN FUEL JET. OPT. .076 3000 FT. - 4500 FT.</b>
-	<b>FO14303</b>		-	<b>MAIN FUEL JET. OPT. .074 4500 FT. - 6000 FT.</b>
-	<b>FO15026</b>		-	<b>MAIN FUEL JET. OPT. .072 6000 FT. &amp; UP.</b>
49	FO9678		1	CLIP, CHOKE SHAFT
50	FO992		1	LOCKWASHER
51	FO1974		1	SCREW
52	FO17181		1	IDLE TUBE
53	FA178233		1	THROTTLE TIE BAR W/SWIVEL
-	<b>F85033</b>		<b>1</b>	<b>SWIVEL, CHOKE ROD (BOTTOM CARBURETOR) (NOT SHOWN)</b>
-	<b>F10000</b>		<b>1</b>	<b>GASKET SET (NOT SHOWN)</b>
54	F10005		1	REPAIR PARTS KIT. INCLUDES ALL ITEMS MARKED WITH AN ASTERISK (*).

# FUEL PUMP AND REED PLATE

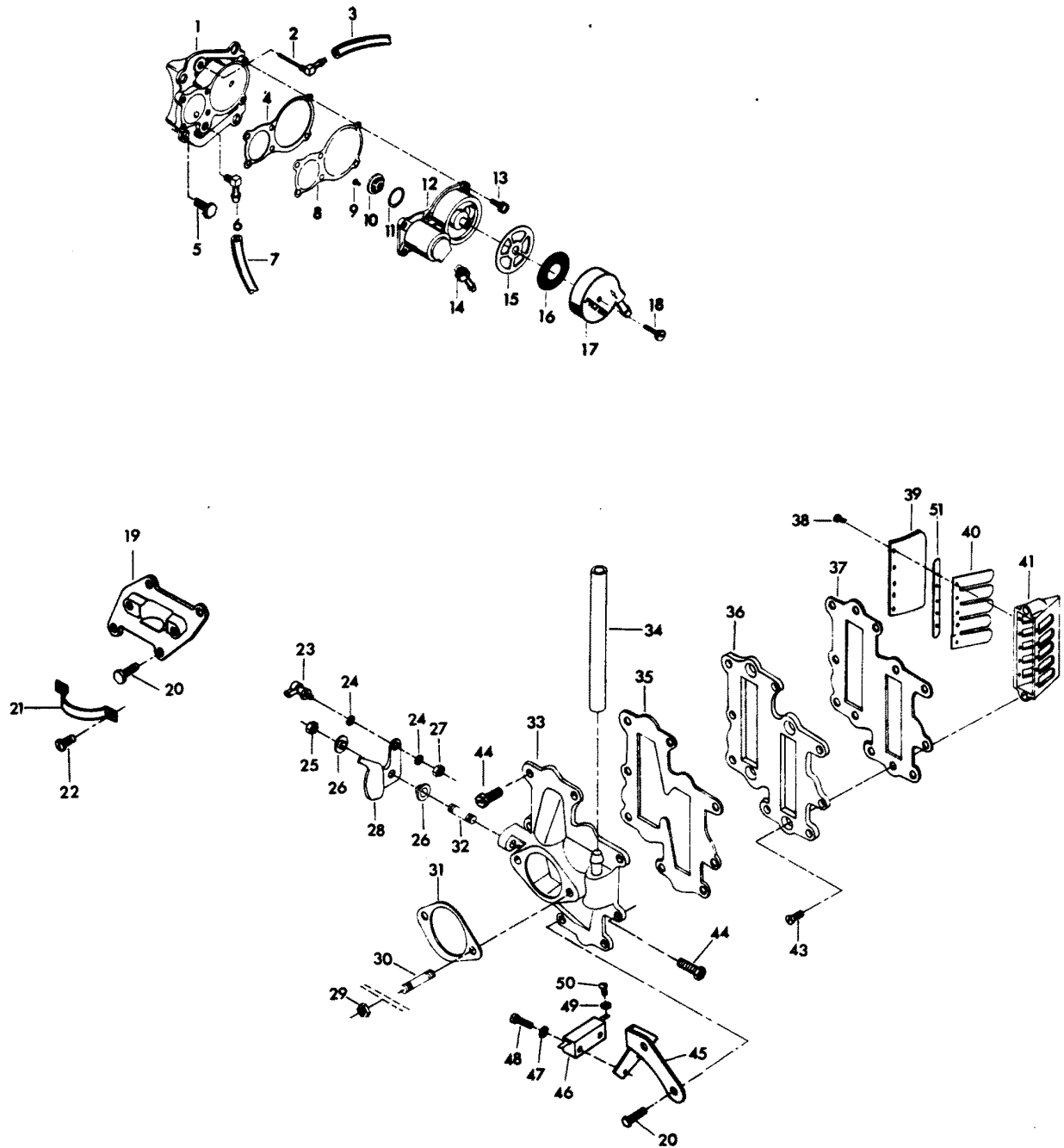


# FUEL PUMP AND REED PLATE

REF. NO.	PART NO.	SYM.	QTY.	DESCRIPTION
1	FA439746		1	FUEL PUMP COVER
2	F404314		1	ELBOW, FUEL PUMP COVER
3	F441754-1		1	HOSE
4	F438760		1	FUEL PUMP GASKET
5	F1540		4	HEX CAP SCREW, 1/4 - 20 X 5/8
6	F84314-2		1	ELBOW
7	F89758		1	FUEL PUMP AIR HOSE - TOP
8	F438747		1	FUEL PUMP DIAPHRAGM
9	F1860		2	RD HD SCREW, 6 - 32 X 1/4
10	F177330		3	FUEL PUMP VALVE
11	F84792		1	GASKET, CENTER FUEL PUMP VALVE
12	FA438431		1	FUEL PUMP BODY W/VALVES
13	F1108		6	FILL HD SCREW, 1/4 - 20 X 3/4
14	F438801		1	FITTING
15	F438617		1	FUEL SEDIMENT BOWL GASKET
16	F438653		1	FUEL SEDIMENT BOWL SCREEN
17	F438500		1	FUEL SEDIMENT BOWL
18	F438165		1	SCREW, FUEL PUMP BOWL
19	F372958		1	CHOKE BRACKET
20	F1532		6	HEX HD SCREW, 1/4 - 20 X 1
21	F85317-1		1	SOLENOID CLAMP
22	F1545		2	SCREW, 1/4 - 20 X 1/2
23	817747--1		1	BALL JOINT W/STUD
24	F8058		2	INTERNAL TOOTH LOCKWASHER
25	F1910		1	STOP NUT, 1/4 - 20
26	F269319		2	THROTTLE CAM BEARING
27	F1513		1	HEX NUT, 10 - 32
28	F85192-1		4	THROTTLE CAM
29	F1515		4	HEX NUT, 5/16 - 18
30	F40209		4	CARBURETOR STUD
31	F85906		2	CARBURETOR GASKET
32	F433209-1		1	THROTTLE CAM STUD
33	FA178167		1	CARBURETOR ADAPTER, LOWER W/FITTING AND STUDS
-	<b>FA178157</b>		<b>1</b>	<b>CARBURETOR ADAPTER, UPPER W/FITTING AND STUDS (NOT SHOWN)</b>
34	32-77653-77		1	BALANCE TUBE
35	F178168-1		2	GASKET, CARBURETOR ADAPTER
36	F178404-1		2	DEFLECTOR PLATE
37	F406406		2	GASKET DEFLECTOR PLATE
38	F1755		40	ROUND HD SCREW W/LOCKWASHER, 6 - 32 X 1/4
39	F85161-1		8	REED STOP
40	F530160		8	REED (5 PETAL)
41	F3A523158		4	REED PLATE W/REEDS, REED STOPS AND SCREWS

CONTINUED ON NEXT PAGE ➡

# FUEL PUMP AND REED PLATE





## FUEL PUMP AND REED PLATE

REF. NO.	PART NO.	SYM.	QTY.	DESCRIPTION
43	F1831		8	FLAT HD SCREW, 1/4 - 20 X 5/8
44	F1533		10	HEX HD SCREW, 1/4 - 20 X 7/8
45	F489551		1	BRACKET NEUTRAL INTERLOCK SWITCH
46	F84449		1	INTERLOCK SWITCH
47	F8088		2	PLAIN WASHER
48	F2016		2	FILL HD SCREW, 6 - 32 X 7/8
49	F1704		2	INTERNAL TOOTH LOCKWASHER
50	F1645		2	RD HD SCREW, 6 - 32 X 1/4
51	F523451		8	SPACER, REED STOP

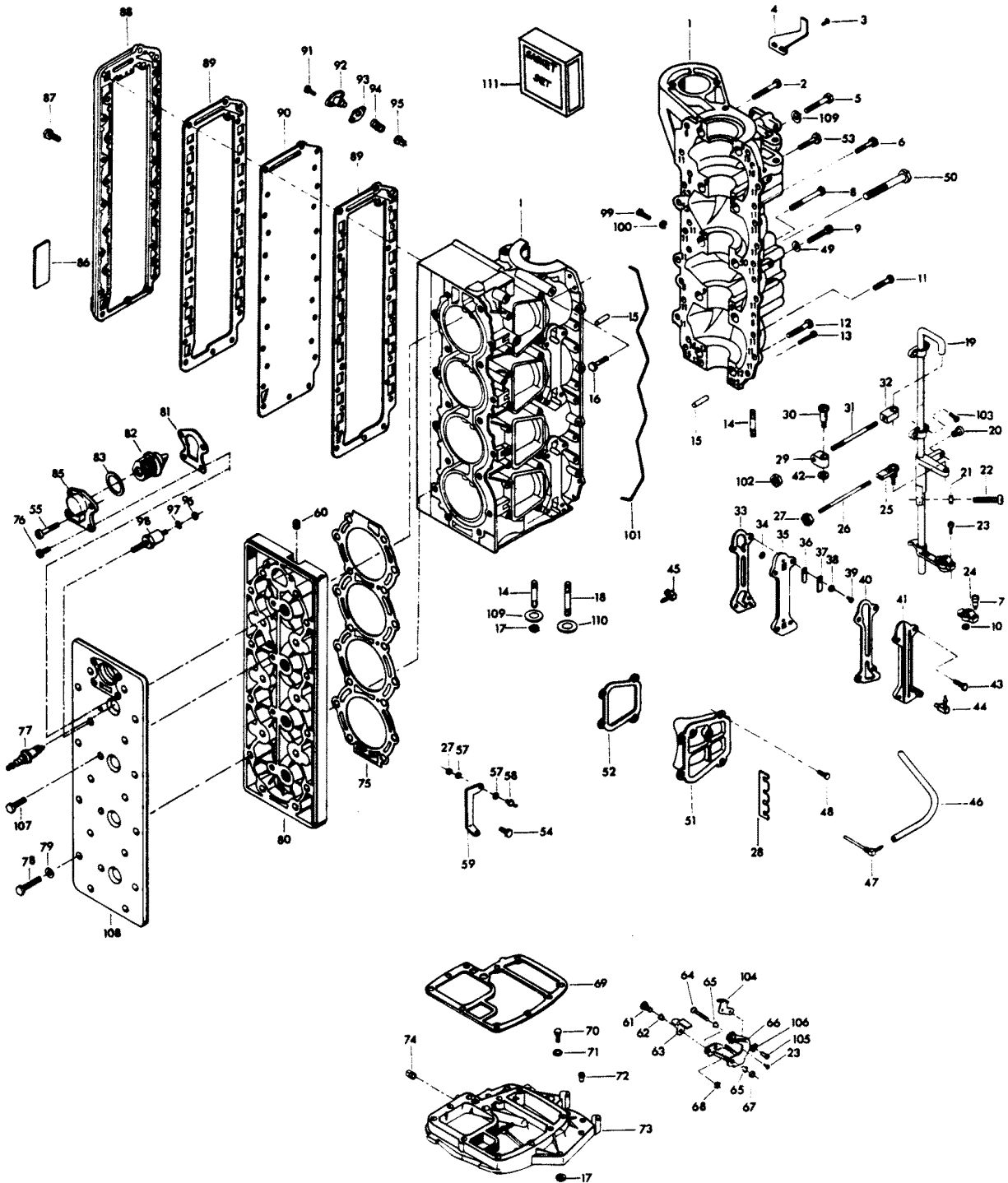


# POWER HEAD

REF. NO.	PART NO.	SYM.	QTY.	DESCRIPTION
1	A523010-1		1	CYLINDER W/CRANKCASE COVR, PARTNG LINE SEAL, SCRWS & DOWL PNS
-	<b>FC552010</b>		<b>1</b>	<b>SHORT BLOCK. INCLUDES ALL ITEMS MARKED WITH AN ASTERISK (*). ALSO REFER TO CRANKSHAFT PAGE.</b>
2	F1874		1	HEX HD SCREW, 3/8 - 16 X 3 1/8
3	F1760		2	PAN HD SCREW, 10 - 24 X 3/8
4	FA480894		1	TIMING POINTER
5	F1009		1	HEX HD SCREW, 3/8 - 16 X 2 3/4
6	F1533		3	HEX HD SCREW, 1/4 - 20 X 7/8
7	F405457		1	PIVOT SCREW
8	F1699		1	HEX HD SCREW, 1/4 - 20 X 1 1/8
9	F1253		4	HEX SOCKET HD CAP SCREW, 3/8 - 16 X 2
10	F7008		1	ELASTIC STOP NUT
11	F1535		16	HEX HD SCREW, 1/4 - 20 X 3/4
12	F1872		2	HEX CAP SCREW, 3/8 - 16 X 1 3/4
13	F1099		2	FILL HD SCREW, 1/4 - 20 X 1 1/4
14	F85859		4	STUD
15	F8563		2	DOWEL PIN
16	F1532		2	HEX HD SCREW, 1/4 - 20 X 1
17	F7004		10	STOP NUT, 3/8 - 16
18	F85211		6	STUD
19	817932A6		1	TOWERSHAFT W/SWIVEL, BEARINGS AND SCREWS
20	F1727		1	PLASTIC RIVET
21	F1341		1	HEX NUT, 1/4 - 20
22	F1052		1	FILL HD SCREW, 1/4 - 20 X 1
23	F1556		2	FILL HD SCREW W/LOCKWASHER, 10 - 24 X 3/8
24	FK405020		2	SWIVEL W/CLAMP, SHOULDER SCREW AND NUT
25	817747--1		1	BALL JOINT W/STUD
26	F85502		1	THROTTLE LINK
27	F1513		4	HEX NUT, 10 - 32
28	F523834		1	CLIP, SPARK PLUG WIRE
29	F85035		1	DISTRIBUTOR, CONTROL ROD END
30	F85026		1	SWIVEL
31	F85445		1	CONTROL ROD
32	F85036		1	TOWERSHAFT CONTROL ROD END
33	F84748-3		2	GASKET
34	F93811		4	SCREEN
35	F2A476757		2	CYLINDER DRAIN REED PLATE W/REEDS, STOPS AND SCREWS
36	F18160-2		4	CYLINDER DRAIN REED
37	F93920		4	REED STOP
38	F8003		4	PLAIN WASHER
39	F1285		4	PAN HD SCREW, 4 - 40 X 3/16
40	F84472-5		2	GASKET, CYLINDER DRAIN COVER

CONTINUED ON NEXT PAGE ➡

# POWER HEAD

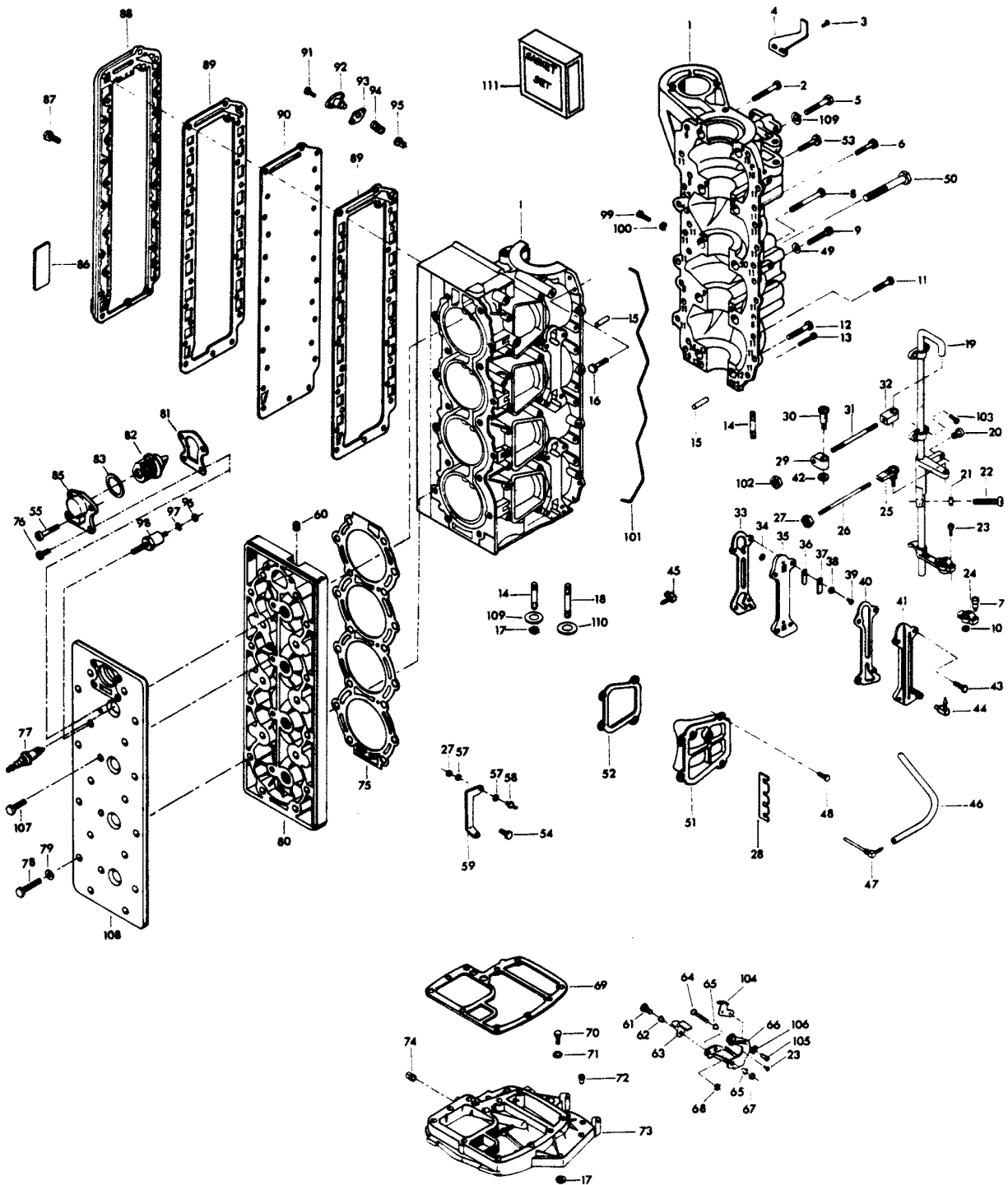


# POWER HEAD

REF. NO.	PART NO.	SYM.	QTY.	DESCRIPTION
41	F406471-1		2	CYLINDER DRAIN COVER
42	F1935		1	PLAIN WASHER
43	F1532		8	HEX HD SCREW, 1/4 - 20 X 1
44	22-818103--1		1	ELBOW, CYLINDER DRAIN LOWER
-	<b>F404801</b>		<b>1</b>	<b>ELBOW, CYLINDER DRAIN UPPER (NOT SHOWN)</b>
45	F84314-2		1	ELBOW
46	F406754-1		1	HOSE
47	F404314		1	FITTING
48	F1540		10	HEX CAP SCREW, 1/4 - 20 X 5/8
49	F8104		4	PLAIN WASHER
50	F1873		2	HEX CAP SCREW, 3/8 - 16 X 3
51	FA411222		3	TRANSFER PORT COVER
52	F40223		4	GASKET, TRANSFER PORT COVER
53	F1534		2	HEX HD SCREW, 1/4 - 20 X 7/8
54	F1535		2	HEX CAP SCREW, 1/4 - 20 X 3/4
55	F1099		2	FILL HD SCREW, 1/4 - 20 X 1 1/4
57	F8058		4	INTERNAL TOOTH LOCKWASHER
58	F98273		2	ROD END CONNECTOR STUD
59	85872---1		1	BRACKET
60	F19109		1	PLUG
61	F369887		1	SHOULDER SCREW
62	F369610		1	BEARING
63	F369977-1		1	INTERLOCK ARM
64	F1885		1	HEX BOLTS, S.S., 5/16 - 18 X 4 1/4
65	F85610		2	BEARING
66	FA480876		1	GEAR SHIFT ARM W/SWIVL, BEARNGS, INTRLOCK ARM & SHOULDR SCRW
67	F2108		1	STOP NUT, 5/16 - 18
68	F1832		1	STOP NUT, 1/4 - 20
69	F85279-2		1	GASKET, CYLINDER EXHAUST UPPER
70	F1869		6	HEX CAP SCREW, 3/8 - 16 X 1 1/4
71	F1703		6	LOCKWASHER
72	F40689-1		1	BEARING
73	817788A3		1	SPACER PLATE W/PLUG
74	F2090		1	PLUG
75	F476529		1	CYLINDER HEAD GASKET
76	F1107		2	SLOTTED FILL HD CAP SCREW, 1/4 - 20 X 3/4
77	33-97180		4	SPARK PLUG (CHAMPION L20V) - USA
-	<b>C523227</b>		<b>4</b>	<b>SPARK PLUG (CHAMPION QL-76V) - CANADA</b>
78	F1049		18	HEX CAP SCREW, 5/16 - 18 X 2 5/8
79	F1987		18	PLAIN WASHER
80	900-817832A2		1	CYLINDER HEAD
81	F476067		1	GASKET

CONTINUED ON NEXT PAGE ➡

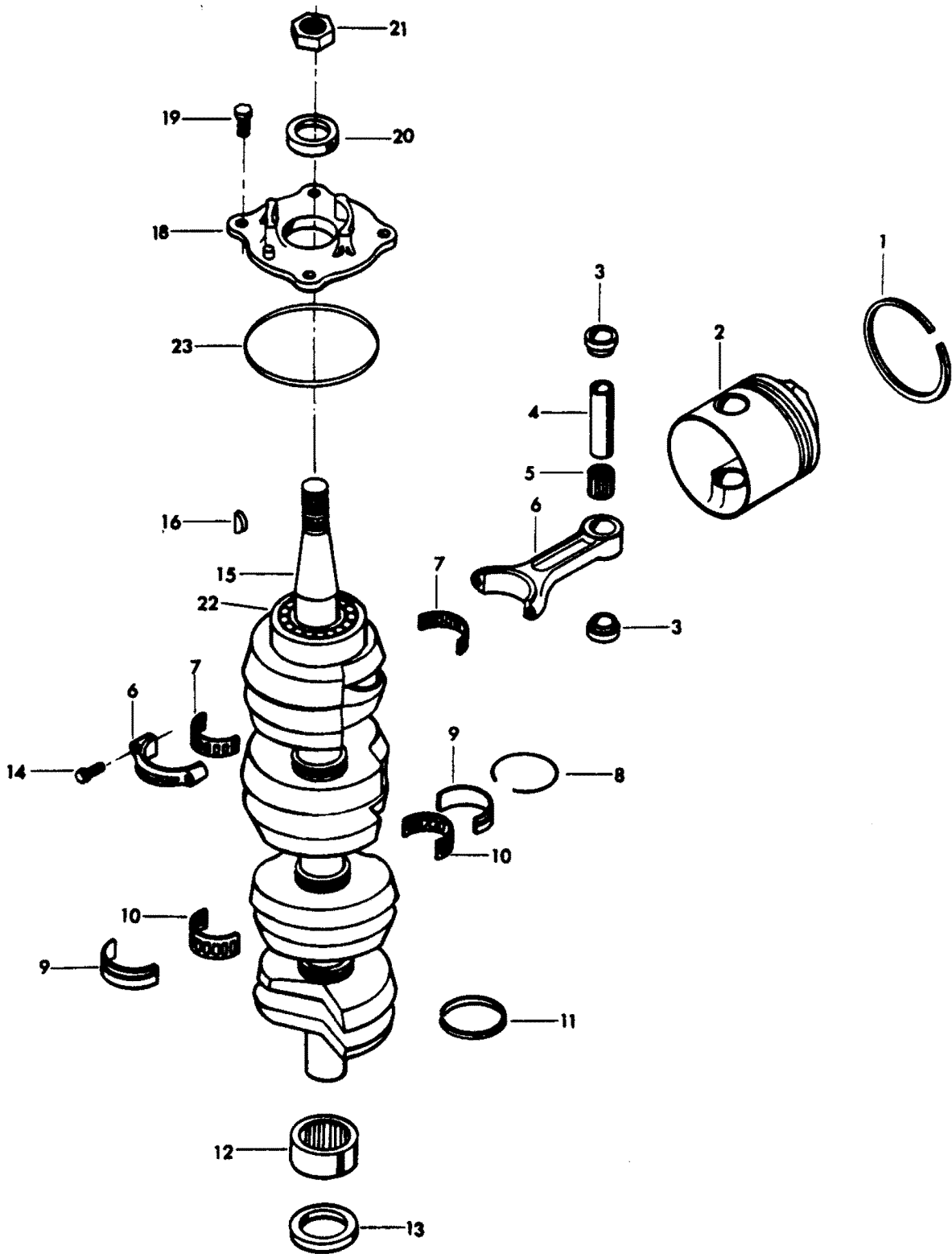
# POWER HEAD



# POWER HEAD

REF. NO.	PART NO.	SYM.	QTY.	DESCRIPTION
82	F528068		1	THERMOSTAT
83	F84504		1	GROMMET (THERMOSTAT)
85	F476066-1		1	THERMOSTAT COVER
86	F438398		1	DECAL, WIRING - USA
-	<b>FC438398</b>		<b>1</b>	<b>DECAL WIRING - CANADA</b>
87	F1916		27	HEX BOLT, 1/4 - 20 X 1 1/8
88	F372152-1		1	EXHAUST PORT COVER
89	F372154-1		2	GASKET, EXHAUST PORT PLATE
90	F372151-1		1	EXHAUST PORT PLATE
91	F1950		2	HEX CAP SCREW, 10 - 24 X 5/8
92	F438066		1	BY-PASS VALVE COVER
93	F85762		1	BY-PASS VALVE COVER GASKET
94	F404268		1	BY-PASS VALVE SPRING
95	F85916-1		1	BY-PASS VALVE
96	F1647		1	HEX NUT, 8 - 32
97	F8056		1	LOCKWASHER
98	87-817778A1		1	THERMOSWITCH <b>WILLUS. 96, 97 ORIGINAL FORCE P/N A 335449 - 1</b>
99	F2000		1	HEX CAP SCREW, 5/16 - 18 X 3/4
100	F8096		1	SPRING LOCKWASHER
101	F184122-1		1	SEAL, PARTING LINE
102	F2015		1	HEX NUT, 1/4 - 28
103	F1475		4	FILL HD SCREW, 10 - 24 X 1/2
104	F480107-1		1	CAM STARTER INTERLOCK
105	F2089		2	SLOTTED PAN HD M. SCREW, 10 - 24 X 5/16
106	F2042		2	PLAIN WASHER
107	F1533		4	HEX CAP SCREW, 1/4 - 20 X 7/8
108	F528995		1	COVER, CYLINDER HEAD
109	F8095		6	PLAIN WASHER
110	F8038		4	PLAIN WASHER
111	FG1019		1	GASKET SET <b>INCLUDES ITEMS BELOW</b>
-	<b>F40223</b>		<b>4</b>	<b>GASKET, TRANSFER PORT COVER</b>
-	<b>F84472-5</b>		<b>2</b>	<b>GASKET, CYLINDER DRAIN COVER</b>
-	<b>F84748-3</b>		<b>2</b>	<b>GASKET, CYLINDER DRAIN REED PLATE</b>
-	<b>F85279-2</b>		<b>1</b>	<b>GASKET, CYLINDER EXHAUST, UPPER</b>
-	<b>F85762</b>		<b>1</b>	<b>GASKET, BY-PASS VALVE</b>
-	<b>F85906</b>		<b>2</b>	<b>GASKET, CARBURETOR</b>
-	<b>F178168-1</b>		<b>2</b>	<b>GASKET, CARBURETOR ADAPTER</b>
-	<b>F184122-1</b>		<b>1</b>	<b>PARTING LINE SEAL</b>
-	<b>F372154-1</b>		<b>2</b>	<b>GASKET, EXHAUST PORT PLATE</b>
-	<b>F406406</b>		<b>2</b>	<b>GASKET, DEFLECTOR PLATE</b>
-	<b>F476067</b>		<b>1</b>	<b>GASKET, THERMOSTAT COVER</b>
-	<b>F476529-1</b>		<b>1</b>	<b>GASKET, CYLINDER HEAD</b>

# CRANKSHAFT AND PISTON GROUP

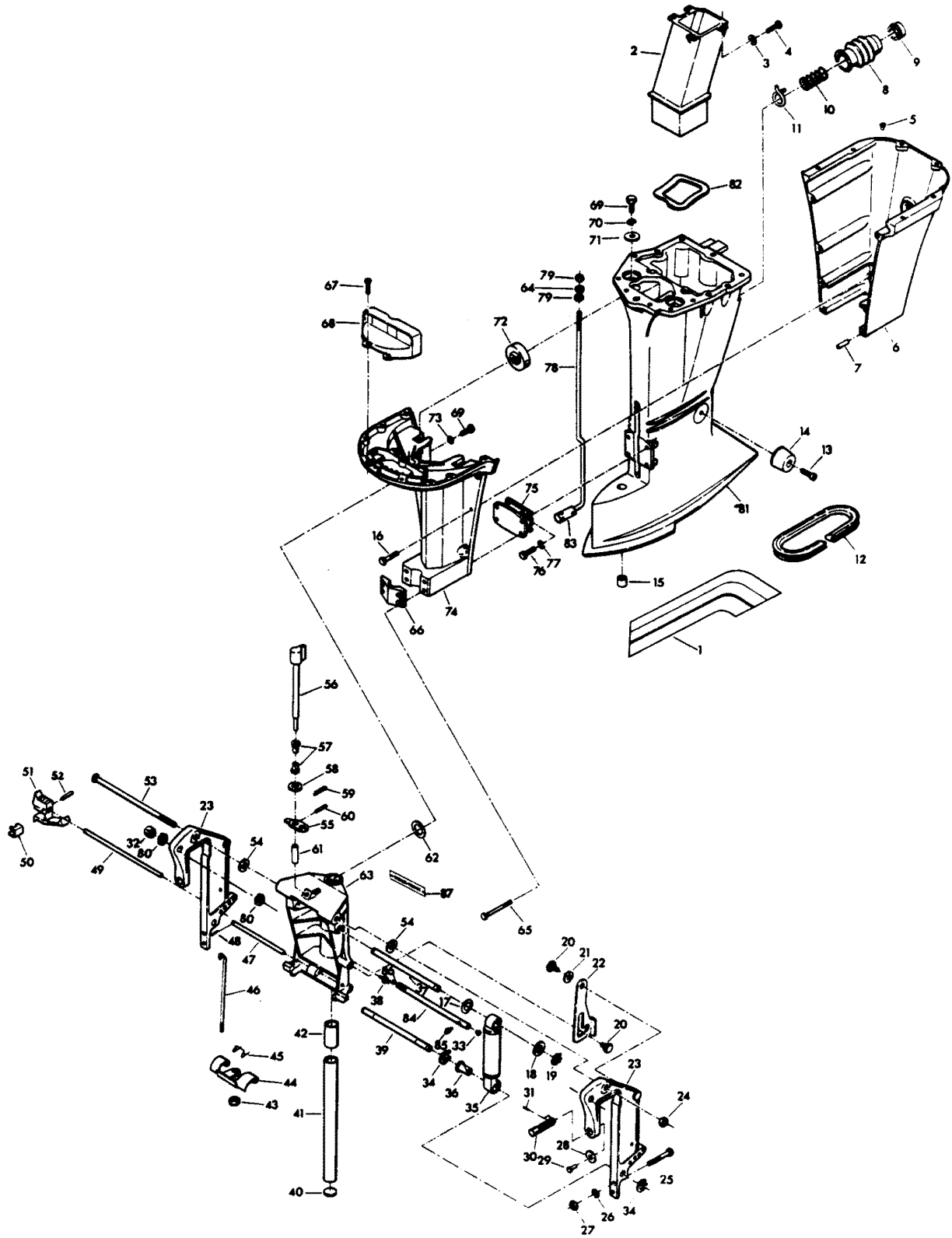




# CRANKSHAFT AND PISTON GROUP

REF. NO.	PART NO.	SYM.	QTY.	DESCRIPTION
1	FA335260		4	PISTON RING SET (3 PER SET)
-	<b>FSA335260</b>		<b>4</b>	<b>PISTON RING (3 PER SET) .010 OVERSIZE (NOT SHOWN)</b>
-	<b>39-818110A1</b>		<b>4</b>	<b>PISTON RING (3 PER SET) .030 OVERSIZE (NOT SHOWN)</b>
2	700-F372015-3		4	PISTON
-	<b>700-817988A2</b>		<b>4</b>	<b>PISTON .010 OVERSIZE (NOT SHOWN)</b>
-	<b>700-818111A2</b>		<b>4</b>	<b>PISTON .030 OVERSIZE (NOT SHOWN)</b>
3	F335215		8	SPACER, PISTON PIN (2 PER PERSON)
4	F85017		4	PISTON PIN
5	F335217-1		4	BEARING, PISTON PIN (26 PER SET)
6	600-818052A4		4	CONNECTING ROD W/CAP AND SCREWS
7	FK85228-1		4	BEARING CAGE W/ROLLER
8	F85410		3	SNAP RING
9	FA85655-1		3	CRANKSHAFT MAIN BEARING RACE W/SNAP RING
10	F85571		3	BEARING CAGE W/ROLLER
11	F316579		3	SEAL, CRANKCASE
12	FA523014		1	CRANKSHAFT LOWER MAIN BEARING <b>W/ITEM 13</b>
13	F523146		1	SEAL, CRANKSHAFT LOWER
14	F85634-2		8	CONNECTING ROD SCREW
15	400-817735A4		1	CRANKSHAFT W/BEARING
16	F85498		1	FLYWHEEL KEY
18	31-817785A2		1	CRANKSHAFT BEARING CAGE W/SEAL
19	F1867		4	HEX CAP SCREW, 3/8 - 16 X 1
20	F84146-2		1	SEAL
21	F1968		1	FLYWHEEL NUT
22	F284659-2		1	BEARING, CRANKSHAFT UPPER MAIN
23	F84278		1	SEAL
-	<b>F2067</b>		<b>1</b>	<b>PLASTISOL CAP (NOT SHOWN) FOR EXPOSED THREADS OF CRANKSHAFT</b>

# MOTOR LEG

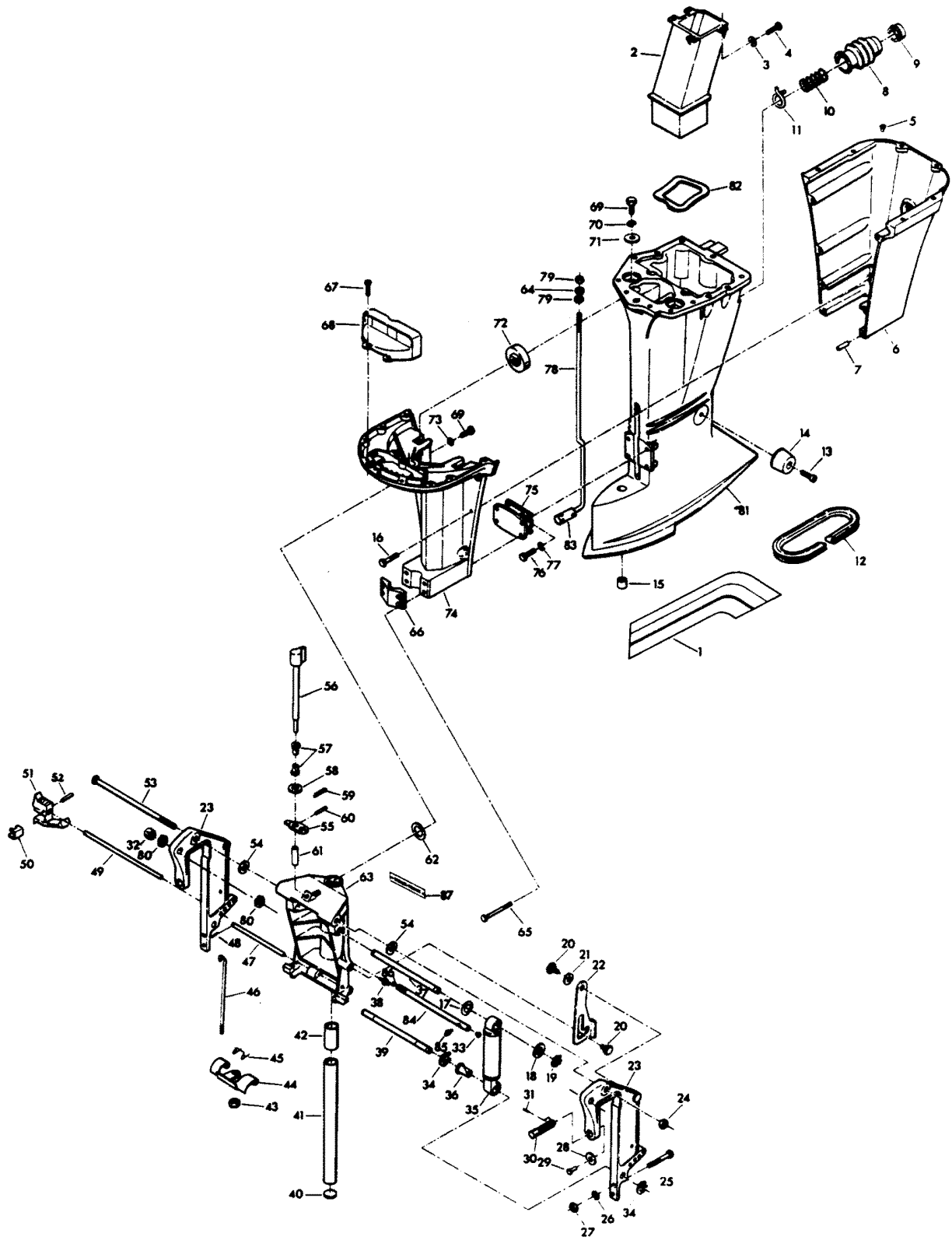


# MOTOR LEG

REF. NO.	PART NO.	SYM.	QTY.	DESCRIPTION
1	A578392		1	DECAL, LEG - PORT
-	<b>A578391</b>		<b>1</b>	<b>DECAL, LEG - STARBOARD</b>
2	F85660-1		1	EXHAUST TUBE
3	F8083		4	SPRING LOCKWASHER
4	F1536		4	HEX SLOT HD SCREW, 1/4 - 20 X 3/4
5	F1729		2	PLUG
6	817931A7		1	MOTOR LEG COVER, REAR
7	F1664		2	SPRING PIN
8	F85130		1	BOOT IDLE EXHAUST
9	F85258		1	INSERT
10	F85380		1	SPRING
11	F85772		1	CLAMP
12	F178323		1	SEAL, MOTOR LEG
13	F1263		2	HEX SOCKET HD CAP SCREW, 5/16 - 18 X 9/16
14	F438962		2	SHOCK MOUNT LOWER REAR
15	F338618-1		1	SEAL GEAR SHIFT ROD
16	F2030		6	HEX HD M. SCREW, 1/4 - 20 X 1 1/4
17	F1711		2	SPRING BOWED WASHER
18	F1710		2	PLAIN WASHER
19	F178208		2	RETAINING RING
20	F85350-1		2	TILT STOP PIVOT
21	F1666		1	SPRING BOWED WASHER
22	F85541-1		1	TILT LOCK
23	1400-817958A6		2	STERN BRACKET
24	F7012		1	STOP NUT
25	F1593		2	HEX HD SCREW, 3/8 - 16 X 3
26	F1904		2	PLAIN WASHER
27	F1346		2	HEX NUT
28	F84074		2	CLAMP SCREW FOOT
29	F353480		2	STUD
30	F474073-1		2	CLAMP SCREW
31	F8538		2	SPRING PIN
32	F9018		1	CAP
33	F9052		1	PLUG
34	F178173		4	RETAINING RING
35	FA178962		2	SHOCK ABSORBER W/BUSHING
36	F178362		2	BEARING
37	F178889		1	SHAFT, SHOCK MOUNT UPPER
38	F213274		3	GREASE FITTING
39	F178632		1	SHAFT, SHOCK MOUNT LOWER
40	F1528		1	WELCH PLUG
41	FA85019		1	KINGPIN W/PLUG
42	F438169		2	BEARING

CONTINUED ON NEXT PAGE ➡

# MOTOR LEG

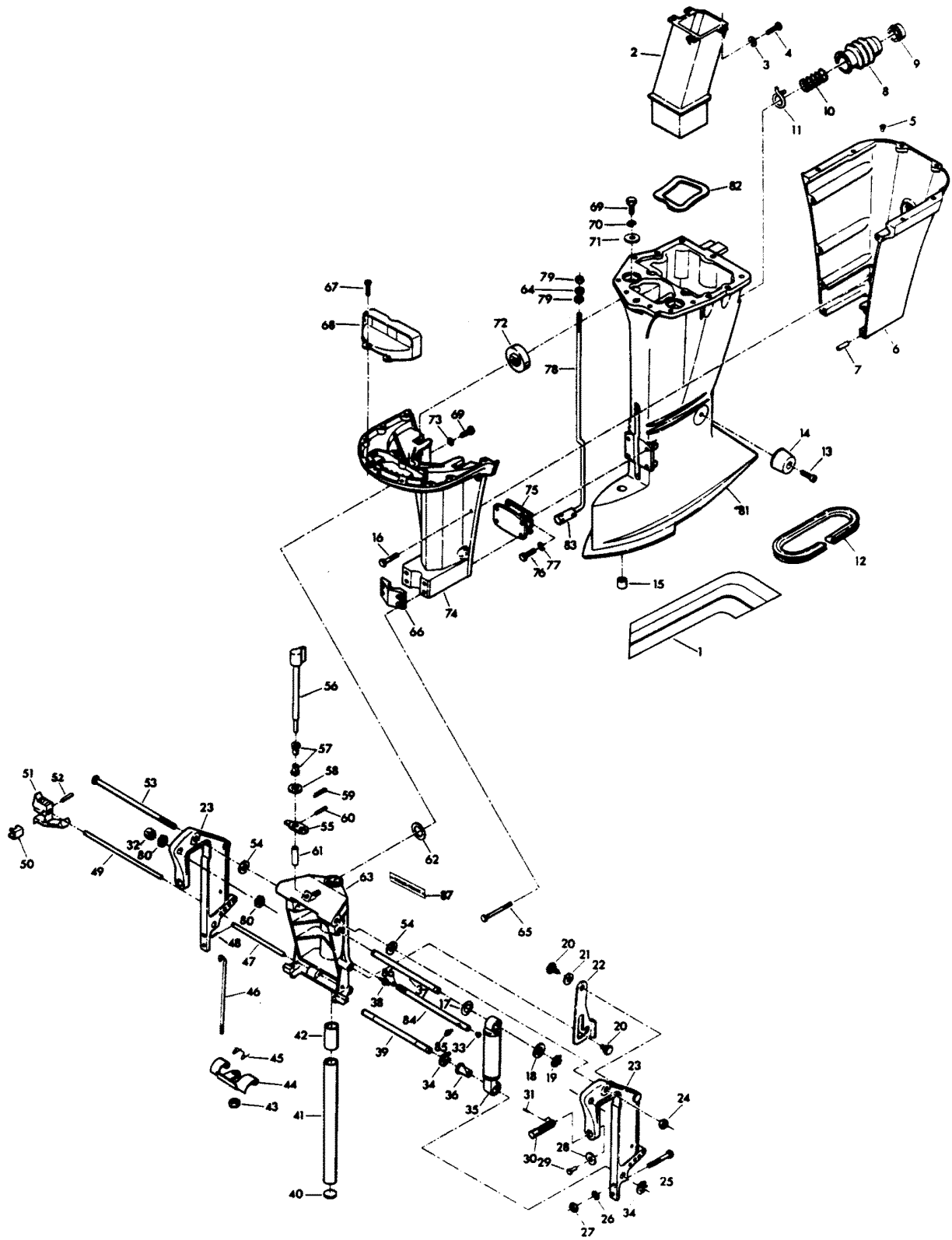


# MOTOR LEG

REF. NO.	PART NO.	SYM.	QTY.	DESCRIPTION
43	F1669		1	LOCK NUT
44	F369349		1	REVERSE LOCK
45	F85300		1	REVERSE LOCK SPRING
46	F369510		1	LINK REVERSE LOCK
47	F177350		1	REVERSE LOCK PIN
48	F1744		1	SPRING PIN
49	FA438113		1	STERN BRACKET LOCK BAR W/HANDLE
50	F286461		1	SPRING, LOCK BAR HANDLE
51	F433114		1	HANDLE, LOCK BAR
52	F1744		1	SPRING PIN
53	F85037-1		1	STERN BRACKET PIVOT BOLT
54	F84286-1		4	FRICITION WASHER
55	F369364		1	REVERSE LOCK ARM
56	F369827		1	HANDLE AND SHAFT
57	F197813		2	BEARING
58	F8094		1	PLAIN WASHER
59	F1014		1	COTTER PIN
60	F1836		1	SPRING PIN
61	F483884		1	BEARING
62	F84011		1	WASHER
63	817783A5		1	SWIVEL BRACKET W/BEARINGS AND GREASE FITTINGS
64	F1987		1	PLAIN WASHER
65	F1696		4	HEX BOLT, 5/16 - 18 X 1 3/4
66	F85606		1	KINGPIN CAP
67	F1912		4	HEX HD SCREW, 10 - 24 X 1/2
68	F85779-1		1	BAFFLE, AIR INTAKE
69	F1871		4	HEX HD SCREW, 3/8 - 16 X 3/4
70	F8039		2	PLAIN WASHER
71	FA85355-1		2	WASHER
72	F85965		2	SHOCK MOUNT UPPER
73	F1703		2	SPRING LOCKWASHER
74	A85135		1	LEG COVER FRONT
75	F438346		1	SHOCK MOUNT LOWER
76	F1822		4	HEX BOLT, 5/16 - 18 X 7/8
77	F8096		4	SPRING LOCKWASHER
78	F85615		1	GEAR SHIFT ROD UPPER
79	F2108		2	LOCK NUT
80	F523280		1	NUT, STEERING SUPPORT TUBE
81	F523133-2		1	MOTOR LEG
82	F439736		1	SEAL, EXHAUST TUBE
83	F85704		1	COUPLER, GEAR SHIFT ROD
84	F511125-2		1	TUBE, STEERING SUPPORT
85	F523274		1	GREASE FITTING

CONTINUED ON NEXT PAGE ➡

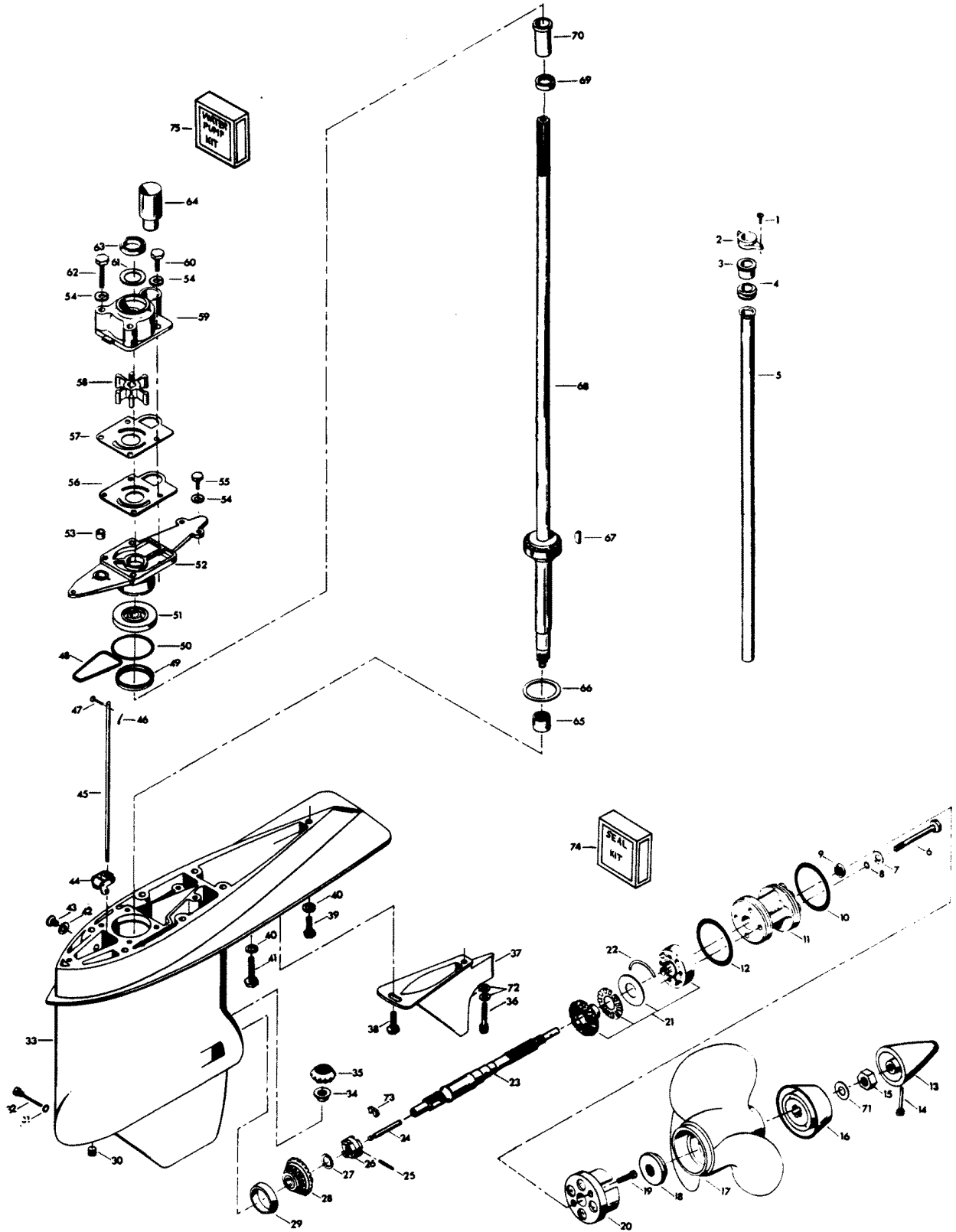
# MOTOR LEG



# MOTOR LEG

REF. NO.	PART NO.	SYM.	QTY.	DESCRIPTION
86	F316599		1	SEAL, STEERING SUPPORT TUBE
87	F529390		1	DECAL, REVERSE LOCK - USA
-	<b>FC529390</b>		<b>1</b>	<b>DECAL, REVERSE LOCK - CANADA (NOT SHOWN)</b>
88	F523300-1		1	SPRING
89	F2093		2	STOP NUT
90	F8038		2	PLAIN WASHER
91	F523881-1		1	LINK STEERING
92	F523930		1	RETAINER STUD
93	F523273		1	STUD STEERING BALL
94	F1280		1	PAN HD SCREW
95	F8080		1	HELICAL SPRING LOCKWASHER

# GEAR HOUSING



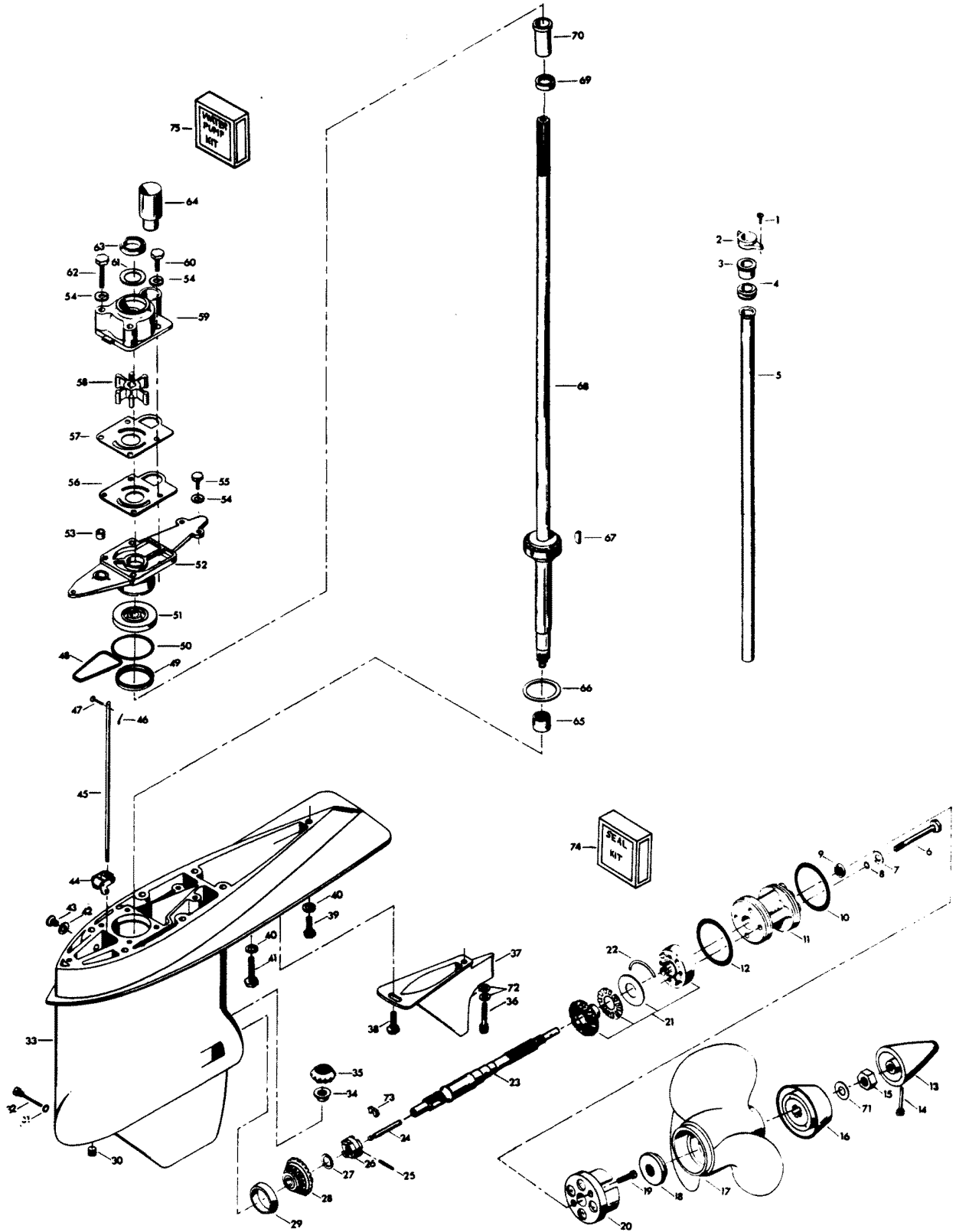


# GEAR HOUSING

REF. NO.	PART NO.	SYM.	QTY.	DESCRIPTION
1	F1536		2	HEX CAP SCREW, 1/4 - 20 X 3/4
2	F85117		1	BRACKET, WATER LINE
3	F84342		1	SEAL, INLET WATER LINE, UPPER
4	F523899		1	GROMMET, WATER LINE
5	F523244		1	INLET WATER LINE
6	F1885		4	HEX CAP SCREW, 5/16 - 18 X 4 1/4
7	F1907		4	PLAIN WASHER
8	F50342-1		4	SEAL, "O" RING
9	F506118		1	SEAL, PROPELLER SHAFT
10	F24278		1	SEAL, "O" RING PROPELLER SHAFT SPOOL
11	F2A523239		1	SPOOL, PROPELLER SHAFT BEARING W/SEALS
12	F84305		1	SEAL, "O" RING PROPELLER SHAFT SPOOL
13	F523094-2		1	PROPELLER NUT
14	F498891		1	PIN, PROPELLER NUT RETAINING
15	F1788		1	STOP NUT
16	F532299		1	WASHER
17	FPS526		1	PROPELLER (ACCESSORY ITEM)
18	F523099-1		1	SPACER, PROPELLER
19	F1577		2	FILL HD SCREW, 1/4 - 20 X 3/4
20	FA523485		1	ANTICORROSION ANODE
21	F2A498662		1	BEVEL GEAR REAR W/BEARING CAGE SPACER AND BEARING
22	F523411		2	RETAINING RING, BEARING CAGE
23	FA523098		1	PROPELLER SHAFT
24	F84871-1		1	PIN, GEAR SHIFT W/YOKE
25	F1713		1	SPRING PIN
26	F84521-1		1	CLUTCH
27	F1936		A/R	SPACER, BEVEL GEAR FRONT .059
-	<b>F1937</b>		<b>A/R</b>	<b>SPACER, BEVEL GEAR FRONT .062</b>
-	<b>F1938</b>		<b>A/R</b>	<b>SPACER, BEVEL GEAR FRONT .065</b>
-	<b>F1939</b>		<b>A/R</b>	<b>SPACER, BEVEL GEAR FRONT .068</b>
-	<b>F1940</b>		<b>A/R</b>	<b>SPACER, BEVEL GEAR FRONT .071</b>
-	<b>F1941</b>		<b>A/R</b>	<b>SPACER, BEVEL GEAR FRONT .074</b>
-	<b>F1942</b>		<b>A/R</b>	<b>SPACER, BEVEL GEAR FRONT .077</b>
-	<b>F2113</b>		<b>A/R</b>	<b>SPACER, BEVEL GEAR FRONT .080</b>
-	<b>F2114</b>		<b>A/R</b>	<b>SPACER, BEVEL GEAR FRONT .083</b>
-	<b>F2115</b>		<b>A/R</b>	<b>SPACER, BEVEL GEAR FRONT .086</b>
-	<b>F2116</b>		<b>A/R</b>	<b>SPACER, BEVEL GEAR FRONT .089</b>
-	<b>F2121</b>		<b>A/R</b>	<b>SPACER, BEVEL GEAR FRONT .057</b>
-	<b>F2122</b>		<b>A/R</b>	<b>SPACER, BEVEL GEAR FRONT .054</b>
28	F2A498023		1	BEVEL GEAR FRONT W/BEARING
29	F523813		1	BEARING CUP
30	F19109		1	PLUG

CONTINUED ON NEXT PAGE ➡

# GEAR HOUSING

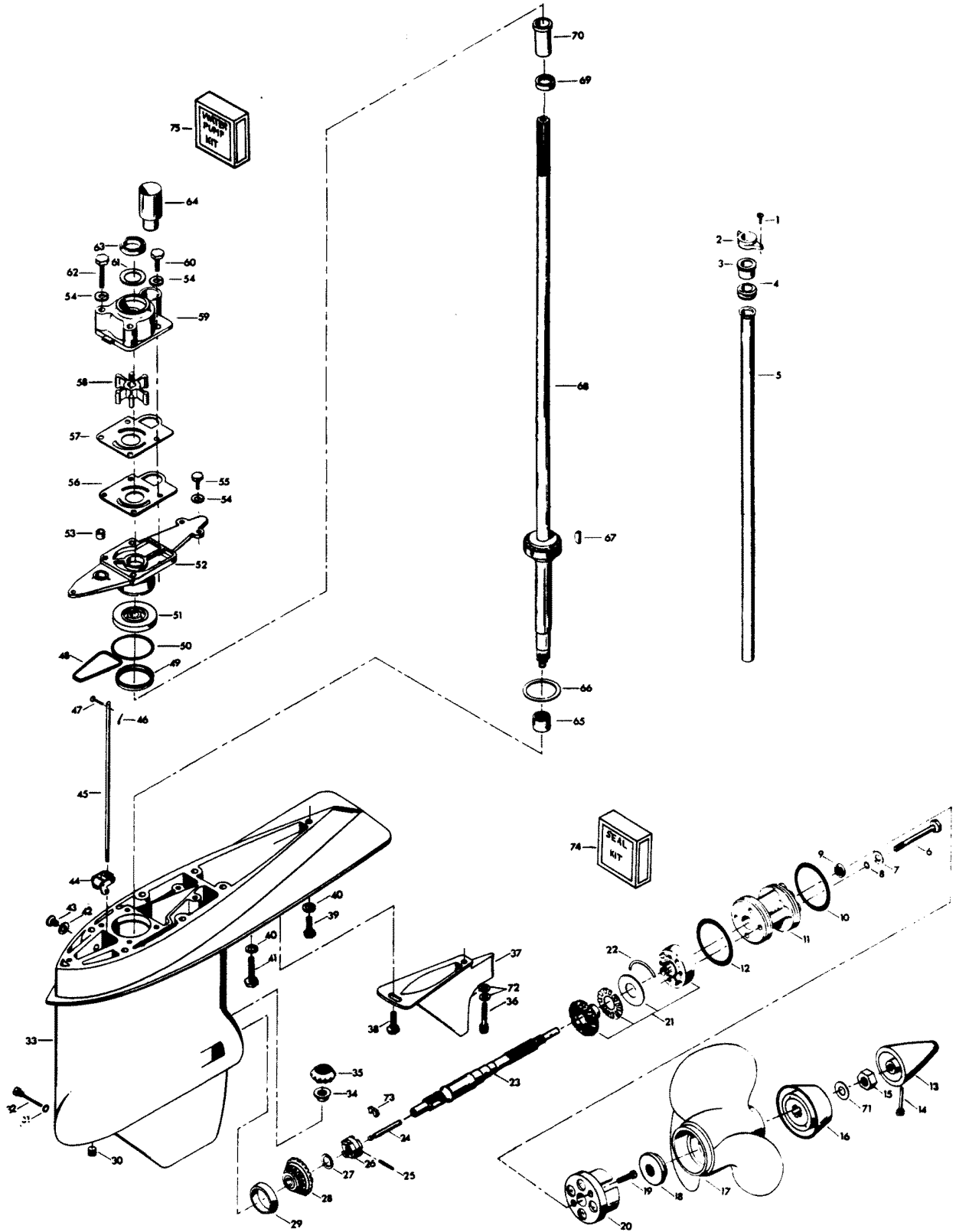


# GEAR HOUSING

REF. NO.	PART NO.	SYM.	QTY.	DESCRIPTION
30	F498618		1	SEAL
32	F498891		1	PIN, GEAR SHIFT ARM
33	FA523054		1	GEAR HOUSING W/BEARING CUP, DRIVESHAFT BEARING LOWER, PLUGS & WASHERS
-	<b>FC550054</b>		<b>1</b>	<b>GEAR HOUSING COMPLETE (INCLUDES ALL ITEMS MARKED WITH AN ASTERISK (*)).</b>
34	F523188		1	NUT, BEVEL PINION
35	FA498266		1	BEVEL PINION GEAR W/CRUSH RING AND SHIMS
36	F1994		1	HEX SOCKET HD CAP SCREW, 5/16 - 18 X 1
37	F523116		1	EXHAUST SNOUT
38	F438930		1	RETAINER, SNOUT
39	F1858		1	HEX CAP SCREW, 5/16 - 18 X 1
40	F8096		7	SPRING LOCKWASHER
41	F1491		6	HEX HD SCREW, 5/16 - 18 X 3/4
42	F8077		2	WASHER, GEAR HOUSING PLUG
43	F50109		2	PLUG, GEAR HOUSING
44	FA84621-1		1	COUPLING, GEAR SHIFT ARM W/BUSHING
45	F523705		1	GEAR SHIFT ROD LOWER
46	F1015		1	COTTER PIN
47	F85372		1	PIN, GEAR SHIFT ROD LOWER
48	F523555		1	SEAL, "O" RING, GEAR HOUSING COVER
49	F523961		1	CRUSH RING
50	F74305		1	SEAL, DRIVESHAFT BEARING CAGE
51	F84307-1		1	SEAL, DRIVESHAFT
52	FA523706		1	GEAR HOUSING COVER W/SEALS
53	F338618-1		1	SEAL, GEAR SHIFT ROD
54	F8083		7	SPRING LOCKWASHER
55	F1534		3	HEX CAP SCREW, 1/4 - 20 X 7/8
56	F523031		1	GASKET, WATER PUMP
57	F523562		1	PLATE, WATER PUMP
58	F523065		1	IMPELLER, WATER PUMP
59	46-817853A1		1	WATER PUMP BODY W/DRIVESHAFT SEAL, DISC AND WATERLINE SEAL
60	F1990		2	HEX CAP SCREW, 1/4 - 20 X 1 5/8
61	F480388		1	DISC, WATER PUMP LOCATING
62	F1425		2	HEX CAP SCREW, 1/4 - 20 X 2 5/8
63	F351307		1	SEAL, DRIVESHAFT - WATER PUMP
64	FA523735		1	SEAL, INLET WATER LINE, LOWER
65	F523057		1	BEARING, DRIVESHAFT LOWER
66	F9106		A/R	SHIM, DRIVESHAFT BEARING, UPPER .003 BRASS
-	<b>F9095</b>		<b>A/R</b>	<b>SHIM, DRIVESHAFT BEARING UPPER .005 SILVER</b>
-	<b>F9097</b>		<b>A/R</b>	<b>SHIM, DRIVESHAFT BEARING, UPPER .010 BLACK</b>
67	F523498		1	DRIVE KEY, WATER PUMP
68	FK550128		1	DRIVESHAFT W/BEARING, SHIMS AND CRUSH RING

CONTINUED ON NEXT PAGE ➡

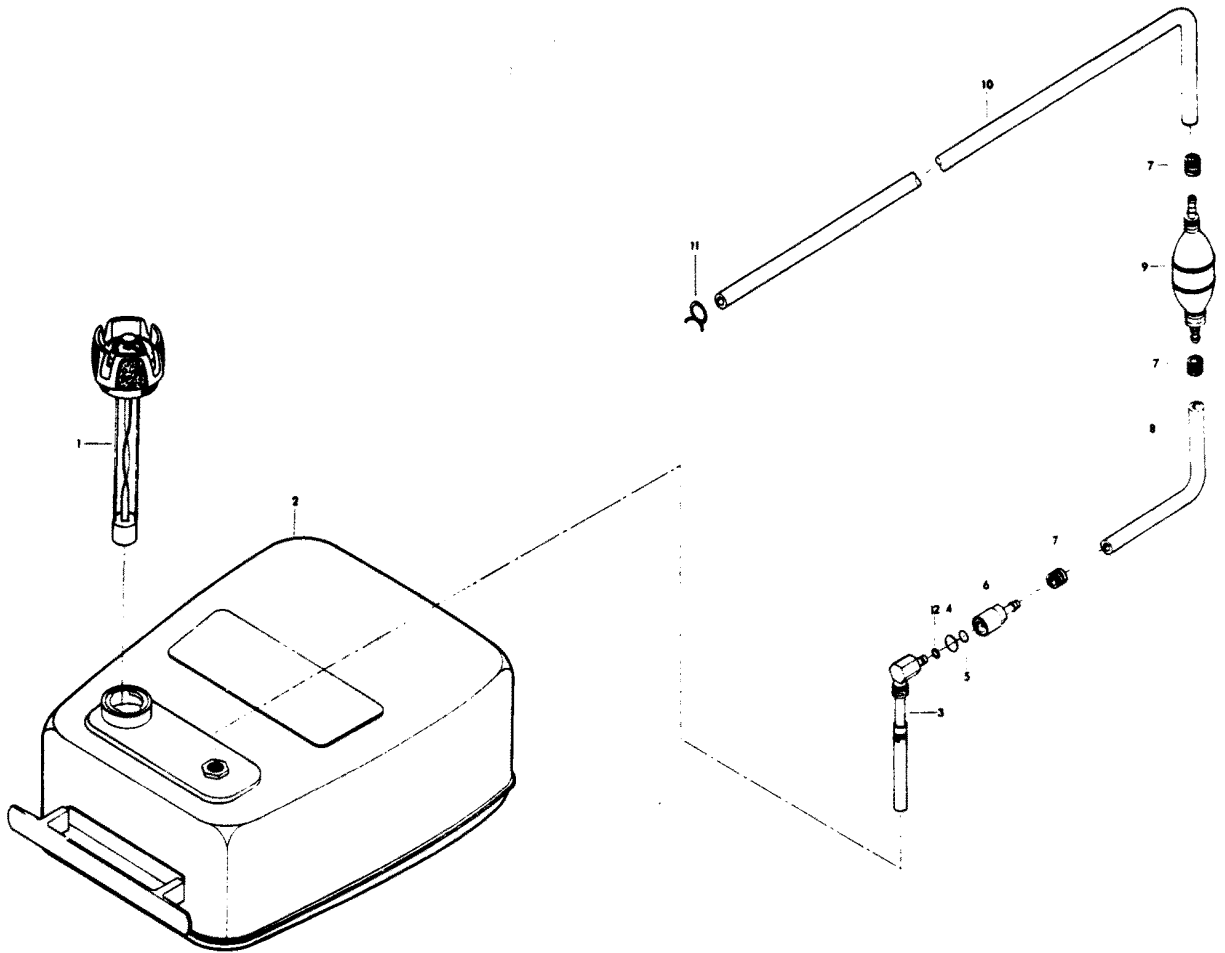
# GEAR HOUSING



# GEAR HOUSING

REF. NO.	PART NO.	SYM.	QTY.	DESCRIPTION
69	F438271		1	RETAINER, CRANKSHAFT SPLINE SEAL
70	F438129		1	SEAL, DRIVESHAFT SPLINE
71	F1866		1	PLAIN WASHER
72	F1856		2	PLAIN WASHER
73	F90619-1		1	YOKE
74	FK1063		1	SEAL KIT (INCLUDES ITEMS BELOW)
-	<b>F50342-1</b>		<b>4</b>	<b>SEAL, BEARING CAGE BOLT</b>
-	<b>F506118</b>		<b>1</b>	<b>SEAL, PROPELLER SHAFT</b>
-	<b>F24278</b>		<b>1</b>	<b>SEAL, PROPELLER SHAFT SPOOL</b>
-	<b>F84305</b>		<b>1</b>	<b>SEAL, PROPELLER SHAFT SPOOL</b>
-	<b>F498618</b>		<b>1</b>	<b>SEAL, GEARSHIFT ARM PIN</b>
-	<b>F8077</b>		<b>2</b>	<b>WASHER</b>
-	<b>F523555</b>		<b>1</b>	<b>SEAL, GEAR HOUSING COVER</b>
-	<b>F74305</b>		<b>1</b>	<b>SEAL, GEAR HOUSING COVER</b>
-	<b>F84307-1</b>		<b>1</b>	<b>SEAL, DRIVESHAFT</b>
-	<b>F338618-1</b>		<b>1</b>	<b>SEAL, GEAR SHIFT ROD</b>
75	FK1069		1	WATER PUMP KIT
-	<b>F1425</b>		<b>2</b>	<b>HEX CAP SC, 1/4 - 20 X 5/8</b>
-	<b>F1990</b>		<b>2</b>	<b>HEX CAP SCREW</b>
-	<b>F8083</b>		<b>4</b>	<b>SPRING LOCKWASHER</b>
-	<b>F523031</b>		<b>1</b>	<b>GASKET, WATER PUMP</b>
-	<b>F523065</b>		<b>1</b>	<b>IMPELLER</b>
-	<b>F523498</b>		<b>1</b>	<b>KEY</b>
-	<b>F523562</b>		<b>1</b>	<b>PLATE, WATER PUMP</b>
-	<b>46-817853A1</b>		<b>1</b>	<b>WATER PUMP</b>

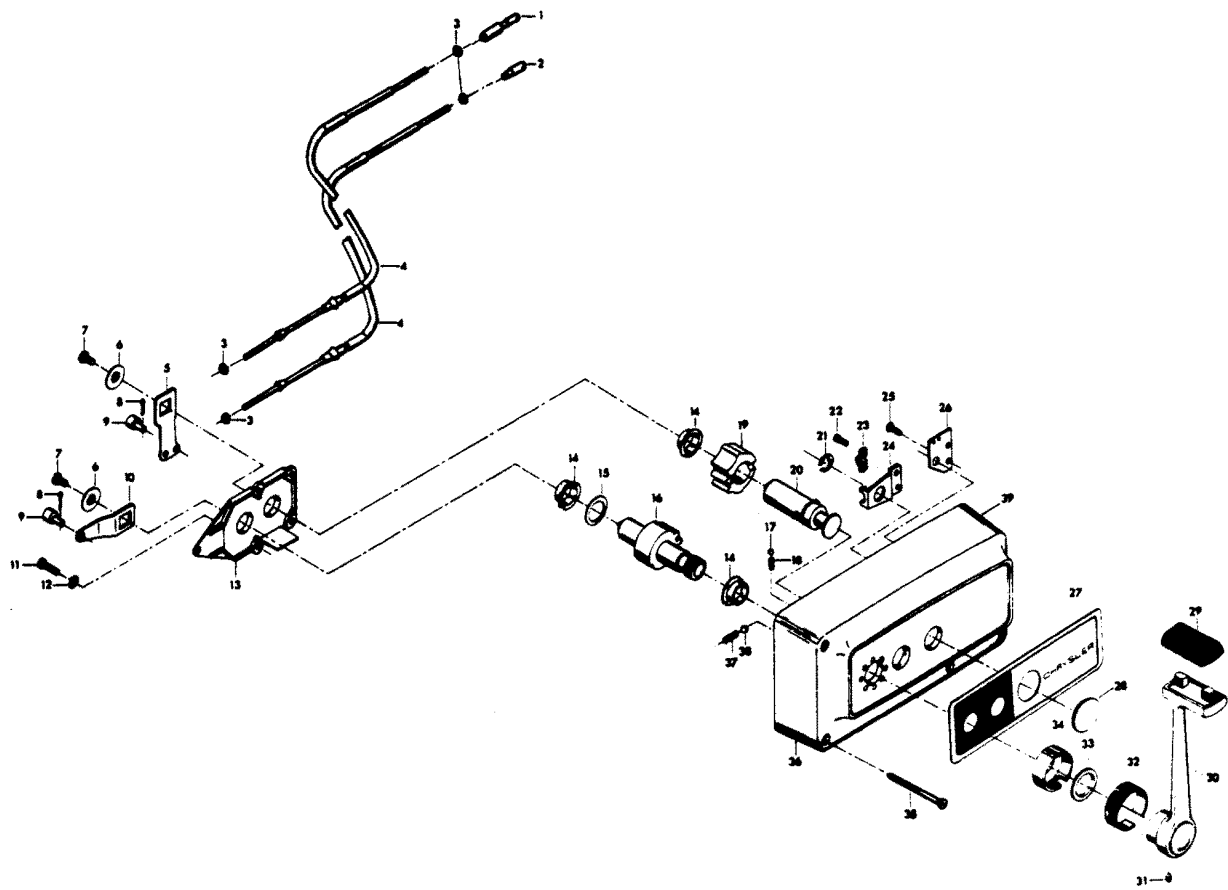
# FUEL TANK AND LINE



## FUEL TANK AND LINE

REF. NO.	PART NO.	SYM.	QTY.	DESCRIPTION
1	F409251-1		1	GAUGE CAP
2	F5H026		1	FUEL TANK (ACCESSORY ITEM)
3	F485755-1		1	FUEL TANK ADAPTER
4	F213342		1	SEAL, FUEL LINE COUPLER (LARGE)
5	F213735		1	SEAL, FUEL LINE COUPLER (SMALL)
6	F197787-3		1	FUEL LINE COUPLER
7	F298788		3	FERRULE
8	FA84754-1		1	FUEL LINE SHORT W/FERRULES
9	89396A38		1	PRIME BULB
10	32-817738A1		1	FUEL LINE LONG W/CLAMP AND FERRULE
11	F97772		1	CLAMP, FUEL LINE
12	F17932		1	SEAL, FUEL LINE COUPLER
-	<b>FS409752</b>		<b>1</b>	<b>FUEL LINE COMPLETE</b>
-	<b>FC409398</b>		<b>1</b>	<b>DECAL, TOTE TANK - CANADA (NOT SHOWN)</b>

# REMOTE CONTROL





# REMOTE CONTROL

REF. NO.	PART NO.	SYM.	QTY.	DESCRIPTION
1	FA58976-1		1	CONNECTOR, THROTTLE CABLE
2	F58685-2		1	CONNECTOR, SHIFT CABLE
3	F1513		4	HEX NUT
4	ÄF58356//		2	REMOTE CONTROL CABLE (SPECIFY LENGTH)
5	F17019		1	CLUTCH ARM
6	F17036		2	INTERNAL TOOTH LOCKWASHER
7	F1715		2	HEX BOLT, 1/4 - 28 X 9/16
8	F17149		2	COTTER PIN
9	F17016		2	CABLE TERMINAL
10	F17014		1	THROTTLE ARM
11	F17013		2	FILL HD SCREW, 1/4 - 20 X 1/2
12	F17147		2	INTERNAL TOOTH LOCKWASHER
13	F17012		1	RETAINING PLATE
14	F17009		3	BEARING
15	F17011		1	BOWED WASHER
16	F17010-1		1	THROTTLE GEAR
17	F17111		1	DETENT BALL
18	F17006		1	DETENT SPRING
19	F17021		1	CLUTCH GEAR
20	F17100		1	CLUTCH SHAFT
21	F17092		1	SNAP RING
22	F17071		2	FILL HD SCREW, 10 - 24 X 5/16
23	F15431		1	CABLE CLAMP
24	F17026		1	SWIVEL
25	F1557		2	FLAT HD SCREW, 10 - 24 X 3/8
26	F17112		1	JUNCTION BOARD, STARBOARD
-	<b>F17113</b>		<b>1</b>	<b>JUNCTION BOARD, PORT</b>
27	F17148		1	DECAL, STARBOARD
-	<b>F531892</b>		<b>1</b>	<b>DECAL, PORT</b>
28	F17031-1		1	SNAP CAP
29	F17116		1	KNOB
30	F17115-1		1	HANDLE
31	F17030-1		1	SET SCREW
32	FK17114-1		1	INDICATOR
33	F17105		1	FELT WASHER
34	F17106		1	COLLAR
35	F17146		3	WOOD SCREW
36	F17099-1		1	HOUSING

CONTINUED ON NEXT PAGE ➡



# REMOTE CONTROL

REF. NO.	PART NO.	SYM.	QTY.	DESCRIPTION
37	F17068		1	DETENT SPRING
38	F17082-1		1	DETENT BALL
-	F1280		2	PAN HD SCREW, 8 - 32 X 1/4 (TERMINAL BOARD) (NOT SHOWN)
-	OB3061		1	LITERATURE (NOT SHOWN)
-	F17103-1		1	BAG ASSEMBLY (NOT SHOWN). INCLUDES ALL ITEMS MARKED WITH AN ASTERISK (*).

## SPECIAL TOOLS - TUNE-UP

REF. NO.	PART NO.	SYM.	QTY.	DESCRIPTION
-	FT8948-1		0	PULLER TO REMOVE FLYWHEEL.
-	FTA2937-1		0	TIMING TOOL TO ADJUST TIMING POINTER.
-	FT8978		0	POWER TIMING LIGHT FOR ADJUSTMENT OF ENGINE TIMING.
-	FT2951		0	CIRCUIT TRACER TO TROUBLESHOOT ELECTRICAL SYSTEM.

## SPECIAL TOOLS - POWER HEAD

REF. NO.	PART NO.	SYM.	QTY.	DESCRIPTION
-	FT8914		0	SEAL REMOVER TO REMOVE UPPER CRANKSHAFT BEARING CAGE SEAL.
-	FT8903		0	SEAL INSTALLER TO INSTALL UPPER CRANKSHAFT BEARING CAGE SEAL.
-	FT8927		0	SEAL PROTECTOR TO INSTALL UPPER CRANKSHAFT BEARING CAGE.
-	FT8907		0	DRIVE HANDLE USED WITH T 8903.
-	FT8925		0	SEAL INSTALLER TO INSTALL LOWER CRANKSHAFT SEAL.
-	FT2953		0	SOCKET TO TORQUE CONNECTING ROD SCREWS.
-	FT2990		0	PISTON PIN TOOL TO REMOVE AND INSTALL PISTON PINS.
-	FT2996		0	RING COMPRESSOR TO INSTALL PISTON IN CYLINDER.
-	FT8926		0	RING EXPANDER TO INSTALL PISTON RINGS.
-	FT1082		0	SNAP RING PLIER TO REMOVE AND INSTALL DISTRIBUTOR RETAINING RING.
-	FT7848		0	TORQUING ADAPTER HOLD DRIVESHAFT WHILE INSTALLING OR REMOVING PINION NUT.
-	FT8933		0	LIFTING HOOK TO LIFT ENGINE.

## SPECIAL TOOLS - GEAR HOUSING

REF. NO.	PART NO.	SYM.	QTY.	DESCRIPTION
-	FT8948-1		0	PULLER TO REMOVE SPOOL FROM GEAR HOUSING.
-	FT8985		0	SEAL INSTALLER TO INSTALL PROPELLER SHAFT SEAL IN PROPELLER SHAFT BEARING SPOOL.
-	FT8925		0	SEAL INSTALLER TO INSTALL DRIVESHAFT SEAL IN GEAR HOUSING COVER.
-	FT8907		0	DRIVER HANDLE TO INSTALL BEARING CUPS AND SEALS.
-	FT8901		0	INDICATOR HOLDER USED IN CONJUNCTION WITH T 8997.
-	FT8902		0	DIAL INDICATOR USED IN CONJUNCTION WITH T 8997.
-	FT8919		0	SPRING PIN PUNCH TO REMOVE CLUTCH SPRING PIN.
-	FT8957		0	SEAL INSTALLER TO INSTALL SHIFT ROD SEAL.
-	FT8997		0	SHIMMING TOOL TO SHIM LOWER UNIT.
-	FT8918		0	BEARING GUIDE SET TO REMOVE FORWARD BEARING CUP IN GEAR HOUSING.
-	FT11209		0	BEARING GUIDE SET USE WITH T 8918.
-	FT11207		0	BEARING CUP REMOVER TO REMOVE FORWARD BEARING CUP IN GEAR HOUSING.
-	FT11204		0	BEARING CUP INSTALLER TO INSTALL FORWARD BEARING CUP IN GEAR HOUSING.
-	FT3012		0	SEAL INSTALLER TO INSTALL WATER PUMP SEAL.
-	FT11205		0	BEARING INSTALLER/REMOVER TO INSTALL AND REMOVE LOWER DRIVESHAFT BEARING IN GEAR HOUSING.

## SPECIAL TOOLS - TEST EQUIPMENT

REF. NO.	PART NO.	SYM.	QTY.	DESCRIPTION
-	FT8950		0	LEAKAGE TESTER TO TEST LOWER UNIT SEALS FOR LEAKAGE.
-	FTK8999		0	TEST WHEEL TO TEST MOTOR IN TEST TANK. ORIGINAL FORCE P/N TA 8999
-	FT8953		0	IGNITION TESTER TO TEST OUTPUT OF C-D UNIT.

## SPECIAL TOOLS - LUBRICANTS AND SEALANTS

REF. NO.	PART NO.	SYM.	QTY.	DESCRIPTION
-	FT2961		0	LUBRICANT - RYKON #2EP
-	FT2987-1		0	LUBRICANT - ANTI-SEIZE
-	FT8969		0	LUBRICANT - 7 OZ. 2PSI LUBRICANT
-	FT8955		0	SEALANT - 5 OZ. EC-750 INDUSTRIAL SEALANT
-	FT8993		0	SEALANT - 3 OZ. RTV SEALANT FROM IN PLACE GASKETS
-	FT8936		0	SEALANT - 2 CC LOCTITE RETAINING COMPOUND #75
-	FT2962-1		0	SEALANT - 50 CC LOCTITE H, NON-HARDENING GRADE
-	FT2963-1		0	SEALANT - 2 OZ. LOCTITE D, HARDENING GRADE
-	FT8935		0	SEALANT PRIMER - 6 OZ.



# SPECIAL TOOLS - REPAIR DECALS - ENGINE COVERS

REF. NO.	PART NO.	SYM.	QTY.	DESCRIPTION
-	T11232		0	METALLIC SILVER
-	T11233		0	MEDIUM METALLIC SILVER
-	T11212		0	BOAT BLACK
-	T11211		0	BOAT WHITE
-	T11230		0	ORANGE

# ACCESSORIES

REF. NO.	PART NO.	SYM.	QTY.	DESCRIPTION
-	F5H014		0	FLUSHING ADAPTER PERMITS FRESH WATER FLUSHING OF WATER PASSAGES WITH STANDARD GARDEN HOSE.
-	F5H130		0	REMOTE CONTROL BOX (SINGLE LEVER) (SURFACE AMOUNT) PERMITS REMOTE CONTROL OF THROTTLE AND GEAR SHIFT FROM STARBOARD SIDE OF BOAT.
-	F5H120		0	REMOTE CONTROL BACK PLATE PROTECTS CONTROL MECHANISM FROM PADDED BOAT SURFACES.
-	F5H131		0	PORT SIDE DECAL KIT CONVERTS 5H130 CONTROL BOX TO PORT SIDE MOUNTING.
-	F590		0	REMOTE CONTROL HEAD (SINGLE LEVER) FLUSH MOUNT CONTROL UNIT PERMITS REMOTE CONTROL OF THROTTLE AND GEAR SHIFT. MAY BE MOUNTED ON PORT OR STARBOARD SIDE OF BOAT.
-	865		0	TWIN REMOTE CONTROL BOX PERMITS REMOTE CONTROL OF THROTTLE, AND GEAR SHIFT ON TWIN ENGINE INSTALLATIONS. MAY BE MOUNTED ON PORT OR STARBOARD SIDE OF BOAT.
-	F5H079		0	REMOTE CONTROL BOX FOR MOUNTING ON CONSOLE OF BOAT.
-	F5H080		0	TWIN REMOTE CONTROL BOX FOR MOUNTING ON CONSOLE OF BOAT.
-	F195/___		0	REMOTE CONTROL CABLES CONNECTS REMOTE CONTROL BOX TO THROTTLE AND GEAR SHIFT ON ENGINE. AVAILABLE IN 6 THROUGH 40 FOOT LENGTHS.
-	F5H108		0	STEERING CONNECTOR CLEVIS TYPE FOR BOAT MOUNTED STEERING AND NON THREADED CABLE END.
-	F5H018		0	DUAL ENGINE TIE BAR PERMITS DUAL ENGINE INSTALLATIONS.
-	F5H094		0	STEERING LINK CONNECTS ENGINE TO REMOTE STEERING CABLE.
-	F5H026		0	STEEL, 6 GALLON FUEL TANK (LOW PROFILE) AUXILIARY TANK.
-	F5H029		0	TANK ANCHOR SECURES 5H026 TO BOAT.
-	F5H040		0	STEEL, 12 GALLON FUEL TANK AUXILIARY TANK.
-	F5H019		0	ANTI-CORROSION KIT ELECTRICAL KIT FOR MOUNTING ON BOAT (12V) TO REDUCE CORROSION.
-	F5H025		0	ANTI-CORROSION SACRIFICIAL ANODE KIT USED TO REDUCE CORROSION.
-	F5H043		0	OVERHEAT BUZZER SOUNDS WARNING BUZZER IF ENGINE OVERHEATS.
-	479		0	OVERHEAT LAMP WARNS OF ENGINE OVERHEATING. DO NOT USE GAUGE AND LAMP IN SAME INSTALLATION.
-	F5H010		0	POWER TRIM INDICATOR INDICATES ENGINE TRIM ANGLE. (FLUSH MOUNT).
-	F5H134		0	BOAT WHITE LACQUER ENGINE TOUCH-UP PAINT IN 12-3/4 OZ. SPRAY BOMBS (6 CANS PER CASE).
-	F5H081		0	BATTERY CABLE LONGER LENGTH - 15 FEET.
-	71H06		0	AMMETER - FLUSH MOUNT INDICATES ALTERNATOR OUTPUT.

CONTINUED ON NEXT PAGE ➡

# ACCESSORIES

REF. NO.	PART NO.	SYM.	QTY.	DESCRIPTION
-	F5H006		0	VOLTMETER - FLUSH MOUNT INDICATES BATTERY CONDITION.
-	71H25		0	CHARGE INDICATOR LAMP INDICATES ALTERNATOR OUTPUT.
-	F5H007		0	HOURMETER - FLUSH MOUNT RECORDS ENGINE RUNNING TIME.
-	5H111		0	INSTRUMENT ADAPTER - 2" PROVIDES SURFACE MOUNTING OF INSTRUMENTS.
-	F5H112		0	INSTRUMENT ADAPTER - 3-1/2" PROVIDES SURFACE MOUNTING OF INSTRUMENTS.
-	F5H119		0	PROPELLER SPACER - FLARED REDUCES PROPELLER VENTILATION ON SOME BOAT APPLICATIONS.
-	F5H069		0	RFI SUPPRESSION KIT PROVIDES RADIO NOISE SUPPRESSION.
-	5H048		0	CANVAS HOOD PROTECTION FOR ENGINE COVER.
-	5H051		0	BATTERY, 74 AMP. 12 VOLT HEAVY DUTY BATTERY.
-	F5H041		0	BATTERY TERMINAL KIT ADAPTS MODEL 5H051 BATTERY TERMINALS FOR CONNECTIONS TO CABLE ON ENGINE.
-	F5H021		0	EXTENSION CABLE FOR LENGTHENING BATTERY CABLE 6-1/2 FEET.
-	F5H037		0	CIGAR LIGHTER FOR USE AS CONVENIENCE OUTLET.
-	168		0	CONTROL PANEL FOR MOUNTING LAMPS, SWITCHES, ETC.
-	F5H008		0	FUEL GAUGE FLUSH MOUNT MONITORS FUEL SUPPLY.
-	F5H076		0	SWITCH EXTENSION CABLE 5 FOOT LONG SWITCH WIRING HARNESS.
-	F5H077		0	IGNITION KEY SWITCH SHORT BARREL WITH KEYS.
-	F5H078		0	IGNITION KEY SWITCH LONG BARREL WITH KEYS.
-	478		0	IGNITION LAMP INDICATES WHEN IGNITION SWITCH IS "ON".
-	F762		0	REMOTE ELECTRIC CABLE 25 FOOT CABLE FOR LARGE BOATS.
-	5H082		0	REMOTE ELECTRIC CABLE 35 FOOT CABLE FOR LARGE BOATS.
-	F5H070		0	REMOTE ELECTRIC CABLE 21 FOOT CABLE FOR LARGE BOATS.
-	F5H028		0	SENDING UNIT FOR USE WITH FUEL GAUGE.
-	F5H005		0	TEMPERATURE GAUGE - FLUSH MOUNT MONITORS ENGINE TEMPERATURE. DO NOT USE TEMPERATURE GAUGE AND HEAT LAMP IN SAME INSTALLATION.
-	F5H012		0	TACHOMETER FLUSH MOUNT MONITORS ENGINE R.P.M. TO PROVIDE CHECK OF ENGINE PERFORMANCE.
-	F5H128		0	POWER TRIM ADJUSTS ENGINE TRIM AND TILTS ENGINE.
-	F5H004		0	SPEEDOMETER FLUSH MOUNT MONITORS BOAT SPEED (0-50 M.P.H.)
-	F5H002		0	SPEEDOMETER - FLUSH MOUNT MONITORS BOAT SPEED (0-65 M.P.H.)
-	F5H076		0	SWITCH EXTENSION CABLE 5 FOOT LONG SWITCH WIRING HARNESS.

CONTINUED ON NEXT PAGE ➡

# ACCESSORIES

REF. NO.	PART NO.	SYM.	QTY.	DESCRIPTION
-	F5H003		0	SPEEDOMETER FLUSH MOUNT MONITORS BOAT SPEED (TO 100 KM/H).
-	F5H030		0	SWITCH KIT - RUNNING LIGHTS DASH MOUNTED TOGGLE SWITCH
-	F5H031		0	SWITCH KIT - SPOT LIGHT DASH MOUNTED TOGGLE SWITCH
-	F5H032		0	SWITCH KIT - WIPER DASH MOUNTED TOGGLE SWITCH
-	F5H034		0	SWITCH KIT - BILGE PUMP DASH MOUNTED TOGGLE SWITCH
-	F5H035		0	SWITCH KIT - HORN DASH MOUNTED TOGGLE SWITCH
-	F5H039		0	SWITCH KIT - INSTRUMENT LIGHTS DASH MOUNTED TOGGLE SWITCH
-	F5H036		0	SWITCH KIT - TACHOMETER TRANSFER FOR ONE TACHOMETER ON DUAL ENGINE INSTALLATION.
-	F5H038		0	SWITCH KIT - IGNITION SWITCH TO MOUNT IGNITION SWITCH IN DASH.
-	F563		0	TERMINAL BLOCK KIT DOUBLE ROW 10 SECTION, TO SIMPLIFY ACCESSORY INSTALLATION.
-	479		0	UNIMOUNT UNDER DASH MOUNT FOR INDICATOR LIGHTS AND IGNITION SWITCH.
-	F5H075		0	WIRING HARNESS - IGNITION SWITCH - 24" USE WITH 563 TERMINAL BLOCK.
-			0	CHRYSLER OUTBOARD OIL SEE BLOCK COMMENT 1.
-			0	CHRYSLER OUTBOARD GEAR LUBE SEE BLOCK COMMENT 2.
-			0	CHRYSLER OUTBOARD FUEL AID REMOVES MOISTURE, PREVENTS SLUDGE AND VARNISH AND STABILIZES GAS. AVAILABLE IN 16 OZ. CANS AND 12 CAN CASES.
-			0	CHRYSLER OUTBOARD STORAGE LUBRICANT WORKS AS A CORROSION INHIBITOR AND PROTECTS INTERNAL ENGINE PARTS DURING STORAGE. AVAILABLE IN 16 OZ. CANS AND 12 CAN CASES.
-			0	CHRYSLER OUTBOARD MULTI-PURPOSE SPRAY LUBE WORKS AS A LUBRICANT, CLEANER, MOISTURE REMOVER AND ELECTRIC INSULATOR. AVAILABLE IN 9 OZ. CANS AND 12 CAN CASES.
-			0	CHRYSLER OUTBOARD MULTI-PURPOSE GREASE LUBRICATES BEARINGS AND OTHER MOVING PARTS. AVAILABLE IN 8 OZ. TUBE AND 12 TUBE CASES.
-			0	CHRYSLER OUTBOARD GREASE GUN USED WITH CHRYSLER OUTBOARD MULTI-PURPOSE GREASE TUBES FOR PRESSURE FITTINGS.
-			0	CHRYSLER OUTBOARD MULTI-PURPOSE CLEANER

# PARTS INDEX

Part Number	Description	Pg.	Ref. No.	Part Number	Description	Pg.	Ref. No.
ÄF58356//	REMOTE CONTROL CABLE (SPECIFY LENGTH) . . . . .	47	4	F1107	SLOTTED FILL HD CAP SCREW, 1/4 - 20 X 3/4 . . .	27	76
168	CONTROL PANEL . . . . .	57	-	F1108	FILL HD SCREW, 1/4 - 20 X 3/4 . . . . .	21	13
3C585944	ENGINE COVER, COMPLETE	3	-	F1253	HEX SOCKET HD CAP SCREW, 3/8 - 16 X 2 . . . . .	25	9
478	IGNITION LAMP . . . . .	57	-	F1263	HEX SOCKET HD CAP SCREW, 5/16 - 18 X 9/16 . .	33	13
479	OVERHEAT LAMP . . . . .	56	-	F1280	PAN HD SCREW . . . . .	37	94
479	UNIMOUNT . . . . .	58	-	F1280	PAN HD SCREW, 8 - 32 X 1/4	7	33
480373	DECAL, MAGNAPOWER IGNITION . . . . .	9	55	F1280	PAN HD SCREW, 8 - 32 X 1/4 (TERMINAL BOARD) (NOT SHOWN) . . . . .	49	-
481373	DECAL, "ELECTRONIC" (NOT SHOWN) . . . . .	15	-	F1285	PAN HD SCREW, 4 - 40 X 3/16 . . . . .	25	39
5H048	CANVAS HOOD . . . . .	57	-	F1341	HEX NUT, 1/4 - 20 . . . . .	25	21
5H051	BATTERY, 74 AMP. . . . .	57	-	F1346	HEX NUT . . . . .	33	27
5H082	REMOTE ELECTRIC CABLE	57	-	F14005-2	CAP BASE . . . . .	13	37
5H111	INSTRUMENT ADAPTER - 2"	57	-	F14007	CAP SCREW . . . . .	13	33
71H06	AMMETER - FLUSH MOUNT	56	-	F14010-1	CAP COVER . . . . .	13	34
71H25	CHARGE INDICATOR LAMP	57	-	F14012-1	BRUSH . . . . .	13	39
817747--1	BALL JOINT W/STUD . . . . .	21	23	F14015	CAP CLIP RIVET . . . . .	13	21
817747--1	BALL JOINT W/STUD . . . . .	25	25	F14017	TERMINAL INSULATOR (OUTSIDE) . . . . .	15	46
817783A5	SWIVEL BRACKET W/BEARINGS AND GREASE FITTINGS . . . . .	35	63	F14021-1	CAP SEAL . . . . .	13	36
817786A1	DISTRIBUTOR PULLEY . . . . .	13	3	F14024	SPACER . . . . .	15	42
817788A3	SPACER PLATE W/PLUG . . .	27	73	F14025	SPACER . . . . .	13	4
817828A1	DISTRIBUTOR . . . . .	15	-	F14028	THRUST WASHER . . . . .	13	5
817892--1	PLATE, IGNITION SWITCH - CANADA (NOT SHOWN) . .	9	-	F14029	THRUST WASHER . . . . .	13	7
817931A7	MOTOR LEG COVER, REAR	33	6	F14030	CAP GASKET . . . . .	13	38
817932A6	TOWERSHAFT W/SWIVEL, BEARINGS AND SCREWS	25	19	F14036	SWIVEL . . . . .	13	13
85872---1	BRACKET . . . . .	27	59	F14037	CAP CLIPS . . . . .	13	14
865	TWIN REMOTE CONTROL BOX . . . . .	56	-	F14038	CAP CLIP SCREWS . . . . .	13	15
89396A38	PRIME BULB . . . . .	45	9	F14040	VENT . . . . .	13	35
A523010-1	CYLINDER W/CRANKCSE COVR, PARTNG LINE SEAL, SCRWS & DOWL PNS . . . . .	25	1	F14041	EXTERNAL TOOTH LOCKWASHER . . . . .	13	23
A578391	DECAL, LEG - STARBOARD	33	-	F14042	DISTRIBUTOR HOUSING W/BEARINGS . . . . .	13	12
A578392	DECAL, LEG - PORT . . . . .	33	1	F14044	DISTRIBUTOR SHAFT . . . . .	13	40
A85135	LEG COVER FRONT . . . . .	35	74	F14045	SCREW . . . . .	13	16
C523227	SPARK PLUG (CHAMPION QL-76V) - CANADA . . . . .	27	-	F14046	TERMINAL SCREW . . . . .	13	19
F10000	GASKET SET (NOT SHOWN)	19	-	F14047	TERMINAL INSULATOR (INSIDE) . . . . .	13	20
F10005	REPAIR PARTS KIT. . . . .	19	54	F14049	TERMINAL INSULATOR (OUTSIDE) . . . . .	13	22
F1009	HEX HD SCREW, 3/8 - 16 X 2 3/4 . . . . .	25	5	F14056	SCREW . . . . .	15	47
F1014	COTTER PIN . . . . .	17	17	F1425	HEX CAP SC, 1/4 - 20 X 5/8 .	43	-
F1014	COTTER PIN . . . . .	35	59	F1425	HEX CAP SCREW, 1/4 - 20 X 2 5/8 . . . . .	41	62
F1015	COTTER PIN . . . . .	41	46	F1473	HEX NUT . . . . .	3	32
F1049	HEX CAP SCREW, 5/16 - 18 X 2 5/8 . . . . .	27	78	F1475	FILL HD SCREW, 10 - 24 X 1/2 . . . . .	29	103
F1052	FILL HD SCREW, 1/4 - 20 X 1	25	22	F1477	ROUND HD SCREWS, 2 X 3/16 . . . . .	3	15
F1059	FILL HD SCREW, 6 - 32 X 1/4	17	21	F1491	HEX HD SCREW, 5/16 - 18 X 3/4 . . . . .	41	41
F1064	FILL HD SCREW, 8 - 32 X 3/8	17	3	F15034	SPRING SET . . . . .	11	15
F1087	FILL HD SCREW, 10 - 24 X 13/16 . . . . .	7	2	F15054	BRUSH AND TERMINAL SET	11	7
F1099	FILL HD SCREW, 1/4 - 20 X 1 1/4 . . . . .	25	13	F15057	BRUSH PLATE AND HOLDER ASSEMBLY . . . . .	11	16

# PARTS INDEX

Part Number	Description	Pg.	Ref. No.	Part Number	Description	Pg.	Ref. No.
F15099	ARMATURE	11	5	F1557	FLAT HD SCREW, 10 - 24 X 3/8	47	25
F15118	BENDIX DRIVE ASSEMBLY	11	1	F1577	FILL HD SCREW, 1/4 - 20 X 3/4	39	19
F15125	HEAD ASSEMBLY, COMMUTATOR END	11	14	F1593	HEX HD SCREW, 3/8 - 16 X 3	33	25
F15126	THRUST WASHER PACKAGE	11	4	F1612	HEX CAP SCREW, 3/8 - 16 X 1 1/4	13	8
F1513	HEX NUT	7	18	F1641	LOCK NUT	11	2
F1513	HEX NUT	47	3	F1645	RD HD SCREW, 6 - 32 X 1/4	7	27
F1513	HEX NUT, 10 - 32	21	27	F1645	RD HD SCREW, 6 - 32 X 1/4	23	50
F1513	HEX NUT, 10 - 32	25	27	F1647	HEX NUT, 8 - 32	7	6
F1515	HEX NUT	7	24	F1647	HEX NUT, 8 - 32	13	24
F1515	HEX NUT, 5/16 - 18	21	29	F1647	HEX NUT, 8 - 32	29	96
F15166	FRAME AND FIELD ASSEMBLY	11	6	F1648	PAN HD SCREW, 10 - 24 X 3/4	7	16
F15167	HEAD ASSEMBLY, DRIVE END	11	3	F1664	SPRING PIN	33	7
F15168	THRU BOLT PACKAGE	11	10	F1666	SPRING BOWED WASHER	33	21
F1528	WELCH PLUG	33	40	F1669	LOCK NUT	35	43
F1532	HEX HD SCREW, 1/4 - 20 X 1	21	20	F1692	WOODRUFF KEY	13	41
F1532	HEX HD SCREW, 1/4 - 20 X 1	25	16	F1693	TIE BAR RETAINER	17	4
F1532	HEX HD SCREW, 1/4 - 20 X 1	27	43	F1696	HEX BOLT, 5/16 - 18 X 1 3/4	35	65
F1533	HEX CAP SCREW, 1/4 - 20 X 7/8	29	107	F1699	HEX HD SCREW, 1/4 - 20 X 1/8	25	8
F1533	HEX HD SCREW, 1/4 - 20 X 7/8	23	44	F17006	DETENT SPRING	47	18
F1533	HEX HD SCREW, 1/4 - 20 X 7/8	25	6	F17009	BEARING	47	14
F1534	HEX CAP SCREW, 1/4 - 20 X 7/8	41	55	F17010-1	THROTTLE GEAR	47	16
F1534	HEX HD SCREW, 1/4 - 20 X 7/8	27	53	F17011	BOWED WASHER	47	15
F1535	HEX CAP SCREW, 1/4 - 20 X 3/4	3	10	F17012	RETAINING PLATE	47	13
F1535	HEX CAP SCREW, 1/4 - 20 X 3/4	27	54	F17013	FILL HD SCREW, 1/4 - 20 X 1/2	47	11
F1535	HEX HD SCREW, 1/4 - 20 X 3/4	25	11	F17014	THROTTLE ARM	47	10
F1536	HEX CAP SCREW, 1/4 - 20 X 3/4	7	23	F17016	CABLE TERMINAL	47	9
F1536	HEX CAP SCREW, 1/4 - 20 X 3/4	39	1	F17019	CLUTCH ARM	47	5
F1536	HEX SLOT HD SCREW, 1/4 - 20 X 3/4	33	4	F17021	CLUTCH GEAR	47	19
F1540	HEX CAP SCREW, 1/4 - 20 X 5/8	3	16	F17026	SWIVEL	47	24
F1540	HEX CAP SCREW, 1/4 - 20 X 5/8	11	11	F1703	LOCKWASHER	27	71
F1540	HEX CAP SCREW, 1/4 - 20 X 5/8	21	5	F1703	SPRING LOCKWASHER	35	73
F1540	HEX CAP SCREW, 1/4 - 20 X 5/8	27	48	F17030-1	SET SCREW	47	31
F1541	HEX CAP SCREW, 1/4 - 20 X 5/8	3	21	F17031-1	SNAP CAP	47	28
F15431	CABLE CLAMP	47	23	F17036	INTERNAL TOOTH LOCKWASHER	47	6
F1545	SCREW, 1/4 - 20 X 1/2	21	22	F1704	INTERNAL TOOTH LOCKWASHER	23	49
F1546	HEX HD CAP SCREW, 1/4 - 20 X 1/2	9	42	F17068	DETENT SPRING	49	37
F1556	FILL HD SCREW W/LOCKWASHER, 10 - 24 X 3/8	25	23	F17071	FILL HD SCREW, 10 - 24 X 5/16	47	22
				F1708	HEX HD CAP SCREW, 1/4 - 20 X 1 3/8	5	40
				F17082-1	DETENT BALL	49	38
				F17092	SNAP RING	47	21
				F17099-1	HOUSING	47	36
				F1710	PLAIN WASHER	33	18
				F17100	CLUTCH SHAFT	47	20
				F17103-1	BAG ASSEMBLY (NOT SHOWN)	49	-
				F17105	FELT WASHER	47	33
				F17106	COLLAR	47	34
				F1711	SPRING BOWED WASHER	33	17
				F17111	DETENT BALL	47	17

# PARTS INDEX

Part Number	Description	Pg.	Ref. No.	Part Number	Description	Pg.	Ref. No.
F17113	JUNCTION BOARD, PORT ..	47	-	F184122-1	PARTING LINE SEAL .....	29	-
F17115-1	HANDLE .....	47	30	F184122-1	SEAL, PARTING LINE .....	29	101
F17116	KNOB .....	47	29	F184579	"O" RING SEAL .....	17	19
F1713	SPRING PIN .....	39	25	F1851	FILL HD SCREW		
F17146	WOOD SCREW .....	47	35		W/LOCKWASHER, 10 - 24		
F17147	INTERNAL TOOTH				X 1/2 .....	7	39
	LOCKWASHER .....	47	12	F1856	PLAIN WASHER .....	43	72
F17148	DECAL, STARBOARD .....	47	27	F1857	HEX CAP SCREW, 5/16 - 18		
F17149	COTTER PIN .....	47	8		X 5/8 .....	3	19
F1715	HEX BOLT, 1/4 - 28 X 9/16 ..	47	7	F1857	HEX CAP SCREW, 5/16 - 18		
F1727	PLASTIC RIVET .....	25	20		X 5/8 .....	3	31
F1729	PLUG .....	33	5	F1858	HEX CAP SCREW, 5/16 - 18		
F1730	PAN HD SCREW W/SPRING				X 1 .....	3	20
	LOCKWASHER, 1/4 - 20 X			F1858	HEX CAP SCREW, 5/16 - 18		
	5/8 .....	3	37		X 1 .....	41	39
F1733	PAN HD MACHINE SCREW,			F1860	RD HD SCREW, 6 - 32 X 1/4	21	9
	10 - 24 X 9/16 .....	3	2	F1866	PLAIN WASHER .....	43	71
F1734	FILL HD SCREW			F1867	HEX CAP SCREW, 3/8 - 16 X		
	W/LOCKWASHER, 1/4 - 20				1 .....	31	19
	X 1/2 .....	7	14	F1869	HEX CAP SCREW, 3/8 - 16 X		
F1741	PAN HD SCREW, 8 X 3/4 ...	7	35		1 1/4 .....	27	70
F1744	SPRING PIN .....	35	48	F1871	HEX HD SCREW, 3/8 - 16 X		
F1744	SPRING PIN .....	35	52		3/4 .....	35	69
F1755	ROUND HD SCREW			F1872	HEX CAP SCREW, 3/8 - 16 X		
	W/LOCKWASHER, 6 - 32 X				1 3/4 .....	25	12
	1/4 .....	21	38	F1873	HEX CAP SCREW, 3/8 - 16 X		
F1759	SHIM, DISTRIBUTOR (QTY.				3 .....	27	50
	AS REQUIRED) .....	13	11	F1874	HEX HD SCREW, 3/8 - 16 X 3		
F1760	PAN HD SCREW, 10 - 24 X				1/8 .....	25	2
	3/8 .....	7	19	F1877	TY - RAP .....	7	29
F1760	PAN HD SCREW, 10 - 24 X			F1885	HEX BOLTS, S.S., 5/16 - 18 X		
	3/8 .....	13	25		4 1/4 .....	27	64
F1760	PAN HD SCREW, 10 - 24 X			F1885	HEX CAP SCREW, 5/16 - 18		
	3/8 .....	25	3		X 4 1/4 .....	39	6
F177330	FUEL PUMP VALVE .....	21	10	F1892	STOP NUT .....	9	52
F177350	REVERSE LOCK PIN .....	35	47	F1904	PLAIN WASHER .....	33	26
F1778	PLAIN WASHER .....	13	9	F1907	PLAIN WASHER .....	39	7
F178168-1	GASKET, CARBURETOR			F1910	STOP NUT, 1/4 - 20 .....	21	25
	ADAPTER .....	21	35	F19109	PLUG .....	27	60
F178168-1	GASKET, CARBURETOR			F19109	PLUG .....	39	30
	ADAPTER .....	29	-	F1912	HEX HD SCREW, 10 - 24 X		
F178173	RETAINING RING .....	33	34		1/2 .....	35	67
F178208	RETAINING RING .....	33	19	F1916	HEX BOLT, 1/4 - 20 X 1 1/8 .	29	87
F178323	SEAL, MOTOR LEG .....	33	12	F1934	FLAT HD SLOTTED SCREW,		
F178362	BEARING .....	33	36		6 X 12 .....	9	50
F178404-1	DEFLECTOR PLATE .....	21	36	F1935	PLAIN WASHER .....	27	42
F178632	SHAFT, SHOCK MOUNT			F1936	SPACER, BEVEL GEAR		
	LOWER .....	33	39		FRONT .059 .....	39	27
F178754-1	FUEL LINE .....	17	24	F1937	SPACER, BEVEL GEAR		
F1788	STOP NUT .....	39	15		FRONT .062 .....	39	-
F178889	SHAFT, SHOCK MOUNT			F1938	SPACER, BEVEL GEAR		
	UPPER .....	33	37		FRONT .065 .....	39	-
F17932	SEAL, FUEL LINE COUPLER	45	12	F1939	SPACER, BEVEL GEAR		
F18160-2	CYLINDER DRAIN REED ...	25	36		FRONT .068 .....	39	-
F1822	HEX BOLT, 5/16 - 18 X 7/8 ..	35	76	F1940	SPACER, BEVEL GEAR		
F1831	FLAT HD SCREW, 1/4 - 20 X				FRONT .071 .....	39	-
	5/8 .....	23	43	F1941	SPACER, BEVEL GEAR		
F1832	STOP NUT, 1/4 - 20 .....	27	68		FRONT .074 .....	39	-
F1836	SPRING PIN .....	35	60	F1942	SPACER, BEVEL GEAR		
F184033-1	SWIVEL, TOP CARBURETOR	17	20		FRONT .077 .....	39	-

# PARTS INDEX

Part Number	Description	Pg.	Ref. No.	Part Number	Description	Pg.	Ref. No.
F195/___	REMOTE CONTROL CABLES	56	-	F213342	SEAL, FUEL LINE COUPLER (LARGE)	45	4
F1950	HEX CAP SCREW, 10 - 24 X 5/8	29	91	F213735	SEAL, FUEL LINE COUPLER (SMALL)	45	5
F1968	FLYWHEEL NUT	31	21	F24278	SEAL, "O" RING PROPELLER SHAFT SPOOL	39	10
F1975	SPRING LOCKWASHER	7	10	F24278	SEAL, PROPELLER SHAFT SPOOL	43	-
F1975	SPRING LOCKWASHER	13	26	F269319	THROTTLE CAM BEARING	21	26
F197787-3	FUEL LINE COUPLER	45	6	F284659-2	BEARING, CRANKSHAFT UPPER MAIN	31	22
F197813	BEARING	35	57	F286461	SPRING, LOCK BAR HANDLE	35	50
F1987	PLAIN WASHER	27	79	F289446-1	CLAMP	7	12
F1987	PLAIN WASHER	35	64	F298788	FERRULE	45	7
F1990	HEX CAP SCREW	43	-	F2A476757	CYLINDER DRAIN REED PLATE W/REEDS, STOPS AND SCREWS	25	35
F1990	HEX CAP SCREW, 1/4 - 20 X 1 5/8	41	60	F2A498023	BEVEL GEAR FRONT W/BEARING	39	28
F1994	HEX SOCKET HD CAP SCREW, 5/16 - 18 X 1	41	36	F2A498662	BEVEL GEAR REAR W/BEARING CAGE	39	21
F1997	STOP NUT, 8 - 32	17	10	F2A523239	SPOOL, PROPELLER SHAFT BEARING W/SEALS	39	11
F2000	HEX CAP SCREW, 5/16 - 18 X 3/4	9	47	F307317	CLIP, TERMINAL BLOCK	7	17
F2000	HEX CAP SCREW, 5/16 - 18 X 3/4	29	99	F316579	SEAL, CRANKCASE	31	11
F2015	HEX NUT, 1/4 - 28	29	102	F316599	SEAL, STEERING SUPPORT TUBE	37	86
F2016	FILL HD SCREW, 6 - 32 X 7/8	23	48	F319908	GROUND WIRE - CANADA	9	57
F2030	HEX HD M. SCREW, 1/4 - 20 X 1 1/4	33	16	F321756	PACKING, COVER	3	27
F203276	BOOT	13	30	F321841-3	LEAD WIRE - USA	13	32
F2033	GROOVE PIN	17	26	F322273	STUD, C.D. UNIT	9	48
F203673	TERMINAL CLIP	13	31	F333316	THROTTLE ROLLER SHAFT	17	5
F2042	PLAIN WASHER	29	106	F335215	SPACER, PISTON PIN (2 PER PERSON)	31	3
F2047	WAVE SPRING			F335217-1	BEARING, PISTON PIN (26 PER SET)	31	5
F2066	LOCKWASHER	3	26	F335654-1	DEFLECTION STOP	3	17
F2066	PAN HD TAPPING SCREW, 10 X 7/16 (TRIM TO COVER)	3	34	F338618-1	SEAL GEAR SHIFT ROD	33	15
F2067	PLASTISOL CAP (NOT SHOWN) FOR EXPOSED THREADS OF CRANKSHAFT	31	-	F338618-1	SEAL, GEAR SHIFT ROD	41	53
F2088	FASTENER	5	38	F338618-1	SEAL, GEAR SHIFT ROD	43	-
F2089	SLOTTED PAN HD M. SCREW, 10 - 24 X 5/16	29	105	F345475-1	COIL	9	44
F2090	PLUG	27	74	F345683	WIRE, REGULATOR-RECTIFIER GROUND	7	5
F2093	STOP NUT	37	89	F351307	SEAL, DRIVESHAFT - WATER PUMP	41	63
F2107	FILL HD SCREW, 10 - 24 X 5/8	7	9	F353480	STUD	33	29
F2108	LOCK NUT	35	79	F369349	REVERSE LOCK	35	44
F2108	STOP NUT, 5/16 - 18	27	67	F369364	REVERSE LOCK ARM	35	55
F2113	SPACER, BEVEL GEAR FRONT .080	39	-	F369510	LINK REVERSE LOCK	35	46
F2114	SPACER, BEVEL GEAR FRONT .083	39	-	F369610	BEARING	27	62
F2115	SPACER, BEVEL GEAR FRONT .086	39	-	F369827	HANDLE AND SHAFT	35	56
F2116	SPACER, BEVEL GEAR FRONT .089	39	-	F369887	SHOULDER SCREW	27	61
F2121	SPACER, BEVEL GEAR FRONT .057	39	-	F369977-1	INTERLOCK ARM	27	63
F2122	SPACER, BEVEL GEAR FRONT .054	39	-	F372151-1	EXHAUST PORT PLATE	29	90
F213274	GREASE FITTING	13	27	F372152-1	EXHAUST PORT COVER	29	88
F213274	GREASE FITTING	33	38	F372154-1	GASKET, EXHAUST PORT PLATE	29	-



# PARTS INDEX

Part Number	Description	Pg.	Ref. No.	Part Number	Description	Pg.	Ref. No.
F372925	CHOKE ROD	17	27	F441754-1	HOSE	21	3
F372958	CHOKE BRACKET	21	19	F460917	STARTER RELAY	7	26
F373778-1	RETAINER, ENGINE COVER	3	33	F474073-1	CLAMP SCREW	33	30
F381896-4	BATTERY CABLE	7	30	F474387	TIMING DECAL - USA	9	56
F391926-1	PLUNGER	17	28	F476066-1	THERMOSTAT COVER	29	85
F391983	RETAINING BAND	9	51	F476067	GASKET	27	81
F3A523158	REED PLATE W/REEDS, REED STOPS AND SCREWS	21	41	F476067	GASKET, THERMOSTAT COVER	29	-
F40209	CARBURETOR STUD	21	30	F476529	CYLINDER HEAD GASKET	27	75
F40223	GASKET, TRANSFER PORT COVER	27	52	F476529-1	GASKET, CYLINDER HEAD	29	-
F40223	GASKET, TRANSFER PORT COVER	29	-	F480038-2	SUPPORT PLATE	3	11
F404097	FLYWHEEL	7	1	F480107-1	CAM STARTER INTERLOCK	29	104
F404268	BY-PASS VALVE SPRING	29	94	F480388	DISC, WATER PUMP LOCATING	41	61
F404314	ELBOW, FUEL PUMP COVER	21	2	F480818	BEARING	3	9
F404314	FITTING	27	47	F481382-1	SPACER, LATCH SHAFT	3	25
F404470-1	REGULATOR-RECTIFIER	7	8	F481434	GUIDE, ENGINE COVER	5	39
F404513	COIL CLAMP	7	40	F481774	BRACKET, COVER LATCH	3	28
F404801	ELBOW, CYLINDER DRAIN UPPER (NOT SHOWN)	27	-	F481777	CAM, LATCH	3	24
F404841	CABLE, HEAT INDICATOR	7	37	F483884	BEARING	35	61
F405457	PIVOT SCREW	25	7	F485755-1	FUEL TANK ADAPTER	45	3
F406406	GASKET DEFLECTOR PLATE	21	37	F489551	BRACKET NEUTRAL INTERLOCK SWITCH	23	45
F406406	GASKET, DEFLECTOR PLATE	29	-	F498618	SEAL	41	30
F406471-1	CYLINDER DRAIN COVER	27	41	F498618	SEAL, GEARSHIFT ARM PIN	43	-
F406754-1	HOSE	27	46	F498891	PIN, GEAR SHIFT ARM	41	32
F40689-1	BEARING	27	72	F498891	PIN, PROPELLER NUT RETAINING	39	14
F407446	CLAMP	7	31	F500061-1	CARBURETOR COMPLETE (WB24B)	19	47
F409251-1	GAUGE CAP	45	1	F50109	PLUG, GEAR HOUSING	41	43
F433114	HANDLE, LOCK BAR	35	51	F50342-1	SEAL, "O" RING	39	8
F433209-1	THROTTLE CAM STUD	21	32	F50342-1	SEAL, BEARING CAGE BOLT	43	-
F438066	BY-PASS VALVE COVER	29	92	F506118	SEAL, PROPELLER SHAFT	39	9
F438129	SEAL, DRIVESHAFT SPLINE	43	70	F506118	SEAL, PROPELLER SHAFT	43	-
F438165	SCREW, FUEL PUMP BOWL	21	18	F510374	DECAL, CIRCUIT BREAKER U.S.A.	7	41
F438169	BEARING	33	42	F510460	CIRCUIT BREAKER	7	22
F438271	RETAINER, CRANKSHAFT SPLINE SEAL	43	69	F511125-2	TUBE, STEERING SUPPORT	35	84
F438346	SHOCK MOUNT LOWER	35	75	F511675	STARTER BRACKET, LOWER	11	13
F438398	DECAL, WIRING - USA	29	86	F523031	GASKET, WATER PUMP	41	56
F438500	FUEL SEDIMENT BOWL	21	17	F523031	GASKET, WATER PUMP	43	-
F438617	FUEL SEDIMENT BOWL GASKET	21	15	F523057	BEARING, DRIVESHAFT LOWER	41	65
F438653	FUEL SEDIMENT BOWL SCREEN	21	16	F523065	IMPELLER	43	-
F438668	RETAINER, CABLE CLAMP	7	13	F523065	IMPELLER, WATER PUMP	41	58
F438744-1	WIRING HARNESS	7	4	F523094-2	PROPELLER NUT	39	13
F438747	FUEL PUMP DIAPHRAGM	21	8	F523099-1	SPACER, PROPELLER	39	18
F438754	FUEL LINE	17	29	F523116	EXHAUST SNOOT	41	37
F438760	FUEL PUMP GASKET	21	4	F523133-2	MOTOR LEG	35	81
F438801	FITTING	21	14	F523146	SEAL, CRANKSHAFT LOWER	31	13
F438841-1	LEAD WIRE - CANADA	13	-	F523188	NUT, BEVEL PINION	41	34
F438905	COIL WIRE - CANADA	13	-	F523244	INLET WATER LINE	39	5
F438930	RETAINER, SNOOT	41	38	F523273	STUD STEERING BALL	37	93
F438962	SHOCK MOUNT LOWER REAR	33	14	F523274	GREASE FITTING	35	85
F439736	SEAL, EXHAUST TUBE	35	82	F523280	NUT, STEERING SUPPORT TUBE	35	80
				F523300-1	SPRING	37	88

# PARTS INDEX

Part Number	Description	Pg.	Ref. No.	Part Number	Description	Pg.	Ref. No.
F523411	RETAINING RING, BEARING CAGE	39	22	F5H026	STEEL, 6 GALLON FUEL TANK (LOW PROFILE)	56	-
F523451	SPACER, REED STOP	23	51	F5H028	SENDING UNIT	57	-
F523498	DRIVE KEY, WATER PUMP	41	67	F5H029	TANK ANCHOR	56	-
F523498	KEY	43	-	F5H030	SWITCH KIT - RUNNING LIGHTS	58	-
F523555	SEAL, "O" RING, GEAR HOUSING COVER	41	48	F5H031	SWITCH KIT - SPOT LIGHT	58	-
F523555	SEAL, GEAR HOUSING COVER	43	-	F5H032	SWITCH KIT - WIPER	58	-
F523562	PLATE, WATER PUMP	41	57	F5H034	SWITCH KIT - BILGE PUMP	58	-
F523562	PLATE, WATER PUMP	43	-	F5H035	SWITCH KIT - HORN	58	-
F523705	GEAR SHIFT ROD LOWER	41	45	F5H036	SWITCH KIT - TACHOMETER TRANSFER	58	-
F523813	BEARING CUP	39	29	F5H037	CIGAR LIGHTER	57	-
F523834	CLIP, SPARK PLUG WIRE	25	28	F5H038	IGNITION SWITCH MOUNTING KIT (ACCESSORY ITEM)	9	49
F523881-1	LINK STEERING	37	91	F5H038	SWITCH KIT - IGNITION SWITCH	58	-
F523899	GROMMET, WATER LINE	39	4	F5H039	SWITCH KIT - INSTRUMENT LIGHTS	58	-
F523930	RETAINER STUD	37	92	F5H040	STEEL, 12 GALLON FUEL TANK	56	-
F523961	CRUSH RING	41	49	F5H041	BATTERY TERMINAL KIT	57	-
F523962	SHOCK MOUNT - C.D. UNIT	9	46	F5H041	BATTERY TERMINAL KIT (ACCESSORY ITEM)	7	32
F528068	THERMOSTAT	29	82	F5H043	OVERHEAT BUZZER	56	-
F528995	COVER, CYLINDER HEAD	29	108	F5H043	OVERHEAT BUZZER (ACCESSORY ITEM)	7	36
F529390	DECAL, REVERSE LOCK - USA	37	87	F5H069	RFI SUPPRESSION KIT	57	-
F530160	REED (5 PETAL)	21	40	F5H070	REMOTE ELECTRIC CABLE	57	-
F531892	DECAL, PORT	47	-	F5H075	WIRING HARNESS - IGNITION SWITCH - 24"	58	-
F532299	WASHER	39	16	F5H076	SWITCH EXTENSION CABLE	57	-
F545189	BUSHING, CABLE ENTRY	3	13	F5H076	SWITCH EXTENSION CABLE	57	-
F548984	BLANKET, SILENCER TOP (NOT SHOWN)	5	-	F5H077	IGNITION KEY SWITCH	57	-
F549189	BUSHING, ELECTRIC CABLE	3	12	F5H078	IGNITION KEY SWITCH	57	-
F552985	BLANKET, SILENCER SIDE (NOT SHOWN)	5	-	F5H078	IGNITION SWITCH W/KEYS AND SCREWS	7	34
F563	TERMINAL BLOCK KIT	58	-	F5H079	REMOTE CONTROL BOX	56	-
F58685-2	CONNECTOR, SHIFT CABLE	47	2	F5H080	TWIN REMOTE CONTROL BOX	56	-
F590	REMOTE CONTROL HEAD (SINGLE LEVER)	56	-	F5H081	BATTERY CABLE	56	-
F5H002	SPEEDOMETER - FLUSH MOUNT	57	-	F5H094	STEERING LINK	56	-
F5H003	SPEEDOMETER FLUSH MOUNT	58	-	F5H108	STEERING CONNECTOR	56	-
F5H004	SPEEDOMETER FLUSH MOUNT	57	-	F5H112	INSTRUMENT ADAPTER - 3-1/2"	57	-
F5H005	TEMPERATURE GAUGE - FLUSH MOUNT	57	-	F5H119	PROPELLER SPACER - FLARED	57	-
F5H006	VOLTMETER - FLUSH MOUNT	57	-	F5H120	REMOTE CONTROL BACK PLATE	56	-
F5H007	HOURMETER - FLUSH MOUNT	57	-	F5H128	POWER TRIM	57	-
F5H008	FUEL GAUGE FLUSH MOUNT	57	-	F5H130	REMOTE CONTROL BOX (SINGLE LEVER) (SURFACE AMOUNT)	56	-
F5H010	POWER TRIM INDICATOR	56	-	F5H131	PORT SIDE DECAL KIT	56	-
F5H012	TACHOMETER FLUSH MOUNT	57	-	F5H134	BOAT WHITE LACQUER	56	-
F5H014	FLUSHING ADAPTER	56	-	F7004	STOP NUT, 3/8 - 16	25	17
F5H018	DUAL ENGINE TIE BAR	56	-	F7008	ELASTIC STOP NUT	25	10
F5H019	ANTI-CORROSION KIT	56	-	F7012	STOP NUT	33	24
F5H021	EXTENSION CABLE	57	-	F7013	STOP NUT	13	2
F5H025	ANTI-CORROSION SACRIFICIAL ANODE	56	-				

# PARTS INDEX

Part Number	Description	Pg.	Ref. No.	Part Number	Description	Pg.	Ref. No.
F74305	SEAL, DRIVESHAFT BEARING CAGE	41	50	F84472-5	GASKET, CYLINDER DRAIN COVER	29	-
F74305	SEAL, GEAR HOUSING COVER	43	-	F84504	GROMMET (THERMOSTAT)	29	83
F762	REMOTE ELECTRIC CABLE	57	-	F84521-1	CLUTCH	39	26
F8003	PLAIN WASHER	25	38	F84748-3	GASKET	25	33
F8011	PLAIN WASHER	7	20	F84748-3	GASKET, CYLINDER DRAIN REED PLATE	29	-
F8028	PLAIN WASHER	11	12	F84792	GASKET, CENTER FUEL PUMP VALVE	21	11
F8038	PLAIN WASHER	29	110	F84871-1	PIN, GEAR SHIFT W/YOKE	39	24
F8038	PLAIN WASHER	37	90	F84991-1	GROMMET	15	45
F8039	PLAIN WASHER	35	70	F85017	PISTON PIN	31	4
F8056	LOCKWASHER	13	18	F85026	SWIVEL	25	30
F8056	LOCKWASHER	15	43	F85033	SWIVEL, CHOKE ROD (BOTTOM CARBURETOR) (NOT SHOWN)	19	-
F8056	LOCKWASHER	29	97	F85035	DISTRIBUTOR, CONTROL ROD END	25	29
F8056	SPRING LOCKWASHER	7	7	F85036	TOWERSHAFT CONTROL ROD END	25	32
F8058	INTERNAL TOOTH LOCKWASHER	21	24	F85037-1	STERN BRACKET PIVOT BOLT	35	53
F8058	INTERNAL TOOTH LOCKWASHER	27	57	F85095-2	STATOR	7	3
F8077	WASHER	43	-	F85117	BRACKET, WATER LINE	39	2
F8077	WASHER, GEAR HOUSING PLUG	41	42	F85130	BOOT IDLE EXHAUST	33	8
F8080	HELICAL SPRING LOCKWASHER	37	95	F85161-1	REED STOP	21	39
F8083	SPRING LOCKWASHER	3	22	F85173	RETAINING RING	13	6
F8083	SPRING LOCKWASHER	9	43	F85192-1	THROTTLE CAM	21	28
F8083	SPRING LOCKWASHER	33	3	F85211	STUD	25	18
F8083	SPRING LOCKWASHER	41	54	F85258	INSERT	33	9
F8083	SPRING LOCKWASHER	43	-	F85279-2	GASKET, CYLINDER EXHAUST UPPER	27	69
F8088	PLAIN WASHER	17	18	F85279-2	GASKET, CYLINDER EXHAUST, UPPER	29	-
F8088	PLAIN WASHER	23	47	F85300	REVERSE LOCK SPRING	35	45
F8094	PLAIN WASHER	3	23	F85311	DISTRIBUTOR BELT	13	1
F8094	PLAIN WASHER	35	58	F85314-1	FUEL FITTING	17	30
F8095	PLAIN WASHER	29	109	F85317-1	SOLENOID CLAMP	21	21
F8096	SPRING LOCKWASHER	3	18	F85350-1	TILT STOP PIVOT	33	20
F8096	SPRING LOCKWASHER	3	30	F85372	PIN, GEAR SHIFT ROD LOWER	41	47
F8096	SPRING LOCKWASHER	7	25	F8538	SPRING PIN	33	31
F8096	SPRING LOCKWASHER	29	100	F85380	SPRING	33	10
F8096	SPRING LOCKWASHER	35	77	F85410	SNAP RING	31	8
F8096	SPRING LOCKWASHER	41	40	F85445	CONTROL ROD	25	31
F8104	PLAIN WASHER	27	49	F85498	FLYWHEEL KEY	31	16
F84011	WASHER	35	62	F85502	THROTTLE LINK	25	26
F84074	CLAMP SCREW FOOT	33	28	F85509-1	LINK, CHOKE	17	25
F84146-2	SEAL	31	20	F85541-1	TILT LOCK	33	22
F84278	SEAL	31	23	F85571	BEARING CAGE W/ROLLER	31	10
F84286-1	FRICTION WASHER	35	54	F85606	KINGPIN CAP	35	66
F84305	SEAL, "O" RING PROPELLER SHAFT SPOOL	39	12	F85610	BEARING	27	65
F84305	SEAL, PROPELLER SHAFT SPOOL	43	-	F85615	GEAR SHIFT ROD UPPER	35	78
F84307-1	SEAL, DRIVESHAFT	41	51	F8563	DOWEL PIN	25	15
F84307-1	SEAL, DRIVESHAFT	43	-	F85634-2	CONNECTING ROD SCREW	31	14
F84314-2	ELBOW	17	22	F85660-1	EXHAUST TUBE	33	2
F84314-2	ELBOW	21	6	F85664	DISTRIBUTOR GROUND	13	28
F84314-2	ELBOW	27	45	F85664	GROUND WIRE	9	54
F84342	SEAL, INLET WATER LINE, UPPER	39	3	F85704	COUPLER, GEAR SHIFT ROD	35	83
F84449	INTERLOCK SWITCH	23	46				
F84472-5	GASKET, CYLINDER DRAIN COVER	25	40				

# PARTS INDEX

Part Number	Description	Pg.	Ref. No.	Part Number	Description	Pg.	Ref. No.
F85762	BY-PASS VALVE COVER			FA439493	TERMINAL BLOCK BRACKET	7	11
	GASKET	29	93	FA439746	FUEL PUMP COVER	21	1
F85762	GASKET, BY-PASS VALVE	29	-	FA480179	TRIM TOP	3	1
F85772	CLAMP	33	11	FA480269	TILT HANDLE	3	3
F85779-1	BAFFLE, AIR INTAKE	35	68	FA480876	GEAR SHIFT ARM W/SWIVL, BEARNGS, INTRLOCK		
F85843-1	REMOTE ELECTRIC CABLE, 18 FEET	7	38		ARM & SHOULDR SCRW	27	66
F85859	STUD	25	14	FA480894	TIMING POINTER	25	4
F85906	CARBURETOR GASKET	21	31	FA481469	HANDLE W/SHAFT	3	8
F85906	GASKET, CARBURETOR	29	-	FA481743	ROLLER BRACKET	3	29
F85908	STARTER LEAD WIRE	11	9	FA498266	BEVEL PINION GEAR W/CRUSH RING AND SHIMS	41	35
F85916-1	BY-PASS VALVE	29	95		TERMINAL BLOCK	7	15
F85924	CHOKE SOLENOID	7	28	FA510497	TERMINAL BLOCK	7	15
F85965	SHOCK MOUNT UPPER	35	72	FA523014	CRANKSHAFT LOWER MAIN BEARING	31	12
F89758	FUEL PUMP AIR HOSE - TOP	21	7	FA523054	GEAR HOUSING	41	33
F9018	CAP	33	32	FA523098	PROPELLER SHAFT	39	23
F9052	PLUG	33	33	FA523485	ANTICORROSION ANODE	39	20
F90619-1	YOKE	43	73	FA523706	GEAR HOUSING COVER W/SEALS	41	52
F90807	RETAINING RING	17	1	FA523735	SEAL, INLET WATER LINE, LOWER	41	64
F9095	SHIM, DRIVESHAFT BEARING UPPER .005 SILVER	41	-	FA535395	IDENTIFICATION PLATE W/SCREWS FOR U.S.A. MODELS	3	14
F9097	SHIM, DRIVESHAFT BEARING, UPPER .010 BLACK	41	-	FA552180	TRIM REAR	3	4
F9106	SHIM, DRIVESHAFT BEARING, UPPER .003 BRASS	41	66	FA552888	TRIM FRONT	3	36
F91446-1	CIRCUIT BREAKER BRACKET	7	21	FA552944	ENGINE COVER W/RETAINER, SCREWS AND NUTS	3	5
F92759	THROTTLE ROLLER	17	6	FA585386	DECAL, NUMERAL	3	7
F93811	SCREEN	25	34	FA585396	DECAL, STARBOARD	3	-
F93920	REED STOP	25	37	FA585397	DECAL, PORT	3	6
F97772	CLAMP	17	23	FA585892	DECAL, FRONT	3	35
F97772	CLAMP, FUEL LINE	45	11	FA58976-1	CONNECTOR, THROTTLE CABLE	47	1
F98273	ROD END CONNECTOR STUD	27	58	FA84621-1	COUPLING, GEAR SHIFT ARM W/BUSHING	41	44
FA14048-2	PREAMPLIFIER	13	17	FA84754-1	FUEL LINE SHORT W/FERRULES	45	8
FA15072	HEX LOCK NUT, 1/4 - 20	11	8	FA85019	KINGPIN W/PLUG	33	41
FA178157	CARBURETOR ADAPTER, UPPER W/FITTING AND STUDS (NOT SHOWN)	21	-	FA85193	TIE BAR END W/SWIVEL	17	2
FA178167	CARBURETOR ADAPTER, LOWER W/FITTING AND STUDS	21	33	FA85355-1	WASHER	35	71
FA178233	THROTTLE TIE BAR W/SWIVEL	19	53	FA85655-1	CRANKSHAFT MAIN BEARING RACE W/SNAP RING	31	9
FA178962	SHOCK ABSORBER W/BUSHING	33	35	FAC535395	IDENTIFICATION PLATE W/SCREWS FOR CANADA MODELS	3	-
FA321574	DISTRIBUTOR BRACKET	13	10	FB368700	KEY, IGNITION - STAMPED B	9	-
FA335260	PISTON RING SET (3 PER SET)	31	1	FC368700	KEY, IGNITION - STAMPED D	9	-
FA368700	KEY, IGNITION - NO LETTER OR STAMPED A	9	53	FC409398	DECAL, TOTE TANK - CANADA (NOT SHOWN)	45	-
FA411222	TRANSFER PORT COVER	27	51	FC438398	DECAL WIRING - CANADA	29	-
FA438113	STERN BRACKET LOCK BAR W/HANDLE	35	49	FC474387	TIMING DECAL - CANADA	9	-
FA438431	FUEL PUMP BODY W/VALVES	21	12	FC500390	DECAL, STARTER - CANADA (NOT SHOWN)	11	-

# PARTS INDEX

Part Number	Description	Pg.	Ref. No.	Part Number	Description	Pg.	Ref. No.
FC529390	DECAL, REVERSE LOCK - CANADA (NOT SHOWN)	37	-	FO6396	RETAINING SCREW LOCKWASHER	17	15
FC550054	GEAR HOUSING COMPLETE	41	-	FO8942	CHOKE SHUTTER		
FC552010	SHORT BLOCK	25	-		RETAINING SCREW AND LOCKWASHER	17	43
FD368700	KEY, IGNITION - STAMPED D	9	-	FO8942	THROTTLE SHUTTER		
FE368700	KEY, IGNITION - STAMPED E	9	-		RETAINING SCREW AND LOCKWASHER	17	12
FG1019	GASKET SET	29	111	FO9678	CLIP, CHOKE SHAFT	19	49
FK1063	SEAL KIT	43	74	FO992	LOCKWASHER	19	50
FK1069	WATER PUMP KIT	43	75	FPS526	PROPELLER (ACCESSORY ITEM)	39	17
FK17114-1	INDICATOR	47	32	FS409752	FUEL LINE COMPLETE	45	-
FK405020	SWIVEL W/CLAMP, SHOULDER SCREW AND NUT	25	24	FS490955	STARTER COMPLETE	11	-
FK550128	DRIVESHAFT W/BEARING, SHIMS AND CRUSH RING	41	68	FSA335260	PISTON RING (3 PER SET) .010 OVERSIZE (NOT SHOWN)	31	-
FK750-2	SPARKIE	15	44	FT1082	SNAP RING PLIER	51	-
FK85228-1	BEARING CAGE W/ROLLER	31	7	FT11204	BEARING CUP INSTALLER	52	-
FO10165	INLET SEAT GASKET	17	39	FT11205	BEARING		
FO10588	BODY CHANNEL CUP PLUG	17	9		INSTALLER/REMOVER	52	-
FO10790	INLET NEEDLE, SEAT AND GASKET	17	38	FT11207	BEARING CUP REMOVER	52	-
FO11103	IDLE MIXTURE SCREW SPRING	19	46	FT11209	BEARING GUIDE SET	52	-
FO13191	MAIN FUEL JET. OPT. .076 3000 FT. - 4500 FT.	19	-	FT2951	CIRCUIT TRACER	50	-
FO13194	MAIN FUEL JET. STD. .080 SEA LEVEL - 1500 FT.	19	48	FT2953	SOCKET	51	-
FO13552	FUEL BOWL	17	33	FT2961	LUBRICANT - RYKON #2EP	54	-
FO13554	FLOAT	17	37	FT2962-1	SEALANT - 50 CC LOCTITE H, NON-HARDENING GRADE	54	-
FO13555	CHOKE SHUTTER	17	44	FT2963-1	SEALANT - 2 OZ. LOCTITE D, HARDENING GRADE	54	-
FO13942	THROTTLE SHUTTER	17	11	FT2987-1	LUBRICANT - ANTI-SEIZE	54	-
FO13944	FLOAT LEVER PIN	17	36	FT2990	PISTON PIN TOOL	51	-
FO13945	FUEL BOWL RETAINING SCREW	17	31	FT2996	RING COMPRESSOR	51	-
FO13946	IDLE MIXTURE SCREW	19	45	FT3012	SEAL INSTALLER	52	-
FO13947	CHOKE SHAFT RETURN SPRING	17	41	FT7848	TORQUING ADAPTER	51	-
FO14303	MAIN FUEL JET. OPT. .074 4500 FT. - 6000 FT.	19	-	FT8901	INDICATOR HOLDER	52	-
FO14306	MAIN FUEL JET. OPT. .0785 1500 FT. - 3000 FT.	19	-	FT8902	DIAL INDICATOR	52	-
FO15026	MAIN FUEL JET. OPT. .072 6000 FT. & UP.	19	-	FT8903	SEAL INSTALLER	51	-
FO15217	MAIN NOZZLE	17	35	FT8907	DRIVE HANDLE	51	-
FO15231	THROTTLE SHAFT AND LEVER	17	7	FT8907	DRIVER HANDLE	52	-
FO15623	FUEL BOWL GASKET	17	42	FT8914	SEAL REMOVER	51	-
FO16008	THROTTLE SHAFT RETURN SPRING	17	8	FT8918	BEARING GUIDE SET	52	-
FO17181	IDLE TUBE	19	52	FT8919	SPRING PIN PUNCH	52	-
FO17241	CHOKE SHAFT AND LEVER SCREW	19	51	FT8925	SEAL INSTALLER	51	-
FO2510	FUEL BOWL RETAINING SCREW GASKET	17	32	FT8925	SEAL INSTALLER	52	-
FO3804	RETAINING SCREW WASHER	17	14	FT8926	RING EXPANDER	51	-
FO4326	BODY CHANNEL WELCH PLUG	17	13	FT8927	SEAL PROTECTOR	51	-
FO6393	RETAINING SCREW	17	16	FT8933	LIFTING HOOK	51	-
				FT8935	SEALANT PRIMER - 6 OZ.	54	-
				FT8936	SEALANT - 2 CC LOCTITE RETAINING COMPOUND #75	54	-
				FT8948-1	PULLER	50	-
				FT8948-1	PULLER	52	-
				FT8950	LEAKAGE TESTER	53	-
				FT8953	IGNITION TESTER	53	-
				FT8955	SEALANT - 5 OZ. EC-750 INDUSTRIAL SEALANT	54	-
				FT8957	SEAL INSTALLER	52	-

# PARTS INDEX

Part Number	Description	Pg.	Ref. No.	Part Number	Description	Pg.	Ref. No.
FT8969	LUBRICANT - 7 OZ. 2PSI						
	LUBRICANT . . . . .	54	-				
FT8978	POWER TIMING LIGHT . . . .	50	-				
FT8985	SEAL INSTALLER . . . . .	52	-				
FT8993	SEALANT - 3 OZ. RTV						
	SEALANT FROM IN PLACE						
	GASKETS . . . . .	54	-				
FT8997	SHIMMING TOOL . . . . .	52	-				
FTA2937-1	TIMING TOOL . . . . .	50	-				
FTK8999	TEST WHEEL . . . . .	53	-				
OB3061	LITERATURE (NOT SHOWN)	49	-				
T11211	BOAT WHITE . . . . .	55	-				
T11212	BOAT BLACK . . . . .	55	-				
T11230	ORANGE . . . . .	55	-				
T11232	METALLIC SILVER . . . . .	55	-				
T11233	MEDIUM METALLIC SILVER	55	-				
22-818103--1	ELBOW, CYLINDER DRAIN						
	LOWER . . . . .	27	44				
31-817785A2	CRANKSHAFT BEARING						
	CAGE W/SEAL . . . . .	31	18				
32-77653-77	BALANCE TUBE . . . . .	21	34				
32-817738A1	FUEL LINE LONG W/CLAMP						
	AND FERRULE . . . . .	45	10				
33-97180	SPARK PLUG (CHAMPION						
	L20V) - USA . . . . .	27	77				
39-818110A1	PISTON RING (3 PER SET)						
	.030 OVERSIZE (NOT						
	SHOWN) . . . . .	31	-				
46-817853A1	WATER PUMP . . . . .	43	-				
46-817853A1	WATER PUMP BODY						
	W/DRIVESHAFT SEAL,						
	DISC AND WATERLINE						
	SEAL . . . . .	41	59				
84-817775A1	COIL WIRE W/TERMINAL						
	CLIP - USA . . . . .	13	29				
87-817778A1	THERMOSWITCH . . . . .	29	98				
300-817855A1	UNIT W/DECAL . . . . .	9	45				
400-817735A4	CRANKSHAFT W/BEARING .	31	15				
600-818052A4	CONNECTING ROD W/CAP						
	AND SCREWS . . . . .	31	6				
700-817988A2	PISTON .010 OVERSIZE						
	(NOT SHOWN) . . . . .	31	-				
700-818111A2	PISTON .030 OVERSIZE						
	(NOT SHOWN) . . . . .	31	-				
700-F372015-3	PISTON . . . . .	31	2				
900-817832A2	CYLINDER HEAD . . . . .	27	80				
1400-817958A6	STERN BRACKET . . . . .	33	23				