



PARTS CATALOG

85 H.P.

SERIAL NUMBER

85 (1980) 856BOH
85 (1980) 856H0H

TABLE OF CONTENTS:

ACCESSORIES	54
CARBURETOR	16
CRANKSHAFT AND PISTON GROUP	28
DISTRIBUTOR	12
ELECTRICAL COMPONENTS	6
ENGINE COVER AND SUPPORT PLATE	2
FUEL TANK AND LINE	42
GEAR HOUSING	36
MOTOR LEG	30
PARTS INDEX	57
POWER HEAD	22
REMOTE CONTROL	44
SPECIAL TOOLS - DECAL REPAIR SHEETS	53
SPECIAL TOOLS - GEAR HOUSING	50
SPECIAL TOOLS - LUBRICANTS AND SEALANTS	52
SPECIAL TOOLS - POWER HEAD	49
SPECIAL TOOLS - TEST EQUIPMENT	51
SPECIAL TOOLS - TUNE-UP	48
STARTER	10

NOTE: Indented description indicate that these parts are included in preceeding assembly.

AR = As Required

NSS = Not Sold Separate

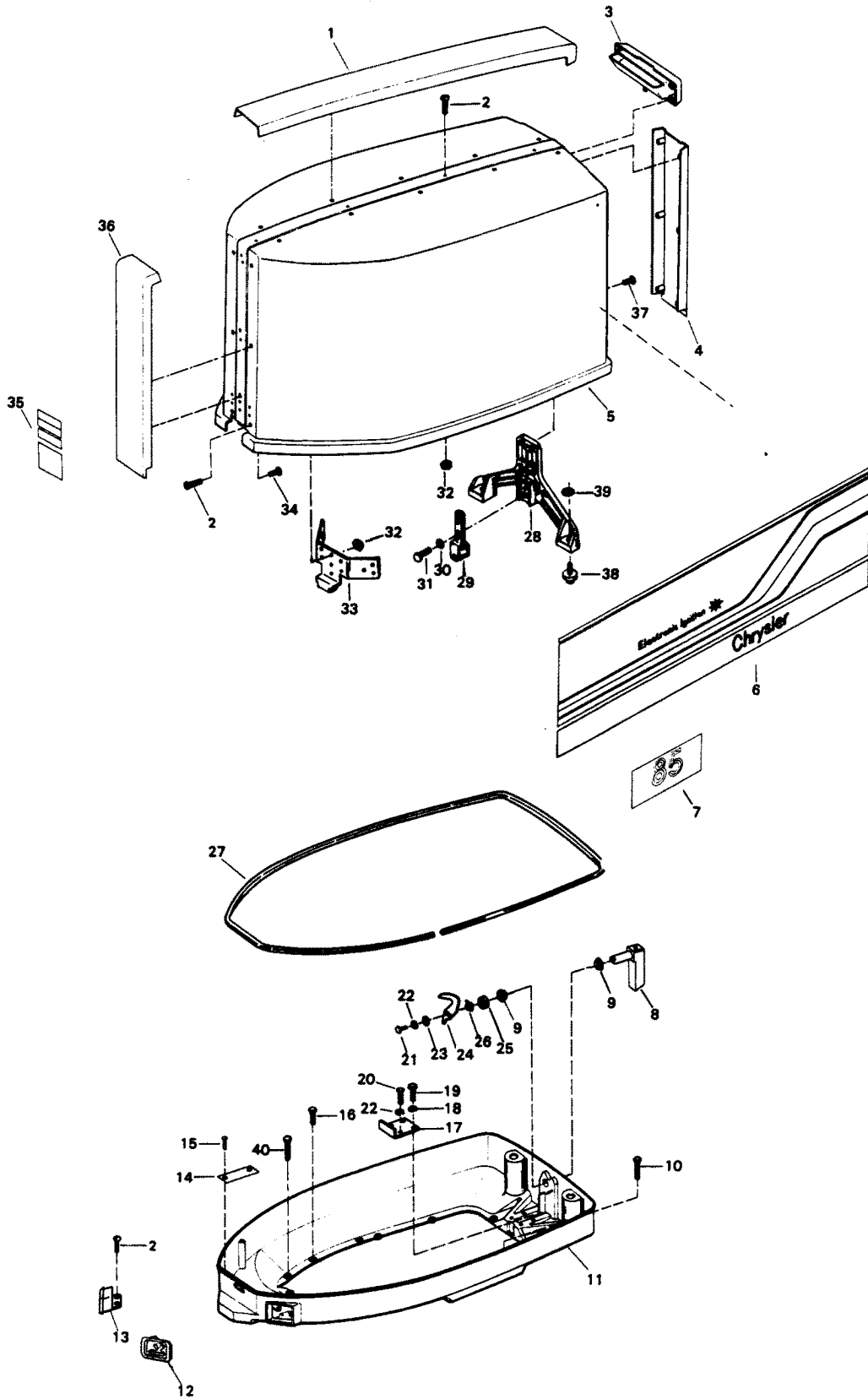
OPT = Optional

NS = Not Shown

THESE PARTS BOOKS/FICHE CARD ARE COPYRIGHTED AND MAY NOT BE DISTRIBUTED OR REPRODUCED IN ANY OTHER FORMAT BY ANYONE OTHER THAN MERCURY MARINE WITHOUT THE PRIOR WRITTEN CONSENT OF MERCURY MARINE.

THIS PAGE INTENTIONALLY LEFT BLANK

ENGINE COVER AND SUPPORT PLATE

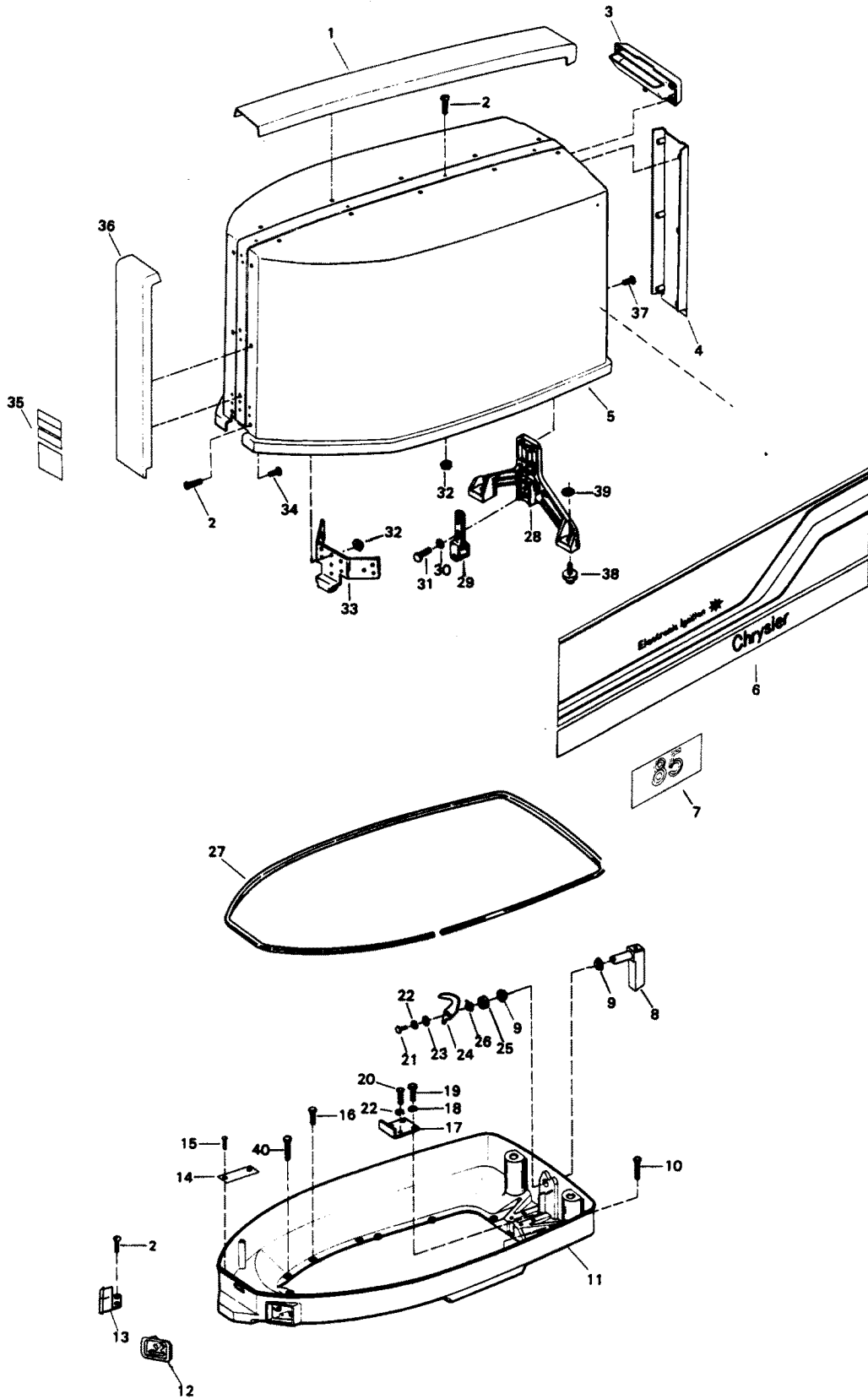


ENGINE COVER AND SUPPORT PLATE

REF. NO.	PART NO.	SYM.	QTY.	DESCRIPTION
1	FA480179		1	TRIM, TOP
2	F1733		10	SCREW, PAN HEAD, 10 - 24 X 9/16
3	FA480269		1	HANDLE, TILT
4	FA548180		1	TRIM, REAR
5	FA549944		1	COVER, ENGINE W/RETAINER, SCREWS & NUTS
-	3C581944		1	COVER, ENGINE COMPLETE INCLUDES ALL ITEMS MARKED WITH AN ASTERISK (*).
6	FA578397		1	DECAL, PORT
-	FA578396		1	DECAL, STARBOARD
7	FA581386		2	DECAL, NUMERAL 85
8	FA481469		1	HANDLE, LATCH ENGINE COVER - W/SHAFT
9	F480818		2	BEARING, LATCH SHAFT
10	F1535		6	CAPSCREW, HEX, 1/4 - 20 X 3/4
11	F480038-2		1	PLATE, SUPPORT
12	F549189		1	BUSHING, ELECTRIC CABLE
13	F545189		1	BUSHING, CABLE ENTRY
14	FA535395		1	PLATE, IDENTIFICATION W/SCREWS - USA
-	FAC535395		1	PLATE, IDENTIFICATION W/SCREWS - CANADA
15	F1447		2	SCREW, RD HD, 2 X 3/16
16	F1540		5	SCREW, HEX SLOT HD, 1/4 - 20 X 5/8
17	F335654-1		1	STOP, DEFLECTION
18	F8096		4	LOCKWASHER
19	F1857		2	CAPSCREW, HEX, 5/16 - 18 X 5/8
20	F1858		2	CAPSCREW HEX, 5/16 - 18 X 1
21	F1541		1	CAPSCREW, HEX, 1/4 - 20 X 5/8
22	F8083		1	LOCKWASHER
23	F8004		1	WASHER, PLAIN
24	F481777		1	CAM, LATCH SHAFT
25	F481382-1		1	SPACER, LATCH SHAFT
26	F2047		1	WASHER, WAVE
27	F321756		1	PACKING
28	F481774		1	BRACKET, ENGINE COVER LATCH
29	FA481743		1	LATCH, ROLLER BRACKET
30	F8096		2	LOCKWASHER
31	F1857		2	CAPSCREW, HEX, 5/16 - 18 X 5/8
32	F1473		7	NUT, HEX, 10 - 24
33	F373778-1		1	RETAINER, ENGINE COVER
34	F2066		26	SCREW, PAN HD, SELF TAPPING, 10 X 16
35	FA578892		1	DECAL, FRONT
36	FA548888		1	TRIM, FRONT
37	F1730		3	SCREW, PAN HD W/LOCKWASHER, 1/4 - 20 X 1 3/8

CONTINUED ON NEXT PAGE ➡

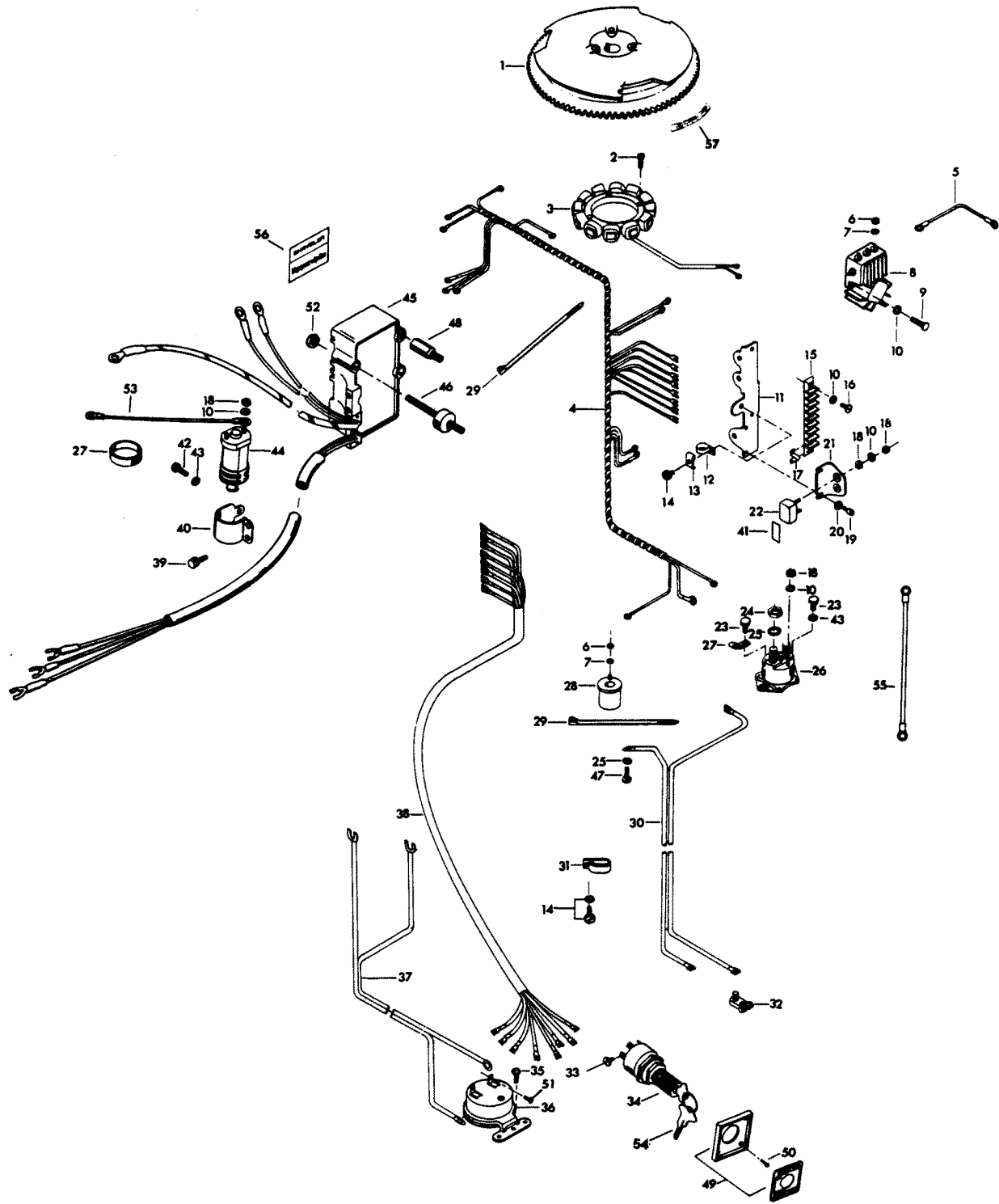
ENGINE COVER AND SUPPORT PLATE



ENGINE COVER AND SUPPORT PLATE

REF. NO.	PART NO.	SYM.	QTY.	DESCRIPTION
38	F481434		2	GUIDE, ENGINE COVER
39	F2088		2	FASTENER
40	F1708		2	CAPSCREW, HEX HD, 1/4 - 20 X 1 3/8
-	F548984		1	BLANKET, SILENCER, TOP (NOT SHOWN)
-	F548985		2	BLANKET, SILENCER, SIDE (NOT SHOWN)

ELECTRICAL COMPONENTS

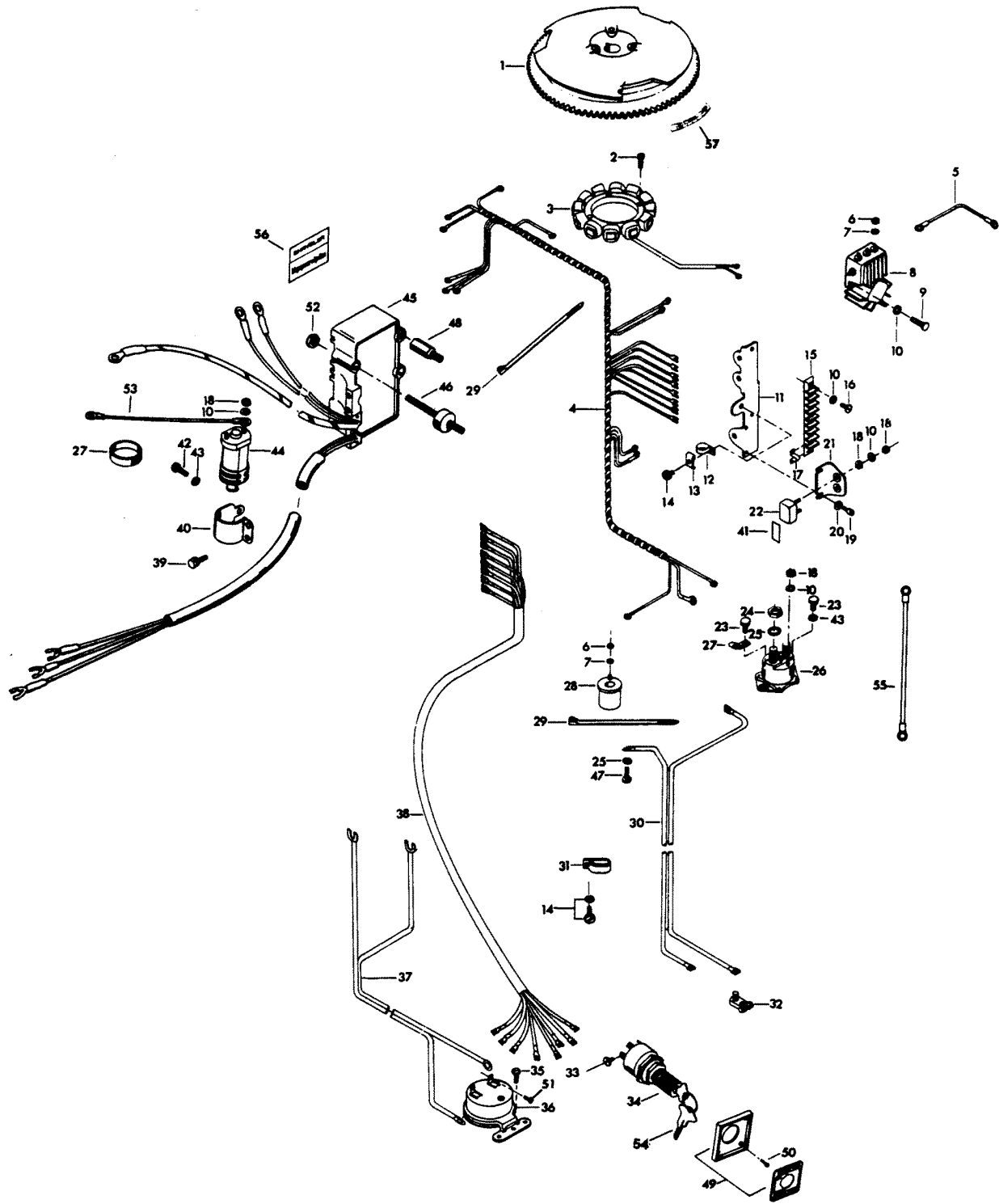


ELECTRICAL COMPONENTS

REF. NO.	PART NO.	SYM.	QTY.	DESCRIPTION
1	F404097		1	FLYWHEEL
2	F1678		6	FILL HD SCREW, 10 - 24 X 13/16
3	F85095-2		1	STATOR
4	F438744-1		1	WIRING HARNESS
5	F345683		1	WIRE, REGULATOR-RECTIFIER GROUND
6	F1647		5	HEX NUT, 8 - 32
7	F8056		5	SPRING LOCKWASHER
8	F404470-1		1	REGULATOR-RECTIFIER
9	F2107		3	FILL HD SCREW, 10 - 24 X 5/8
10	F1975		9	SPRING LOCKWASHER
11	FA438493		1	TERMINAL BLOCK BRACKET
12	F289446-1		1	CLAMP
13	F438668		1	RETAINER, CABLE CLAMP
14	F1734		2	FILL HD SCREW W/LOCKWASHER, 1/4 - 20 X 1/2
15	FA510497		1	TERMINAL BLOCK
16	F1648		2	PAN HD SCREW, 10 - 24 X 3/4
17	F307317		1	CLIP, TERMINAL BLOCK
18	F1513		8	HEX NUT
19	F1760		2	PAN HD SCREW, 10 - 24 X 3/8
20	F8011		2	PLAIN WASHER
21	F91446-1		1	CIRCUIT BREAKER BRACKET
22	F510460		1	CIRCUIT BREAKER
23	F1536		2	HEX CAP SCREW, 1/4 - 20 X 3/4
24	F1515		2	HEX NUT
25	F8096		3	SPRING LOCKWASHER
26	F460917		1	STARTER RELAY
27	F1645		2	RD HD SCREW, 6 - 32 X 1/4
28	F85924		1	CHOKE SOLENOID
29	F1877		2	TY-RAP
30	F381896-4		1	BATTERY CABLE
31	F407446		1	CLAMP
32	F5H041		1	BATTERY TERMINAL KIT (ACCESSORY ITEM)
33	F1280		5	PAN HD SCREW, 8 - 32 X 1/4
34	F5H078		1	IGNITION SWITCH) W/KEYS AND SCREWS (LONG BARREL) (ACCESSORY ITEMS)
35	F1741		2	PAN HD SCREW, 8 X 3/4
36	F5H043		1	OVERHEAT BUZZER (ACCESSORY ITEM)
37	F404841		1	CABLE, HEAT INDICATOR
38	F85843-1		1	REMOTE ELECTRIC CABLE, 18 FEET
39	F1851		2	FILL HD SCREW W/LOCKWASHER, 10 - 24 X 1/2
40	F404513		1	COIL CLAMP
41	F510374		1	DECAL, CIRCUIT BREAKER U.S.A.
-	FC510374		1	DECAL, CIRCUIT BREAKER - CANADA

CONTINUED ON NEXT PAGE ➡

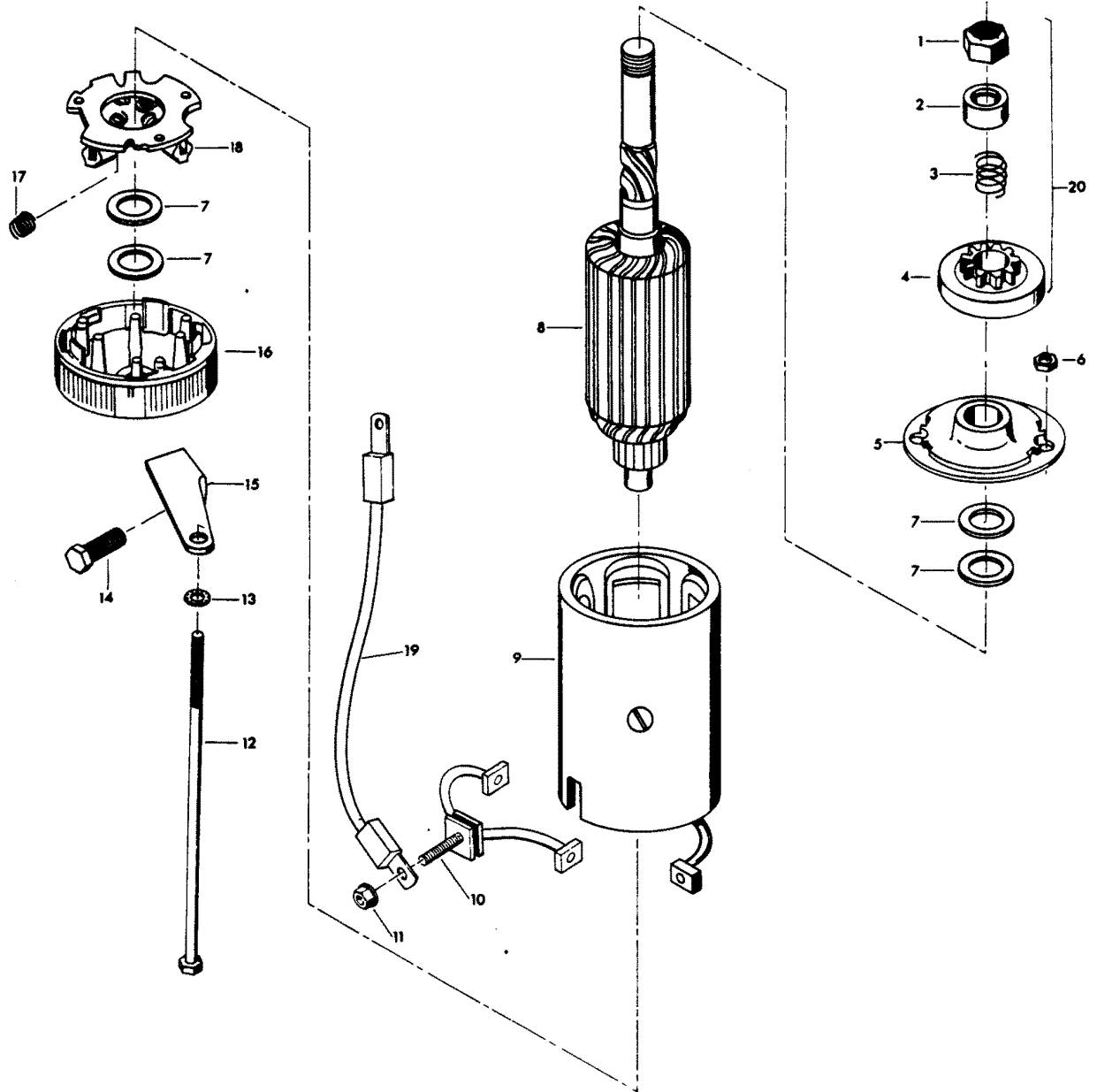
ELECTRICAL COMPONENTS



ELECTRICAL COMPONENTS

REF. NO.	PART NO.	SYM.	QTY.	DESCRIPTION
42	F1546		1	HEX HD CAP SCREW, 1/4 - 20 X 1/2
43	F8083		2	SPRING LOCKWASHER
44	F345475-1		1	COIL
45	300-817855A1		1	UNIT (ORIGINAL FORCE P/N A 523301-1)(Does not include Coil & Clamp)
46	F523962		3	SHOCK MOUNT - C.D. UNIT
47	F2000		1	HEX CAP SCREW, 5/16 - 18 X 3/4
49	F5H038		1	IGNITION SWITCH MOUNTING KIT (ACCESSORY ITEM)
-	817892--1		1	PLATE, IGNITION SWITCH - CANADA (NOT SHOWN)
50	F1934		4	FLAT HD SLOTTED SCREW, 6 X 12
51	F1645		2	RD HD SCREW, 6 - 32 X 1/4
52	F1892		3	STOP NUT
53	F85664		1	WIRE DISTRIBUTOR GROUND
54	FA368700		1	KEY, IGNITION, NO LETTER OR STAMPED A
-	FB368700		1	KEY, IGNITION, STAMPED B
-	FC368700		1	KEY, IGNITION - STAMPED C
-	FD368700		1	KEY, IGNITION - STAMPED D
-	FE368700		1	KEY, IGNITION - STAMPED E
55	F319908		1	WIRE, GROUND, CANADA
56	480373		1	DECAL, MAGNAPOWER IGNITION
57	F474387		1	TIMING DECAL - USA
-	FC474387		1	TIMING DECAL - CANADA
-	F235785		1	DECAL, COMPLIANCE - CANADA (NOT SHOWN)

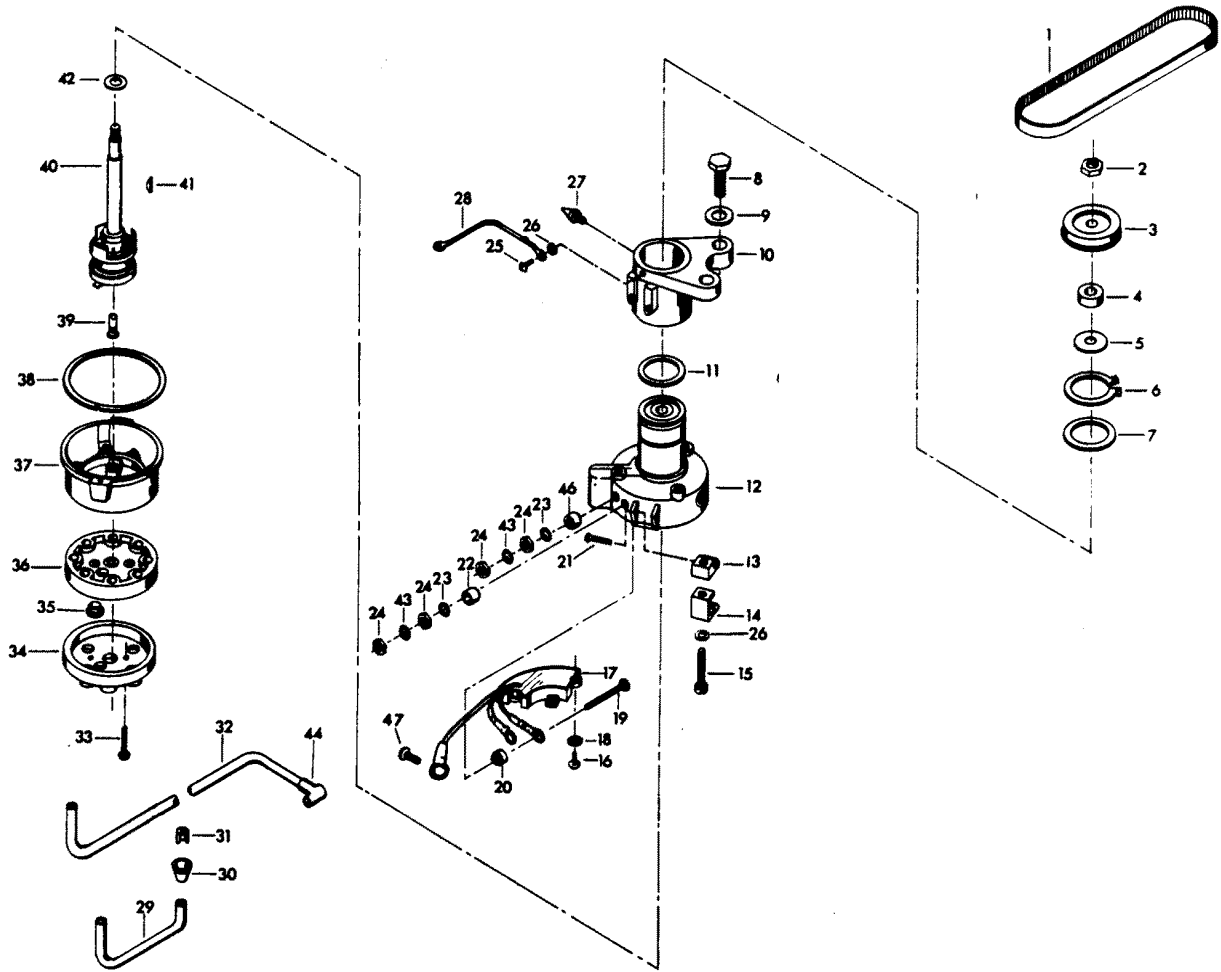
STARTER



STARTER

REF. NO.	PART NO.	SYM.	QTY.	DESCRIPTION
1	F15111		1	NUT, STOP RETAINING
2	F15112		1	STOP, PINION
3	F15080		1	SPRING
4	F15110		1	CLUTCH ASSEMBLY
5	F15167		1	HEAD ASSEMBLY DRIVE END
6	F1641		2	LOCK NUT, 1/4 - 28
7	F15126		1	THRUST WASHER PACKAGE
8	F15099		1	ARMATURE
9	15169		1	FRAME AND FIELD ASSEMBLY
10	F15165		1	BRUSH TERMINAL SET
11	FA15072		1	HEX LOCK NUT, 1/4 - 20
12	F15168		1	THRU BOLT PACKAGE
13	F8028		2	PLAIN WASHER
14	F1502		1	HEX HD SCREW, 1/4 - 20 X 5/8
15	F511675		1	STARTER BRACKET, LOWER
16	F15125		1	HEAD ASSEMBLY, COMMUTATOR END
17	F15034		1	SPRING SET
18	F15057		1	BRUSH PLATE AND HOLDER
19	F85908		1	STARTER LEAD WIRE
20	F15100		1	BENDIX
-	FS480955		1	STARTER COMPLETE
-	FC499390		0	DECAL - CANADA (NOT SHOWN)

DISTRIBUTOR

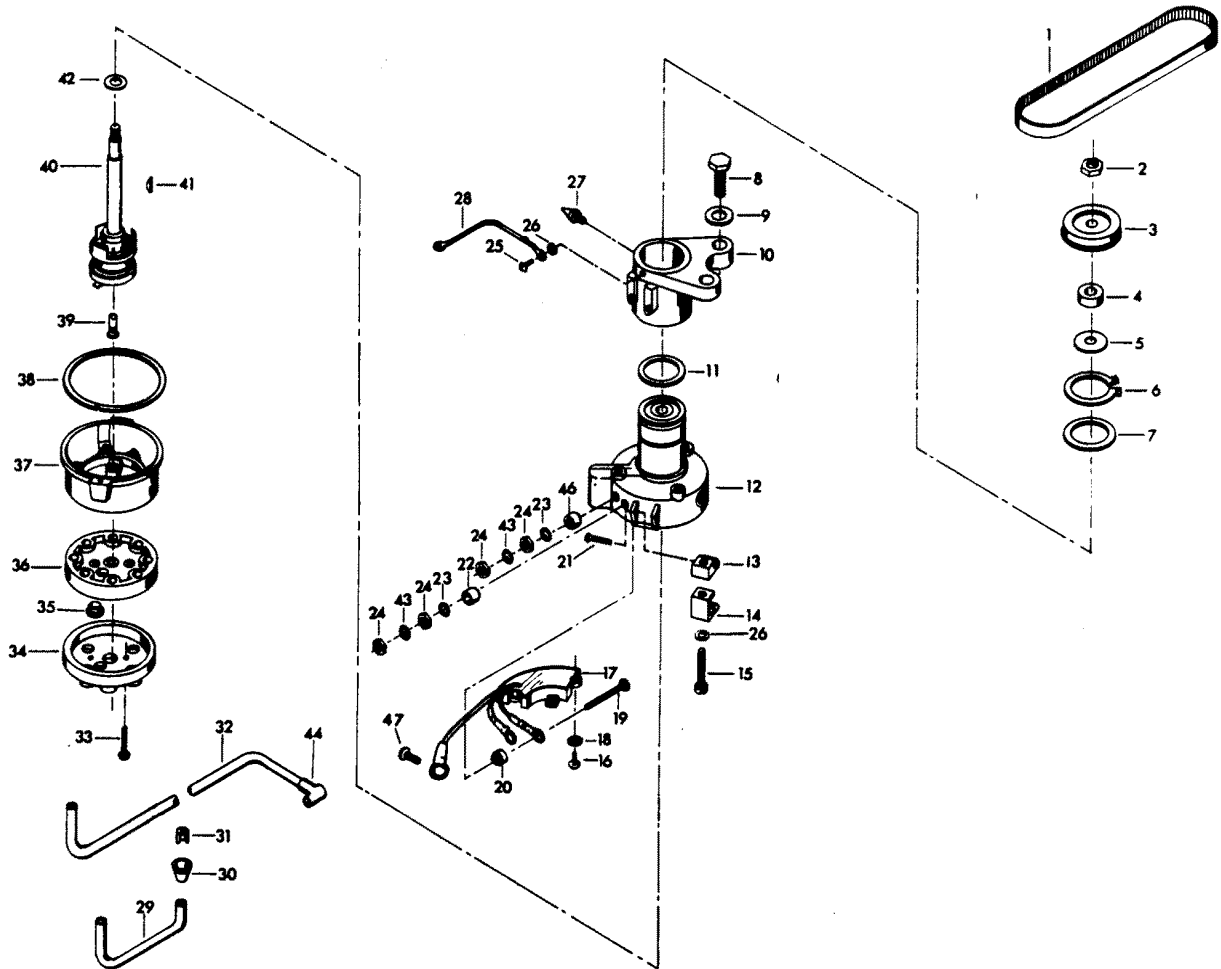


DISTRIBUTOR

REF. NO.	PART NO.	SYM.	QTY.	DESCRIPTION
1	F85311		1	DISTRIBUTOR BELT
2	F7013		1	STOP NUT
3	817786A1		1	DISTRIBUTOR PULLEY
4	F14025		1	SPACER
5	F14028		1	THRUST WASHER
6	F85173		1	RETAINING RING
7	F14029		1	THRUST WASHER
8	F1612		2	HEX CAP SCREW, 3/8 - 16 X 1 1/4
9	F1778		2	PLAIN WASHER
10	FA321574		1	DISTRIBUTOR BRACKET
11	F1759		2	SHIM, DISTRIBUTOR (QTY. AS REQUIRED)
12	F14042		1	DISTRIBUTOR HOUSING W/BEARINGS
13	F14036		2	SWIVEL
14	F14037		2	CAP CLIPS
15	F14038		2	CAP CLIP SCREWS
16	F14045		2	SCREW
17	FA14048-2		1	PREAMPLIFIER
18	F8056		2	LOCKWASHER
19	F14046		2	TERMINAL SCREW
20	F14047		2	TERMINAL INSULATOR (INSIDE)
21	F14015		2	CAP CLIP RIVET
22	F14049		1	TERMINAL INSULATOR (OUTSIDE)
23	F14041		2	EXTERNAL TOOTH LOCKWASHER
24	F1647		4	HEX NUT, 8 - 32
25	F1760		2	PAN HD SCREW, 10 - 24 X 3/8
26	F1975		2	SPRING LOCKWASHER
27	F213274		1	GREASE FITTING
28	F85664		1	DISTRIBUTOR GROUND
29	84-817775A1		1	COIL WIRE W/TERMINAL CLIP - USA
-	F438905		1	COIL WIRE - CANADA
30	F203276		1	BOOT
31	F203673		1	TERMINAL CLIP
32	F321841-3		3	LEAD WIRE - USA
-	F438841-1		3	LEAD WIRE - CANADA
33	F14007		2	CAP SCREW
34	F14011-1		1	CAP COVER
35	F14040		2	VENT
36	F14020-1		1	CAP SEAL
37	F14006-2		1	CAP BASE
38	F14030		1	CAP GASKET
39	F14012-1		1	BRUSH
40	F14043		1	DISTRIBUTOR SHAFT
41	F1692		1	WOODRUFF KEY

CONTINUED ON NEXT PAGE ➡

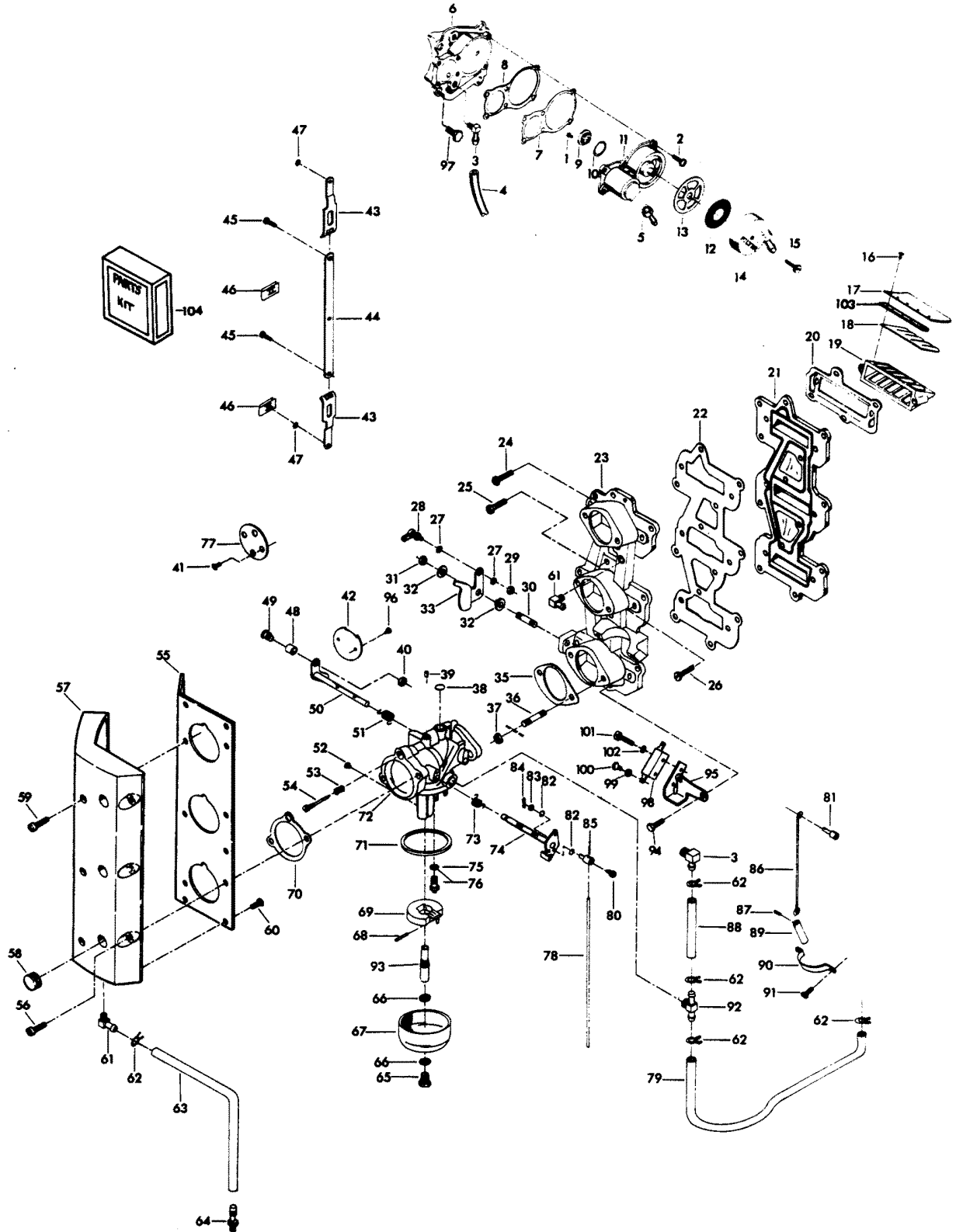
DISTRIBUTOR



DISTRIBUTOR

REF. NO.	PART NO.	SYM.	QTY.	DESCRIPTION
42	F14024		1	SPACER
43	F8056		2	LOCKWASHER
44	FK750-1		3	SPARKIE W/SPRING
46	F14017		1	TERMINAL INSULATOR (OUTSIDE)
47	F14056		1	SCREW
-	817822A1		1	DISTRIBUTOR
-	481373		1	DECAL, "ELECTRONIC" (NOT SHOWN)

CARBURETOR

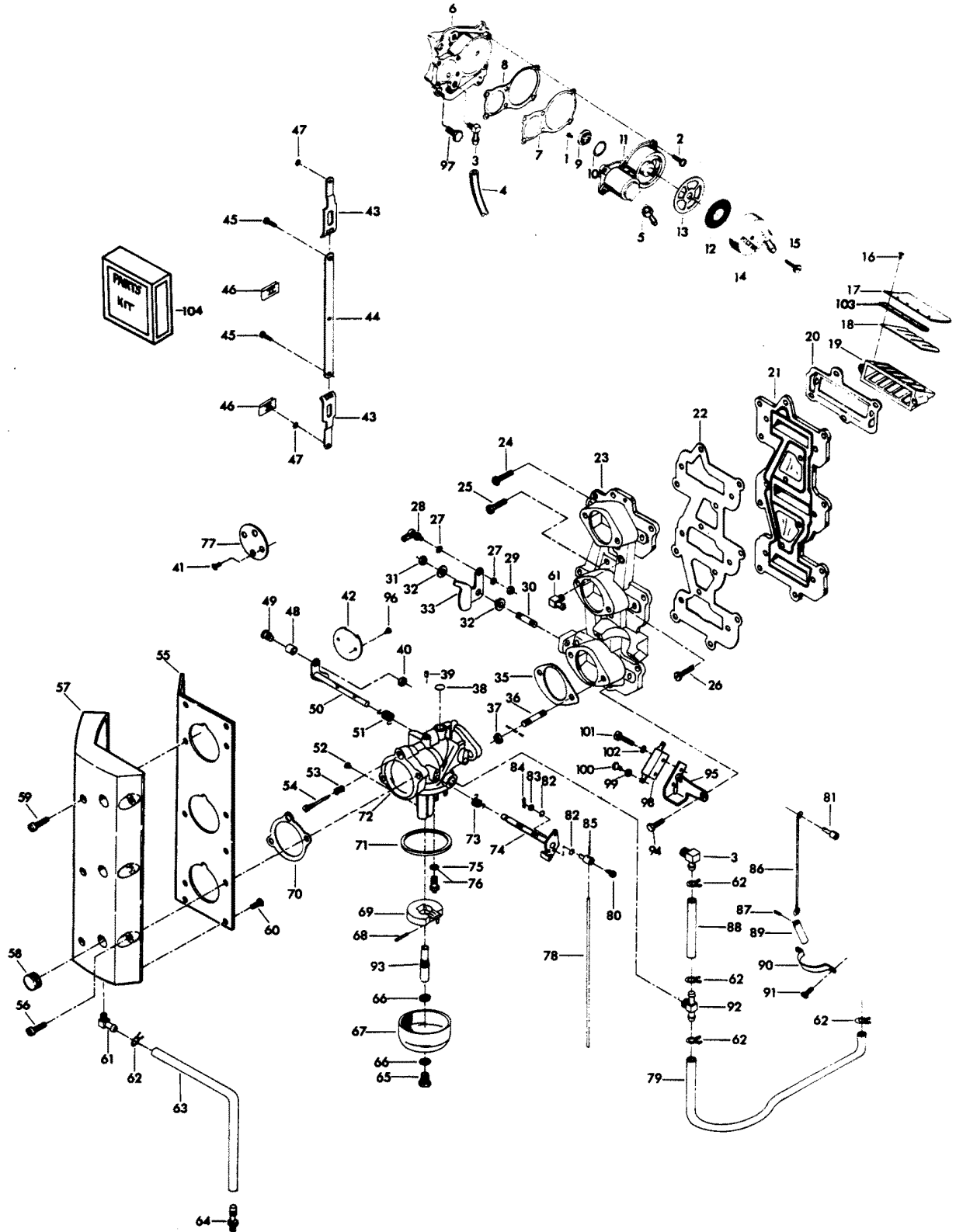


CARBURETOR

REF. NO.	PART NO.	SYM.	QTY.	DESCRIPTION
1	F1860		2	SLOTTED BINDING HD SCREW, 6 - 32 X 1/4
2	F1108		6	FILL HD SCREW W/LOCKWASHER, 1/4 - 20 X 3/4
3	F84314-2		2	ELBOW
4	F89758		1	FUEL PUMP AIR HOSE, TOP
5	F438801		1	FITTING
6	FA439746		1	FUEL PUMP COVER
7	F438747		1	FUEL PUMP DIAPHRAGM
8	F438760		1	FUEL PUMP GASKET
9	F177330		3	FUEL PUMP VALVE
10	F84792		1	GASKET, FUEL PUMP VALVE
11	FA438431		1	FUEL PUMP BODY W/VALVES
12	F438653		1	FUEL SEDIMENT BOWL SCREEN
13	F438617		1	FUEL SEDIMENT BOWL GASKET
14	F438500		1	FUEL SEDIMENT BOWL
15	F438165		1	SCREW, FUEL PUMP BOWL
16	F1755		30	RD HD SCREW W/LOCKWASHER, 6 - 32 X 5/16
17	F85161-1		6	REED STOP
18	F530160		6	REED (5 PETAL)
19	F3A523158		3	REED PLATE W/REEDS, REED STOP AND SCREW
20	F85168		3	GASKET REED PLATE ADAPTER
21	F85162		1	REED PLATE ADAPTER
22	F85159		1	GASKET, INTAKE MANIFOLD
23	817959A3		1	INTAKE MANIFOLD
24	F2008		8	HEX HD SCREW, 1/4 - 20 X 7/8
25	F1916		2	HEX HD SCREW, 1/4 - 20 X 1 1/8
26	F2050		6	HEX HD SCREW, 1/4 - 20 X 1 1/2
27	F8058		2	INTERNAL TOOTH LOCKWASHER
28	817747--1		1	BALL JOINT W/STUD
29	F1513		1	HEX NUT, 10 - 32
30	F433209-1		1	STUD
31	F1910		1	STOP NUT, 1/4 - 20
32	F269319		2	BEARING
33	F85192-1		1	THROTTLE CAM
35	F85906		3	CARBURETOR GASKET
36	F40209		6	CARBURETOR STUD
37	F1515		6	HEX NUT, 5/16 - 18
38	FO4326		1	BODY CHANNEL WELCH PLUG
39	FO10588		1	BODY CHANNEL CUP PLUG
40	F1997		1	STOP NUT, 8 - 32
41	FO8942		2	SHUTTER SCREW W/LOCKWASHER
42	FO16851		1	THROTTLE SHUTTER
43	FA85193		2	TIE BAR END W/SWIVEL
44	FA85511		1	THROTTLE TIE BAR W/SWIVEL

CONTINUED ON NEXT PAGE ➡

CARBURETOR

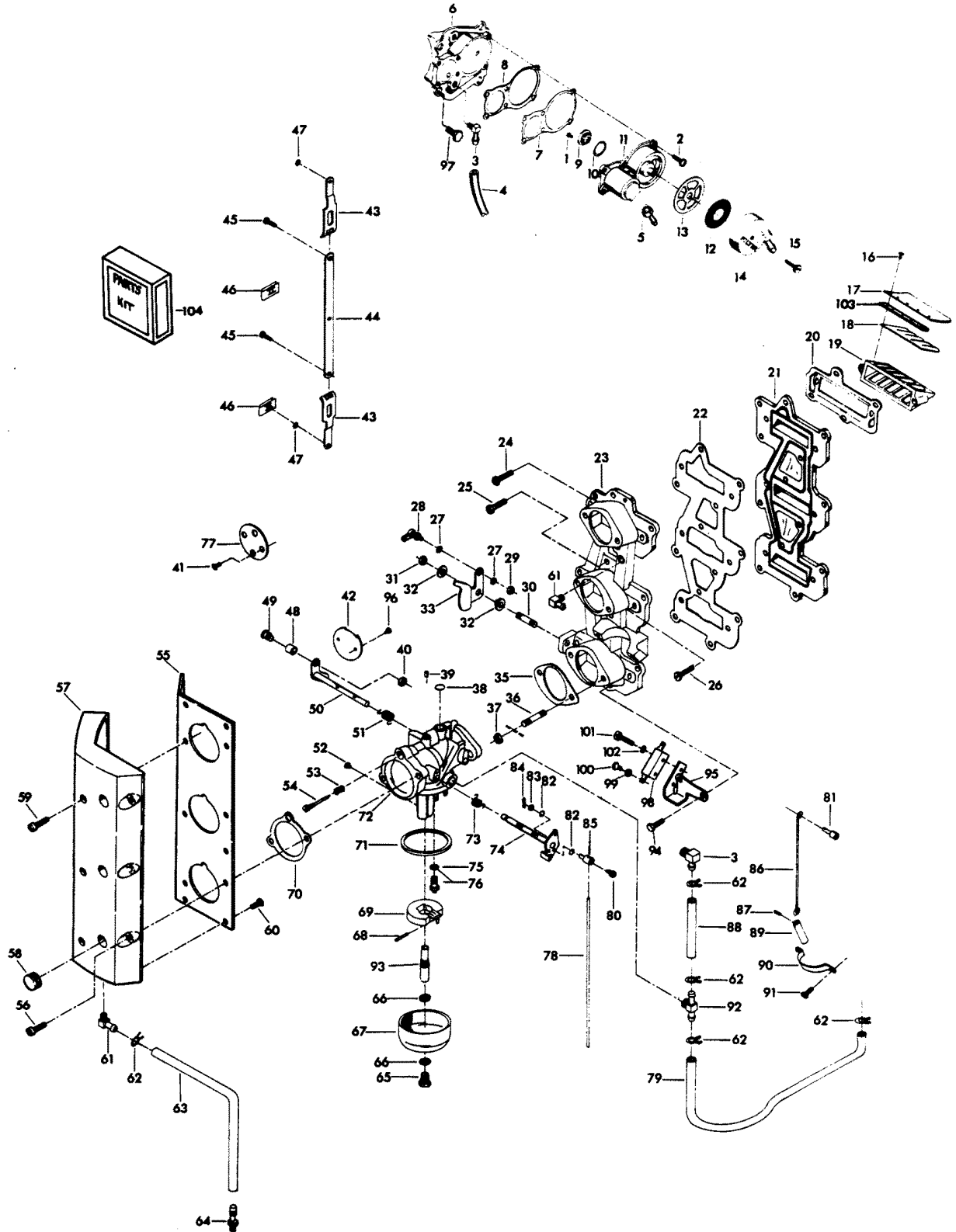


CARBURETOR

REF. NO.	PART NO.	SYM.	QTY.	DESCRIPTION
45	F1064		2	FILL HD SCREW, S.S., 8 - 32 X 3/8
46	F1693		2	TIE BAR RETAINER
47	F90807		3	RETAINING RING
48	F92759		1	THROTTLE ROLLER
49	F333316		1	THROTTLE ROLLER SHAFT
50	FO15230		1	THROTTLE SHAFT AND LEVER
51	FO16008		1	THROTTLE SHAFT RETURN SPRING
52	FO15026		1	MAIN FUEL JET STD. (.072) SEA LEVEL - 1500 FT.
-	FO13430		0	MAIN FUEL JET OPT. (.070) 1500 FT. - 3000 FT.
-	FO13967		0	MAIN FUEL JET OPT. (.068) 3000 FT. - 4500 FT.
-	FO14188		0	MAIN FUEL JET OPT. (.066) 4500 FT. - 6000 FT.
-	FO14108		0	MAIN FUEL JET OPT. (.064) 6000 FT. & UP OPTIONAL SIZE MAIN FUEL JETS (JSE ONLY AT ALTITUDES INDICATED)
53	FO11103		1	IDLE SCREW SPRING
54	FO13946		1	IDLE SCREW
55	F481567		1	CARBURETOR INTAKE ADAPTER
56	F1504		3	FILL HD SCREW, 1/4 - 20 X 1 1/4
57	F481860-1		1	CARBURETOR, INTAKE
58	F53504		3	GROMMET
59	F1072		3	FILL HD SCREW, 1/4 - 20 X 1 3/4
60	F1760		6	PAN HD SCREW, 10 - 24 X 3/8
61	22-818103--1		2	ELBOW
62	F97772		6	HOSE CLAMP
63	F63754		1	HOSE INTAKE DRAIN
64	22-817789A1		1	DRAIN FITTING
65	FO13945		1	FUEL BOWL RETAINING SCREW
66	FO2510		2	GASKET, FUEL BOWL RETAINING SCREW
67	FO13552		1	FUEL BOWL
68	FO13944		1	FLOAT LEVER PIN
69	FO13554		1	FLOAT
70	F481836		3	INTAKE GASKET
71	FO15623		1	FUEL BOWL GASKET
72	F481061-2		3	CARBURETOR COMPLETE (WB2IC)
73	FO13947		1	CHOKE SHAFT RETURN SPRING
74	FO16850		1	CHOKE SHAFT AND LEVER
75	FO10165		1	INLET SEAT GASKET
76	FO10790		1	INLET NEEDLE, SEAT AND GASKET
77	FO13555		1	CHOKE SHUTTER
78	F85509-1		1	CHOKE LINK
79	F438754		1	FUEL LINE
80	F1059		3	FILL HD SCREW, S.S., 6 - 32 X 1/4
81	F85033		1	CHOKE ROD SWIVEL
82	F184579		6	SEAL, CHOKE ARM SWIVEL

CONTINUED ON NEXT PAGE ➡

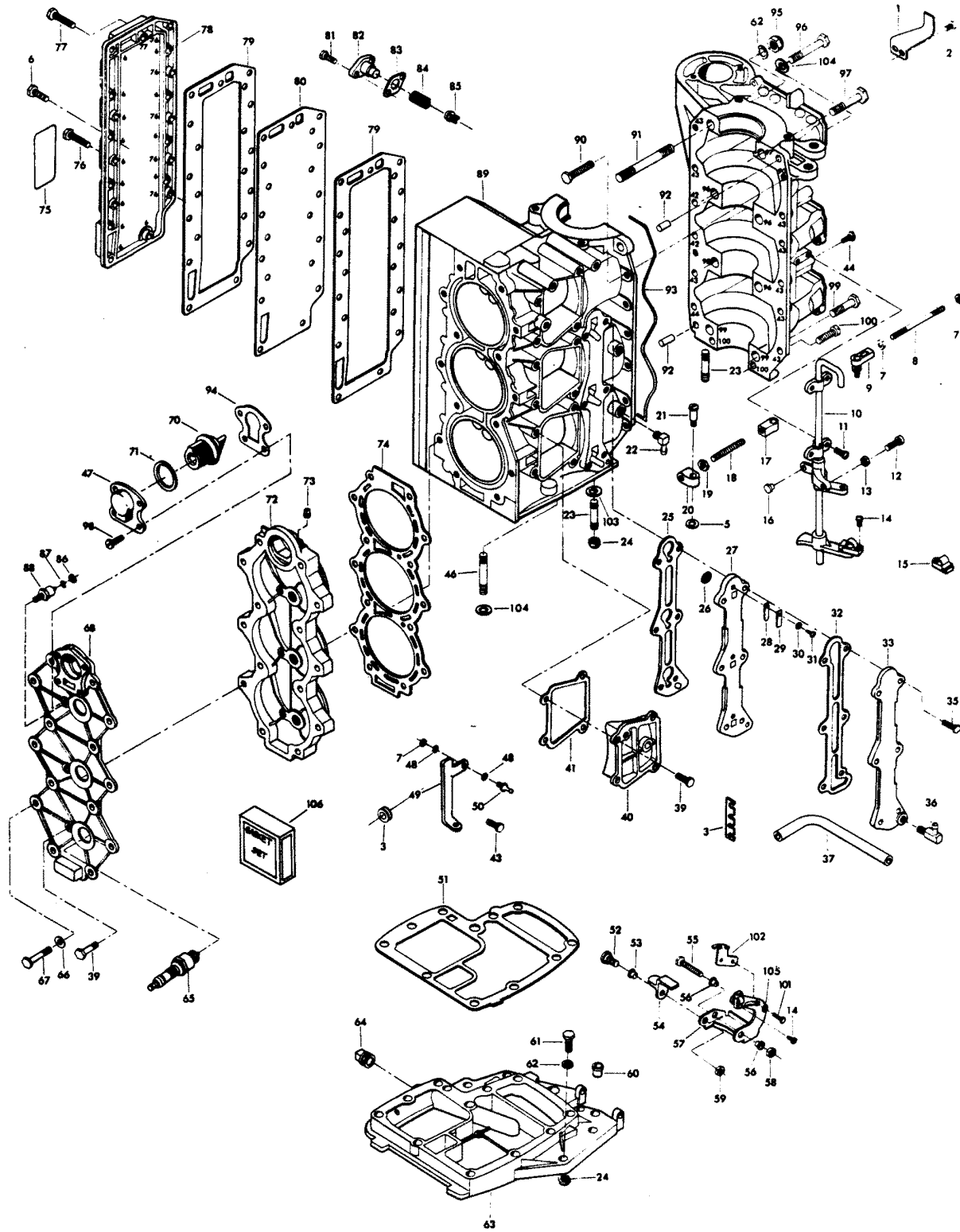
CARBURETOR



CARBURETOR

REF. NO.	PART NO.	SYM.	QTY.	DESCRIPTION
83	F8088		3	PLAIN WASHER
84	F1014		3	COTTER PIN
85	F184033-1		2	CHOKE ARM SWIVEL
86	F85925		1	CHOKE ROD
87	F2033		1	GROOVE PIN
88	F85253-1		2	FUEL LINE
89	F391926-1		1	CHOKE SOLENOID PLUNGER
90	F85317-1		1	CLAMP
91	F1545		2	HEX HD SCREW, 1/4 - 20 X 1/2
92	F85314-1		2	FUEL FITTING
93	FO15217		1	MAIN NOZZLE
94	F1532		2	HEX HD SCREW, 1/4 - 20 X 1
95	F480551-1		1	BRACKET INTERLOCK SWITCH
96	FO8942		2	THROTTLE SHUTTER SCREW AND LOCKWASHER
97	F1502		4	HEX CAP SCREW, 1/4 - 20 X 5/8
98	F84449		1	INTERLOCK SWITCH
99	F1704		2	INTERNAL TOOTH LOCKWASHER
100	F1645		2	RD HD SCREW, 6 - 32 X 1/4
101	F2016		2	FILL HD SCREW, 6 - 32 X 7/8
102	F8088		2	PLAIN WASHER
103	F523451		6	SPACER, REED STOP
-	F10000		1	GASKET SET(NOT SHOWN)
104	F10102		1	REPAIRS PART KIT. INCLUDES ALL ITEMS MARKED WITH AN ASTERISK (*).
-	F8026		1	PLAIN WASHER

POWER HEAD

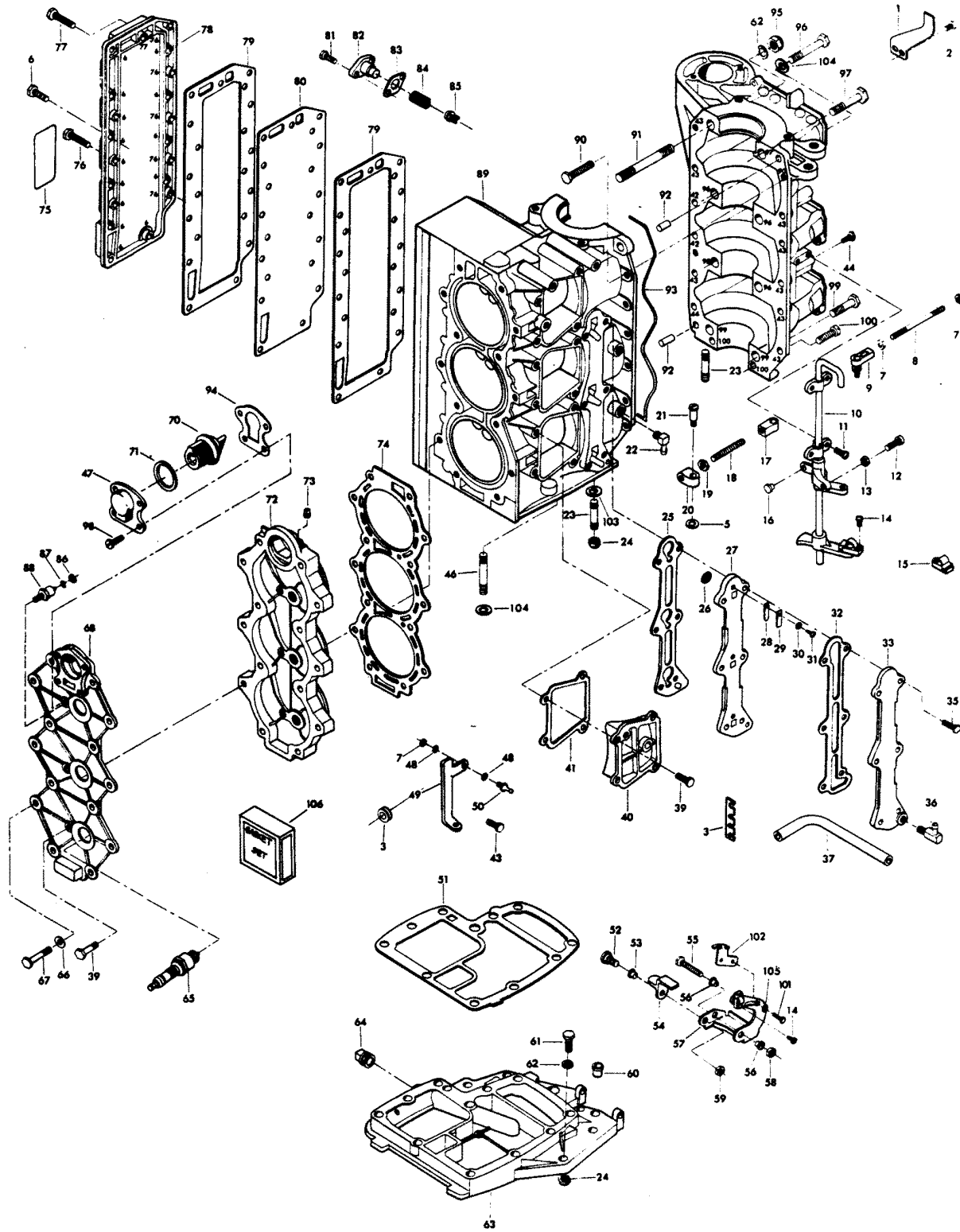


POWER HEAD

REF. NO.	PART NO.	SYM.	QTY.	DESCRIPTION
1	FA80894		1	TIMING POINTER
2	F1760		2	PAN HD SCREW, 10 - 24 X 3/8
3	F523834		1	CLIP, SPARK PLUG WIRE
5	F2042		1	PLAIN WASHER
6	F1533		14	HEX BOLT, 1/4 - 20 X 7/8
7	F1513		4	HEX NUT, 10 - 32
8	F85502		1	THROTTLE LINK
9	817747--1		1	BALL JOINT W/STUD
10	FA85838-5		1	TOWERSHAFT W/BEARINGS, SWIVEL, ARMS AND SCREW
11	F1475		4	FILL HD SCREW, 10 - 24 X 1/2
12	F1504		1	FILL HD SCREW, 1/4 - 20 X 1 1/4
13	F1341		1	HEX NUT, 1/4 - 20
14	F1556		2	FILL HD SCREW W/LOCKWASHER, 10 - 24 X 3/8
15	FK405020		2	SWIVEL W/PIVOT SCREW AND NUT
16	F1727		1	PLASTIC RIVET
17	F85036		1	TOWERSHAFT CONTROL ROD END
18	F85445		1	DISTRIBUTOR CONTROL ROD
19	F2015		1	HEX NUT, 1/4 - 28
20	F85035		1	DISTRIBUTOR CONTROL ROD END
21	F85026		1	SWIVEL
22	F84314-2		1	ELBOW
23	F85859		4	STUD, FORWARD
24	F7004		10	STOP NUT, 3/18 - 16
25	F85748-2		1	GASKET, CYLINDER DRAIN REED PLATE
26	F93811		3	SCREEN
27	F2A404757		1	CYLINDER DRAIN REED PLATE W/REEDS, STOPS, METERG CUP & SCRWS
28	F18160-2		3	REED
29	F93920		3	REED STOP
30	F8003		3	PLAIN WASHER
31	F1286		3	PAN HD SCREW, 4 - 40 X 3/16
32	F85472-2		1	GASKET, CYLINDER DRAIN COVER
33	817787A1		1	CYLINDER DRAIN COVER
35	F1532		6	HEX HD SCREW, 1/4 - 20 X 1
36	F404801		1	FITTING
37	F433253		1	HOSE
39	F1540		8	HEX HD SCREW, 1/4 - 20 X 5/8
40	FA411222		2	TRANSFER PORT COVER W/PLUG
41	F40223		3	GASKET, TRANSFER PORT COVER
42	F1534		2	HEX CAP SCREW, 1/4 - 20 X 7/8
43	F1532		10	HEX HD SCREW, 1/4 - 20 X 3/4
44	F1199		1	HEX CAP SCREW, 1/4 - 20 X 1
46	F85211		6	STUD, REAR

CONTINUED ON NEXT PAGE ➡

POWER HEAD

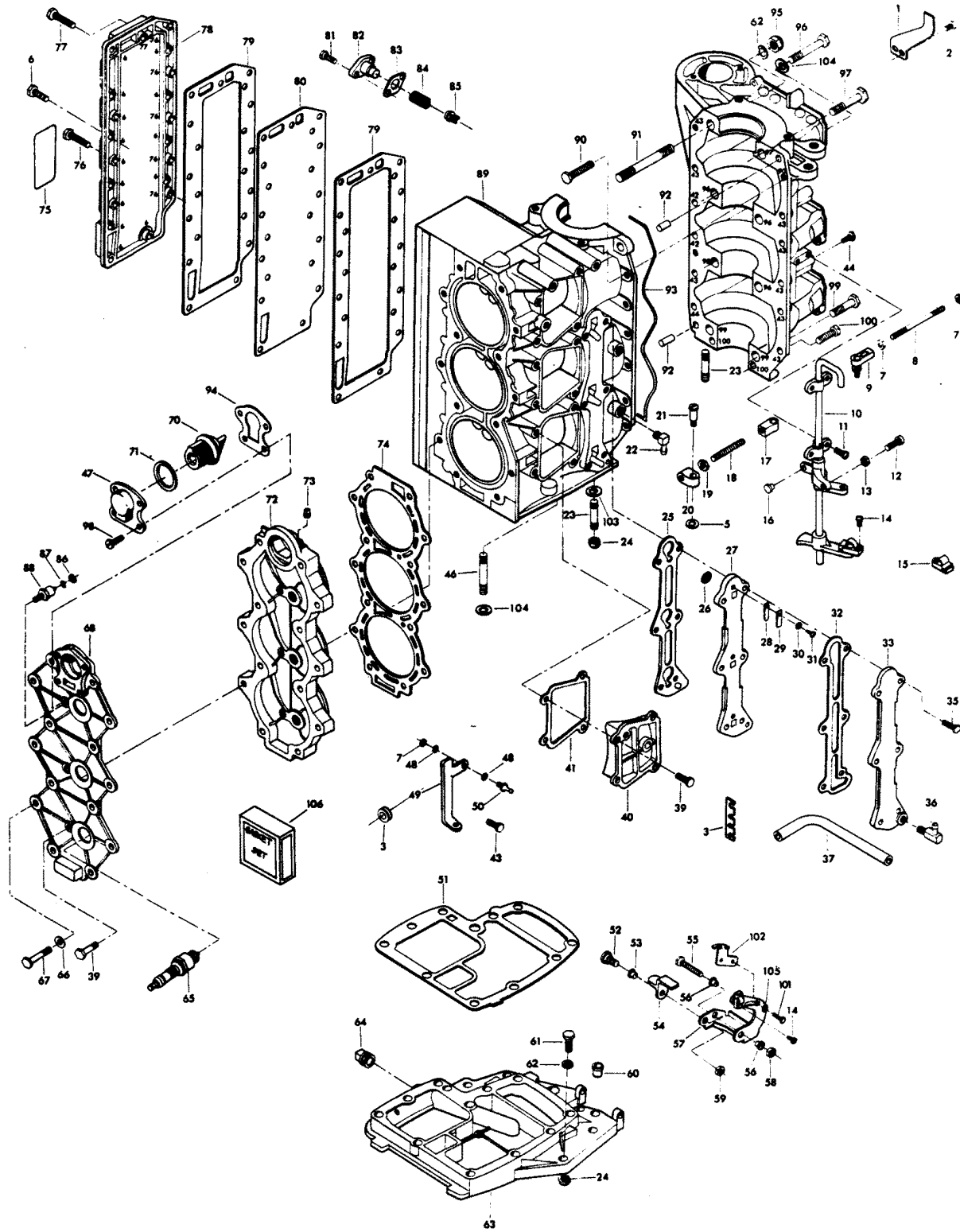


POWER HEAD

REF. NO.	PART NO.	SYM.	QTY.	DESCRIPTION
47	F476066-1		1	COVER, THERMOSTAT
48	F8058		4	INTERNAL TOOTH LOCKWASHER
49	85872---1		1	BRACKET
50	F98273		2	ROD END CONNECTOR STUD
51	F85279-2		1	CYLINDER EXHAUST GASKET, UPPER
52	F369887		1	SHOULDER SCREW
53	F369610		1	BEARING
54	F369977-1		1	INTERLOCK ARM
55	F1885		1	HEX BOLT, 5/16 - 18 X 4 1/4
56	F85610		2	BEARING
57	FA480876		1	GEAR SHIFT ARM W/SWIVEL, INTERLOCK ARM AND BEARINGS
58	F2108		1	STOP NUT, 5/16 - 18
59	F1832		1	STOP NUT, 1/4 - 20
60	F40689-1		1	BEARING, TOWERSHAFT
61	F1869		6	HEX BOLT, 3/8 - 16 X 1 1/4
62	F1703		6	SPRING LOCKWASHER
63	817788A3		1	SPACER PLATE W/PLUGS
64	F2090		1	PLUG
65	33-97180		3	SPARK PLUG (CHAMPION L-20-V) USA
-	FC522227		3	SPARK PLUG QUL-77V (CANADA)
66	F1087		14	PLAIN WASHER
67	F1883		14	HEX BOLT, 5/16 - 18 X 2 3/8
68	F499995		1	CYLINDER HEAD COVER
70	F528068		1	THERMOSTAT
71	F84504		1	GROMMET
72	F480518		1	CYLINDER HEAD
73	F19109		1	PLUG
74	F369529-1		1	CYLINDER HEAD GASKET
75	F438398		1	DECAL, WIRING - USA
-	FC438398		1	DECAL, WIRING - CANADA
76	F1709		5	HEX HD SCREW, 1/4 - 20 X 1 1/8
77	F1708		1	HEX HD SCREW, 1/4 - 20 X 1 3/8
78	F85152-4		1	EXHAUST PORT COVER
79	F85154-1		2	GASKET, EXHAUST PORT PLATE
80	F85151-1		1	EXHAUST PORT PLATE
81	F1950		2	HEX HD SCREW, 10 - 24 X 5/8
82	F438066		1	BY-PASS VALVE COVER
83	F85762		1	GASKET, BY PASS
84	F404268		1	SPRING, BY-PASS VALVE
85	F85916-1		1	BY-PASS VALVE
86	F1647		1	HEX NUT, 10 - 32
87	F8056		1	SPRING LOCKWASHER

CONTINUED ON NEXT PAGE ➡

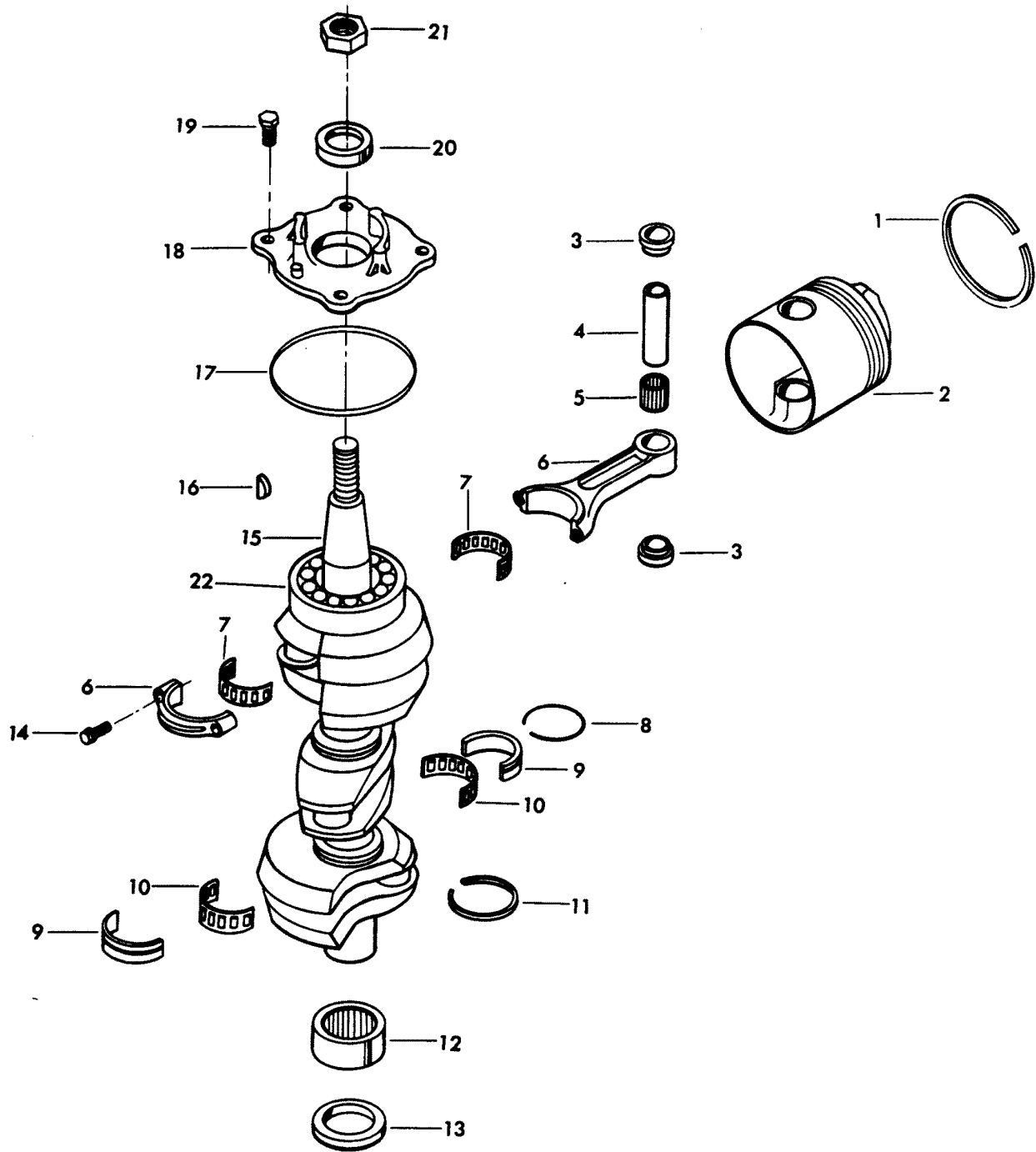
POWER HEAD



POWER HEAD

REF. NO.	PART NO.	SYM.	QTY.	DESCRIPTION
88	87-817778A1		1	THERMOSWITCH
89	800-817823A7		1	CYLINDER ASSEMBLY W/PARTNG LINE SEAL & LOWR MAIN BEARG ASS'Y
-	800-817901A9		1	SHORT BLOCK (NOT SHOWN). INCLUDES ALL ITEMS MARKED WITH AN ASTERISK (*). ALSO REFER TO CRANKSHAFT PAGE. ORIGINAL FORCE P/N C481010 - 4
90	F1535		1	HEX HD SCREW, 1/4 - 20 X 3/4
91	F85210		1	STUD
92	F8563		2	DOWEL PIN
93	F85122		1	PARTING LINE SEAL
94	F476067		1	GASKET, THERMOSTAT COVER
95	F1347		1	HEX NUT, 3/8 - 16
96	F1873		4	HEX BOLT, 3/8 - 16 X 3
97	F1009		1	HEX BOLT, 3/8 - 16 X 2 3/4
98	F1110		4	FILL HD SCREW, 1/4 - 20 X 5/8
99	F1872		2	HEX BOLT, 3/8 - 16 X 1 3/4
100	F1099		2	FILL HD SCREW, 1/4 - 20 X 1 1/4
101	F2089		2	SLOTTED PAN HD MACHINE SCREW, 10 - 24 X 5/16
102	F480107-1		1	CAM, STARTER INTERLOCK
103	F8038		4	PLAIN WASHER
104	F8095		14	PLAIN WASHER
105	F2042		2	PLAIN WASHER
106	FG1020		1	GASKET SET
-	F40223		3	TRANSFER PORT COVER GASKET
-	F84278		1	CRANKSHAFT BRG. SEAL CAGE SEAL
-	F84504		1	THERMOSTAT GROMMET
-	F85122		1	CRANKCASE SEAL
-	F85154-1		2	EXHAUST PORT PLATE GASKET
-	F85159		1	MANIFOLD GASKET
-	F85168		3	CARBURETOR ADAPTER FLANGE GASKET
-	F85279-2		1	CYLINDER, EXHAUST - UPPER GASKET
-	F85472-2		1	CYLINDER DRAIN COVER GASKET
-	F85748-2		1	CYLINDER DRAIN REED PLATE GASKET
-	F85762		1	BY-PASS VALVE GASKET
-	F85836-1		3	INTAKE GASKET
-	F85906		3	CARBURETOR GASKET
-	F369529-1		1	CYLINDER HEAD GASKET
-	F476067		1	THERMOSTAT COVER GASKET
-	F481836		3	INTAKE GASKET

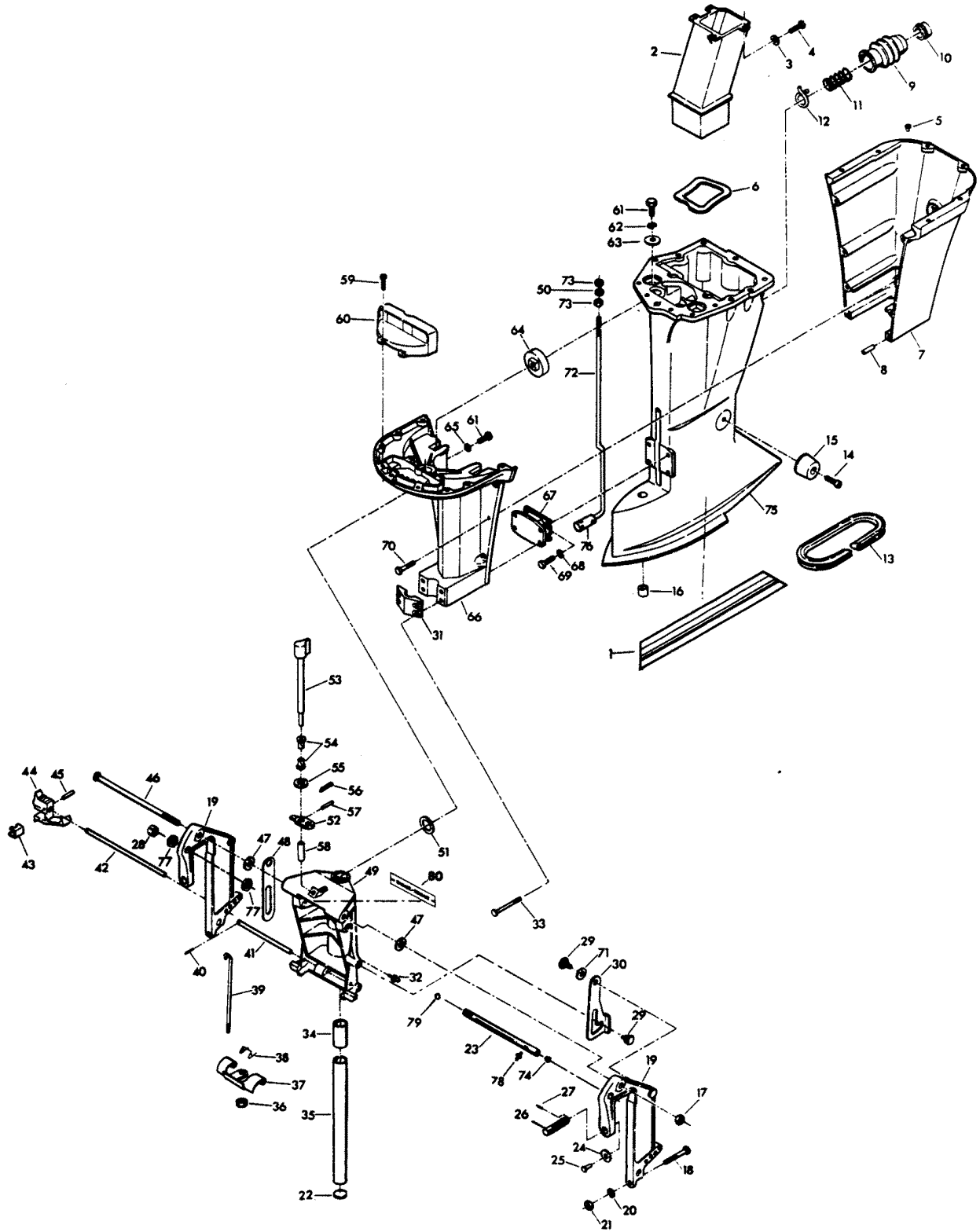
CRANKSHAFT AND PISTON GROUP



CRANKSHAFT AND PISTON GROUP

REF. NO.	PART NO.	SYM.	QTY.	DESCRIPTION
1	FA335260		3	PISTON RING SET (3 PER SET)
-	FSA335260		3	PISTON RING (3 PER SET) .010 OVERSIZE (NOT SHOWN)
-	39-818110A1		3	PISTON RING (3 PER SET) .030 OVERSIZE (NOT SHOWN)
2	700-F372015-3		3	PISTON
-	700-817988A2		3	PISTON .010 OVERSIZE (NOT SHOWN)
-	700-818111A2		3	PISTON .030 OVERSIZE (NOT SHOWN)
3	F335215		6	SPACER, PISTON PIN (2 PER PISTON)
4	F85017		3	PISTON PIN
5	F335217-1		3	BEARING, PISTON PIN (26 PER SET)
6	600-818052A4		3	CONNECTING ROD W/CAP AND SCREWS
7	FK85228		3	BEARING CAGE W/ROLLER
8	F85410		2	SNAP RING
9	FA85655-1		2	CRANKSHAFT MAIN BEARING RACE W/SNAP RING
10	F85571		2	BEARING CAGE W/ROLLER
11	F316579		2	SEAL, CRANKCASE
12	FA523014		1	CRANKSHAFT LOWER MAIN BEARING W/SEAL
13	F523146		1	SEAL, LOWER
14	F85634-2		6	CONNECTING ROD SCREW
15	FA85018-2		1	CRANKSHAFT W/BEARING
16	F85498		1	FLYWHEEL KEY
17	F84278		1	SEAL, CRANKSHAFT BEARING CAGE
18	31-817785A2		1	CRANKSHAFT BEARING CAGE W/SEAL
19	F1867		4	HEX CAP SCREW, 3/8 - 16 X 1
20	F84146-2		1	SEAL
22	F1968		1	FLYWHEEL NUT
	F284659-2		1	CRANKSHAFT THRUST BEARING UPPER
-	F2067		1	PLASTISOL CAP (NOT SHOWN) FOR EXPOSED THREADS OF CRANKSHAFT

MOTOR LEG

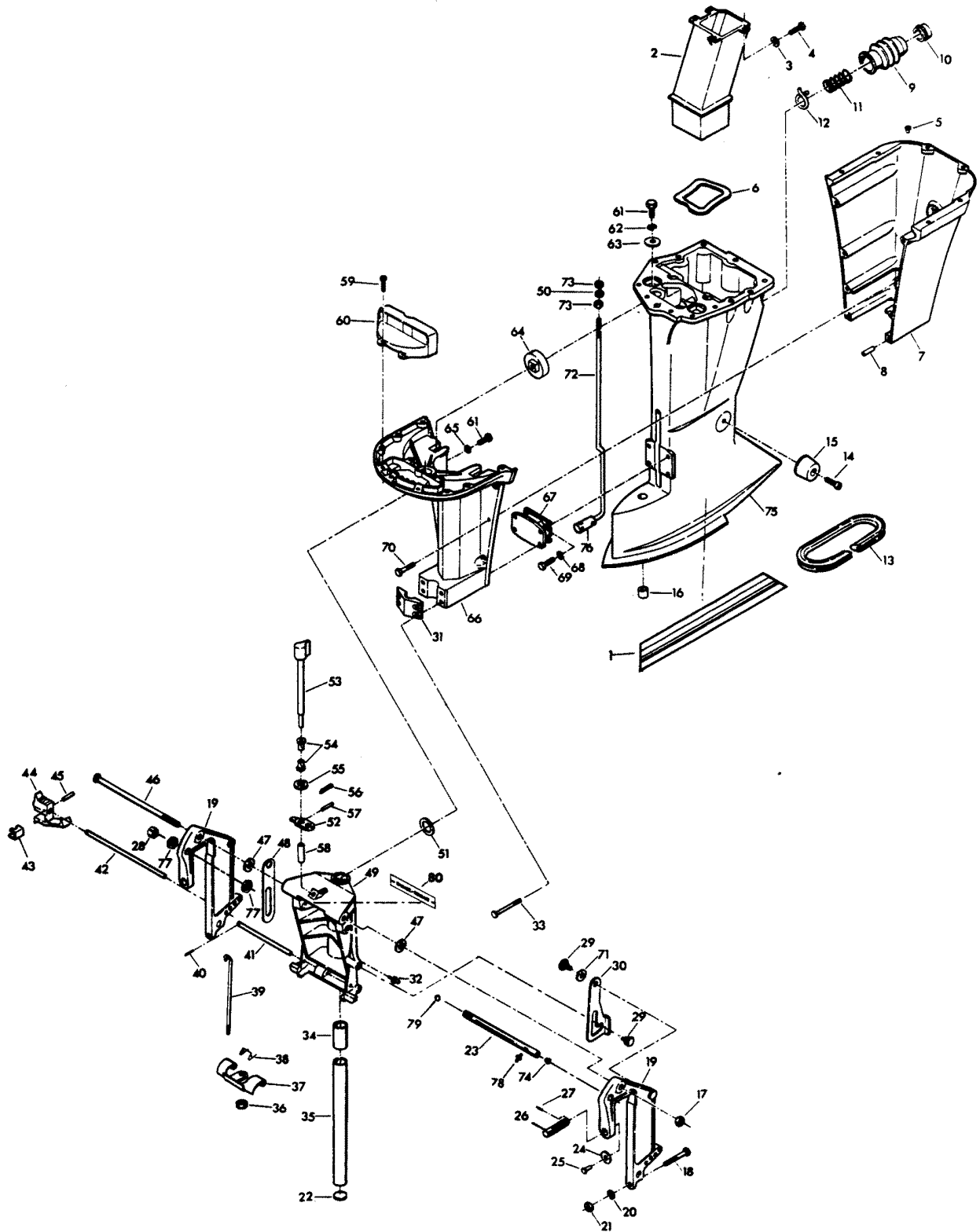


MOTOR LEG

REF. NO.	PART NO.	SYM.	QTY.	DESCRIPTION
1	A578392		1	DECAL, LEG - PORT
-	A578391		1	DECAL, LEG - STARBOARD
2	F85660-1		1	EXHAUST TUBE
3	F8083		4	SPRING LOCKWASHER
4	F1864		4	HEX SLOT HD SCREW, 1/4 - 20 X 3/4
5	F1729		2	PLUG
6	F439736		1	SEAL EXHAUST TUBE
7	817931A7		1	MOTOR LEG COVER REAR
8	F1664		2	SPRING PIN
9	F85130		1	BOOT, IDLE EXHAUST
10	F85258		1	INSERT
11	F85380		1	SPRING
12	F85772		1	CLAMP
13	F178323		1	SEAL, MOTOR LEG
14	F1263		2	HEX SOCKET HD CAP SCREW, 5/16 - 18 X 9/16
15	F438962		2	SHOCK MOUNT SIDE
16	F338618-1		1	SEAL, GEAR SHIFT ROD
17	F7012		1	LOCK NUT, 1/2 - 20
18	F1593		2	HEX HD SCREW, 3/8 - 16 X 3
19	1400-817958A6		2	STERN BRACKET
20	F1004		2	PLAIN WASHER
21	F1346		2	HEX NUT, 3/8 - 16
22	F1528		1	WELCH PLUG
23	F511125-2		1	TUBE, STEERING SUPPORT
24	F84074		2	CLAMP SCREW FOOT
25	F353480		2	STUD
26	F474073-1		2	CLAMP SCREW
27	F8538		2	SPRING PIN
28	F9018		1	CAP
29	F85350-1		4	TILT STOP PIVOT
30	F85541-1		1	TILT LOCK
31	F85606		1	KINGPIN CAP
32	F213274		3	GREASE FITTING
33	F1969		4	HEX BOLT, 5/16 - 18 X 1 3/4
34	F438169		2	BEARING
35	FA85019		1	KINGPIN W/PLUG
36	F1669		1	LOCK NUT
37	F369349		1	REVERSE LOCK
38	F85300		1	REVERSE LOCK SPRING
39	F369510		1	LINK
40	F1744		1	SPRING PIN
41	F177350		1	REVERSE LOCK PIN
42	FA438113		1	STERN BRACKET LOCK BAR W/HANDLE

CONTINUED ON NEXT PAGE ➡

MOTOR LEG

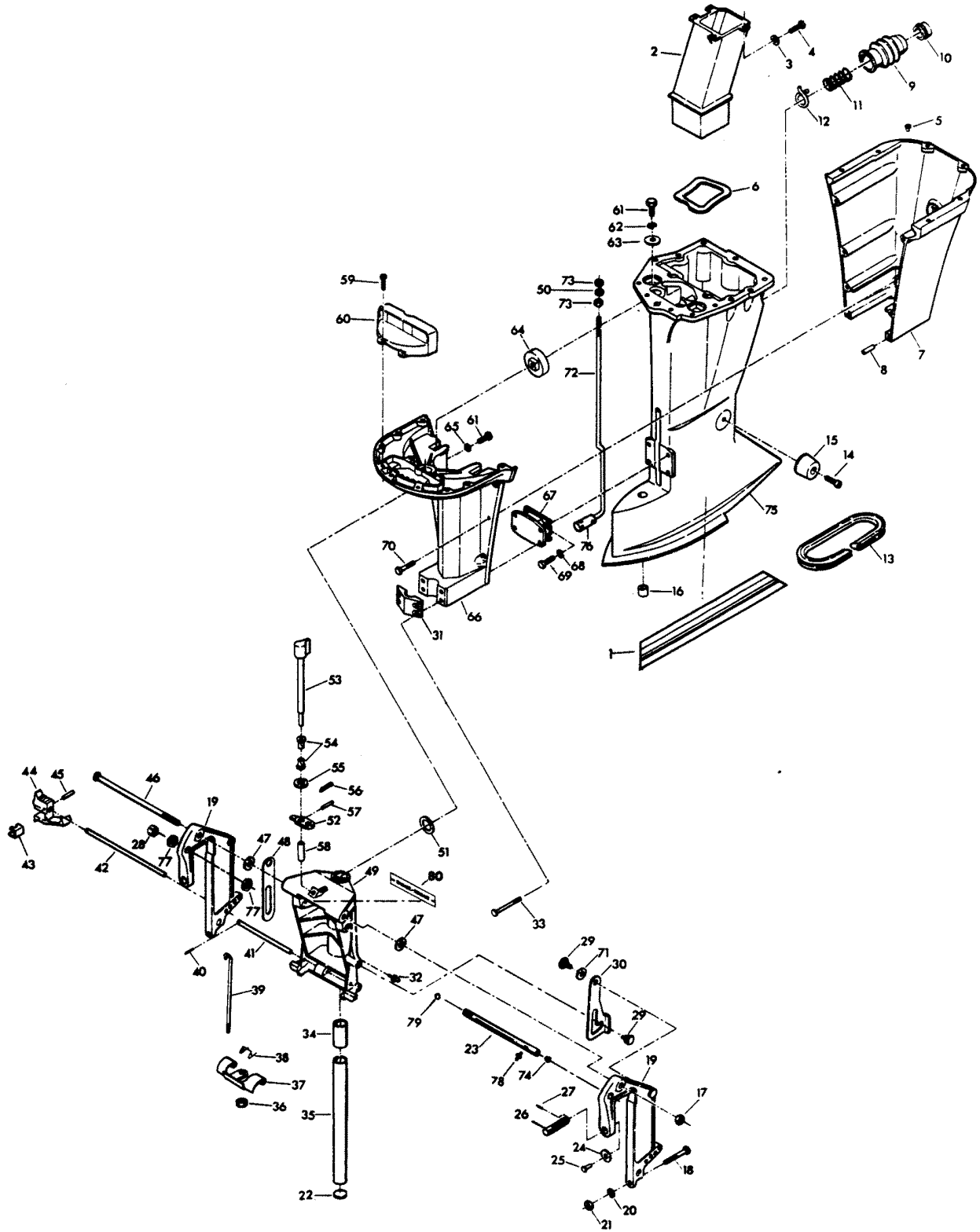


MOTOR LEG

REF. NO.	PART NO.	SYM.	QTY.	DESCRIPTION
43	F286461		1	SPRING, LOCK BAR HANDLE
44	F433114		1	HANDLE, LOCK BAR
45	F1744		1	SPRING PIN
46	F85037-1		1	STERN BRACKET PIVOT BOLT
47	F84286-1		4	FRICTION WASHER
48	F85426		1	TILT STOP
49	817783A5		1	SWIVEL BRACKET W/BEARING AND GREASE FITTINGS
50	F1987		1	PLAIN WASHER
51	F84011		1	WASHER
52	F369364		1	REVERSE LOCK ARM
53	F369827		1	HANDLE AND SHAFT
54	F197813		2	BEARING
55	F8094		1	PLAIN WASHER
56	F1014		1	COTTER PIN
57	F1836		1	SPRING PIN
58	F483884		1	BEARING
59	F1912		4	HEX HD SCREW 10 - 24 X 1/2
60	F85779-1		1	BAFFLE, AIR INTAKE
61	F1871		4	HEX HD SCREW, 3/8 - 16 X 3/4
62	F8039		2	PLAIN WASHER
63	FA85355-1		2	WASHER SHOCK MOUNT UPPER
64	F85965		2	SHOCK MOUNT, UPPER
65	F1703		2	SPRING LOCKWASHER
66	A85135		1	LEG COVER, FRONT
67	F438346		1	SHOCK MOUNT, LOWER
68	F8096		4	SPRING LOCKWASHER
69	F1822		4	HEX BOLT, 5/16 - 18 X 7/8
70	F2030		6	HEX HD SCREW, 1/4 - 20 X 1 1/4
71	F1666		2	BOWED SPRING WASHER
72	F85615		1	GEAR SHIFT ROD UPPER
73	F2108		2	LOCK NUT, 5/16 - 18
74	F9052		1	PLUG
75	F523133-2		1	MOTOR LEG
76	F85704		1	COUPLER, GEARSHIFT ROD UPPER
77	F523280		2	NUT, STEERING SUPPORT TUBE
78	F523274		1	GREASE FITTING
79	F316599		1	SEAL, STEERING SUPPORT TUBE
80	F474390-1		1	DECAL, REVERSE LOCK - USA
-	37-819450		1	DECAL, REVERSE LOCK - CANADA
81	F2093		2	STOP NUT, 3/8 - 24
82	F8039		2	PLAIN WASHER
83	F523881-1		1	STEERING LINK
84	F523930		1	RETAINER

CONTINUED ON NEXT PAGE ➡

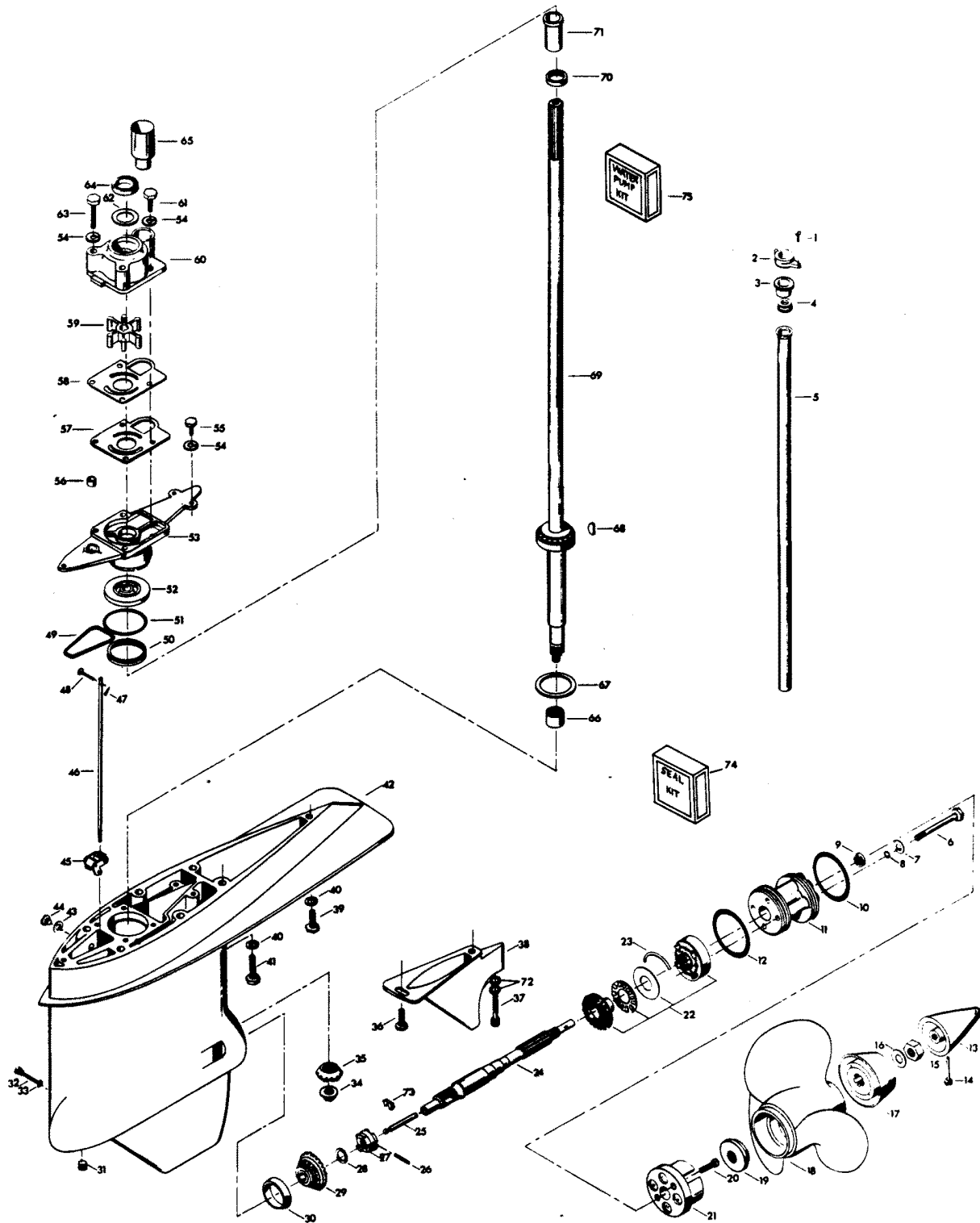
MOTOR LEG



MOTOR LEG

REF. NO.	PART NO.	SYM.	QTY.	DESCRIPTION
85	F523273		0	STEERING BALL STUD
86	F1280		1	PAN HD SCREW, 8 - 32 X 1/4
87	F8080		1	SPRING LOCKWASHER
88	F8038		2	PLAIN WASHER
89	F523300-1		1	SPRING
90	FOB2603		1	INSTALLATION INSTRUCTIONS (FOR 5H094 STEERING LINK KIT)

GEAR HOUSING

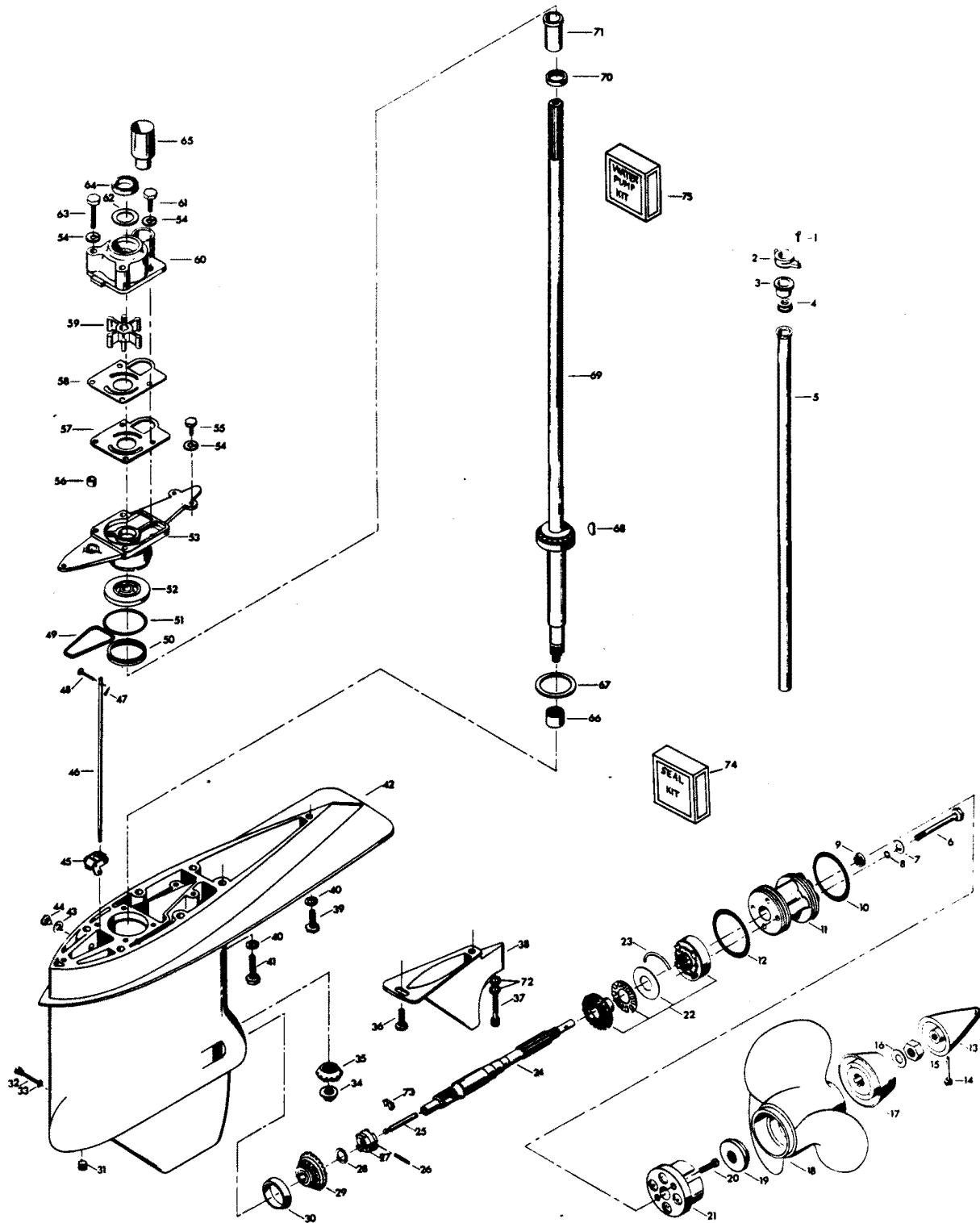


GEAR HOUSING

REF. NO.	PART NO.	SYM.	QTY.	DESCRIPTION
1	F1705		2	HEX CAP SCREW, 1/4 - 20 X 3/4
2	F85117		1	BRACKET, WATER LINE
3	F84342		1	SEAL, INLET WATER LINE UPPER
4	F523899		1	GROMMET, WATER LINE
5	F523244		1	INLET WATER LINE
6	F1885		4	HEX CAP SCREW, 5/16 - 18 X 4 1/4
7	F1907		4	PLAIN WASHER
8	F50342-1		4	SEAL, BEARING CAGE BOLTS
9	F506118		1	SEAL, PROPELLER SHAFT
10	F24278		1	SEAL, "O" RING PROPELLER SHAFT SPOOL
11	F2A523239		1	SPOOL, PROPELLER SHAFT BEARING W/SEALS
12	F84305		1	SEAL, PROPELLER SHAFT BEARING SPOOL
13	F523094-2		1	PROPELLER NUT
14	F498891		1	PIN, PROPELLER NUT RETAINING
15	F1788		1	STOP NUT
16	F1866		1	PLAIN WASHER
17	F523299-1		1	WASHER, PROPELLER SPLINE
18	FPS524		1	PROPELLER (ACCESSORY ITEM)
19	F523099-1		1	SPACER, PROPELLER
20	F1577		2	FILL HD SCREW, 1/4 - 20 X 3/4
21	FA523485		1	ANTI-CORROSION ANODE
22	F2A498662		1	BEVEL GEAR REAR W/BEARING CAGE, SPACER AND BEARING
23	F523411		2	RETAINING RING
24	FA523098		1	PROPELLER SHAFT
25	F84871-1		1	PIN, GEAR SHIFT
26	F1713		1	SPRING PIN
27	F84521-1		1	CLUTCH
28	F1936		A/R	SPACER, BEVEL GEAR FRONT .059
-	F1937		A/R	SPACER, BEVEL GEAR FRONT .062
-	F1938		A/R	SPACER, BEVEL GEAR FRONT .065
-	F1939		A/R	SPACER, BEVEL GEAR FRONT .068
-	F1940		A/R	SPACER, BEVEL GEAR FRONT .071
-	F1941		A/R	SPACER, BEVEL GEAR FRONT .074
-	F1942		A/R	SPACER, BEVEL GEAR FRONT .077
-	F2113		A/R	SPACER, BEVEL GEAR FRONT .080
-	F2114		A/R	SPACER, BEVEL GEAR FRONT .083
-	F2115		A/R	SPACER, BEVEL GEAR FRONT .086
-	F2116		A/R	SPACER, BEVEL GEAR FRONT .089
-	F2121		A/R	SPACER, BEVEL GEAR FRONT .057
-	F2122		A/R	SPACER, BEVEL GEAR FRONT .054
29	F2A498023		1	BEVEL GEAR FRONT W/BEARING
30	F523813		1	BEARING CUP

CONTINUED ON NEXT PAGE ➡

GEAR HOUSING

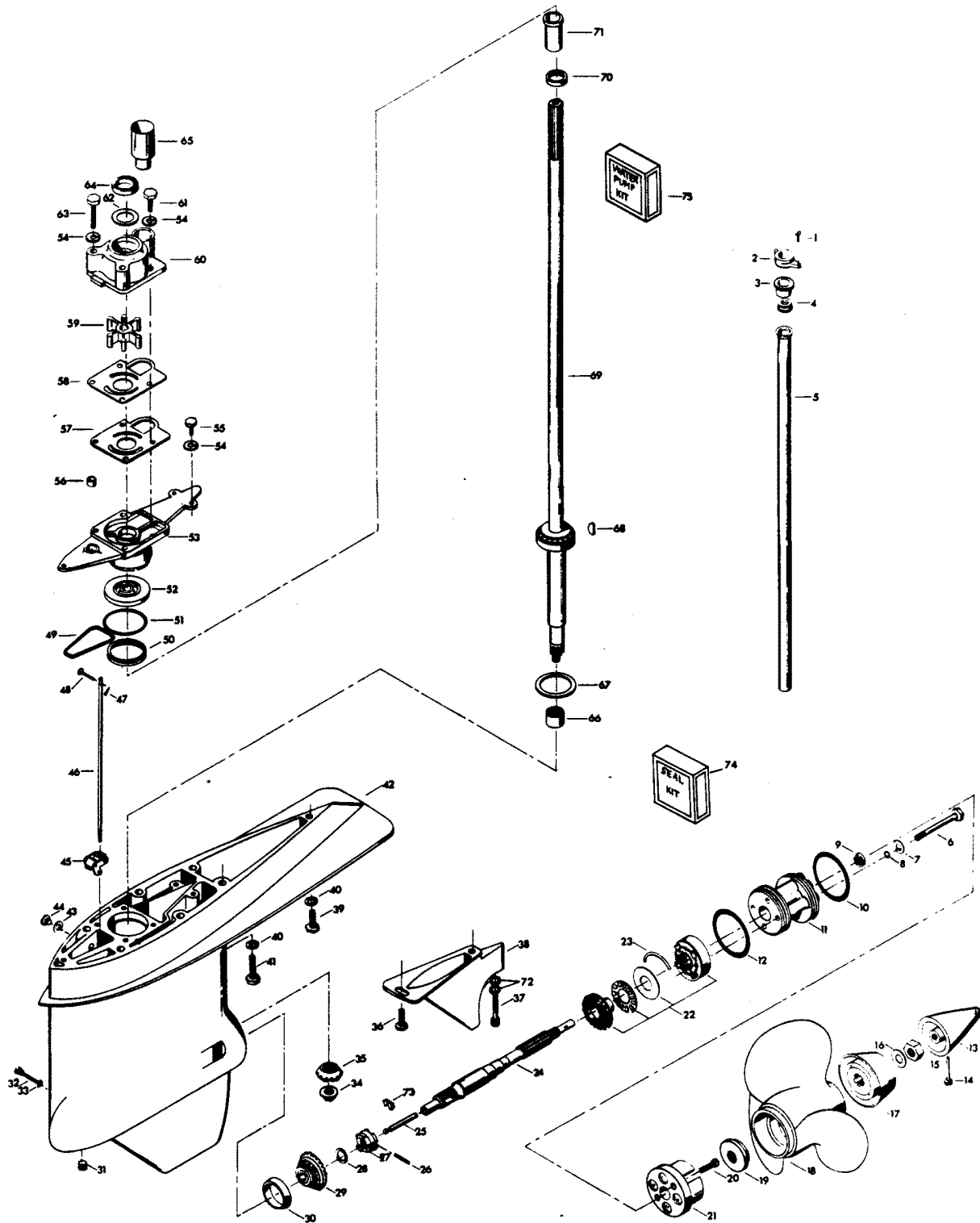


GEAR HOUSING

REF. NO.	PART NO.	SYM.	QTY.	DESCRIPTION
31	F19109		1	PLUG, GEAR HOUSING
32	F498891		1	PIN, GEAR SHIFT ARM
33	F498618		1	"O" RING
34	F523188		1	NUT, BEVEL PINION RETAINING
35	FA498266		1	BEVEL PINION GEAR W/CRUSH RING AND SHIMS
36	F438930		1	RETAINER, SNOUT
37	F1994		1	HEX SOCKET HD CAP SCREW, 5/16 - 18 X 1
38	F523116		1	EXHAUST SNOUT
39	F1858		1	HEX CAP SCREW, 5/16 - 18 X 1
40	F8096		7	SPRING LOCKWASHER
41	F1491		6	HEX CAP SCREW, 5/16 - 18 X 3 1/4
42	FA523054		1	GEAR HOUSING W/BEARING CUP DRIVESHAFT BEARING, LOWER, PLUGS & WASHERS
-	FC550054		1	GEAR HOUSING COMPLETE (NOT SHOWN). INCLUDES ALL ITEMS MARKED WITH ASTERISK (*).
43	F8077		2	WASHER, GEAR HOUSING PLUG
44	F50109		2	PLUG, GEAR HOUSING
45	FA84621-1		1	COUPLING, GEAR SHIFT ARM W/BUSHING
46	F523705		1	GEAR SHIFT ROD LOWER
47	F1015		1	COTTER PIN
48	F85372		1	PIN, GEAR SHIFT ROD LOWER
49	F523555		1	SEAL, "O" RING - GEAR HOUSING COVER
50	F523961		1	CRUSH RING
51	F74305		1	SEAL, DRIVESHAFT BEARING CAGE
52	F84307-1		1	SEAL, DRIVESHAFT
53	FA550706		1	GEAR HOUSING COVER W/SEALS
54	F8083		7	SPRING LOCKWASHER
55	F1534		3	HEX CAP SCREW, 1/4 - 20 X 7/8
56	F338618-1		1	SEAL, GEAR SHIFT ROD
57	F523031		1	GASKET, WATER PUMP
58	F523562		1	WATER PUMP BACK PLATE
59	F523065		1	WATER PUMP IMPELLER
60	46-817853A1		1	WATER PUMP BODY W/DRIVESHAFT SEAL, DISC AND WATER LINE SEAL
61	F1990		2	HEX CAP SCREW, 1/4 - 20 X 1 5/8
62	F480388		1	DISC, WATER PUMP LOCATING
63	F1425		2	HEX CAP SCREW, 1/4 - 20 X 2 5/8
64	F351307		1	SEAL, WATER PUMP
65	FA523735		1	SEAL, INLET WATER LINE LOWER
66	F523057		1	BEARING, DRIVESHAFT LOWER
67	F9106		A/R	SHIM, DRIVESHAFT BEARING UPPER .003 BRASS
-	F9095		A/R	SHIM, DRIVESHAFT BEARING UPPER .005 SILVER
-	F9097		A/R	SHIM, DRIVESHAFT BEARING UPPER .010 BLACK
68	F523498		1	DRIVE KEY, WATER PUMP

CONTINUED ON NEXT PAGE ➡

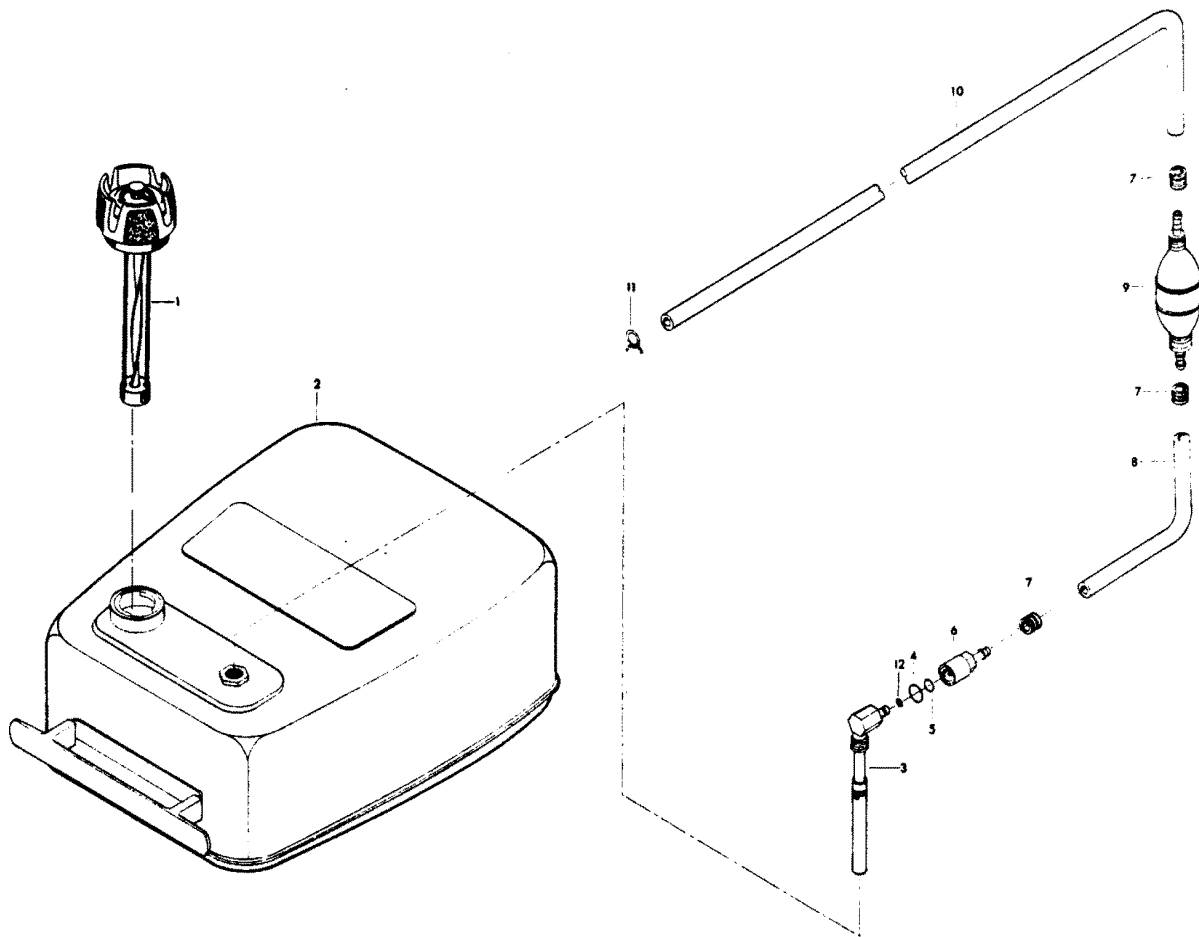
GEAR HOUSING



GEAR HOUSING

REF. NO.	PART NO.	SYM.	QTY.	DESCRIPTION
69	FK550128		1	DRIVESHAFT W/BEARING, SHIMS AND CRUSH RING
70	F438271		1	RETAINER, CRANKSHAFT SPLINE SEAL
71	F438129		1	SEAL, DRIVESHAFT SPLINE
72	F1836		2	PLAIN WASHER
73	F90619-1		1	YOKE
74	FK1063		1	SEAL KIT
-	F50342-1		4	BEARING CAGE BOLT SEAL
-	F506118		1	PROPELLER SHAFT SEAL
-	F24278		1	PROPELLER SHAFT SPOOL SEAL
-	F84305		1	PROPELLER SHAFT SPOOL SEAL
-	F498618		1	GEAR SHIFT ARM PIN SEAL
-	F8088		2	WASHER
-	F523555		1	GEAR HOUSING COVER SEAL
-	F74305		1	GEAR HOUSING COVER SEAL
-	F84307-1		1	DRIVE SHAFT SEAL
-	F338618-1		1	GEAR SHIFT ROD SEAL
75	FK1069		1	WATER PUMP KIT
-	F1425		2	HEX CAP SCREW, 1/4 - 20 X 5/8
-	F1990		2	HEX CAP SCREW
-	F8083		4	SPRING LOCKWASHER
-	F523031		1	GASKET, WATER PUMP
-	F523065-1		1	IMPELLER
-	F523498		1	KEY
-	F523562		1	PLATE, WATER PUMP
-	46-817853A1		1	WATER PUMP

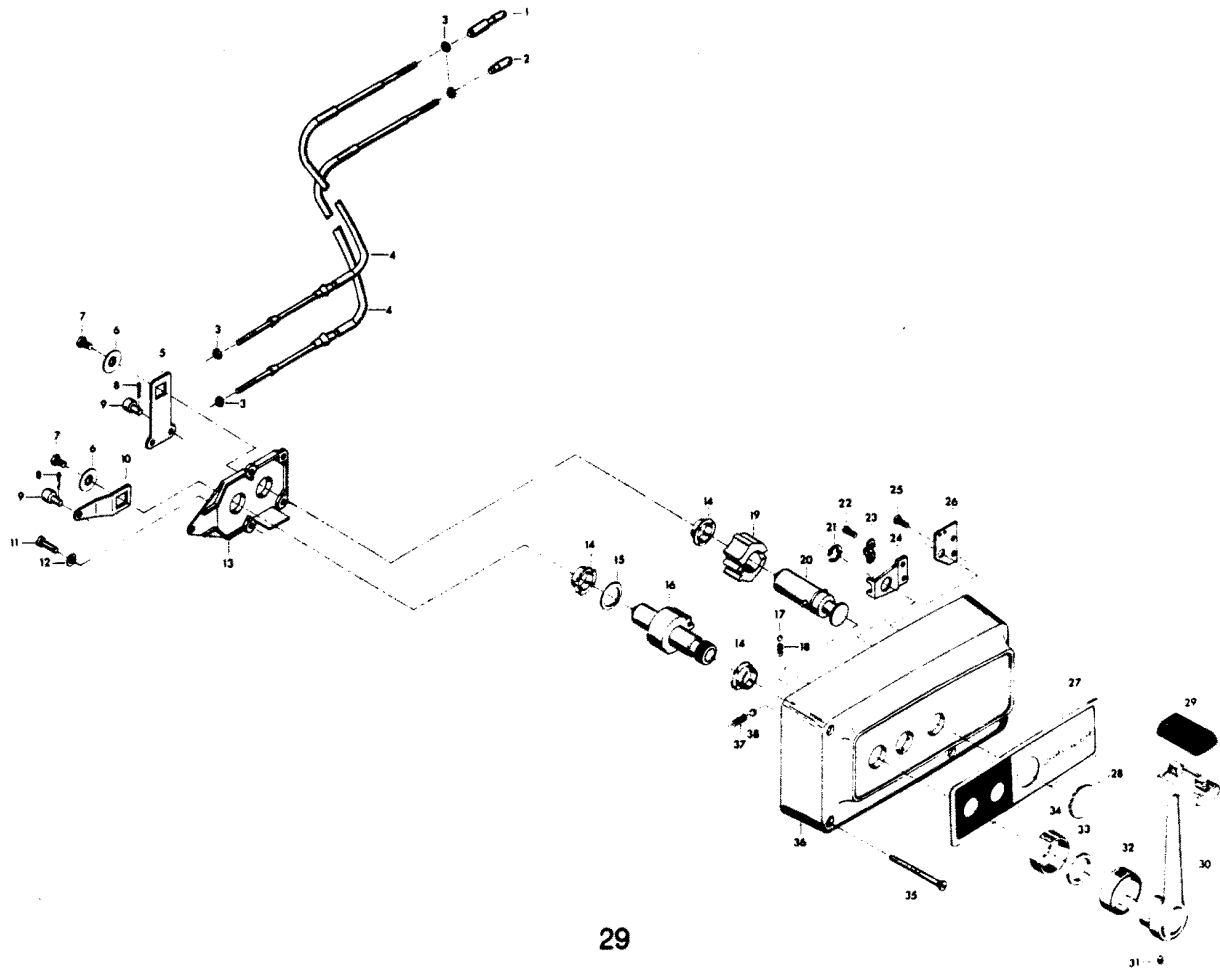
FUEL TANK AND LINE



FUEL TANK AND LINE

REF. NO.	PART NO.	SYM.	QTY.	DESCRIPTION
1	F409251-1		1	GAUGE CAP
2	F5H026		1	FUEL TANK (ACCESSORY ITEM)
3	F485755-1		1	FUEL TANK ADAPTER
4	F213342		1	SEAL, FUEL LINE COUPLER (LARGE)
5	F213735		1	SEAL, FUEL LINE COUPLER (SMALL)
6	F197787-3		1	FUEL LINE COUPLER
7	F298788		3	FERRULE
8	FA84754-1		1	FUEL LINE SHORT W/FERRULES
9	89396A38		1	PRIME BULB
10	32-817738A1		1	FUEL LINE LONG W/CLAMP AND FERRULE
11	F97772		1	FUEL LINE CLAMP
12	F17932		1	SEAL, FUEL LINE COUPLER
-	FS409752		1	FUEL LINE COMPLETE
-	FC409398		1	DECAL, TOTE TANK - CANADA (NOT SHOWN)

REMOTE CONTROL

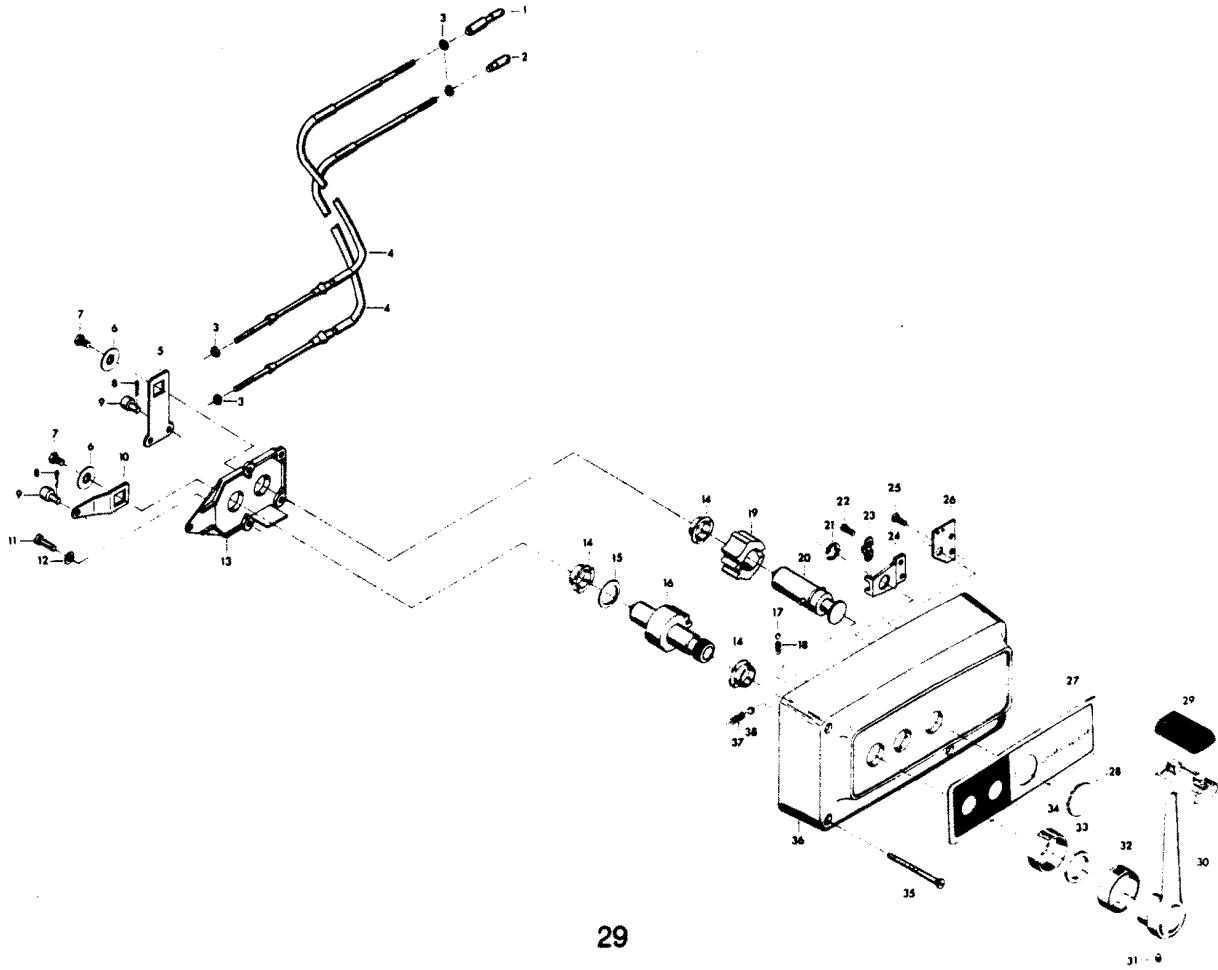


REMOTE CONTROL

REF. NO.	PART NO.	SYM.	QTY.	DESCRIPTION
1	FA58976-1		1	CONNECTOR, THROTTLE CABLE
2	F58685-2		1	CONNECTOR, SHIFT CABLE
3	F1513		4	HEX NUT
4	ÄF58356//		2	REMOTE CONTROL CABLE (SPECIFY LENGTH)
5	F17019		1	CLUTCH ARM
6	F17036		2	INTERNAL TOOTH LOCKWASHER
7	F1715		2	HEX BOLT, 1/4 - 28 X 9/16
8	F17149		2	COTTER PIN
9	F17016		2	CABLE TERMINAL
10	F17014		1	THROTTLE ARM
11	F17013		2	FILL HD SCREW, 1/4 - 20 X 1/2
12	F17147		2	INTERNAL TOOTH LOCKWASHER
13	F17012		1	RETAINING PLATE
14	F17009		3	BEARING
15	F17011		1	BOWED WASHER
16	F17010-1		1	THROTTLE GEAR
17	F17111		1	DETENT BALL
18	F17006		1	DETENT SPRING
19	F17021		1	CLUTCH GEAR
20	F17100		1	CLUTCH SHAFT
21	F17092		1	SNAP RING
22	F17071		2	FILL HD SCREW, 10 - 24 X 5/16
23	F154317		1	CABLE CLAMP
24	F17026		1	SWIVEL
25	F1557		2	FLAT HD SCREW, 10 - 24 X 3/8
26	F17112		1	JUNCTION BOARD, STARBOARD
-	F17113		1	JUNCTION BOARD, PORT
27	F17148		1	DECAL, STARBOARD
-	F531892		1	DECAL, PORT
28	F17031-1		1	SNAP CAP
29	F17116		1	KNOB
30	F17115-1		1	HANDLE
31	F17030-1		1	SET SCREW
32	FK17114-1		1	INDICATOR
33	F17105		1	FELT WASHER
34	F17106		1	COLLAR
35	F17146		3	WOOD SCREW
36	F17099-1		1	HOUSING

CONTINUED ON NEXT PAGE ➡

REMOTE CONTROL



REMOTE CONTROL

REF. NO.	PART NO.	SYM.	QTY.	DESCRIPTION
37	F17068		1	DETENT SPRING
38	F17082-1		1	DETENT BALL
-	F1280		2	PAN HD SCREW, 8 - 32 X 1/4 (TERMINAL BOARD) (NOT SHOWN)
-	OB3061		2	LITERATURE (NOT SHOWN) REMOTE CONTROL
-	F17103-1		2	BAG ASSEMBLY (NOT SHOWN). INCLUDES ALL ITEMS MARKED WITH AN ASTERISK (*).

SPECIAL TOOLS - TUNE-UP

REF. NO.	PART NO.	SYM.	QTY.	DESCRIPTION
-	FT8948-1		0	PULLER TO REMOVE FLYWHEEL.
-	FTA2937-1		0	TIMING TOOL TO ADJUST TIMING POINTER.
-	FT8978		0	TIMING LIGHT FOR SETTING IGNITION TIMING

SPECIAL TOOLS - POWER HEAD

REF. NO.	PART NO.	SYM.	QTY.	DESCRIPTION
-	FT8914		0	SEAL REMOVER TO REMOVE UPPER CRANKSHAFT BEARING CAGE SEAL.
-	FT8903		0	SEAL INSTALLER TO INSTALL UPPER CRANKSHAFT BEARING CAGE SEAL.
-	FT8927		0	SEAL PROTECTOR TO INSTALL UPPER CRANKSHAFT BEARING CAGE.
-	FT8925		0	SEAL INSTALLER TO INSTALL LOWER CRANKSHAFT SEAL.
-	FT8907		0	DRIVE HANDLE USED WITH T8903.
-	FT2990		0	PISTON PIN TOOL TO REMOVE AND INSTALL PISTON PINS.
-	FT2996		0	RING COMPRESSOR TO INSTALL PISTONS IN CYLINDER.
-	FT8926		0	RING EXPANDER TO INSTALL PISTON RINGS.
-	FT1082		0	SNAP RING PLIER TO REMOVE AND INSTALL DISTRIBUTOR RETAINING RING.
-	FT8933		0	LIFTING HOOK TO LIFT ENGINE.

SPECIAL TOOLS - GEAR HOUSING

REF. NO.	PART NO.	SYM.	QTY.	DESCRIPTION
-	FT8948-1		0	PULLER TO REMOVE SPOOL FROM GEAR HOUSING.
-	FT8918		0	BEARING GUIDE SET TO REMOVE AND INSTALL BEARING CUP IN GEAR HOUSING.
-	FT11209		0	BEARING GUIDE SET USE WITH T8918.
-	FT11204		0	BEARING CUP INSTALLER TO INSTALL FORWARD BEARING CUP IN GEAR HOUSING.
-	FT8957		0	SEAL INSTALLER TO INSTALL SHIFT ROD SEAL.
-	FT3012		0	SEAL INSTALLER TO INSTALL WATER PUMP SEAL.
-	FT8997		0	SHIMMING TOOL SET TO OBTAIN PROPER GEAR CLEARANCE AND PROP SHAFT END FLOAT.
-	FT8985		0	SEAL INSTALLER TO INSTALL PROPELLER SHAFT SEAL IN PROPELLER SHAFT. BEARING SPOOL.
-	FT11205		0	BEARING INSTALLER/REMOVER TO INSTALL AND REMOVE LOWER DRIVE SHAFT BEARING IN GEAR HOUSING.
-	FT8925		0	SEAL INSTALLER TO INSTALL DRIVESHAFT SEAL IN GEAR HOUSING.
-	FT8907		0	DRIVER HANDLE TO INSTALL BEARING CUPS AND SEALS.
-	FT8901		0	INDICATOR HOLDER USED IN CONJUNCTION WITH T 8997.
-	FT8902		0	DIAL INDICATOR USED IN CONJUNCTION WITH T 8997.
-	FT8919		0	SPRING PIN PUNCH TO REMOVE CLUTCH SPRING PIN.
-	FT7848		0	TORQUING ADAPTER HOLDS DRIVESHAFT WHILE INSTALLING OR REMOVING PINION NUT.

SPECIAL TOOLS - TEST EQUIPMENT

REF. NO.	PART NO.	SYM.	QTY.	DESCRIPTION
-	FTK8999		0	TEST WHEEL TO TEST MOTOR IN TEST TANK. ORIGINAL FORCE P/N T A8999
-	FT8950		0	LEAKAGE TESTER TO TEST LOWER UNIT SEALS FOR LEAKAGE.
-	FT8953		0	IGNITION TESTER TO TEST OUTPUT OF C-D UNIT.
-	FT8978		0	TIMING LIGHT FOR SETTING IGNITION TIMING.

SPECIAL TOOLS - LUBRICANTS AND SEALANTS

REF. NO.	PART NO.	SYM.	QTY.	DESCRIPTION
-	FT2961		0	LUBRICANT - RYKON #2EP
-	FT2987-1		0	LUBRICANT - ANTI-SEIZE
-	FT8969		0	LUBRICANT - 7 OZ. 2 PSI LUBRICANT
-	FT8955		0	SEALANT - 5 OZ. EC-750 INDUSTRIAL SEALANT
-	FT8993		0	SEALANT - 3 OZ. RTV SEALANT FROM IN PLACE GASKETS
-	FT8936		0	SEALANT - 2 CC LOCTITE RETAINING COMPOUND #75
-	FT2962-1		0	SEALANT - 50 CC LOCTITE H, NON-HARDENING GRADE
-	FT2963-1		0	SEALANT - 2 OZ. LOCTITE D, HARDENING GRADE
-	FT8935		0	SEALANT PRIMER - 6 OZ.

SPECIAL TOOLS - DECAL REPAIR SHEETS

REF. NO.	PART NO.	SYM.	QTY.	DESCRIPTION
-	T11232		0	METALLIC SILVER REPAIR DECALS ON ENGINE COVERS
-	T11233		0	MEDIUM METALLIC SILVER REPAIR DECALS ON ENGINE COVERS
-	T11212		0	BOAT BLACK REPAIR DECALS ON ENGINE COVERS
-	T11211		0	BOAT WHITE REPAIR DECALS ON ENGINE COVERS
-	T11230		0	ORANGE REPAIR DECALS ON ENGINE COVERS

ACCESSORIES

REF. NO.	PART NO.	SYM.	QTY.	DESCRIPTION
-	F5H014		0	FLUSHING ADAPTER PERMITS FRESH WATER FLUSHING OF WATER PASSAGES WITH STANDARD GARDEN HOSE.
-	F5H130		0	REMOTE CONTROL BOX (SINGLE LEVER) (SURFACE MOUNT) PERMITS REMOTE CONTROL OF THROTTLE AND GEAR SHIFT FROM STARBOARD SIDE BOAT.
-	F5H131		0	PORT SIDE DECAL KIT CONVERTS 5H130 CONTROL BOX TO PORT SIDE MOUNTING.
-	F590		0	REMOTE CONTROL HEAD (SINGLE LEVER) FLUSH MOUNT FLUSH MOUNT CONTROL UNIT PERMITS REMOTE CONTROL OF THROTTLE AND GEAR SHIFT. MAY BE MOUNTED ON PORT OR STARBOARD SIDE OF BOAT.
-	865		0	DUAL SINGLE LEVER CONTROL (SURFACE MOUNT) PERMITS REMOTE CONTROL OF THROTTLE AND GEAR SHIFT ON TWIN ENGINE INSTALLATIONS. MAY BE MOUNTED ON PORT OR STARBOARD SIDE OF BOAT.
-	F195/___		0	REMOTE CONTROL CABLES CONNECTS REMOTE CONTROL BOX TO THROTTLE AND GEAR SHIFT ON ENGINE. AVAILABLE IN 6 THROUGH 40 FOOT LENGTHS.
-	F5H094		0	STEERING LINK KIT CONNECTS ENGINE TO REMOTE STEERING.
-	F5H018		0	DUAL ENGINE TIE BAR PERMITS DUAL ENGINE INSTALLATIONS.
-	F5H026		0	STEEL, 6 GALLON FUEL TANK (LOW PROFILE) AUXILIARY TANK.
-	F5H029		0	TANK ANCHOR SECURES 5H026 TO BOAT.
-	F5H040		0	STEEL, 12 GALLON FUEL TANK AUXILIARY TANK.
-	F5H019		0	ANTI-CORROSION KIT ELECTRICAL KIT FOR MOUNTING ON BOAT (12V) TO REDUCE CORROSION.
-	F5H025		0	ANTI-CORROSION SACRIFICIAL ANODE KIT USED TO REDUCE CORROSION.
-	F5H043		0	OVERHEAT BUZZER SOUNDS WARNING BUZZER IF ENGINE OVERHEATS.
-	F5H010		0	POWER TRIM INDICATOR INDICATES ENGINE TRIM ANGLE. (FLUSH MOUNT).
-	F5H134		0	BOAT WHITE LACQUER ENGINE TOUCH-UP PAINT IN 12 3/4 OZ. SPRAY BOMBS (6 CANS PER CASE).
-	F5H003		0	SPEEDMETER FLUSH MOUNT MONITORS BOAT SPEED (0-100 KM/H)
-	F5H030		0	SWITCH KIT - RUNNING LIGHTS DASH MOUNTED TOGGLE SWITCH.
-	F5H031		0	SWITCH KIT - SPOT LIGHT DASH MOUNTED TOGGLE SWITCH.
-	F5H032		0	SWITCH KIT - WIPER DASH MOUNTED TOGGLE SWITCH.
-	F5H034		0	SWITCH KIT - BILGE PUMP DASH MOUNTED TOGGLE SWITCH.
-	F5H035		0	SWITCH KIT - HORN DASH MOUNTED TOGGLE SWITCH (MOMENTARY).
-	F5H036		0	SWITCH KIT - TACHOMETER TRANSFER DASH MOUNTED TOGGLE SWITCH FOR ONE TACHOMETER ON DUAL ENGINE INSTALLATION.

CONTINUED ON NEXT PAGE ➡

ACCESSORIES

REF. NO.	PART NO.	SYM.	QTY.	DESCRIPTION
-	F5H038		0	SWITCH KIT - IGNITION SWITCH TO MOUNT IGNITION SWITCH ON DASH.
-	F5H039		0	SWITCH KIT - INSTRUMENT LIGHT DASH MOUNTED TOGGLE SWITCH.
-	479		0	UNIMOUNT UNDER DASH MOUNT FOR INDICATORS, LAMPS AND IGNITION SWITCHES.
-	F5H075		0	WIRING HARNESS - IGNITION SWITCH (24") USE WITH 563 TERMINAL BLOCK.
-	F5H068		0	RFI SUPPRESSION KIT PROVIDES RADIO NOISE SUPPRESSION.
-	F5H081		0	BATTERY CABLE LONGER LENGTH - 15 FEET.
-	71H06		0	AMMETER FLUSH MOUNT MONITORS OUTPUT OF ALTERNATOR.
-	F5H006		0	VOLTMETER - FLUSH MOUNT INDICATES BATTERY CONDITION.
-	71H25		0	CHARGE MONITOR LAMP INDICATES ALTERNATOR OUTPUT
-	5H047		0	CANVAS HOOD PROTECTION FOR ENGINE COVER.
-	5H051		0	BATTERY, 74 AMP 12 VOLT HEAVY DUTY BATTERY.
-	F5H021		0	EXTENSION CABLE FOR LENGTHENING BATTERY CABLE 6 1/2 FEET.
-	F5H041		0	BATTERY TERMINAL KIT ADAPTS MODEL 5H051 BATTERY TERMINALS FOR CONNECTIONS TO BATTERY CABLE ON ENGINE.
-	F5H037		0	CIGAR LIGHTER FOR USE AS CONVENIENCE OUTLET.
-	168		0	CONTROL PANEL FOR MOUNTING LAMPS, SWITCHES, ETC.
-	F5H008		0	FUEL GAUGE FLUSH MOUNT MONITORS FUEL SUPPLY.
-	F5H077		0	IGNITION KEY SWITCH SHORT BARREL WITH KEYS.
-	F5H078		0	IGNITION KEY SWITCH LONG BARREL WITH KEYS.
-	478		0	IGNITION LAMP INDICATES WHEN IGNITION SWITCH IS "ON".
-	F762		0	REMOTE ELECTRIC CABLE 25 FOOT CABLE FOR LARGER BOATS.
-	5H082		0	REMOTE ELECTRIC CABLE 25 FOOT CABLE FOR LARGER BOATS.
-	F5H119		0	PROPELLER SPACER - FLARED REDUCES PROPELLER VENTILLATION.
-	F5H070		0	REMOTE ELECTRIC CABLE 21 FOOT CABLE FOR LARGE BOATS.
-	F5H007		0	HOURMETER - FLUSH MOUNT RECORDS ENGINE RUNNING TIME.
-	F5H028		0	SENDING UNIT FOR USE WITH 5H008 FUEL GAUGE.
-	F5H005		0	TEMPERATURE GAUGE FLUSH MOUNT MONITORS ENGINE TEMPERATURE. DO NOT USE TEMPERATURE GAUGE AND HEAT LAMP IN SAME INSTALLATION.
-	479		0	OVERHEAT LAMP KIT WARNS OF ENGINE OVERHEATING.
-	F5H012		0	TACHOMETER FLUSH MOUNT MONITORS ENGINE R.P.M. TO PROVIDE CHECK OF ENGINE PERFORMANCE.
-	F5H004		0	SPEEDOMETER FLUSH MOUNT MONITORS BOAT SPEED (0 - 50 M.P.H.).

CONTINUED ON NEXT PAGE ➡

ACCESSORIES

REF. NO.	PART NO.	SYM.	QTY.	DESCRIPTION
-	F5H002		0	SPEEDOMETER FLUSH MOUNT MONITORS BOAT SPEED (0 - 65 M.P.H.).
-	5H111		0	INSTRUMENT ADAPTER - 2" PROVIDES SURFACE MOUNTING OF 2" INSTRUMENTS.
-	F5H112		0	INSTRUMENT ADAPTER - 3 1/2" PROVIDES SURFACE MOUNTING OF 3 1/2" INSTRUMENTS.
-	F5H120		0	REMOTE CONTROL BACK PLATE PROTECTS CONTROL MECHANISM FROM PADDED BOAT SURFACES.
-	F5H108		0	STEERING CONNECTOR CLEVIS TYPE FOR BOAT MOUNTED STEERING AND NONTHREADED CABLE END.
-	F5H076		0	SWITCH EXTENSION CABLE 5' ALLOWS INSTALLATION OF IGNITION SWITCH IN 5H130 CONTROL BOX WITH 563 TERMINAL BLOCK.
-	F563		0	TERMINAL BLOCK KIT DOUBLE ROW 10 SECTION TO SIMPLIFY ACCESSORY INSTALLATION.
-			0	CHRYSLER OUTBOARD OIL SEE BLOCK COMMENT 1.
-			0	CHRYSLER OUTBOARD GEAR LUBE SEE BLOCK COMMENT 2.
-			0	CHRYSLER OUTBOARD FUEL AID REMOVES MOISTURE, PREVENTS SLUDGE AND VARNISH AND STABILIZES GAS. AVAILABLE IN 16 OZ. CANS AND 12 CAN CASES.
-			0	CHRYSLER OUTBOARD STORAGE LUBRICANT WORKS AS A CORROSION INHIBITOR AND PROTECTS INTERNAL ENGINE PARTS DURING STORAGE. AVAILABLE IN 16 OZ. CANS AND 12 CAN CASES.
-			0	CHRYSLER OUTBOARD MULTI-PURPOSE SPRAY LUBE WORKS AS A LUBRICANT, CLEANER, MOISTURE REMOVER AND ELECTRIC INSULATOR. AVAILABLE IN 9 OZ. CANS AND 12 CAN CASES.
-			0	CHRYSLER OUTBOARD MULTI-PURPOSE GREASE LUBRICATES BEARINGS AND OTHER MOVING PARTS. AVAILABLE IN 8 OZ. TUBES AND 12 TUBE CASES.
-			0	CHRYSLER OUTBOARD GREASE GUN USED WITH CHRYSLER OUTBOARD MULTI-PURPOSE GREASE TUBES FOR PRESSURE FITTINGS.
-			0	CHRYSLER OUTBOARD MULTI-PURPOSE CLEANER

PARTS INDEX

Part Number	Description	Pg.	Ref. No.	Part Number	Description	Pg.	Ref. No.
ÄF58356//	REMOTE CONTROL CABLE (SPECIFY LENGTH)	45	4	F1199	HEX CAP SCREW, 1/4 - 20 X 1	23	44
15169	FRAME AND FIELD ASSEMBLY	11	9	F1263	HEX SOCKET HD CAP SCREW, 5/16 - 18 X 9/16	31	14
168	CONTROL PANEL	55	-	F1280	PAN HD SCREW, 8 - 32 X 1/4	7	33
3C581944	COVER, ENGINE COMPLETE	3	-	F1280	PAN HD SCREW, 8 - 32 X 1/4	35	86
478	IGNITION LAMP	55	-	F1280	PAN HD SCREW, 8 - 32 X 1/4 (TERMINAL BOARD) (NOT SHOWN)	47	-
479	OVERHEAT LAMP KIT	55	-	F1286	PAN HD SCREW, 4 - 40 X 3/16	23	31
479	UNIMOUNT	55	-	F1341	HEX NUT, 1/4 - 20	23	13
480373	DECAL, MAGNAPOWER IGNITION	9	56	F1346	HEX NUT, 3/8 - 16	31	21
481373	DECAL, "ELECTRONIC" (NOT SHOWN)	15	-	F1347	HEX NUT, 3/8 - 16	27	95
5H047	CANVAS HOOD	55	-	F14006-2	CAP BASE	13	37
5H051	BATTERY, 74 AMP	55	-	F14007	CAP SCREW	13	33
5H082	REMOTE ELECTRIC CABLE	55	-	F14011-1	CAP COVER	13	34
5H111	INSTRUMENT ADAPTER - 2"	56	-	F14012-1	BRUSH	13	39
71H06	AMMETER FLUSH MOUNT	55	-	F14015	CAP CLIP RIVET	13	21
71H25	CHARGE MONITOR LAMP	55	-	F14017	TERMINAL INSULATOR (OUTSIDE)	15	46
817747--1	BALL JOINT W/STUD	17	28	F14020-1	CAP SEAL	13	36
817747--1	BALL JOINT W/STUD	23	9	F14024	SPACER	15	42
817783A5	SWIVEL BRACKET W/BEARING AND GREASE FITTINGS	33	49	F14025	SPACER	13	4
817786A1	DISTRIBUTOR PULLEY	13	3	F14028	THRUST WASHER	13	5
817787A1	CYLINDER DRAIN COVER	23	33	F14029	THRUST WASHER	13	7
817788A3	SPACER PLATE W/PLUGS	25	63	F14030	CAP GASKET	13	38
817822A1	DISTRIBUTOR	15	-	F14036	SWIVEL	13	13
817892--1	PLATE, IGNITION SWITCH - CANADA (NOT SHOWN)	9	-	F14037	CAP CLIPS	13	14
817931A7	MOTOR LEG COVER REAR	31	7	F14038	CAP CLIP SCREWS	13	15
817959A3	INTAKE MANIFOLD	17	23	F14040	VENT	13	35
85872---1	BRACKET	25	49	F14041	EXTERNAL TOOTH LOCKWASHER	13	23
865	DUAL SINGLE LEVER CONTROL (SURFACE MOUNT)	54	-	F14042	DISTRIBUTOR HOUSING W/BEARINGS	13	12
89396A38	PRIME BULB	43	9	F14043	DISTRIBUTOR SHAFT	13	40
A578391	DECAL, LEG - STARBOARD	31	-	F14045	SCREW	13	16
A578392	DECAL, LEG - PORT	31	1	F14046	TERMINAL SCREW	13	19
A85135	LEG COVER, FRONT	33	66	F14047	TERMINAL INSULATOR (INSIDE)	13	20
F10000	GASKET SET(NOT SHOWN)	21	-	F14049	TERMINAL INSULATOR (OUTSIDE)	13	22
F1004	PLAIN WASHER	31	20	F14056	SCREW	15	47
F1009	HEX BOLT, 3/8 - 16 X 2 3/4	27	97	F1425	HEX CAP SCREW, 1/4 - 20 X 2 5/8	39	63
F10102	REPAIRS PART KIT.	21	104	F1425	HEX CAP SCREW, 1/4 - 20 X 5/8	41	-
F1014	COTTER PIN	21	84	F1447	SCREW, RD HD, 2 X 3/16	3	15
F1014	COTTER PIN	33	56	F1473	NUT, HEX, 10 - 24	3	32
F1015	COTTER PIN	39	47	F1475	FILL HD SCREW, 10 - 24 X 1/2	23	11
F1059	FILL HD SCREW, S.S., 6 - 32 X 1/4	19	80	F1491	HEX CAP SCREW, 5/16 - 18 X 3 1/4	39	41
F1064	FILL HD SCREW, S.S., 8 - 32 X 3/8	19	45	F1502	HEX CAP SCREW, 1/4 - 20 X 5/8	21	97
F1072	FILL HD SCREW, 1/4 - 20 X 1 3/4	19	59	F1502	HEX HD SCREW, 1/4 - 20 X 5/8	11	14
F1087	PLAIN WASHER	25	66	F15034	SPRING SET	11	17
F1099	FILL HD SCREW, 1/4 - 20 X 1 1/4	27	100	F1504	FILL HD SCREW, 1/4 - 20 X 1 1/4	19	56
F1108	FILL HD SCREW W/LOCKWASHER, 1/4 - 20 X 3/4	17	2				

PARTS INDEX

Part Number	Description	Pg.	Ref. No.	Part Number	Description	Pg.	Ref. No.
F1504	FILL HD SCREW, 1/4 - 20 X 1 1/4	23	12	F1641	LOCK NUT, 1/4 - 28	11	6
F15057	BRUSH PLATE AND HOLDER	11	18	F1645	RD HD SCREW, 6 - 32 X 1/4	7	27
F15080	SPRING	11	3	F1645	RD HD SCREW, 6 - 32 X 1/4	9	51
F15099	ARMATURE	11	8	F1645	RD HD SCREW, 6 - 32 X 1/4	21	100
F15100	BENDIX	11	20	F1647	HEX NUT, 10 - 32	25	86
F15110	CLUTCH ASSEMBLY	11	4	F1647	HEX NUT, 8 - 32	7	6
F15111	NUT, STOP RETAINING	11	1	F1647	HEX NUT, 8 - 32	13	24
F15112	STOP, PINION	11	2	F1648	PAN HD SCREW, 10 - 24 X 3/4	7	16
F15125	HEAD ASSEMBLY, COMMUTATOR END	11	16	F1664	SPRING PIN	31	8
F15126	THRUST WASHER PACKAGE	11	7	F1666	BOWED SPRING WASHER	33	71
F1513	HEX NUT	7	18	F1669	LOCK NUT	31	36
F1513	HEX NUT	45	3	F1678	FILL HD SCREW, 10 - 24 X 13/16	7	2
F1513	HEX NUT, 10 - 32	17	29	F1692	WOODRUFF KEY	13	41
F1513	HEX NUT, 10 - 32	23	7	F1693	TIE BAR RETAINER	19	46
F1515	HEX NUT	7	24	F17006	DETENT SPRING	45	18
F1515	HEX NUT, 5/16 - 18	17	37	F17009	BEARING	45	14
F15165	BRUSH TERMINAL SET	11	10	F17010-1	THROTTLE GEAR	45	16
F15167	HEAD ASSEMBLY DRIVE END	11	5	F17011	BOWED WASHER	45	15
F15168	THRU BOLT PACKAGE	11	12	F17012	RETAINING PLATE	45	13
F1528	WELCH PLUG	31	22	F17013	FILL HD SCREW, 1/4 - 20 X 1/2	45	11
F1532	HEX HD SCREW, 1/4 - 20 X 1	21	94	F17014	THROTTLE ARM	45	10
F1532	HEX HD SCREW, 1/4 - 20 X 1	23	35	F17016	CABLE TERMINAL	45	9
F1532	HEX HD SCREW, 1/4 - 20 X 3/4	23	43	F17019	CLUTCH ARM	45	5
F1533	HEX BOLT, 1/4 - 20 X 7/8	23	6	F17021	CLUTCH GEAR	45	19
F1534	HEX CAP SCREW, 1/4 - 20 X 7/8	23	42	F17026	SWIVEL	45	24
F1534	HEX CAP SCREW, 1/4 - 20 X 7/8	39	55	F1703	SPRING LOCKWASHER	25	62
F1535	CAPSCREW, HEX, 1/4 - 20 X 3/4	3	10	F1703	SPRING LOCKWASHER	33	65
F1535	HEX HD SCREW, 1/4 - 20 X 3/4	27	90	F17030-1	SET SCREW	45	31
F1536	HEX CAP SCREW, 1/4 - 20 X 3/4	7	23	F17031-1	SNAP CAP	45	28
F1540	HEX HD SCREW, 1/4 - 20 X 5/8	23	39	F17036	INTERNAL TOOTH LOCKWASHER	45	6
F1540	SCREW, HEX SLOT HD, 1/4 - 20 X 5/8	3	16	F1704	INTERNAL TOOTH LOCKWASHER	21	99
F1541	CAPSCREW, HEX, 1/4 - 20 X 5/8	3	21	F1705	HEX CAP SCREW, 1/4 - 20 X 3/4	37	1
F154317	CABLE CLAMP	45	23	F1705	HEX CAP SCREW, 1/4 - 20 X 3/4	37	1
F1545	HEX HD SCREW, 1/4 - 20 X 1/2	21	91	F17068	DETENT SPRING	47	37
F1546	HEX HD CAP SCREW, 1/4 - 20 X 1/2	9	42	F17071	FILL HD SCREW, 10 - 24 X 5/16	45	22
F1556	FILL HD SCREW W/LOCKWASHER, 10 - 24 X 3/8	23	14	F1708	CAPSCREW, HEX HD, 1/4 - 20 X 1 3/8	5	40
F1557	FLAT HD SCREW, 10 - 24 X 3/8	45	25	F1708	HEX HD SCREW, 1/4 - 20 X 1 3/8	25	77
F1577	FILL HD SCREW, 1/4 - 20 X 3/4	37	20	F17082-1	DETENT BALL	47	38
F1593	HEX HD SCREW, 3/8 - 16 X 3	31	18	F1709	HEX HD SCREW, 1/4 - 20 X 1 1/8	25	76
				F17092	SNAP RING	45	21
				F17099-1	HOUSING	45	36
				F17100	CLUTCH SHAFT	45	20
				F17103-1	BAG ASSEMBLY (NOT SHOWN)	47	-
				F17105	FELT WASHER	45	33
				F17106	COLLAR	45	34
				F17111		45	17
				F17112	JUNCTION BOARD, STARBOARD	45	26
				F17113	JUNCTION BOARD, PORT	45	-
				F17115-1	HANDLE	45	30

PARTS INDEX

Part Number	Description	Pg.	Ref. No.	Part Number	Description	Pg.	Ref. No.
F17116	KNOB	45	29	F1864	HEX SLOT HD SCREW, 1/4 - 20 X 3/4	31	4
F1713	SPRING PIN	37	26	F1866	PLAIN WASHER	37	16
F17146	WOOD SCREW	45	35	F1867	HEX CAP SCREW, 3/8 - 16 X 1	29	19
F17147	INTERNAL TOOTH LOCKWASHER	45	12	F1869	HEX BOLT, 3/8 - 16 X 1 1/4	25	61
F17148	DECAL, STARBOARD	45	27	F1871	HEX HD SCREW, 3/8 - 16 X 3/4	33	61
F17149	COTTER PIN	45	8	F1872	HEX BOLT, 3/8 - 16 X 1 3/4	27	99
F1715	HEX BOLT, 1/4 - 28 X 9/16	45	7	F1873	HEX BOLT, 3/8 - 16 X 3	27	96
F1727	PLASTIC RIVET	23	16	F1877	TY-RAP	7	29
F1729	PLUG	31	5	F1883	HEX BOLT, 5/16 - 18 X 2 3/8	25	67
F1730	SCREW, PAN HD W/LOCKWASHER, 1/4 - 20 X 1 3/8	3	37	F1885	HEX BOLT, 5/16 - 18 X 4 1/4	25	55
F1733	SCREW, PAN HEAD, 10 - 24 X 9/16	3	2	F1885	HEX CAP SCREW, 5/16 - 18 X 4 1/4	37	6
F1734	FILL HD SCREW W/LOCKWASHER, 1/4 - 20 X 1/2	7	14	F1892	STOP NUT	9	52
F1741	PAN HD SCREW, 8 X 3/4	7	35	F1907	PLAIN WASHER	37	7
F1744	SPRING PIN	31	40	F1910	STOP NUT, 1/4 - 20	17	31
F1744	SPRING PIN	33	45	F19109	PLUG	25	73
F1755	RD HD SCREW W/LOCKWASHER, 6 - 32 X 5/16	17	16	F19109	PLUG, GEAR HOUSING	39	31
F1759	SHIM, DISTRIBUTOR (QTY. AS REQUIRED)	13	11	F1912	HEX HD SCREW 10 - 24 X 1/2	33	59
F1760	PAN HD SCREW, 10 - 24 X 3/8	7	19	F1916	HEX HD SCREW, 1/4 - 20 X 1 1/8	17	25
F1760	PAN HD SCREW, 10 - 24 X 3/8	13	25	F1934	FLAT HD SLOTTED SCREW, 6 X 12	9	50
F1760	PAN HD SCREW, 10 - 24 X 3/8	19	60	F1936	SPACER, BEVEL GEAR FRONT .059	37	28
F1760	PAN HD SCREW, 10 - 24 X 3/8	23	2	F1937	SPACER, BEVEL GEAR FRONT .062	37	-
F177330	FUEL PUMP VALVE	17	9	F1938	SPACER, BEVEL GEAR FRONT .065	37	-
F177350	REVERSE LOCK PIN	31	41	F1939	SPACER, BEVEL GEAR FRONT .068	37	-
F1778	PLAIN WASHER	13	9	F1940	SPACER, BEVEL GEAR FRONT .071	37	-
F178323	SEAL, MOTOR LEG	31	13	F1941	SPACER, BEVEL GEAR FRONT .074	37	-
F1788	STOP NUT	37	15	F1942	SPACER, BEVEL GEAR FRONT .077	37	-
F17932	SEAL, FUEL LINE COUPLER	43	12	F195/_	REMOTE CONTROL CABLES	54	-
F18160-2	REED	23	28	F1950	HEX HD SCREW, 10 - 24 X 5/8	25	81
F1822	HEX BOLT, 5/16 - 18 X 7/8	33	69	F1968	FLYWHEEL NUT	29	22
F1832	STOP NUT, 1/4 - 20	25	59	F1969	HEX BOLT, 5/16 - 18 X 1 3/4	31	33
F1836	PLAIN WASHER	41	72	F1975	SPRING LOCKWASHER	7	10
F1836	SPRING PIN	33	57	F1975	SPRING LOCKWASHER	13	26
F184033-1	CHOKE ARM SWIVEL	21	85	F197787-3	FUEL LINE COUPLER	43	6
F184579	SEAL, CHOKE ARM SWIVEL	19	82	F197813	BEARING	33	54
F1851	FILL HD SCREW W/LOCKWASHER, 10 - 24 X 1/2	7	39	F1987	PLAIN WASHER	33	50
F1857	CAPSCREW, HEX, 5/16 - 18 X 5/8	3	19	F1990	HEX CAP SCREW	41	-
F1857	CAPSCREW, HEX, 5/16 - 18 X 5/8	3	31	F1990	HEX CAP SCREW, 1/4 - 20 X 1 5/8	39	61
F1858	CAPSCREW HEX, 5/16 - 18 X 1	3	20	F1994	HEX SOCKET HD CAP SCREW, 5/16 - 18 X 1	39	37
F1858	HEX CAP SCREW, 5/16 - 18 X 1	39	39	F1997	STOP NUT, 8 - 32	17	40
F1860	SLOTTED BINDING HD SCREW, 6 - 32 X 1/4	17	1	F2000	HEX CAP SCREW, 5/16 - 18 X 3/4	9	47
				F2008	HEX HD SCREW, 1/4 - 20 X 7/8	17	24

PARTS INDEX

Part Number	Description	Pg.	Ref. No.	Part Number	Description	Pg.	Ref. No.
F2015	HEX NUT, 1/4 - 28	23	19	F2A498023	BEVEL GEAR FRONT		
F2016	FILL HD SCREW, 6 - 32 X 7/8	21	101		W/BEARING	37	29
F2030	HEX HD SCREW, 1/4 - 20 X 1			F2A498662	BEVEL GEAR REAR		
	1/4	33	70		W/BEARING CAGE,		
F203276	BOOT	13	30		SPACER AND BEARING	37	22
F2033	GROOVE PIN	21	87	F2A523239	SPOOL, PROPELLER SHAFT		
F203673	TERMINAL CLIP	13	31		BEARING W/SEALS	37	11
F2042	PLAIN WASHER	23	5	F307317	CLIP, TERMINAL BLOCK	7	17
F2042	PLAIN WASHER	27	105	F316579	SEAL, CRANKCASE	29	11
F2047	WASHER, WAVE	3	26	F316599	SEAL, STEERING SUPPORT		
F2050	HEX HD SCREW, 1/4 - 20 X 1				TUBE	33	79
	1/2	17	26	F319908	WIRE, GROUND, CANADA	9	55
F2066	SCREW, PAN HD, SELF			F321756	PACKING	3	27
	TAPPING, 10 X 16	3	34	F321841-3	LEAD WIRE - USA	13	32
F2067	PLASTISOL CAP (NOT			F333316	THROTTLE ROLLER SHAFT	19	49
	SHOWN) FOR EXPOSED			F335215	SPACER, PISTON PIN (2		
	THREADS OF				PER PISTON)	29	3
	CRANKSHAFT	29	-	F335217-1	BEARING, PISTON PIN (26		
F2088	FASTENER	5	39		PER SET)	29	5
F2089	SLOTTED PAN HD MACHINE			F335654-1	STOP, DEFLECTION	3	17
	SCREW, 10 - 24 X 5/16	27	101	F338618-1	GEAR SHIFT ROD SEAL	41	-
F2090	PLUG	25	64	F338618-1	SEAL, GEAR SHIFT ROD	31	16
F2093	STOP NUT, 3/8 - 24	33	81	F338618-1	SEAL, GEAR SHIFT ROD	39	56
F2107	FILL HD SCREW, 10 - 24 X			F345475-1	COIL	9	44
	5/8	7	9	F345683	WIRE, REGULATOR-		
F2108	LOCK NUT, 5/16 - 18	33	73		RECTIFIER GROUND	7	5
F2108	STOP NUT, 5/16 - 18	25	58	F351307	SEAL, WATER PUMP	39	64
F2113	SPACER, BEVEL GEAR			F353480	STUD	31	25
	FRONT .080	37	-	F369349	REVERSE LOCK	31	37
F2114	SPACER, BEVEL GEAR			F369364	REVERSE LOCK ARM	33	52
	FRONT .083	37	-	F369510	LINK	31	39
F2115	SPACER, BEVEL GEAR			F369529-1	CYLINDER HEAD GASKET	25	74
	FRONT .086	37	-	F369529-1	CYLINDER HEAD GASKET	27	-
F2116	SPACER, BEVEL GEAR			F369610	BEARING	25	53
	FRONT .089	37	-	F369827	HANDLE AND SHAFT	33	53
F2121	SPACER, BEVEL GEAR			F369887	SHOULDER SCREW	25	52
	FRONT .057	37	-	F369977-1	INTERLOCK ARM	25	54
F2122	SPACER, BEVEL GEAR			F373778-1	RETAINER, ENGINE COVER	3	33
	FRONT .054	37	-	F381896-4	BATTERY CABLE	7	30
F213274	GREASE FITTING	13	27	F391926-1	CHOKE SOLENOID		
F213274	GREASE FITTING	31	32		PLUNGER	21	89
F213342	SEAL, FUEL LINE COUPLER			F3A523158	REED PLATE W/REEDS,		
	(LARGE)	43	4		REED STOP AND SCREW	17	19
F213735	SEAL, FUEL LINE COUPLER			F40209	CARBURETOR STUD	17	36
	(SMALL)	43	5	F40223	GASKET, TRANSFER PORT		
F235785	DECAL, COMPLIANCE -				COVER	23	41
	CANADA (NOT SHOWN)	9	-	F40223	TRANSFER PORT COVER		
F24278	PROPELLER SHAFT SPOOL				GASKET	27	-
	SEAL	41	-	F404097	FLYWHEEL	7	1
F24278	SEAL, "O" RING PROPELLER			F404268	SPRING, BY-PASS VALVE	25	84
	SHAFT SPOOL	37	10	F404470-1	REGULATOR-RECTIFIER	7	8
F269319	BEARING	17	32	F404513	COIL CLAMP	7	40
F284659-2	CRANKSHAFT THRUST			F404801	FITTING	23	36
	BEARING UPPER	29	22	F404841	CABLE, HEAT INDICATOR	7	37
F286461	SPRING, LOCK BAR			F40689-1	BEARING, TOWERSHAFT	25	60
	HANDLE	33	43	F407446	CLAMP	7	31
F289446-1	CLAMP	7	12	F409251-1	GAUGE CAP	43	1
F298788	FERRULE	43	7	F433114	HANDLE, LOCK BAR	33	44
				F433209-1	STUD	17	30
				F433253	HOSE	23	37

PARTS INDEX

Part Number	Description	Pg.	Ref. No.	Part Number	Description	Pg.	Ref. No.
F438066	BY-PASS VALVE COVER . . .	25	82	F499995	CYLINDER HEAD COVER . .	25	68
F438129	SEAL, DRIVESHAFT SPLINE	41	71	F50109	PLUG, GEAR HOUSING . . .	39	44
F438165	SCREW, FUEL PUMP BOWL	17	15	F50342-1	BEARING CAGE BOLT SEAL	41	-
F438169	BEARING	31	34	F50342-1	SEAL, BEARING CAGE		
F438271	RETAINER, CRANKSHAFT				BOLTS	37	8
	SPLINE SEAL	41	70	F506118	PROPELLER SHAFT SEAL .	41	-
F438346	SHOCK MOUNT, LOWER . .	33	67	F506118	SEAL, PROPELLER SHAFT .	37	9
F438398	DECAL, WIRING - USA . . .	25	75	F510374	DECAL, CIRCUIT BREAKER		
F438500	FUEL SEDIMENT BOWL . . .	17	14		U.S.A.	7	41
F438617	FUEL SEDIMENT BOWL			F510460	CIRCUIT BREAKER	7	22
	GASKET	17	13	F511125-2	TUBE, STEERING SUPPORT	31	23
F438653	FUEL SEDIMENT BOWL			F511675	STARTER BRACKET,		
	SCREEN	17	12		LOWER	11	15
F438668	RETAINER, CABLE CLAMP .	7	13	F523031	GASKET, WATER PUMP . . .	39	57
F438744-1	WIRING HARNESS	7	4	F523031	GASKET, WATER PUMP . . .	41	-
F438747	FUEL PUMP DIAPHRAGM . .	17	7	F523057	BEARING, DRIVESHAFT		
F438754	FUEL LINE	19	79		LOWER	39	66
F438760	FUEL PUMP GASKET	17	8	F523065	WATER PUMP IMPELLER . .	39	59
F438801	FITTING	17	5	F523065-1	IMPELLER	41	-
F438841-1	LEAD WIRE - CANADA	13	-	F523094-2	PROPELLER NUT	37	13
F438905	COIL WIRE - CANADA	13	-	F523099-1	SPACER, PROPELLER	37	19
F438930	RETAINER, SNOUT	39	36	F523116	EXHAUST SNOUT	39	38
F438962	SHOCK MOUNT SIDE	31	15	F523133-2	MOTOR LEG	33	75
F439736	SEAL EXHAUST TUBE	31	6	F523146	SEAL, LOWER	29	13
F460917	STARTER RELAY	7	26	F523188	NUT, BEVEL PINION		
F474073-1	CLAMP SCREW	31	26		RETAINING	39	34
F474387	TIMING DECAL - USA	9	57	F523244	INLET WATER LINE	37	5
F474390-1	DECAL, REVERSE LOCK -			F523273	STEERING BALL STUD	35	85
	USA	33	80	F523274	GREASE FITTING	33	78
F476066-1	COVER, THERMOSTAT	25	47	F523280	NUT, STEERING SUPPORT		
F476067	GASKET, THERMOSTAT				TUBE	33	77
	COVER	27	94	F523299-1	WASHER, PROPELLER		
F476067	THERMOSTAT COVER				SPLINE	37	17
	GASKET	27	-	F523300-1	SPRING	35	89
F480038-2	PLATE, SUPPORT	3	11	F523411	RETAINING RING	37	23
F480107-1	CAM, STARTER INTERLOCK	27	102	F523451	SPACER, REED STOP	21	103
F480388	DISC, WATER PUMP			F523498	DRIVE KEY, WATER PUMP .	39	68
	LOCATING	39	62	F523498	KEY	41	-
F480518	CYLINDER HEAD	25	72	F523555	GEAR HOUSING COVER		
F480551-1	BRACKET INTERLOCK				SEAL	41	-
	SWITCH	21	95	F523555	SEAL, "O" RING - GEAR		
F480818	BEARING, LATCH SHAFT . .	3	9		HOUSING COVER	39	49
F481061-2	CARBURETOR COMPLETE			F523562	PLATE, WATER PUMP	41	-
	(WB2IC)	19	72	F523562	WATER PUMP BACK PLATE	39	58
F481382-1	SPACER, LATCH SHAFT . . .	3	25	F523705	GEAR SHIFT ROD LOWER . .	39	46
F481434	GUIDE, ENGINE COVER . . .	5	38	F523813	BEARING CUP	37	30
F481567	CARBURETOR INTAKE			F523834	CLIP, SPARK PLUG WIRE . .	23	3
	ADAPTER	19	55	F523881-1	STEERING LINK	33	83
F481774	BRACKET, ENGINE COVER			F523899	GROMMET, WATER LINE . .	37	4
	LATCH	3	28	F523930	RETAINER	33	84
F481777	CAM, LATCH SHAFT	3	24	F523961	CRUSH RING	39	50
F481836	INTAKE GASKET	19	70	F523962	SHOCK MOUNT - C.D. UNIT	9	46
F481836	INTAKE GASKET	27	-	F528068	THERMOSTAT	25	70
F481860-1	CARBURETOR, INTAKE . . .	19	57	F530160	REED (5 PETAL)	17	18
F483884	BEARING	33	58	F531892	DECAL, PORT	45	-
F485755-1	FUEL TANK ADAPTER	43	3	F53504	GROMMET	19	58
F498618	"O" RING	39	33	F545189	BUSHING, CABLE ENTRY . .	3	13
F498618	GEAR SHIFT ARM PIN SEAL	41	-	F548984	BLANKET, SILENCER, TOP		
F498891	PIN, GEAR SHIFT ARM	39	32		(NOT SHOWN)	5	-

PARTS INDEX

Part Number	Description	Pg.	Ref. No.	Part Number	Description	Pg.	Ref. No.
F549189	BUSHING, ELECTRIC CABLE	3	12	F5H070	REMOTE ELECTRIC CABLE	55	-
F563	TERMINAL BLOCK KIT	56	-	F5H075	WIRING HARNESS -		
F58685-2	CONNECTOR, SHIFT CABLE	45	2		IGNITION SWITCH (24") . .	55	-
F590	REMOTE CONTROL HEAD			F5H076	SWITCH EXTENSION CABLE		
	(SINGLE LEVER) FLUSH				5'	56	-
	MOUNT	54	-	F5H077	IGNITION KEY SWITCH	55	-
F5H002	SPEEDOMETER FLUSH			F5H078	IGNITION KEY SWITCH	55	-
	MOUNT	56	-	F5H078	IGNITION SWITCH) W/KEYS		
F5H003	SPEEDMETER FLUSH				AND SCREWS	7	34
	MOUNT	54	-	F5H081	BATTERY CABLE	55	-
F5H004	SPEEDOMETER FLUSH			F5H094	STEERING LINK KIT	54	-
	MOUNT	55	-	F5H108	STEERING CONNECTOR . .	56	-
F5H005	TEMPERATURE GAUGE			F5H112	INSTRUMENT ADAPTER - 3		
	FLUSH MOUNT	55	-		1/2"	56	-
F5H006	VOLTMETER - FLUSH			F5H119	PROPELLER SPACER -		
	MOUNT	55	-		FLARED	55	-
F5H007	HOURLMETER - FLUSH			F5H120	REMOTE CONTROL BACK		
	MOUNT	55	-		PLATE	56	-
F5H008	FUEL GAUGE FLUSH			F5H130	REMOTE CONTROL BOX		
	MOUNT	55	-		(SINGLE LEVER)		
F5H010	POWER TRIM INDICATOR .	54	-		(SURFACE MOUNT)	54	-
F5H012	TACHOMETER FLUSH			F5H131	PORT SIDE DECAL KIT	54	-
	MOUNT	55	-	F5H134	BOAT WHITE LACQUER	54	-
F5H014	FLUSHING ADAPTER	54	-	F63754	HOSE INTAKE DRAIN	19	63
F5H018	DUAL ENGINE TIE BAR	54	-	F7004	STOP NUT, 3/18 - 16	23	24
F5H019	ANTI-CORROSION KIT	54	-	F7012	LOCK NUT, 1/2 - 20	31	17
F5H021	EXTENSION CABLE	55	-	F7013	STOP NUT	13	2
F5H025	ANTI-CORROSION			F74305	GEAR HOUSING COVER		
	SACRIFICIAL ANODE	54	-		SEAL	41	-
F5H026	FUEL TANK (ACCESSORY			F74305	SEAL, DRIVESHAFT		
	ITEM)	43	2		BEARING CAGE	39	51
F5H026	STEEL, 6 GALLON FUEL			F762	REMOTE ELECTRIC CABLE	55	-
	TANK (LOW PROFILE)	54	-	F8003	PLAIN WASHER	23	30
F5H028	SENDING UNIT	55	-	F8004	WASHER, PLAIN	3	23
F5H029	TANK ANCHOR	54	-	F8011	PLAIN WASHER	7	20
F5H030	SWITCH KIT - RUNNING			F8026	PLAIN WASHER	21	-
	LIGHTS	54	-	F8028	PLAIN WASHER	11	13
F5H031	SWITCH KIT - SPOT LIGHT .	54	-	F8038	PLAIN WASHER	27	103
F5H032	SWITCH KIT - WIPER	54	-	F8038	PLAIN WASHER	35	88
F5H034	SWITCH KIT - BILGE PUMP .	54	-	F8039	PLAIN WASHER	33	62
F5H035	SWITCH KIT - HORN	54	-	F8039	PLAIN WASHER	33	82
F5H036	SWITCH KIT - TACHOMETER			F8056	LOCKWASHER	13	18
	TRANSFER	54	-	F8056	LOCKWASHER	15	43
F5H037	CIGAR LIGHTER	55	-	F8056	SPRING LOCKWASHER	7	7
F5H038	IGNITION SWITCH			F8056	SPRING LOCKWASHER	25	87
	MOUNTING KIT			F8058	INTERNAL TOOTH		
	(ACCESSORY ITEM)	9	49		LOCKWASHER	17	27
F5H038	SWITCH KIT - IGNITION			F8058	INTERNAL TOOTH		
	SWITCH	55	-		LOCKWASHER	25	48
F5H039	SWITCH KIT - INSTRUMENT			F8077	WASHER, GEAR HOUSING		
	LIGHT	55	-		PLUG	39	43
F5H040	STEEL, 12 GALLON FUEL			F8080	SPRING LOCKWASHER	35	87
	TANK	54	-	F8083	LOCKWASHER	3	22
F5H041	BATTERY TERMINAL KIT . .	55	-	F8083	SPRING LOCKWASHER	9	43
F5H041	BATTERY TERMINAL KIT			F8083	SPRING LOCKWASHER	31	3
	(ACCESSORY ITEM)	7	32	F8083	SPRING LOCKWASHER	39	54
F5H043	OVERHEAT BUZZER	54	-	F8083	SPRING LOCKWASHER	41	-
F5H043	OVERHEAT BUZZER			F8088	PLAIN WASHER	21	102
	(ACCESSORY ITEM)	7	36	F8088	PLAIN WASHER	21	83
F5H068	RFI SUPPRESSION KIT	55	-	F8088	WASHER	41	-

PARTS INDEX

Part Number	Description	Pg.	Ref. No.	Part Number	Description	Pg.	Ref. No.
F8094	PLAIN WASHER	33	55	F85173	RETAINING RING	13	6
F8095	PLAIN WASHER	27	104	F85192-1	THROTTLE CAM	17	33
F8096	LOCKWASHER	3	18	F85210	STUD	27	91
F8096	LOCKWASHER	3	30	F85211	STUD, REAR	23	46
F8096	SPRING LOCKWASHER	7	25	F85253-1	FUEL LINE	21	88
F8096	SPRING LOCKWASHER	33	68	F85258	INSERT	31	10
F8096	SPRING LOCKWASHER	39	40	F85279-2	CYLINDER EXHAUST GASKET, UPPER	25	51
F84011	WASHER	33	51	F85279-2	CYLINDER, EXHAUST - UPPER GASKET	27	-
F84074	CLAMP SCREW FOOT	31	24	F85300	REVERSE LOCK SPRING	31	38
F84146-2	SEAL	29	20	F85311	DISTRIBUTOR BELT	13	1
F84278	CRANKSHAFT BRG. SEAL CAGE SEAL	27	-	F85314-1	FUEL FITTING	21	92
F84278	SEAL, CRANKSHAFT BEARING CAGE	29	17	F85317-1	CLAMP	21	90
F84286-1	FRICTION WASHER	33	47	F85350-1	TILT STOP PIVOT	31	29
F84305	PROPELLER SHAFT SPOOL SEAL	41	-	F85372	PIN, GEAR SHIFT ROD LOWER	39	48
F84305	SEAL, PROPELLER SHAFT BEARING SPOOL	37	12	F8538	SPRING PIN	31	27
F84307-1	DRIVE SHAFT SEAL	41	-	F85380	SPRING	31	11
F84307-1	SEAL, DRIVESHAFT	39	52	F85410	SNAP RING	29	8
F84314-2	ELBOW	17	3	F85426	TILT STOP	33	48
F84314-2	ELBOW	23	22	F85445	DISTRIBUTOR CONTROL ROD	23	18
F84342	SEAL, INLET WATER LINE UPPER	37	3	F85472-2	CYLINDER DRAIN COVER GASKET	27	-
F84449	INTERLOCK SWITCH	21	98	F85472-2	GASKET, CYLINDER DRAIN COVER	23	32
F84504	GROMMET	25	71	F85498	FLYWHEEL KEY	29	16
F84504	THERMOSTAT GROMMET	27	-	F85502	THROTTLE LINK	23	8
F84521-1	CLUTCH	37	27	F85509-1	CHOKE LINK	19	78
F84792	GASKET, FUEL PUMP VALVE	17	10	F85541-1	TILT LOCK	31	30
F84871-1	PIN, GEAR SHIFT	37	25	F85571	BEARING CAGE W/ROLLER	29	10
F85017	PISTON PIN	29	4	F85606	KINGPIN CAP	31	31
F85026	SWIVEL	23	21	F85610	BEARING	25	56
F85033	CHOKE ROD SWIVEL	19	81	F85615	GEAR SHIFT ROD UPPER	33	72
F85035	DISTRIBUTOR CONTROL ROD END	23	20	F8563	DOWEL PIN	27	92
F85036	TOWERSHAFT CONTROL ROD END	23	17	F85634-2	CONNECTING ROD SCREW	29	14
F85037-1	STERN BRACKET PIVOT BOLT	33	46	F85660-1	EXHAUST TUBE	31	2
F85095-2	STATOR	7	3	F85664	DISTRIBUTOR GROUND	13	28
F85117	BRACKET, WATER LINE	37	2	F85664	WIRE DISTRIBUTOR GROUND	9	53
F85122	CRANKCASE SEAL	27	-	F85704	COUPLER, GEARSHIFT ROD UPPER	33	76
F85122	PARTING LINE SEAL	27	93	F85748-2	CYLINDER DRAIN REED PLATE GASKET	27	-
F85130	BOOT, IDLE EXHAUST	31	9	F85748-2	GASKET, CYLINDER DRAIN REED PLATE	23	25
F85151-1	EXHAUST PORT PLATE	25	80	F85762	BY-PASS VALVE GASKET	27	-
F85152-4	EXHAUST PORT COVER	25	78	F85762	GASKET, BY PASS	25	83
F85154-1	EXHAUST PORT PLATE GASKET	27	-	F85772	CLAMP	31	12
F85154-1	GASKET, EXHAUST PORT PLATE	25	79	F85779-1	BAFFLE, AIR INTAKE	33	60
F85159	GASKET, INTAKE MANIFOLD	17	22	F85836-1	INTAKE GASKET	27	-
F85159	MANIFOLD GASKET	27	-	F85843-1	REMOTE ELECTRIC CABLE, 18 FEET	7	38
F85161-1	REED STOP	17	17	F85859	STUD, FORWARD	23	23
F85162	REED PLATE ADAPTER	17	21	F85906	CARBURETOR GASKET	17	35
F85168	CARBURETOR ADAPTER FLANGE GASKET	27	-	F85906	CARBURETOR GASKET	27	-
F85168	GASKET REED PLATE ADAPTER	17	20	F85908	STARTER LEAD WIRE	11	19
				F85916-1	BY-PASS VALVE	25	85
				F85924	CHOKE SOLENOID	7	28

PARTS INDEX

Part Number	Description	Pg.	Ref. No.	Part Number	Description	Pg.	Ref. No.
F85925	CHOKE ROD	21	86	FA548180	TRIM, REAR	3	4
F85965	SHOCK MOUNT, UPPER	33	64	FA548888	TRIM, FRONT	3	36
F89758	FUEL PUMP AIR HOSE, TOP	17	4	FA549944	COVER, ENGINE		
F9018	CAP	31	28		W/RETAINER, SCREWS & NUTS	3	5
F9052	PLUG	33	74	FA550706	GEAR HOUSING COVER		
F90619-1	YOKE	41	73		W/SEALS	39	53
F90807	RETAINING RING	19	47	FA578396	DECAL, STARBOARD	3	-
F9095	SHIM, DRIVESHAFT			FA578397	DECAL, PORT	3	6
	BEARING UPPER .005			FA578892	DECAL, FRONT	3	35
	SILVER	39	-	FA581386	DECAL, NUMERAL 85	3	7
F9097	SHIM, DRIVESHAFT			FA58976-1	CONNECTOR, THROTTLE		
	BEARING UPPER .010				CABLE	45	1
	BLACK	39	-	FA80894	TIMING POINTER	23	1
F9106	SHIM, DRIVESHAFT			FA84621-1	COUPLING, GEAR SHIFT		
	BEARING UPPER .003				ARM W/BUSHING	39	45
	BRASS	39	67	FA84754-1	FUEL LINE SHORT		
F91446-1	CIRCUIT BREAKER				W/FERRULES	43	8
	BRACKET	7	21	FA85018-2	CRANKSHAFT W/BEARING	29	15
F92759	THROTTLE ROLLER	19	48	FA85019	KINGPIN W/PLUG	31	35
F93811	SCREEN	23	26	FA85193	TIE BAR END W/SWIVEL	17	43
F93920	REED STOP	23	29	FA85355-1	WASHER SHOCK MOUNT		
F97772	FUEL LINE CLAMP	43	11		UPPER	33	63
F97772	HOSE CLAMP	19	62	FA85511	THROTTLE TIE BAR		
F98273	ROD END CONNECTOR				W/SWIVEL	17	44
	STUD	25	50	FA85655-1	CRANKSHAFT MAIN		
FA14048-2	PREAMPLIFIER	13	17		BEARING RACE W/SNAP RING	29	9
FA15072	HEX LOCK NUT, 1/4 - 20	11	11	FA85838-5	TOWERSHAFT		
FA321574	DISTRIBUTOR BRACKET	13	10		W/BEARINGS, SWIVEL, ARMS AND SCREW	23	10
FA335260	PISTON RING SET (3 PER SET)	29	1	FAC535395	PLATE, IDENTIFICATION		
FA368700	KEY, IGNITION, NO LETTER OR STAMPED A	9	54		W/SCREWS - CANADA	3	-
FA411222	TRANSFER PORT COVER			FB368700	KEY, IGNITION, STAMPED B	9	-
	W/PLUG	23	40	FC368700	KEY, IGNITION - STAMPED C	9	-
FA438113	STERN BRACKET LOCK BAR			FC409398	DECAL, TOTE TANK - CANADA (NOT SHOWN)	43	-
	W/HANDLE	31	42		DECAL, WIRING - CANADA	25	-
FA438431	FUEL PUMP BODY			FC474387	TIMING DECAL - CANADA	9	-
	W/VALVES	17	11	FC499390	DECAL - CANADA (NOT SHOWN)	11	-
FA438493	TERMINAL BLOCK BRACKET	7	11	FC510374	DECAL, CIRCUIT BREAKER - CANADA	7	-
FA439746	FUEL PUMP COVER	17	6	FC522227	SPARK PLUG QUL-77V (CANADA)	25	-
FA480179	TRIM, TOP	3	1	FC550054	GEAR HOUSING COMPLETE (NOT SHOWN)	39	-
FA480269	HANDLE, TILT	3	3	FD368700	KEY, IGNITION - STAMPED D	9	-
FA480876	GEAR SHIFT ARM				KEY, IGNITION - STAMPED E	9	-
	W/SWIVEL, INTERLOCK			FE368700	GASKET SET	27	106
	ARM AND BEARINGS	25	57	FG1020	SEAL KIT	41	74
FA481469	HANDLE, LATCH ENGINE			FK1069	WATER PUMP KIT	41	75
	COVER - W/SHAFT	3	8	FK17114-1	INDICATOR	45	32
FA481743	LATCH, ROLLER BRACKET	3	29	FK405020	SWIVEL W/PIVOT SCREW AND NUT	23	15
FA498266	BEVEL PINION GEAR			FK550128	DRIVESHAFT W/BEARING, SHIMS AND CRUSH RING	41	69
	W/CRUSH RING AND SHIMS	39	35	FK750-1	SPARKIE W/SPRING	15	44
FA510497	TERMINAL BLOCK	7	15				
FA523014	CRANKSHAFT LOWER MAIN						
	BEARING W/SEAL	29	12				
FA523054	GEAR HOUSING	39	42				
FA523098	PROPELLER SHAFT	37	24				
FA523485	ANTI-CORROSION ANODE	37	21				
FA523735	SEAL, INLET WATER LINE						
	LOWER	39	65				

PARTS INDEX

Part Number	Description	Pg.	Ref. No.	Part Number	Description	Pg.	Ref. No.
FK85228	BEARING CAGE W/ROLLER	29	7	FT2963-1	SEALANT - 2 OZ. LOCTITE		
FO10165	INLET SEAT GASKET	19	75		D, HARDENING GRADE	52	-
FO10588	BODY CHANNEL CUP PLUG	17	39	FT2987-1	LUBRICANT - ANTI-SEIZE	52	-
FO10790	INLET NEEDLE, SEAT AND			FT2990	PISTON PIN TOOL	49	-
	GASKET	19	76	FT2996	RING COMPRESSOR	49	-
FO11103	IDLE SCREW SPRING	19	53	FT3012	SEAL INSTALLER	50	-
FO13430	MAIN FUEL JET OPT. (.070)			FT7848	TORQUING ADAPTER	50	-
	1500 FT. - 3000 FT.	19	-	FT8901	INDICATOR HOLDER	50	-
FO13552	FUEL BOWL	19	67	FT8902	DIAL INDICATOR	50	-
FO13554	FLOAT	19	69	FT8903	SEAL INSTALLER	49	-
FO13555	CHOKE SHUTTER	19	77	FT8907	DRIVE HANDLE	49	-
FO13944	FLOAT LEVER PIN	19	68	FT8907	DRIVER HANDLE	50	-
FO13945	FUEL BOWL RETAINING			FT8914	SEAL REMOVER	49	-
	SCREW	19	65	FT8918	BEARING GUIDE SET	50	-
FO13946	IDLE SCREW	19	54	FT8919	SPRING PIN PUNCH	50	-
FO13947	CHOKE SHAFT RETURN			FT8925	SEAL INSTALLER	49	-
	SPRING	19	73	FT8925	SEAL INSTALLER	50	-
FO13967	MAIN FUEL JET OPT. (.068)			FT8926	RING EXPANDER	49	-
	3000 FT. - 4500 FT.	19	-	FT8927	SEAL PROTECTOR	49	-
FO14108	MAIN FUEL JET OPT. (.064)			FT8933	LIFTING HOOK	49	-
	6000 FT. & UP	19	-	FT8935	SEALANT PRIMER - 6 OZ.	52	-
FO14188	MAIN FUEL JET OPT. (.066)			FT8936	SEALANT - 2 CC LOCTITE		
	4500 FT. - 6000 FT.	19	-		RETAINING COMPOUND		
FO15026	MAIN FUEL JET STD. (.072)				#75	52	-
	SEA LEVEL - 1500 FT.	19	52	FT8948-1	PULLER	48	-
FO15217	MAIN NOZZLE	21	93	FT8948-1	PULLER	50	-
FO15230	THROTTLE SHAFT AND			FT8950	LEAKAGE TESTER	51	-
	LEVER	19	50	FT8953	IGNITION TESTER	51	-
FO15623	FUEL BOWL GASKET	19	71	FT8955	SEALANT - 5 OZ. EC-750		
FO16008	THROTTLE SHAFT RETURN				INDUSTRIAL SEALANT	52	-
	SPRING	19	51	FT8957	SEAL INSTALLER	50	-
FO16850	CHOKE SHAFT AND LEVER	19	74	FT8969	LUBRICANT - 7 OZ. 2 PSI		
FO16851	THROTTLE SHUTTER	17	42		LUBRICANT	52	-
FO2510	GASKET, FUEL BOWL			FT8978	TIMING LIGHT	48	-
	RETAINING SCREW	19	66	FT8978	TIMING LIGHT	51	-
FO4326	BODY CHANNEL WELCH			FT8985	SEAL INSTALLER	50	-
	PLUG	17	38	FT8993	SEALANT - 3 OZ. RTV		
FO8942	SHUTTER SCREW				SEALANT FROM IN PLACE		
	W/LOCKWASHER	17	41	FT8997	GASKETS	52	-
FO8942	THROTTLE SHUTTER			FT8997	SHIMMING TOOL SET	50	-
	SCREW AND			FTA2937-1	TIMING TOOL	48	-
	LOCKWASHER	21	96	FTK8999	TEST WHEEL	51	-
FOB2603	INSTALLATION			OB3061	LITERATURE (NOT SHOWN)		
	INSTRUCTIONS (FOR				REMOTE CONTROL	47	-
	5H094 STEERING LINK			T11211	BOAT WHITE	53	-
	KIT)	35	90	T11212	BOAT BLACK	53	-
FPS524	PROPELLER (ACCESSORY			T11230	ORANGE	53	-
	ITEM)	37	18	T11232	METALLIC SILVER	53	-
FS409752	FUEL LINE COMPLETE	43	-	T11233	MEDIUM METALLIC SILVER	53	-
FS480955	STARTER COMPLETE	11	-	22-817789A1	DRAIN FITTING	19	64
FSA335260	PISTON RING (3 PER SET)			22-818103--1	ELBOW	19	61
	.010 OVERSIZE (NOT			31-817785A2	CRANKSHAFT BEARING		
	SHOWN)	29	-		CAGE W/SEAL	29	18
FT1082	SNAP RING PLIER	49	-	32-817738A1	FUEL LINE LONG W/CLAMP		
FT11204	BEARING CUP INSTALLER	50	-		AND FERRULE	43	10
FT11205	BEARING			33-97180	SPARK PLUG (CHAMPION L-		
	INSTALLER/REMOVER	50	-		20-V) USA	25	65
FT11209	BEARING GUIDE SET	50	-	37-819450	DECAL, REVERSE LOCK -		
FT2961	LUBRICANT - RYKON #2EP	52	-		CANADA	33	-

PARTS INDEX

Part Number	Description	Pg.	Ref. No.	Part Number	Description	Pg.	Ref. No.
46-817853A1	WATER PUMP	41	-				
46-817853A1	WATER PUMP BODY W/DRIVESHAFT SEAL, DISC AND WATER LINE SEAL	39	60				
84-817775A1	COIL WIRE W/TERMINAL CLIP - USA	13	29				
87-817778A1	THERMOSWITCH	27	88				
300-817855A1	UNIT	9	45				
600-818052A4	CONNECTING ROD W/CAP AND SCREWS	29	6				
700-817988A2	PISTON .010 OVERSIZE (NOT SHOWN)	29	-				
700-818111A2	PISTON .030 OVERSIZE (NOT SHOWN)	29	-				
700-F372015-3	PISTON	29	2				
800-817823A7	CYLINDER ASSEMBLY W/PARTNG LINE SEAL & LOWR MAIN BEARG ASS'Y	27	89				
800-817901A9	SHORT BLOCK (NOT SHOWN).	27	-				
1400-817958A6	STERN BRACKET	31	19				