



PARTS CATALOG

85 H.P.

SERIAL NUMBER

85 (1979)	855H9A
85 (1979)	P855H9A
85 (1979)	S855H9A

TABLE OF CONTENTS:

ACCESSORIES	54
CARBURETOR	16
CRANKSHAFT AND PISTON	28
DISTRIBUTOR	10
DUAL STEERING	42
ELECTRICAL COMPONENTS	6
ENGINE COVER AND SUPPORT PLATE	2
FUEL TANK AND LINE	40
GEAR HOUSING	34
MOTOR LEG	30
PARTS INDEX	57
POWER TRIM UNIT	44
POWERHEAD	22
SPECIAL TOOLS - DECAL REPAIR SHEETS	53
SPECIAL TOOLS - GEAR HOUSING	50
SPECIAL TOOLS - LUBRICANTS AND SEALANTS	52
SPECIAL TOOLS - POWER HEAD	49
SPECIAL TOOLS - TEST EQUIPMENT	51
SPECIAL TOOLS - TUNE-UP	48
STARTER	14

NOTE: Indented description indicate that these parts are included in preceeding assembly.

AR = As Required

NSS = Not Sold Separate

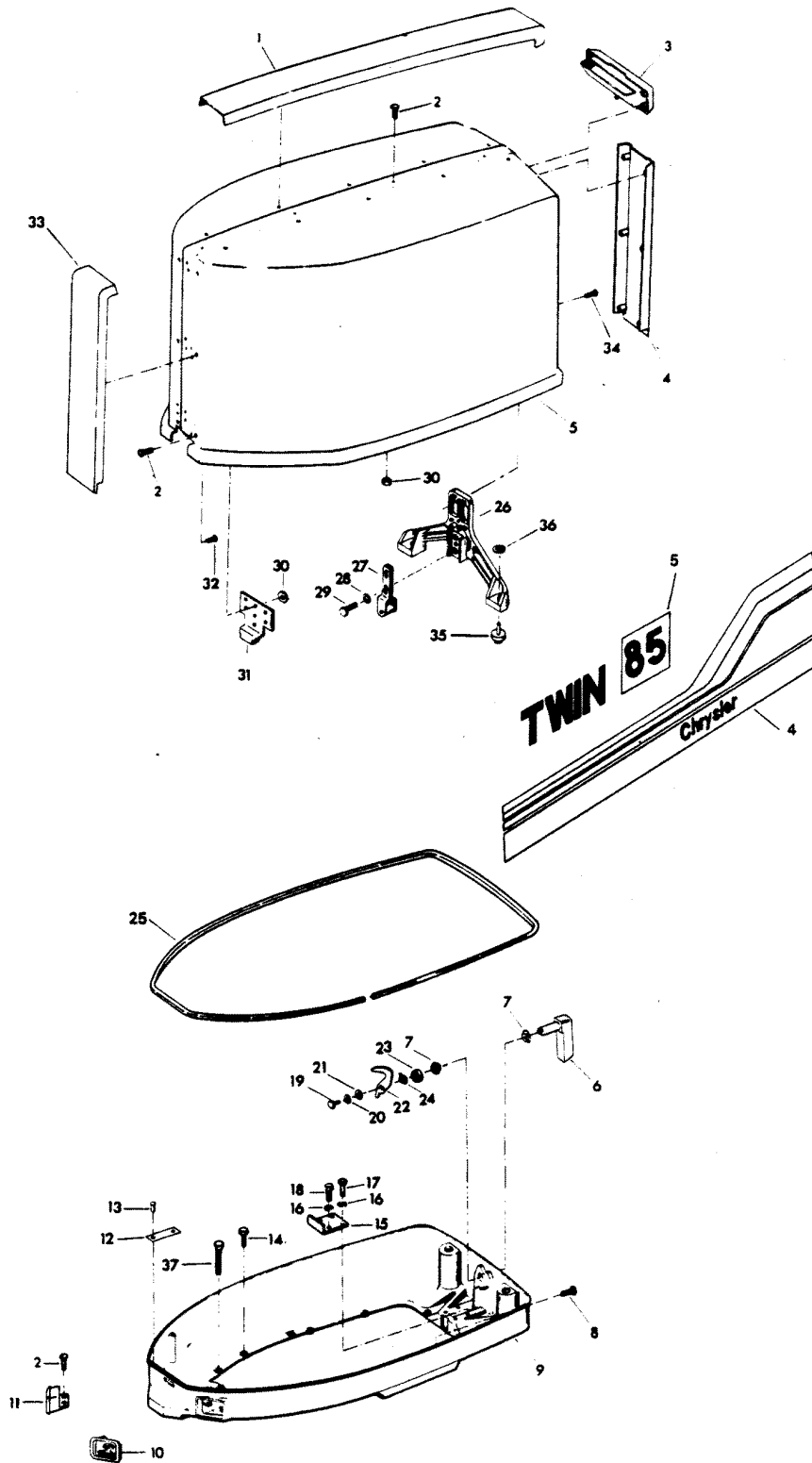
OPT = Optional

NS = Not Shown

THESE PARTS BOOKS/FICHE CARD ARE COPYRIGHTED AND MAY NOT BE DISTRIBUTED OR REPRODUCED IN ANY OTHER FORMAT BY ANYONE OTHER THAN MERCURY MARINE WITHOUT THE PRIOR WRITTEN CONSENT OF MERCURY MARINE.

THIS PAGE INTENTIONALLY LEFT BLANK

ENGINE COVER AND SUPPORT PLATE

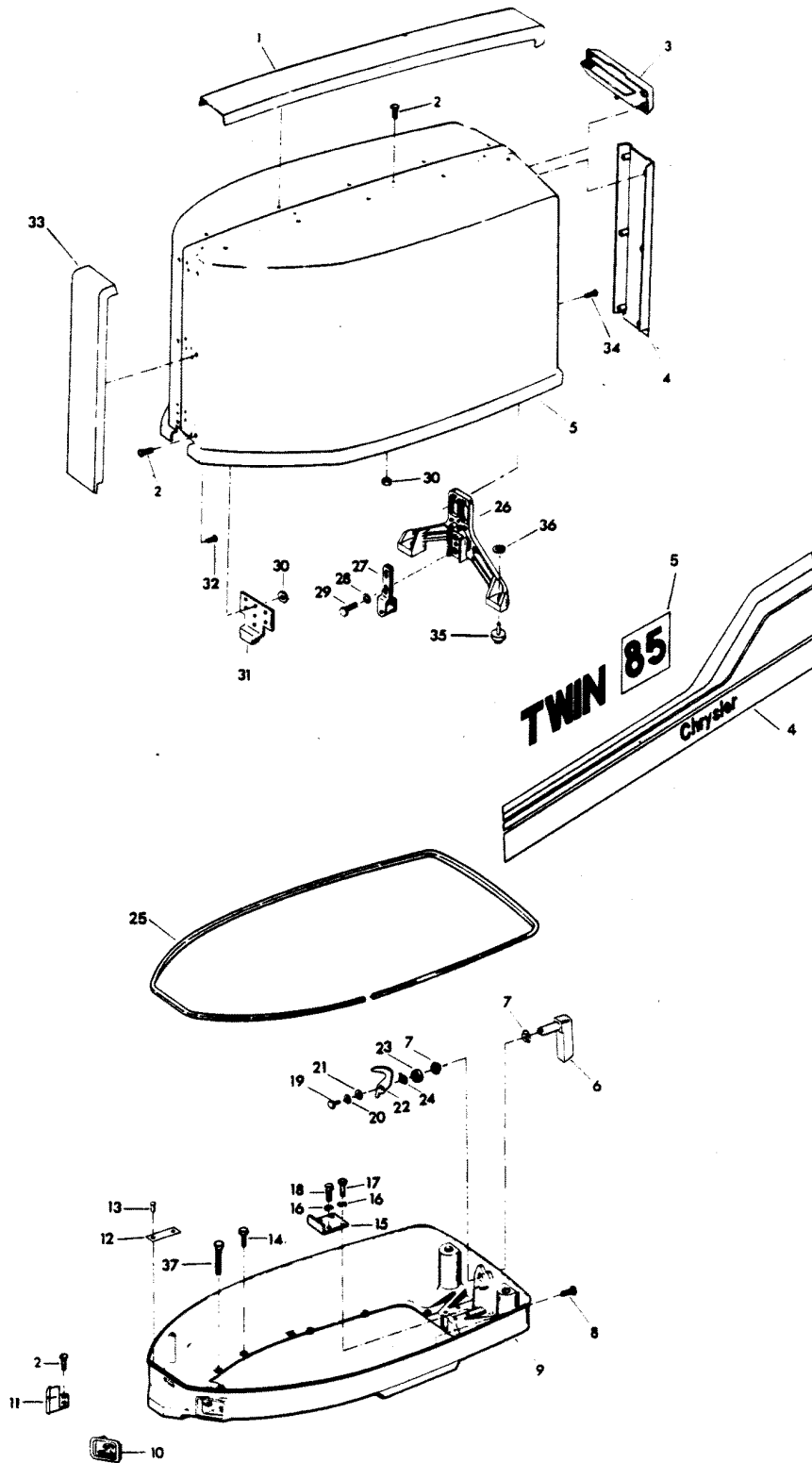


ENGINE COVER AND SUPPORT PLATE

REF. NO.	PART NO.	SYM.	QTY.	DESCRIPTION
1	FS548179		1	TRIM, TOP
2	F1733		10	PAN HD SCREW, 10 - 24 X 9/16
3	FS548269		1	TILT HANDLE
4	FS548180		1	TRIM, REAR
5	FA549944		1	ENGINE COVER W/RETAINER, SCREWS AND NUTS
-	3C404944		1	ENGINE COVER COMPLETE, PORT INCLUDES ALL ITEMS MARKED WITH AN ASTERISK (*).
-	5C404944		1	ENGINE COVER COMPLETE, STARBOARD
6	FA481469		1	ENGINE COVER LATCH HANDLE W/SHAFT
7	F480818		2	BEARING, LATCH SHAFT
8	F1238		6	HEX CAP SCREW, 1/4 - 20 X 3/4
9	F480038-2		1	SUPPORT PLATE
10	F549189		1	BUSHING, ELECTRIC CABLE
11	F545189		1	BUSHING, CABLE ENTRY
12	FA535395		1	IDENTIFICATION PLATE W/SCREWS FOR U.S.A. MODELS
13	F1447		2	ROUND HD SCREW, 2 X 3/16
14	F1502		5	HEX SLOT HD SCREW, 1/4 - 20 X 5/8
15	F335654-1		1	DEFLECTION STOP
16	F8096		4	SPRING LOCKWASHER
17	F1857		2	HEX CAP SCREW, 5/16 - 18 X 5/8
18	F1858		2	HEX CAP SCREW, 5/16 - 18 X 1
19	F1854		1	HEX CAP SCREW, 1/4 - 20 X 5/8
20	F8083		1	SPRING LOCKWASHER
21	F8094		1	PLAIN WASHER
22	F481777		1	CAM, LATCH SHAFT
23	F481382-1		1	SPACER, LATCH SHAFT
24	F2047		1	WAVE SPRING WASHER
25	F321756		1	PACKING
26	F481774		1	BRACKET, ENGINE COVER LATCH
27	FA481743		1	BRACKET, ROLLER LATCH
28	F8096		2	SPRING LOCKWASHER
29	F1857		2	HEX CAP SCREW, 5/16 - 18 X 5/8
30	F1473		7	HEX NUT, 10 - 24
31	F333480-1		1	RETAINER, ENGINE COVER
32	F2066		26	PAN HD TAPPING SCREW, 10 X 7/16
33	FS548888		1	TRIM, FRONT
34	F1730		2	PAN HD SCREW, W/SPRING LOCKWASHER, 1/4 - 20 X 5/8
-	F548984		1	BLANKET, SILENCER TOP (NOT SHOWN)
-	F548985		2	BLANKET, SILENCER SIDE (NOT SHOWN)
35	F481434		2	GUIDE, ENGINE COVER

CONTINUED ON NEXT PAGE ➡

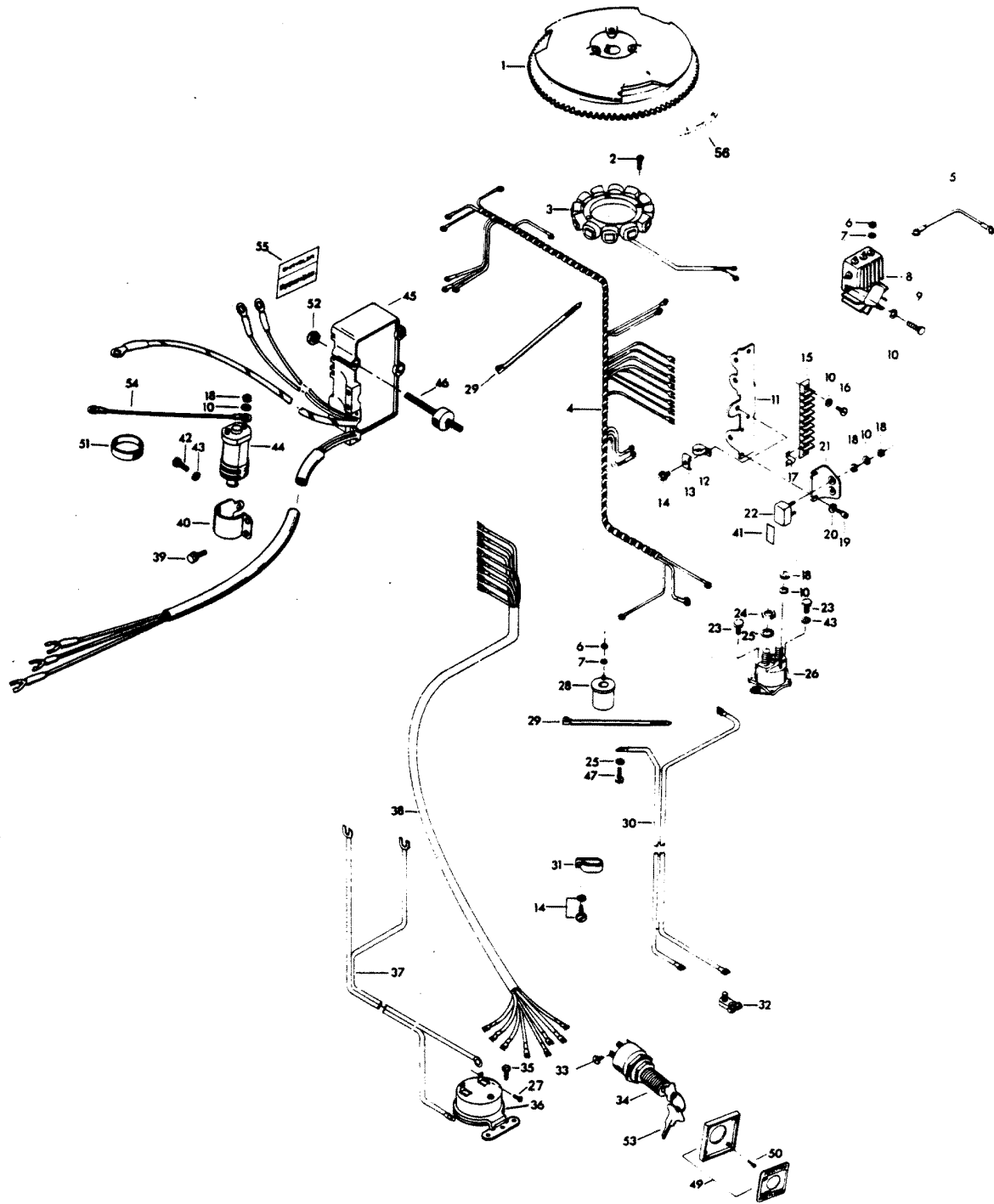
ENGINE COVER AND SUPPORT PLATE



ENGINE COVER AND SUPPORT PLATE

REF. NO.	PART NO.	SYM.	QTY.	DESCRIPTION
36	F2088		2	FASTENER
37	F1849		2	HEX HD CAP SCREW, 1/4 - 20 X 1 3/8
38	A383397		1	DECAL, PORT
-	A383396		1	DECAL, STARBOARD
39	A404386		1	DECAL, TWIN "85"

ELECTRICAL COMPONENTS

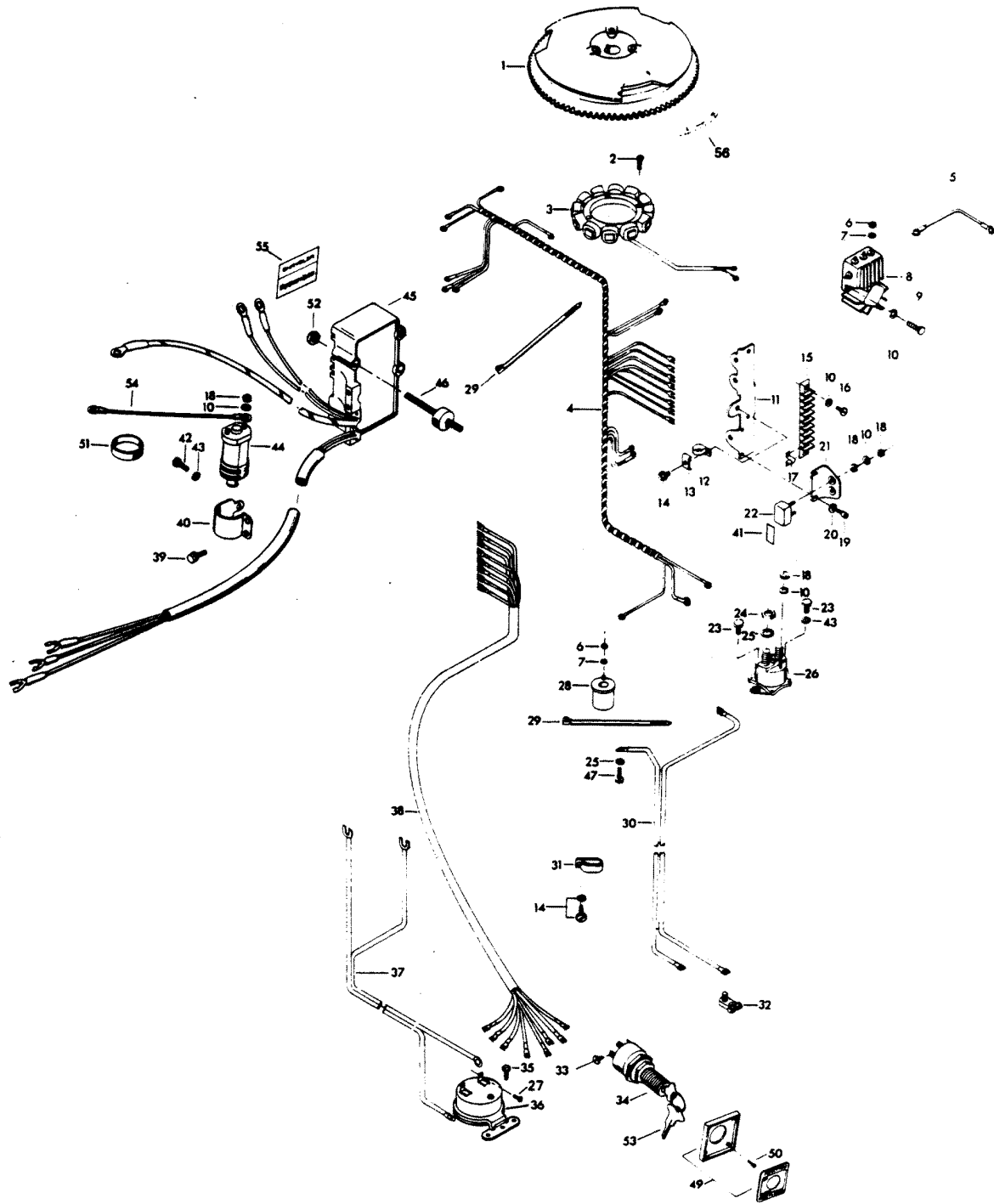


ELECTRICAL COMPONENTS

REF. NO.	PART NO.	SYM.	QTY.	DESCRIPTION
1	F404097		1	FLYWHEEL
2	F1678		6	FILL HD SCREW, 10 - 24 X 13/16
3	F85095-2		1	STATOR
4	F438744-1		1	WIRING HARNESS
5	F345683		1	WIRE, REGULATOR - RECTIFIER GROUND
6	F1647		5	HEX NUT, 8 - 32
7	F8056		5	SPRING LOCKWASHER
8	F404470-1		1	REGULATOR - RECTIFIER
9	F2001		3	FILL HD SCREW, 10 - 24 X 5/8
10	F1975		11	SPRING LOCKWASHER
11	FA438493		1	TERMINAL BLOCK BRACKET WITH ITEMS 13, 14 (ITEM 6 ON PAGE 14)
12	F289446-1		1	CLAMP
13	F438668		1	RETAINER, CABLE CLAMP
14	F1734		2	FILL HD SCREW W/LOCKWASHER 1/4 - 20 X 1/2
15	FA510497		1	TERMINAL BLOCK
16	F1648		2	PAN HD SCREW, 10 - 24 X 3/4
17	F307317		1	CLIP, TERMINAL BLOCK
18	F1513		8	HEX NUT
19	F1760		2	PAN HD SCREW, 10 - 24 X 3/8
20	F8011		2	PLAIN WASHER
21	F91446-1		1	CIRCUIT BREAKER BRACKET
22	F510460		1	CIRCUIT BREAKER
23	F1705		2	HEX CAP SCREW, 1/4 - 20 X 3/4
24	F1515		2	HEX NUT
25	F8096		3	SPRING LOCKWASHER
26	F460917		1	STARTER RELAY
27	F1645		2	HD. SCREW 6 - 32 X 1/4
28	F85924		1	CHOKE SOLENOID
29	F1877		2	TY-RAP
30	F381896-4		1	BATTERY CABLE
31	F407446		1	CLAMP
32	F5H041		1	BATTERY TERMINAL KIT ACCESSORY ITEM
33	F1280		5	PAN HD SCREW, 8 - 32 X 1/4
34	F5H078		1	IGNITION SWITCH (LONG BARREL) W/KEYS AND SCREWS (ACCESSORY ITEM)
35	F1741		2	PAN HD SCREW, 8 X 3/4
36	F5H043		1	OVERHEAT BUZZER (ACCESSORY ITEM)
37	F404841		1	CABLE, HEAT INDICATOR
38	F85843-1		1	REMOTE ELECTRIC CABLE, 18 FEET
39	F1851		2	FILL HD SCREW W/LOCKWASHER, 10 - 24 X 1/2
40	F404513		1	COIL CLAMP
41	F510374		1	DECAL, CIRCUIT BREAKER - U.S.A.
42	F1689		1	HEX HD CAP SCREW, 1/4 - 20 X 1/2

CONTINUED ON NEXT PAGE ➡

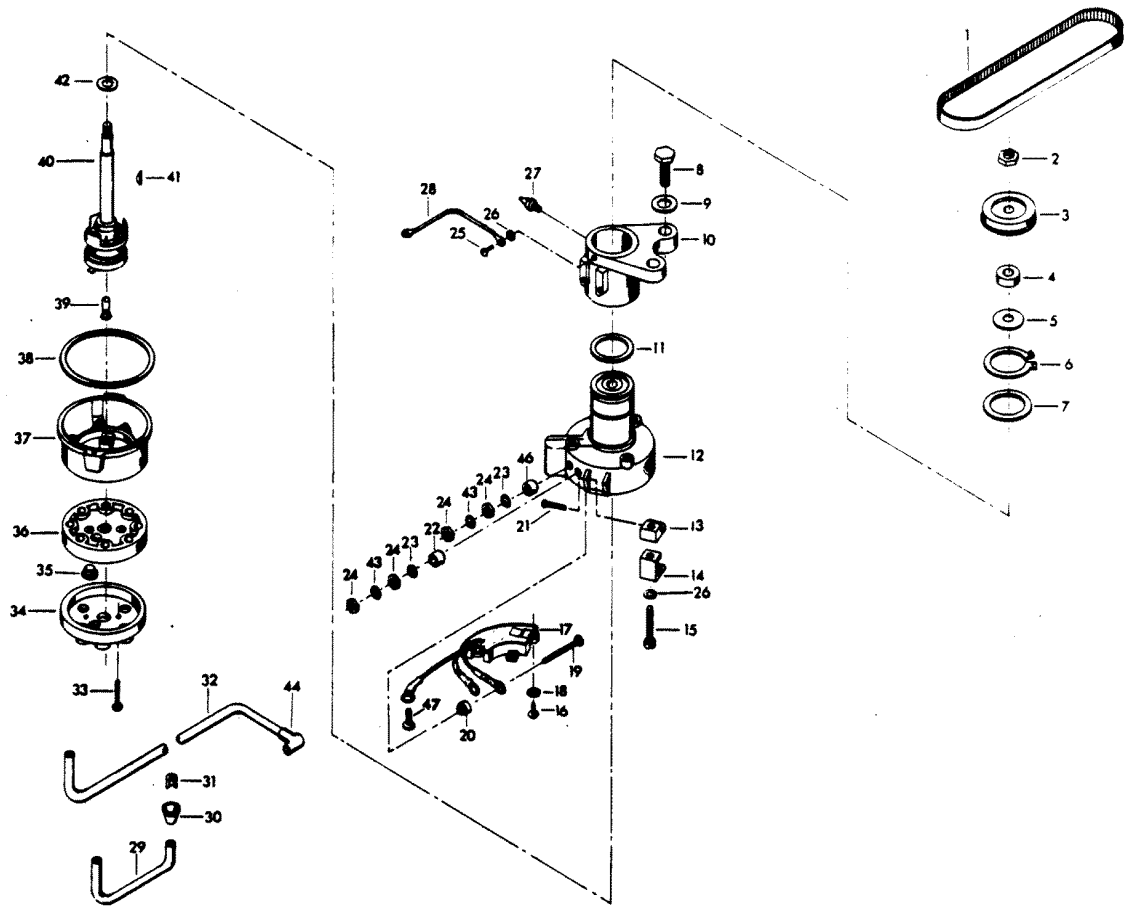
ELECTRICAL COMPONENTS



ELECTRICAL COMPONENTS

REF. NO.	PART NO.	SYM.	QTY.	DESCRIPTION
43	F8083		2	SPRING LOCKWASHER
44	F345475-1		1	COIL
45	300-817855A1		1	UNIT (Does not include Coil and Clamp)(Original Force P/N A 523301-1)
46	F523962		3	SHOCK MOUNT
47	F2000		1	HEX CAP SCREW, 5/16 - 18 X 3/4
49	F5H038		1	IGNITION SWITCH MOUNTING KIT (ACCESSORY ITEM)
50	F1934		4	FLAT HD SLOTTED SCREW, 6 X 1/2
51	F391983		2	BAND, RETAINING
52	F1892		3	STOP NUT
53	FA368700		1	IGNITION KEY - NO LETTER OR STAMPED A
-	FB368700		1	IGNITION KEY - STAMPED B
-	FC368700		1	IGNITION KEY - STAMPED C
-	FD368700		1	IGNITION KEY - STAMPED D
-	FE368700		1	IGNITION KEY - STAMPED E
54	F85664		1	GROUND WIRE
55	480373		1	DECAL, MAGNAPOWER IGNITION
56	F474387		1	TIMING DECAL

DISTRIBUTOR

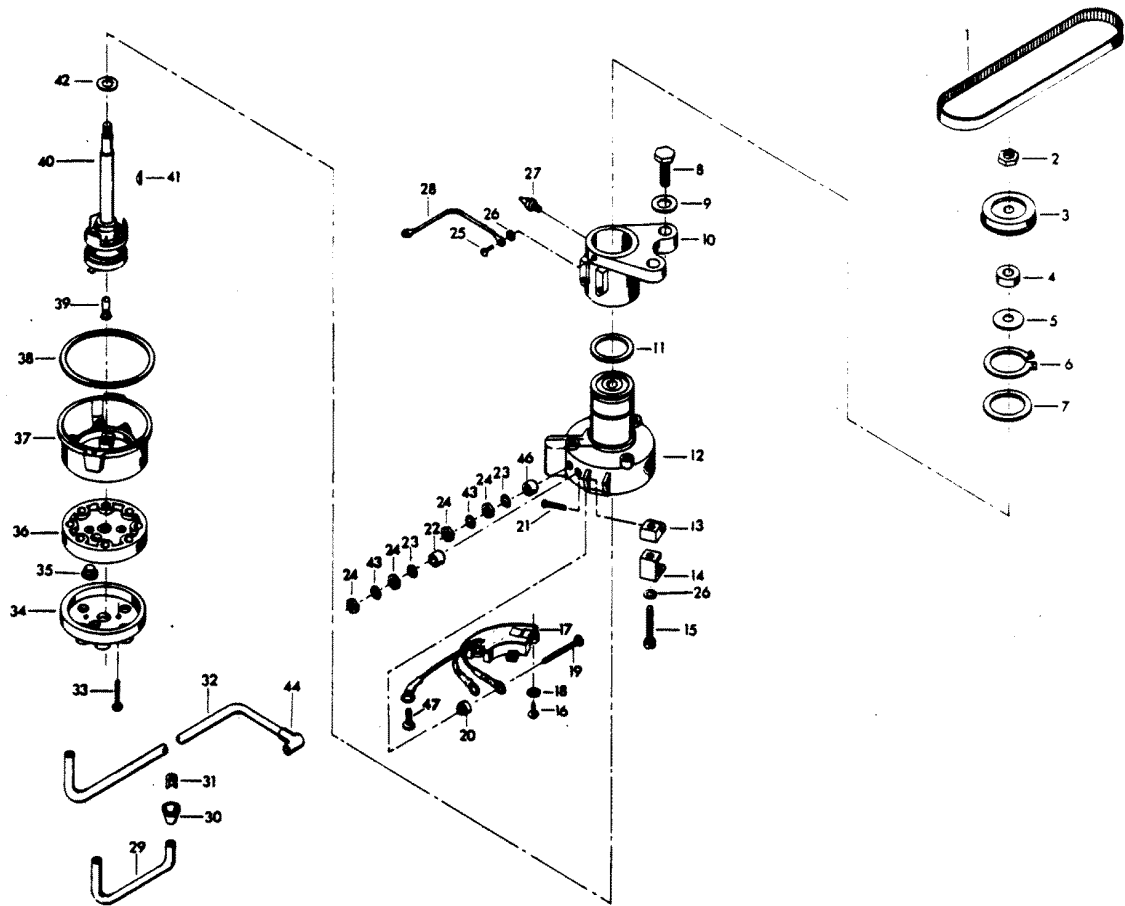


DISTRIBUTOR

REF. NO.	PART NO.	SYM.	QTY.	DESCRIPTION
1	F85311		1	DISTRIBUTOR BELT
2	F7013		1	STOP NUT
3	817786A1		1	DISTRIBUTOR PULLEY
4	F14025		1	SPACER
5	F14028		1	THRUST WASHER
6	F85173		1	RETAINING RING
7	F14029		1	THRUST WASHER
8	F1612		2	HEX CAP SCREW, 3/8 - 16 X 1 1/4
9	F1778		2	PLAIN WASHER
10	FA321574		1	DISTRIBUTOR BRACKET
11	F1759		2	SHIM, DISTRIBUTOR (QTY. AS REQUIRED)
12	F14042		1	DISTRIBUTOR HOUSING W/BEARINGS
13	F14036		2	SWIVEL
14	F14037		2	CAP CLIPS
15	F14038		2	CAP CLIP SCREWS
16	F14045		2	SCREW
17	FA14048-2		1	PREAMPLIFIER
18	F8056		2	LOCKWASHER
19	F14046		2	TERMINAL SCREW
20	F14047		2	TERMINAL INSULATOR (INSIDE)
21	F14015		2	CAP CLIP RIVET
22	F14049		1	TERMINAL INSULATOR (OUTSIDE)
23	F14041		2	EXTERNAL TOOTH LOCKWASHER
24	F1647		4	HEX NUT, 8 - 32
25	F1760		2	PAN HD SCREW - 10 - 24 X 3/8
26	F1975		2	SPRING LOCKWASHER
27	F213274		1	GREASE FITTING
28	F85664		1	DISTRIBUTOR GROUND
29	84-817775A1		1	COIL WIRE W/TERMINAL CLIP - U.S.A.
30	F203276		1	BOOT
31	F203673		1	TERMINAL CLIP
32	F321841-3		3	LEAD WIRE
33	F14007		2	CAP SCREW
34	F14011-1		1	CAP COVER
35	F14040		2	VENT
36	F14020-1		1	CAP SEAL
37	F14006-2		1	CAP BASE
38	F14030		1	CAP GASKET
39	F14012-1		1	BRUSH
40	F14043		1	DISTRIBUTOR SHAFT
41	F1692		1	WOODRUFF KEY
42	F14024		1	SPACER
43	F8056		2	LOCKWASHER

CONTINUED ON NEXT PAGE ➡

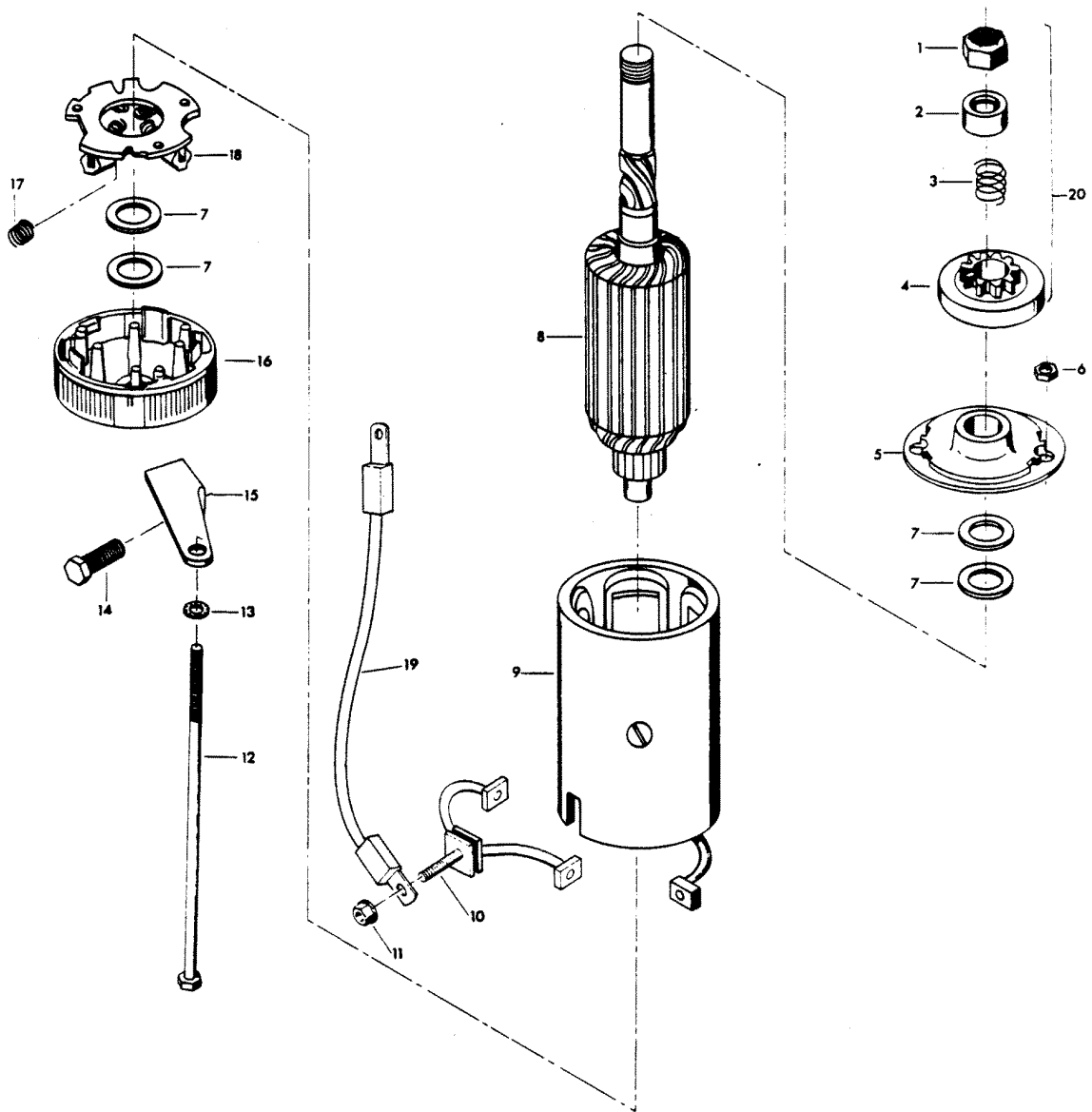
DISTRIBUTOR



DISTRIBUTOR

REF. NO.	PART NO.	SYM.	QTY.	DESCRIPTION
44	FK750-3		3	SPARKIE
46	F14017		1	TERMINAL INSULATOR (OUTSIDE)
47	F14056		1	SCREW
-	817822A1		1	DISTRIBUTOR
-	481373-1		1	DECAL, "ELECTRONIC" (NOT SHOWN)

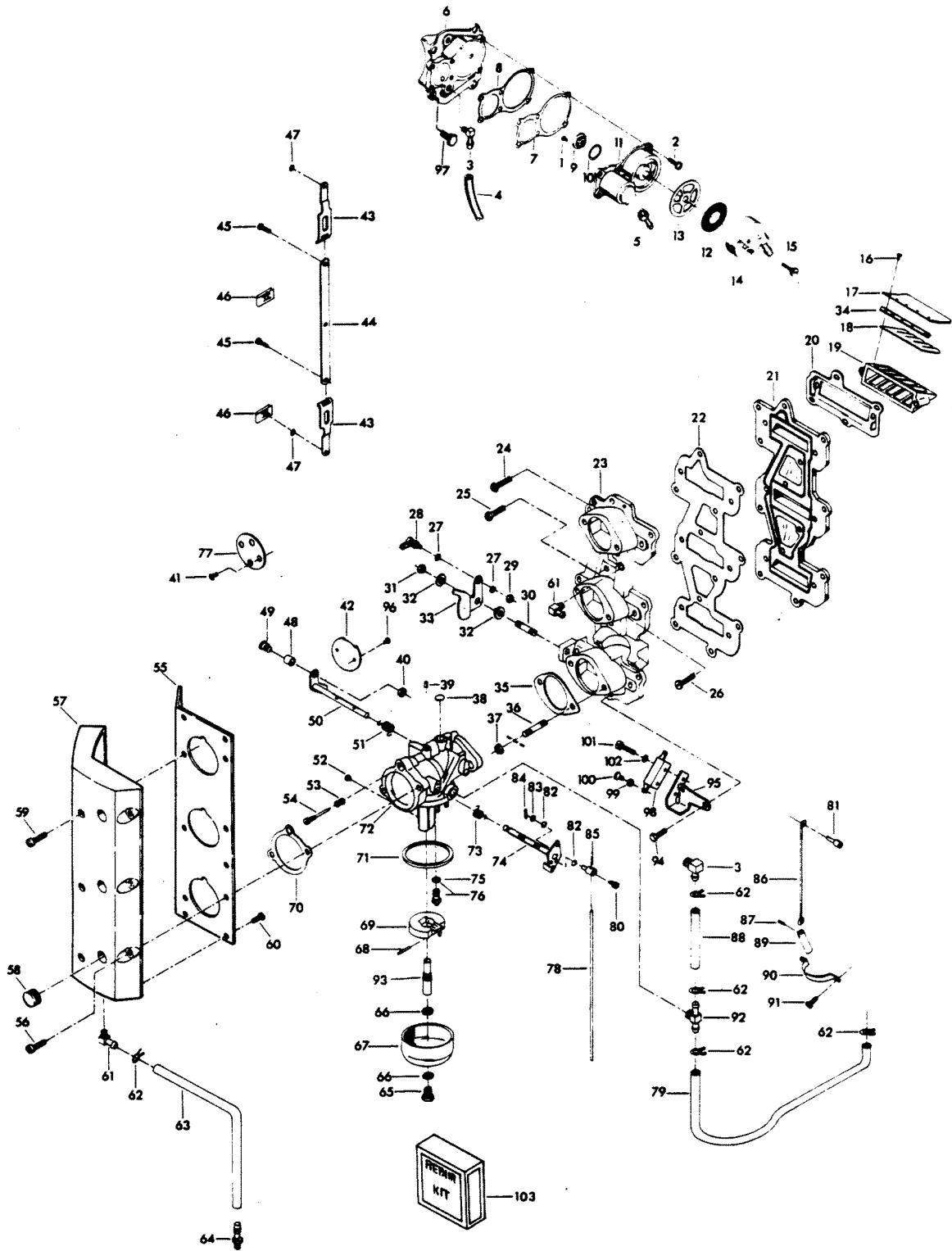
STARTER



STARTER

REF. NO.	PART NO.	SYM.	QTY.	DESCRIPTION
1	F15111		1	NUT, STOP RETAINING
2	F15112		1	STOP, PINION
3	F15080		1	SPRING
4	F15110		1	CLUTCH ASSEMBLY
5	F15167		1	HEAD ASSEMBLY DRIVE END
6	F1641		2	LOCK NUT, 1/4 - 28
7	F15126		1	THRUST WASHER PACKAGE
8	F15099		1	ARMATURE
9	15169		1	FRAME AND FIELD ASSEMBLY
10	F15165		1	BRUSH TERMINAL SET
11	FA15072		1	HEX LOCK NUT, 1/4 - 20
12	F15168		1	THRU BOLT PACKAGE
13	F8028		2	PLAIN WASHER
14	F1502		1	HEX HD SCREW, 1/4 - 20 X 5/8
15	F511675		1	STARTER BRACKET, LOWER
16	F15125		1	HEAD ASSEMBLY, COMMUTATOR END
17	F15034		1	SPRING SET
18	F15057		1	BRUSH PLATE AND HOLDER
19	F85908		1	STARTER LEAD WIRE
20	F15100		1	BENDIX
-	FS480955		1	STARTER COMPLETE

CARBURETOR

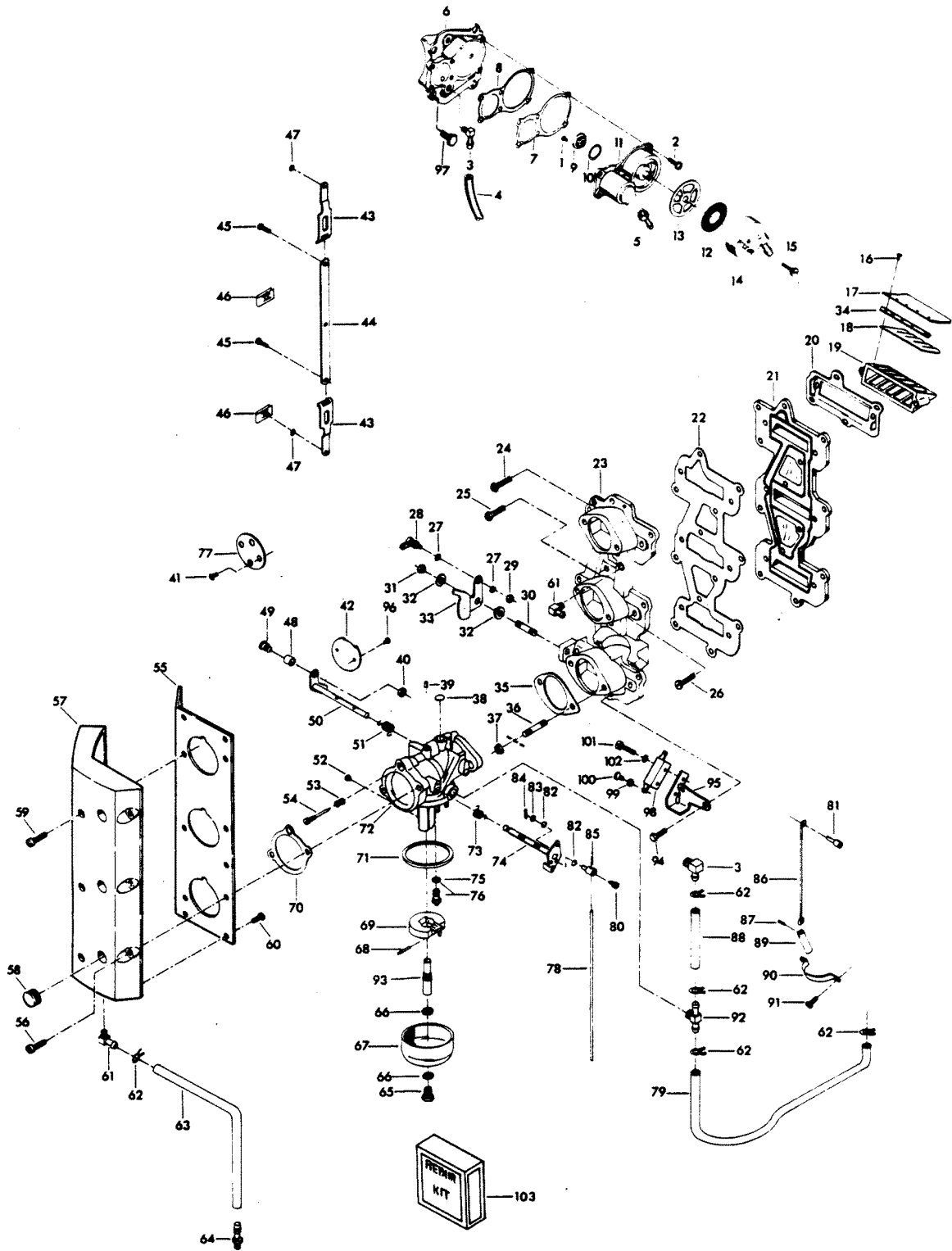


CARBURETOR

REF. NO.	PART NO.	SYM.	QTY.	DESCRIPTION
1	F1860		2	SLOTTED BINDING HD SCREW, 6 - 32 X 1/4
2	F1108		6	FILL HD SCREW W/LOCKWASHER, 1/4 - 20 X 3/4
3	F84314-2		2	ELBOW
4	F89758		1	FUEL PUMP AIR HOSE, TOP
5	F438801		1	FITTING
6	FA439746		1	FUEL PUMP COVER
7	F438747		1	FUEL PUMP DIAPHRAGM
8	F438760		1	FUEL PUMP GASKET
9	F177330		3	FUEL PUMP VALVE
10	F84792		1	GASKET, FUEL PUMP VALVE
11	FA438431		1	FUEL PUMP BODY W/VALVES
12	F438653		1	FUEL SEDIMENT BOWL SCREEN
13	F438617		1	FUEL SEDIMENT BOWL GASKET
14	F438500		1	FUEL SEDIMENT BOWL
15	F438165		1	SCREW, FUEL PUMP BOWL
16	F1755		30	RD HD SCREW W/LOCKWASHER 6 - 32 X 5/16
17	F85161-1		6	REED STOP
18	F530160		6	REED (5 PETAL)
19	F3A523158		3	REED PLATE W/REEDS, REED STOP AND SCREW
20	F85168		3	GASKET REED PLATE ADAPTER
21	F85162		1	REED PLATE ADAPTER
22	F85159		1	GASKET, INTAKE MANIFOLD
23	817959A3		1	INTAKE MANIFOLD
24	F2008		7	HEX HD SCREW, 1/4 - 20 X 7/8
25	F1916		2	HEX HD SCREW, 1/4 - 20 X 1 1/8
26	F1773		6	HEX HD SCREW, 1/4 - 20 X 1 1/2
27	F8058		2	INTERNAL TOOTH LOCKWASHER
28	817747--1		1	BALL JOINT W/STUD
29	F1513		1	HEX NUT, 10 - 32
30	F433209-1		1	STUD
31	F1910		1	STOP NUT, 1/4 - 20
32	F269319		2	BEARING
33	F85192-1		1	THROTTLE CAM
34	F523451		6	SPACER, REED STOP
35	F85906		3	CARBURETOR GASKET
36	F40209		6	CARBURETOR STUD
37	F1515		6	HEX NUT, 5/16 - 18
38	FO4326		1	BODY CHANNEL WELCH PLUG
39	FO10588		1	BODY CHANNEL CUP PLUG
40	F1997		1	STOP NUT, 8 - 32
41	FO8942		2	SHUTTER SCREW W/LOCKWASHER
42	FO16851		1	THROTTLE SHUTTER
43	FA85193		2	TIE BAR END W/SWIVEL

CONTINUED ON NEXT PAGE ➡

CARBURETOR

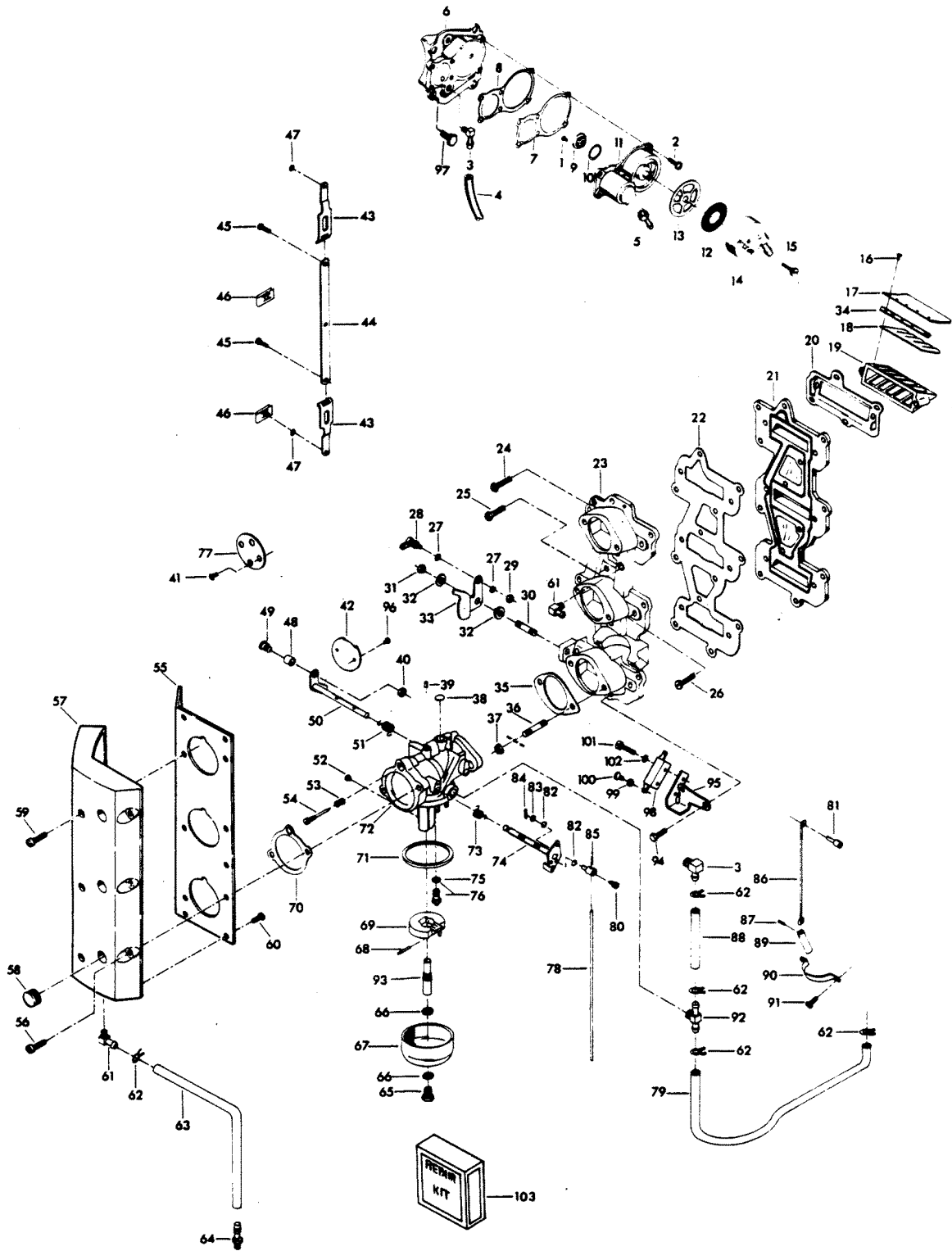


CARBURETOR

REF. NO.	PART NO.	SYM.	QTY.	DESCRIPTION
44	FA85511		1	THROTTLE TIE BAR W/SWIVEL
45	F1064		2	FILL HD SCREWS, S.S., 8 - 32 X 3/8
46	F1693		2	TIE BAR RETAINER
47	F90807		3	RETAINING RING
48	F92759		1	THROTTLE ROLLER
49	F333316		1	THROTTLE ROLLER SHAFT
50	FO15230		1	THROTTLE SHAFT AND LEVER
51	FO16008		1	THROTTLE SHAFT RETURN SPRING
52	FO15026		1	MAIN FUEL JET (.072) STD. SEA LEVEL - 1500 FT.
-	FO13430		-	MAIN FUEL JET (.070) OPT. 1500 FT - 3000 FT.
-	FO13967		-	MAIN FUEL JET (.068) OPT. 3000 FT. - 4500 FT.
-	FO14188		-	MAIN FUEL JET (.066) OPT. 4500 FT. - 6000 FT.
-	FO14108		-	MAIN FUEL JET (.064) OPT. 6000 FT. & UP.
53	FO11103		1	IDLE SCREW SPRING
54	FO13946		1	IDLE SCREW
55	F481567		1	CARBURETOR INTAKE ADAPTER
56	F1504		3	FILL HD SCREW, 1/4 - 20 X 1 1/4
57	F481860-1		1	CARBURETOR, INTAKE
58	F53504		3	GROMMET
59	F1072		3	FILL HD SCREW, 1/4 - 20 X 1 3/4
60	F1760		6	PAN HD SCREW, 10 - 24 X 3/8
61	22-818103--1		2	ELBOW
62	F97772		6	HOSE CLAMP
63	F63754		1	HOSE INTAKE DRAIN
64	22-817789A1		1	DRAIN FITTING W/METERING CUP
65	FO13945		1	FUEL BOWL RETAINING SCREW
66	FO2510		2	GASKET, FUEL BOWL RETAINING SCREW
67	FO13552		1	FUEL BOWL
68	FO13944		1	FLOAT LEVER PIN
69	FO13554		1	FLOAT
70	F481836		3	INTAKE GASKET
71	FO15623		1	FUEL BOWL GASKET
72	F481061-2		3	CARBURETOR COMPLETE (WB-21C)
73	FO13947		1	CHOKE SHAFT RETURN SPRING
74	FO16850		1	CHOKE SHAFT AND LEVER
75	FO10165		1	INLET SEAT GASKET
76	FO10790		1	INLET NEEDLE, SEAT AND GASKET
77	FO13555		1	CHOKE SHUTTER
78	F85509-1		1	CHOKE LINK
79	F438754		1	FUEL LINE
80	F1059		3	FILL HD SCREWS, S.S., 6 - 32 X 1/4
81	F85033		1	CHOKE ROD SWIVEL
82	F184579		6	SEAL, CHOKE ARM SWIVEL

CONTINUED ON NEXT PAGE ➡

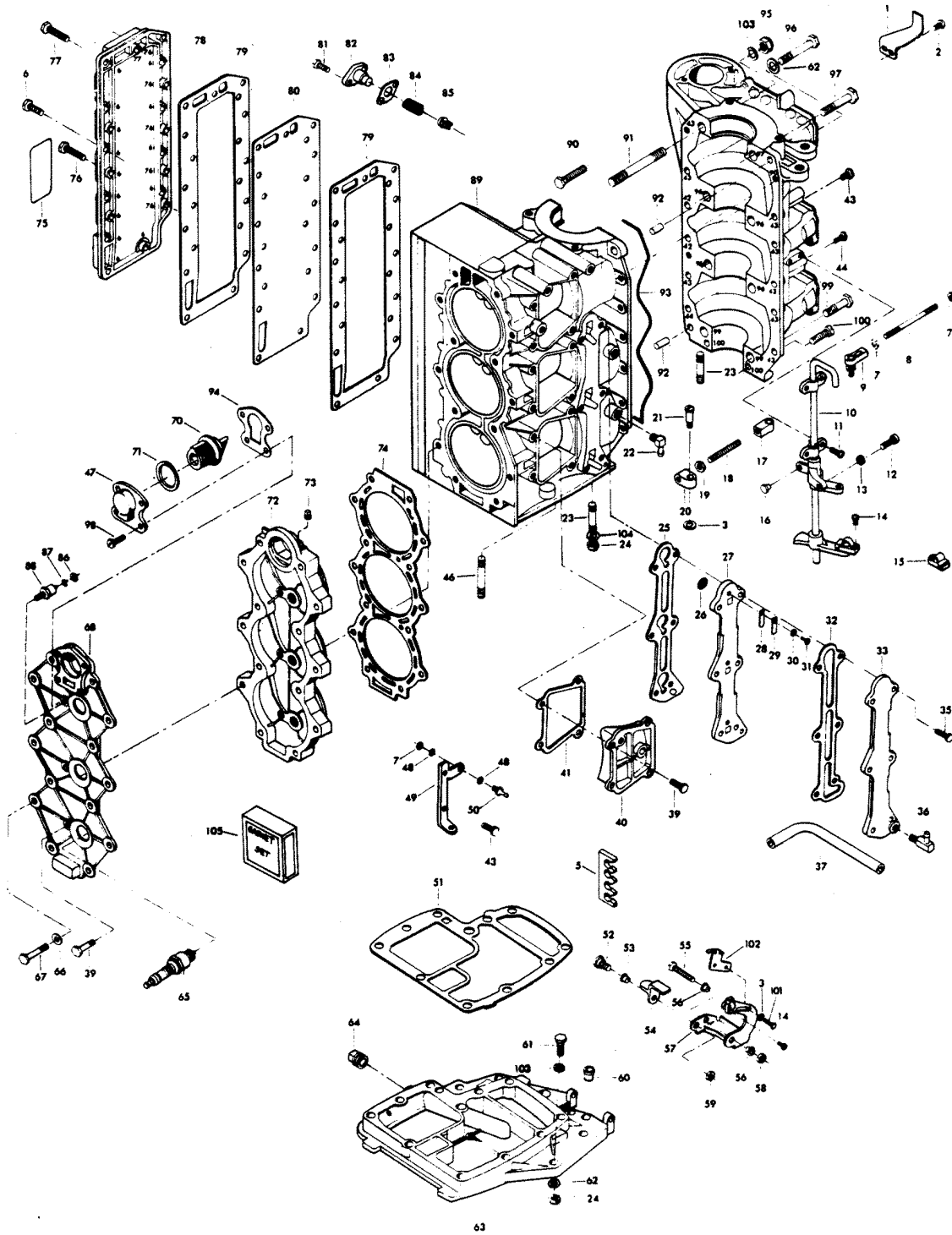
CARBURETOR



CARBURETOR

REF. NO.	PART NO.	SYM.	QTY.	DESCRIPTION
83	F8088		3	PLAIN WASHER
84	F1014		3	COTTER PIN
85	F184033-1		2	CHOKE ARM SWIVEL
86	F85925		1	CHOKE ROD
87	F2033		1	GROOVE PIN
88	F85253-1		2	FUEL LINE
89	F391926-1		1	CHOKE SOLENOID PLUNGER
90	F85317-1		1	CLAMP
91	F1236		2	HEX HD SCREW, 1/4 - 20 X 1/2
92	F85314-1		2	FUEL FITTING
93	FO15217		1	MAIN NOZZLE
94	F1953		3	HEX HD SCREW, 1/4 - 20 X 1
95	F480551-1		1	BRACKET INTERLOCK SWITCH
96	FO8942		2	THROTTLE SHUTTER SCREW AND LOCKWASHER
97	F1502		4	HEX CAP SCREW, 1/4 - 20 X 5/8
98	F84449		1	INTERLOCK SWITCH
99	F1704		2	INTERNAL TOOTH LOCKWASHER
100	F1645		2	RD HD SCREW, 6 - 32 X 1/4
101	F2016		2	FILL HD SCREW, 6 - 32 X 7/8
102	F8088		2	PLAIN WASHER
103	F10102		1	REPAIR PARTS KIT INCLUDES ALL ITEMS MARKED WITH AN ASTERISK (*)
-	F10000		1	GASKET SET (NOT SHOWN)
-	F8026		1	PLAIN WASHER (UNDER 2,D FROM BOTTOM CENTER MANIFOLD TO CRACKCASE COVER SCREW). (NOT SHOWN)

POWERHEAD

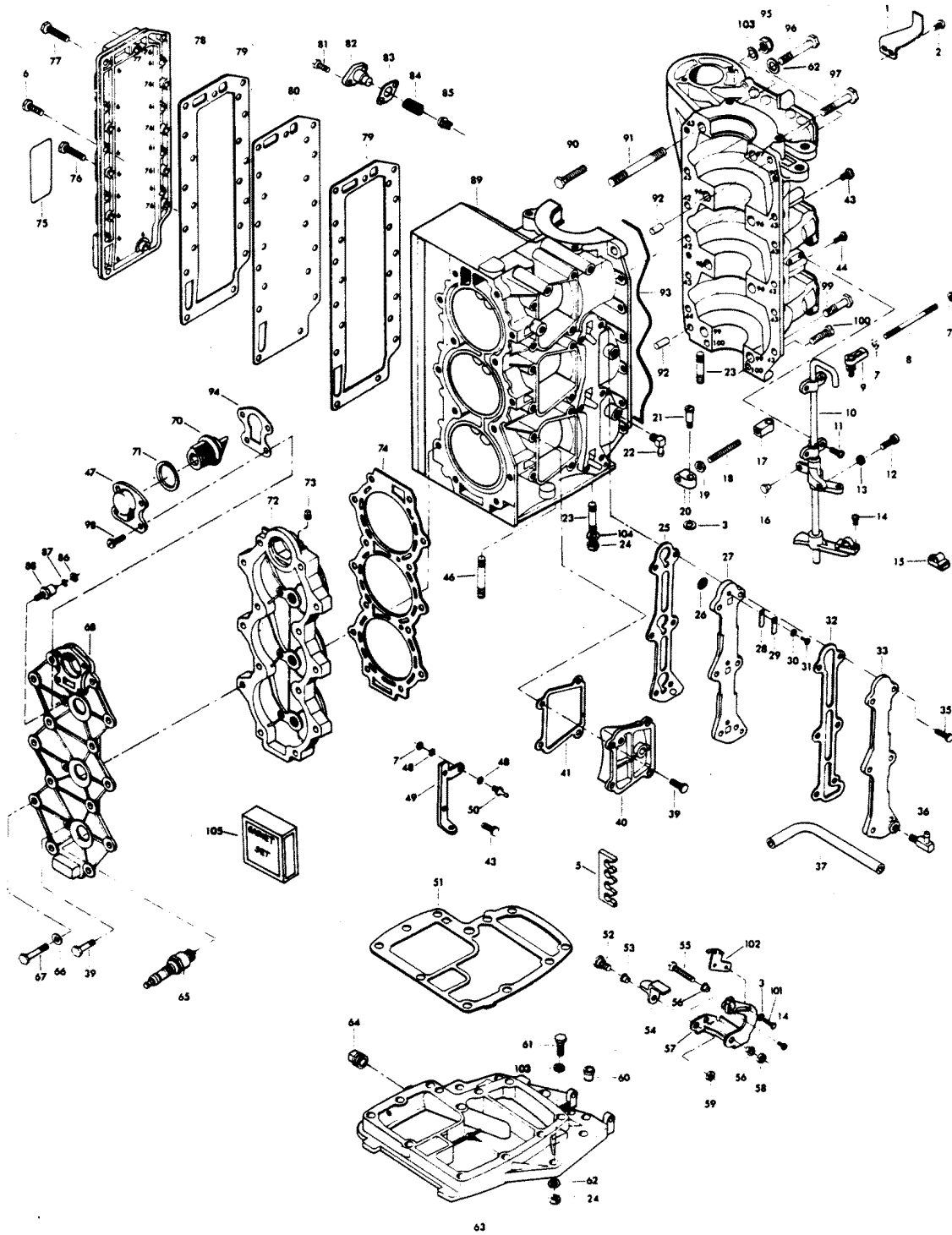


POWERHEAD

REF. NO.	PART NO.	SYM.	QTY.	DESCRIPTION
1	FA480894		1	TIMING POINTER W/ITEM 56 FROM PAGE 4
2	F1760		2	PAN HD SCREW, 10 - 24 X 3/8
3	F2042		3	PLAIN WASHER
5	F523834		1	CLIP, SPARK PLUG WIRE
6	F1203		14	HEX BOLT, 1/4 - 20 X 7/8
7	F1513		4	HEX NUT, 10 - 32
8	F85502		1	THROTTLE LINK
9	817747--1		1	BALL JOINT W/STUD
10	FA85838-5		1	TOWERSHAFT W/BEARINGS, SWIVEL, ARMS AND SCREW
11	F1475		4	FILL HD SCREW, 10 - 24 X 1/2
12	F1504		1	FILL HD SCREW, 1/4 - 20 X 1 1/4
13	F1341		1	HEX NUT, 1/4 - 20
14	F1556		2	FILL HD SCREW W/LOCKWASHER, 10 - 24 X 3/8
15	FK405020		2	SWIVEL W/PIVOT SCREW AND NUT
16	F1727		1	PLASTIC RIVET
17	F85036		1	TOWERSHAFT CONTROL ROD END
18	F85445		1	DISTRIBUTOR CONTROL ROD
19	F2015		1	HEX NUT, 1/4 - 28
20	F85035		1	DISTRIBUTOR CONTROL ROD END
21	F85026		1	SWIVEL
22	F84314-2		1	ELBOW
23	F85859		4	STUD, FORWARD
24	F7004		10	STOP NUT, 3/18 - 16
25	F85748-2		1	GASKET, CYLINDER DRAIN REED PLATE
26	F93811		3	SCREEN
27	F2A404757		1	CYLINDER DRAIN REED PLATE W/REEDS, STOPS, METERING CUP AND SCREWS ORIGINAL FORCE P/N A404757-1
28	F18160-2		3	REED
29	F93920		3	REED STOP
30	F8003		3	PLAIN WASHER
31	F1286		3	PAN HD SCREW, 4 - 40 X 3/16
32	F85472-2		1	GASKET, CYLINDER DRAIN COVER
33	817787A1		1	CYLINDER DRAIN COVER
35	F1187		6	HEX HD SCREW, 1/4 - 20 X 1
36	F404801		1	FITTING
37	F433253		1	HOSE
39	F1502		8	HEX HD SCREW, 1/4 - 20 X 5/8
40	FA411222		2	TRANSFER PORT COVER W/PLUG
41	F40223		3	GASKET, TRANSFER PORT COVER
42	F1999		2	HEX CAP SCREW, 1/4 - 20 X 7/8
43	F1238		10	HEX HD SCREW, 1/4 - 20 X 3/4
44	F1199		1	HEX CAP SCREW, 1/4 - 20 X 1
46	F85211		6	STUD, REAR

CONTINUED ON NEXT PAGE ➡

POWERHEAD

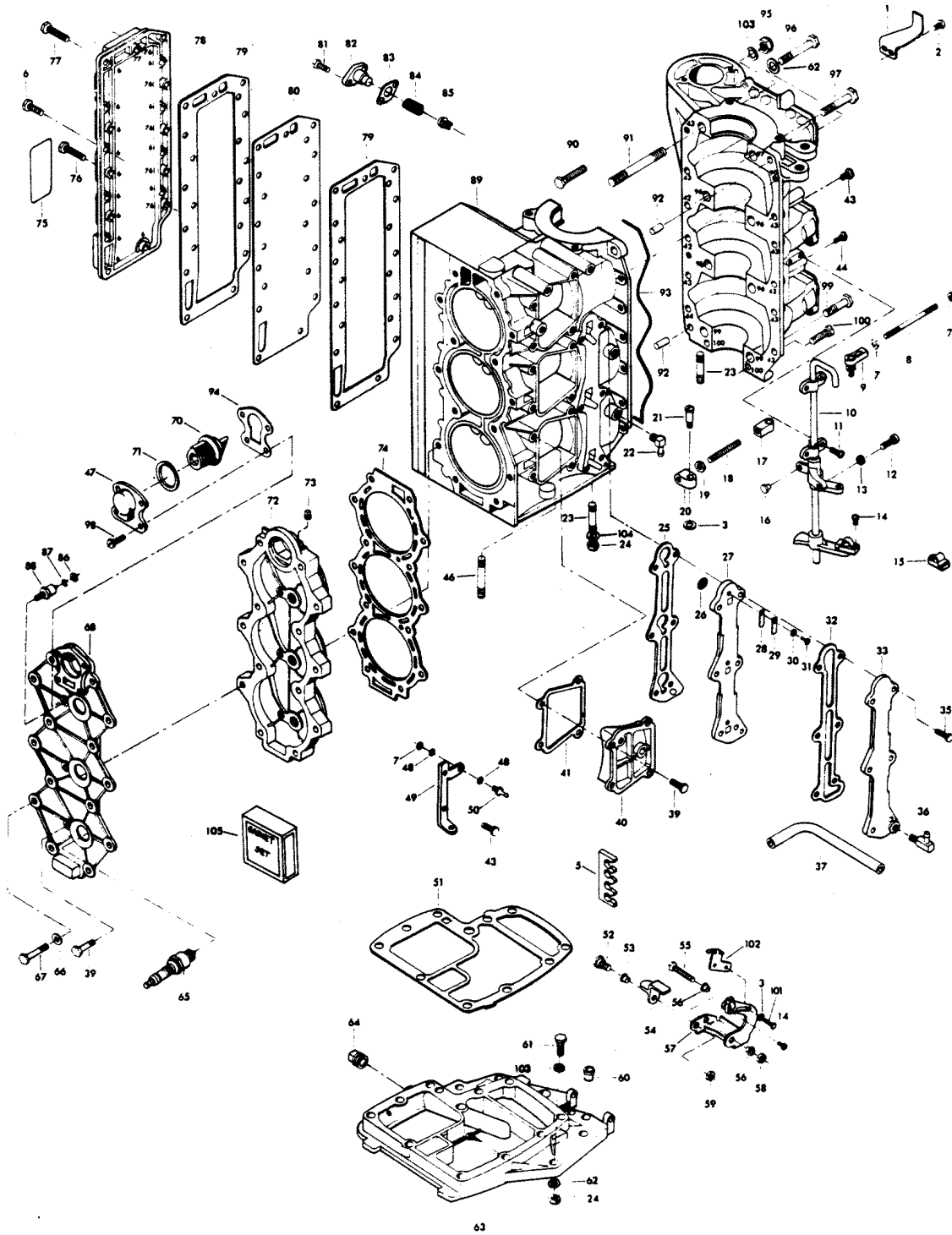


POWERHEAD

REF. NO.	PART NO.	SYM.	QTY.	DESCRIPTION
47	F476066-1		1	COVER, THERMOSTAT
48	F8058		4	INTERNAL TOOTH LOCKWASHER
49	85872-1		1	BRACKET
50	F98273		2	ROD END CONNECTOR STUD
51	F85279-2		1	CYLINDER EXHAUST GASKET, UPPER
52	F369887		1	SHOULDER SCREW
53	F369610		1	BEARING
54	F369977-1		1	INTERLOCK ARM
55	F1885		1	HEX BOLT, 5/16 - 18 X 4 1/4
56	F85610		2	BEARING
57	FA480876		1	GEAR SHIFT ARM W/SWIVEL, INTERLOCK AND BEARINGS
58	F2108		1	STOP NUT, 5/16 - 18
59	F1832		1	STOP NUT, 1/4 - 20
60	F40689-1		1	BEARING, TOWERSHAFT
61	F1869		6	HEX BOLT, 3/8 - 16 X 1 1/4
62	F8095		14	PLAIN WASHER
63	817788A3		1	SPACER PLATE W/PLUGS
64	F2090		1	PLUG
65	33-97180		3	SPARK PLUG (CHAMPION L-20-V) U.S.A.
66	F1987		14	PLAIN WASHER
67	F1883		14	HEX BOLT, 5/16 - 18 X 2 3/8
68	F499995		1	CYLINDER HEAD COVER
70	F528068		1	THERMOSTAT
71	F84504		1	GROMMET
72	F480518		1	CYLINDER HEAD
73	F19109		1	PLUG
74	F369529-1		1	CYLINDER HEAD GASKET
75	F438398		1	DECAL, WIRING - U.S.A.
76	F1709		5	HEX HD SCREW, 1/4 - 20 X 1 1/8
77	F1849		1	HEX HD SCREW, 1/4 - 20 X 1 3/8
78	F85152-4		1	EXHAUST PORT COVER
79	F85154-1		2	GASKET, EXHAUST PORT PLATE
80	F85151-1		1	EXHAUST PORT PLATE
81	F1950		2	HEX HD SCREW, 10 - 24 X 5/8
82	F438066		1	BY-PASS VALVE COVER
83	F85762		1	GASKET, BY-PASS VALVE
84	F404268		1	SPRING, BY-PASS VALVE
85	F85916-1		1	BY-PASS VALVE
86	F1647		1	HEX NUT, 10 - 32
87	F8056		1	SPRING LOCKWASHER
88	87-817778A1		1	THERMOSWITCH
89	800-817823A7		1	CYLINDER W/CRANKCASE COVER, PARTING LINE SEAL, SCREWS & DOWEL PINS ORIGINAL FORCE P/N A481010-4

CONTINUED ON NEXT PAGE ➡

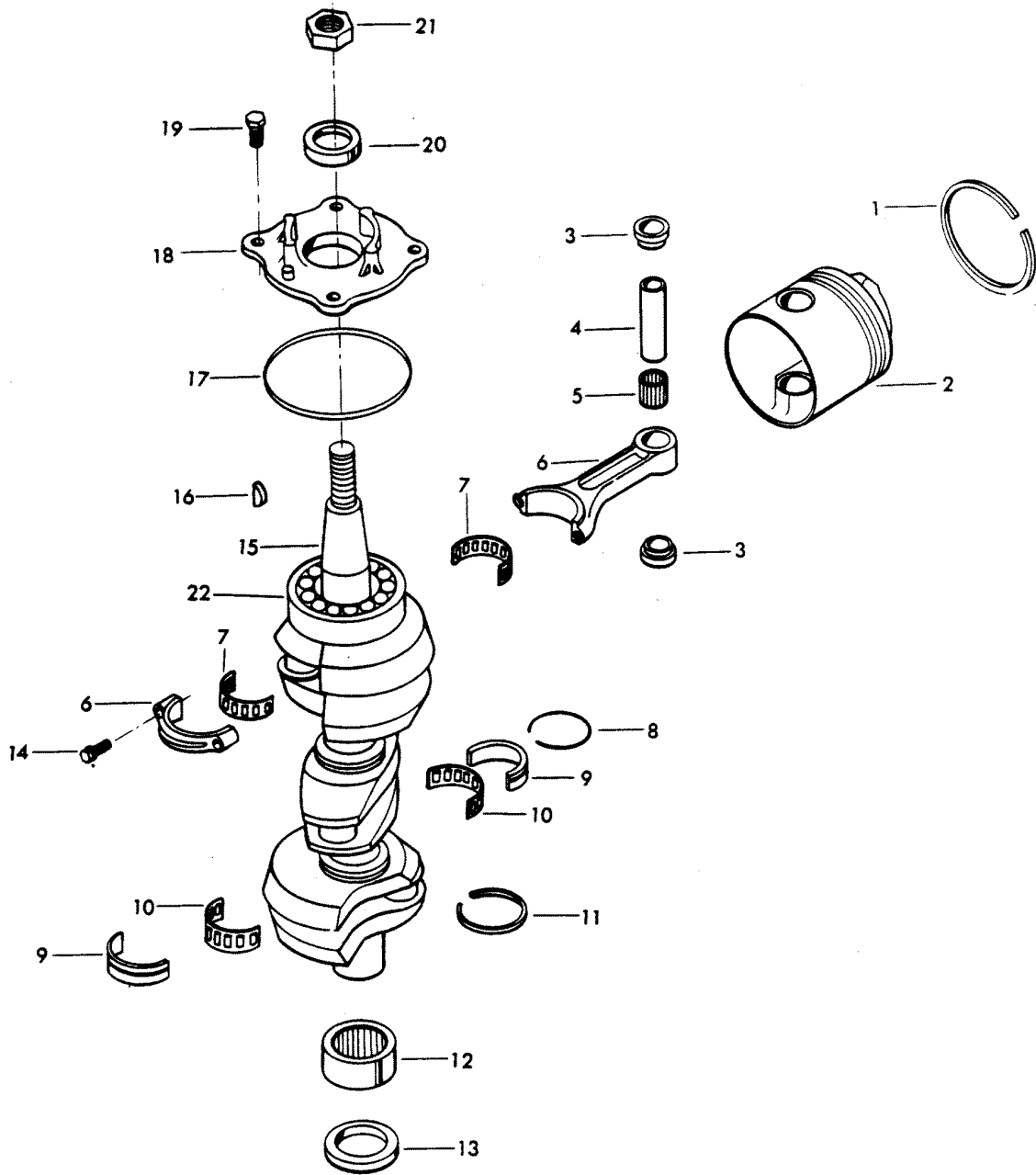
POWERHEAD



POWERHEAD

REF. NO.	PART NO.	SYM.	QTY.	DESCRIPTION
-	800-817901A9		1	SHORT BLOCK (NOT SHOWN) INCLUDES ALL ITEMS MARKED WITH AN ASTERISK (*). ALSO REFER TO CRANKSHAFT AND PISTON PAGE. ORIGINAL FORCE P/N C481010-4
90	F1864		1	HEX HD SCREW, 1/4 - 20 X 3/4
91	F85210		1	STUD
92	F8563		2	DOWEL PIN
93	F85122		1	PARTING LINE SEAL
94	F476067		1	GASKET, THERMOSTAT COVER
95	F1347		1	HEX NUT, 3/8 - 16
96	F1873		4	HEX BOLT, 3/8 - 16 X 3
97	F1009		1	HEX BOLT, 3/8 - 16 X 2 3/4
98	F1110		4	FILL HD SCREW, 1/4 - 20 X 5/8
99	F1872		2	HEX BOLT, 3/8 - 16 X 1 3/4
100	F1099		2	FILL HD SCREW, 1/4 - 20 X 1 1/4
101	F2089		2	SLOTTED PAN HD MACHINE SCREW, 10 - 24 X 5/16
102	F480107-1		1	CAM, STARTER INTERLOCK
103	F1703		6	SPRING LOCKWASHER
104	F8038		4	PLAIN WASHER
105	FG460-1		1	GASKET SET
-	F40223		3	TRANSFER PORT COVER GASKET
-	F84031		1	WATER PUMP GASKET
-	F84278		1	CRANKSHAFT BRG. SEAL CAGE SEAL
-	F84504		1	THERMOSTAT GROMMET
-	F85122		1	CRANKCASE SEAL
-	F85154-1		2	EXHAUST PORT PLATE GASKET
-	F85159		1	MANIFOLD GASKET
-	F85168		3	CARBURETOR ADAPTER FLANGE GASKET
-	F85279-2		1	CYLINDER, EXHAUST - UPPER GASKET
-	F85472-2		1	CYLINDER DRAIN COVER GASKET
-	F85748-2		1	CYLINDER DRAIN REED PLATE GASKET
-	F85762		1	BY-PASS VALVE GASKET
-	F85836-1		3	INTAKE GASKET
-	F85906		3	CARBURETOR GASKET
-	F316555		1	GEAR HOUSING SEAL
-	F369529-1		1	CYLINDER HEAD GASKET
-	F476067		1	THERMOSTAT COVER GASKET
-	F481836		3	INTAKE GASKET

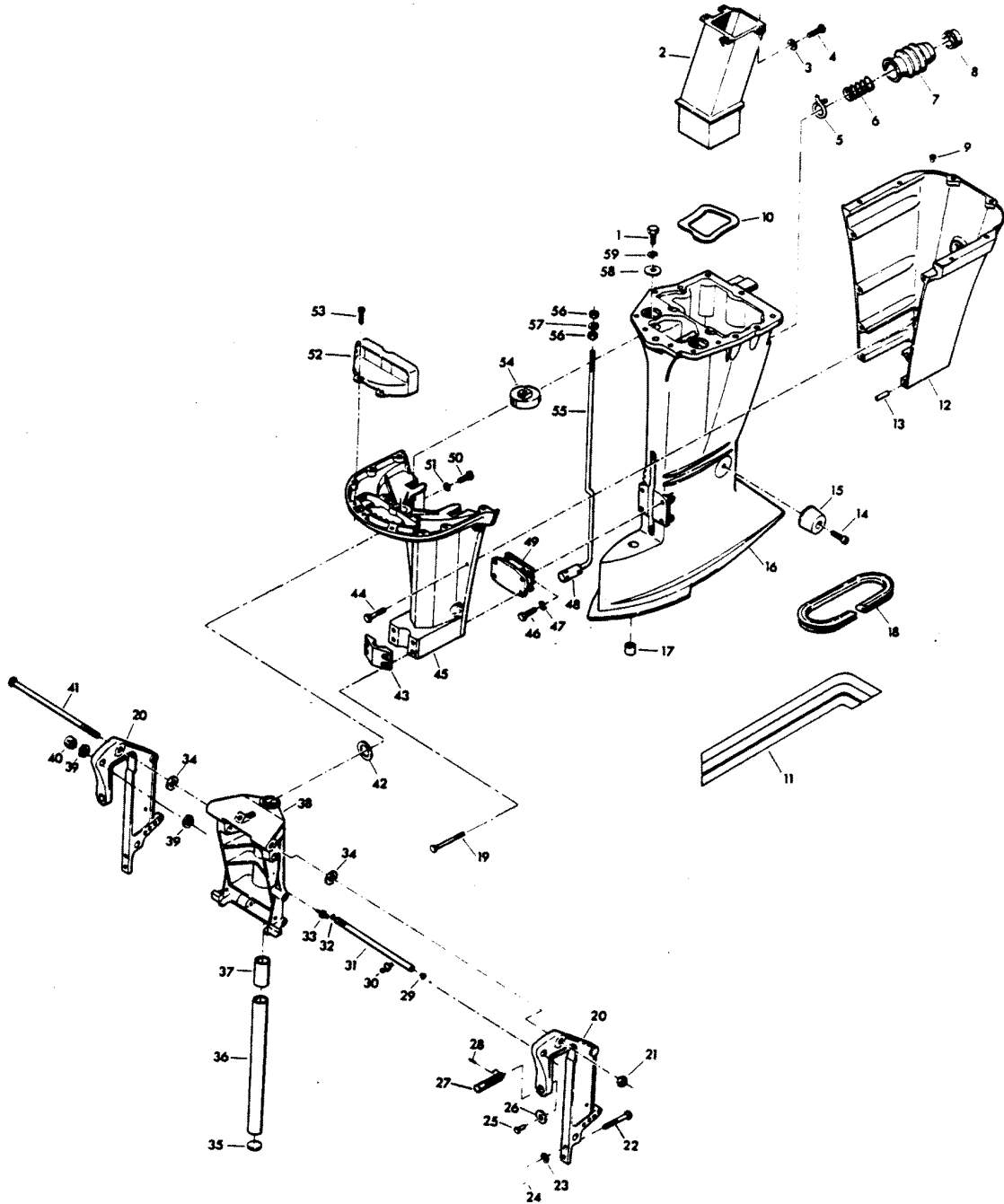
CRANKSHAFT AND PISTON



CRANKSHAFT AND PISTON

REF. NO.	PART NO.	SYM.	QTY.	DESCRIPTION
1	FA335260		3	PISTON RING SET (3 PER SET)
-	FSA335260		3	PISTON RINGS (3 PER SET) .010 OVERSIZE
-	39-818110A1		3	PISTON RINGS (3 PER SET) .030 OVERSIZE
2	700-F372015-3		3	PISTON
-	700-817988A2		3	PISTON .010 OVERSIZE
-	700-818111A2		3	PISTON .030 OVERSIZE
3	F335215		6	SPACER, PISTON PIN (2 PER PISTON)
4	F85017		3	PISTON PIN
5	F335217-1		3	BEARING PISTON PIN (26 PER SET)
6	600-818052A4		3	CONNECTING ROD W/CAP AND SCREWS
7	FK85228-1		3	BEARING CAGE W/ROLLER
8	F85410		2	SNAP RING
9	FA85655-1		2	CRANKSHAFT MAIN BEARING RACE W/SNAP RING
10	F85571		2	BEARING CAGE W/ROLLER
11	F316579		2	SEAL, CRANKCASE
12	FA523014		1	CRANKSHAFT LOWER MAIN BEARING W/SEAL
13	F523146		1	SEAL, CRANKSHAFT LOWER
14	F85634-2		6	CONNECTING ROD SCREW
15	FA85018-2		1	CRANKSHAFT W/BEARING
16	F85498		1	FLYWHEEL KEY
17	F84278		1	SEAL, CRANKSHAFT BEARING CAGE
18	31-817785A2		1	CRANKSHAFT BEARING CAGE W/SEAL
19	F1867		4	HEX CAP SCREW, 3/8 - 16 X 1
20	F84146-2		1	SEAL
21	F1968		1	FLYWHEEL NUT
22	F284659-2		1	CRANKSHAFT THRUST BEARING UPPER
-	F2067		1	PLASTISOL CAP (NOT SHOWN)

MOTOR LEG

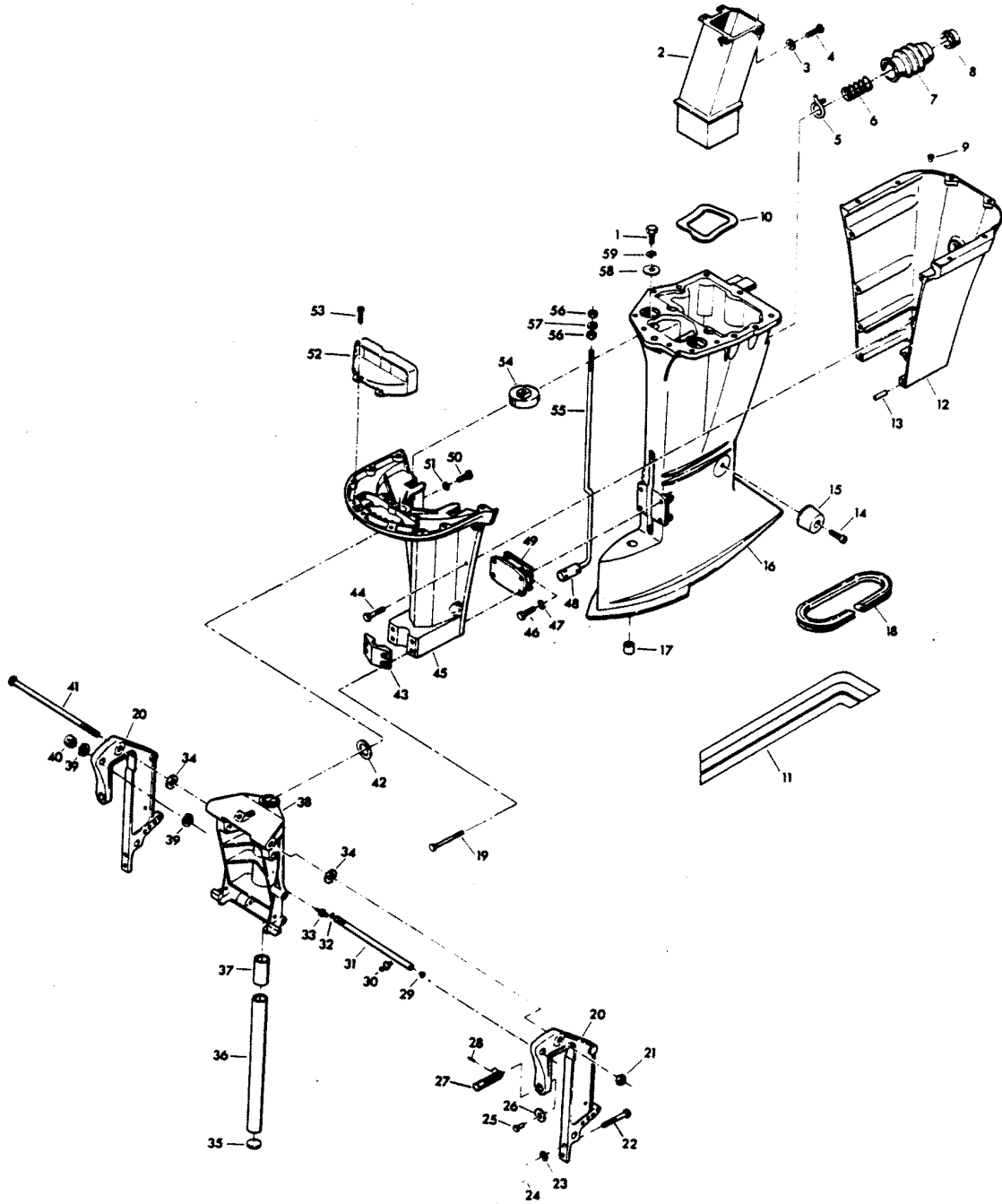


MOTOR LEG

REF. NO.	PART NO.	SYM.	QTY.	DESCRIPTION
1	F1871		2	HEX HD SCREWS 3/8 - 16 X 3/4
2	F85660-1		1	EXHAUST TUBE
3	F8083		4	SPRINK LOCKWASHER
4	F1864		4	HEX SLOT HD. SCREW, 1/4 - 20 X 3/4
5	F85772		1	CLAMP
6	F85380		1	SPRING
7	F85130		1	BOOT, IDLE EXHAUST
8	F85258		1	INSERT
9	F1729		2	PLUG
10	F439736		1	SEAL, EXHAUST TUBE
11	A553392		1	DECAL, LEG (PORT ENGINE)
-	A553391		1	DECAL, LEG (STBD ENGINE)
12	817931A7		1	MOTOR LEG COVER, REAR
13	F1664		2	SPRING PIN
14	F1263		2	HEX SOCKET HD CAP SCREW, 5/16 - 18 X 9/16
15	F438962		2	SHOCK MOUNT SIDE
16	F523133-2		1	MOTOR LEG
17	F338618-1		1	SEAL, GEAR SHIFT ROD
18	F178323		1	SEAL, MOTOR LEG
19	F1696		4	HEX BOLT, 5/16 - 18 X 1 3/4
20	1400-817958A6		2	STERN BRACKET
21	F7012		1	LOCK NUT, 1/2 - 20
22	F1593		2	HEX HD SCREW, 3/8 - 16 X 3
23	F1904		2	PLAIN WASHER
24	F1346		2	HEX NUT, 3/8 - 16
25	F353480		2	STUD
26	F84074		2	CLAMP SCREW FOOT
27	F474073-1		2	CLAMP SCREW
28	F8538		2	SPRING PIN
29	F9052		1	PLUG
30	F523274		1	GREASE FITTING
31	F511125-2		1	TUBE, STEERING SUPPORT
32	F316599		1	SEAL, STEERING SUPPORT TUBE
33	F213274		3	GREASE FITTING
34	F84286-1		4	FRICTION WASHER
35	F1528		1	WELCH PLUG
36	FA85019		1	KINGPIN W/PLUG
37	F438169		2	BEARING
38	817783A5		1	SWIVEL BRACKET W/BEARING AND GREASE FITTINGS
39	F523280		2	NUT, STEERING SUPPORT TUBE
40	F9018		1	CAP
41	F85037-1		1	STERN BRACKET PIVOT BOLT
42	F84011		1	WASHER

CONTINUED ON NEXT PAGE ➡

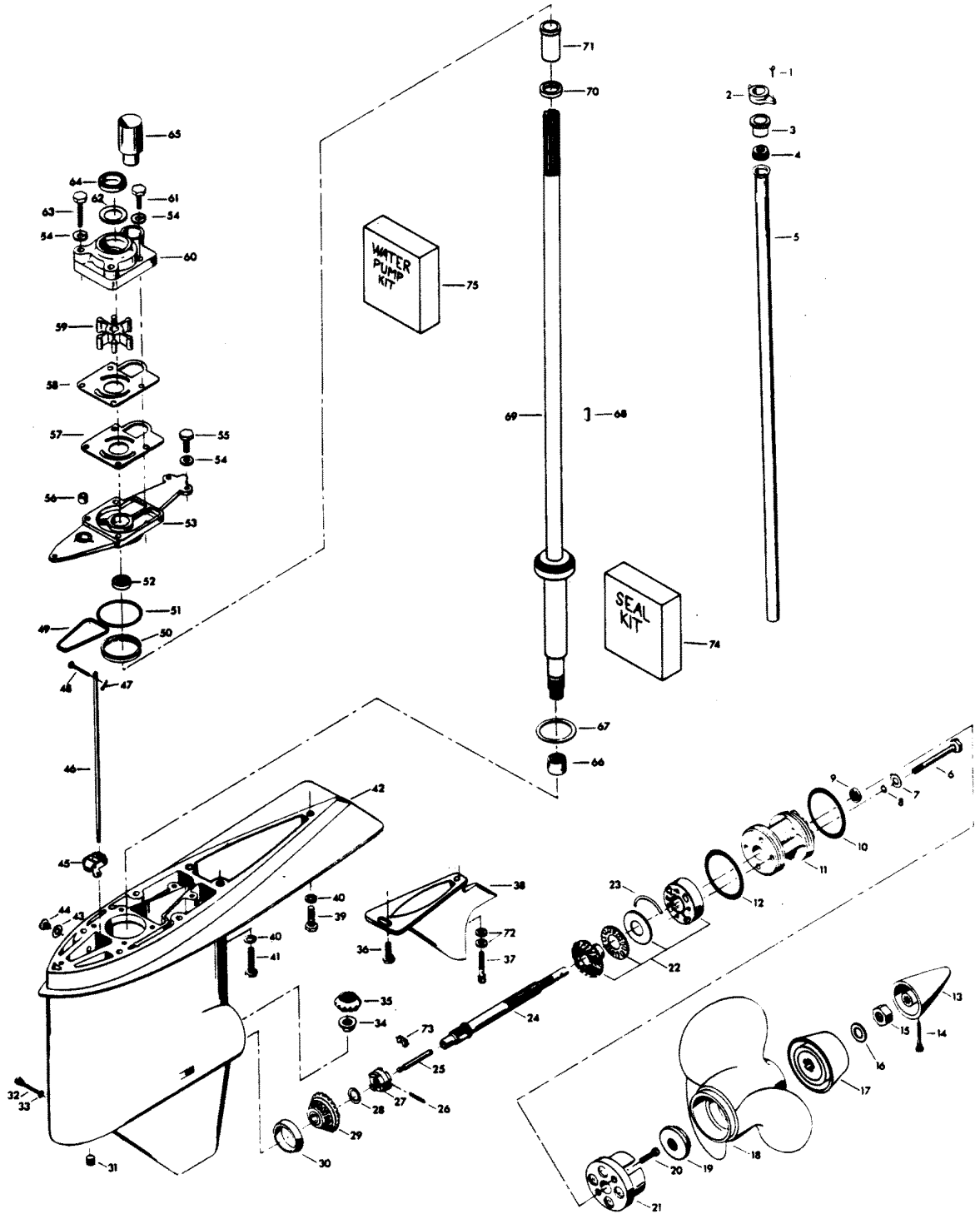
MOTOR LEG



MOTOR LEG

REF. NO.	PART NO.	SYM.	QTY.	DESCRIPTION
43	F85606		1	KINGPIN CAP
44	F2030		6	HEX HD SCREW, 1/4 - 20 X 1 1/4
45	A85135-3		1	LEG COVER, FRONT
46	F1822		4	HEX BOLT, 5/16 - 18 X 7/8
47	F8096		4	SPRING LOCKWASHER
48	F85704		1	COUPLER, GEARSHIFT ROD UPPER
49	F438346		1	SHOCK MOUNT, LOWER
50	F1871		2	HEX HD SCREW, 3/8 - 16 X 3/4
51	F1703		2	SPRING LOCKWASHER
52	F85779-1		1	BAFFLE, AIR INTAKE
53	F1912		4	HEX HD SCREW, 10 - 24 X 1/2
54	F85965		2	SHOCK MOUNT, UPPER
55	F85615		1	GEAR SHIFT ROD UPPER
56	F2108		2	LOCK NUT, 5/16 - 18
57	F1987		1	PLAIN WASHER
58	FA85355-1		2	WASHER, SHOCK MOUNT UPPER W/ITEM 59
59	F8039		2	PLAIN WASHER

GEAR HOUSING

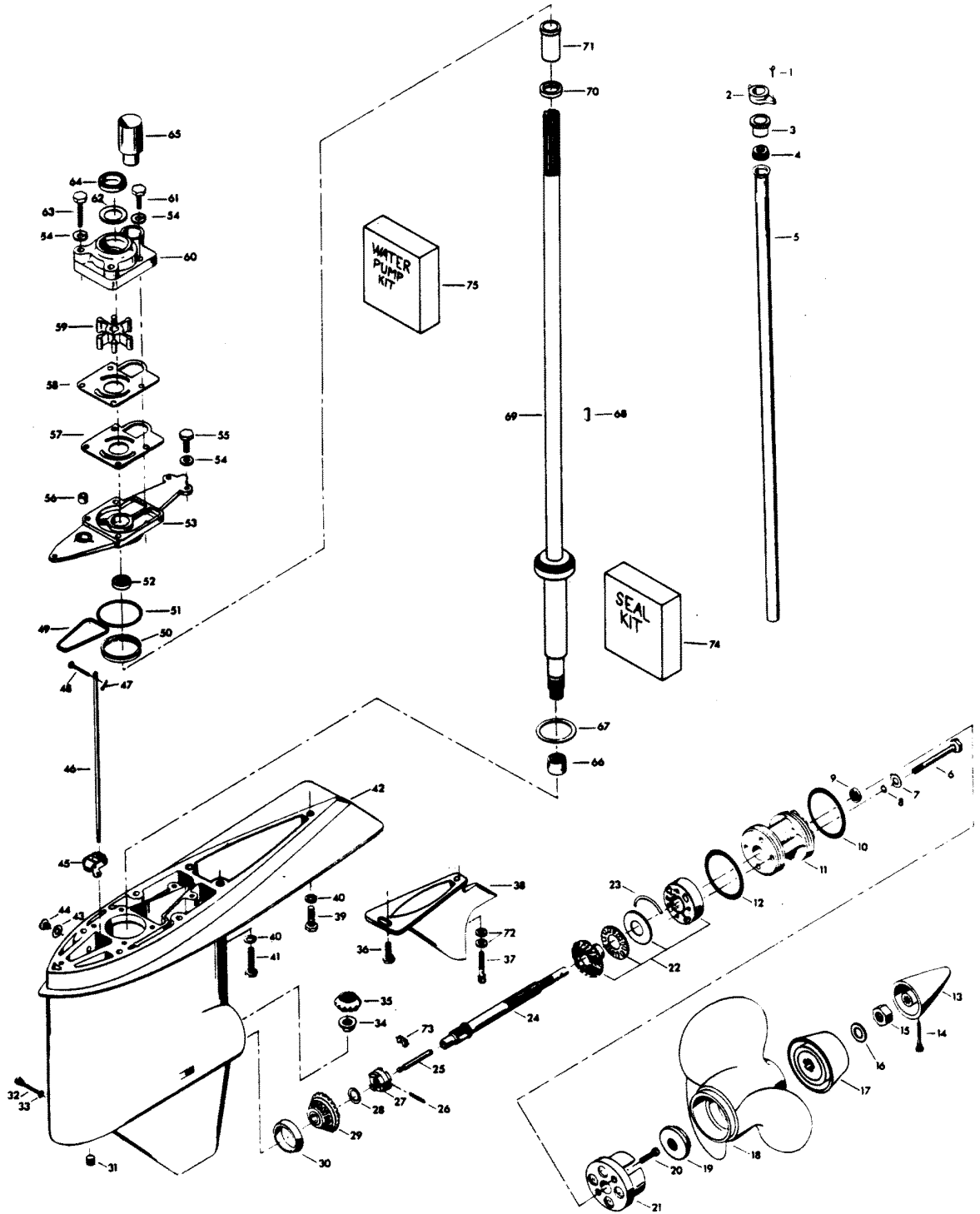


GEAR HOUSING

REF. NO.	PART NO.	SYM.	QTY.	DESCRIPTION
1	F1705		2	HEX CAP SCREW, 1/4 - 20 X 3/4
2	F85117		1	BRACKET, WATER LINE
3	F84342		1	SEAL, INLET WATER LINE UPPER
4	F523899		1	GROMMET, WATER LINE
5	F523244		1	INLET WATER LINE
6	F1885		4	HEX CAP SCREW, 5/16 - 18 X 4 1/4
7	F1907		4	PLAIN WASHER
8	F50342-1		4	SEAL, BEARING CAGE BOLTS
9	F506118		1	SEAL, PROPELLER SHAFT
10	F24278		1	SEAL, "O" RING PROPELLER SHAFT SPOOL
11	F2A523239		1	SPOOL, PROPELLER SHAFT BEARING W/SEALS
12	F84305		1	SEAL, PROPELLER SHAFT BEARING SPOOL
13	F523094-2		1	PROPELLER NUT
14	F498891		1	PIN, PROPELLER NUT RETAINING
15	F1788		1	STOP NUT
16	F1866		1	PLAIN WASHER
17	F532299		1	WASHER, PROPELLER SPLINE
18	FPS524		1	PROPELLER, (ACCESSORY ITEM)
19	F523099-1		1	SPACER, PROPELLER
20	F1577		2	FILL HD SCREW 1/4 - 20 X 3/4
21	FA523485		1	ANTI-CORROSION ANODE
22	F2A498662		1	BEVEL GEAR REAR W/BEARING CAGE, SPACER AND BEARING
23	F523411		2	RETAINING RING
24	FA523098		1	PROPELLER SHAFT
25	F84871-1		1	PIN, GEAR SHIFT
26	F1713		1	SPRING PIN
27	F84521-1		1	CLUTCH
28	F1936		A/R	SPACER, BEVEL GEAR FRONT .059
-	F1937		A/R	SPACER, BEVEL GEAR FRONT .062
-	F1938		A/R	SPACER, BEVEL GEAR FRONT .065
-	F1939		A/R	SPACER, BEVEL GEAR FRONT .068
-	F1940		A/R	SPACER, BEVEL GEAR FRONT .071
-	F1941		A/R	SPACER, BEVEL GEAR FRONT .074
-	F1942		A/R	SPACER, BEVEL GEAR FRONT .077
-	F2113		A/R	SPACER, BEVEL GEAR FRONT .080
-	F2114		A/R	SPACER, BEVEL GEAR FRONT .083
-	F2115		A/R	SPACER, BEVEL GEAR FRONT .086
-	F2116		A/R	SPACER, BEVEL GEAR FRONT .089
-	F2121		A/R	SPACER, BEVEL GEAR FRONT .057
-	F2122		A/R	SPACER, BEVEL GEAR FRONT .054
29	F2A498023		1	BEVEL GEAR FRONT W/BEARING
30	F523813		1	BEARING CUP

CONTINUED ON NEXT PAGE ➡

GEAR HOUSING

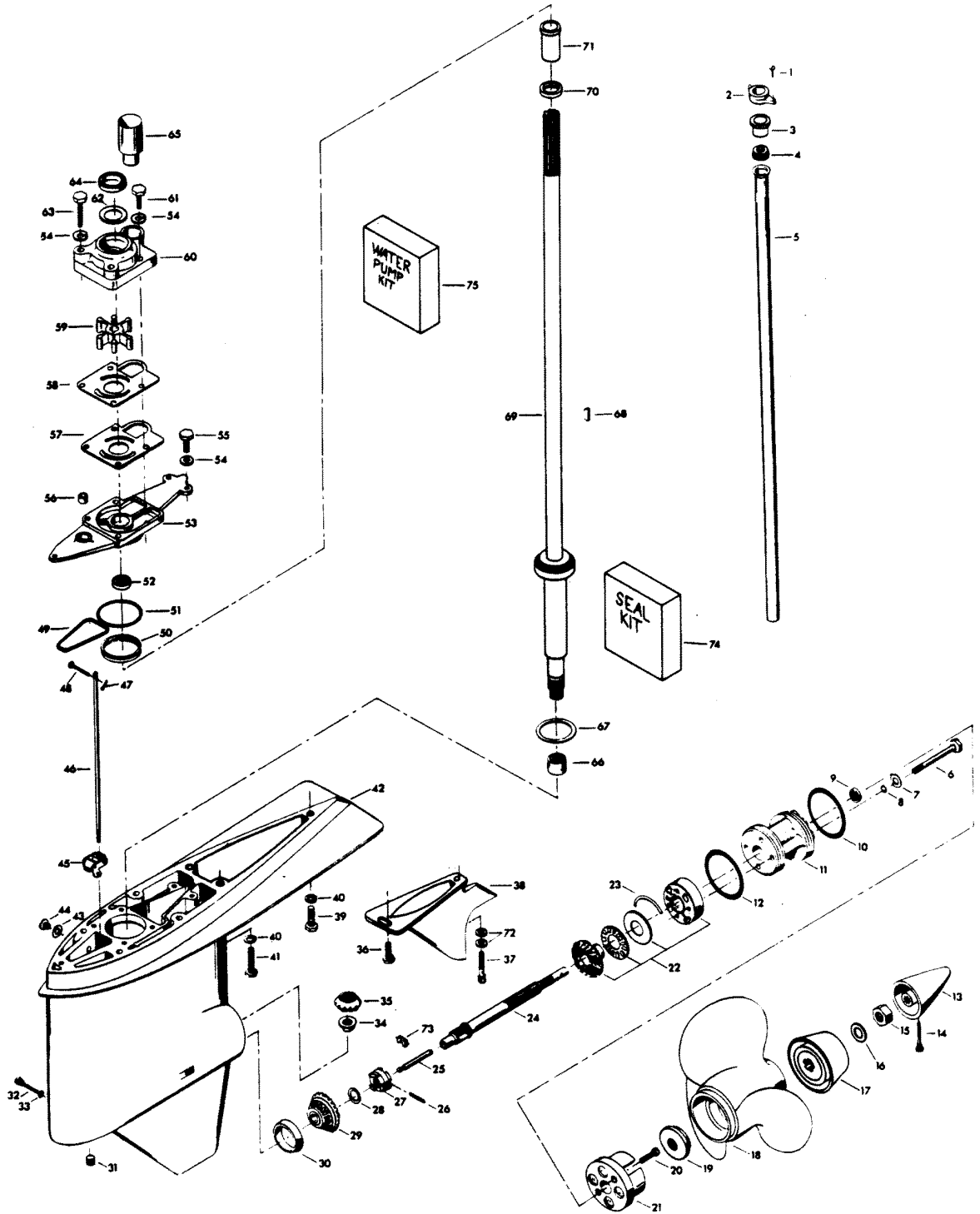


GEAR HOUSING

REF. NO.	PART NO.	SYM.	QTY.	DESCRIPTION
31	F19109		1	PLUG, GEAR HOUSING
32	F498891		1	PIN, GEAR SHIFT ARM
33	F498618		1	SEAL
34	F523188		1	NUT, BEVEL PINION RETAINING
35	FA498266		1	BEVEL PINION GEAR W/CRUSH RING AND SHIMS
36	F438930		1	RETAINER, SNOUT
37	F1994		1	HEX SOCKET HD CAP SCREW, 5/16 - 18 X 1
38	F523116		1	EXHAUST SNOUT
39	F1858		1	HEX CAP SCREW, 5/16 - 18 X 1
40	F8096		7	SPRINK LOCKWASHER
41	F1491		6	HEX CAP SCREW, 5/16 - 18 X 3 1/4
42	FA523054		1	GEAR HOUSING W/BEARING CUP DRIVESHAFT BEARING LOWER, PLUGS AND WASHERS
-	FC550054		1	GEAR HOUSING COMPLETE INCLUDES ALL ITEMS MARKED WITH AN ASTERISK (*).
43	F8077		2	WASHER, GEAR HOUSING PLUG
44	F50109		2	PLUG, GEAR HOUSING
45	FA84621-1		1	COUPLING, GEAR SHIFT ARM W/BUSHING
46	F523705		1	GEAR SHIFT ROD LOWER
47	F1015		1	COTTER PIN
48	F85372		1	PIN, GEAR SHIFT ROD LOWER
49	F523555		1	SEAL, "O" RING - GEAR HOUSING COVER
50	F523961		1	CRUSH RING
51	F74305		1	SEAL, DRIVESHAFT BEARING CAGE
52	F506118		1	SEAL, DRIVESHAFT
53	F2A550706		1	GEAR HOUSING COVER W/SEAL
54	F8083		7	SPRING LOCKWASHER
55	F1999		3	HEX CAP SCREW, 1/4 - 20 X 7/8
56	F338618-1		1	SEAL, GEAR SHIFT ROD
57	F523031		1	GASKET, WATER PUMP
58	F523562		1	WATER PUMP BACK PLATE
59	F523065		1	WATER PUMP IMPELLER
60	46-817853A1		1	WATER PUMP BODY W/DRIVESHAFT SEAL, DISC AND WATER LINE SEAL
61	F1990		2	HEX CAP SCREW, 1/4 - 20 X 1 5/8
62	F480388		1	DISC, WATER PUMP LOCATING
63	F1425		2	HEX CAP SCREW, 1/4 - 20 X 2 5/8
64	F351307		1	SEAL, WATER PUMP
65	FA523735		1	SEAL, INLET WATER LINE LOWER W/LITERATURE
66	F523057		1	BEARING, DRIVESHAFT LOWER
67	F9106		A/R	SHIM, DRIVESHAFT BEARING UPPER .033 - BRASS
-	F9095		A/R	SHIM, DRIVESHAFT BEARING UPPER .005 - SILVER
-	F9097		A/R	SHIM, DRIVESHAFT BEARING UPPER .010 - BLACK
68	F523498		1	DRIVE KEY, WATER PUMP

CONTINUED ON NEXT PAGE ➡

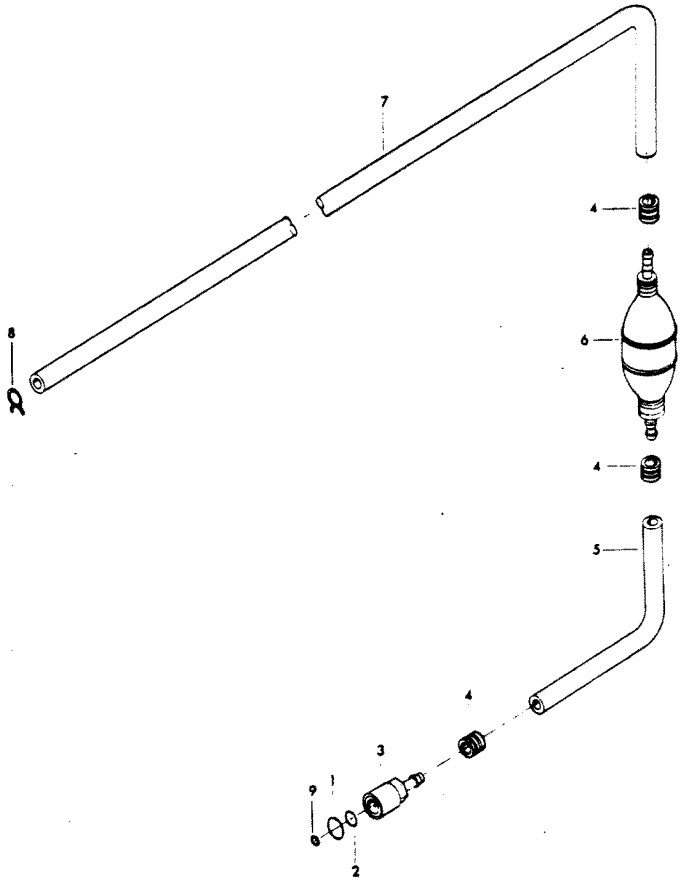
GEAR HOUSING



GEAR HOUSING

REF. NO.	PART NO.	SYM.	QTY.	DESCRIPTION
69	FK550128		1	DRIVESHAFT W/BEARING, SHIMS AND CRUSH RING
70	F438271		1	RETAINER, CRANKSHAFT SPLINE SEAL
71	F438129		1	SEAL, DRIVESHAFT SPLINE
72	F1856		2	PLAIN WASHER
73	F90619-1		1	YOKE
74	FK1063		1	SEAL KIT
-	F50342-1		4	BEARING CAGE BOLT SEAL
-	F506118		1	PROPELLER SHAFT SEAL
-	F24278		1	PROPELLER SHAFT SPOOL SEAL
-	F84305		1	PROPELLER SHAFT SPOOL SEAL
-	F498618		1	GEAR SHIFT ARM PIN SEAL
-	F8077		2	WASHER
-	F523555		1	GEAR HOUSING COVER SEAL
-	F74305		1	GEAR HOUSING COVER SEAL
-	F84307-1		1	DRIVE SHAFT SEAL
-	F338618-1		1	GEAR SHIFT ROD SEAL
75	FK1069		0	WATER PUMP KIT
-	F1425		2	HEX CAP SC. 1/4 - 20 X 5/8
-	F1990		2	HEX CAP SCREW
-	F8083		4	SPRING LOCKWASHER
-	F523031		1	GASKET, WATER PUMP
-	F523065		1	IMPELLER
-	F523498		1	KEY
-	F523562		1	PLATE, WATER PUMP
-	46-817853A1		1	WATER PUMP

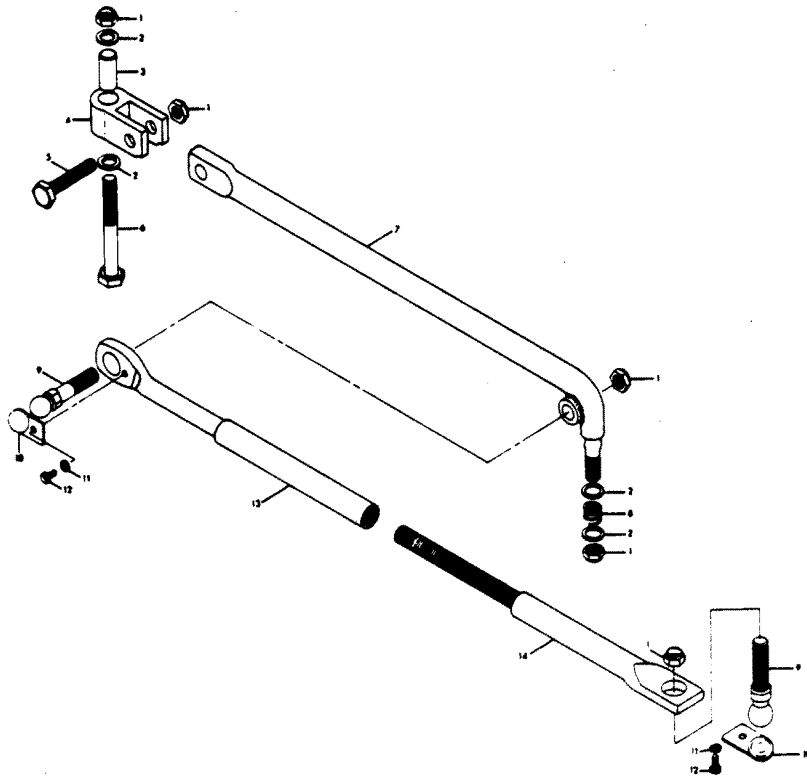
FUEL TANK AND LINE



FUEL TANK AND LINE

REF. NO.	PART NO.	SYM.	QTY.	DESCRIPTION
1	F213342		1	SEAL, FUEL LINE COUPLER (LARGE)
2	F213735		1	SEAL, FUEL LINE COUPLER (SMALL)
3	F197787-3		1	FUEL LINE COUPLER
4	F298788		3	FERRULE
5	FA84754-1		1	FUEL LINE SHORT W/FERRULES
6	89396A38		1	PRIME BULB
7	32-817738A1		1	FUEL LINE LONG W/CLAMP AND FERRULE
8	F97772		1	FUEL LINE CLAMP
9	F17932		1	SEAL, FUEL TANK ADAPTER
-	FS409752		1	FUEL LINE COMPLETE

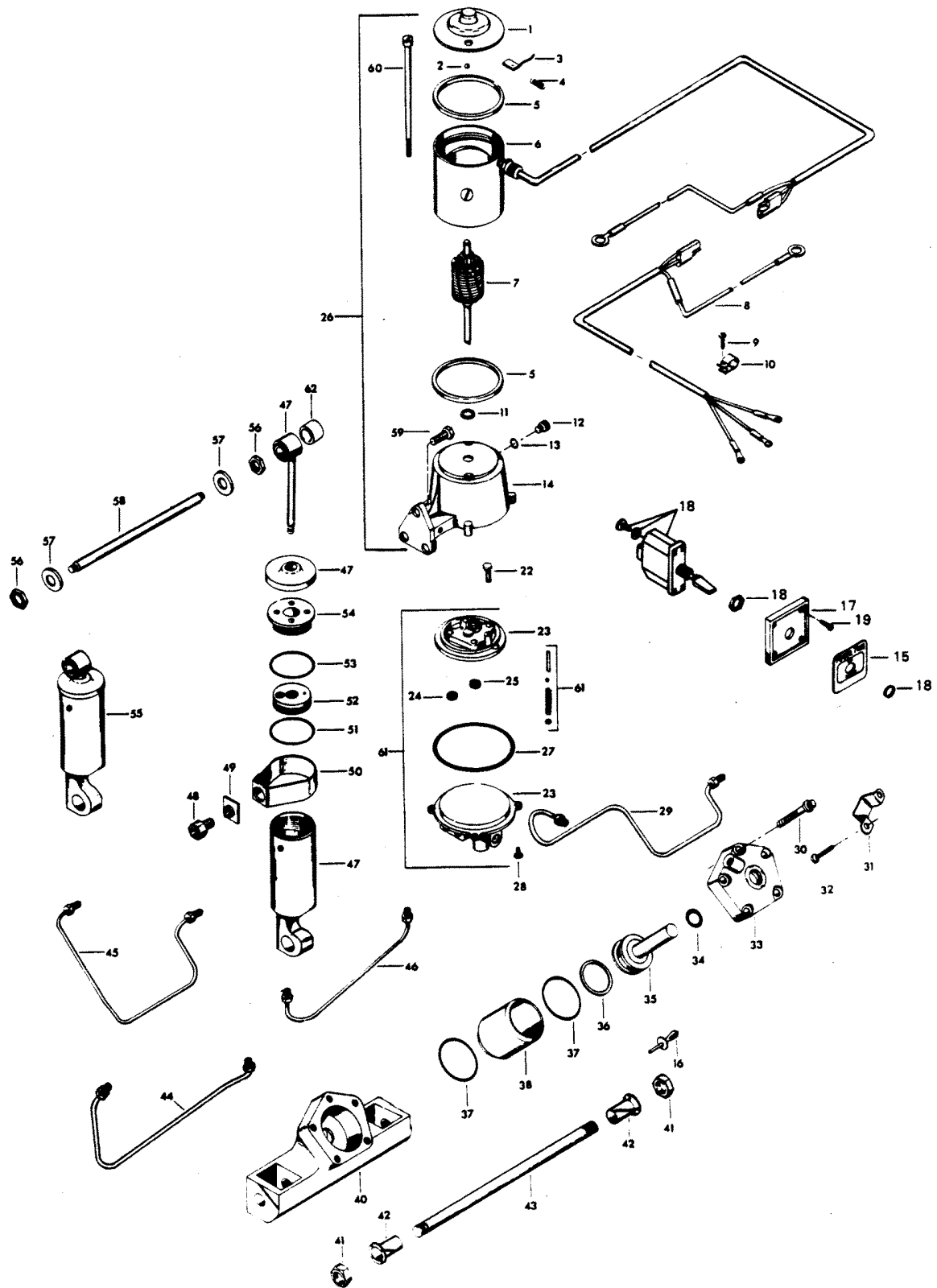
DUAL STEERING



DUAL STEERING

REF. NO.	PART NO.	SYM.	QTY.	DESCRIPTION
1	F2093		5	3/8 - 24 STOP NUT
2	F8038		4	PLAIN WASHER
3	F17978		1	BUSHING
4	F17979		1	SWIVEL
5	F1469		1	3/8 - 24 X 1 1/4 HEX CAP SCREW
6	F1433		1	3/8 - 24 X 2 1/4 HEX CAP SCREW
7	F501881		1	LINK, DUAL STEERING STARBOARD
8	F523300-1		1	SPRING, STEERING LINK
9	F523273		2	STUD, STEERING BALL
10	F523930		2	RETAINER, STUD STEERING BALL
11	F8080		2	#8 SPRING LOCKWASHER
12	F1280		2	8 - 32 X 1/4 PAN HEAD SCREW
13	F500509		1	LINK, DUAL STEERING
14	FS500510		1	LINK, DUAL STEERING

POWER TRIM UNIT

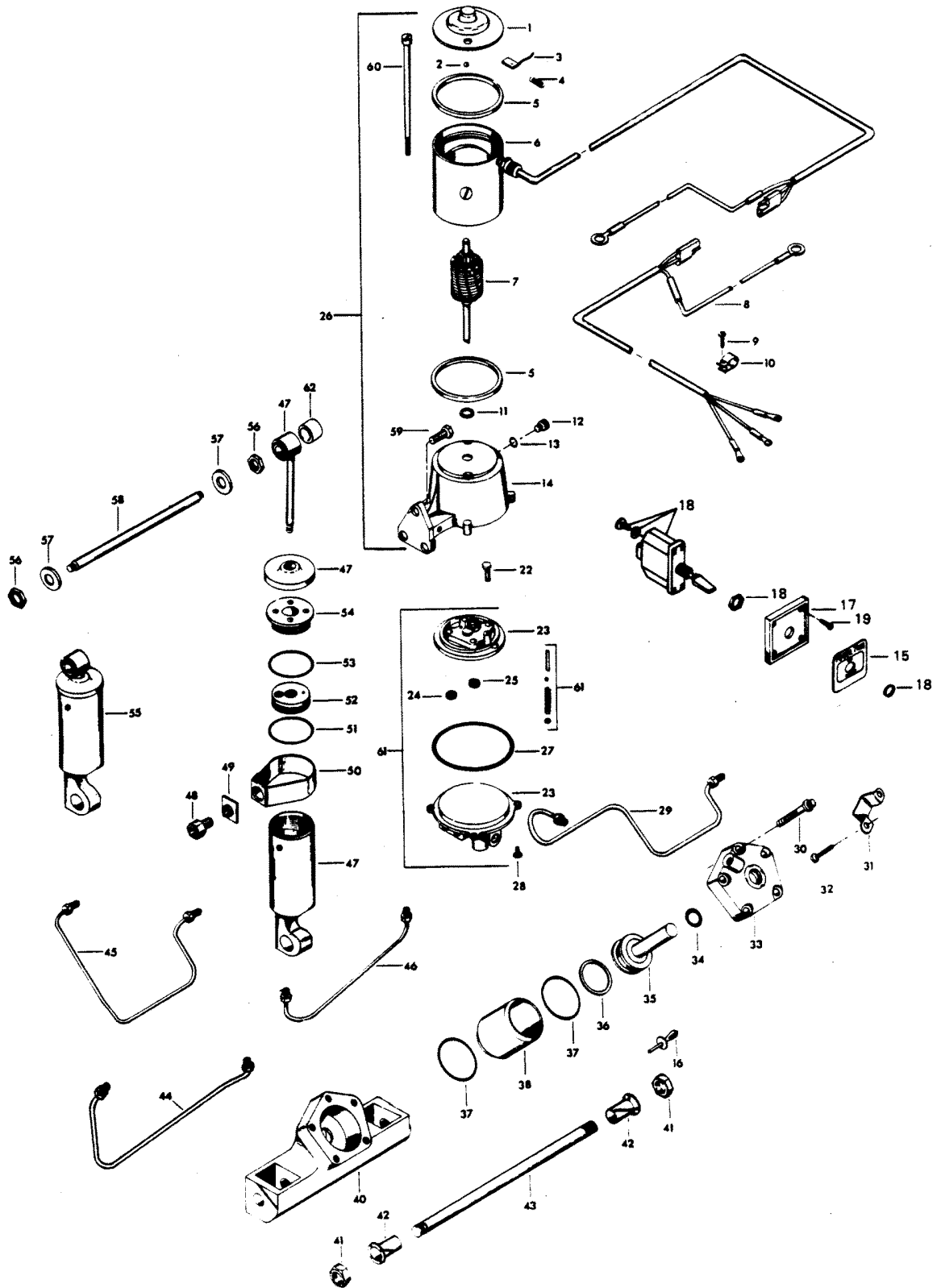


POWER TRIM UNIT

REF. NO.	PART NO.	SYM.	QTY.	DESCRIPTION
1	F17543		1	HEAD ASSEMBLY, COMMUTATOR END
2	F17539		1	BALL
3	F17504		1	BRUSH SET
4	F17500		1	SPRING SET
5	F17557		2	GASKET
6	F17556		1	FIELD AND FRAME ASSEMBLY
7	F17555		1	ARMATURE
8	F449843		1	CABLE
9	F1741		2	THREAD FORMING SCREW, 8 X 3/4
10	F178446		2	CLAMP
11	F17508		A/R	THRUST WASHER
12	F17518		1	FILTER CAP
13	F17510		1	"O" RING
14	F17505		1	RESERVOIR AND BRACKET W/SEAL
15	F449181		1	PLATE, POWER TRIM SWITCH
16	F1966		1	PLUG, SWIVEL BRACKET
17	F413420		1	RETAINER SWITCH PLATE
18	F299449-4		1	SWITCH TOGGLE
19	F1934		4	SWITCH PLATE RETAINER SCREW
22	F1203		1	HEX CAP SCREW, 1/4 - 20 X 7/8
23	F17564		1	VALVE BODY AND PUMP
24	F17566		1	IDLE GEAR
25	F17565		1	DRIVE GEAR
26	F17563		1	MOTOR AND RESERVOIR
27	F17522		1	"O" RING
28	F1310		4	ROUND HD SCREW, 10 - 24 X 5/8
29	F449254		1	HYDRAULIC LINE, TRIM CYLINDER, UPPER
30	F1959		5	FERRY HD CAP SCREW, 1/4 - 20 X 1 3/4, STAINLESS STEEL
31	F449354		1	THRUST BRACKET
32	F1734		2	FILL HD MOUNTING SCREW AND LOCKWASHER, 1/4 - 20 X 1/2
33	FA449149		1	COVER W/SEALS AND RETAINER
34	F449342		1	SEAL, PISTON SHAFT
35	FA449015		1	PISTON
36	F449278		1	PISTON SEAL
37	F40278		2	SEAL, CYLINDER
38	F449010		1	CYLINDER
40	F449545-2		1	CYLINDER, HOUSING
41	F1953		2	ELASTIC STOP NUT, 5/8 - 18
42	F178362		2	BEARING
43	F449632		1	SHAFT
44	F449253-1		1	HYDRAULIC LINE, TRIM CYLINDER, LOWER
45	F449758		1	HYDRAULIC LINE, LIFT CYLINDER, UPPER

CONTINUED ON NEXT PAGE ➡

POWER TRIM UNIT



POWER TRIM UNIT

REF. NO.	PART NO.	SYM.	QTY.	DESCRIPTION
46	F449754-1		1	HYDRAULIC LINE, LIFT CYLINDER, LOWER
47	FA17559		1	LIFT CYLINDER COMPLETE
48	F17577		1	ADAPTER FITTING PACKAGE
49	F17577		1	ADAPTER FITTING PACKAGE
50	F17577		1	ADAPTER FITTING PACKAGE
51	F17561-1		1	"O" RING
52	F17562-1		1	PISTON ASSEMBLY
53	F17523		1	"O" RING
54	F17560		1	HEAD ASSEMBLY
55	FA178962		1	SHOCK ABSORBER W/BUSHING
56	F1931		2	STOP NUT, 1/2 - 20, STAINLESS STEEL
57	F1960		2	PLAIN WASHER
58	F449889		1	SHAFT, UPPER
59	F1822		3	HEX CAP SCREW, 5/16 - 18 X 7/8, STAINLESS STEEL
60	F17558		1	THRU-BOLT PACKAGE
61	F17568		1	HYDRAULIC PUMP AND VALVE ASSEMBLY
-	F1877		2	TY-RAP NOT SHOWN)
62	F178344		2	BUSHING, SHOCK ABSORBER UPPER

SPECIAL TOOLS - TUNE-UP

REF. NO.	PART NO.	SYM.	QTY.	DESCRIPTION
-	FT8948-1		0	PULLER TO REMOVE FLYWHEEL.
-	FTA2937-1		0	TIMING TOOL TO ADJUST TIMING POINTER.
-	FT2951		0	CIRCUIT TRACER TO TROUBLESHOOT ELECTRICAL SYSTEM

SPECIAL TOOLS - POWER HEAD

REF. NO.	PART NO.	SYM.	QTY.	DESCRIPTION
-	FT8914		0	SEAL REMOVER TO REMOVE UPPER CRANKSHAFT BEARING CAGE SEAL.
-	FT8903		0	SEAL INSTALLER TO INSTALL UPPER CRANKSHAFT BEARING CAGE SEAL.
-	FT8927		0	SEAL PROTECTOR TO INSTALL UPPER CRANKSHAFT BEARING CAGE.
-	FT8907		0	DRIVE HANDLE USED WITH T8903.
-	FT8925		0	SEAL INSTALLER TO INSTALL LOWER CRANKSHAFT SEAL.
-	FT2953		0	SOCKET TO TORQUE CONNECTING ROD SCREWS.
-	FT2990		0	PISTON PIN TOOL TO REMOVE AND INSTALL PISTON PINS.
-	FT2996		0	RING COMPRESSOR TO INSTALL PISTONS IN CYLINDER.
-	FT8926		0	RING EXPANDER TO INSTALL PISTON RINGS.
-	FT1082		0	SNAP RING PLIER TO REMOVE AND INSTALL DISTRIBUTOR RETAINING RING.

SPECIAL TOOLS - GEAR HOUSING

REF. NO.	PART NO.	SYM.	QTY.	DESCRIPTION
-	FT8948-1		0	PULLER TO REMOVE SPOOL FROM GEAR HOUSING.
-	FT8918		0	BEARING GUIDE SET TO REMOVE AND INSTALL BEARING CUP IN GEAR HOUSING.
-	FT11209		0	BEARING GUIDE SET USE WITH T8918.
-	FT11207		0	BEARING CUP REMOVER TO REMOVE FORWARD BEARING CUP IN GEAR HOUSING.
-	FT11204		0	BEARING CUP INSTALLER TO INSTALL FORWARD BEARING CUP IN GEAR HOUSING.
-	FT8957		0	SEAL INSTALLER TO INSTALL SHIFT ROD SEAL.
-	FT3012		0	SEAL INSTALLER TO INSTALL WATER PUMP SEAL.
-	FT8997		0	SHIMMING TOOL SET TO OBTAIN PROPER GEAR CLEARANCE AND PROP SHAFT END FLOAT.
-	FT8985		0	SEAL INSTALLER TO INSTALL PROPELLER SHAFT SEAL IN PROPELLER SHAFT. BEARING SPOOL.
-	FT11205		0	BEARING INSTALLER/REMOVER TO INSTALL AND REMOVE LOWER DRIVE SHAFT BEARING IN GEAR HOUSING.
-	FT8925		0	SEAL INSTALLER TO INSTALL DRIVESHAFT SEAL IN GEAR HOUSING.
-	FT8907		0	DRIVER HANDLE TO INSTALL BEARING CUPS AND SEALS.
-	FT8901		0	INDICATOR HOLDER USED IN CONJUNCTION WITH T8997.
-	FT8902		0	DIAL INDICATOR USED IN CONJUNCTION WITH T8997.
-	FT8919		0	SPRING PIN PUNCH TO REMOVE CLUTCH SPRING PIN.
-	FT7848		0	TORQUING ADAPTER HOLDS DRIVESHAFT WHILE INSTALLING OR REMOVING PINION NUT.

SPECIAL TOOLS - TEST EQUIPMENT

REF. NO.	PART NO.	SYM.	QTY.	DESCRIPTION
-	FTK8999		0	TEST WHEEL TO TEST MOTOR IN TEST TANK. ORIGINAL FORCE P/N TA8999
-	FT8933		0	LIFTING HOOK TO LIFT ENGINE.
-	FT8950		0	LEAKAGE TESTER TO TEST LOWER UNIT SEALS FOR LEAKAGE.
-	FT8953		0	IGNITION TESTER TO TEST OUTPUT OF C-D UNIT.
-	FT8978		0	TIMING LIGHT FOR SETTING IGNITION TIMING.

SPECIAL TOOLS - LUBRICANTS AND SEALANTS

REF. NO.	PART NO.	SYM.	QTY.	DESCRIPTION
-	FT2961		0	LUBRICANT
-	FT2987-1		0	LUBRICANT
-	FT8969		0	LUBRICANT
-	FT8955		0	SEALANT
-	FT8993		0	SEALANT
-	FT8936		0	SEALANT
-	FT2962-1		0	SEALANT
-	FT2963-1		0	SEALANT
-	FT8935		0	SEALANT PRIMER

SPECIAL TOOLS - DECAL REPAIR SHEETS

REF. NO.	PART NO.	SYM.	QTY.	DESCRIPTION
-	T11231		0	GOLD REPAIR DECALS ON ENGINE COVERS AND LEGS.
-	T11230		0	ORANGE REPAIR DECALS ON ENGINE COVERS AND LEGS.
-	T11229		0	SAND TAN REPAIR DECALS ON ENGINE COVERS.
-	T11228		0	DARK METALLIC BROWN REPAIR DECALS ON ENGINE COVERS AND LEGS.
-	T11227		0	DARK BROWN REPAIR DECALS ON ENGINE COVERS.

ACCESSORIES

REF. NO.	PART NO.	SYM.	QTY.	DESCRIPTION
-	F5H014		0	FLUSHING ADAPTER PERMITS FRESH WATER FLUSHING OF WATER PASSAGES WITH STANDARD GARDEN HOSE.
-	F5H130		0	REMOTE CONTROL BOX (SINGLE LEVER) (SURFACE MOUNT) PERMITS REMOTE CONTROL OF THROTTLE AND GEAR SHIFT FROM STARBOARD SIDE OF BOAT.
-	F5H131		0	PORT SIDE DECAL KIT CONVERTS 5H130 CONTROL BOX TO PORT SIDE MOUNTING.
-	F590		0	REMOTE CONTROL HEAD (SINGLE LEVER) (FLUSH MOUNT) FLUSH MOUNT CONTROL UNIT PERMITS REMOTE CONTROL OF THROTTLE AND GEAR SHIFT. MAY BE MOUNTED ON PORT OR STARBOARD SIDE OF BOAT.
-	865		0	DUAL SINGLE LEVER CONTROL (SURFACE MOUNT) PERMITS REMOTE CONTROL OF THROTTLE AND GEAR SHIFT ON TWIN ENGINE INSTALLATIONS. MAY BE MOUNTED ON PORT OR STARBOARD SIDE OF BOAT.
-	F195/___		0	REMOTE CONTROL CABLES CONNECTS REMOTE CONTROL BOX TO THROTTLE AND GEAR SHIFT ON ENGINE. AVAILABLE IN 6 THROUGH 40 FOOT LENGTHS.
-	F5H094		0	STEERING LINK KIT CONNECTS ENGINE TO REMOTE STEERING.
-	F5H018		0	DUAL ENGINE TIE BAR PERMITS DUAL ENGINE INSTALLATIONS.
-	F5H026		0	STEEL, 6 GALLON FUEL TANK (LOW PROFILE) AUXILIARY TANK.
-	F5H029		0	TANK ANCHOR SECURES 5H026 TO BOAT.
-	F5H040		0	STEEL, 12 GALLON FUEL TANK AUXILIARY TANK.
-	F5H019		0	ANTI-CORROSION KIT ELECTRICAL KIT FOR MOUNTING ON BOAT (12V) TO REDUCE CORROSION.
-	F5H025		0	ANTI-CORROSION SACRIFICIAL ANODE KIT USED TO REDUCE CORROSION.
-	F5H043		0	OVERHEAT BUZZER SOUNDS WARNING BUZZER IF ENGINE OVERHEATS.
-	F5H010		0	POWER TRIM INDICATOR INDICATES ENGINE TRIM ANGLE. (FLUSH MOUNT).
-	F5H134		0	BOAT WHITE LACQUER ENGINE TOUCH-UP PAINT IN 12 3/4 OZ. SPRAY BOMBS (6 CANS PER CASE).
-	F5H003		0	SPEEDOMETER FLUSH MOUNT MONITORS BOAT SPEED (0-100 KM/H)
-	F5H030		0	SWITCH KIT - RUNNING LIGHTS DASH MOUNTED TOGGLE SWITCH.
-	F5H031		0	SWITCH KIT - SPOT LIGHT DASH MOUNTED TOGGLE SWITCH.
-	F5H032		0	SWITCH KIT - WIPER DASH MOUNTED TOGGLE SWITCH.
-	F5H034		0	SWITCH KIT - BILGE PUMP DASH MOUNTED TOGGLE SWITCH.
-	F5H035		0	SWITCH KIT - HORN DASH MOUNTED TOGGLE SWITCH (MOMENTARY).
-	F5H036		0	SWITCH KIT - TACHOMETER TRANSFER DASH MOUNTED TOGGLE SWITCH FOR ONE TACHOMETER ON DUAL ENGINE INSTALLATION.

CONTINUED ON NEXT PAGE ➡

ACCESSORIES

REF. NO.	PART NO.	SYM.	QTY.	DESCRIPTION
-	F5H038		0	SWITCH KIT - IGNITION SWITCH TO MOUNT IGNITION SWITCH ON DASH.
-	F5H039		0	SWITCH KIT - INSTRUMENT LIGHT DASH MOUNTED TOGGLE SWITCH.
-	479		0	UNIMOUNT UNDER DASH MOUNT FOR INDICATORS, LAMPS AND IGNITION SWITCHES.
-	F5H075		0	WIRING HARNESS - IGNITION SWITCH ("24") USE WITH 563 TERMINAL BLOCK.
-	F5H135		0	SAND TAN LACQUER ENGINE TOUCH-UP PAINT IN 12 3/4 OZ. SPRAY BOMBS (6 CANS PER CASE).
-	F5H068		0	RFI SUPPRESSION KIT PROVIDES RADIO NOISE SUPPRESSION.
-	F5H081		0	BATTERY CABLE LONGER LENGTH - 15 FEET.
-	71H06		0	AMMETER FLUSH MOUNT MONITORS OUTPUT OF ALTERNATOR.
-	F5H006		0	VOLTMETER - FLUSH MOUNT INDICATES BATTERY CONDITION.
-	71H25		0	CHARGE MONITOR LAMP INDICATES ALTERNATOR OUTPUT
-	5H047		0	CANVAS HOOD PROTECTION FOR ENGINE COVER.
-	5H051		0	BATTERY, 74 AMP 12 VOLT HEAVY DUTY BATTERY.
-	F5H021		0	EXTENSION CABLE FOR LENGTHENING BATTERY CABLE 6 1/2 FEET.
-	F5H041		0	BATTERY TERMINAL KIT ADAPTS MODEL 5H051 BATTERY TERMINALS FOR CONNECTIONS TO BATTERY CABLE ON ENGINE.
-	F5H037		0	CIGAR LIGHTER FOR USE AS CONVENIENCE OUTLET.
-	168		0	CONTROL PANEL FOR MOUNTING LAMPS, SWITCHES, ETC.
-	F5H008		0	FUEL GAUGE FLUSH MOUNT MONITORS FUEL SUPPLY.
-	F5H077		0	IGNITION KEY SWITCH SHORT BARREL WITH KEYS.
-	F5H078		0	IGNITION KEY SWITCH LONG BARREL WITH KEYS.
-	478		0	IGNITION LAMP INDICATES WHEN IGNITION SWITCH IS "ON".
-	F762		0	REMOTE ELECTRIC CABLE 25 FOOT CABLE FOR LARGER BOATS.
-	5H082		0	REMOTE ELECTRIC CABLE 35 FOOT CABLE FOR LARGE BOATS.
-	F5H119		0	PROPELLER SPACER - FLARED REDUCES PROPELLER VENTILATION.
-	F5H070		0	REMOTE ELECTRIC CABLE 21 FOOT CABLE FOR LARGE BOATS.
-	F5H007		0	HOURMETER - FLUSH MOUNT RECORDS ENGINE RUNNING TIME.
-	F5H028		0	SENDING UNIT FOR USE WITH 5H008 FUEL GAUGE.
-	F5H005		0	TEMPERATURE GAUGE FLUSH MOUNT MONITORS ENGINE TEMPERATURE. DO NOT USE TEMPERATURE GAUGE AND HEAT LAMP IN SAME INSTALLATION.
-	479		0	OVERHEAT LAMP KIT WARNS OF ENGINE OVERHEATING.
-	F5H012		0	TACHOMETER FLUSH MOUNT MONITORS ENGINE R.P.M. TO PROVIDE CHECK OF ENGINE PERFORMANCE.

CONTINUED ON NEXT PAGE ➡

ACCESSORIES

REF. NO.	PART NO.	SYM.	QTY.	DESCRIPTION
-	F5H004		0	SPEEDOMETER FLUSH MOUNT MONITORS BOAT SPEED (0 - 50 M.P.H.).
-	F5H002		0	SPEEDOMETER FLUSH MOUNT MONITORS BOAT SPEED (0 - 65 M.P.H.).
-	5H111		0	INSTRUMENT ADAPTER - 2" PROVIDES SURFACE MOUNTING OF 2" INSTRUMENTS.
-	F5H112		0	INSTRUMENT ADAPTER - 3 1/2" PROVIDES SURFACE MOUNTING OF 3 1/2" INSTRUMENTS.
-	F5H120		0	REMOTE CONTROL BLACK PLATE PROTECTS CONTROL MECHANISM FROM PADDED BOAT SURFACES.
-	F5H108		0	STEERING CONNECTOR CLEVIS TYPE FOR BOAT MOUNTED STEERING AND NONTHREADED CABLE END.
-	F5H076		0	SWITCH EXTENSION CABLE 5' ALLOWS INSTALLATION OF IGNITION SWITCH IN 5H130 CONTROL BOX WITH 563 TERMINAL BLOCK.
-	F563		0	TERMINAL BLOCK KIT DOUBLE ROW 10 SECTION TO SIMPLIFY ACCESSORY INSTALLATION.
-			0	CHRYSLER OUTBOARD OIL SEE BLOCK COMMENT 1.
-			0	CHRYSLER OUTBOARD GEAR LUBE SEE BLOCK COMMENT 2.
-			0	CHRYSLER OUTBOARD FUEL AID REMOVES MOISTURE, PREVENTS SLUDGE AND VARNISH AND STABILIZES GAS. AVAILABLE IN 16 OZ. CANS AND 12 CAN CASES.
-			0	CHRYSLER OUTBOARD STORAGE LUBRICANT WORKS AS A CORROSION INHIBITOR AND PROTECTS INTERNAL ENGINE PARTS DURING STORAGE. AVAILABLE IN 16 OZ. CANS AND 12 CAN CASES.
-			0	CHRYSLER OUTBOARD MULTI-PURPOSE SPRAY LUBE WORKS AS A LUBRICANT, CLEANER, MOISTURE REMOVER AND ELECTRIC INSULATOR. AVAILABLE IN 9 OZ. CANS AND 12 CAN CASES.
-			0	CHRYSLER OUTBOARD MULTI-PURPOSE GREASE LUBRICATES BEARING AND OTHER MOVING PARTS. AVAILABLE IN 8 OZ. TUBES AND 12 TUBE CASES.
-			0	CHRYSLER OUTBOARD GREASE GUN USED WITH CHRYSLER OUTBOARD MULTI-PURPOSE GREASE TUBES FOR PRESSURE FITTINGS.
-			0	CHRYSLER OUTBOARD MULTI-PURPOSE CLEANER

PARTS INDEX

Part Number	Description	Pg.	Ref. No.	Part Number	Description	Pg.	Ref. No.
15169	FRAME AND FIELD ASSEMBLY	15	9	F1187	HEX HD SCREW, 1/4 - 20 X 1	23	35
168	CONTROL PANEL	55	-	F1199	HEX CAP SCREW, 1/4 - 20 X 1	23	44
3C404944	ENGINE COVER COMPLETE, PORT	3	-	F1203	HEX BOLT, 1/4 - 20 X 7/8	23	6
478	IGNITION LAMP	55	-	F1203	HEX CAP SCREW, 1/4 - 20 X 7/8	45	22
479	OVERHEAT LAMP KIT	55	-	F1236	HEX HD SCREW, 1/4 - 20 X 1/2	21	91
479	UNIMOUNT	55	-	F1238	HEX CAP SCREW, 1/4 - 20 X 3/4	3	8
480373	DECAL, MAGNAPOWER IGNITION	9	55	F1238	HEX HD SCREW, 1/4 - 20 X 3/4	23	43
481373-1	DECAL, "ELECTRONIC" (NOT SHOWN)	13	-	F1263	HEX SOCKET HD CAP SCREW, 5/16 - 18 X 9/16	31	14
5C404944	ENGINE COVER COMPLETE, STARBOARD	3	-	F1280	8 - 32 X 1/4 PAN HEAD SCREW	43	12
5H047	CANVAS HOOD	55	-	F1280	PAN HD SCREW, 8 - 32 X 1/4	7	33
5H051	BATTERY, 74 AMP	55	-	F1286	PAN HD SCREW, 4 - 40 X 3/16	23	31
5H082	REMOTE ELECTRIC CABLE	55	-	F1310	ROUND HD SCREW, 10 - 24 X 5/8	45	28
5H111	INSTRUMENT ADAPTER - 2"	56	-	F1341	HEX NUT, 1/4 - 20	23	13
71H06	AMMETER FLUSH MOUNT	55	-	F1346	HEX NUT, 3/8 - 16	31	24
71H25	CHARGE MONITOR LAMP	55	-	F1347	HEX NUT, 3/8 - 16	27	95
817747--1	BALL JOINT W/STUD	17	28	F14006-2	CAP BASE	11	37
817747--1	BALL JOINT W/STUD	23	9	F14007	CAP SCREW	11	33
817783A5	SWIVEL BRACKET W/BEARING AND GREASE FITTINGS	31	38	F14011-1	CAP COVER	11	34
817786A1	DISTRIBUTOR PULLEY	11	3	F14012-1	BRUSH	11	39
817787A1	CYLINDER DRAIN COVER	23	33	F14015	CAP CLIP RIVET	11	21
817788A3	SPACER PLATE W/PLUGS	25	63	F14017	TERMINAL INSULATOR (OUTSIDE)	13	46
817822A1	DISTRIBUTOR	13	-	F14020-1	CAP SEAL	11	36
817931A7	MOTOR LEG COVER, REAR	31	12	F14024	SPACER	11	42
817959A3	INTAKE MANIFOLD	17	23	F14025	SPACER	11	4
85872-1	BRACKET	25	49	F14028	THRUST WASHER	11	5
865	DUAL SINGLE LEVER CONTROL (SURFACE MOUNT)	54	-	F14029	THRUST WASHER	11	7
89396A38	PRIME BULB	41	6	F14030	CAP GASKET	11	38
A383396	DECAL, STARBOARD	5	-	F14036	SWIVEL	11	13
A383397	DECAL, PORT	5	38	F14037	CAP CLIPS	11	14
A404386	DECAL, TWIN "85"	5	39	F14038	CAP CLIP SCREWS	11	15
A553391	DECAL, LEG (STBD ENGINE)	31	-	F14040	VENT	11	35
A553392	DECAL, LEG (PORT ENGINE)	31	11	F14041	EXTERNAL TOOTH LOCKWASHER	11	23
A85135-3	LEG COVER, FRONT	33	45	F14042	DISTRIBUTOR HOUSING W/BEARINGS	11	12
F10000	GASKET SET (NOT SHOWN)	21	-	F14043	DISTRIBUTOR SHAFT	11	40
F1009	HEX BOLT, 3/8 - 16 X 2 3/4	27	97	F14045	SCREW	11	16
F10102	REPAIR PARTS KIT	21	103	F14046	TERMINAL SCREW	11	19
F1014	COTTER PIN	21	84	F14047	TERMINAL INSULATOR (INSIDE)	11	20
F1015	COTTER PIN	37	47	F14049	TERMINAL INSULATOR (OUTSIDE)	11	22
F1059	FILL HD SCREWS, S.S., 6 - 32 X 1/4	19	80	F14056	SCREW	13	47
F1064	FILL HD SCREWS, S.S., 8 - 32 X 3/8	19	45	F1425	HEX CAP SC. 1/4 - 20 X 5/8	39	-
F1072	FILL HD SCREW, 1/4 - 20 X 1 3/4	19	59	F1425	HEX CAP SCREW, 1/4 - 20 X 2 5/8	37	63
F1099	FILL HD SCREW, 1/4 - 20 X 1 1/4	27	100	F1433	3/8 - 24 X 2 1/4 HEX CAP SCREW	43	6
F1108	FILL HD SCREW W/LOCKWASHER, 1/4 - 20 X 3/4	17	2	F1447	ROUND HD SCREW, 2 X 3/16	3	13
F1110	FILL HD SCREW, 1/4 - 20 X 5/8	27	98				

PARTS INDEX

Part Number	Description	Pg.	Ref. No.	Part Number	Description	Pg.	Ref. No.
F1469	3/8 - 24 X 1 1/4 HEX CAP SCREW	43	5	F1689	HEX HD CAP SCREW, 1/4 - 20 X 1/2	7	42
F1473	HEX NUT, 10 - 24	3	30	F1692	WOODRUFF KEY	11	41
F1475	FILL HD SCREW, 10 - 24 X 1/2	23	11	F1693	TIE BAR RETAINER	19	46
F1491	HEX CAP SCREW, 5/16 - 18 X 3 1/4	37	41	F1696	HEX BOLT, 5/16 - 18 X 1 3/4	31	19
F1502	HEX CAP SCREW, 1/4 - 20 X 5/8	21	97	F1703	SPRING LOCKWASHER	27	103
F1502	HEX HD SCREW, 1/4 - 20 X 5/8	15	14	F1703	SPRING LOCKWASHER	33	51
F1502	HEX HD SCREW, 1/4 - 20 X 5/8	23	39	F1704	INTERNAL TOOTH LOCKWASHER	21	99
F1502	HEX SLOT HD SCREW, 1/4 - 20 X 5/8	3	14	F1705	HEX CAP SCREW, 1/4 - 20 X 3/4	7	23
F15034	SPRING SET	15	17	F1705	HEX CAP SCREW, 1/4 - 20 X 3/4	35	1
F1504	FILL HD SCREW, 1/4 - 20 X 1 1/4	19	56	F1709	HEX HD SCREW, 1/4 - 20 X 1 1/8	25	76
F1504	FILL HD SCREW, 1/4 - 20 X 1 1/4	23	12	F1713	SPRING PIN	35	26
F15057	BRUSH PLATE AND HOLDER	15	18	F1727	PLASTIC RIVET	23	16
F15080	SPRING	15	3	F1729	PLUG	31	9
F15099	ARMATURE	15	8	F1730	PAN HD SCREW, W/SPRING LOCKWASHER, 1/4 - 20 X 58	3	34
F15100	BENDIX	15	20	F1733	PAN HD SCREW, 10 - 24 X 9/16	3	2
F15110	CLUTCH ASSEMBLY	15	4	F1734	FILL HD MOUNTING SCREW AND LOCKWASHER, 1/4 - 20 X 1/2	45	32
F15111	NUT, STOP RETAINING	15	1	F1734	FILL HD SCREW W/LOCKWASHER 1/4 - 20 X 1/2	7	14
F15112	STOP, PINION	15	2	F1741	PAN HD SCREW, 8 X 3/4	7	35
F15125	HEAD ASSEMBLY, COMMUTATOR END	15	16	F1741	THREAD FORMING SCREW, 8 X 3/4	45	9
F15126	THRUST WASHER PACKAGE	15	7	F17500	SPRING SET	45	4
F1513	HEX NUT	7	18	F17504	BRUSH SET	45	3
F1513	HEX NUT, 10 - 32	17	29	F17505	RESERVOIR AND BRACKET W/SEAL	45	14
F1513	HEX NUT, 10 - 32	23	7	F17508	THRUST WASHER	45	11
F1515	HEX NUT	7	24	F17510	"O" RING	45	13
F1515	HEX NUT, 5/16 - 18	17	37	F17518	FILTER CAP	45	12
F15165	BRUSH TERMINAL SET	15	10	F17522	"O" RING	45	27
F15167	HEAD ASSEMBLY DRIVE END	15	5	F17523	"O" RING	47	53
F15168	THRU BOLT PACKAGE	15	12	F17539	BALL	45	2
F1528	WELCH PLUG	31	35	F17543	HEAD ASSEMBLY, COMMUTATOR END	45	1
F1556	FILL HD SCREW W/LOCKWASHER, 10 - 24 X 3/8	23	14	F1755	RD HD SCREW W/LOCKWASHER 6 - 32 X 5/16	17	16
F1577	FILL HD SCREW 1/4 - 20 X 3/4	35	20	F17555	ARMATURE	45	7
F1593	HEX HD SCREW, 3/8 - 16 X 3	31	22	F17556	FIELD AND FRAME ASSEMBLY	45	6
F1612	HEX CAP SCREW, 3/8 - 16 X 1 1/4	11	8	F17557	GASKET	45	5
F1641	LOCK NUT, 1/4 - 28	15	6	F17558	THRU-BOLT PACKAGE	47	60
F1645	HD. SCREW 6 - 32 X 1/4	7	27	F17560	HEAD ASSEMBLY	47	54
F1645	RD HD SCREW, 6 - 32 X 1/4	21	100	F17561-1	"O" RING	47	51
F1647	HEX NUT, 10 - 32	25	86	F17562-1	PISTON ASSEMBLY	47	52
F1647	HEX NUT, 8 - 32	7	6	F17563	MOTOR AND RESERVOIR	45	26
F1647	HEX NUT, 8 - 32	11	24	F17564	VALVE BODY AND PUMP	45	23
F1648	PAN HD SCREW, 10 - 24 X 3/4	7	16	F17565	DRIVE GEAR	45	25
F1664	SPRING PIN	31	13	F17566	IDLE GEAR	45	24

PARTS INDEX

Part Number	Description	Pg.	Ref. No.	Part Number	Description	Pg.	Ref. No.
F17577	ADAPTER FITTING PACKAGE	47	48	F1866	PLAIN WASHER	35	16
F17577	ADAPTER FITTING PACKAGE	47	49	F1867	HEX CAP SCREW, 3/8 - 16 X 1	29	19
F17577	ADAPTER FITTING PACKAGE	47	50	F1869	HEX BOLT, 3/8 - 16 X 1 1/4	25	61
F1759	SHIM, DISTRIBUTOR (QTY. AS REQUIRED)	11	11	F1871	HEX HD SCREW, 3/8 - 16 X 3/4	33	50
F1760	PAN HD SCREW - 10 - 24 X 3/8	11	25	F1871	HEX HD SCREWS 3/8 - 16 X 3/4	31	1
F1760	PAN HD SCREW, 10 - 24 X 3/8	7	19	F1872	HEX BOLT, 3/8 - 16 X 1 3/4	27	99
F1760	PAN HD SCREW, 10 - 24 X 3/8	19	60	F1873	HEX BOLT, 3/8 - 16 X 3	27	96
F1760	PAN HD SCREW, 10 - 24 X 3/8	23	2	F1877	TY-RAP	7	29
F1773	HEX HD SCREW, 1/4 - 20 X 1 1/2	17	26	F1877	TY-RAP NOT SHOWN)	47	-
F177330	FUEL PUMP VALVE	17	9	F1883	HEX BOLT, 5/16 - 18 X 2 3/8	25	67
F1778	PLAIN WASHER	11	9	F1885	HEX BOLT, 5/16 - 18 X 4 1/4	25	55
F178323	SEAL, MOTOR LEG	31	18	F1885	HEX CAP SCREW, 5/16 - 18 X 4 1/4	35	6
F178344	BUSHING, SHOCK ABSORBER UPPER	47	62	F1892	STOP NUT	9	52
F178362	BEARING	45	42	F1904	PLAIN WASHER	31	23
F178446	CLAMP	45	10	F1907	PLAIN WASHER	35	7
F1788	STOP NUT	35	15	F1910	STOP NUT, 1/4 - 20	17	31
F17932	SEAL, FUEL TANK ADAPTER	41	9	F19109	PLUG	25	73
F17978	BUSHING	43	3	F19109	PLUG, GEAR HOUSING	37	31
F17979	SWIVEL	43	4	F1912	HEX HD SCREW, 10 - 24 X 1/2	33	53
F18160-2	REED	23	28	F1916	HEX HD SCREW, 1/4 - 20 X 1 1/8	17	25
F1822	HEX BOLT, 5/16 - 18 X 7/8	33	46	F1931	STOP NUT, 1/2 - 20, STAINLESS STEEL	47	56
F1822	HEX CAP SCREW, 5/16 - 18 X 7/8, STAINLESS STEEL	47	59	F1934	FLAT HD SLOTTED SCREW, 6 X 1/2	9	50
F1832	STOP NUT, 1/4 - 20	25	59	F1934	SWITCH PLATE RETAINER SCREW	45	19
F184033-1	CHOKE ARM SWIVEL	21	85	F1936	SPACER, BEVEL GEAR FRONT .059	35	28
F184579	SEAL, CHOKE ARM SWIVEL	19	82	F1937	SPACER, BEVEL GEAR FRONT .062	35	-
F1849	HEX HD CAP SCREW, 1/4 - 20 X 1 3/8	5	37	F1938	SPACER, BEVEL GEAR FRONT .065	35	-
F1849	HEX HD SCREW, 1/4 - 20 X 1 3/8	25	77	F1939	SPACER, BEVEL GEAR FRONT .068	35	-
F1851	FILL HD SCREW W/LOCKWASHER, 10 - 24 X 1/2	7	39	F1940	SPACER, BEVEL GEAR FRONT .071	35	-
F1854	HEX CAP SCREW, 1/4 - 20 X 5/8	3	19	F1941	SPACER, BEVEL GEAR FRONT .074	35	-
F1856	PLAIN WASHER	39	72	F1942	SPACER, BEVEL GEAR FRONT .077	35	-
F1857	HEX CAP SCREW, 5/16 - 18 X 5/8	3	17	F195/	REMOTE CONTROL CABLES	54	-
F1857	HEX CAP SCREW, 5/16 - 18 X 5/8	3	29	F1950	HEX HD SCREW, 10 - 24 X 5/8	25	81
F1858	HEX CAP SCREW, 5/16 - 18 X 1	3	18	F1953	ELASTIC STOP NUT, 5/8 - 18	45	41
F1858	HEX CAP SCREW, 5/16 - 18 X 1	37	39	F1953	HEX HD SCREW, 1/4 - 20 X 1	21	94
F1860	SLOTTED BINDING HD SCREW, 6 - 32 X 1/4	17	1	F1959	FERRY HD CAP SCREW, 1/4 - 20 X 1 3/4, STAINLESS STEEL	45	30
F1864	HEX HD SCREW, 1/4 - 20 X 3/4	27	90	F1960	PLAIN WASHER	47	57
F1864	HEX SLOT HD. SCREW, 1/4 - 20 X 3/4	31	4	F1966	PLUG, SWIVEL BRACKET	45	16
				F1968	FLYWHEEL NUT	29	21
				F1975	SPRING LOCKWASHER	7	10
				F1975	SPRING LOCKWASHER	11	26
				F197787-3	FUEL LINE COUPLER	41	3

PARTS INDEX

Part Number	Description	Pg.	Ref. No.	Part Number	Description	Pg.	Ref. No.
F1987	PLAIN WASHER	25	66	F269319	BEARING	17	32
F1987	PLAIN WASHER	33	57	F284659-2	CRANKSHAFT THRUST BEARING UPPER	29	22
F1990	HEX CAP SCREW	39	-	F289446-1	CLAMP	7	12
F1990	HEX CAP SCREW, 1/4 - 20 X 1 5/8	37	61	F298788	FERRULE	41	4
F1994	HEX SOCKET HD CAP SCREW, 5/16 - 18 X 1	37	37	F299449-4	SWITCH TOGGLE	45	18
F1997	STOP NUT, 8 - 32	17	40	F2A404757	CYLINDER DRAIN REED PLATE	23	27
F1999	HEX CAP SCREW, 1/4 - 20 X 7/8	23	42	F2A498023	BEVEL GEAR FRONT W/BEARING	35	29
F1999	HEX CAP SCREW, 1/4 - 20 X 7/8	37	55	F2A498662	BEVEL GEAR REAR W/BEARING CAGE, SPACER AND BEARING	35	22
F2000	HEX CAP SCREW, 5/16 - 18 X 3/4	9	47	F2A523239	SPOOL, PROPELLER SHAFT BEARING W/SEALS	35	11
F2001	FILL HD SCREW, 10 - 24 X 5/8	7	9	F2A550706	GEAR HOUSING COVER W/SEAL	37	53
F2008	HEX HD SCREW, 1/4 - 20 X 7/8	17	24	F307317	CLIP, TERMINAL BLOCK	7	17
F2015	HEX NUT, 1/4 - 28	23	19	F316555	GEAR HOUSING SEAL	27	-
F2016	FILL HD SCREW, 6 - 32 X 7/8	21	101	F316579	SEAL, CRANKCASE	29	11
F2030	HEX HD SCREW, 1/4 - 20 X 1 1/4	33	44	F316599	SEAL, STEERING SUPPORT TUBE	31	32
F203276	BOOT	11	30	F321756	PACKING	3	25
F2033	GROOVE PIN	21	87	F321841-3	LEAD WIRE	11	32
F203673	TERMINAL CLIP	11	31	F333316	THROTTLE ROLLER SHAFT	19	49
F2042	PLAIN WASHER	23	3	F333480-1	RETAINER, ENGINE COVER	3	31
F2047	WAVE SPRING WASHER	3	24	F335215	SPACER, PISTON PIN (2 PER PISTON)	29	3
F2066	PAN HD TAPPING SCREW, 10 X 7/16	3	32	F335217-1	BEARING PISTON PIN (26 PER SET)	29	5
F2067	PLASTISOL CAP (NOT SHOWN)	29	-	F335654-1	DEFLECTION STOP	3	15
F2088	FASTENER	5	36	F338618-1	GEAR SHIFT ROD SEAL	39	-
F2089	SLOTTED PAN HD MACHINE SCREW, 10 - 24 X 5/16	27	101	F338618-1	SEAL, GEAR SHIFT ROD	31	17
F2090	PLUG	25	64	F338618-1	SEAL, GEAR SHIFT ROD	37	56
F2093	3/8 - 24 STOP NUT	43	1	F345475-1	COIL	9	44
F2108	LOCK NUT, 5/16 - 18	33	56	F345683	WIRE, REGULATOR - RECTIFIER GROUND	7	5
F2108	STOP NUT, 5/16 - 18	25	58	F351307	SEAL, WATER PUMP	37	64
F2113	SPACER, BEVEL GEAR FRONT .080	35	-	F353480	STUD	31	25
F2114	SPACER, BEVEL GEAR FRONT .083	35	-	F369529-1	CYLINDER HEAD GASKET	25	74
F2115	SPACER, BEVEL GEAR FRONT .086	35	-	F369529-1	CYLINDER HEAD GASKET	27	-
F2116	SPACER, BEVEL GEAR FRONT .089	35	-	F369610	BEARING	25	53
F2121	SPACER, BEVEL GEAR FRONT .057	35	-	F369887	SHOULDER SCREW	25	52
F2122	SPACER, BEVEL GEAR FRONT .054	35	-	F369977-1	INTERLOCK ARM	25	54
F213274	GREASE FITTING	11	27	F381896-4	BATTERY CABLE	7	30
F213274	GREASE FITTING	31	33	F391926-1	CHOKE SOLENOID PLUNGER	21	89
F213342	SEAL, FUEL LINE COUPLER (LARGE)	41	1	F391983	BAND, RETAINING	9	51
F213735	SEAL, FUEL LINE COUPLER (SMALL)	41	2	F3A523158	REED PLATE W/REEDS, REED STOP AND SCREW	17	19
F24278	PROPELLER SHAFT SPOOL SEAL	39	-	F40209	CARBURETOR STUD	17	36
F24278	SEAL, "O" RING PROPELLER SHAFT SPOOL	35	10	F40223	GASKET, TRANSFER PORT COVER	23	41
				F40223	TRANSFER PORT COVER GASKET	27	-
				F40278	SEAL, CYLINDER	45	37
				F404097	FLYWHEEL	7	1
				F404268	SPRING, BY-PASS VALVE	25	84
				F404470-1	REGULATOR - RECTIFIER	7	8
				F404513	COIL CLAMP	7	40

PARTS INDEX

Part Number	Description	Pg.	Ref. No.	Part Number	Description	Pg.	Ref. No.
F404801	FITTING	23	36	F480551-1	BRACKET INTERLOCK SWITCH	21	95
F404841	CABLE, HEAT INDICATOR	7	37	F480818	BEARING, LATCH SHAFT	3	7
F40689-1	BEARING, TOWERSHAFT	25	60	F481061-2	CARBURETOR COMPLETE (WB-21C)	19	72
F407446	CLAMP	7	31	F481382-1	SPACER, LATCH SHAFT	3	23
F413420	RETAINER SWITCH PLATE	45	17	F481434	GUIDE, ENGINE COVER	3	35
F433209-1	STUD	17	30	F481567	CARBURETOR INTAKE ADAPTER	19	55
F433253	HOSE	23	37	F481774	BRACKET, ENGINE COVER LATCH	3	26
F438066	BY-PASS VALVE COVER	25	82	F481777	CAM, LATCH SHAFT	3	22
F438129	SEAL, DRIVESHAFT SPLINE	39	71	F481836	INTAKE GASKET	19	70
F438165	SCREW, FUEL PUMP BOWL	17	15	F481836	INTAKE GASKET	27	-
F438169	BEARING	31	37	F481860-1	CARBURETOR, INTAKE	19	57
F438271	RETAINER, CRANKSHAFT SPLINE SEAL	39	70	F498618	GEAR SHIFT ARM PIN SEAL	39	-
F438346	SHOCK MOUNT, LOWER	33	49	F498618	SEAL	37	33
F438398	DECAL, WIRING - U.S.A.	25	75	F498891	PIN, GEAR SHIFT ARM	37	32
F438500	FUEL SEDIMENT BOWL	17	14	F498891	PIN, PROPELLER NUT RETAINING	35	14
F438617	FUEL SEDIMENT BOWL GASKET	17	13	F499995	CYLINDER HEAD COVER	25	68
F438653	FUEL SEDIMENT BOWL SCREEN	17	12	F500509	LINK, DUAL STEERING	43	13
F438668	RETAINER, CABLE CLAMP	7	13	F50109	PLUG, GEAR HOUSING	37	44
F438744-1	WIRING HARNESS	7	4	F501881	LINK, DUAL STEERING STARBOARD	43	7
F438747	FUEL PUMP DIAPHRAGM	17	7	F50342-1	BEARING CAGE BOLT SEAL	39	-
F438754	FUEL LINE	19	79	F50342-1	SEAL, BEARING CAGE BOLTS	35	8
F438760	FUEL PUMP GASKET	17	8	F506118	PROPELLER SHAFT SEAL	39	-
F438801	FITTING	17	5	F506118	SEAL, DRIVESHAFT	37	52
F438930	RETAINER, SNOOT	37	36	F506118	SEAL, PROPELLER SHAFT	35	9
F438962	SHOCK MOUNT SIDE	31	15	F510374	DECAL, CIRCUIT BREAKER - U.S.A.	7	41
F439736	SEAL, EXHAUST TUBE	31	10	F510460	CIRCUIT BREAKER	7	22
F449010	CYLINDER	45	38	F511125-2	TUBE, STEERING SUPPORT	31	31
F449181	PLATE, POWER TRIM SWITCH	45	15	F511675	STARTER BRACKET, LOWER	15	15
F449253-1	HYDRAULIC LINE, TRIM CYLINDER, LOWER	45	44	F523031	GASKET, WATER PUMP	37	57
F449254	HYDRAULIC LINE, TRIM CYLINDER, UPPER	45	29	F523031	GASKET, WATER PUMP	39	-
F449278	PISTON SEAL	45	36	F523057	BEARING, DRIVESHAFT LOWER	37	66
F449342	SEAL, PISTON SHAFT	45	34	F523065	IMPELLER	39	-
F449354	THRUST BRACKET	45	31	F523065	WATER PUMP IMPELLER	37	59
F449545-2	CYLINDER, HOUSING	45	40	F523094-2	PROPELLER NUT	35	13
F449632	SHAFT	45	43	F523099-1	SPACER, PROPELLER	35	19
F449754-1	HYDRAULIC LINE, LIFT CYLINDER, LOWER	47	46	F523116	EXHAUST SNOOT	37	38
F449758	HYDRAULIC LINE, LIFT CYLINDER, UPPER	45	45	F523133-2	MOTOR LEG	31	16
F449843	CABLE	45	8	F523146	SEAL, CRANKSHAFT LOWER	29	13
F449889	SHAFT, UPPER	47	58	F523188	NUT, BEVEL PINION RETAINING	37	34
F460917	STARTER RELAY	7	26	F523244	INLET WATER LINE	35	5
F474073-1	CLAMP SCREW	31	27	F523273	STUD, STEERING BALL	43	9
F474387	TIMING DECAL	9	56	F523274	GREASE FITTING	31	30
F476066-1	COVER, THERMOSTAT	25	47	F523280	NUT, STEERING SUPPORT TUBE	31	39
F476067	GASKET, THERMOSTAT COVER	27	94	F523300-1	SPRING, STEERING LINK	43	8
F476067	THERMOSTAT COVER GASKET	27	-	F523411	RETAINING RING	35	23
F480038-2	SUPPORT PLATE	3	9	F523451	SPACER, REED STOP	17	34
F480107-1	CAM, STARTER INTERLOCK	27	102	F523498	DRIVE KEY, WATER PUMP	37	68
F480388	DISC, WATER PUMP LOCATING	37	62				
F480518	CYLINDER HEAD	25	72				

PARTS INDEX

Part Number	Description	Pg.	Ref. No.	Part Number	Description	Pg.	Ref. No.
F523498	KEY	39	-	F5H032	SWITCH KIT - WIPER	54	-
F523555	GEAR HOUSING COVER SEAL	39	-	F5H034	SWITCH KIT - BILGE PUMP	54	-
F523555	SEAL, "O" RING - GEAR HOUSING COVER	37	49	F5H035	SWITCH KIT - HORN	54	-
F523562	PLATE, WATER PUMP	39	-	F5H037	CIGAR LIGHTER	55	-
F523562	WATER PUMP BACK PLATE	37	58	F5H038	IGNITION SWITCH MOUNTING KIT (ACCESSORY ITEM)	9	49
F523705	GEAR SHIFT ROD LOWER	37	46	F5H038	SWITCH KIT - IGNITION SWITCH	55	-
F523813	BEARING CUP	35	30	F5H039	SWITCH KIT - INSTRUMENT LIGHT	55	-
F523834	CLIP, SPARK PLUG WIRE	23	5	F5H040	STEEL, 12 GALLON FUEL TANK	54	-
F523899	GROMMET, WATER LINE	35	4	F5H041	BATTERY TERMINAL KIT	55	-
F523930	RETAINER, STUD STEERING BALL	43	10	F5H041	BATTERY TERMINAL KIT ACCESSORY ITEM	7	32
F523961	CRUSH RING	37	50	F5H043	OVERHEAT BUZZER	54	-
F523962	SHOCK MOUNT	9	46	F5H043	OVERHEAT BUZZER (ACCESSORY ITEM)	7	36
F528068	THERMOSTAT	25	70	F5H068	RFI SUPPRESSION KIT	55	-
F530160	REED (5 PETAL)	17	18	F5H070	REMOTE ELECTRIC CABLE	55	-
F532299	WASHER, PROPELLER SPLINE	35	17	F5H075	WIRING HARNESS - IGNITION SWITCH ("24")	55	-
F53504	GROMMET	19	58	F5H076	SWITCH EXTENSION CABLE 5'	56	-
F545189	BUSHING, CABLE ENTRY	3	11	F5H077	IGNITION KEY SWITCH	55	-
F548984	BLANKET, SILENCER TOP (NOT SHOWN)	3	-	F5H078	IGNITION KEY SWITCH IGNITION SWITCH (LONG BARREL) W/KEYS AND SCREWS	7	34
F548985	BLANKET, SILENCER SIDE (NOT SHOWN)	3	-	F5H081	BATTERY CABLE	55	-
F549189	BUSHING, ELECTRIC CABLE	3	10	F5H094	STEERING LINK KIT	54	-
F563	TERMINAL BLOCK KIT	56	-	F5H108	STEERING CONNECTOR	56	-
F590	REMOTE CONTROL HEAD (SINGLE LEVER) (FLUSH MOUNT)	54	-	F5H112	INSTRUMENT ADAPTER - 3 1/2"	56	-
F5H002	SPEEDOMETER FLUSH MOUNT	56	-	F5H119	PROPELLER SPACER - FLARED	55	-
F5H003	SPEEDOMETER FLUSH MOUNT	54	-	F5H120	REMOTE CONTROL BLACK PLATE	56	-
F5H004	SPEEDOMETER FLUSH MOUNT	56	-	F5H130	REMOTE CONTROL BOX (SINGLE LEVER) (SURFACE MOUNT)	54	-
F5H005	TEMPERATURE GAUGE FLUSH MOUNT	55	-	F5H131	PORT SIDE DECAL KIT	54	-
F5H006	VOLTMETER - FLUSH MOUNT	55	-	F5H134	BOAT WHITE LACQUER	54	-
F5H007	HOURLY METER - FLUSH MOUNT	55	-	F5H135	SAND TAN LACQUER	55	-
F5H008	FUEL GAUGE FLUSH MOUNT	55	-	F63754	HOSE INTAKE DRAIN	19	63
F5H010	POWER TRIM INDICATOR	54	-	F7004	STOP NUT, 3/18 - 16	23	24
F5H012	TACHOMETER FLUSH MOUNT	55	-	F7012	LOCK NUT, 1/2 - 20	31	21
F5H014	FLUSHING ADAPTER	54	-	F7013	STOP NUT	11	2
F5H018	DUAL ENGINE TIE BAR	54	-	F74305	GEAR HOUSING COVER SEAL	39	-
F5H019	ANTI-CORROSION KIT	54	-	F74305	SEAL, DRIVESHAFT BEARING CAGE	37	51
F5H021	EXTENSION CABLE	55	-	F762	REMOTE ELECTRIC CABLE	55	-
F5H025	ANTI-CORROSION SACRIFICIAL ANODE	54	-	F8003	PLAIN WASHER	23	30
F5H026	STEEL, 6 GALLON FUEL TANK (LOW PROFILE)	54	-	F8011	PLAIN WASHER	7	20
F5H028	SENDING UNIT	55	-	F8026	PLAIN WASHER	21	-
F5H029	TANK ANCHOR	54	-	F8028	PLAIN WASHER	15	13
F5H030	SWITCH KIT - RUNNING LIGHTS	54	-				
F5H031	SWITCH KIT - SPOT LIGHT	54	-				

PARTS INDEX

Part Number	Description	Pg.	Ref. No.	Part Number	Description	Pg.	Ref. No.
F8038	PLAIN WASHER	27	104	F85037-1	STERN BRACKET PIVOT BOLT	31	41
F8038	PLAIN WASHER	43	2	F85095-2	STATOR	7	3
F8039	PLAIN WASHER	33	59	F85117	BRACKET, WATER LINE	35	2
F8056	LOCKWASHER	11	18	F85122	CRANKCASE SEAL	27	-
F8056	LOCKWASHER	11	43	F85122	PARTING LINE SEAL	27	93
F8056	SPRING LOCKWASHER	7	7	F85130	BOOT, IDLE EXHAUST	31	7
F8056	SPRING LOCKWASHER	25	87	F85151-1	EXHAUST PORT PLATE	25	80
F8058	INTERNAL TOOTH LOCKWASHER	17	27	F85152-4	EXHAUST PORT COVER	25	78
F8058	INTERNAL TOOTH LOCKWASHER	25	48	F85154-1	EXHAUST PORT PLATE GASKET	27	-
F8077	WASHER	39	-	F85154-1	GASKET, EXHAUST PORT PLATE	25	79
F8077	WASHER, GEAR HOUSING PLUG	37	43	F85159	GASKET, INTAKE MANIFOLD	17	22
F8080	#8 SPRING LOCKWASHER	43	11	F85159	MANIFOLD GASKET	27	-
F8083	SPRING LOCKWASHER	3	20	F85161-1	REED STOP	17	17
F8083	SPRING LOCKWASHER	9	43	F85162	REED PLATE ADAPTER	17	21
F8083	SPRING LOCKWASHER	37	54	F85168	CARBURETOR ADAPTER FLANGE GASKET	27	-
F8083	SPRING LOCKWASHER	39	-	F85168	GASKET REED PLATE ADAPTER	17	20
F8083	SPRINK LOCKWASHER	31	3	F85173	RETAINING RING	11	6
F8088	PLAIN WASHER	21	102	F85192-1	THROTTLE CAM	17	33
F8088	PLAIN WASHER	21	83	F85210	STUD	27	91
F8094	PLAIN WASHER	3	21	F85211	STUD, REAR	23	46
F8095	PLAIN WASHER	25	62	F85253-1	FUEL LINE	21	88
F8096	SPRING LOCKWASHER	3	16	F85258	INSERT	31	8
F8096	SPRING LOCKWASHER	3	28	F85279-2	CYLINDER EXHAUST GASKET, UPPER	25	51
F8096	SPRING LOCKWASHER	7	25	F85279-2	CYLINDER, EXHAUST - UPPER GASKET	27	-
F8096	SPRING LOCKWASHER	33	47	F85311	DISTRIBUTOR BELT	11	1
F8096	SPRINK LOCKWASHER	37	40	F85314-1	FUEL FITTING	21	92
F84011	WASHER	31	42	F85317-1	CLAMP	21	90
F84031	WATER PUMP GASKET	27	-	F85372	PIN, GEAR SHIFT ROD LOWER	37	48
F84074	CLAMP SCREW FOOT	31	26	F8538	SPRING PIN	31	28
F84146-2	SEAL	29	20	F85380	SPRING	31	6
F84278	CRANKSHAFT BRG. SEAL CAGE SEAL	27	-	F85410	SNAP RING	29	8
F84278	SEAL, CRANKSHAFT BEARING CAGE	29	17	F85445	DISTRIBUTOR CONTROL ROD	23	18
F84286-1	FRICTION WASHER	31	34	F85472-2	CYLINDER DRAIN COVER GASKET	27	-
F84305	PROPELLER SHAFT SPOOL SEAL	39	-	F85472-2	GASKET, CYLINDER DRAIN COVER	23	32
F84305	SEAL, PROPELLER SHAFT BEARING SPOOL	35	12	F85498	FLYWHEEL KEY	29	16
F84307-1	DRIVE SHAFT SEAL	39	-	F85502	THROTTLE LINK	23	8
F84314-2	ELBOW	17	3	F85509-1	CHOKE LINK	19	78
F84314-2	ELBOW	23	22	F85571	BEARING CAGE W/ROLLER	29	10
F84342	SEAL, INLET WATER LINE UPPER	35	3	F85606	KINGPIN CAP	33	43
F84449	INTERLOCK SWITCH	21	98	F85610	BEARING	25	56
F84504	GROMMET	25	71	F85615	GEAR SHIFT ROD UPPER	33	55
F84504	THERMOSTAT GROMMET	27	-	F8563	DOWEL PIN	27	92
F84521-1	CLUTCH	35	27	F85634-2	CONNECTING ROD SCREW	29	14
F84792	GASKET, FUEL PUMP VALVE	17	10	F85660-1	EXHAUST TUBE	31	2
F84871-1	PIN, GEAR SHIFT	35	25	F85664	DISTRIBUTOR GROUND	11	28
F85017	PISTON PIN	29	4	F85664	GROUND WIRE	9	54
F85026	SWIVEL	23	21	F85704	COUPLER, GEARSHIFT ROD UPPER	33	48
F85033	CHOKE ROD SWIVEL	19	81				
F85035	DISTRIBUTOR CONTROL ROD END	23	20				

PARTS INDEX

Part Number	Description	Pg.	Ref. No.	Part Number	Description	Pg.	Ref. No.
F85748-2	GASKET, CYLINDER DRAIN REED PLATE	23	25	FA480894	TIMING POINTER	23	1
F85762	BY-PASS VALVE GASKET	27	-	FA481469	ENGINE COVER LATCH HANDLE W/SHAFT	3	6
F85762	GASKET, BY-PASS VALVE	25	83	FA481743	BRACKET, ROLLER LATCH	3	27
F85772	CLAMP	31	5	FA498266	BEVEL PINION GEAR W/CRUSH RING AND SHIMS	37	35
F85779-1	BAFFLE, AIR INTAKE	33	52	FA510497	TERMINAL BLOCK	7	15
F85836-1	INTAKE GASKET	27	-	FA523014	CRANKSHAFT LOWER MAIN BEARING W/SEAL	29	12
F85843-1	REMOTE ELECTRIC CABLE, 18 FEET	7	38	FA523054	GEAR HOUSING	37	42
F85859	STUD, FORWARD	23	23	FA523098	PROPELLER SHAFT	35	24
F85906	CARBURETOR GASKET	17	35	FA523485	ANTI-CORROSION ANODE	35	21
F85906	CARBURETOR GASKET	27	-	FA523735	SEAL, INLET WATER LINE LOWER W/LITERATURE	37	65
F85908	STARTER LEAD WIRE	15	19	FA535395	IDENTIFICATION PLATE W/SCREWS FOR U.S.A. MODELS	3	12
F85916-1	BY-PASS VALVE	25	85	FA549944	ENGINE COVER W/RETAINER, SCREWS AND NUTS	3	5
F85924	CHOKE SOLENOID	7	28	FA84621-1	COUPLING, GEAR SHIFT ARM W/BUSHING	37	45
F85925	CHOKE ROD	21	86	FA84754-1	FUEL LINE SHORT W/FERRULES	41	5
F85965	SHOCK MOUNT, UPPER	33	54	FA85018-2	CRANKSHAFT W/BEARING	29	15
F89758	FUEL PUMP AIR HOSE, TOP	17	4	FA85019	KINGPIN W/PLUG	31	36
F9018	CAP	31	40	FA85193	TIE BAR END W/SWIVEL	17	43
F9052	PLUG	31	29	FA85355-1	WASHER, SHOCK MOUNT UPPER	33	58
F90619-1	YOKE	39	73	FA85511	THROTTLE TIE BAR W/SWIVEL	19	44
F90807	RETAINING RING	19	47	FA85655-1	CRANKSHAFT MAIN BEARING RACE W/SNAP RING	29	9
F9095	SHIM, DRIVESHAFT BEARING UPPER .005 - SILVER	37	-	FA85838-5	TOWERSHAFT W/BEARINGS, SWIVEL, ARMS AND SCREW	23	10
F9097	SHIM, DRIVESHAFT BEARING UPPER .010 - BLACK	37	-	FB368700	IGNITION KEY - STAMPED B	9	-
F9106	SHIM, DRIVESHAFT BEARING UPPER .033 - BRASS	37	67	FC368700	IGNITION KEY - STAMPED C	9	-
F91446-1	CIRCUIT BREAKER BRACKET	7	21	FC550054	GEAR HOUSING COMPLETE	37	-
F92759	THROTTLE ROLLER	19	48	FD368700	IGNITION KEY - STAMPED D	9	-
F93811	SCREEN	23	26	FE368700	IGNITION KEY - STAMPED E	9	-
F93920	REED STOP	23	29	FG460-1	GASKET SET	27	105
F97772	FUEL LINE CLAMP	41	8	FK1063	SEAL KIT	39	74
F97772	HOSE CLAMP	19	62	FK1069	WATER PUMP KIT	39	75
F98273	ROD END CONNECTOR STUD	25	50	FK405020	SWIVEL W/PIVOT SCREW AND NUT	23	15
FA14048-2	PREAMPLIFIER	11	17	FK550128	DRIVESHAFT W/BEARING, SHIMS AND CRUSH RING	39	69
FA15072	HEX LOCK NUT, 1/4 - 20	15	11	FK750-3	SPARKIE	13	44
FA17559	LIFT CYLINDER COMPLETE	47	47	FK85228-1	BEARING CAGE W/ROLLER	29	7
FA178962	SHOCK ABSORBER W/BUSHING	47	55	FO10165	INLET SEAT GASKET	19	75
FA321574	DISTRIBUTOR BRACKET	11	10	FO10588	BODY CHANNEL CUP PLUG	17	39
FA335260	PISTON RING SET (3 PER SET)	29	1	FO10790	INLET NEEDLE, SEAT AND GASKET	19	76
FA368700	IGNITION KEY - NO LETTER OR STAMPED A	9	53	FO11103	IDLE SCREW SPRING	19	53
FA411222	TRANSFER PORT COVER W/PLUG	23	40	FO13430	MAIN FUEL JET (.070) OPT. 1500 FT - 3000 FT.	19	-
FA438431	FUEL PUMP BODY W/VALVES	17	11	FO13552	FUEL BOWL	19	67
FA438493	TERMINAL BLOCK BRACKET	7	11				
FA439746	FUEL PUMP COVER	17	6				
FA449015	PISTON	45	35				
FA449149	COVER W/SEALS AND RETAINER	45	33				

PARTS INDEX

Part Number	Description	Pg.	Ref. No.	Part Number	Description	Pg.	Ref. No.
FO13554	FLOAT	19	69	FT8901	INDICATOR HOLDER	50	-
FO13555	CHOKE SHUTTER	19	77	FT8902	DIAL INDICATOR	50	-
FO13944	FLOAT LEVER PIN	19	68	FT8903	SEAL INSTALLER	49	-
FO13945	FUEL BOWL RETAINING SCREW	19	65	FT8907	DRIVE HANDLE	49	-
FO13946	IDLE SCREW	19	54	FT8907	DRIVER HANDLE	50	-
FO13947	CHOKE SHAFT RETURN SPRING	19	73	FT8914	SEAL REMOVER	49	-
FO13967	MAIN FUEL JET (.068) OPT. 3000 FT. - 4500 FT.	19	-	FT8918	BEARING GUIDE SET	50	-
FO14108	MAIN FUEL JET (.064) OPT. 6000 FT. & UP.	19	-	FT8919	SPRING PIN PUNCH	50	-
FO14188	MAIN FUEL JET (.066) OPT. 4500 FT. - 6000 FT.	19	-	FT8925	SEAL INSTALLER	49	-
FO15026	MAIN FUEL JET (.072) STD. SEA LEVEL - 1500 FT.	19	52	FT8925	SEAL INSTALLER	50	-
FO15217	MAIN NOZZLE	21	93	FT8926	RING EXPANDER	49	-
FO15230	THROTTLE SHAFT AND LEVER	19	50	FT8927	SEAL PROTECTOR	49	-
FO15623	FUEL BOWL GASKET	19	71	FT8933	LIFTING HOOK	51	-
FO16008	THROTTLE SHAFT RETURN SPRING	19	51	FT8935	SEALANT PRIMER	52	-
FO16850	CHOKE SHAFT AND LEVER	19	74	FT8936	SEALANT	52	-
FO16851	THROTTLE SHUTTER	17	42	FT8948-1	PULLER	48	-
FO2510	GASKET, FUEL BOWL RETAINING SCREW	19	66	FT8948-1	PULLER	50	-
FO4326	BODY CHANNEL WELCH PLUG	17	38	FT8950	LEAKAGE TESTER	51	-
FO8942	SHUTTER SCREW W/LOCKWASHER	17	41	FT8953	IGNITION TESTER	51	-
FO8942	THROTTLE SHUTTER SCREW AND LOCKWASHER	21	96	FT8955	SEALANT	52	-
FPS524	PROPELLER, (ACCESSORY ITEM)	35	18	FT8957	SEAL INSTALLER	50	-
FS409752	FUEL LINE COMPLETE	41	-	FT8969	LUBRICANT	52	-
FS480955	STARTER COMPLETE	15	-	FT8978	TIMING LIGHT	51	-
FS500510	LINK, DUAL STEERING	43	14	FT8985	SEAL INSTALLER	50	-
FS548179	TRIM, TOP	3	1	FT8993	SEALANT	52	-
FS548180	TRIM, REAR	3	4	FT8997	SHIMMING TOOL SET	50	-
FS548269	TILT HANDLE	3	3	FTA2937-1	TIMING TOOL	48	-
FS548888	TRIM, FRONT	3	33	FTK8999	TEST WHEEL	51	-
FSA335260	PISTON RINGS (3 PER SET) .010 OVERSIZE	29	-	T11227	DARK BROWN	53	-
FT1082	SNAP RING PLIER	49	-	T11228	DARK METALLIC BROWN	53	-
FT11204	BEARING CUP INSTALLER	50	-	T11229	SAND TAN	53	-
FT11205	BEARING INSTALLER/REMOVER	50	-	T11230	ORANGE	53	-
FT11207	BEARING CUP REMOVER	50	-	T11231	GOLD	53	-
FT11209	BEARING GUIDE SET	50	-	22-817789A1	DRAIN FITTING W/METERING CUP	19	64
FT2951	CIRCUIT TRACER	48	-	22-818103--1	ELBOW	19	61
FT2953	SOCKET	49	-	31-817785A2	CRANKSHAFT BEARING CAGE W/SEAL	29	18
FT2961	LUBRICANT	52	-	32-817738A1	FUEL LINE LONG W/CLAMP AND FERRULE	41	7
FT2962-1	SEALANT	52	-	33-97180	SPARK PLUG (CHAMPION L-20-V) U.S.A.	25	65
FT2963-1	SEALANT	52	-	39-818110A1	PISTON RINGS (3 PER SET) .030 OVERSIZE	29	-
FT2987-1	LUBRICANT	52	-	46-817853A1	WATER PUMP	39	-
FT2990	PISTON PIN TOOL	49	-	46-817853A1	WATER PUMP BODY W/DRIVESHAFT SEAL, DISC AND WATER LINE SEAL	37	60
FT2996	RING COMPRESSOR	49	-	84-817775A1	COIL WIRE W/TERMINAL CLIP - U.S.A.	11	29
FT3012	SEAL INSTALLER	50	-	87-817778A1	THERMOSWITCH	25	88
FT7848	TORQUING ADAPTER	50	-	300-817855A1	UNIT	9	45
				600-818052A4	CONNECTING ROD W/CAP AND SCREWS	29	6
				700-817988A2	PISTON .010 OVERSIZE	29	-
				700-818111A2	PISTON .030 OVERSIZE	29	-
				700-F372015-3	PISTON	29	2
				800-817823A7	CYLINDER	25	89

PARTS INDEX

Part Number	Description	Pg.	Ref. No.	Part Number	Description	Pg.	Ref. No.
1400-817958A6	STERN BRACKET	31	20				