



PARTS CATALOG

30 H.P.

SERIAL NUMBER

30 (1980)	306B0C
30 (1980)	306H0C
30 (1980)	307B0C
30 (1980)	307H0C

TABLE OF CONTENTS:

ACCESSORIES	51
ALTERNATOR	14
CARBURETOR	16
CRANKSHAFT AND PISTON GROUP	22
ELECTRIC STARTER	8
ELECTRICAL COMPONENTS	10
ENGINE COVER AND SUPPORT PLATE (ALTERNATOR MODELS)	2
FUEL PUMP	24
FUEL TANK AND LINE	44
GEAR HOUSING	40
HAND STARTER	6
MOTOR LEG	36
PARTS INDEX	53
POWER HEAD	26
REED PLATE	20
SPECIAL TOOLS - LOWER UNIT	49
SPECIAL TOOLS - LUBRICANTS AND SEALANTS	50
SPECIAL TOOLS - POWER HEAD	47
SPECIAL TOOLS - TEST EQUIPMENT	48
SPECIAL TOOLS - TUNE-UP	46
SWIVEL BRACKET GROUP	32

NOTE: Indented description indicate that these parts are included in preceding assembly.

AR = As Required

NSS = Not Sold Separate

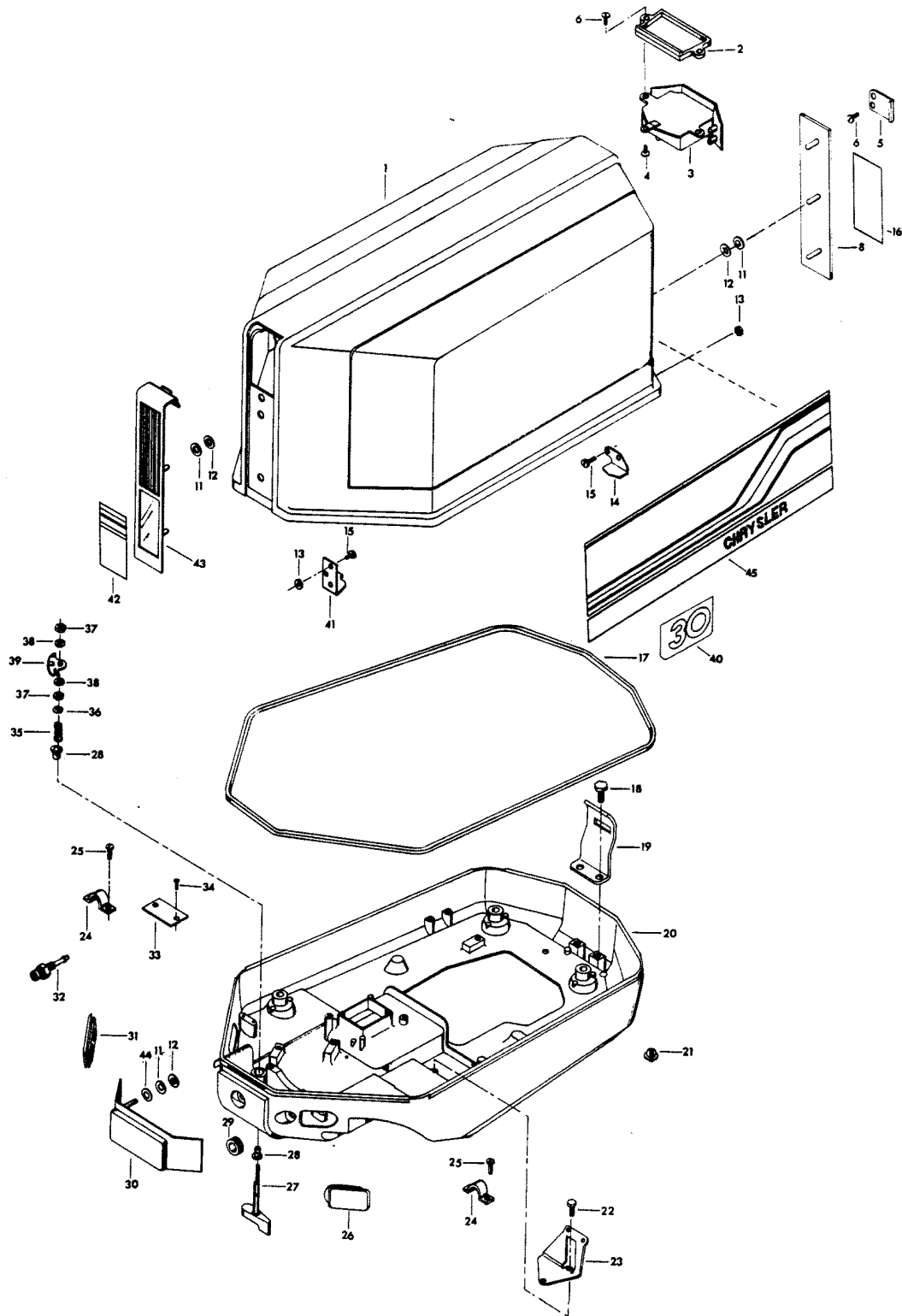
OPT = Optional

NS = Not Shown

THESE PARTS BOOKS/FICHE CARD ARE COPYRIGHTED AND MAY NOT BE DISTRIBUTED OR REPRODUCED IN ANY OTHER FORMAT BY ANYONE OTHER THAN MERCURY MARINE WITHOUT THE PRIOR WRITTEN CONSENT OF MERCURY MARINE.

THIS PAGE INTENTIONALLY LEFT BLANK

ENGINE COVER AND SUPPORT PLATE (ALTERNATOR MODELS)

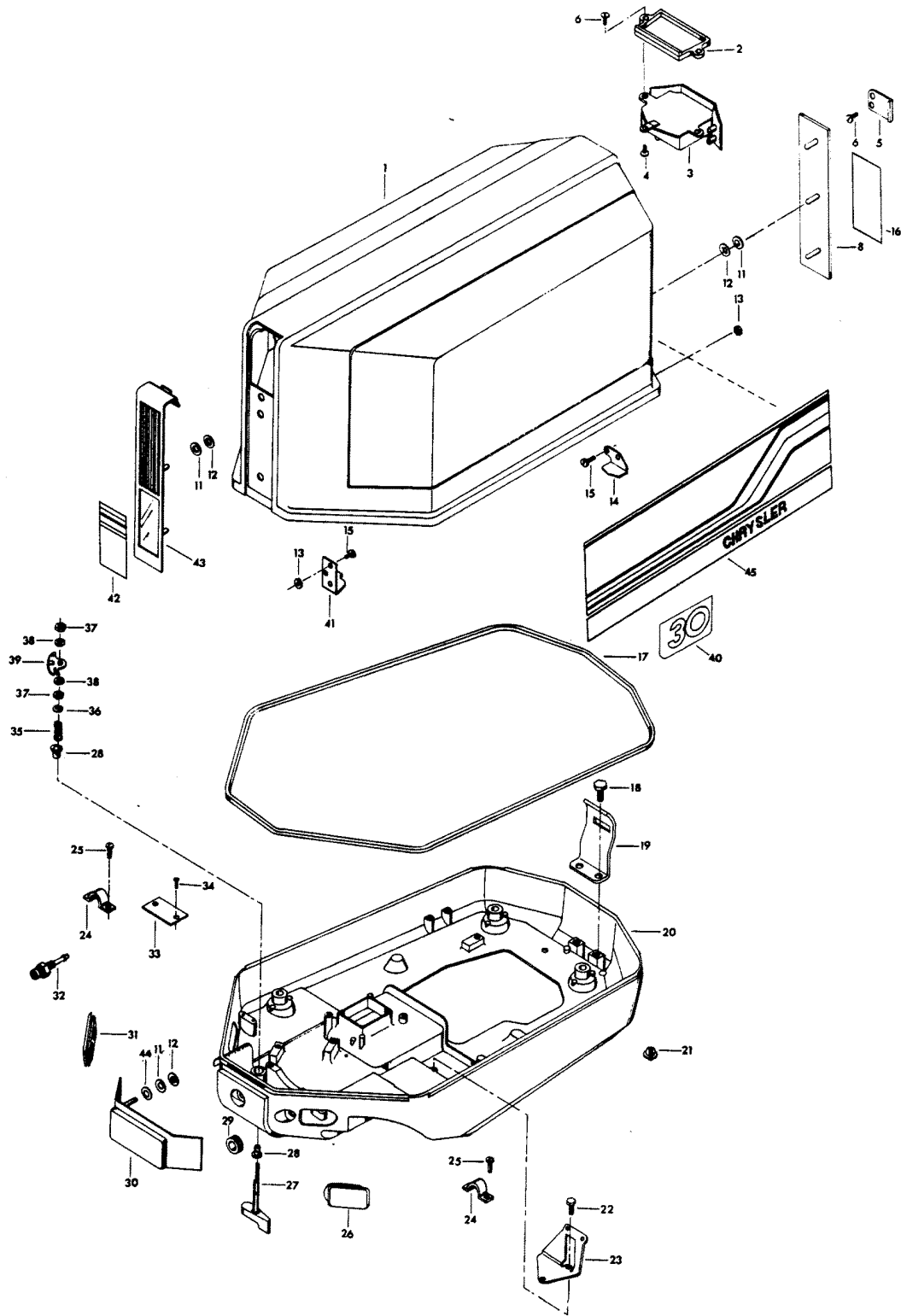


ENGINE COVER AND SUPPORT PLATE (ALTERNATOR MODELS)

REF. NO.	PART NO.	SYM.	QTY.	DESCRIPTION
1	FS529712		1	ENGINE COVER, W/FRONT AND REAR RETAINERS
-	2C573712		1	ENGINE COVER COMPLETE. INCLUDES ALL ITEMS MARKED WITH AN ASTERISK (*)
2	F458245-1		1	BAFFLE TILT HANDLE
3	F542269		1	TILT HANDLE
4	F2025		1	PAN HD SCREW, 10 X 5/8
5	F463864		2	RETAINER, TILT HANDLE
6	F2066		6	PAN HD SCREW, 10 X 7/16
8	F572180		1	TRIM, REAR
11	F85735-1		7	SEAL
12	F1753		7	FASTENER
13	F7011		4	HEX NUT, 10 - 24
14	FA458480		1	RETAINER, ENGINE COVER REAR W/SCREWS AND NUTS
15	F1475		4	FILL HD SCREW, 10 - 24 X 1/2
16	FA572528		2	DECAL, ENGINE COVER REAR W/LITERATURE
17	F85756		1	PACKING, ENGINE COVER
18	F1540		2	HEX HD MACHINE SCREW, 1/4 - 20 X 5/8
19	F461774		1	BRACKET, RETAINER REAR
20	F458038-2		1	SUPPORT PLATE
21	F1632		1	PLASTI-PLUG
22	F1545		2	HEX CAP SCREW, 1/4 - 20 X 1/2
23	F458371		1	BRACKET, REMOTE THROTTLE CABLE
24	F154317		2	CLAMP, REMOTE CABLE
25	F2107		4	SLOTTED FILL HD SCREW W/SPRING LOCKWASHER, 10 - 24 X 5/8
26	F462840		1	GROMMET, REMOTE THROTTLE CABLE
27	FA413469		1	COVER LATCH HANDLE W/SHAFT
28	F307818		2	BEARING, LATCH SHAFT
29	F53504		1	GROMMET, SUPPORT PLATE
30	F542163		1	COVER, SUPPORT PLATE
31	F462840		1	GROMMET, REMOTE SHIFT CABLE
32	F434767		1	BUSHING, FUEL LINE
33	FA538395		1	PLATE, IDENTIFICATION W/SCREWS
34	F1447		2	DRIVE SCREW
35	F183300		1	SPRING, LATCH SHAFT
36	F185764		1	RETAINING RING
37	F1515		2	HEX JAM NUT, 5/16 - 18
38	F8096		2	SPRING LOCKWASHER
39	F89777-1		1	CAM, ENGINE COVER LATCH
40	FA573386		2	DECAL, NUMERAL 30
41	FA458778		1	RETAINER, ENGINE COVER FRONT W/SCREWS AND NUTS

CONTINUED ON NEXT PAGE ➡

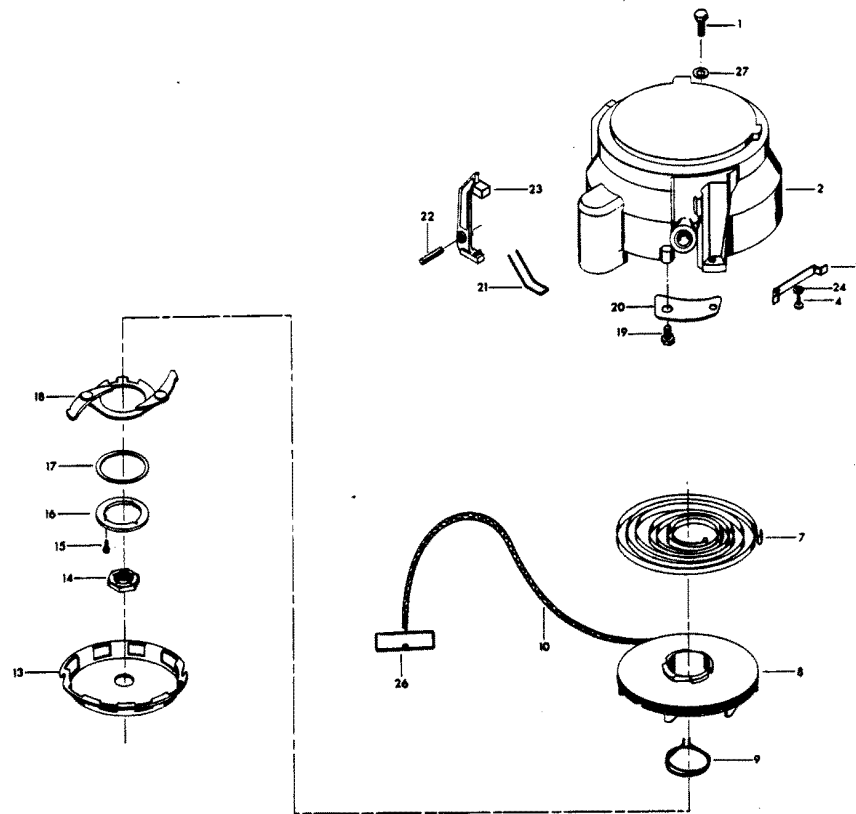
ENGINE COVER AND SUPPORT PLATE (ALTERNATOR MODELS)



ENGINE COVER AND SUPPORT PLATE (ALTERNATOR MODELS)

REF. NO.	PART NO.	SYM.	QTY.	DESCRIPTION
42	FA572892		1	DECAL, ENGINE COVER FRONT W/LITERATURE
43	FA573711		1	PLATE, FRONT
44	F8011		1	PLAIN WASHER
45	FA572397		1	DECAL, ENGINE COVER - PORT W/LITERATURE
-	FA572396		1	DECAL, ENGINE COVER - STARBOARD W/LITERATURE

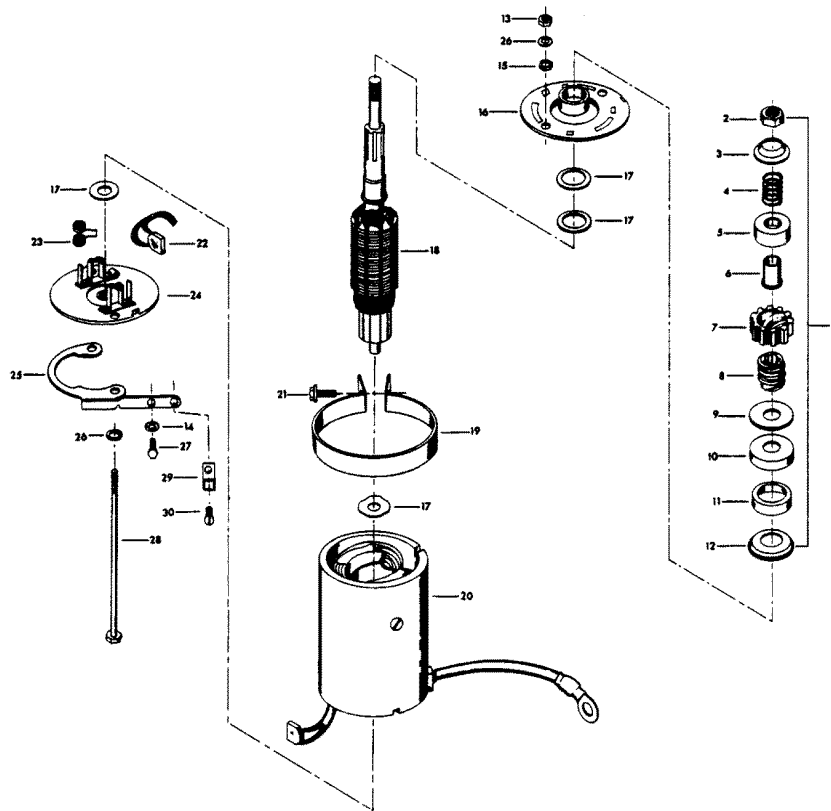
HAND STARTER



HAND STARTER

REF. NO.	PART NO.	SYM.	QTY.	DESCRIPTION
1	F1864		1	HEX HD SCREW, 1/4 - 20 X 3/4
2	817955A1		1	HOUSING, HAND STARTER
3	F458937		1	LINER, STARTER HOUSING
4	F1927		1	PAN HD SCREW, 10 - 32 X 3/8
7	F458970		1	SPRING, STARTER REWIND
8	F458239		1	STARTER PULLEY
9	F458424		1	SPRING, STARTER PAWL PLATE
10	F458232		1	STARTER ROPE
13	F458456		1	HAND STARTER COLLAR
14	F2021		1	FLYWHEEL NUT
15	F2004		3	FILL HD SCREW, 8 - 32 X 3/8
16	F458592		1	RETAINER, STARTER PULLEY
17	F9022		0	SHIM .006" (SILVER)
-	F9023		0	SHIM .007" (BRASS)
-	F9024		0	SHIM .010" (BLACK)
18	FA460423		1	STARTER PAWL PLATE ASSEMBLY
19	F2040		1	HEX HD MACHINE SCREW W/SPRING LOCKWASHER, 1/4 - 20 X 5/8
20	F4611952		1	STRAP, HAND STARTER HOUSING
21	F458846		1	SPRING
22	F1638		1	SPRING PIN
23	F458003		1	STARTER INTERLOCK LEVER
24	F8011		1	PLAIN WASHER
26	F18132-1		1	STARTER ROPE HANDLE
27	F2012		1	PLAIN WASHER

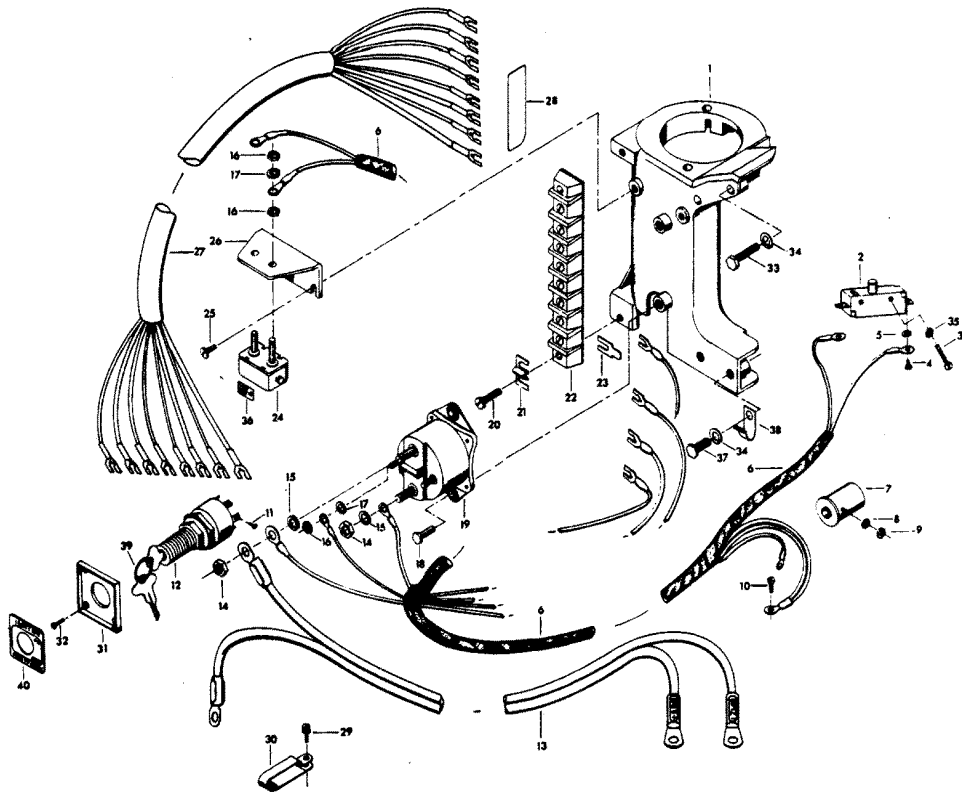
ELECTRIC STARTER



ELECTRIC STARTER

REF. NO.	PART NO.	SYM.	QTY.	DESCRIPTION
1	F15095		1	BENDIX DRIVE
2	F15087		1	HEX NUT
3	F15109		1	CUP, STOP
4	F15102		1	SPRING, ANTI-DRIFT
5	F15107		1	CUP, PINION
6	F15108		1	SLEEVE
7	F15103		1	PINION
8	F15084		1	SCREW SHAFT
9	F15091		1	WASHER
10	F15105		1	CUP, CUSHION
11	F15106		1	CUSHION
12	F15104		1	CUP, CUSHION THRUST
13	F1514		2	HEX JAM NUT, 1/4 - 20
15	F1341		2	HEX NUT, 1/4 - 20
16	F15021-1		1	HEAD ASSEMBLY DRIVE END
17	F15098		1	THRUST WASHER PACKAGE
18	F15010		1	ARMATURE
19	F460573		1	CLAMP, STARTER MOTOR
20	F15117		1	FRAME AND FIELD ASSEMBLY
21	F2040		1	HEX CAP SCREW, 1/4 - 20 X 5/8
22	F15015		1	BRUSH SET
23	F15002		1	SPRING SET
24	F15019-1		1	HEAD ASSEMBLY COMMUTATOR END
26	F8083		2	SPRING LOCKWASHER
28	F15097		1	THRU BOLT PACKAGE
-	FS460955		1	STARTER MOTOR COMPLETE. INCLUDES ALL ITEMS MARKED W/AN ASTERISK (*)
-	FC513390		1	DECAL STARTER - CANADA (NOT SHOWN)

ELECTRICAL COMPONENTS

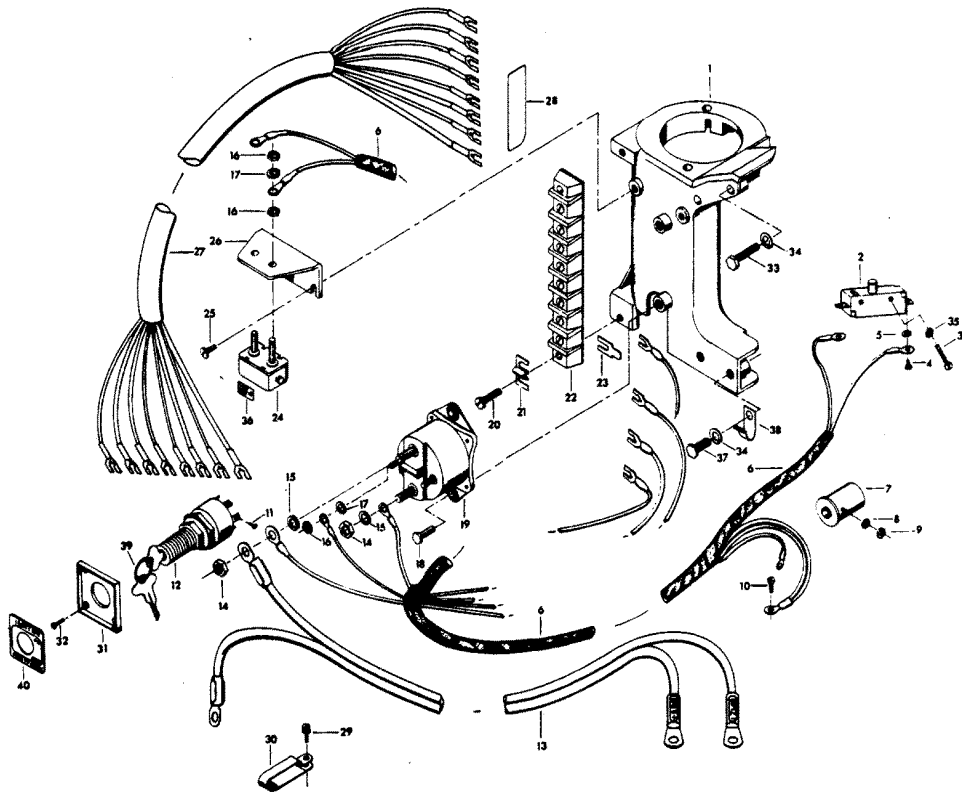


ELECTRICAL COMPONENTS

REF. NO.	PART NO.	SYM.	QTY.	DESCRIPTION
1	F460427		1	BRACKET, STARTER MOTOR
2	F84449		1	SWITCH, STARTER INTERLOCK
3	F2016		2	FILL HD SCREW, 6 - 32 X 7/8
4	F1645		2	ROUND HD SCREW, 6 - 32 X 7/8
5	F1704		2	INTERNAL TOOTH LOCKWASHER
6	F529744		1	WIRING HARNESS
7	F85924		1	CHOKE SOLENOID
8	F8056		1	SPRING LOCKWASHER
9	F1647		1	HEX NUT
10	F1077		1	FILL HD SCREW, 10 - 24 X 1/2
11	F1280		5	PAN HD SCREW, 8 - 32 X 1/4
12	F5H078		1	IGNITION SWITCH (ACCESSORY ITEM)
13	F381896-4		1	CABLE, BATTERY ENTRY
14	F1515		2	HEX NUT
15	F8096		2	SPRING LOCKWASHER
16	F1513		6	HEX NUT, 10 - 32
17	F1975		4	SPRING LOCKWASHER
18	F1854		2	HEX CAP SCREW, 1/4 - 20 X 5/8
19	F460917		1	STARTER RELAY
20	F1648		2	PAN HD SCREW, 10 - 24 X 3/4
21	F307317		1	CLIP, TERMINAL BLOCK GROUND
22	FA510497		1	TERMINAL BLOCK W/ILLUSTRATION 20 ORIGINAL FORCE P/N K 289497-2
23	F296898		2	TERMINAL
24	F510460		1	CIRCUIT BREAKER
25	F1733		2	PAN HD SCREW, 10 - 24 X 1/2 - 10 - 24 X 9/16
26	F91446-1		1	BRACKET, CIRCUIT BREAKER
27	F85843-1		1	CABLE, ELECTRIC CONTROL
28	F529398		1	DECAL, WIRING - U.S.A.
-	FC529398		1	DECAL, WIRING - CANADA
29	F1734		1	FILL HD MACHINE SCREW W/SPRING LOCKWASHER, 1/4 - 20 X 1/2
30	F407446		1	CLAMP, BATTERY CABLE
31	F411420		1	RETAINER, SWITCH PLATE
32	F1934		4	FLAT HD SLOTTED SCREW
33	F1916		3	HEX HD M. SCREW, 1/4 - 20 X 1-1/8
34	F8083		4	SPRING LOCKWASHER
35	F8088		2	PLAIN WASHER
36	F510374-1		1	DECAL, CIRCUIT BREAKER - U.S.A.
-	FC510374		1	DECAL, CIRCUIT BREAKER - CANADA
37	F1100		1	SLOTTED FILL HD SCREW, 1/4 - 20 X 1-1/8
38	F286772-1		1	CLAMP, FUEL PUMP TO CARBURETOR HOSE
39	FA368700		1	IGNITION KEY - NO LETTER OR STAMPED A
-	FB368700		1	IGNITION KEY - STAMPED B

CONTINUED ON NEXT PAGE ➡

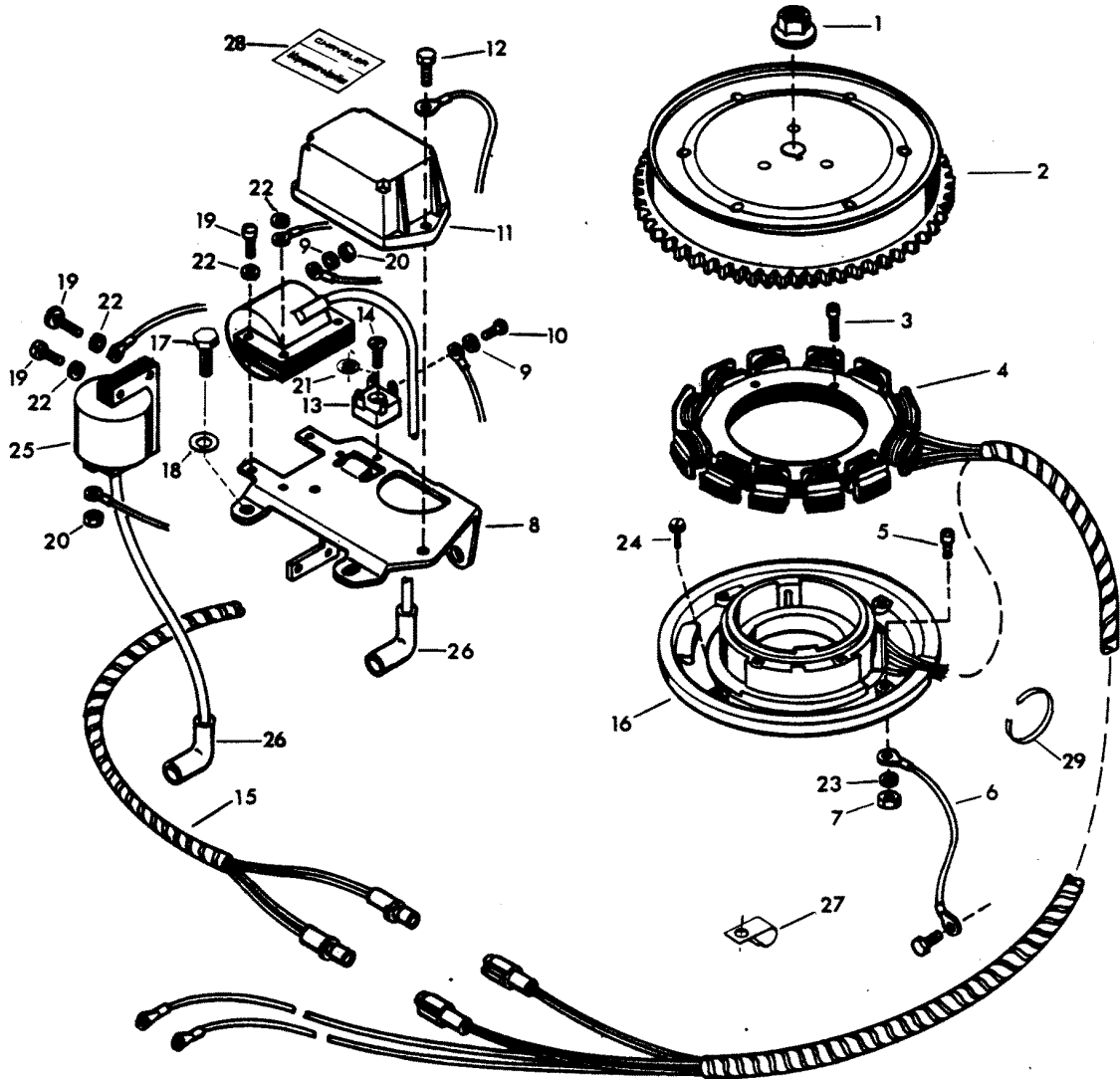
ELECTRICAL COMPONENTS



ELECTRICAL COMPONENTS

REF. NO.	PART NO.	SYM.	QTY.	DESCRIPTION
-	FC368700		1	IGNITION KEY - STAMPED C
-	FD368700		1	IGNITION KEY - STAMPED D
-	FE368700		1	IGNITION KEY - STAMPED E
40	F412181-1		1	PLATE, IGNITION - CANADA
-	817892--1		1	PLATE, IGNITION - CANADA

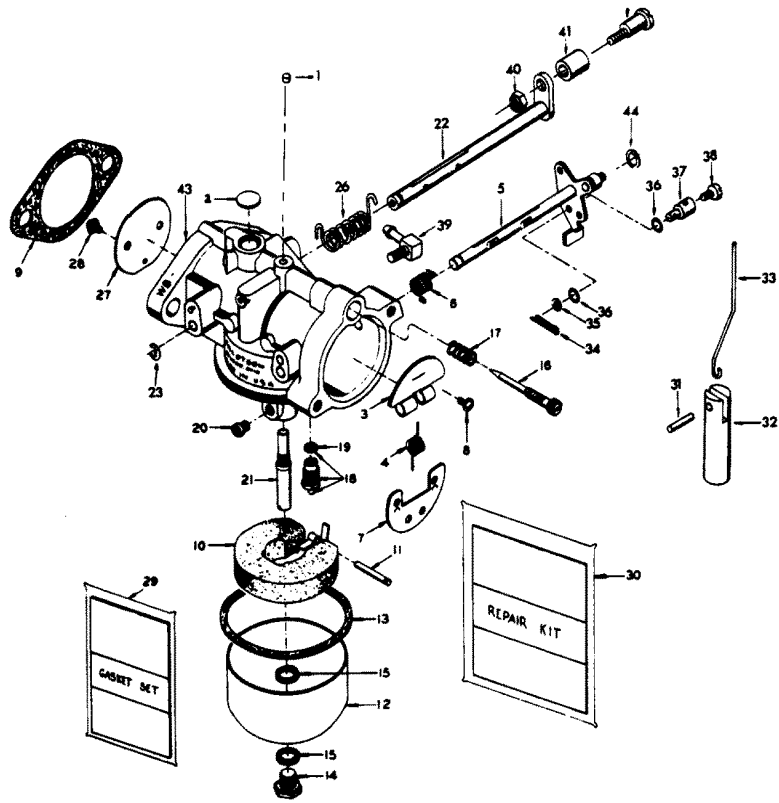
ALTERNATOR



ALTERNATOR

REF. NO.	PART NO.	SYM.	QTY.	DESCRIPTION
1	F2021		1	FLYWHEEL NUT, 5/8-18
2	F529097		1	FLYWHEEL
3	F1050		4	SLOTTED FILL HD SCREW, 10 - 24 X 1
4	F529095		1	STATOR GROUND WIRE
5	F2010		3	FILL HD SCREW, 10 - 32 X 9/16
6	F460664		1	STATOR GROUND WIRE
7	F1513		1	HEX NUT, 10-32
8	F529358		1	BRACKET, ELECTRICAL COMPONENTS
9	F1704		2	LOCKWASHER #6
10	F1645		4	ROUND HD SCREW, 6 - 32 X 1/4
11	F529301		1	C-D MODULE
12	F1746		2	HEX CAP SCREW, 1/4 - 28 X 5/8
13	F510450-1		1	RECTIFIER
14	F1552		1	PAN HD SCREW, 8 - 32 X 1/2
15	F529744		1	WIRING HARNESS
16	F529029		1	STATOR TRIGGER
17	F2008		2	HEX HD SCREW, 1/4 - 20 X 7/8
18	F2012		2	PLAIN WASHER
19	F1648		8	PAN HD SCREW, 10 - 24 X 3/4
20	F1337		2	NUT, 6 - 32
21	F8078		1	LOCKWASHER #8
22	F1975		8	LOCKWASHER
23	F8059		1	SPRING LOCKWASHER
24	F1092		1	FILL HD SCREW, 10 - 32 X 5/8
25	F510475		2	IGNITION COIL
26	FK750-3		2	SPARKIE KIT
27	F286772-1		1	CLAMP
28	510373-1		1	DECAL, MAGNAPOWER
29	F1877		1	TY-RAP

CARBURETOR

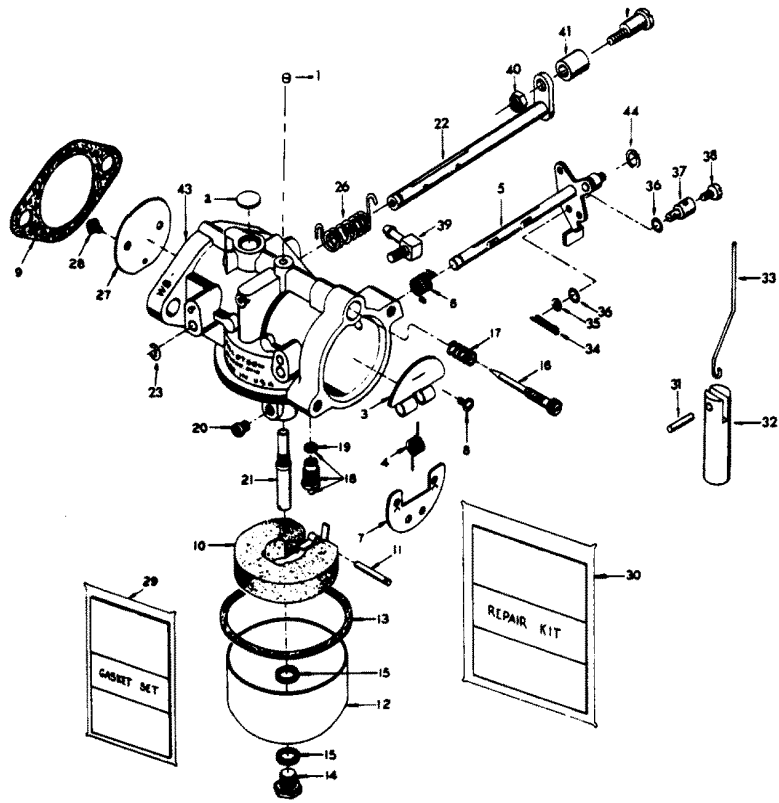


CARBURETOR

REF. NO.	PART NO.	SYM.	QTY.	DESCRIPTION
1	FO10588		3	BODY CHANNEL CUP PLUG
2	FO4326		1	BODY CHANNEL WELCH PLUG
3	FO12251		1	CHOKE RELIEF VALVE
4	FO10883		1	CHOKE RELIEF VALVE SPRING
5	FO16562		1	CHOKE SHAFT AND LEVER
6	FO16397		3	CHOKE SHAFT RETURN SPRING
7	FO12250		1	CHOKE SHUTTER
8	FO10280		1	CHOKE SHUTTER RETAINING SCREW AND LOCKWASHER
9	F40906-1		1	FLANGE GASKET
10	FO13554		1	FLOAT
11	FO13944		1	FLOAT LEVER PIN
12	FO13552		1	FUEL BOWL
13	FO15623		1	FUEL BOWL GASKET
14	FO13945		1	FUEL BOWL RETAINING SCREW
15	FO2510		2	FUEL BOWL RETAINING SCREW GASKET
16	FO14166		1	IDLE MIXTURE SCREW
17	FO11103		1	IDLE MIXTURE SCREW SPRING
18	FO10790		1	INLET NEEDLE, SEAT AND GASKET
19	FO10165		1	INLET SEAT GASKET
20	FO14108		1	MAIN FUEL JET .064 - STANDARD
-	FO14187		-	MAIN FUEL JET .062 - 1250 - 3750 FT. (OPT.)
-	FO14186		-	MAIN FUEL JET .060 - 3750 - 6250 FT. (OPT.)
-	FO15337		-	MAIN FUEL JET .058 - 6250 - 8250 FT. (OPT.)
21	FO15213		1	MAIN NOZZLE
22	FO17907		1	THROTTLE SHAFT AND LEVER
23	FO16620		1	THROTTLE SHAFT POSITION "E" RING
26	FO16563		1	THROTTLE SHAFT RETURN SPRING
27	FO17486		1	THROTTLE SHUTTER
28	FO8942		2	THROTTLE SHUTTER RETAINING SCREW AND LOCKWASHER
29	F10025		1	GASKET SET
30	F10027		1	REPAIR PARTS KIT INCLUDES ALL ITEMS MARKED WITH AN ASTERISK (*) .
31	F2033		1	GROOVE PIN
32	F391926-1		1	PLUNGER
33	F460925		1	ROD
34	F1014		1	COTTER PIN
35	F8088		1	PLAIN WASHER
36	F184579		2	SEAL, CHOKE ARM SWIVEL
37	F184033-1		1	SWIVEL, CHOKE ARM
38	F1059		1	FILL HD SCREW, 6 - 32 X 1/4
39	F84314-2		1	ELBOW, CARBURETOR

CONTINUED ON NEXT PAGE ➡

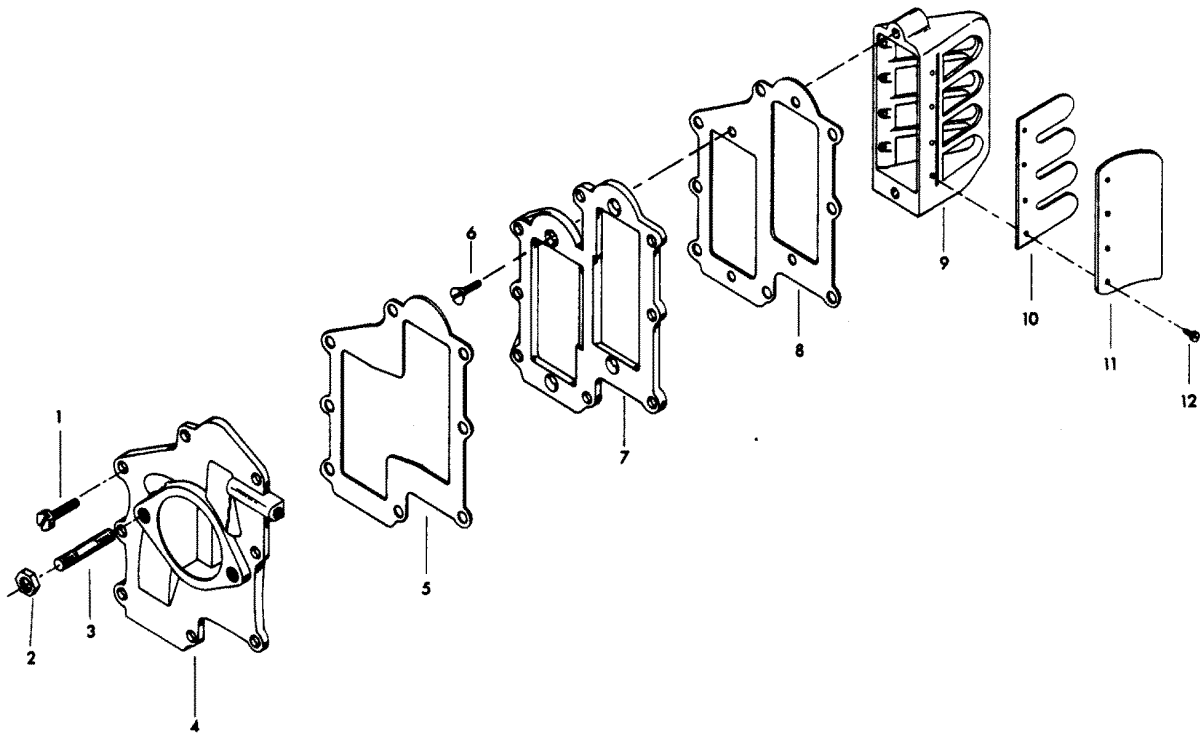
CARBURETOR



CARBURETOR

REF. NO.	PART NO.	SYM.	QTY.	DESCRIPTION
40	F1997		1	LOCK NUT
41	F92759		1	ROLLER, THROTTLE CAM FOLLOWER
42	F333316		1	SHAFT, THROTTLE ROLLER
43	F543061		1	CARBURETOR COMPLETE
44	F8011		1	PLAIN WASHER FOR MANUAL START MODEL

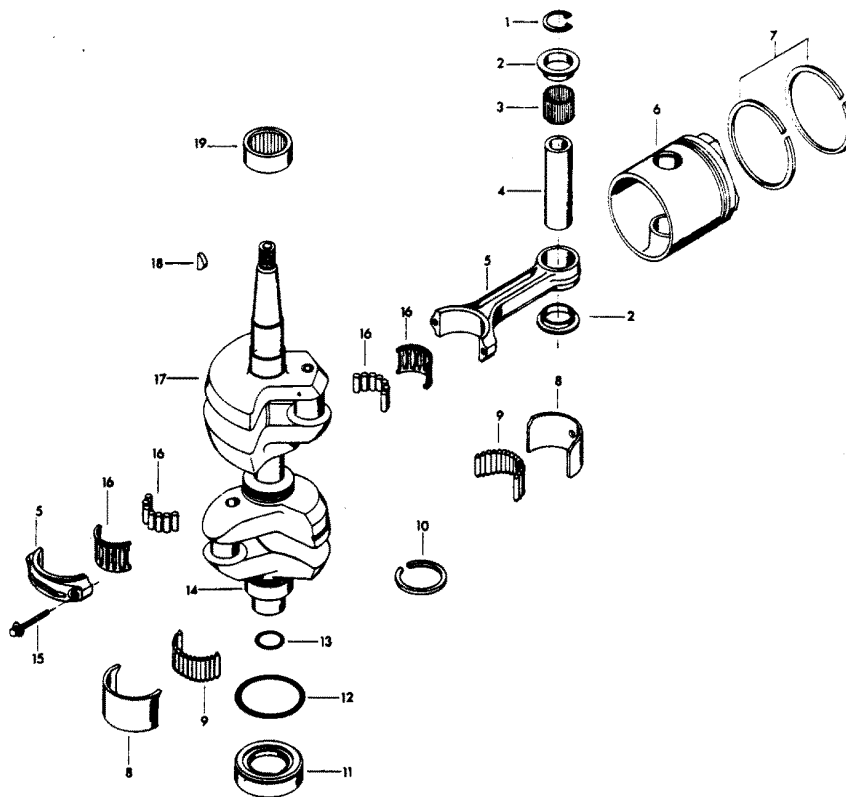
REED PLATE



REED PLATE

REF. NO.	PART NO.	SYM.	QTY.	DESCRIPTION
1	FO1533		8	HEX HD MACHINE SCREW, 1/4 - 20 X.7/8
2	F1515		2	HEX NUT, 5/16 - 18
3	F40209		2	CARBURETOR STUD
4	FA458167		1	CARBURETOR ADAPTER W/ILLUSTRATION 3
5	F433168		1	GASKET, CARBURETOR ADAPTER
6	F1141		4	FLAT HD SCREW, 10 - 24 X 1/2
7	F433404		1	DEFLECTOR PLATE
8	F433406		1	GASKET, DEFLECTOR PLATE
9	FA458158		2	REED PLATE W/REEDS, STOPS AND SCREWS
10	F316160		4	REED
11	F502161		4	REED STOP
12	F1755		16	ROUND HD SCREW W/LOCKWASHER, 6 - 32 X 5/16

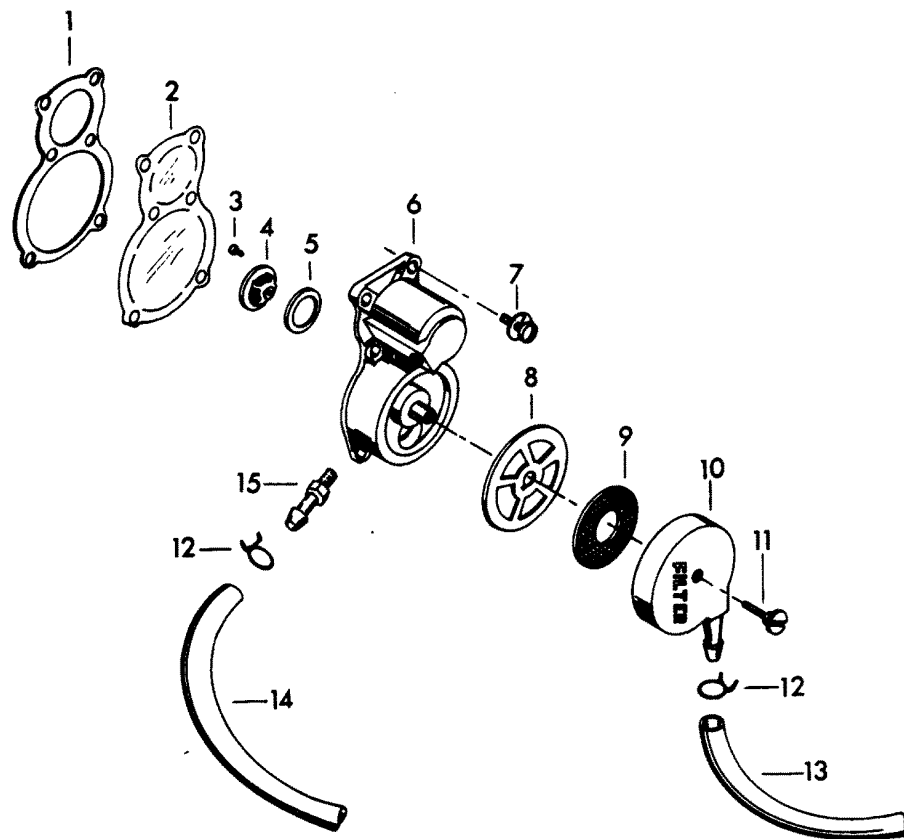
CRANKSHAFT AND PISTON GROUP



CRANKSHAFT AND PISTON GROUP

REF. NO.	PART NO.	SYM.	QTY.	DESCRIPTION
1	F428096		4	RETAINER, PISTON PIN
2	F366215		4	SPACER, PISTON PIN
3	F335217-1		2	BEARING, PISTON PIN
4	F40017-2		2	PISTON PIN
5	600-818052A4		2	CONNECTING ROD W/CAP AND SCREWS
6	F513015-1		2	PISTON
7	FA463260		1	PISTON RING SET (4 PER SET)
8	FA468655		1	LINER, CENTER MAIN
9	FA458571		1	ROLLER, CENTER MAIN
10	F458579		1	SEAL, CRANKCASE
11	F2A458581		1	COLLAR W/LOWER CRANKSHAFT SEAL
12	F455305		1	SEAL, CRANKSHAFT COLLAR
13	F458342		1	SEAL, CRANKSHAFT SPLINE
14	F286028-1		1	CRANKSHAFT LOWER MAIN BEARING
15	F85634-2		4	SCREW, CONNECTING ROD
16	FK85228		2	BEARING CAGE W/ROLLERS (16 PER SET)
17	400-818061A1		1	CRANKSHAFT W/LOWER MAIN BEARING
18	F85498		1	FLYWHEEL KEY
19	F458028		1	BEARING, CRANKSHAFT UPPER MAIN

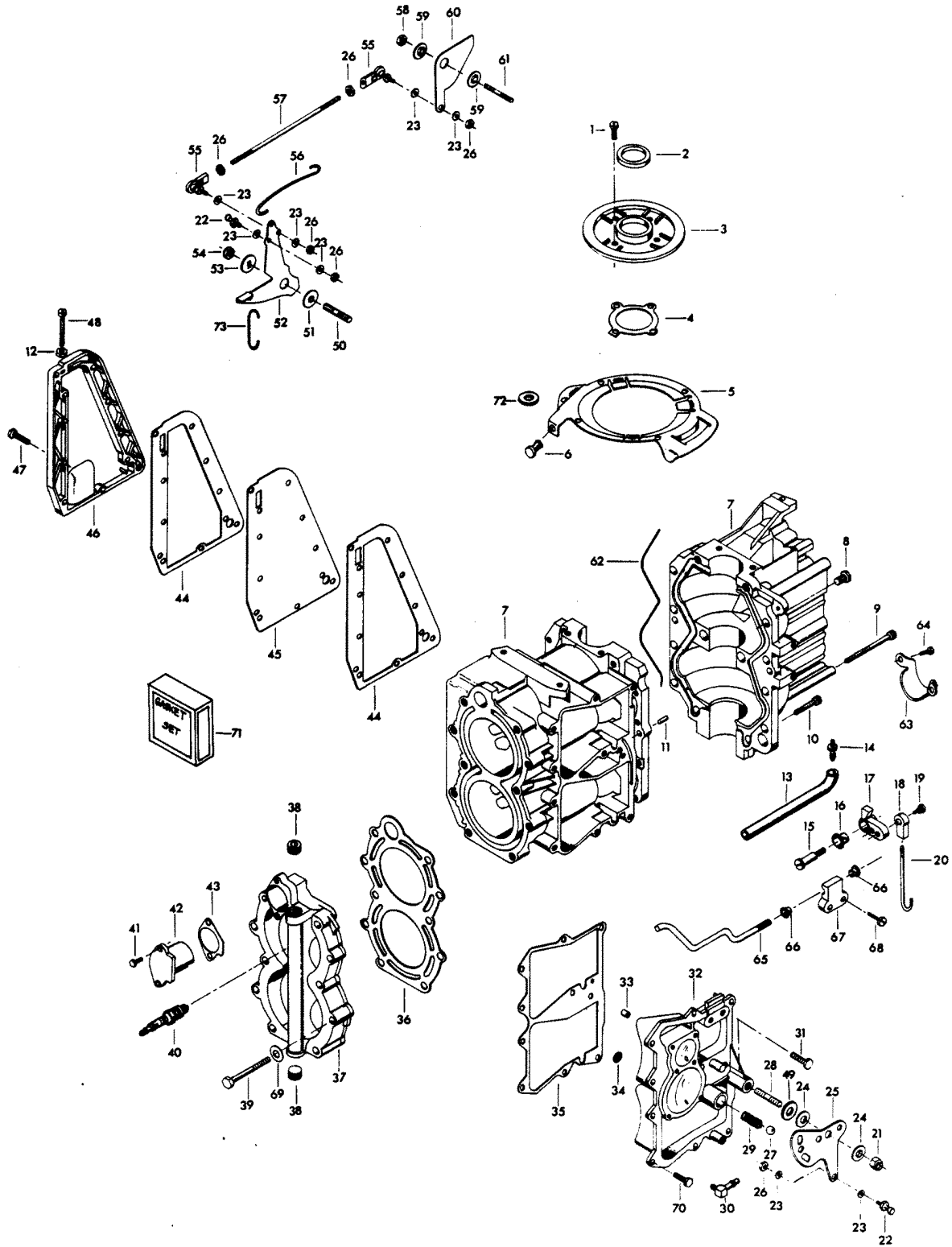
FUEL PUMP



FUEL PUMP

REF. NO.	PART NO.	SYM.	QTY.	DESCRIPTION
1	F438760		1	FUEL PUMP GASKET
2	F438747		1	FUEL PUMP DIAPHRAGM
3	F1860		2	BINDING HD MACHINE SCREW, 6 - 32 X 1/4
4	F177330		3	FUEL PUMP VALVE
5	F84792		3	FUEL PUMP GASKET
6	FA438431		1	FUEL PUMP BODY W/VALVES
7	F1108		6	FILL HD MACHINE SCREW W/LOCKWASHER, 1/4 - 20 X 3/4
8	F438617		1	GASKET, FUEL PUMP BOWL
9	F438653		1	SCREEN, FUEL PUMP
10	F438500		6	FUEL PUMP BOWL
11	F438165		1	SCREW, FUEL PUMP BOWL
12	F97772		4	FUEL LINE CLAMP
13	FA85754-1		1	HOSE, FUEL PUMP TO BUSHING
14	F458754		1	HOSE, FUEL PUMP TO CARBURETOR
15	F438801		1	FITTING, FUEL PUMP BODY

POWER HEAD

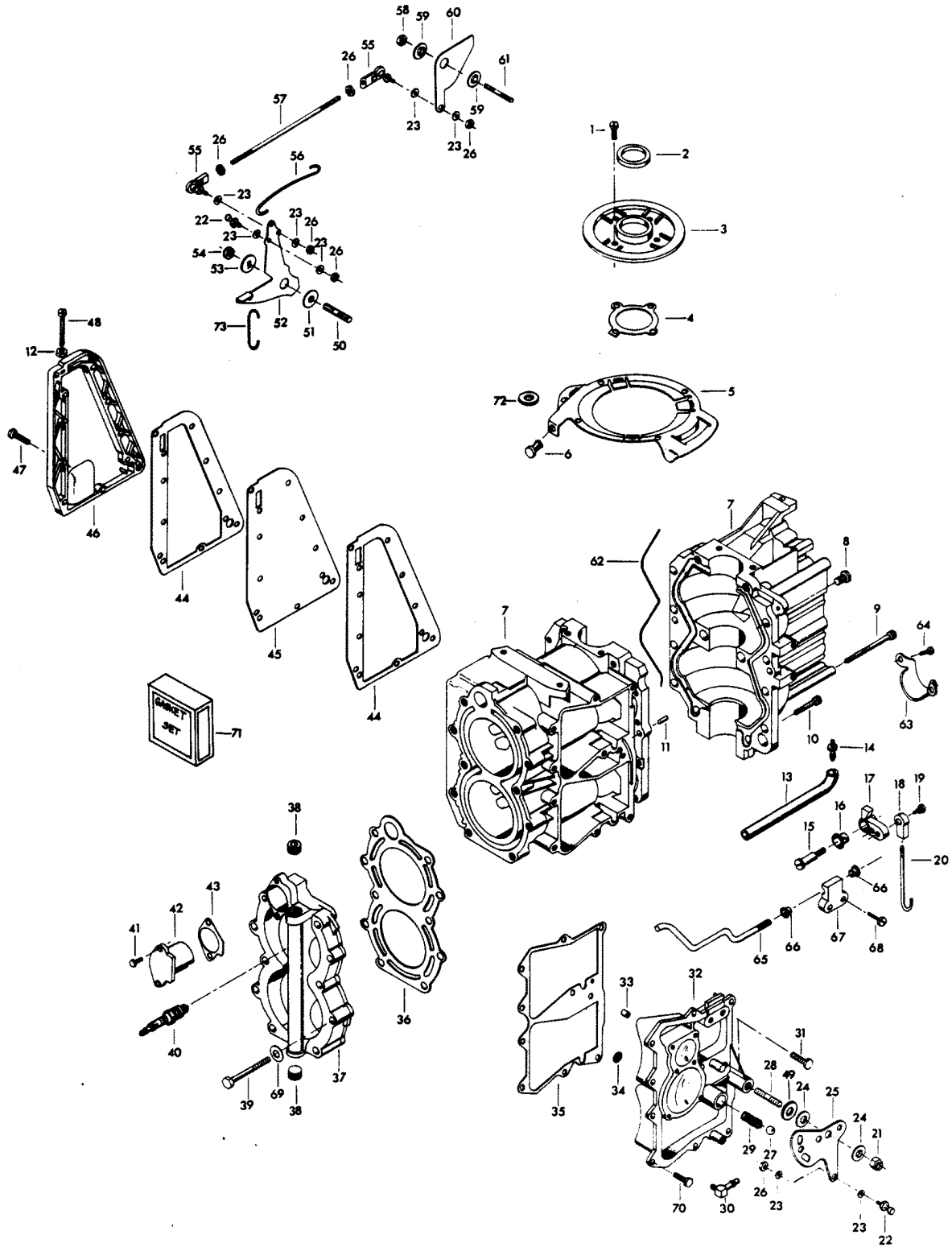


POWER HEAD

REF. NO.	PART NO.	SYM.	QTY.	DESCRIPTION
1	F1107		4	FILL HD SCREW, 1/4 - 20 X 3/4
2	F458146		1	SEAL, CRANKSHAFT UPPER MAIN
3	FA458144		1	CRANKSHAFT BEARING
4	F458277		1	GASKET, CRANKSHAFT BEARING CAGE
5	FA504082		1	MAGNETO STARTOR RING W/ILLUSTRATION 72
6	F1727		1	PLASTI-RIVET
7	A513010		1	CYLINDER W/CRANKCASE COVER, SCREWS AND DOWEL PINS
-	FC514010		1	SHORT BLOCK FOR ALTERNATOR MODELS. INCLUDES ALL ITEMS MARKED WITH AN ASTERISK (*). ALSO REFER TO CRANKSHAFT AND PISTON PAGE.
8	F1535		8	HEX HD SCREW, 1/4 - 20 X 3/4
9	F2005		2	HEX SOCKET HD CAP SCREW, 5/16 - 18 X 2-3/4
10	F2013		4	HEX SOCKET HD CAP SCREW, 5/16 - 18 X 1-1/4
11	F8559		2	DOWEL PIN
12	F1341		1	HEX NUT
13	FA458254		1	HOSE, DRAIN W/CHECK VALVE
-	FC458254		1	HOSE, DRAIN CANADA
14	F366801		1	FITTING
15	F82056		1	SWIVEL, SHIFT INTERLOCK LEVER
16	F307818		1	BEARING
17	F458977-3		1	LEVER, SHIFT INTERLOCK
18	F84035-2		1	BEARING, SHIFT INTERLOCK ROD
19	F84026		1	SWIVEL, SHIFT INTERLOCK BEARING
20	F458531		1	ROD, SHIFT INTERLOCK
21	F7004		1	LOCK NUT, 3/8 - 16
22	F98273		2	ROD END CONNECTOR STUD
23	F8058		8	INTERNAL TOOTH LOCKWASHER
24	F269052		2	BEARING, SHIFT LEVER
25	817808A2		1	LEVER, GEAR SHIFT
26	F1513		6	HEX NUT, 10 - 32
27	F458727		1	BALL, SHIFT LEVER DETENT
28	F440209		1	STUD, GEAR SHIFT LEVER
29	F183300		1	SPRING, SHIFT DETENT
30	F436314-1		1	ELBOW, DRAIN HOSE
31	F1922		1	HEX HD SCREW, 1/4 - 20 X 5/8
32	FA504222		1	TRANSFER PORT COVER
33	21-817741A1		2	VALVE, CHECK W/LITERATURE ORIGINAL FORCE P/N A 213740-1
34	F429811		2	SCREEN, CYLINDER DRAIN
35	F458223		1	GASKET, TRANSFER PORT COVER
36	F513529		1	GASKET, CYLINDER HEAD
37	FA513518		1	CYLINDER HEAD W/PLUGS
38	F458109		2	PLUG, CYLINDER HEAD

CONTINUED ON NEXT PAGE ➡

POWER HEAD

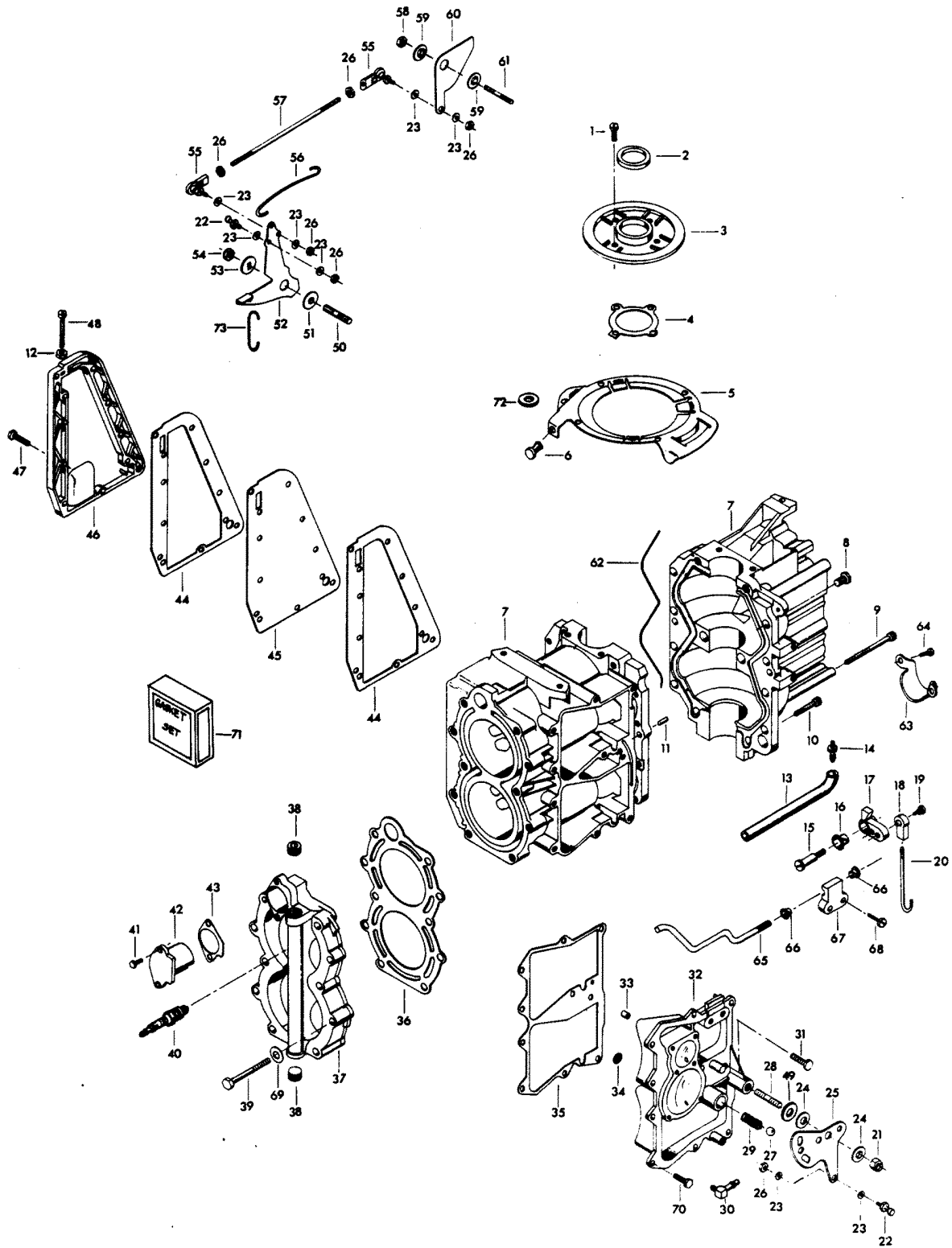


POWER HEAD

REF. NO.	PART NO.	SYM.	QTY.	DESCRIPTION
39	F458936		10	SCREW, CYLINDER HEAD
40	FS174227		2	SPARK PLUG (L-4-J)
-	FC503227		2	SPARK PLUG (CHAMPION QL-77-4J) FOR CANADA
41	F1854		1	HEX CAP SCREW, 1/4 - 20 X 5/8 FOR ELECTRIC START MODELS
42	F458066		1	THERMOSTAT COVER
43	F458067		1	GASKET, THERMOSTAT COVER
44	F458154		2	GASKET, EXHAUST PORT PLATE
45	F458151		1	EXHAUST PORT PLATE
46	F458152		1	EXHAUST PORT COVER
47	F1532		10	HEX HD SCREW, 1/4 - 20 X 1
48	F1072		1	FILL HD SCREW, 1/4 - 20 X 1-3/4
49	F2014		1	PLAIN WASHER
50	F286440		1	STUD, MAGNETO CONTROL LEVER
51	F183813		1	BEARING
52	F2A458081		1	MAGNETO CONTROL LEVER
53	F286282		1	WASHER
54	F1803		1	STOP NUT
55	817747--1		2	JOINT, BALL ASSEMBLY
56	F458509		1	LINK, MAGNETO STATOR
57	F458502		1	ROD, THROTTLE CAM
58	F1910		1	LOCK NUT
59	F269319		2	BEARING, THROTTLE CAM
60	F458192		1	THROTTLE CAM
61	F433209-1		1	STUD, THROTTLE CAM
62	F269122-1		1	SEAL, CRANKCASE PARTING LINE
63	F460317		1	CLAMP, SOLENOID FOR ELECTRIC START
64	F1689		2	HEX CAP SCREW, 1/4 - 20 X 1/2 FOR ELECTRIC START MODELS
65	F504809		1	ROD, STARTER INTERLOCK
66	F504052		2	BEARING, STARTER INTERLOCK
67	F504527		1	STARTER INTERLOCK BEARING CAP
68	F1075		2	FILL HD M. SCREW, 10 - 24 X 1/2
69	F1739		10	PLAIN WASHER (MANUAL START)
-	F1739		7	PLAIN WASHER (ELECTRIC START)
70	F1540		9	HEX CAP SCREW, 1/4 - 20 X 5/8
71	FG1014		1	GASKET SET INCLUDES ITEMS LISTED BELOW
-	F40906-1		1	GASKET, CARBURETOR
-	F84792		3	GASKET, FUEL PUMP VALVE
-	F433168		1	GASKET, CARBURETOR ADAPTER
-	F433406		1	GASKET, DEFLECTOR PLATE
-	F438617		1	GASKET, FUEL PUMP BOWL
-	F438760		1	GASKET, FUEL PUMP
-	F458067		1	GASKET, THERMOSTAT COVER

CONTINUED ON NEXT PAGE ➡

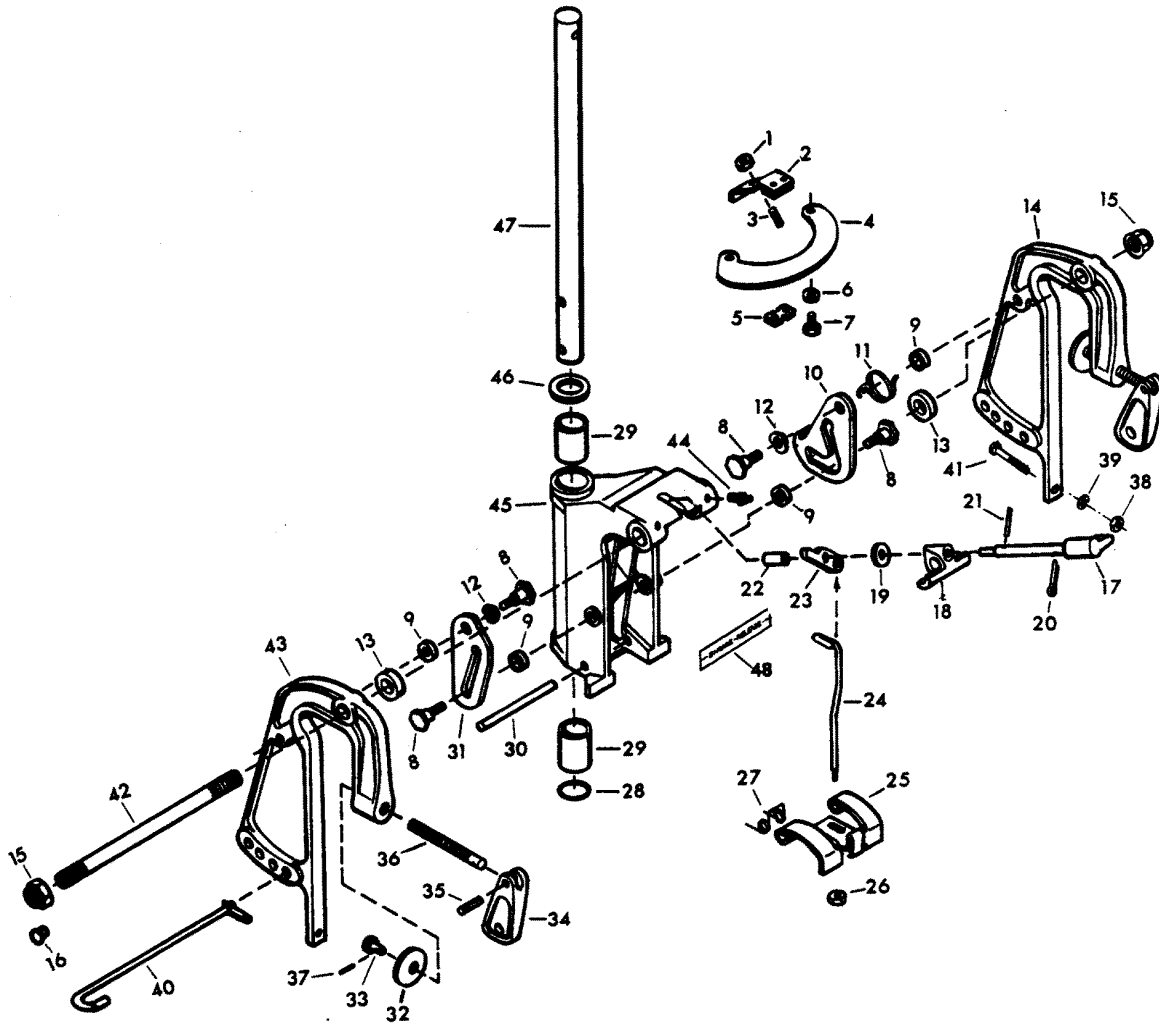
POWER HEAD



POWER HEAD

REF. NO.	PART NO.	SYM.	QTY.	DESCRIPTION
-	F458154		2	GASKET, EXHAUST PORT PLATE
-	F458223		1	GASKET, TRANSFER PORT COVER
-	F458277		1	GASKET, CRANKSHAFT BEARING CAGE
-	F458279		1	GASKET, CYLINDER EXHAUST
-	F458453		1	GASKET, LEG EXHAUST
-	F513529		1	GASKET, CYLINDER HEAD
72	F8000		1	PLAIN WASHER

SWIVEL BRACKET GROUP

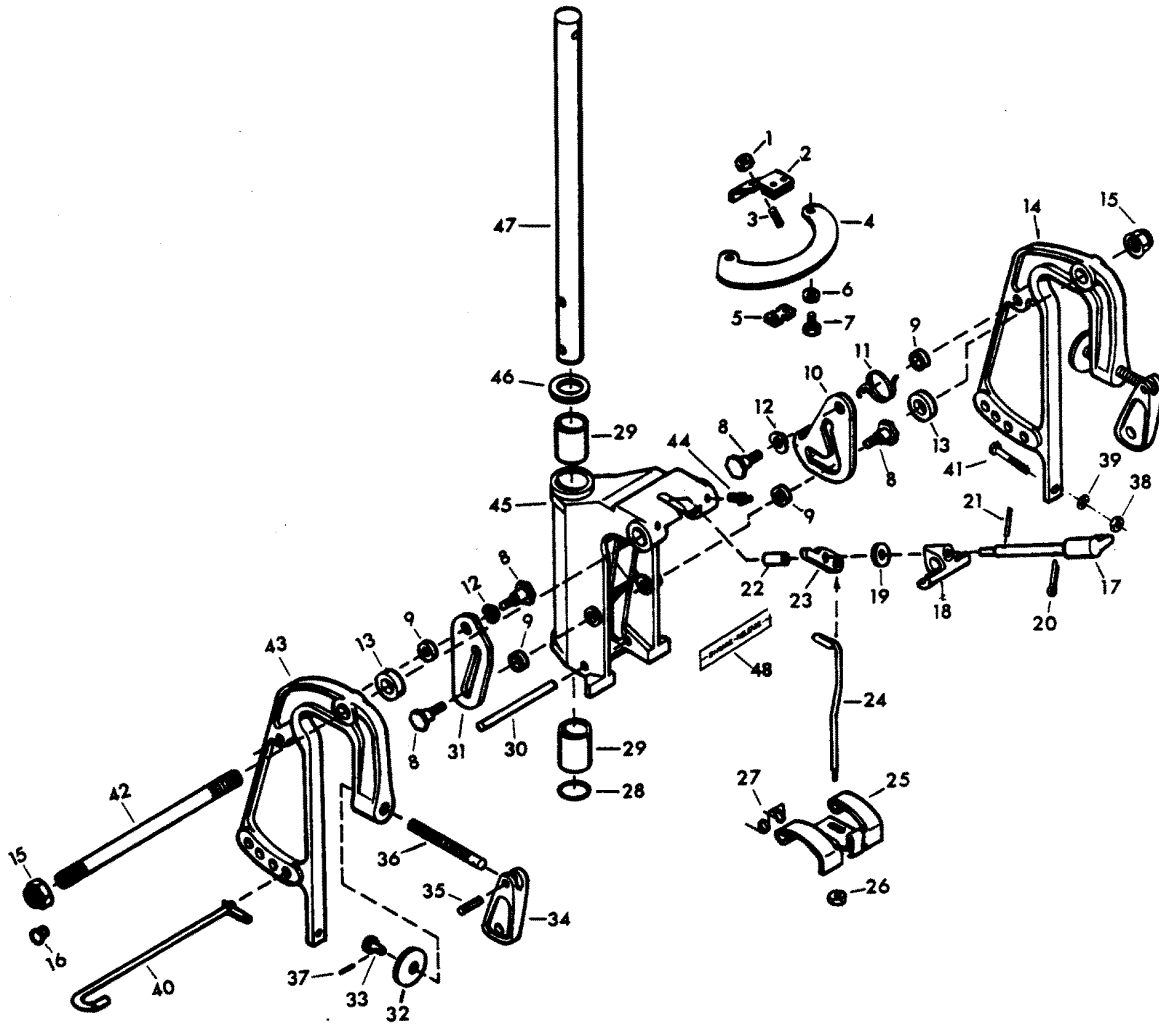


SWIVEL BRACKET GROUP

REF. NO.	PART NO.	SYM.	QTY.	DESCRIPTION
1	F7024		1	STOP NUT
2	817882A1		1	FRICION SHOE ADJUSTING ARM
3	F901822-1		1	STUD, SWIVEL BRACKET
4	F901775		1	PLATE, FRICTION SHOE
5	F901631-1		1	FRICTION SHOE
6	F8083		2	SPRING LOCKWASHER
7	F1689		2	HEX CAP SCREW, 1/4 - 20 X 1/2
8	F286422-1		4	PIVOT, TILT LOCK
9	F286451		4	SPACER, TILT LOCK
10	F436541		1	TILT LOCK - PORT
11	F286544-1		1	SPRING, TILT LOCK
12	F1666		2	BOWED SPRING WASHER
13	F529286		2	WASHER, SWIVEL BRACKET FRICTION
14	FS529532		1	STERN BRACKET PORT, W/CLAMP, SCREW AND FOOT
15	F1600		2	STOP NUT
16	F9018		2	CAP, PIVOT STEERING TUBE
17	F483827		1	LEVER, REVERSE LOCK
18	F529726		1	BEARING, REVERSE LOCK
19	F8094		1	PLAIN WASHER
20	F1014		1	COTTER PIN
21	F1836		1	SPRING PIN
22	F483884		1	BEARING, REVERSE LOCK
23	F366364		1	ARM, REVERSE LOCK
24	F483510-1		1	LINK, REVERSE LOCK
25	F483349-1		1	REVERSE LOCK
26	F1669		1	NUT
27	F483300		1	SPRING
28	F458783		1	SEAL, SWIVEL BRACKET
29	F901169-1		2	BEARING, SWIVEL BRACKET
30	F2095		1	SPRING PIN
31	F385433		1	TILT STOP
32	F24074		2	CLAMP SCREW FOOT
33	F66480		2	STUD
34	F288075		2	HANDLE, STERN BRACKET CLAMP SCREW
35	F1638		2	SPRING PIN
36	817776A3		2	STERN BRACKET CLAMP SCREW W/FOOT AND STUD
37	F1632		2	SPRING PIN
38	F1515		2	HEX NUT, 5/16 - 18
39	F1904		2	PLAIN WASHER
40	FA324113		1	STERN BRACKET LOCK BAR W/END
41	F2027		2	HEX CAP SCREW, 5/16 - 18 X 3
42	F529125-1		1	TUBE, PIVOT STEERING

CONTINUED ON NEXT PAGE ➡

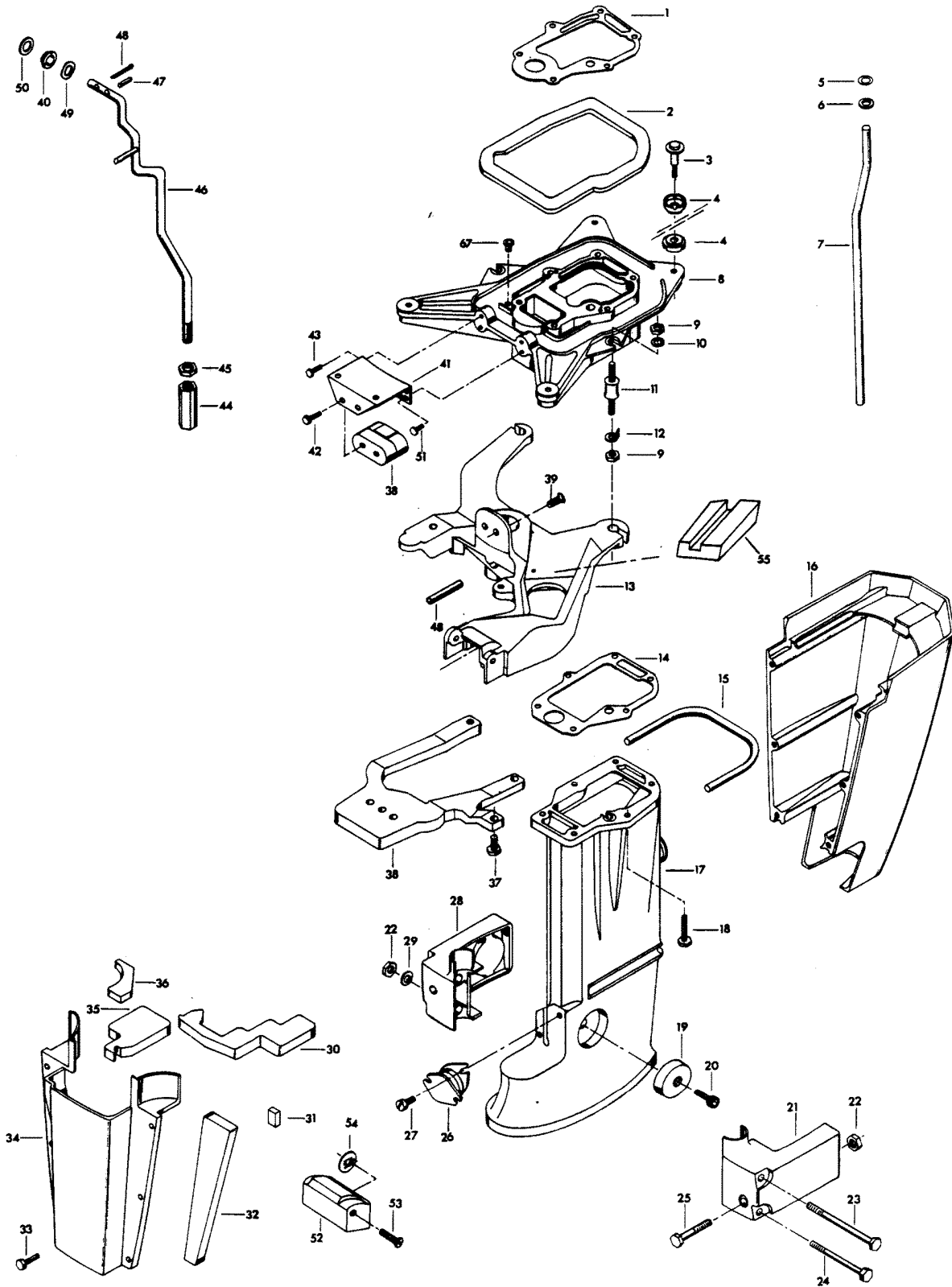
SWIVEL BRACKET GROUP



SWIVEL BRACKET GROUP

REF. NO.	PART NO.	SYM.	QTY.	DESCRIPTION
43	FS529032		1	STERN BRACKET, STARBOARD, W/CLAMP, SCREW AND FOOT
44	F213274		3	GREASE FITTING
45	FA529072		1	SWIVEL BRACKET, W/BEARINGS AND GREASE FITTINGS
46	F901011		1	WASHER, SWIVEL BRACKET
47	F458019		1	KINGPIN
48	F529390-1		1	DECAL, REVERSE LOCK - USA

MOTOR LEG

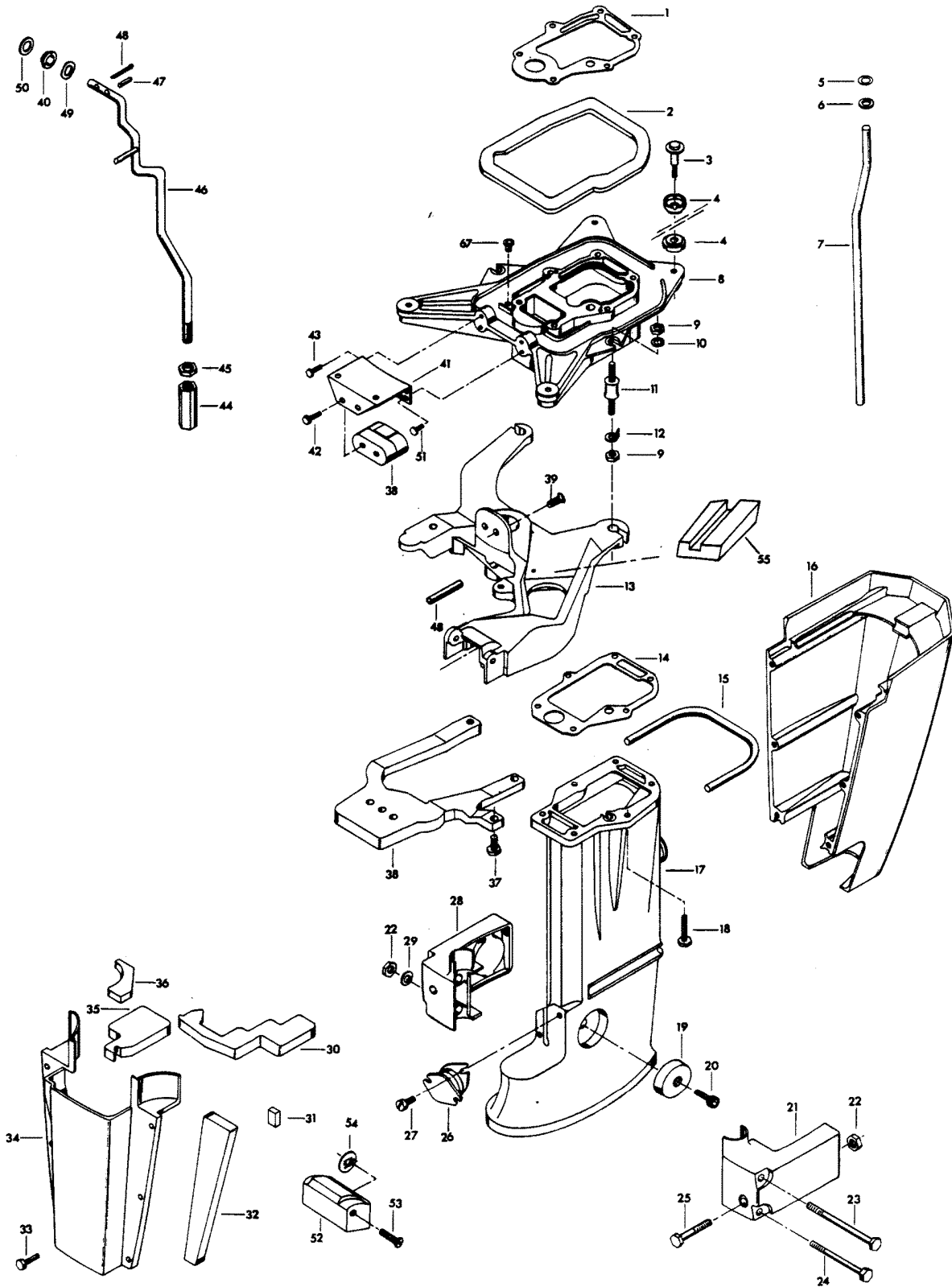


MOTOR LEG

REF. NO.	PART NO.	SYM.	QTY.	DESCRIPTION
1	F458279		1	GASKET, CYLINDER EXHAUST
2	F183756-1		1	PACKING, SUPPORT PLATE
3	F458887		4	FASTENER, SUPPORT PLATE
4	F458347		8	MOUNT, SUPPORT PLATE
5	F24342		1	SEAL, WATER LINE UPPER
6	F8039		1	PLAIN WASHER
7	F458244-1		1	INLET WATER LINE
8	F458963		1	PLATE, SHOCK MOUNT
9	F1347		4	HEX NUT, 3/8 - 16
10	F1778		2	PLAIN WASHER
11	F458962		2	MOUNT, SIDE UPPER
12	F458076		2	TAB, SHOCK MOUNT SIDE
13	817809A1		1	PLATE, KINGPIN MOUNTING
14	F458453		1	GASKET, LEG EXHAUST
15	F458322		2	PACKING, LEG COVER REAR
16	818057A1		1	LEG COVER REAR W/PACKING
17	F458133		1	MOTOR LEG
18	F458166-2		6	SCREW, MOTOR LEG TO CYLINDER
19	F462962		2	SHOCK MOUNT LOWER SIDE
20	F1263		2	HEX SOCKET HD CAP SCREW, 5/16 - 18 X 9/16
21	F458973-1		1	COVER, SHOCK MOUNT PORT
22	F1515		4	HEX NUT, 5/16 - 18
23	F2006		1	HEX CAP SCREW, 5/16 - 18 X 4-3/4
24	F2007		1	HEX CAP SCREW, 5/16 - 18 X 4
25	F1696		2	HEX CAP SCREW, 5/16 - 18 X 1-3/4
26	F183346-1		1	SHOCK MOUNT LOWER THRUST
27	F1129		2	FILL HD SCREW, 5/16 - 18 X 1/2
28	F458972-1		1	COVER, SHOCK MOUNT STARBOARD
29	F8096		2	SPRING LOCKWASHER
30	F458320		1	PACKING, LEG COVER FRONT UPPER PORT
31	F458323-1		3	PACKING, LEG COVER FRONT
32	F458312		2	PACKING, LEG COVER SIDE
33	F1536		6	HEX CAP SCREW, 1/4 - 20 X 3/4
34	818056A2		1	LEG COVER FRONT W/PACKING
35	F458324		1	PACKING, LEG COVER FRONT UPPER - STARBOARD
36	F458315		2	PACKING, LEG COVER SIDE UPPER
37	F1745		3	HEX HD SCREW W/SPRING LOCKWASHER, 5/16 - 18 X 1
38	F385647		1	CARRYING HANDLE
39	F203965		1	SHOCK MOUNT UPPER THRUST
40	F1160		2	FLAT HD SCREW, 1/4 - 28 X 5/8
41	F85610		2	BEARING
42	F40956		1	BRACKET, SHOCK MOUNT UPPER THRUST
43	F1211		2	HEX HD SCREW W/SPRING LOCKWASHER, 1/4 - 28 X 5/8

CONTINUED ON NEXT PAGE ➡

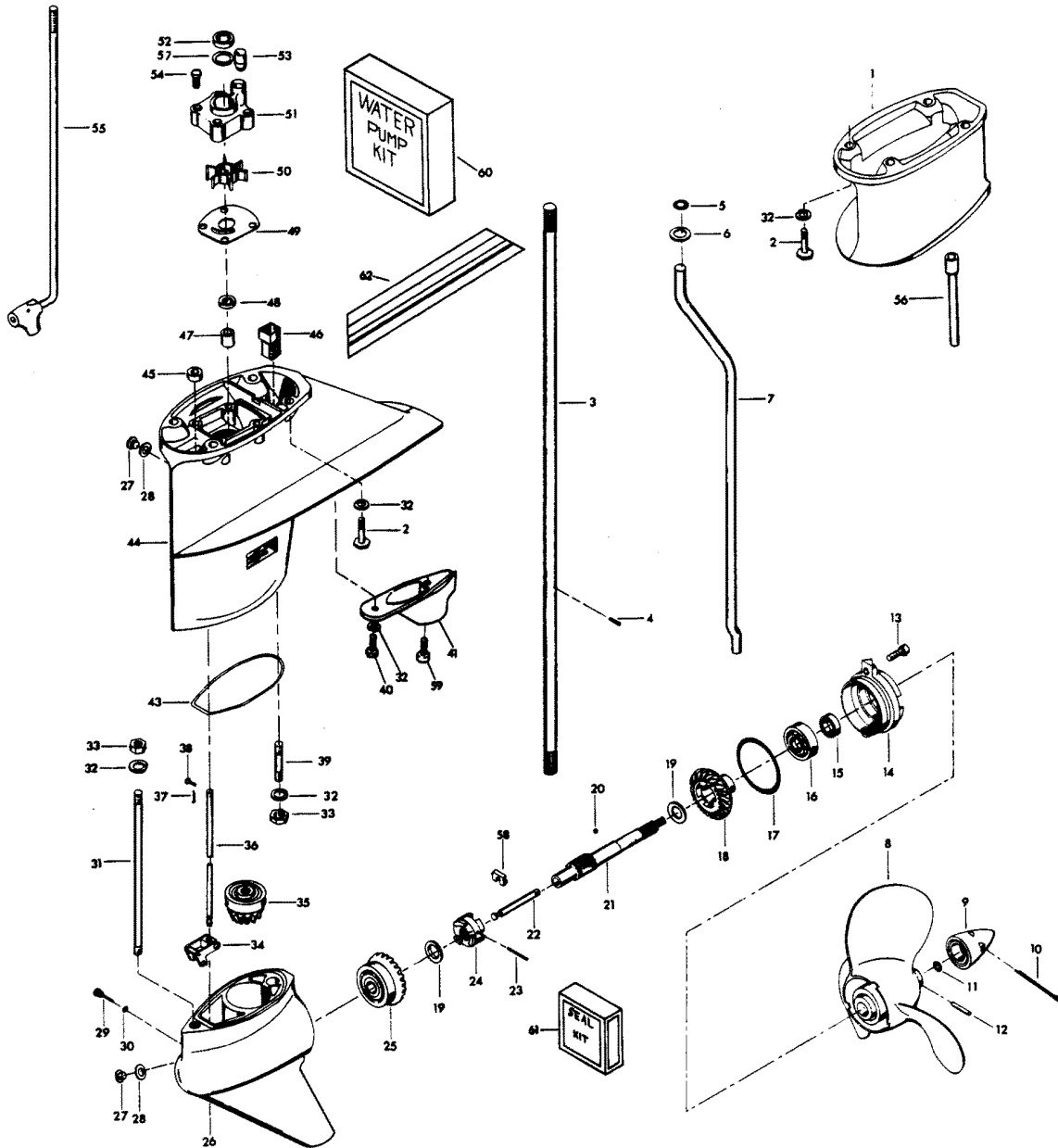
MOTOR LEG



MOTOR LEG

REF. NO.	PART NO.	SYM.	QTY.	DESCRIPTION
44	F1472		4	HEX SLOT HD SCREW W/LOCKWASHER, 1/4 - 20 X 3/4
45	F141704		1	COUPLING, GEAR SHIFT ROD
46	F1349		1	HEX NUT
47	F458615		1	GEAR SHIFT ROD UPPER
48	F1978		1	SPRING PIN
49	F1020		1	COTTER PIN
50	F8049		1	BOWED SPRING WASHER
51	F1739		1	PLAIN WASHER
52	F1540		2	HEX CAP SCREW, 1/4 - 20 X 5/8
53	F542686		1	COVER, KINGPIN MOUNTING PLATE
54	F2011		2	PAN HD SCREW, 1/4 - 20 X 1-1/4
55	F2018		2	SPEED NUT, 1/4 - 20
56	F458345		1	PAD, KINGPIN MOUNTING PLATE

GEAR HOUSING

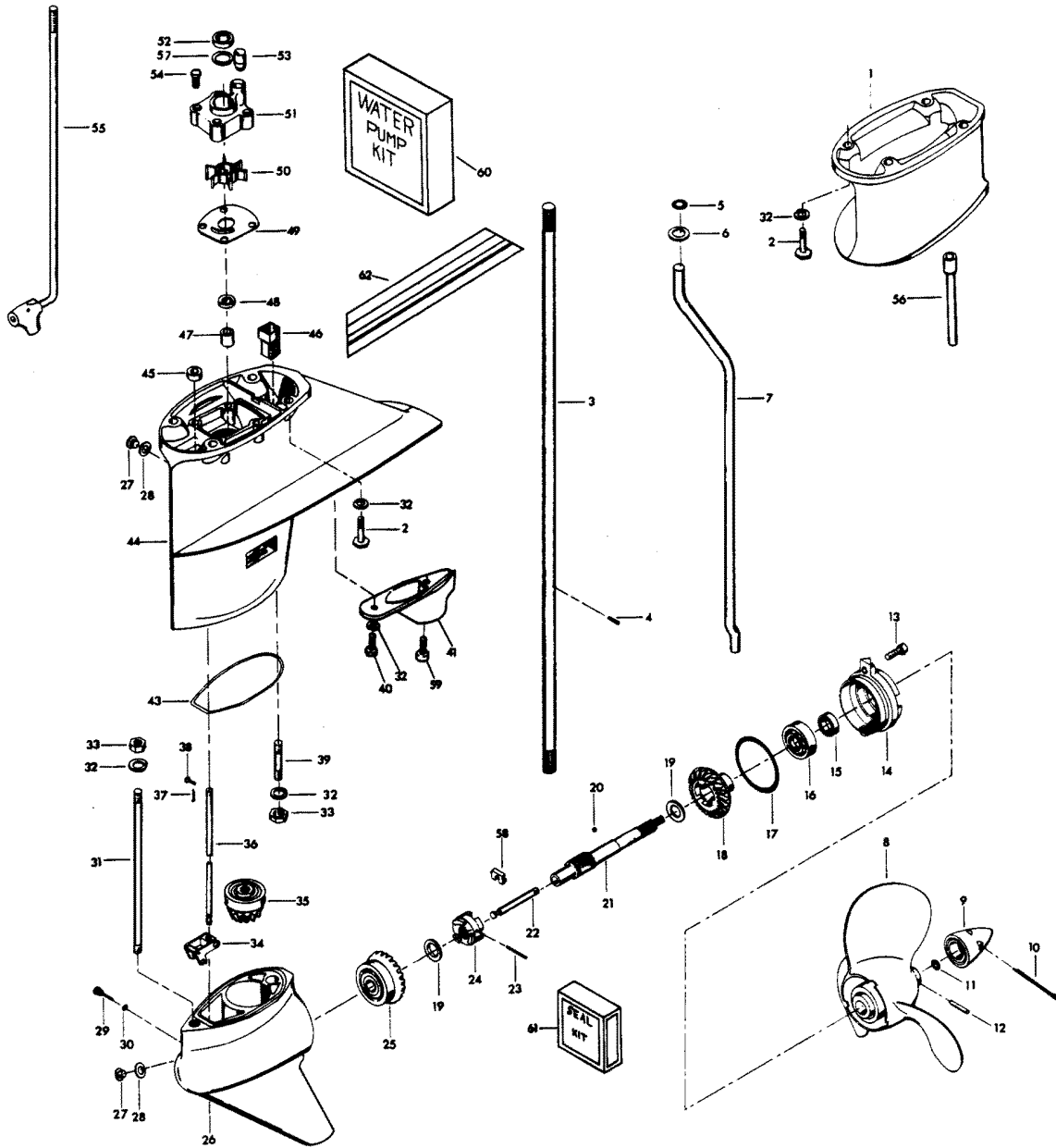


GEAR HOUSING

REF. NO.	PART NO.	SYM.	QTY.	DESCRIPTION
1	F458845		1	EXTENSION, MOTOR LEG
2	F1929		8	HEX CAP SCREW, 3/8 - 16 X 1-1/8
3	F458128		1	DRIVESHAFT FOR STANDARD SHAFT MODELS
-	F462128		1	DRIVESHAFT FOR LONG SHAFT MODELS
4	F901563		1	DRIVE PIN, WATER PUMP IMPELLER
5	F24342		1	SEAL, INLET WATER LINE
6	F8039		1	PLAIN WASHER
7	F458244-1		1	INLET WATER LINE FOR STANDARD SHAFT MODELS
8	FP273		1	PROPELLER (ACCESSORY ITEM)
9	FA94094-2		1	PROP NUT W/SEAL AND COTTER PIN W/ILLUSTRATION 10 & 11
10	F1027		1	COTTER PIN
11	F40342		1	SEAL, PROPELLER NUT
12	FK247		1	PROPELLER PIN, PACK OF 6 W/COTTER PIN
13	F1263		2	HEX SOCKET HD CAP SCREW, 5/16 - 18 X 9/16
14	F2A366298		1	PROP SHAFT BEARING CAGE W/ITEMS 15 AND 16
15	F141118		1	SEAL, PROPELLER SHAFT
16	F366058		1	BALL BEARING, PROPELLER SHAFT
17	F141305		1	SEAL, PROPELLER SHAFT BEARING CAGE
18	FA458662		1	BEVEL GEAR REAR W/BUSHING
19	F40717		2	THRUST WASHER
20	F366727		1	BALL, PROPELLER SHAFT
21	44-819500A3		1	PROPELLER SHAFT
22	F90871-3		1	GEAR SHIFT ARM PIN
23	F2097		1	SPRING PIN
24	F99521-1		1	CLUTCH
25	FS548023		1	BEVEL GEAR FRONT W/BEARING
26	1600-817804A3		1	GEAR HOUSING LOWER W/PLUG, WASHER AND THRUST BEARING CUP
-	1600-817896A2		1	LOWER GEAR HOUSING COMPLETE (NOT SHOWN) INCLUDES ALL ITEMS MARKED WITH AN ASTERISK (*). ORIGINAL FORCE P/N C 458054-1
27	F50109		2	PLUG, GEAR HOUSING
28	F8077		2	WASHER, GEAR HOUSING PLUG
29	F498891		1	GEAR SHIFT ARM PIN
30	F498618		1	SEAL, "O" RING
31	F97008-1		1	STUD, LONG
32	F8065		10	SPRING LOCKWASHER
33	F1346		2	HEX NUT
34	817796A2		1	GEAR SHIFT ARM
35	F2A458266		1	BEVEL PINION W/BEARING
36	F435705		1	GEAR SHIFT ROD LOWER
37	F1015		1	COTTER PIN
38	F85372		1	PIN, GEAR SHIFT ROD LOWER

CONTINUED ON NEXT PAGE ➡

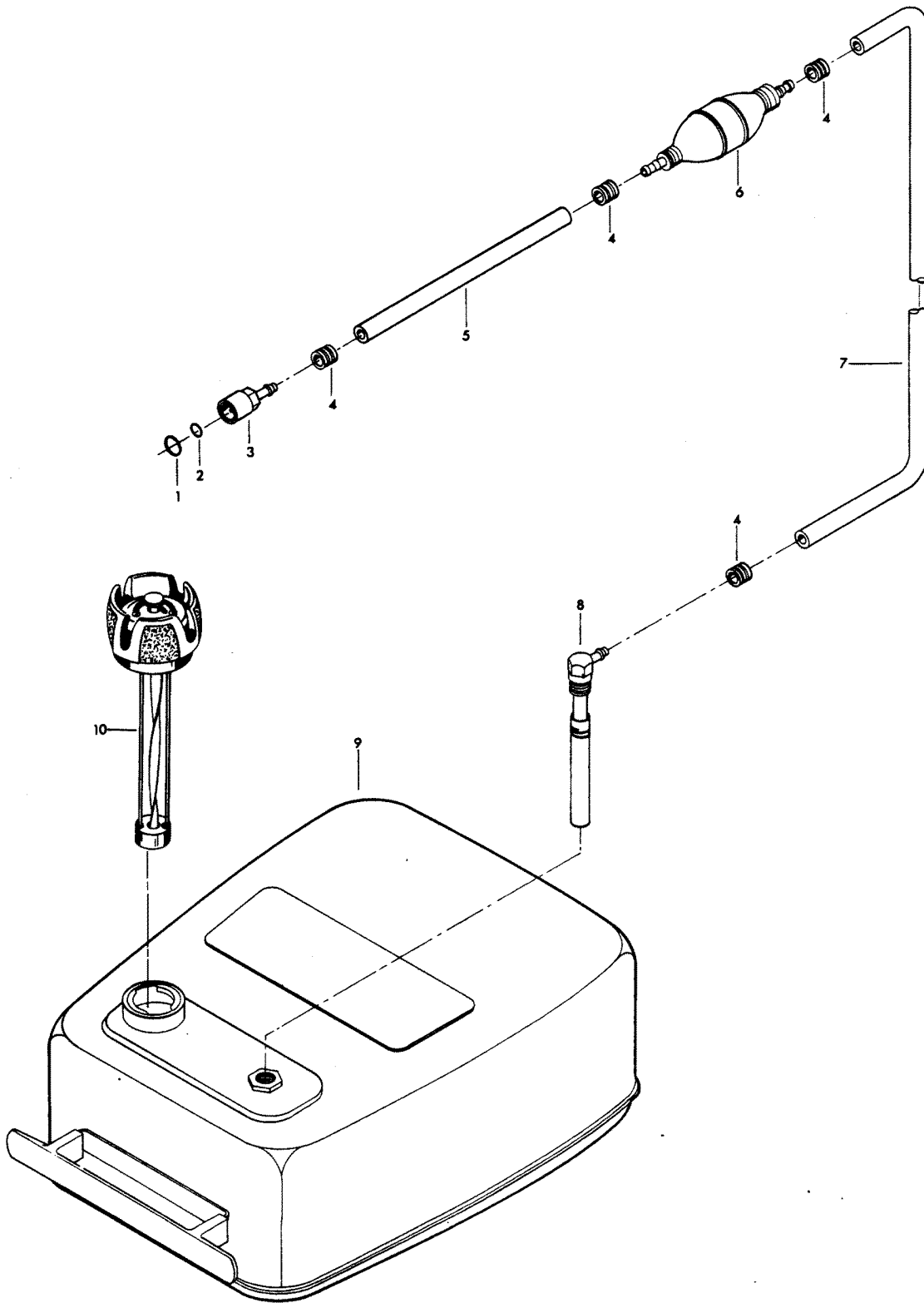
GEAR HOUSING



GEAR HOUSING

REF. NO.	PART NO.	SYM.	QTY.	DESCRIPTION
39	F40008		1	STUD, SHORT
40	F438930		1	RETAINER, SNOUT
41	FA435116		1	EXHAUST SNOUT W/LITERATURE
42	F516662		1	GEAR, BEVEL, REAR
44	FA502554		1	GEAR HOUSING UPPER W/ITEMS 27, 28, 41, 45, 46, 47 AND 48
45	F338618-1		1	SEAL, SHIFT ROD LOWER
46	F435077		1	SCREEN, WATER INLET
47	F458057		1	BEARING, DRIVESHAFT UPPER
48	F458307		1	SEAL, DRIVESHAFT
49	F435562		1	WATER PUMP BACK PLATE
50	F458065-1		1	WATER PUMP IMPELLER
51	FA513060		1	WATER PUMP BODY W/ITEM 52
52	F458736		1	SEAL, WATER PUMP
53	FA510914		1	SEAL, INLET WATER LINE LOWER W/LITERATURE
54	F2030		4	HEX HD CAP SCREW, 1/4 - 20 X 1-1/4
55	FA434616		1	GEAR SHIFT ROD INTERMEDIATE FOR STANDARD SHAFT MODELS
-	FA435616		1	GEAR SHIFT ROD INTERMEDIATE FOR LONG SHAFT MODELS
56	FS901244		1	EXTENSION, INLET WATER LINE
57	F513388		1	DISC, WATER PUMP LOCATING
58	F90619-1		1	YOKE, GEAR SHIFT ARM
59	F1994		1	HEX SOCKET HD CAP SCREW, 5/16 - 18 X 1
60	FK1053		1	WATER PUMP KIT W/ILLUSTRATIONS 4, 49, 50, 51, 53 AND 54
61	FK1068		1	GEAR HOUSING SEAL KIT INCLUDES ALL ITEMS MARKED WITH A DOUBLE ASTERISK (**).
62	A572392		1	DECAL, LEG - PORT W/LITERATURE
-	A572391		1	DECAL, LEG - STARBOARD W/LITERATURE

FUEL TANK AND LINE



FUEL TANK AND LINE

REF. NO.	PART NO.	SYM.	QTY.	DESCRIPTION
1	F213342		1	SEAL, FUEL LINE COUPLER
2	F213735		1	SEAL, FUEL LINE COUPLER
3	F197787-3		2	FUEL LINE COUPLER
4	F298788		4	FERRULE
5	FA84754-1		1	FUEL LINE SHORT W/FERRULES
6	89396A38		1	PRIME BULB
7	32-817738A1		1	FUEL LINE, LONG W/CLAMP AND FERRULE
8	F485755		1	FUEL TANK ADAPTER
9	F5H027		1	FUEL TANK (ACCESSORY ITEM)
10	F409251-1		1	GAUGE CAP
-	FS409752		1	FUEL LINE COMPLETE (NOT SHOWN). INCLUDES ALL ITEMS WITH AN ASTERISK (*).
-	FC409398		1	DECAL, TOTE TANK - CANADA (NOT SHOWN)

SPECIAL TOOLS - TUNE-UP

REF. NO.	PART NO.	SYM.	QTY.	DESCRIPTION
-	FT2910		0	KNOCK-OFF NUT TO REMOVE FLYWHEEL
-	FTA2937-1		0	TIMING TOOL TO ADJUST SPARK ADVANCE

SPECIAL TOOLS - POWER HEAD

REF. NO.	PART NO.	SYM.	QTY.	DESCRIPTION
-	FT8971		0	SEAL INSTALLER TO INSTALL UPPER CRANKSHAFT BEARING CAGE SEAL
-	FT8967		0	SEAL PROTECTOR TO PROTECT UPPER CRANKSHAFT BEARING CAGE SEAL DURING INSTALLATION
-	FT2953		0	SOCKET TO TORQUE CONNECTING ROD SCREWS
-	FT2990		0	PISTON PIN REMOVER TO REMOVE AND INSTALL PISTON PIN IN PISTON
-	FT8926		0	RING EXPANDER TO INSTALL RINGS ON PISTONS
-	FT2996		0	RING COMPRESSOR TO INSTALL PISTONS IN CYLINDERS
-	FT8977		0	SEAL COLLAR INSTALLER TO INSTALL CRANKSHAFT LOWER SEAL COLLAR
-	FT8976		0	SEAL PROTECTOR TO PROTECT LOWER SEAL DURING INSTALLATION

SPECIAL TOOLS - TEST EQUIPMENT

REF. NO.	PART NO.	SYM.	QTY.	DESCRIPTION
-	FT2954A		0	TEST WHEEL TO TEST MOTOR IN TEST TANK
-	FT8932		0	LIFTING HOOK TO LIFT ENGINE
-	FT8950		0	LEAKAGE TESTER TO TEST LOWER UNIT FOR LEAKAGE
-	T8974		0	POINT TENSION GAUGE FOR CHECKING BREAKER POINT SPRING TENSION

SPECIAL TOOLS - LOWER UNIT

REF. NO.	PART NO.	SYM.	QTY.	DESCRIPTION
-	FT8948-1		0	PROPELLER SHAFT BEARING CAGE PULLER TO REMOVE PROPELLER SHAFT BEARING CAGE FROM LOWER GEAR HOUSING
-	FT8919		0	SPRING PIN PUNCH TO REMOVE CLUTCH SPRING PIN
-	FT8907		0	DRIVER HANDLE TO INSTALL BEARING CUP IN LOWER GEAR HOUSING
-	FT8918		0	BUSHING GUIDE SET TO REMOVE AND INSTALL BEARING CUP IN LOWER GEAR HOUSING
-	FT8921		0	FORWARD BEARING CUP REMOVER TO REMOVE FORWARD BEARING CUP FROM LOWER GEAR HOUSING
-	FT8904		0	FORWARD BEARING CUP INSTALLER TO INSTALL FORWARD BEARING CUP IN LOWER GEAR HOUSING
-	FT8972		0	DRIVESHAFT SEAL INSTALLER TO INSTALL DRIVESHAFT SEAL
-	FT8957		0	SEAL INSTALLER TO INSTALL SHIFT ROD SEAL
-	FT8962		0	BEARING INSTALLER TO INSTALL DRIVESHAFT BEARING IN GEAR HOUSING UPPER
-	FT8964		0	BEARING REMOVER TO REMOVE DRIVESHAFT BEARING FROM GEAR HOUSING UPPER

SPECIAL TOOLS - LUBRICANTS AND SEALANTS

REF. NO.	PART NO.	SYM.	QTY.	DESCRIPTION
-	FT2961		0	LUBRICANT - RYKON #2EP
-	FT2987-1		0	LUBRICANT - ANTI-SEIZE
-	FT8969		0	LUBRICANT - 7 OZ. 2 PSI LUBRICANT
-	FT8983		0	SEALANT
-	FT8936		0	SEALANT - 2 CC LOCTITE RETAINING COMPOUND #75
-	FT2962-1		0	SEALANT - 50 CC LOCTITE H, NON-HARDENING GRADE
-	FT2963-1		0	SEALANT - 2 OZ. LOCTITE D, HARDENING GRADE
-	FT8935		0	SEALANT PRIMER - 6 OZ.

ACCESSORIES

REF. NO.	PART NO.	SYM.	QTY.	DESCRIPTION
-	F5H081		0	BATTERY CABLE LONGER LENGTH - 15 FEET
-	F5H019		0	ANTI-CORROSION KIT ELECTRICAL UNIT USED TO HELP PREVENT CORROSION
-	F5H025		0	ANTI-CORROSION SACRIFICIAL ANODE USED TO HELP PREVENT CORROSION
-	5H051		0	BATTERY, 74 AMP TWELVE VOLT HEAVY DUTY BATTERY TO OPERATE STARTER AND ELECTRICAL ACCESSORIES
-	F5H021		0	BATTERY EXTENSION CABLE USED TO EXTEND BATTERY CABLE 6-1/2 FEET
-	493		0	HANDLE PROVIDES REAR HANDLE AND REST PADS
-	F5H020		0	CARRYING HANDLE PERMITS EARIER TRANSPORTATION OF ENGINE TO AND FROM BOAT (2 MAN)
-	F5H014		0	FLUSHING ADAPTER PERMITS FRESH WATER FLUSHING OF WATER PASSAGES WITH STANDARD GARDEN HOSE
-	F5H008		0	FUEL GAUGE FLUSH MOUNT MONITORS FUEL SUPPLY. ELECTRIC START MODELS.
-	F5H028		0	SENDING UNIT FOR USE WITH ABOVE FUEL GAUGES
-	F5H055		0	WATER PUMP KIT HEAVY DUTY WATER PUMP RECOMMENDED FOR CONTINUED OPERATION IN SANDY OR SALT WATER
-	F5H134		0	BOAT WHITE LACQUER ENGINE TOUCH-UP PAINT IN 12 3/4 OZ. SPRAY BOMBS (6 CANS PER CASE).
-	F476		0	FUEL LINE ADAPTION KIT ADAPTS MODEL 5H027 FUEL TANK FOR DISCONNECT AT TANK
-	F5H026		0	FUEL TAN, 6 GALLON, STEEL AUXILIARY TANK
-	F5H029		0	FUEL TANK ANCHOR SECURES 5H027 TO DECK
-	5H065		0	CANVAS HOOD PROTECTION FOR ENGINE COVER
-	F5H070		0	REMOTE ELECTRIC CABLE 21 FEET
-	F5H004		0	SPEEDOMETER FLUSH MOUNT) TO 50 M.P.H.
-	F5H072		0	OVERHEAT BUZZER KIT FOR ELECTRIC START MODELS. WARNS OF ENGINE OVERHEATING
-	167		0	IGNITION CUT-OFF KIT ALLOWS STOPPING OF ALL MAGNETO ENGINES FROM DASH
-	F5H077		0	IGNITION KEY SWITCH FOR ELECTRIC START MODELS, SHORT BARREL
-	F5H078		0	IGNITION KEY SWITCH FOR ELECTRIC START MODELS, LONG BARREL
-	FK1026		0	LONG LEG CONVERSION KIT CONVERTS 15" STANDARD SHAFT MODELS TO 20" LONG SHAFT MODELS
-	F195/_		0	REMOTE CONTROL CABLES CONNECTS REMOTE CONTROL BOX TO THROTTLE AND GEAR SHIFT ON MOTOR. AVAILABLE IN 6 THROUGH 40 FOOT LENGTHS.
-	F5H130		0	REMOTE CONTROL SURFACE MOUNT (SINGLE LEVER) PERMITS REMOTE CONTROL OF THROTTLE AND GEAR SHIFT FROM STARBOARD SIDE OF BOAT.
-	F5H131		0	PORT SIDE DECAL KIT CONVERTS 5H130 CONTROL BOX TO PORT SIDE MOUNTING.

CONTINUED ON NEXT PAGE ➡

ACCESSORIES

REF. NO.	PART NO.	SYM.	QTY.	DESCRIPTION
-	F590		0	REMOTE CONTROL FLUSH MOUNT PERMITS REMOTE CONTROL OF THROTTLE AND GEAR SHIFT. MAY BE MOUNTED ON PORT OR STARBOARD SIDE OF BOAT.
-	865		0	REMOTE CONTROL SURFACE MOUNT PERMITS REMOTE CONTROL OF THROTTLE AND GEAR SHIFT ON TWIN ENGINE INSTALLATIONS. MAY BE MOUNTED ON PORT OR STARBOARD SIDE OF BOAT.
-	F137		0	REMOTE STEERING BRACKET ADAPTS MOTOR TO CABLE TYPE REMOTE STEERING
-	F165		0	REMOTE STEERING BRACKET ADAPTS MOTOR TO CABLE TYPE REMOTE STEERING
-	F5H018		0	DUAL ENGINE TIE BAR PERMITS DUAL ENGINE INSTALLATION
-	F5H012		0	FLUSH MOUNT MONITORS ENGINE R.P.M. TO PROVIDE CHECK OF ENGINE PERFORMANCE.
-	F73H07		0	STARTER CONVERSION CONVERTS MANUAL START MODELS TO ELECTRIC START
-	F5H006		0	VOLTMETER FLUSH MOUNT - INDICATES BATTERY CONDITION. ELECTRIC START MODELS.
-	F596		0	CHRYSLER OUTBOARD OIL SEE BLOCK COMMENT 1.
-	F597		0	CHRYSLER OUTBOARD GEAR LUBE SEE BLOCK COMMENT 2.
-	72H26		0	CHRYSLER OUTBOARD FUEL AID REMOVES MOISTURE. PREVENTS SLUDGE AND VARNISH AND STABILIZES GAS. AVAILABLE IN 16 OZ. CANS AND 12 CAN CASES.
-	72H27		0	CHRYSLER OUTBOARD STORAGE LUBRICANT WORKS AS A CORROSION INHIBITOR AND PROTECTS INTERNAL ENGINE PARTS DURING STORAGE. AVAILABLE IN 16 OZ. CANS AND 12 CAN CASES.
-	72H28		0	CHRYSLER OUTBOARD MULTI-PURPOSE SPRAY LUBE WORKS AS A LUBRICANT, CLEANER, MOISTURE REMOVER AND ELECTRIC INSULATOR. AVAILABLE IN 9 OZ. CANS AND 12 CAN CASES.
-	F72H29		0	CHRYSLER OUTBOARD MULTI-PURPOSE GREASE LUBRICATES BEARINGS AND OTHER MOVING PARTS. AVAILABLE IN 8 OZ. TUBES AND 12 TUBE CASES.
-	F72H30		0	CHRYSLER OUTBOARD GREASE GUN USED WITH CHRYSLER OUTBOARD MULTI-PURPOSE GREASE TUBES FOR PRESSURE FITTINGS.
-	72H34		0	CHRYSLER OUTBOARD MULTI-PURPOSE CLEANER

PARTS INDEX

Part Number	Description	Pg.	Ref. No.	Part Number	Description	Pg.	Ref. No.
167	IGNITION CUT-OFF KIT	51	-	F1108	FILL HD MACHINE SCREW W/LOCKWASHER, 1/4 - 20 X 3/4	25	7
2C573712	ENGINE COVER COMPLETE.	3	-				
493	HANDLE	51	-				
510373-1	DECAL, MAGNAPOWER	15	28	F1129	FILL HD SCREW, 5/16 - 18 X 1/2	37	27
5H051	BATTERY, 74 AMP	51	-				
5H065	CANVAS HOOD	51	-	F1141	FLAT HD SCREW, 10 - 24 X 1/2	21	6
72H26	CHRYSLER OUTBOARD FUEL AID	52	-	F1160	FLAT HD SCREW, 1/4 - 28 X 5/8	37	40
72H27	CHRYSLER OUTBOARD STORAGE LUBRICANT	52	-	F1211	HEX HD SCREW W/SPRING LOCKWASHER, 1/4 - 28 X 5/8	37	43
72H28	CHRYSLER OUTBOARD MULTI-PURPOSE SPRAY LUBE	52	-	F1263	HEX SOCKET HD CAP SCREW, 5/16 - 18 X 9/16	37	20
72H34	CHRYSLER OUTBOARD MULTI-PURPOSE CLEANER	52	-	F1263	HEX SOCKET HD CAP SCREW, 5/16 - 18 X 9/16	41	13
817747--1	JOINT, BALL ASSEMBLY	29	55	F1280	PAN HD SCREW, 8 - 32 X 1/4	11	11
817776A3	STERN BRACKET CLAMP SCREW W/FOOT AND STUD	33	36	F1337	NUT, 6 - 32	15	20
817796A2	GEAR SHIFT ARM	41	34	F1341	HEX NUT	27	12
817808A2	LEVER, GEAR SHIFT	27	25	F1341	HEX NUT, 1/4 - 20	9	15
817809A1	PLATE, KINGPIN MOUNTING	37	13	F1346	HEX NUT	41	33
817882A1	FRICITION SHOE ADJUSTING ARM	33	2	F1347	HEX NUT, 3/8 - 16	37	9
817892--1	PLATE, IGNITION - CANADA	13	-	F1349	HEX NUT	39	46
817955A1	HOUSING, HAND STARTER	7	2	F137	REMOTE STEERING BRACKET	52	-
818056A2	LEG COVER FRONT W/PACKING	37	34	F141118	SEAL, PROPELLER SHAFT	41	15
818057A1	LEG COVER REAR W/PACKING	37	16	F141305	SEAL, PROPELLER SHAFT BEARING CAGE	41	17
865	REMOTE CONTROL SURFACE MOUNT	52	-	F141704	COUPLING, GEAR SHIFT ROD	39	45
89396A38	PRIME BULB	45	6	F1447	DRIVE SCREW	3	34
A513010	CYLINDER W/CRANKCASE COVER, SCREWS AND DOWEL PINS	27	7	F1472	HEX SLOT HD SCREW W/LOCKWASHER, 1/4 - 20 X 3/4	39	44
A572391	DECAL, LEG - STARBOARD	43	-	F1475	FILL HD SCREW, 10 - 24 X 1/2	3	15
A572392	DECAL, LEG - PORT	43	62	F15002	SPRING SET	9	23
F10025	GASKET SET	17	29	F15010	ARMATURE	9	18
F10027	REPAIR PARTS KIT	17	30	F15015	BRUSH SET	9	22
F1014	COTTER PIN	17	34	F15019-1	HEAD ASSEMBLY COMMUTATOR END	9	24
F1014	COTTER PIN	33	20	F15021-1	HEAD ASSEMBLY DRIVE END	9	16
F1015	COTTER PIN	41	37	F15084	SCREW SHAFT	9	8
F1020	COTTER PIN	39	49	F15087	HEX NUT	9	2
F1027	COTTER PIN	41	10	F15091	WASHER	9	9
F1050	SLOTTED FILL HD SCREW, 10 - 24 X 1	15	3	F15095	BENDIX DRIVE	9	1
F1059	FILL HD SCREW, 6 - 32 X 1/4	17	38	F15097	THRU BOLT PACKAGE	9	28
F1072	FILL HD SCREW, 1/4 - 20 X 1-3/4	29	48	F15098	THRUST WASHER PACKAGE	9	17
F1075	FILL HD M. SCREW, 10 - 24 X 1/2	29	68	F15102	SPRING, ANTI-DRIFT	9	4
F1077	FILL HD SCREW, 10 - 24 X 1/2	11	10	F15103	PINION	9	7
F1092	FILL HD SCREW, 10 - 32 X 5/8	15	24	F15104	CUP, CUSHION THRUST	9	12
F1100	SLOTTED FILL HD SCREW, 1/4 - 20 X 1-1/8	11	37	F15105	CUP, CUSHION	9	10
				F15106	CUSHION	9	11
				F15107	CUP, PINION	9	5
				F15108	SLEEVE	9	6
				F15109	CUP, STOP	9	3
				F15117	FRAME AND FIELD ASSEMBLY	9	20

PARTS INDEX

Part Number	Description	Pg.	Ref. No.	Part Number	Description	Pg.	Ref. No.
F1513	HEX NUT, 10 - 32	11	16	F1739	PLAIN WASHER (MANUAL START)	29	69
F1513	HEX NUT, 10 - 32	27	26	F1745	HEX HD SCREW W/SPRING LOCKWASHER, 5/16 - 18 X 1	37	37
F1513	HEX NUT, 10-32	15	7	F1746	HEX CAP SCREW, 1/4 - 28 X 5/8	15	12
F1514	HEX JAM NUT, 1/4 - 20	9	13	F1753	FASTENER	3	12
F1515	HEX JAM NUT, 5/16 - 18	3	37	F1755	ROUND HD SCREW W/LOCKWASHER, 6 - 32 X 5/16	21	12
F1515	HEX NUT	11	14	F177330	FUEL PUMP VALVE	25	4
F1515	HEX NUT, 5/16 - 18	21	2	F1778	PLAIN WASHER	37	10
F1515	HEX NUT, 5/16 - 18	33	38	F1803	STOP NUT	29	54
F1515	HEX NUT, 5/16 - 18	37	22	F18132-1	STARTER ROPE HANDLE	7	26
F1532	HEX HD SCREW, 1/4 - 20 X 1	29	47	F183300	SPRING, LATCH SHAFT	3	35
F1535	HEX HD SCREW, 1/4 - 20 X 3/4	27	8	F183300	SPRING, SHIFT DETENT	27	29
F1536	HEX CAP SCREW, 1/4 - 20 X 3/4	37	33	F183346-1	SHOCK MOUNT LOWER THRUST	37	26
F1540	HEX CAP SCREW, 1/4 - 20 X 5/8	29	70	F1836	SPRING PIN	33	21
F1540	HEX CAP SCREW, 1/4 - 20 X 5/8	39	52	F183756-1	PACKING, SUPPORT PLATE	37	2
F1540	HEX HD MACHINE SCREW, 1/4 - 20 X 5/8	3	18	F183813	BEARING	29	51
F154317	CLAMP, REMOTE CABLE	3	24	F184033-1	SWIVEL, CHOKE ARM	17	37
F1545	HEX CAP SCREW, 1/4 - 20 X 1/2	3	22	F184579	SEAL, CHOKE ARM SWIVEL	17	36
F1552	PAN HD SCREW, 8 - 32 X 1/2	15	14	F1854	HEX CAP SCREW, 1/4 - 20 X 5/8	11	18
F1600	STOP NUT	33	15	F1854	HEX CAP SCREW, 1/4 - 20 X 5/8 FOR ELECTRIC START MODELS	29	41
F1632	PLASTI-PLUG	3	21	F185764	RETAINING RING	3	36
F1632	SPRING PIN	33	37	F1860	BINDING HD MACHINE SCREW, 6 - 32 X 1/4	25	3
F1638	SPRING PIN	7	22	F1864	HEX HD SCREW, 1/4 - 20 X 3/4	7	1
F1638	SPRING PIN	33	35	F1877	TY-RAP	15	29
F1645	ROUND HD SCREW, 6 - 32 X 1/4	15	10	F1904	PLAIN WASHER	33	39
F1645	ROUND HD SCREW, 6 - 32 X 7/8	11	4	F1910	LOCK NUT	29	58
F1647	HEX NUT	11	9	F1916	HEX HD M. SCREW, 1/4 - 20 X 1-1/8	11	33
F1648	PAN HD SCREW, 10 - 24 X 3/4	11	20	F1922	HEX HD SCREW, 1/4 - 20 X 5/8	27	31
F1648	PAN HD SCREW, 10 - 24 X 3/4	15	19	F1927	PAN HD SCREW, 10 - 32 X 3/8	7	4
F165	REMOTE STEERING BRACKET	52	-	F1929	HEX CAP SCREW, 3/8 - 16 X 1-1/8	41	2
F1666	BOWED SPRING WASHER	33	12	F1934	FLAT HD SLOTTED SCREW	11	32
F1669	NUT	33	26	F195/_	REMOTE CONTROL CABLES	51	-
F1689	HEX CAP SCREW, 1/4 - 20 X 1/2	33	7	F1975	LOCKWASHER	15	22
F1689	HEX CAP SCREW, 1/4 - 20 X 1/2 FOR ELECTRIC START MODELS	29	64	F1975	SPRING LOCKWASHER	11	17
F1696	HEX CAP SCREW, 5/16 - 18 X 1-3/4	37	25	F197787-3	FUEL LINE COUPLER	45	3
F1704	INTERNAL TOOTH LOCKWASHER	11	5	F1978	SPRING PIN	39	48
F1704	LOCKWASHER #6	15	9	F1994	HEX SOCKET HD CAP SCREW, 5/16 - 18 X 1	43	59
F1727	PLASTI-RIVET	27	6	F1997	LOCK NUT	19	40
F1733	PAN HD SCREW, 10 - 24 X 1/2 - 10 - 24 X 9/16	11	25	F2004	FILL HD SCREW, 8 - 32 X 3/8	7	15
F1734	FILL HD MACHINE SCREW W/SPRING LOCKWASHER, 1/4 - 20 X 1/2	11	29	F2005	HEX SOCKET HD CAP SCREW, 5/16 - 18 X 2-3/4	27	9
F1739	PLAIN WASHER	39	51	F2006	HEX CAP SCREW, 5/16 - 18 X 4-3/4	37	23

PARTS INDEX

Part Number	Description	Pg.	Ref. No.	Part Number	Description	Pg.	Ref. No.
F2008	HEX HD SCREW, 1/4 - 20 X 7/8	15	17	F2A458081	MAGNETO CONTROL LEVER	29	52
F2010	FILL HD SCREW, 10 - 32 X 9/16	15	5	F2A458266	BEVEL PINION W/BEARING	41	35
F2011	PAN HD SCREW, 1/4 - 20 X 1-1/4	39	54	F2A458581	COLLAR W/LOWER CRANKSHAFT SEAL	23	11
F2012	PLAIN WASHER	7	27	F307317	CLIP, TERMINAL BLOCK GROUND	11	21
F2012	PLAIN WASHER	15	18	F307818	BEARING	27	16
F2013	HEX SOCKET HD CAP SCREW, 5/16 - 18 X 1-1/4	27	10	F307818	BEARING, LATCH SHAFT	3	28
F2014	PLAIN WASHER	29	49	F316160	REED	21	10
F2016	FILL HD SCREW, 6 - 32 X 7/8	11	3	F333316	SHAFT, THROTTLE ROLLER	19	42
F2018	SPEED NUT, 1/4 - 20	39	55	F335217-1	BEARING, PISTON PIN	23	3
F2021	FLYWHEEL NUT	7	14	F338618-1	SEAL, SHIFT ROD LOWER	43	45
F2021	FLYWHEEL NUT, 5/8-18	15	1	F366058	BALL BEARING, PROPELLER SHAFT	41	16
F2025	PAN HD SCREW, 10 X 5/8	3	4	F366215	SPACER, PISTON PIN	23	2
F2027	HEX CAP SCREW, 5/16 - 18 X 3	33	41	F366364	ARM, REVERSE LOCK	33	23
F2030	HEX HD CAP SCREW, 1/4 - 20 X 1-1/4	43	54	F366727	BALL, PROPELLER SHAFT	41	20
F2033	GROOVE PIN	17	31	F366801	FITTING	27	14
F203965	SHOCK MOUNT UPPER THRUST	37	39	F381896-4	CABLE, BATTERY ENTRY	11	13
F2040	HEX CAP SCREW, 1/4 - 20 X 5/8	9	21	F385433	TILT STOP	33	31
F2040	HEX HD MACHINE SCREW W/SPRING LOCKWASHER, 1/4 - 20 X 5/8	7	19	F385647	CARRYING HANDLE	37	38
F2066	PAN HD SCREW, 10 X 7/16	3	6	F391926-1	PLUNGER	17	32
F2095	SPRING PIN	33	30	F40008	STUD, SHORT	43	39
F2097	SPRING PIN	41	23	F40017-2	PISTON PIN	23	4
F2107	SLOTTED FILL HD SCREW W/SPRING LOCKWASHER, 10 - 24 X 5/8	3	25	F40209	CARBURETOR STUD	21	3
F213274	GREASE FITTING	35	44	F40342	SEAL, PROPELLER NUT	41	11
F213342	SEAL, FUEL LINE COUPLER	45	1	F40717	THRUST WASHER	41	19
F213735	SEAL, FUEL LINE COUPLER	45	2	F407446	CLAMP, BATTERY CABLE	11	30
F24074	CLAMP SCREW FOOT	33	32	F40906-1	FLANGE GASKET	17	9
F24342	SEAL, INLET WATER LINE	41	5	F40906-1	GASKET, CARBURETOR	29	-
F24342	SEAL, WATER LINE UPPER	37	5	F409251-1	GAUGE CAP	45	10
F269052	BEARING, SHIFT LEVER	27	24	F40956	BRACKET, SHOCK MOUNT UPPER THRUST	37	42
F269122-1	SEAL, CRANKCASE PARTING LINE	29	62	F411420	RETAINER, SWITCH PLATE	11	31
F269319	BEARING, THROTTLE CAM	29	59	F412181-1	PLATE, IGNITION - CANADA	13	40
F286028-1	CRANKSHAFT LOWER MAIN BEARING	23	14	F428096	RETAINER, PISTON PIN	23	1
F286282	WASHER	29	53	F429811	SCREEN, CYLINDER DRAIN	27	34
F286422-1	PIVOT, TILT LOCK	33	8	F433168	GASKET, CARBURETOR ADAPTER	21	5
F286440	STUD, MAGNETO CONTROL LEVER	29	50	F433168	GASKET, CARBURETOR ADAPTER	29	-
F286451	SPACER, TILT LOCK	33	9	F433209-1	STUD, THROTTLE CAM	29	61
F286544-1	SPRING, TILT LOCK	33	11	F433404	DEFLECTOR PLATE	21	7
F286772-1	CLAMP	15	27	F433406	GASKET, DEFLECTOR PLATE	21	8
F286772-1	CLAMP, FUEL PUMP TO CARBURETOR HOSE	11	38	F433406	GASKET, DEFLECTOR PLATE	29	-
F288075	HANDLE, STERN BRACKET CLAMP SCREW	33	34	F434767	BUSHING, FUEL LINE	3	32
F296898	TERMINAL	11	23	F435077	SCREEN, WATER INLET	43	46
F298788	FERRULE	45	4	F435562	WATER PUMP BACK PLATE	43	49
				F435705	GEAR SHIFT ROD LOWER	41	36
				F436314-1	ELBOW, DRAIN HOSE	27	30
				F436541	TILT LOCK - PORT	33	10
				F438165	SCREW, FUEL PUMP BOWL	25	11
				F438500	FUEL PUMP BOWL	25	10
				F438617	GASKET, FUEL PUMP BOWL	25	8
				F438617	GASKET, FUEL PUMP BOWL	29	-
				F438653	SCREEN, FUEL PUMP	25	9
				F438747	FUEL PUMP DIAPHRAGM	25	2
				F438760	FUEL PUMP GASKET	25	1

PARTS INDEX

Part Number	Description	Pg.	Ref. No.	Part Number	Description	Pg.	Ref. No.
F438760	GASKET, FUEL PUMP	29	-	F458320	PACKING, LEG COVER		
F438801	FITTING, FUEL PUMP BODY	25	15		FRONT UPPER PORT . . .	37	30
F438930	RETAINER, SNOUT	43	40	F458322	PACKING, LEG COVER		
F440209	STUD, GEAR SHIFT LEVER	27	28		REAR	37	15
F455305	SEAL, CRANKSHAFT			F458323-1	PACKING, LEG COVER		
	COLLAR	23	12		FRONT	37	31
F458003	STARTER INTERLOCK			F458324	PACKING, LEG COVER		
	LEVER	7	23		FRONT UPPER -		
F458019	KINGPIN	35	47		STARBOARD	37	35
F458028	BEARING, CRANKSHAFT			F458342	SEAL, CRANKSHAFT SPLINE	23	13
	UPPER MAIN	23	19	F458345	PAD, KINGPIN MOUNTING		
F458038-2	SUPPORT PLATE	3	20		PLATE	39	56
F458057	BEARING, DRIVESHAFT			F458347	MOUNT, SUPPORT PLATE .	37	4
	UPPER	43	47	F458371	BRACKET, REMOTE		
F458065-1	WATER PUMP IMPELLER . .	43	50		THROTTLE CABLE	3	23
F458066	THERMOSTAT COVER	29	42	F458424	SPRING, STARTER PAWL		
F458067	GASKET, THERMOSTAT				PLATE	7	9
	COVER	29	-	F458453	GASKET, LEG EXHAUST . . .	31	-
F458067	GASKET, THERMOSTAT			F458453	GASKET, LEG EXHAUST . . .	37	14
	COVER	29	43	F458456	HAND STARTER COLLAR . .	7	13
F458076	TAB, SHOCK MOUNT SIDE .	37	12	F458502	ROD, THROTTLE CAM	29	57
F458109	PLUG, CYLINDER HEAD . . .	27	38	F458509	LINK, MAGNETO STATOR . .	29	56
F458128	DRIVESHAFT FOR			F458531	ROD, SHIFT INTERLOCK . . .	27	20
	STANDARD SHAFT			F458579	SEAL, CRANKCASE	23	10
	MODELS	41	3	F458592	RETAINER, STARTER		
F458133	MOTOR LEG	37	17		PULLEY	7	16
F458146	SEAL, CRANKSHAFT UPPER			F458615	GEAR SHIFT ROD UPPER . .	39	47
	MAIN	27	2	F458727	BALL, SHIFT LEVER DETENT	27	27
F458151	EXHAUST PORT PLATE	29	45	F458736	SEAL, WATER PUMP	43	52
F458152	EXHAUST PORT COVER	29	46	F458754	HOSE, FUEL PUMP TO		
F458154	GASKET, EXHAUST PORT				CARBURETOR	25	14
	PLATE	29	44	F458783	SEAL, SWIVEL BRACKET . .	33	28
F458154	GASKET, EXHAUST PORT			F458845	EXTENSION, MOTOR LEG . .	41	1
	PLATE	31	-	F458846	SPRING	7	21
F458166-2	SCREW, MOTOR LEG TO			F458887	FASTENER, SUPPORT		
	CYLINDER	37	18		PLATE	37	3
F458192	THROTTLE CAM	29	60	F458936	SCREW, CYLINDER HEAD . .	29	39
F458223	GASKET, TRANSFER PORT			F458937	LINER, STARTER HOUSING	7	3
	COVER	27	35	F458962	MOUNT, SIDE UPPER	37	11
F458223	GASKET, TRANSFER PORT			F458963	PLATE, SHOCK MOUNT	37	8
	COVER	31	-	F458970	SPRING, STARTER REWIND	7	7
F458232	STARTER ROPE	7	10	F458972-1	COVER, SHOCK MOUNT		
F458239	STARTER PULLEY	7	8		STARBOARD	37	28
F458244-1	INLET WATER LINE	37	7	F458973-1	COVER, SHOCK MOUNT		
F458244-1	INLET WATER LINE FOR				PORT	37	21
	STANDARD SHAFT			F458977-3	LEVER, SHIFT INTERLOCK . .	27	17
	MODELS	41	7	F460317	CLAMP, SOLENOID FOR		
F458245-1	BAFFLE TILT HANDLE	3	2		ELECTRIC START	29	63
F458277	GASKET, CRANKSHAFT			F460427	BRACKET, STARTER		
	BEARING CAGE	27	4		MOTOR	11	1
F458277	GASKET, CRANKSHAFT			F460573	CLAMP, STARTER MOTOR . .	9	19
	BEARING CAGE	31	-	F460664	STATOR GROUND WIRE . . .	15	6
F458279	GASKET, CYLINDER			F460917	STARTER RELAY	11	19
	EXHAUST	31	-	F460925	ROD	17	33
F458279	GASKET, CYLINDER			F4611952	STRAP, HAND STARTER		
	EXHAUST	37	1		HOUSING	7	20
F458307	SEAL, DRIVESHAFT	43	48	F461774	BRACKET, RETAINER REAR	3	19
F458312	PACKING, LEG COVER SIDE	37	32	F462128	DRIVESHAFT FOR LONG		
F458315	PACKING, LEG COVER SIDE				SHAFT MODELS	41	-
	UPPER	37	36				

PARTS INDEX

Part Number	Description	Pg.	Ref. No.	Part Number	Description	Pg.	Ref. No.
F462840	GROMMET, REMOTE THROTTLE CABLE	3	26	F5H004	SPEEDOMETER	51	-
F462962	SHOCK MOUNT LOWER SIDE	37	19	F5H006	VOLTMETER	52	-
F463864	RETAINER, TILT HANDLE	3	5	F5H008	FUEL GAUGE FLUSH MOUNT	51	-
F476	FUEL LINE ADAPTION KIT	51	-	F5H012	FLUSH MOUNT	52	-
F483300	SPRING	33	27	F5H014	FLUSHING ADAPTER	51	-
F483349-1	REVERSE LOCK	33	25	F5H018	DUAL ENGINE TIE BAR	52	-
F483510-1	LINK, REVERSE LOCK	33	24	F5H019	ANTI-CORROSION KIT	51	-
F483827	LEVER, REVERSE LOCK	33	17	F5H020	CARRYING HANDLE	51	-
F483884	BEARING, REVERSE LOCK	33	22	F5H021	BATTERY EXTENSION CABLE	51	-
F485755	FUEL TANK ADAPTER	45	8	F5H025	ANTI-CORROSION SACRIFICIAL ANODE	51	-
F498618	SEAL, "O" RING	41	30	F5H026	FUEL TAN, 6 GALLON, STEEL	51	-
F498891	GEAR SHIFT ARM PIN	41	29	F5H027	FUEL TANK (ACCESSORY ITEM)	45	9
F50109	PLUG, GEAR HOUSING	41	27	F5H028	SENDING UNIT	51	-
F502161	REED STOP	21	11	F5H029	FUEL TANK ANCHOR	51	-
F504052	BEARING, STARTER INTERLOCK	29	66	F5H055	WATER PUMP KIT	51	-
F504527	STARTER INTERLOCK BEARING CAP	29	67	F5H070	REMOTE ELECTRIC CABLE	51	-
F504809	ROD, STARTER INTERLOCK	29	65	F5H072	OVERHEAT BUZZER KIT	51	-
F510374-1	DECAL, CIRCUIT BREAKER - U.S.A.	11	36	F5H077	IGNITION KEY SWITCH	51	-
F510450-1	RECTIFIER	15	13	F5H078	IGNITION KEY SWITCH	51	-
F510460	CIRCUIT BREAKER	11	24	F5H078	IGNITION SWITCH (ACCESSORY ITEM)	11	12
F510475	IGNITION COIL	15	25	F5H081	BATTERY CABLE	51	-
F513015-1	PISTON	23	6	F5H130	REMOTE CONTROL SURFACE MOUNT (SINGLE LEVER)	51	-
F513388	DISC, WATER PUMP LOCATING	43	57	F5H131	PORT SIDE DECAL KIT	51	-
F513529	GASKET, CYLINDER HEAD	27	36	F5H134	BOAT WHITE LACQUER	51	-
F513529	GASKET, CYLINDER HEAD	31	-	F66480	STUD	33	33
F516662	GEAR, BEVEL, REAR	43	42	F7004	LOCK NUT, 3/8 - 16	27	21
F529029	STATOR TRIGGER	15	16	F7011	HEX NUT, 10 - 24	3	13
F529095	STATOR GROUND WIRE	15	4	F7024	STOP NUT	33	1
F529097	FLYWHEEL	15	2	F72H29	CHRYSLER OUTBOARD MULTI-PURPOSE GREASE	52	-
F529125-1	TUBE, PIVOT STEERING	33	42	F72H30	CHRYSLER OUTBOARD GREASE GUN	52	-
F529286	WASHER, SWIVEL BRACKET FRICTION	33	13	F73H07	STARTER CONVERSION	52	-
F529301	C-D MODULE	15	11	F8000	PLAIN WASHER	31	72
F529358	BRACKET, ELECTRICAL COMPONENTS	15	8	F8011	PLAIN WASHER	5	44
F529390-1	DECAL, REVERSE LOCK - USA	35	48	F8011	PLAIN WASHER	7	24
F529398	DECAL, WIRING - U.S.A.	11	28	F8011	PLAIN WASHER FOR MANUAL START MODEL	19	44
F529726	BEARING, REVERSE LOCK	33	18	F8039	PLAIN WASHER	37	6
F529744	WIRING HARNESS	11	6	F8039	PLAIN WASHER	41	6
F529744	WIRING HARNESS	15	15	F8049	BOWED SPRING WASHER	39	50
F53504	GROMMET, SUPPORT PLATE	3	29	F8056	SPRING LOCKWASHER	11	8
F542163	COVER, SUPPORT PLATE	3	30	F8058	INTERNAL TOOTH LOCKWASHER	27	23
F542269	TILT HANDLE	3	3	F8059	SPRING LOCKWASHER	15	23
F542686	COVER, KINGPIN MOUNTING PLATE	39	53	F8065	SPRING LOCKWASHER	41	32
F543061	CARBURETOR COMPLETE	19	43	F8077	WASHER, GEAR HOUSING PLUG	41	28
F572180	TRIM, REAR	3	8	F8078	LOCKWASHER #8	15	21
F590	REMOTE CONTROL FLUSH MOUNT	52	-	F8083	SPRING LOCKWASHER	9	26
F596	CHRYSLER OUTBOARD OIL	52	-	F8083	SPRING LOCKWASHER	11	34
F597	CHRYSLER OUTBOARD GEAR LUBE	52	-	F8083	SPRING LOCKWASHER	33	6

PARTS INDEX

Part Number	Description	Pg.	Ref. No.	Part Number	Description	Pg.	Ref. No.
F8088	PLAIN WASHER	11	35	FA434616	GEAR SHIFT ROD		
F8088	PLAIN WASHER	17	35		INTERMEDIATE FOR		
F8094	PLAIN WASHER	33	19		STANDARD SHAFT		
F8096	SPRING LOCKWASHER	3	38		MODELS	43	55
F8096	SPRING LOCKWASHER	11	15	FA435116	EXHAUST SNOUT	43	41
F8096	SPRING LOCKWASHER	37	29	FA435616	GEAR SHIFT ROD		
F82056	SWIVEL, SHIFT INTERLOCK				INTERMEDIATE FOR		
	LEVER	27	15		LONG SHAFT MODELS	43	-
F84026	SWIVEL, SHIFT INTERLOCK			FA438431	FUEL PUMP BODY		
	BEARING	27	19		W/VALVES	25	6
F84035-2	BEARING, SHIFT			FA458144	CRANKSHAFT BEARING	27	3
	INTERLOCK ROD	27	18	FA458158	REED PLATE W/REEDS,		
F84314-2	ELBOW, CARBURETOR	17	39		STOPS AND SCREWS	21	9
F84449	SWITCH, STARTER			FA458167	CARBURETOR ADAPTER	21	4
	INTERLOCK	11	2	FA458254	HOSE, DRAIN W/CHECK		
F84792	FUEL PUMP GASKET	25	5		VALVE	27	13
F84792	GASKET, FUEL PUMP			FA458480	RETAINER, ENGINE COVER		
	VALVE	29	-		REAR W/SCREWS AND		
F85372	PIN, GEAR SHIFT ROD				NUTS	3	14
	LOWER	41	38	FA458571	ROLLER, CENTER MAIN	23	9
F85498	FLYWHEEL KEY	23	18	FA458662	BEVEL GEAR REAR		
F8559	DOWEL PIN	27	11		W/BUSHING	41	18
F85610	BEARING	37	41	FA458778	RETAINER, ENGINE COVER		
F85634-2	SCREW, CONNECTING ROD	23	15		FRONT W/SCREWS AND		
F85735-1	SEAL	3	11		NUTS	3	41
F85756	PACKING, ENGINE COVER	3	17	FA460423	STARTER PAWL PLATE		
F85843-1	CABLE, ELECTRIC				ASSEMBLY	7	18
	CONTROL	11	27	FA463260	PISTON RING SET (4 PER		
F85924	CHOKE SOLENOID	11	7		SET)	23	7
F89777-1	CAM, ENGINE COVER			FA468655	LINER, CENTER MAIN	23	8
	LATCH	3	39	FA502554	GEAR HOUSING UPPER	43	44
F901011	WASHER, SWIVEL BRACKET	35	46	FA504082	MAGNETO STARTOR RING	27	5
F901169-1	BEARING, SWIVEL			FA504222	TRANSFER PORT COVER	27	32
	BRACKET	33	29	FA510497	TERMINAL BLOCK	11	22
F901563	DRIVE PIN, WATER PUMP			FA510914	SEAL, INLET WATER LINE		
	IMPELLER	41	4		LOWER	43	53
F901631-1	FRICTION SHOE	33	5	FA513060	WATER PUMP BODY	43	51
F901775	PLATE, FRICTION SHOE	33	4	FA513518	CYLINDER HEAD W/PLUGS	27	37
F9018	CAP, PIVOT STEERING			FA529072	SWIVEL BRACKET,		
	TUBE	33	16		W/BEARINGS AND		
F901822-1	STUD, SWIVEL BRACKET	33	3	FA538395	GREASE FITTINGS	35	45
F9022	SHIM .006" (SILVER)	7	17		PLATE, IDENTIFICATION		
F9023	SHIM .007" (BRASS)	7	-	FA572396	W/SCREWS	3	33
F9024	SHIM .010" (BLACK)	7	-		DECAL, ENGINE COVER -		
F90619-1	YOKE, GEAR SHIFT ARM	43	58	FA572397	STARBOARD	5	-
F90871-3	GEAR SHIFT ARM PIN	41	22		DECAL, ENGINE COVER -		
F91446-1	BRACKET, CIRCUIT			FA572528	PORT	5	45
	BREAKER	11	26		DECAL, ENGINE COVER		
F92759	ROLLER, THROTTLE CAM			FA572892	REAR	3	16
	FOLLOWER	19	41		DECAL, ENGINE COVER		
F97008-1	STUD, LONG	41	31	FA573386	FRONT	5	42
F97772	FUEL LINE CLAMP	25	12	FA573711	DECAL, NUMERAL 30	3	40
F98273	ROD END CONNECTOR			FA84754-1	PLATE, FRONT	5	43
	STUD	27	22		FUEL LINE SHORT		
F99521-1	CLUTCH	41	24		W/FERRULES	45	5
FA324113	STERN BRACKET LOCK BAR			FA85754-1	HOSE, FUEL PUMP TO		
	W/END	33	40		BUSHING	25	13
FA368700	IGNITION KEY - NO LETTER			FA94094-2	PROP NUT W/SEAL AND		
	OR STAMPED A	11	39		COTTER PIN	41	9
				FB368700	IGNITION KEY - STAMPED B	11	-

PARTS INDEX

Part Number	Description	Pg.	Ref. No.	Part Number	Description	Pg.	Ref. No.
FC368700	IGNITION KEY - STAMPED C	13	-	FO16620	THROTTLE SHAFT		
FC409398	DECAL, TOTE TANK - CANADA (NOT SHOWN)	45	-	FO17486	POSITION "E" RING	17	23
FC458254	HOSE, DRAIN CANADA	27	-	FO17907	THROTTLE SHUTTER	17	27
FC503227	SPARK PLUG (CHAMPION QL-77-4J) FOR CANADA	29	-	FO2510	THROTTLE SHAFT AND LEVER	17	22
FC510374	DECAL, CIRCUIT BREAKER - CANADA	11	-	FO4326	FUEL BOWL RETAINING SCREW GASKET	17	15
FC513390	DECAL STARTER - CANADA (NOT SHOWN)	9	-	FO8942	BODY CHANNEL WELCH PLUG	17	2
FC514010	SHORT BLOCK FOR ALTERNATOR MODELS.	27	-	FO8942	THROTTLE SHUTTER RETAINING SCREW AND LOCKWASHER	17	28
FC529398	DECAL, WIRING - CANADA	11	-	FP273	PROPELLER (ACCESSORY ITEM)	41	8
FD368700	IGNITION KEY - STAMPED D	13	-	FS174227	SPARK PLUG (L-4-J)	29	40
FE368700	IGNITION KEY - STAMPED E	13	-	FS409752	FUEL LINE COMPLETE (NOT SHOWN)	45	-
FG1014	GASKET SET	29	71	FS460955	STARTER MOTOR COMPLETE.	9	-
FK1026	LONG LEG CONVERSION KIT	51	-	FS529032	STERN BRACKET, STARBOARD, W/CLAMP, SCREW AND FOOT	35	43
FK1053	WATER PUMP KIT	43	60	FS529532	STERN BRACKET PORT, W/CLAMP, SCREW AND FOOT	33	14
FK1068	GEAR HOUSING SEAL KIT	43	61	FS529712	ENGINE COVER, W/FRONT AND REAR RETAINERS	3	1
FK247	PROPELLER PIN, PACK OF 6 W/COTTER PIN	41	12	FS548023	BEVEL GEAR FRONT W/BEARING	41	25
FK750-3	SPARKIE KIT	15	26	FS901244	EXTENSION, INLET WATER LINE	43	56
FK85228	BEARING CAGE W/ROLLERS (16 PER SET)	23	16	FT2910	KNOCK-OFF NUT	46	-
FO10165	INLET SEAT GASKET	17	19	FT2953	SOCKET	47	-
FO10280	CHOKE SHUTTER RETAINING SCREW AND LOCKWASHER	17	8	FT2954A	TEST WHEEL	48	-
FO10588	BODY CHANNEL CUP PLUG	17	1	FT2961	LUBRICANT - RYKON #2EP	50	-
FO10790	INLET NEEDLE, SEAT AND GASKET	17	18	FT2962-1	SEALANT - 50 CC LOCTITE H, NON-HARDENING GRADE	50	-
FO10883	CHOKE RELIEF VALVE SPRING	17	4	FT2963-1	SEALANT - 2 OZ. LOCTITE D, HARDENING GRADE	50	-
FO11103	IDLE MIXTURE SCREW SPRING	17	17	FT2987-1	LUBRICANT - ANTI-SEIZE	50	-
FO12250	CHOKE SHUTTER	17	7	FT2990	PISTON PIN REMOVER	47	-
FO12251	CHOKE RELIEF VALVE	17	3	FT2996	RING COMPRESSOR	47	-
FO13552	FUEL BOWL	17	12	FT8904	FORWARD BEARING CUP INSTALLER	49	-
FO13554	FLOAT	17	10	FT8907	DRIVER HANDLE	49	-
FO13944	FLOAT LEVER PIN	17	11	FT8918	BUSHING GUIDE SET	49	-
FO13945	FUEL BOWL RETAINING SCREW	17	14	FT8919	SPRING PIN PUNCH	49	-
FO14108	MAIN FUEL JET .064 - STANDARD	17	20	FT8921	FORWARD BEARING CUP REMOVER	49	-
FO14166	IDLE MIXTURE SCREW	17	16	FT8926	RING EXPANDER	47	-
FO14186	MAIN FUEL JET .060 - 3750 - 6250 FT. (OPT.)	17	-	FT8932	LIFTING HOOK	48	-
FO14187	MAIN FUEL JET .062 - 1250 - 3750 FT. (OPT.)	17	-	FT8935	SEALANT PRIMER - 6 OZ.	50	-
FO15213	MAIN NOZZLE	17	21	FT8936	SEALANT - 2 CC LOCTITE RETAINING COMPOUND #75	50	-
FO1533	HEX HD MACHINE SCREW, 1/4 - 20 X.7/8	21	1	FT8948-1	PROPELLER SHAFT BEARING CAGE PULLER	49	-
FO15337	MAIN FUEL JET .058 - 6250 - 8250 FT. (OPT.)	17	-	FT8950	LEAKAGE TESTER	48	-
FO15623	FUEL BOWL GASKET	17	13	FT8957	SEAL INSTALLER	49	-
FO16397	CHOKE SHAFT RETURN SPRING	17	6				
FO16562	CHOKE SHAFT AND LEVER	17	5				

PARTS INDEX

Part Number	Description	Pg.	Ref. No.	Part Number	Description	Pg.	Ref. No.
FT8962	BEARING INSTALLER	49	-				
FT8964	BEARING REMOVER	49	-				
FT8967	SEAL PROTECTOR	47	-				
FT8969	LUBRICANT - 7 OZ. 2 PSI LUBRICANT	50	-				
FT8971	SEAL INSTALLER	47	-				
FT8972	DRIVESHAFT SEAL INSTALLER	49	-				
FT8976	SEAL PROTECTOR	47	-				
FT8977	SEAL COLLAR INSTALLER	47	-				
FT8983	SEALANT	50	-				
FTA2937-1	TIMING TOOL	46	-				
T8974	POINT TENSION GAUGE	48	-				
21-817741A1	VALVE, CHECK	27	33				
32-817738A1	FUEL LINE, LONG W/CLAMP AND FERRULE	45	7				
44-819500A3	PROPELLER SHAFT	41	21				
400-818061A1	CRANKSHAFT W/LOWER MAIN BEARING	23	17				
600-818052A4	CONNECTING ROD W/CAP AND SCREWS	23	5				
1600-817804A3	GEAR HOUSING LOWER W/PLUG, WASHER AND THRUST BEARING CUP	41	26				
1600-817896A2	LOWER GEAR HOUSING COMPLETE (NOT SHOWN)	41	-				