



# PARTS CATALOG

## 75 H.P.

### SERIAL NUMBER

75 (1980) .....	757B0F
75 (1980) .....	757H0F
75 (1980) .....	758BOB
75 (1980) .....	758H0B

# TABLE OF CONTENTS:

ACCESSORIES .....	56
CARBURETOR .....	16
CRANKSHAFT AND PISTON GROUP .....	28
DISTRIBUTOR .....	10
ELECTRIC STARTER .....	14
ELECTRICAL COMPONENTS .....	6
ENGINE COVER AND SUPPORT PLATE .....	2
FUEL TANK AND LINE .....	40
GEAR HOUSING .....	34
MOTOR LEG .....	30
PARTS INDEX .....	60
POWER TRIM UNIT .....	46
POWERHEAD .....	22
REMOTE CONTROL .....	42
SPECIAL TOOLS - GEAR HOUSING .....	52
SPECIAL TOOLS - LUBRICANTS AND SEALANTS .....	54
SPECIAL TOOLS - POWER HEAD .....	51
SPECIAL TOOLS - REPAIR DECALS - ENGINE COVERS .....	55
SPECIAL TOOLS - TEST EQUIPMENT .....	53
SPECIAL TOOLS - TUNE-UP .....	50

**NOTE:** Indented description indicate that these parts are included in preceeding assembly.

**AR** = As Required

**NSS** = Not Sold Separate

**OPT** = Optional

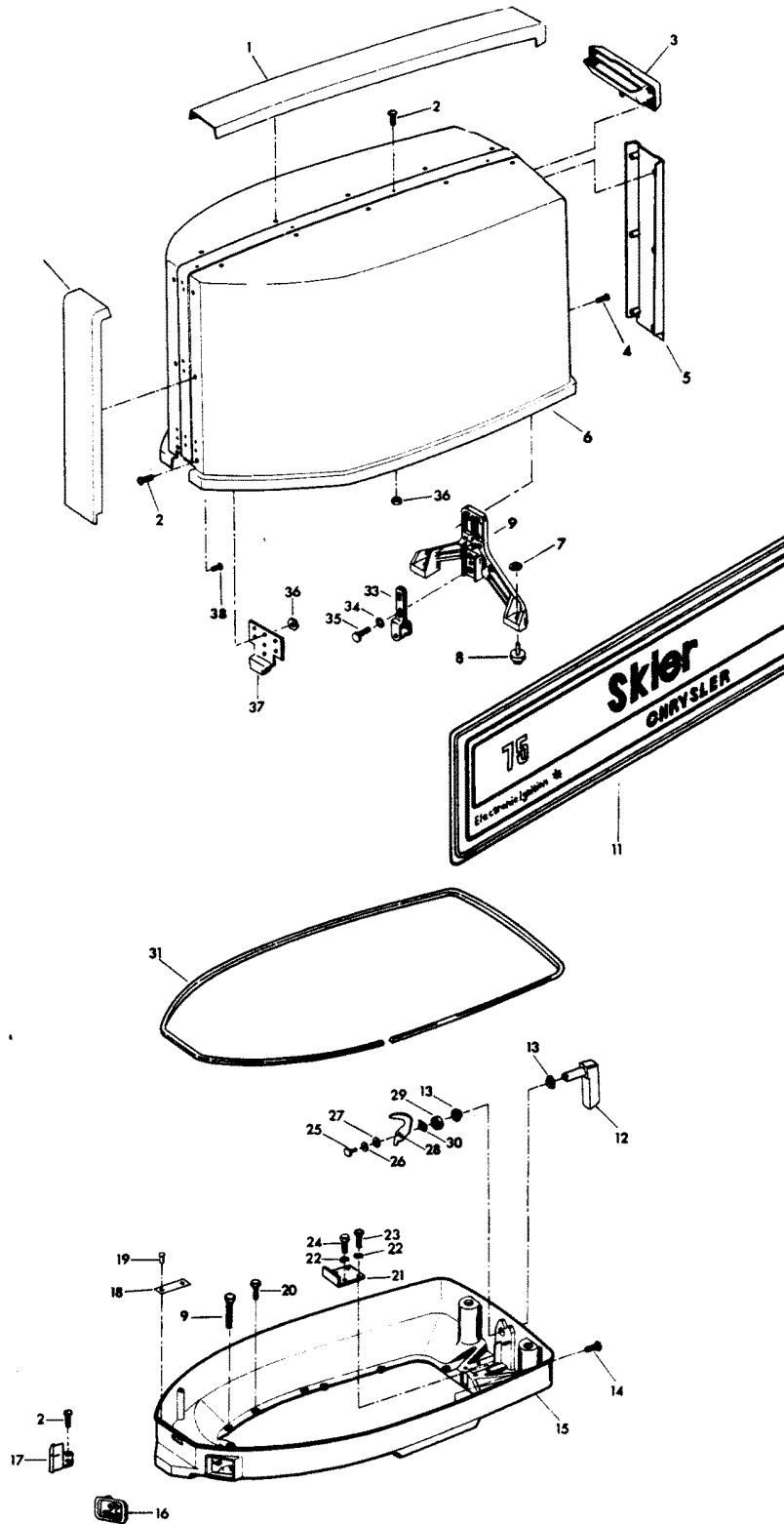
**NS** = Not Shown

**THESE PARTS BOOKS/FICHE CARD ARE COPYRIGHTED AND MAY NOT BE DISTRIBUTED OR REPRODUCED IN ANY OTHER FORMAT BY ANYONE OTHER THAN MERCURY MARINE WITHOUT THE PRIOR WRITTEN CONSENT OF MERCURY MARINE.**

THIS PAGE INTENTIONALLY LEFT BLANK

# ENGINE COVER AND SUPPORT PLATE

Order by Part Number and Name, giving Motor Model and Serial Number.



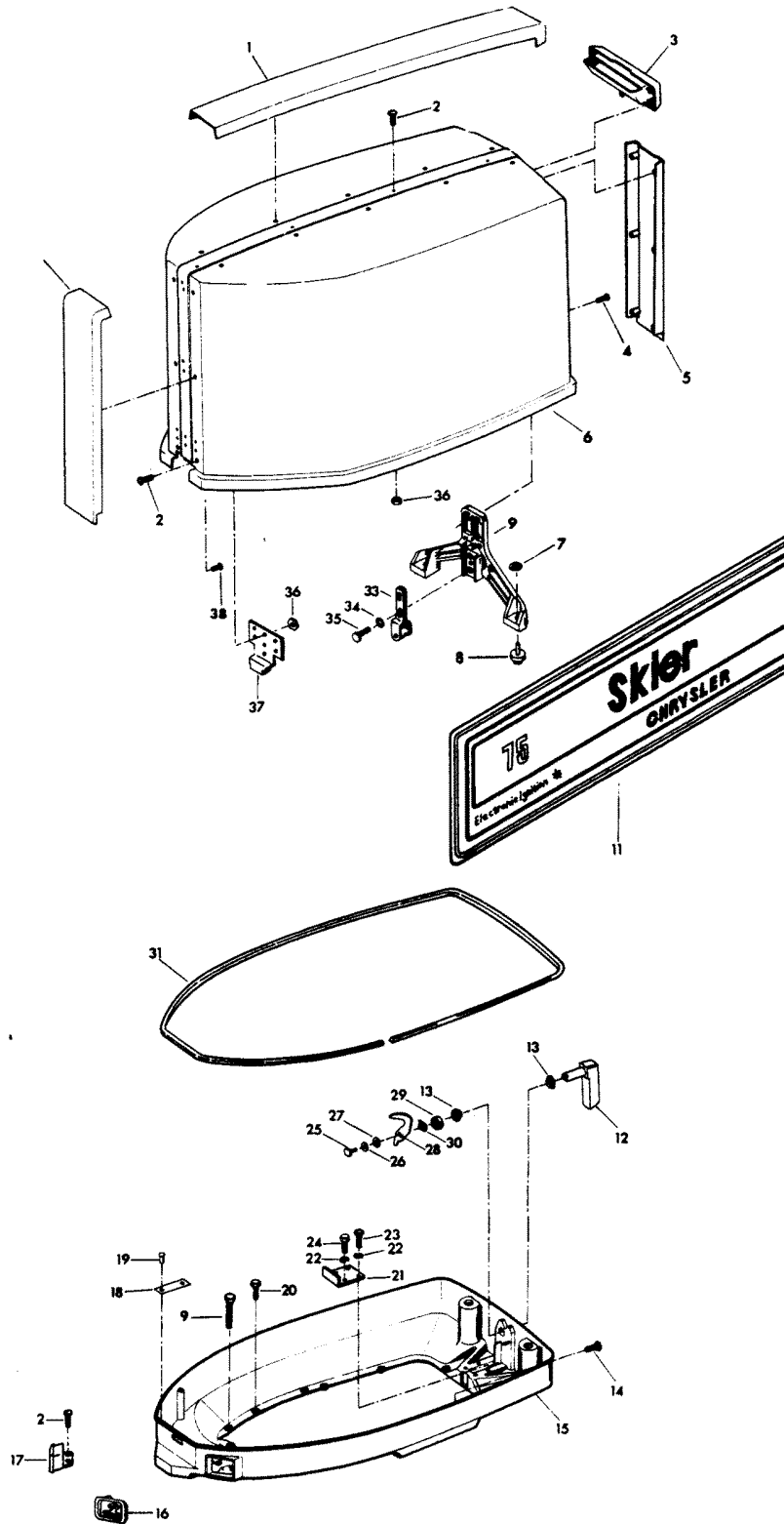
# ENGINE COVER AND SUPPORT PLATE

REF. NO.	PART NO.	SYM.	QTY.	DESCRIPTION
1	FA480179		1	TRIM, TOP W/LITERATURE
2	F1733		10	SCREW, PAN HD, 10 - 24 X 9/16
3	FA480269		1	HANDLE, TILT W/LITERATURE
4	F1730		3	SCREW, PAN HD W/SPRING LOCKWASHER, 1/4 - 20 X 5/8
5	FA548180		1	TRIM, REAR W/LITERATURE
6	FA549944		1	COVER, ENGINE W/RETAINER
-	<b>3C579944</b>		<b>1</b>	<b>COVER, ENGINE - COMPLETE INCLUDES ITEMS MARKED WITH AN ASTERISK (*)</b>
7	F2088		2	FASTENER
8	F481434		2	GUIDE, ENGINE COVER
9	F481774		1	BRACKET, ENGINE COVER LATCH
11	FA579397		1	DECAL, ENGINE COVER - PORT W/LITERATURE
-	<b>FA579396</b>		<b>1</b>	<b>DECAL, ENGINE COVER STARBOARD W/LITERATURE</b>
12	FA481469		1	LATCH HANDLE, ENGINE COVER W/SHAFT
13	F480818		2	BEARING, LATCH SHAFT
14	F1535		6	HEX CAP SCREW, 1/4 - 20 X 3/4
15	F480038-2		1	PLATE, SUPPORT
16	F549189		1	BUSHING, ELECTRIC CABLE
17	F545189		1	BUSHING, CABLE ENTRY
18	FA535395		1	IDENTIFICATION PLATE, W/SCREWS - USA
-	<b>FAC535395</b>		<b>1</b>	<b>IDENTIFICATION PLATE, W/SCREWS - CANADA</b>
19	F1447		2	ROUND HD SCREW, 2 X 3/16
20	F1540		5	HEX SLOT HD SCREW, 1/4 - 20 X 5/8
21	F335654-1		1	STOP, DEFLECTION
22	F8096		4	LOCKWASHER
23	F1857		2	HEX CAP SCREW, 5/16 - 18 X 5/8
24	F1858		2	HEX CAP SCREW, 5/16 - 18 X 1
25	F1541		2	HEX CAP SCREW, 1/4 - 20 X 5/8
26	F8083		1	LOCKWASHER
27	F8004		1	WASHER, PLAIN
28	F481777		1	CAM, LATCH SHAFT
29	F481382-1		1	SPACER, LATCH SHAFT
30	F2047		1	WAVE WASHER
31	F321756		1	PACKING
32	F1708		2	HEX HD CAP SCREW, 1/4 - 20 X 1 3/8
33	FA481743		1	LATCH, ROLLER BRACKET W/ROLLER
34	F8096		2	LOCKWASHER
35	F1857		2	HEX CAPSCREW, 5/16 - 18 X 5/8
36	F1473		7	HEX NUT, 10 - 24

CONTINUED ON NEXT PAGE ➡

# ENGINE COVER AND SUPPORT PLATE

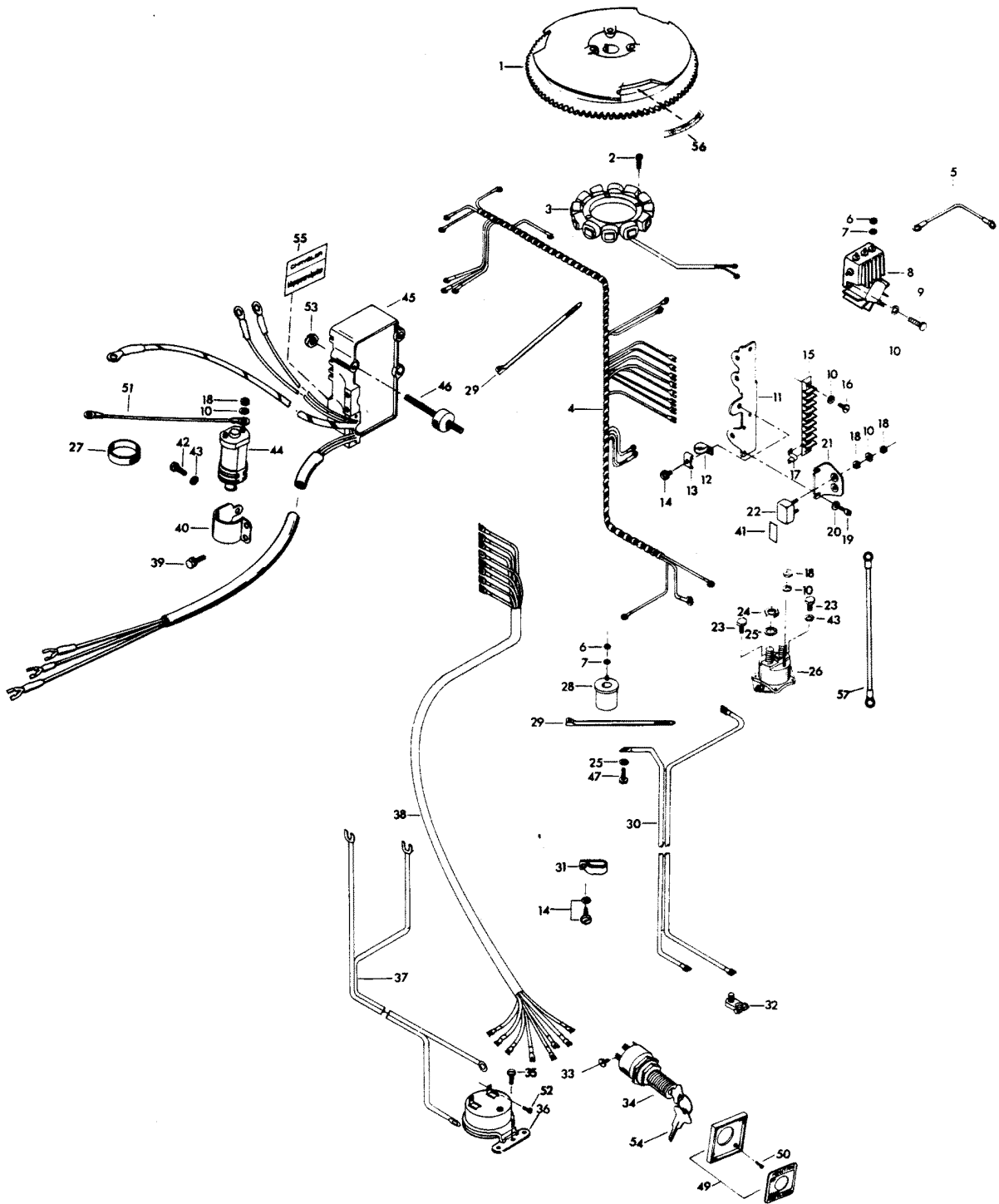
Order by Part Number and Name, giving Motor Model and Serial Number.



## ENGINE COVER AND SUPPORT PLATE

REF. NO.	PART NO.	SYM.	QTY.	DESCRIPTION
37	F333480-1		1	RETAINER, ENGINE COVER
38	F2066		26	PAN HEAD TAPPING SCREW, 10 X 7/16
40	FA548888		1	TRIM, FRONT W/LITERATURE
-	<b>F548984</b>		<b>1</b>	<b>BLANKET, SILENCER - TOP (NOT SHOWN)</b>
-	<b>F548985</b>		<b>2</b>	<b>BLANKET, SILENCER - SIDE (NOT SHOWN)</b>

# ELECTRICAL COMPONENTS



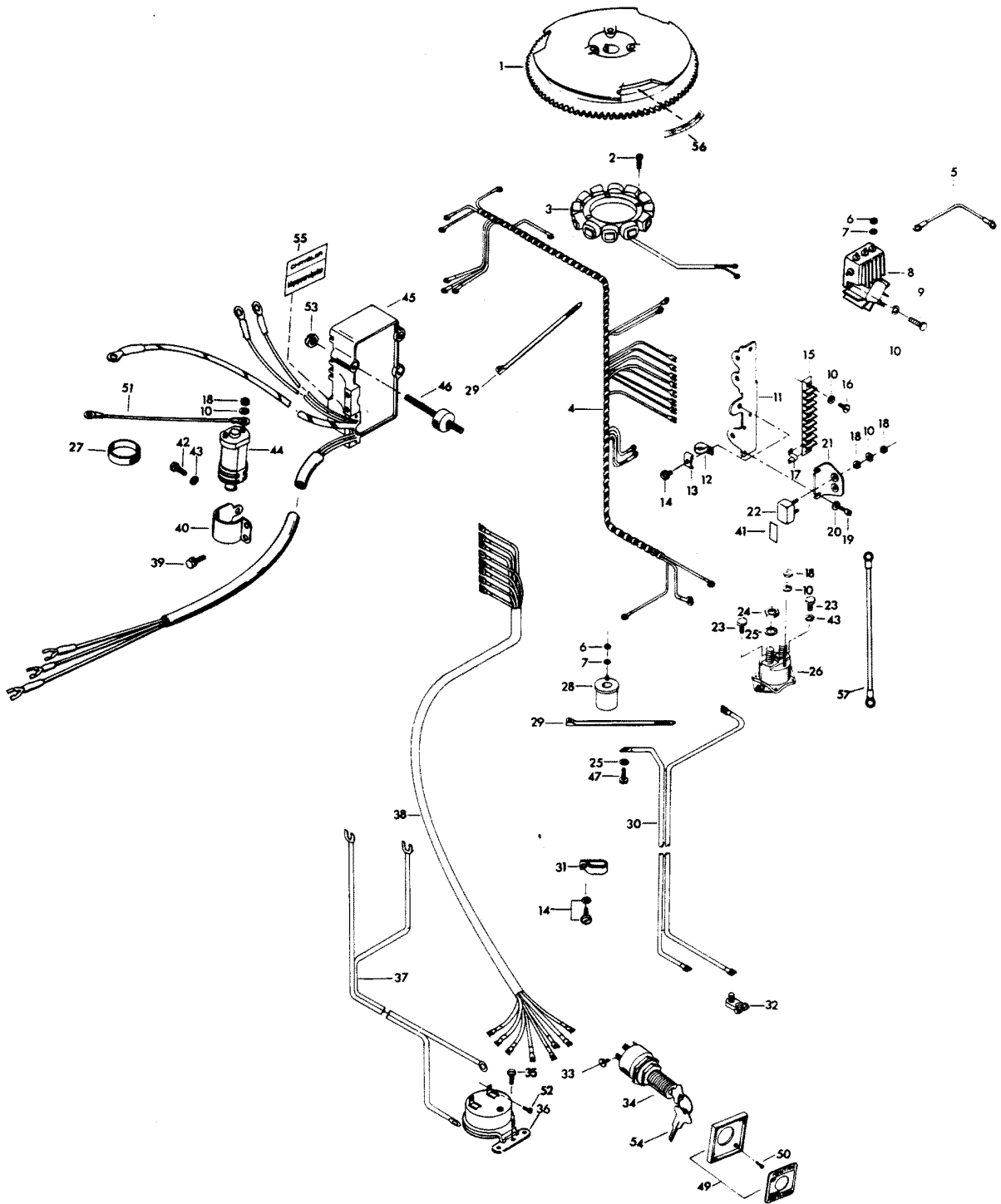


# ELECTRICAL COMPONENTS

REF. NO.	PART NO.	SYM.	QTY.	DESCRIPTION
1	F404097		1	FLYWHEEL
2	F1678		6	FILL HD SCREW, 10 - 24 X 13/16
3	F85095-2		1	STATOR
4	F438744-1		1	WIRING HARNESS
5	F345683		1	WIRE, REGULATOR-RECTIFIER GROUND
6	F1647		5	HEX NUT, 8 - 32
7	F8056		5	SPRING LOCKWASHER
8	F404470-1		1	REGULATOR-RECTIFIER
9	F2107		3	FILL HD SCREW, 10 - 24 X 5/8
10	F1975		11	SPRING LOCKWASHER
11	FA438493		1	TERMINAL BLOCK BRACKET <b>WILLUS. 13, 14 AND ILLUS. 6 ON PAGE 14</b>
12	F289446-1		1	CLAMP
13	F438668		1	RETAINER, CABLE CLAMP
14	F1734		2	FILL HD SCREW W/LOCKWASHER, 1/4 - 20 X 1/2
15	FA510497		1	TERMINAL BLOCK <b>WILLUS. 16 ORIGINAL FORCE P/N K 289497-2</b>
16	F1648		2	PAN HD SCREW, 10 - 24 X 3/4
17	F307317		1	CLIP, TERMINAL BLOCK
18	F1513		8	HEX NUT
19	F1760		2	PAN HD SCREW, 10 - 24 X 3/8
20	F8011		2	PLAIN WASHER
21	F91446-1		1	CIRCUIT BREAKER BRACKET
22	F510460		1	CIRCUIT BREAKER
23	F1536		2	HEX CAP SCREW, 1/4 - 20 X 3/4
24	F1515		2	HEX NUT
25	F8096		3	SPRING LOCKWASHER
26	F460917		1	STARTER RELAY
27	F391983		2	RETAINING BAND
28	F85924		1	CHOKE SOLENOID
29	F1877		2	TY-RAP
30	F381896-4		1	BATTERY CABLE
31	F407446		1	CLAMP
32	F5H041		1	BATTERY CABLE CLAMP KIT. (ACCESSORY ITEM)
33	F1280		5	PAN HD SCREW, 8 - 32 X 1/4
34	F5H078		1	IGNITION SWITCH W/KEYS AND SCREWS ( <b>LONG BARREL</b> ) ( <b>ACCESSORY ITEM</b> )
35	F1741		2	PAN HD SCREW, 8 X 3/4
36	F5H043		1	OVERHEAT BUZZER (ACCESSORY ITEM)
37	F404841		1	CABLE, HEAT INDICATOR
38	F85843-1		1	REMOTE ELECTRIC CABLE, 18 FEET
39	F1851		2	FILL HD SCREW W/LOCKWASHER, 10 - 24 X 1/2
40	F404513		1	COIL CLAMP
41	F510374		1	DECAL, CIRCUIT BREAKER - USA

CONTINUED ON NEXT PAGE ➡

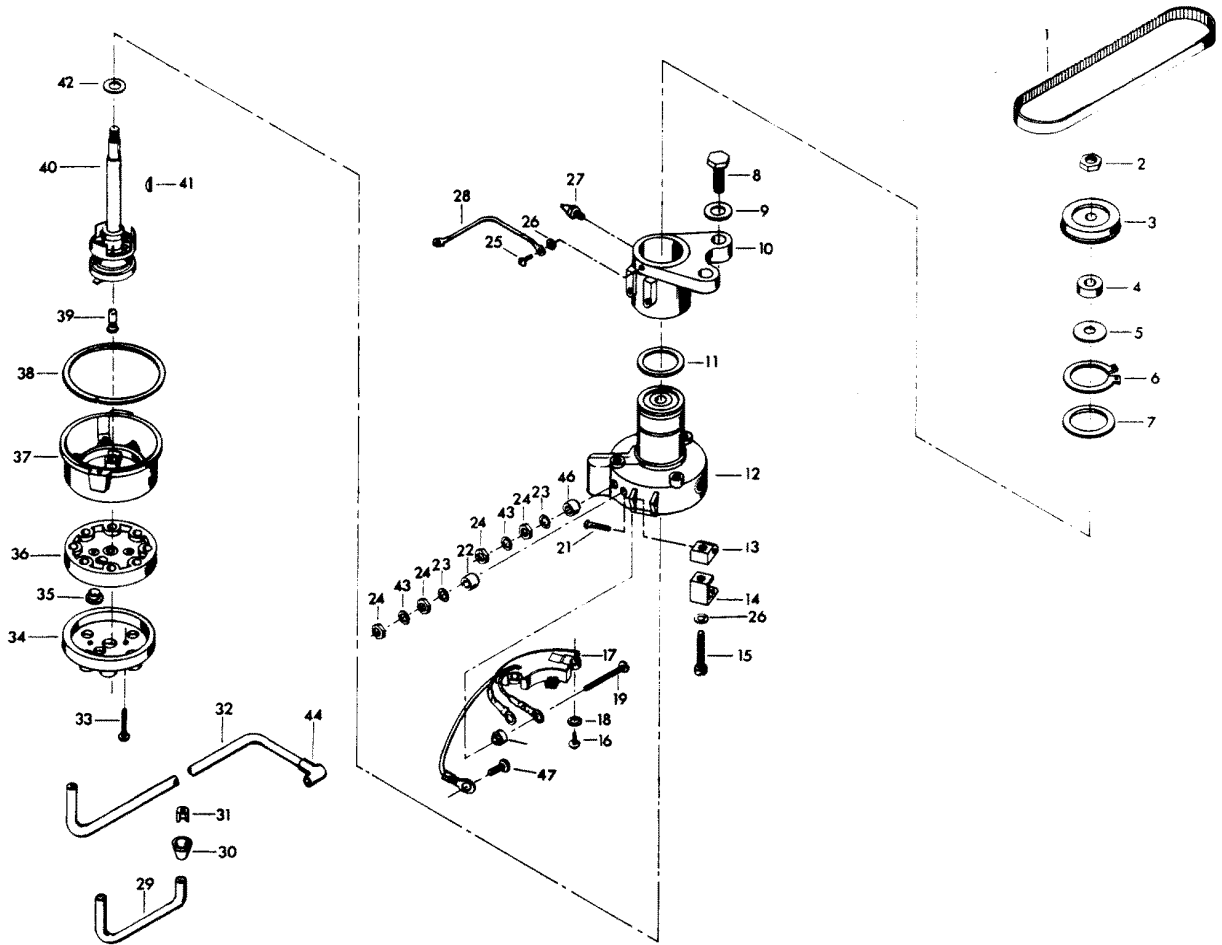
# ELECTRICAL COMPONENTS



# ELECTRICAL COMPONENTS

REF. NO.	PART NO.	SYM.	QTY.	DESCRIPTION
-	<b>FC510374</b>		1	<b>DECAL, CIRCUIT BREAKER - CANADA</b>
42	F1546		1	HEX HD CAP SCREW, 1/4 - 20 X 1/2
43	F8083		2	SPRING LOCKWASHER
44	F345475-1		1	COIL
45	300-817855A1		1	UNIT (ORIGINAL FORCE P/N A 523301-1)(Does not include Coil & Clamp)
46	F523962		3	SHOCK MOUNT - C.D. UNIT
47	F2000		1	HEX CAP SCREW, 5/16 - 18 X 3/4
49	F5H038		1	IGNITION SWITCH MOUNTING KIT (ACCESSORY ITEM)
-	<b>817892--1</b>		1	<b>IGNITION SWITCH PLATE - CANADA (NOT SHOWN)</b>
50	F1934		4	FLAT HD SLOTTED SCREW, 6 X 1/2
51	F85664		1	WIRE, DISTRIBUTOR GROUND
52	F1645		2	RD HD SCREW, 6 - 32 X 1/4
53	F1892		3	STOP NUT
54	FA368700		-	KEY, IGNITION - NO LETTER OR STAMPED A
-	<b>FB368700</b>		-	<b>KEY IGNITION - STAMPED B</b>
-	<b>FC368700</b>		-	<b>KEY IGNITION - STAMPED C</b>
-	<b>FD368700</b>		-	<b>KEY IGNITION - STAMPED D</b>
-	<b>FE368700</b>		-	<b>KEY IGNITION - STAMPED E</b>
55	480373		1	DECAL, MAGNAPOWER IGNITION
56	F474387		1	TIMING DECAL - USA
-	<b>FC474387</b>		1	<b>TIMING DECAL - CANADA</b>
57	F319908		1	WIRE, GROUND

# DISTRIBUTOR

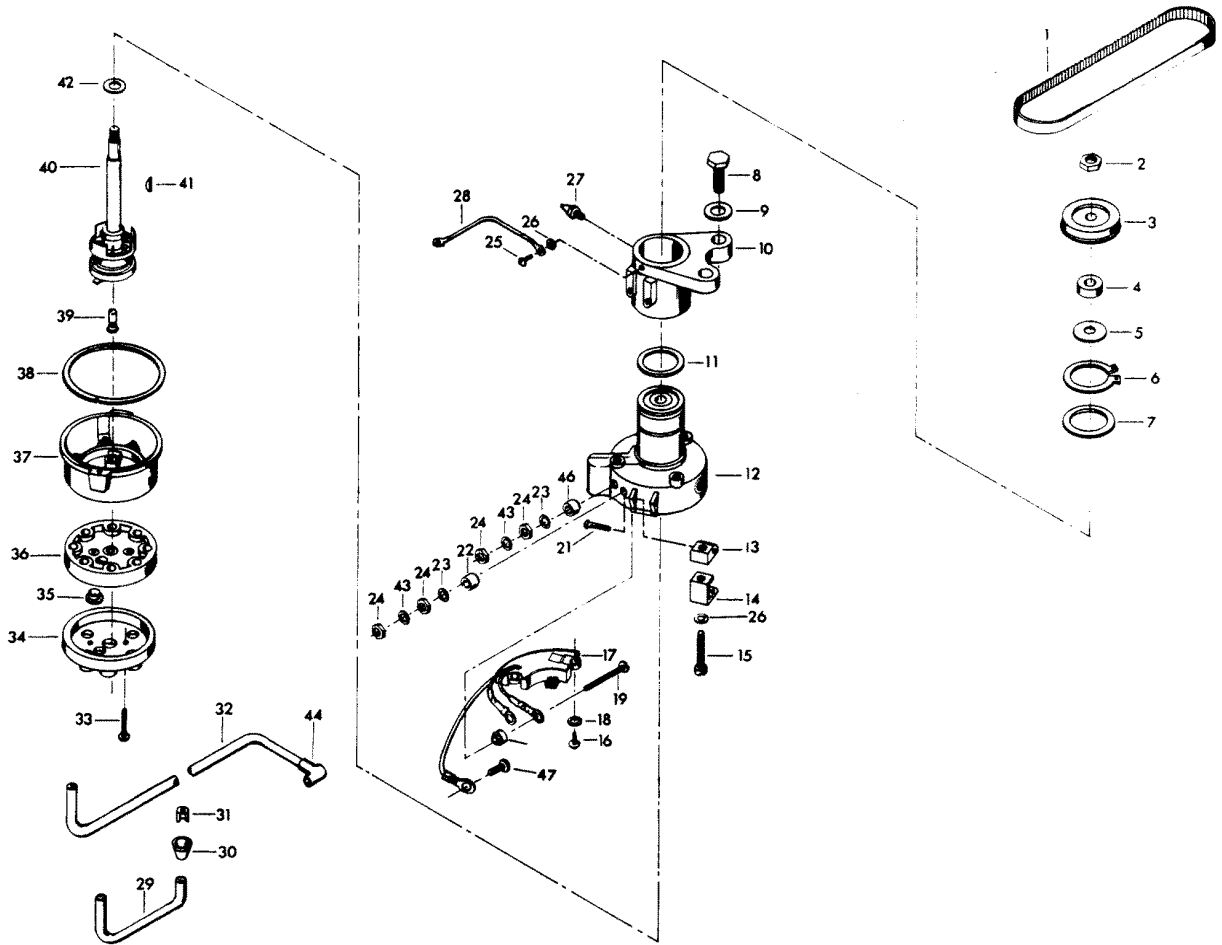


# DISTRIBUTOR

REF. NO.	PART NO.	SYM.	QTY.	DESCRIPTION
1	F85311		1	DISTRIBUTOR BELT
2	F7013		1	STOP NUT
3	817786A1		1	DISTRIBUTOR PULLEY W/STOP NUT AND WASHER
4	F14025		1	SPACER
5	F14028		1	THRUST WASHER
6	F85173		1	RETAINING RING
7	F14029		1	THRUST WASHER
8	F1612		2	HEX CAP SCREW, 3/8 - 16 X 1 1/4
9	F1778		2	PLAIN WASHER
10	FA321574		1	DISTRIBUTOR BRACKET
11	F1759		2	SHIM, DISTRIBUTOR (QTY. AS REQUIRED)
12	F14042		1	DISTRIBUTOR HOUSING W/BEARINGS
-	<b>817822A1</b>		<b>1</b>	<b>DISTRIBUTOR COMPLETE. INCLUDES ALL ITEMS MARKED WITH AN ASTERISK (*) ORIGINAL FORCE P/N A 480309-1</b>
-	<b>481373-1</b>		<b>1</b>	<b>DECAL "ELECTRONIC" (NOT SHOWN)</b>
13	F14036		2	SWIVEL
14	F14037		2	CAP CLIPS
15	F14038		2	CAP CLIP SCREWS
16	F14045		2	SCREW
17	FA14048-2		1	PREAMPLIFIER
18	F8056		2	LOCKWASHER
19	F14046		2	TERMINAL SCREW
20	F14047		2	TERMINAL INSULATOR (INSIDE)
21	F14015		2	CAP CLIP RIVET
22	F14049		1	TERMINAL INSULATOR (OUTSIDE)
23	F14041		2	EXTERNAL TOOTH LOCKWASHER
24	F1647		4	HEX NUT, 8 - 32
25	F1760		2	PAN HD SCREW, 10 - 24 X 3/8
26	F1975		2	SPRING LOCKWASHER
27	F213274		1	GREASE FITTING
28	F85664		1	DISTRIBUTOR GROUND
29	84-817775A1		1	COIL WIRE W/TERMINAL CLIP - USA
-	<b>F438905</b>		<b>1</b>	<b>COIL WIRE - CANADA</b>
30	F203276		1	BOOT
31	F203673		1	TERMINAL CLIP
32	F321841-3		3	LEAD WIRE
-	<b>F438841-1</b>		<b>3</b>	<b>LEAD WIRE - CANADA</b>
33	F14007		2	CAP SCREW
34	F14011-1		1	CAP COVER
35	F14040		2	VENT
36	F14020-1		1	CAP SEAL
37	F14006-2		1	CAP BASE
38	F14030		1	CAP GASKET

CONTINUED ON NEXT PAGE ➡

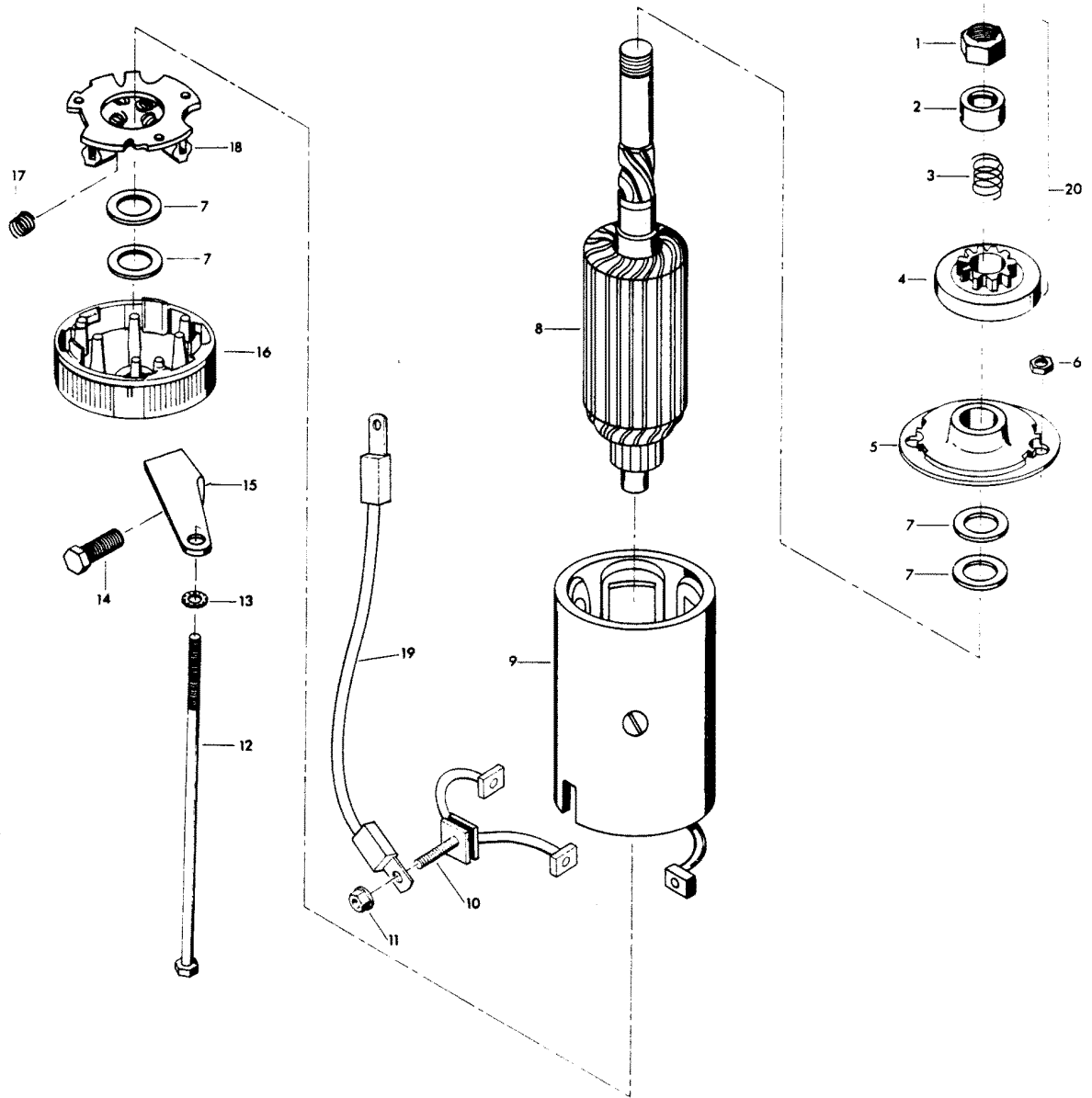
# DISTRIBUTOR



# DISTRIBUTOR

REF. NO.	PART NO.	SYM.	QTY.	DESCRIPTION
39	F14012-1		1	BRUSH
40	F14043		1	DISTRIBUTOR SHAFT
41	F1692		1	WOODRUFF KEY
42	F14024		1	SPACER
43	F8056		2	LOCKWASHER
44	FK750-3		3	SPARKIE
46	F14017		1	TERMINAL INSULATOR (OUTSIDE)
47	F14056		1	SCREW

# ELECTRIC STARTER

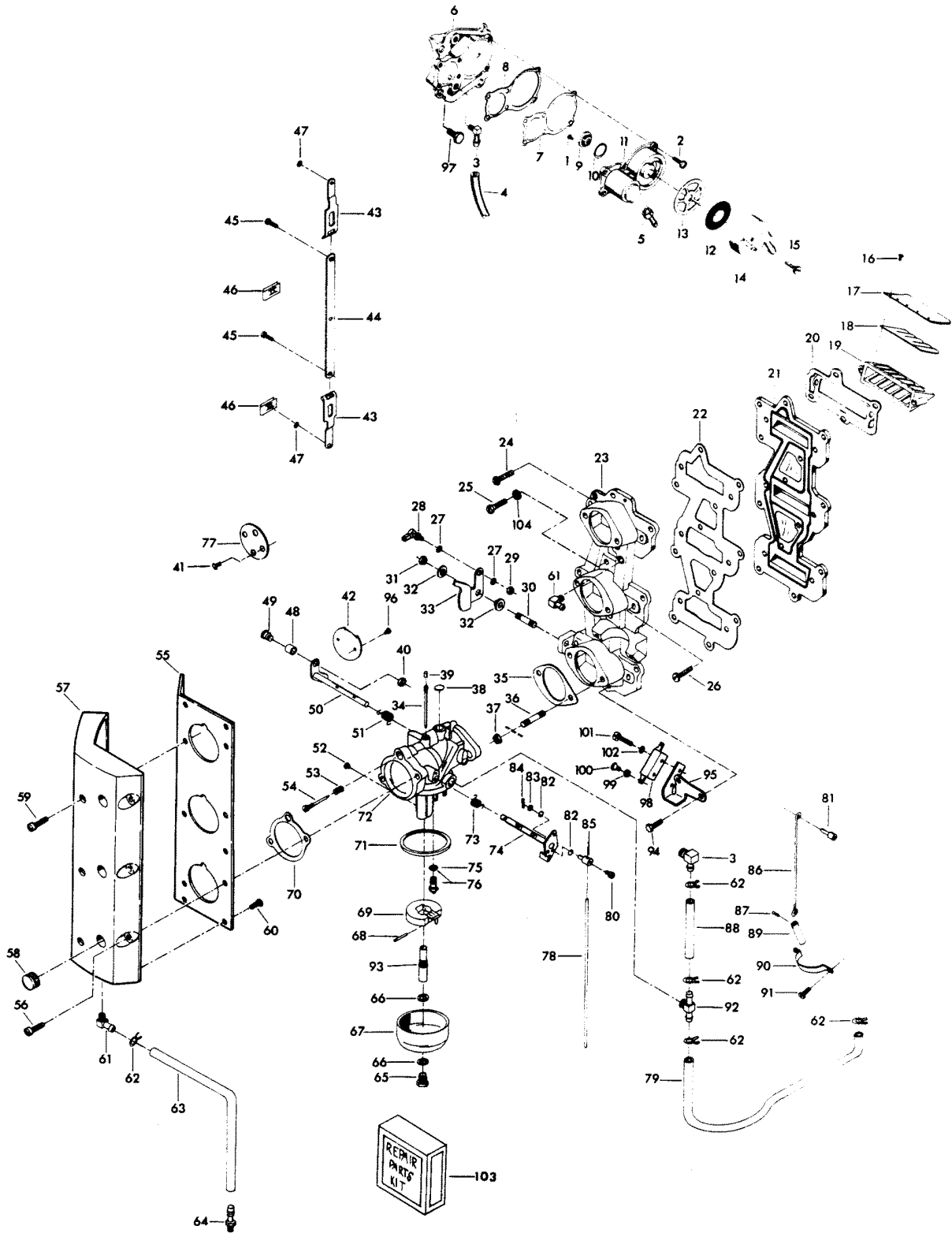




# ELECTRIC STARTER

REF. NO.	PART NO.	SYM.	QTY.	DESCRIPTION
1	F15111		1	NUT, STOP RETAINING
2	F15112		1	STOP, PINION
3	F15080		1	SPRING
4	F15110		1	CLUTCH ASSEMBLY
5	F15167		1	HEAD ASSEMBLY DRIVE END
6	F1641		2	LOCK NUT
7	F15126		1	THRUST WASHER PACKAGE
8	F15099		1	ARMATURE
9	15169		1	FRAME AND FIELD ASSEMBLY
10	F15165		1	BRUSH TERMINAL SET
11	FA15072		1	HEX LOCK NUT, 1/4 - 20
12	F15168		1	THRU BOLT PACKAGE
13	F8028		2	PLAIN WASHER
14	F1502		1	HEX HD SCREW, 1/4 - 20 X 5/8
15	F511675		1	STARTER BRACKET, LOWER
16	F15125		1	HEAD ASSEMBLY, COMMUTATOR END
17	F15034		1	SPRING SET
18	F15057		1	BRUSH PLATE AND HOLDER
19	F85908		1	STARTER LEAD WIRE
20	F15100		1	BENDIX
-	<b>FS480955</b>		<b>1</b>	<b>STARTER COMPLETE. INCLUDES ALL ITEMS MARKED WITH AN ASTERISK (*).</b>
-	<b>FC499390</b>		<b>1</b>	<b>DECAL, STARTER (CANADA) NOT SHOWN</b>

# CARBURETOR

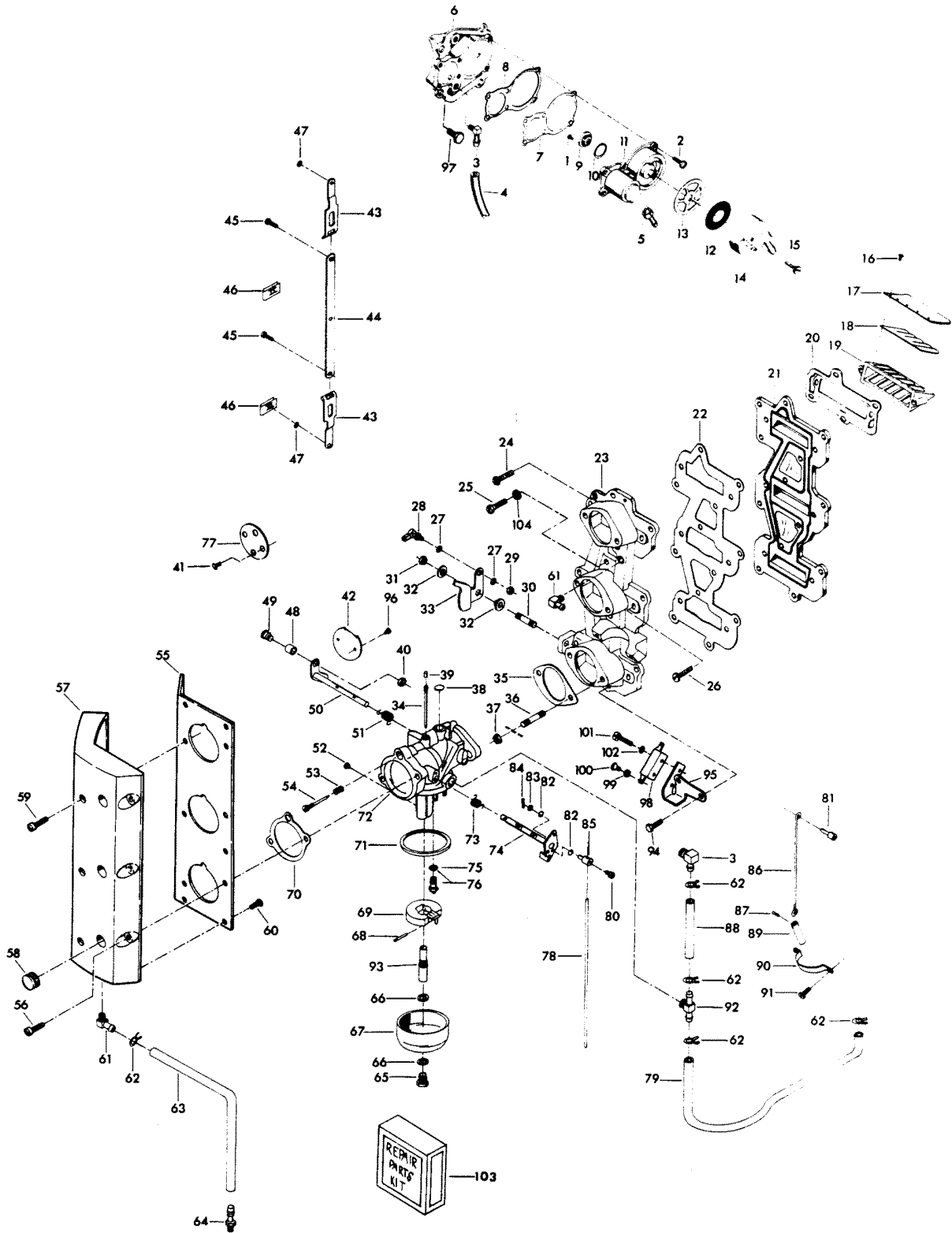


# CARBURETOR

REF. NO.	PART NO.	SYM.	QTY.	DESCRIPTION
1	F1860		2	SLOTTED BINDING HD SCREW, 6 - 32 X 1/4
2	F1108		6	FILL HD SCREW W/LOCKWASHER, 1/4 - 20 X 3/4
3	F84314-2		2	ELBOW
4	F89758		1	FUEL PUMP AIR HOSE, TOP
5	F438801		1	FITTING
6	FA439746		1	FUEL PUMP COVER W/PLUG
7	F438747		1	FUEL PUMP DIAPHRAGM
8	F438760		1	FUEL PUMP GASKET
9	F177330		3	FUEL PUMP VALVE
10	F84792		1	GASKET, FUEL PUMP VALVE
11	FA438431		1	FUEL PUMP BODY W/VALVES
12	F438653		1	FUEL SEDIMENT BOWL SCREEN
13	F438617		1	FUEL SEDIMENT BOWL GASKET
14	F438500		1	FUEL SEDIMENT BOWL
15	F438165		1	SCREW, FUEL PUMP BOWL
16	F1755		30	RD HD SCREW W/LOCKWASHER, 6 - 32 X 5/16
17	F85161-1		6	REED STOP
18	F530160		6	REED (5 PETAL)
19	F3A523158		3	REED PLATE W/REEDS, REED STOP AND SCREW
20	F85168		3	GASKET REED PLATE ADAPTER
21	F85162		1	REED PLATE ADAPTER
22	F85159		1	GASKET, INTAKE MANIFOLD
23	817959A3		1	INTAKE MANIFOLD W/PLUG
24	F2008		7	HEX HD SCREW, 1/4 - 20 X 7/8
25	F1916		2	HEX HD SCREW, 1/4 - 20 X 1 1/8
26	F2050		6	HEX HD SCREW, 1/4 - 20 X 1 1/2
27	F8058		2	INTERNAL TOOTH LOCKWASHER
28	817747--1		1	BALL JOINT W/STUD
29	F1513		1	HEX NUT, 10 - 32
30	F433209-1		1	STUD
31	F1910		1	STOP NUT, 1/4 - 20
32	F269319		2	BEARING
33	F85192-1		1	THROTTLE CAM
34	FO13966		1	IDLE TUBE
35	F85906		3	CARBURETOR GASKET
36	F40209		6	CARBURETOR STUD
37	F1515		6	HEX NUT, 5/16 - 18
38	FO4326		1	BODY CHANNEL WELCH PLUG
39	FO10588		1	BODY CHANNEL CUP PLUG
40	F1997		1	STOP NUT, 8 - 32
41	FO8942		2	SHUTTER SCREW W/LOCKWASHER
42	FO14167		1	THROTTLE SHUTTER
43	FA85193		2	TIE BAR END W/SWIVEL

CONTINUED ON NEXT PAGE ➡

# CARBURETOR



# CARBURETOR

REF. NO.	PART NO.	SYM.	QTY.	DESCRIPTION
44	FA85511		1	THROTTLE TIE BAR W/SWIVEL
45	F1064		2	FILL HD SCREW, S.S., 8 - 32 X 3/8
46	F1693		2	TIE BAR RETAINER
47	F90807		3	RETAINING RING
48	F92759		1	THROTTLE ROLLER
49	F333316		1	THROTTLE ROLLER SHAFT
50	FO15230		1	THROTTLE SHAFT AND LEVER
51	FO16008		1	THROTTLE SHAFT RETURN SPRING
52	FO14188		1	MAIN FUEL JET (.066) STD. SEA LEVEL - 1500 FT.
-	<b>FO14108</b>		-	<b>MAIN FUEL JET (.064) OPT. 1500 FT. - 3000 FT.</b>
-	<b>FO14187</b>		-	<b>MAIN FUEL JET (.062) OPT. 3000 FT. - 4500 FT.</b>
-	<b>FO14186</b>		-	<b>MAIN FUEL JET (.060) OPT. 4500 FT. - 6000 FT.</b>
-	<b>FO15337</b>		-	<b>MAIN FUEL JET (.058) OPT. 6000 FT. &amp; UP. OPTIONAL SIZE MAIN FUEL JETS (USE ONLY AT ALTITUDES INDICATED)</b>
53	FO11103		1	IDLE SCREW SPRING
54	FO14166		1	IDLE SCREW
55	F481567		1	CARBURETOR INTAKE ADAPTER
56	F1504		3	FILL HD SCREW, 1/4 - 20 X 1 1/4
57	F481860-1		1	CARBURETOR, INTAKE
58	F53504		3	GROMMET
59	F1072		3	FILL HD SCREW, 1/4 - 20 X 1 3/4
60	F1760		6	PAN HD SCREW, 10 - 24 X 3/8
61	22-818103--1		2	ELBOW
62	F97772		6	HOSE CLAMP
63	F63754		1	HOSE INTAKE DRAIN
64	22-817789A1		1	DRAIN FITTING
65	FO13945		1	FUEL BOWL RETAINING SCREW
66	FO2510		2	GASKET, FUEL BOWL RETAINING SCREW
67	FO13552		1	FUEL BOWL
68	FO13944		1	FLOAT LEVER PIN
69	FO13554		1	FLOAT
70	F481836		3	INTAKE GASKET
71	FO15623		1	FUEL BOWL GASKET
72	F498061-1		3	CARBURETOR COMPLETE (WB26B)
73	FO16397		1	CHOKE SHAFT RETURN SPRING
74	FO16850		1	CHOKE SHAFT AND LEVER
75	FO10165		1	INLET SEAT GASKET
76	FO10790		1	INLET NEEDLE, SEAT AND GASKET
77	FO14471		1	CHOKE SHUTTER
78	F85509-1		1	CHOKE LINK
79	F438754		1	FUEL LINE
80	F1059		3	FILL HD SCREW, S.S., 6 - 32 X 1/4
81	F85033		1	CHOKE ROD SWIVEL

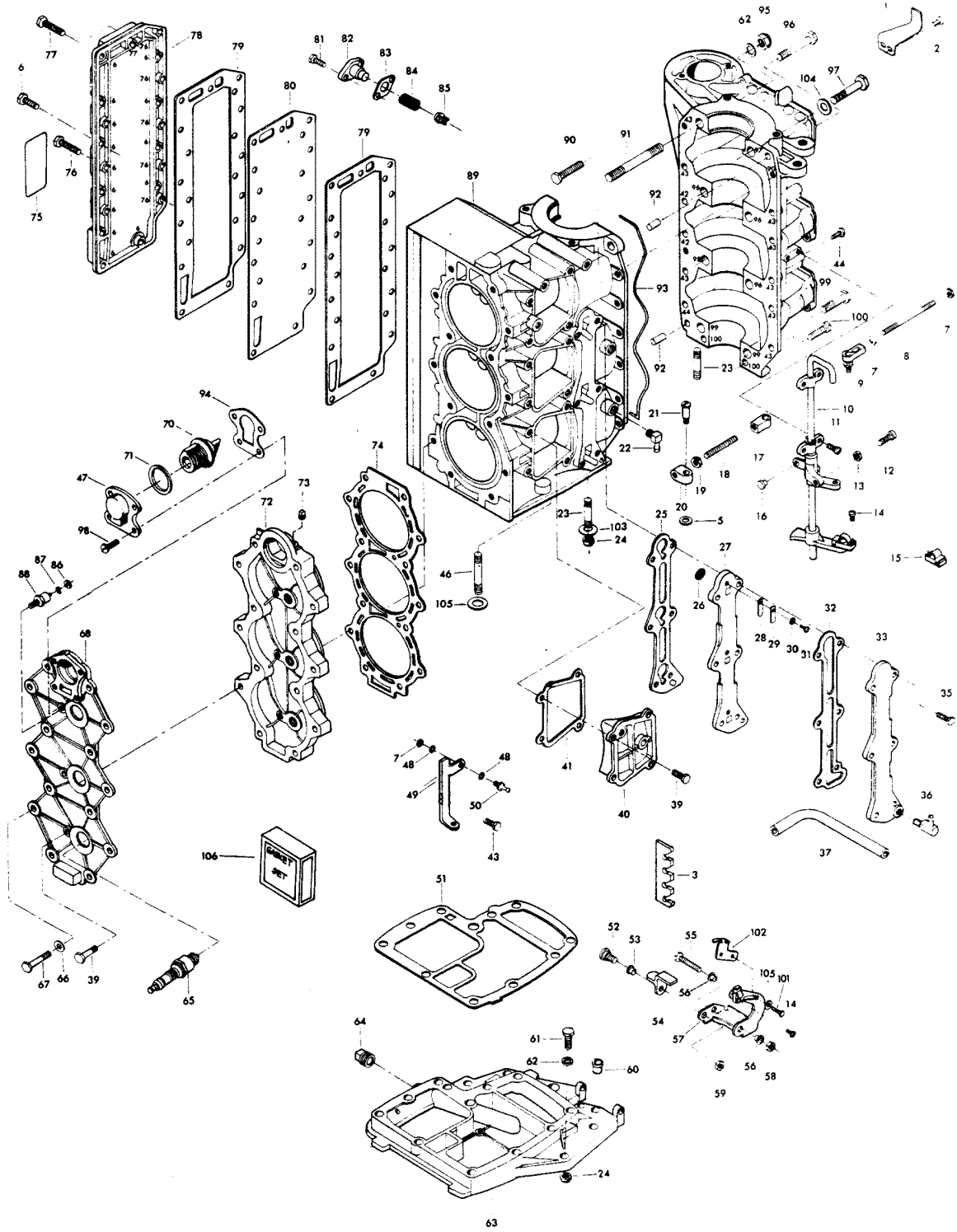
CONTINUED ON NEXT PAGE ➡



# CARBURETOR

REF. NO.	PART NO.	SYM.	QTY.	DESCRIPTION
82	F184579		6	SEAL, CHOKE ARM SWIVEL
83	F8088		3	PLAIN WASHER
84	F1014		3	COTTER PIN
85	F184033-1		2	CHOKE ARM SWIVEL
86	F85925		1	CHOKE ROD
87	F2033		1	GROOVE PIN
88	F85253-1		2	FUEL LINE
89	F391926-1		1	CHOKE SOLENOID PLUNGER
90	F85317-1		1	CLAMP
91	F1545		2	HEX HD SCREW, 1/4 - 20 X 1/2
92	F85314-1		2	FUEL FITTING
93	FO15209		1	MAIN NOZZLE
94	F1532		3	HEX HD SCREW, 1/4 - 20 X 1
95	F480551-1		1	BRACKET INTERLOCK SWITCH
96	FO8942		2	THROTTLE SHUTTER SCREW AND LOCKWASHER
97	F1502		4	HEX CAP SCREW, 1/4 - 20 X 5/8
98	F84449		1	INTERLOCK SWITCH
99	F1704		2	INTERNAL TOOTH LOCKWASHER
100	F1645		2	RD HD SCREW, 6 - 32 X 1/4
101	F2016		2	FILL HD SCREW, 6 - 32 X 7/8
102	F8088		2	PLAIN WASHER
-	<b>F10000</b>		<b>1</b>	<b>GASKET SET (NOT SHOWN)</b>
103	F10026		1	REPAIR PARTS KIT. INCLUDES ALL ITEMS MARKED WITH AN ASTERISK (*).
104	F8026		1	PLAIN WASHER

# POWERHEAD



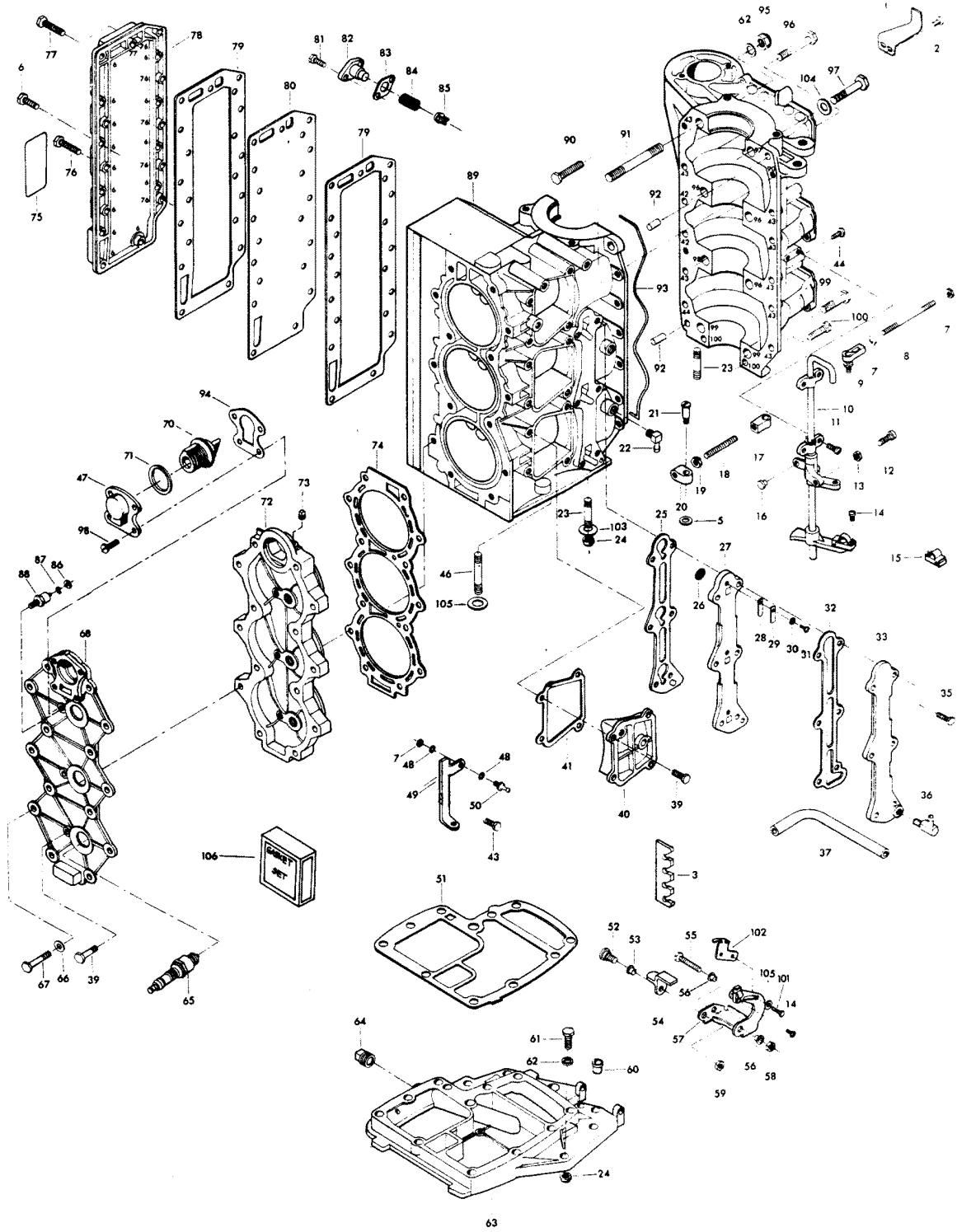


# POWERHEAD

REF. NO.	PART NO.	SYM.	QTY.	DESCRIPTION
1	FA480894		1	TIMING POINTER
2	F1760		2	PAN HD SCREW, 10 - 24 X 3/8
3	F523834		1	CLIP, SPARK PLUG WIRE
5	F2042		1	PLAIN WASHER
6	F1533		14	HEX BOLT, 1/4 - 20 X 7/8
7	F1513		4	HEX NUT, 10 - 32
8	F85502		1	THROTTLE LINK
9	817747--1		1	BALL JOINT W/STUD
10	FA85838-5		1	TOWERSHAFT W/BEARINGS, SWIVEL, ARMS AND SCREWS
11	F1475		4	FILL HD SCREW, 10 - 24 X 1/2
12	F1504		1	FILL HD SCREW, 1/4 - 20 X 1 1/4
13	F1341		1	HEX NUT, 1/4 - 20
14	F1556		2	FILL HD SCREW W/LOCKWASHER, 10 - 24 X 3/8
15	FK405020		2	SWIVEL W/PIVOT SCREW AND NUT
16	F1727		1	PLASTIC RIVET
17	F85036		1	TOWERSHAFT CONTROL ROD END
18	F85445		1	DISTRIBUTOR CONTROL ROD
19	F2015		1	HEX NUT, 1/4 - 28
20	F85035		1	DISTRIBUTOR CONTROL ROD END
21	F85026		1	SWIVEL
22	F84314-2		1	ELBOW
23	F85859		4	STUD, FORWARD
24	F7004		10	STOP NUT, 3/18 - 16
25	F85748-2		1	GASKET, CYLINDER DRAIN REED PLATE
26	F93811		3	SCREEN
27	F2A404757		1	CYLINDER DRAIN REED PLATE W/REEDS, STOPS, METERG CUP & SCRWS
28	F18160-2		3	REED
29	F93920		3	REED STOP
30	F8003		3	PLAIN WASHER
31	F1286		3	PAN HD SCREW, 4 - 40 X 3/16
32	F85472-2		1	GASKET, CYLINDER DRAIN COVER
33	817787A1		1	CYLINDER DRAIN COVER W/PLUG
35	F1187		6	HEX HD SCREW, 1/4 - 20 X 1
36	F404801		1	FITTING
37	F433253		1	HOSE
39	F1540		8	HEX HD SCREW, 1/4 - 20 X 5/8
40	FA411222		2	TRANSFER PORT COVER W/PLUG
41	F40223		3	GASKET, TRANSFER PORT COVER
42	F1534		2	HEX CAP SCREW, 1/4 - 20 X 7/8
43	F1532		10	HEX HD SCREW, 1/4 - 2 X 3/4
44	F1199		1	HEX CAP SCREW, 1/4 - 20 X 1
46	F85211		6	STUD, REAR

CONTINUED ON NEXT PAGE ➡

# POWERHEAD

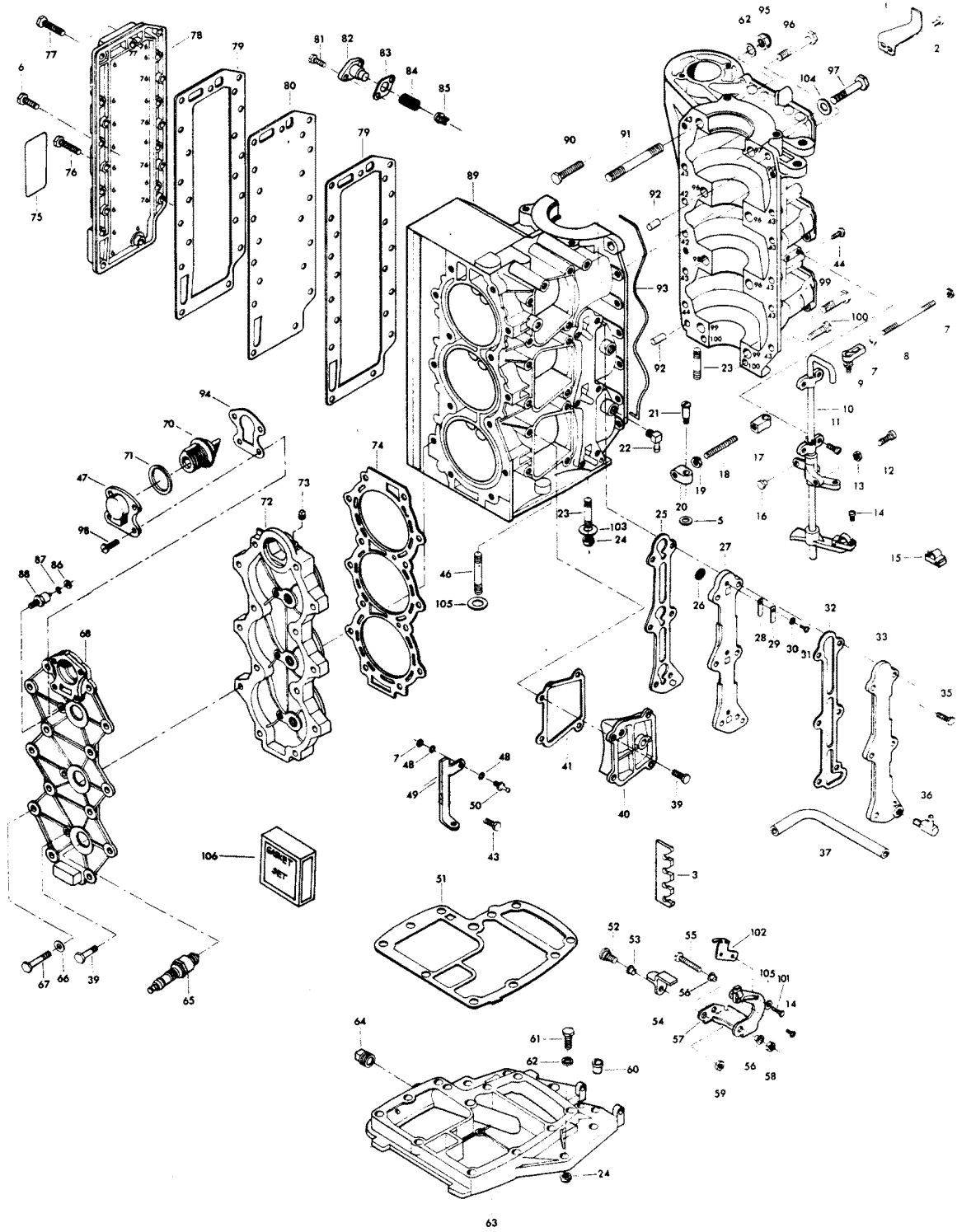


# POWERHEAD

REF. NO.	PART NO.	SYM.	QTY.	DESCRIPTION
47	F476066-1		1	COVER, THERMOSTAT
48	F8058		4	INTERNAL TOOTH LOCKWASHER
49	85872-1		1	BRACKET
50	F98273		2	ROD END CONNECTOR STUD
51	F85279-2		1	CYLINDER EXHAUST GASKET, UPPER
52	F369887		1	SHOULDER SCREW
53	F369610		1	BEARING
54	F369977-1		1	INTERLOCK ARM
55	F1885		1	HEX BOLT, 5/16 - 18 X 4 1/4
56	F85610		2	BEARING
57	FA480876		1	GEAR SHIFT ARM W/SWIVEL, INTERLOCK ARM AND BEARINGS
58	F2108		1	STOP NUT, 5/16 - 18
59	F1832		1	STOP NUT, 1/4 - 20
60	F40689-1		1	BEARING, TOWERSHAFT
61	F1869		6	HEX BOLT, 3/8 - 16 X 1 1/4
62	F1703		6	SPRING LOCKWASHER
63	817788A3		1	SPACER PLATE W/PLUGS
64	F2090		1	PLUG
65	33-97180		3	SPARK PLUG (CHAMPION L-20-V)
-	<b>FC522227</b>		<b>3</b>	<b>SPARK PLUG (CHAMPION QUL-77V) - CANADA</b>
66	F1087		14	PLAIN WASHER
67	F1883		14	HEX BOLT, 5/16 - 18 X 2 3/8
68	F499995		1	CYLINDER HEAD COVER
70	F528068		1	THERMOSTAT
71	F84504		1	GROMMET
72	F480518		1	CYLINDER HEAD
73	F19109		1	PLUG
74	F369529		1	CYLINDER HEAD GASKET
75	F438398		1	DECAL, WIRING - USA
-	<b>FC438398</b>		<b>1</b>	<b>DECAL WIRING - CANADA</b>
76	F1709		5	HEX HD SCREW, 1/4 - 20 X 1 1/8
77	F1708		1	HEX HD SCREW, 1/4 - 20 X 1 3/8
78	F85152-4		1	EXHAUST PORT COVER
79	F85154-1		2	GASKET, EXHAUST PORT PLATE
80	F85151-1		1	EXHAUST PORT PLATE
81	F1950		2	HEX HD SCREW, 10 - 24 X 5/8
82	F438066		1	BY-PASS VALVE COVER
83	F85762		1	GASKET, BY-PASS VALVE
84	F404268		1	SPRING, BY-PASS VALVE
85	F85916-1		1	BY-PASS VALVE
86	F1647		1	HEX NUT, 10 - 32
87	F8056		1	SPRING LOCKWASHER

CONTINUED ON NEXT PAGE ➡

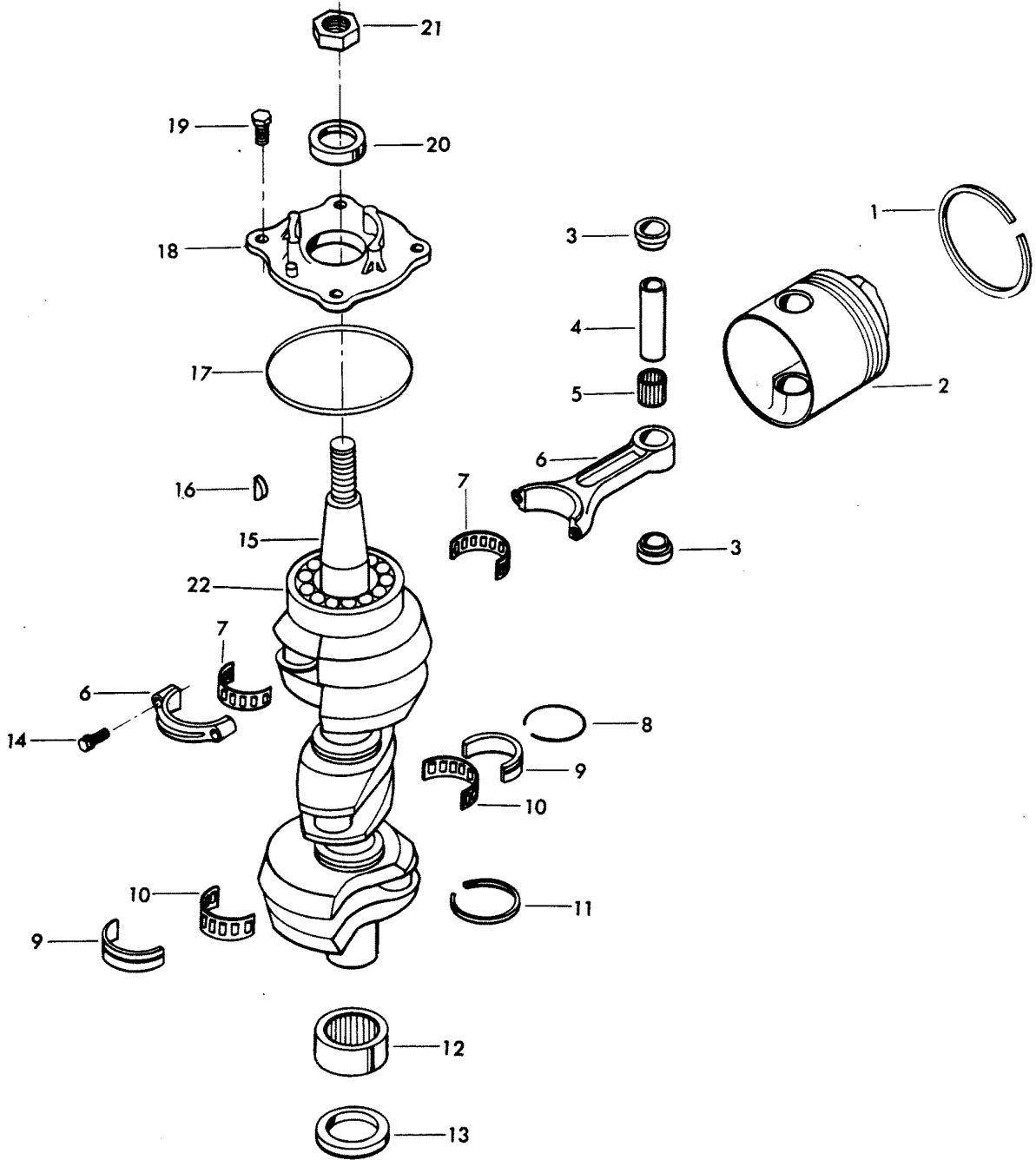
# POWERHEAD



# POWERHEAD

REF. NO.	PART NO.	SYM.	QTY.	DESCRIPTION
88	87-817778A1		1	THERMOSWITCH
89	FA480010		1	CYLINDER ASSEMBLY W/PARTNG LINE SEAL & LOWR MAIN BEARG ASS'Y
-	<b>FC548010</b>		<b>1</b>	<b>SHORT BLOCK. INCLUDES ALL ITEMS MARKED WITH AN ASTERISK (*). ALSO REFER TO CRANKSHAFT PAGE.</b>
90	F1535		1	HEX HD SCREW, 1/4 - 20 X 3/4
91	F85210		1	STUD
92	F8563		2	DOWEL PIN
93	F85122		1	PARTING LINE SEAL
94	F476067		1	GASKET, THERMOSTAT COVER
95	F1347		1	HEX NUT, 3/8 - 16
96	F1873		4	HEX BOLT, 3/8 - 16 X 3
97	F1009		1	HEX BOLT, 3/8 - 16 X 2 3/4
98	F1110		4	FILL HD SCREW, 1/4 - 20 X 5/8
99	F1872		2	HEX BOLT, 3/8 - 16 X 1 3/4
100	F1099		2	FILL HD SCREW, 1/4 - 20 X 1 1/4
101	F2089		2	SLOTTED PAN HD MACHINE SCREW, 10 - 24 X 5/16
102	F480107-1		1	CAM, STARTER INTERLOCK
103	F8038		4	PLAIN WASHER
104	F8095		14	PLAIN WASHER
105	F2042		2	PLAIN WASHER
106	FG1020		1	GASKET SET (INCLUDES THE FOLLOWING)
-	<b>F40223</b>		<b>3</b>	<b>TRANSFER PORT COVER GASKET</b>
-	<b>F84278</b>		<b>1</b>	<b>CRANKSHAFT BRG. CAGE SEAL</b>
-	<b>F84504</b>		<b>1</b>	<b>THERMOSTAT GROMMET</b>
-	<b>F85122</b>		<b>1</b>	<b>CRANKCASE SEAL</b>
-	<b>F85154-1</b>		<b>2</b>	<b>EXHAUST PORT PLATE GASKET</b>
-	<b>F85159</b>		<b>1</b>	<b>MANIFOLD GASKET</b>
-	<b>F85168</b>		<b>3</b>	<b>CARBURETOR ADAPTER FLANGE GASKET</b>
-	<b>F85453-1</b>		<b>1</b>	<b>CYLINDER, EXHAUST - LOWER GASKET</b>
-	<b>F85472-2</b>		<b>1</b>	<b>CYLINDER DRAIN COVER GASKET</b>
-	<b>F85748-2</b>		<b>1</b>	<b>CYLINDER DRAIN REED PLATE GASKET</b>
-	<b>F85762</b>		<b>1</b>	<b>BY-PASS VALVE PLATE GASKET</b>
-	<b>F85906</b>		<b>3</b>	<b>CARBURETOR GASKET</b>
-	<b>F369529</b>		<b>1</b>	<b>CYLINDER HEAD GASKET</b>
-	<b>F476067</b>		<b>1</b>	<b>THERMOSTAT COVER GASKET</b>
-	<b>F481836</b>		<b>3</b>	<b>INTAKE GASKET</b>

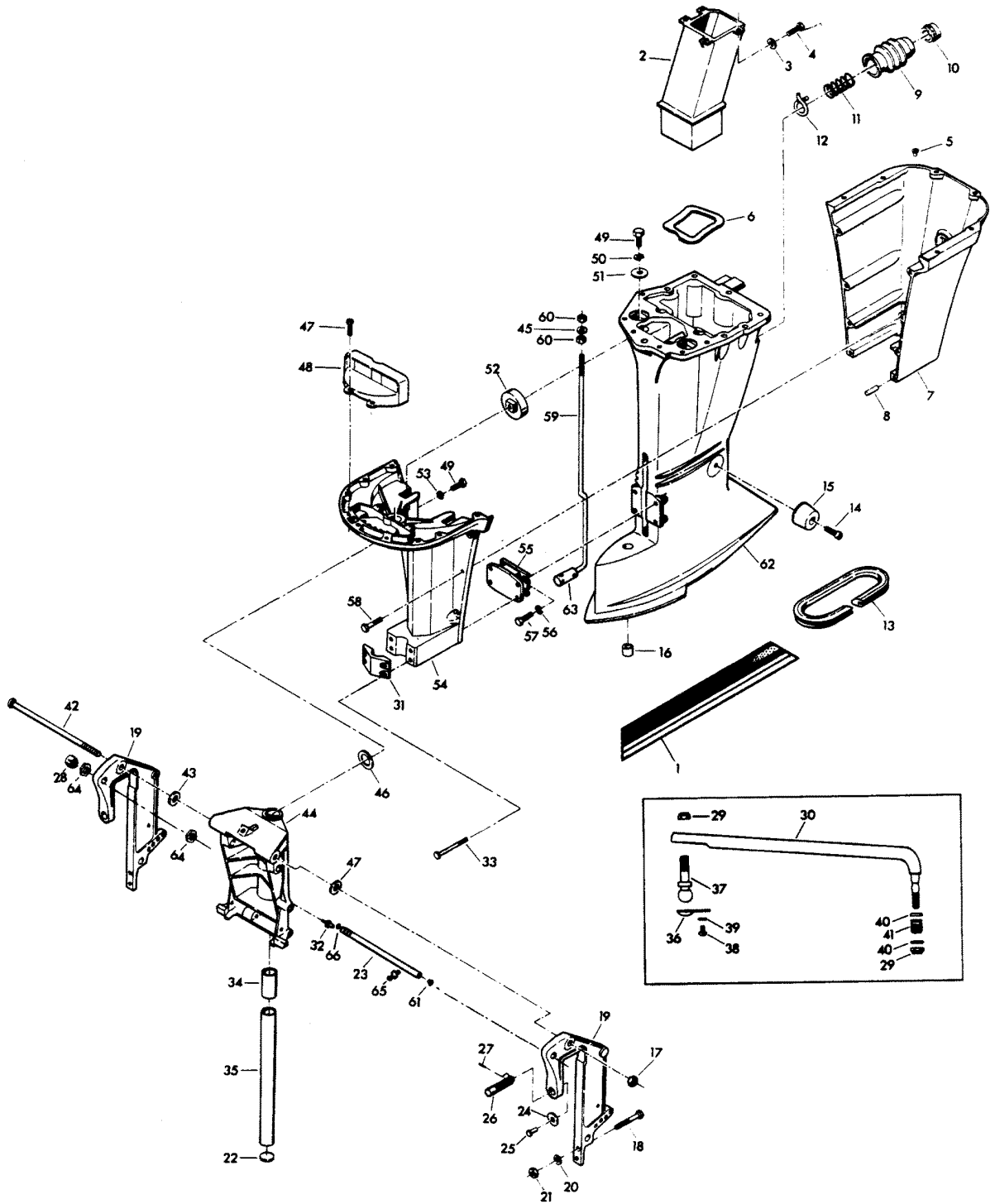
# CRANKSHAFT AND PISTON GROUP



# CRANKSHAFT AND PISTON GROUP

REF. NO.	PART NO.	SYM.	QTY.	DESCRIPTION
1	FA335260		3	PISTON RING SET (3 PER SET) STANDARD
-	<b>FSA335260</b>		<b>3</b>	<b>PISTON RINGS (3 PER SET) .010 OVERSIZE</b>
-	<b>39-818110A1</b>		<b>3</b>	<b>PISTON RINGS (3 PER SET) .030 OVERSIZE</b>
2	700-F372015-3		3	PISTON (STANDARD)
-	<b>700-817988A2</b>		<b>3</b>	<b>PISTON .010 OVERSIZE</b>
-	<b>700-818111A2</b>		<b>3</b>	<b>PISTON .030 OVERSIZE</b>
3	F335215		6	SPACER, PISTON PIN (2 PER PISTON)
4	F85017		3	PISTON PIN
5	F335217-1		3	BEARING PISTON PIN (26 PER SET)
6	600-818052A4		3	CONNECTING ROD W/CAP AND SCREWS
7	FK85228-1		3	BEARING CAGE W/ROLLER
8	F85410		2	SNAP RING
9	FA85655-1		2	CRANKSHAFT MAIN BEARING RACE W/SNAP RING
10	F85571		2	BEARING CAGE W/ROLLER
11	F316579		2	SEAL, CRANKCASE
12	FA523014		1	CRANKSHAFT LOWER MAIN BEARING W/SEAL
13	F523146		1	SEAL, CRANKSHAFT LOWER
14	F85634-2		6	CONNECTING ROD SCREW
15	FA85018-2		1	CRANKSHAFT W/BEARING
16	F85498		1	FLYWHEEL KEY
17	F84278		1	SEAL, CRANKSHAFT BEARING CAGE
18	31-817785A2		1	CRANKSHAFT BEARING CAGE W/SEAL
19	F1867		4	HEX CAP SCREW, 3/8 - 16 X 1
20	F84146-2		1	SEAL
21	F1968		1	FLYWHEEL NUT
22	F284659-2		1	CRANKSHAFT THRUST BEARING UPPER
-	<b>F2067</b>		<b>1</b>	<b>PLASTISOL CAP (NOT SHOWN) FOR EXPOSED THREADS OF CRANKSHAFT</b>

# MOTOR LEG



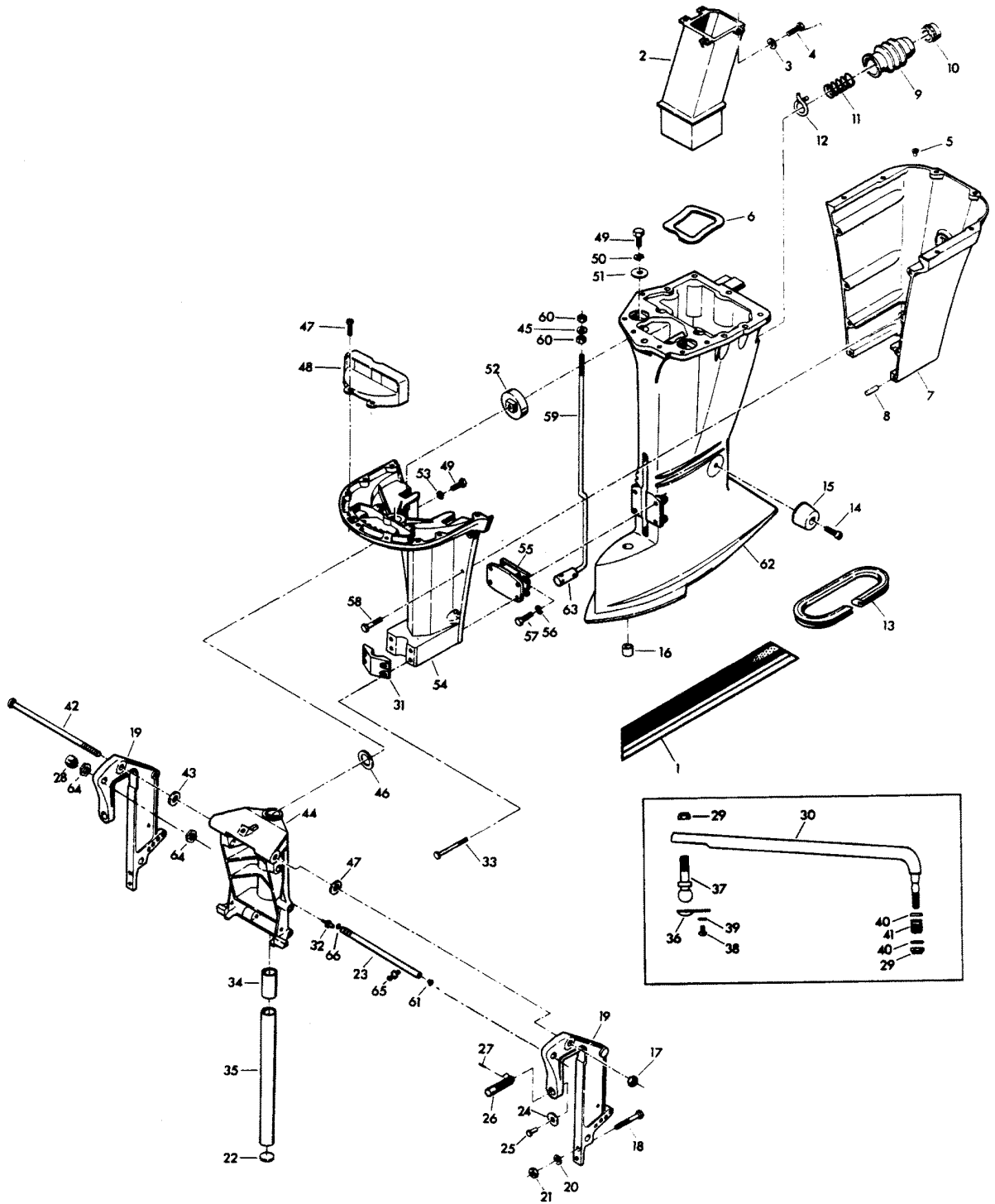


# MOTOR LEG

REF. NO.	PART NO.	SYM.	QTY.	DESCRIPTION
1	A579392		1	DECAL-LEG, PORT W/LITERATURE
-	<b>A579391</b>		<b>1</b>	<b>DECAL-LEG, STARBOARD W/LITERATURE</b>
2	F85660-1		1	EXHAUST TUBE
3	F8083		4	SPRING LOCKWASHER
4	F1864		4	HEX SLOT HD SCREW, 1/4 - 20 X 3/4
5	F1729		2	PLUG
6	F439736		1	SEAL EXHAUST TUBE
7	817931A7		1	MOTOR LEG COVER, REAR W/ILLUS. 5 AND 13 ORIGINAL <b>FORCE P/N A 178145-3</b>
8	F1664		2	SPRING PIN
9	F85130		1	BOOT, IDLE EXHAUST
10	F85258		1	INSERT
11	F85380		1	SPRING
12	F85772		1	CLAMP
13	F178323		1	SEAL, MOTOR LEG
14	F1263		2	HEX SOCKET HD CAP SCREW, 5/16 - 18 X 9/16
15	F438962		2	SHOCK MOUNT SLIDE
16	F338618-1		1	SEAL, GEAR SHIFT ROD
17	F7012		1	LOCK NUT, 1/2 - 20
18	F1593		2	HEX HD SCREW, 3/8 - 16 X 3
19	1400-817958A6		2	STERN BRACKET
20	F1004		2	PLAIN WASHER
21	F1346		2	HEX NUT, 3/8 - 16
22	F1528		1	WELCH PLUG
23	F511125-2		1	TUBE, STEERING SUPPORT
24	F84074		2	CLAMP SCREW FOOT
25	F353480		2	STUD
26	F474073-1		2	CLAMP SCREW
27	F8538		2	SPRING PIN
28	F9018		1	CAP
29	F2093		2	STOP NUT, 3/8 - 24
30	F523881-2		1	STEERING LINK
31	F85606		1	KINGPIN CAP
32	F213274		3	GREASE FITTING
33	F1696		4	HEX BOLT, 5/16 - 18 X 1 3/4
34	F438169		2	BEARING
35	FA85019		1	KINGPIN W/PLUG
36	F523930		1	RETAINER
37	F523273		1	STEERING BALL STUD
38	F1280		1	PAN HD SCREW, 8 - 32 X 1/4
39	F8080		1	SPRING LOCKWASHER
40	F8038		2	PLAIN WASHER
41	F523300-1		1	SPRING, STEERING LINK

CONTINUED ON NEXT PAGE ➡

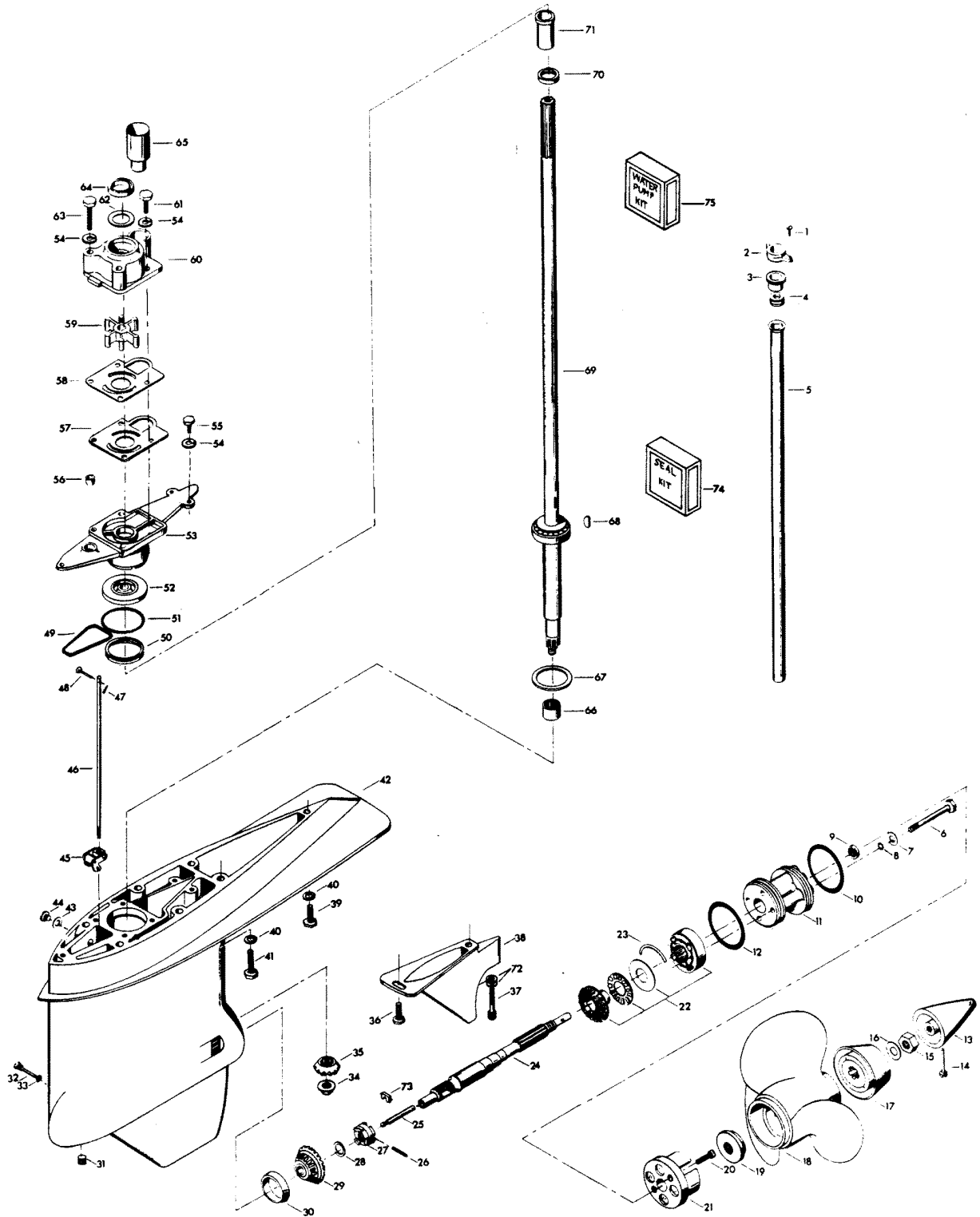
# MOTOR LEG



# MOTOR LEG

REF. NO.	PART NO.	SYM.	QTY.	DESCRIPTION
42	F85037-1		1	STERN BRACKET PIVOT BOLT
43	F84286-1		4	FRICTION WASHER
44	817783A5		1	SWIVEL BRACKET W/BEARING AND GREASE FITTING
45	F1987		1	PLAIN WASHER
46	F84011		1	WASHER
47	F1912		4	HEX HD SCREW, 10 - 24 X 1/2
48	F85779-1		1	BAFFLE, AIR INTAKE
49	F1871		4	HEX HD SCREW, 3/8 - 16 X 3/4
50	F8039		2	PLAIN WASHER
51	FA85355-1		2	WASHER SHOCK MOUNT UPPER
52	F85965		2	SHOCK MOUNT, UPPER
53	F1730		2	SPRING LOCKWASHER
54	A3		1	LEG COVER, FRONT <b>WILLUS. 58</b>
55	F438346		1	SHOCK MOUNT, LOWER
56	F8096		4	SPRING LOCKWASHER
57	F1822		4	HEX BOLT, 5/16 - 18 X 7/8
58	F2030		6	HEX HD SCREW, 1/4 - 20 X 1 1/4
59	F85615		1	GEAR SHIFT ROD - UPPER
60	F2108		2	LOCK NUT, 5/16 - 18
61	F9052		1	PLUG
62	F523133-2		1	MOTOR LEG
63	F85704		1	COUPLER, GEARSHIFT ROD - UPPER
64	F523280		2	NUT, STEERING SUPPORT TUBE
65	F523274		1	GREASE FITTING
66	F316599		1	SEAL, STEERING SUPPORT TUBE

# GEAR HOUSING

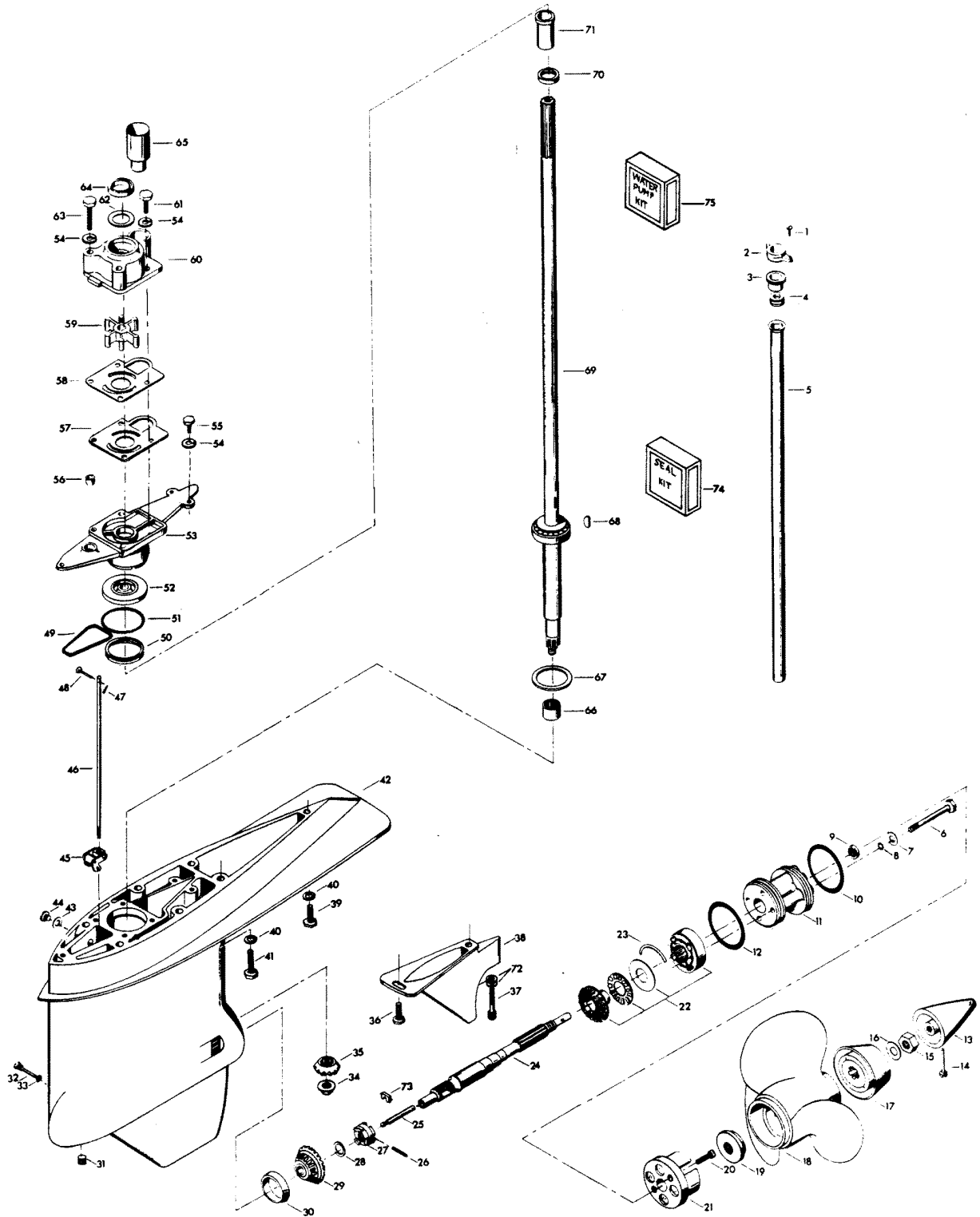


# GEAR HOUSING

REF. NO.	PART NO.	SYM.	QTY.	DESCRIPTION
1	F1705		2	HEX CAP SCREW, 1/4 - 20 X 3/4
2	F85117		1	BRACKET, WATER LINE
3	F84342		1	SEAL, INLET WATER LINE UPPER
4	F523899		1	GROMMET, WATER LINE
5	F523244		1	INLET WATER LINE
6	F1885		4	HEX CAP SCREW, 5/16 - 18 X 4 1/4
7	F1907		4	PLAIN WASHER
8	F50342-1		4	SEAL, BEARING CAGE BOLTS
9	F506118		1	SEAL, PROPELLER SHAFT
10	F24278		1	SEAL, "O" RING PROPELLER SHAFT SPOOL
11	F2A523239		1	SPOOL, PROPELLER SHAFT BEARING W/SEALS
12	F84304		1	SEAL, PROPELLER SHAFT BEARING SPOOL
13	F523094-2		1	PROPELLER NUT
14	F498891		1	PIN, PROPELLER NUT RETAINING
15	F1788		1	STOP NUT
16	F1866		1	PLAIN WASHER
17	F532299		1	WASHER, PROPELLER SPLINE
18	FP524		1	PROPELLER (ACCESSORY ITEM)
19	F523099-1		1	SPACER, PROPELLER
20	F1577		2	FILL HD SCREW, 1/4 - 20 X 3/4
21	FA523485		1	ANTI-CORROSION ANODE <b>W/LITERATURE</b>
22	F2A498662		1	BEVEL GEAR, REAR W/BEARING CAGE, SPACER AND BEARING
23	F523411		2	RETAINING RING
24	FA523098		1	PROPELLER SHAFT
25	F84871-1		1	PIN, GEAR SHIFT
26	F1713		1	SPRING PIN
27	F84521-1		1	CLUTCH
28	F1936		A/R	SPACER, BEVEL GEAR FRONT .059
-	<b>F1937</b>		<b>A/R</b>	<b>SPACER, BEVEL GEAR FRONT .062</b>
-	<b>F1938</b>		<b>A/R</b>	<b>SPACER, BEVEL GEAR FRONT .065</b>
-	<b>F1939</b>		<b>A/R</b>	<b>SPACER, BEVEL GEAR FRONT .068</b>
-	<b>F1940</b>		<b>A/R</b>	<b>SPACER, BEVEL GEAR FRONT .071</b>
-	<b>F1941</b>		<b>A/R</b>	<b>SPACER, BEVEL GEAR FRONT .074</b>
-	<b>F1942</b>		<b>A/R</b>	<b>SPACER, BEVEL GEAR FRONT .077</b>
-	<b>F2113</b>		<b>A/R</b>	<b>SPACER, BEVEL GEAR FRONT .080</b>
-	<b>F2114</b>		<b>A/R</b>	<b>SPACER, BEVEL GEAR FRONT .083</b>
-	<b>F2115</b>		<b>A/R</b>	<b>SPACER, BEVEL GEAR FRONT .086</b>
-	<b>F2116</b>		<b>A/R</b>	<b>SPACER, BEVEL GEAR FRONT .089</b>
-	<b>F2121</b>		<b>A/R</b>	<b>SPACER, BEVEL GEAR FRONT .057</b>
-	<b>F2122</b>		<b>A/R</b>	<b>SPACER, BEVEL GEAR FRONT .054</b>
29	F2A498023		1	BEVEL GEAR FRONT W/BEARING
30	F523813		1	BEARING CUP

CONTINUED ON NEXT PAGE ➡

# GEAR HOUSING

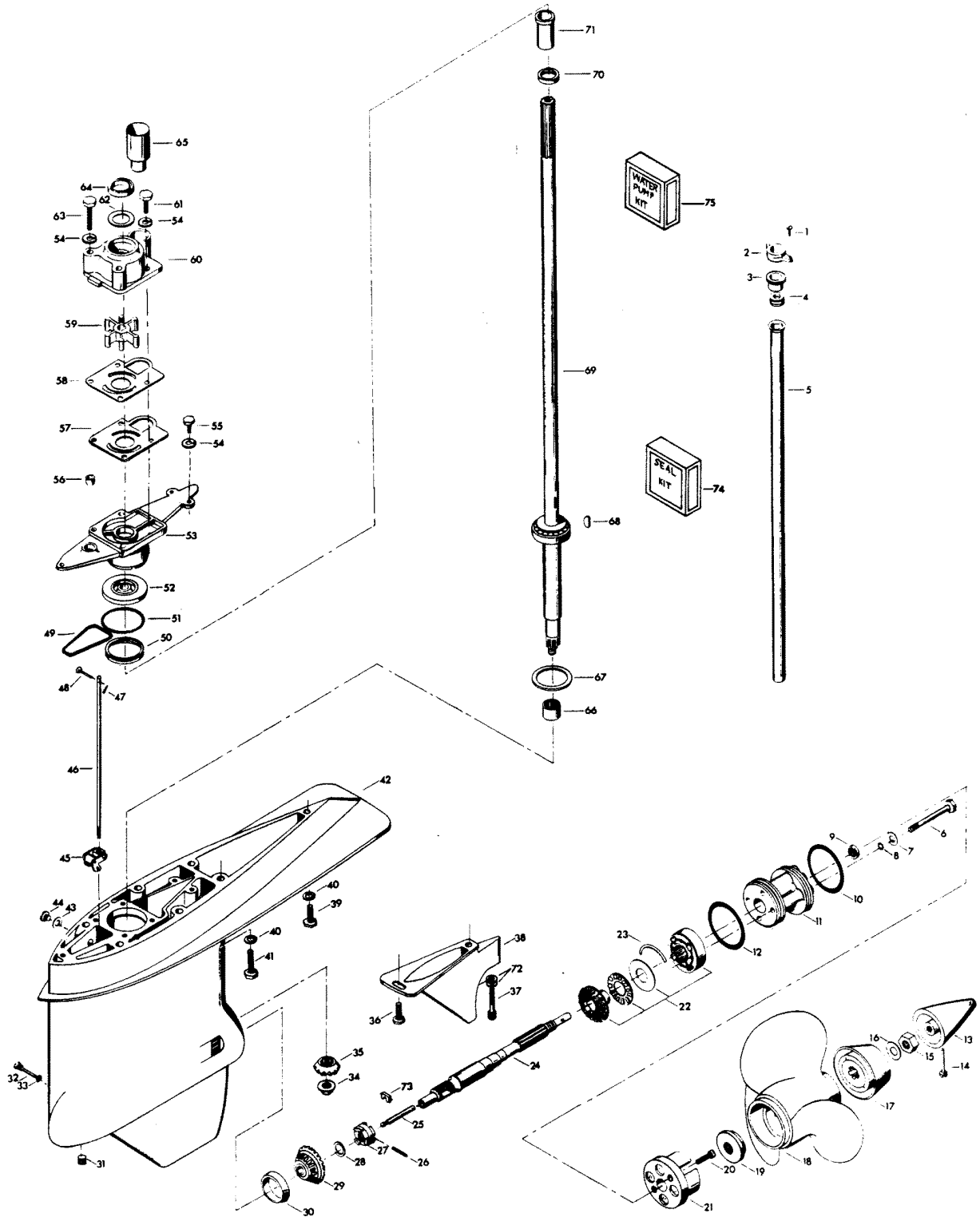


# GEAR HOUSING

REF. NO.	PART NO.	SYM.	QTY.	DESCRIPTION
31	F19109		1	PLUG, GEAR HOUSING
32	F498891		1	PIN, GEAR SHIFT ARM
33	F498618		1	SEAL
34	F523188		1	NUT, BEVEL PINION RETAINING
35	FA498266		1	BEVEL PINION GEAR W/CRUSH RING AND SHIMS
36	F438930		1	RETAINER, SNOUT
37	F1994		1	HEX SOCKET HD CAP SCREW, 5/16 - 18 X 1
38	F523116		1	EXHAUST SNOUT
39	F1858		1	HEX CAP SCREW, 5/16 - 18 X 1
40	F8096		7	SPRING LOCKWASHER
41	F1491		6	HEX CAP SCREW, 5/16 - 18 X 3 1/4
42	FA523054		1	GEAR HOUSING W/BEARING CUP DRIVESHAFT BEARING LOWER, PLUGS AND WASHERS
-	<b>FC550054</b>		<b>1</b>	<b>GEAR HOUSING COMPLETE INCLUDES ALL ITEMS MARKED WITH AN ASTERISK (*)</b>
43	F8077		2	WASHER, GEAR HOUSING PLUG
44	F50109		2	PLUG, GEAR HOUSING
45	FA84621-1		1	COUPLING, GEAR SHIFT ARM W/BUSHING
46	F523705		1	GEAR SHIFT ROD LOWER
47	F1015		1	COTTER PIN
48	F85372		1	PIN, GEAR SHIFT ROD LOWER
49	F523555		1	SEAL, "O" RING - GEAR HOUSING COVER
50	F523961		1	CRUSH RING
51	F74305		1	SEAL, DRIVESHAFT BEARING CAGE
52	F506118		1	SEAL, DRIVESHAFT
53	F2A550706		1	GEAR HOUSING COVER W/SEAL
54	F8083		7	SPRING LOCKWASHER
55	F1534		3	HEX CAP SCREW, 1/4 - 20 X 7/8
56	F338618-1		1	SEAL, GEAR SHIFT ROD
57	F523031		1	GASKET, WATER PUMP
58	F523562		1	WATER PUMP BACK PLATE
59	F523065		1	WATER PUMP IMPELLER
60	46-817853A1		1	WATER PUMP BODY W/DRIVESHAFT SEAL, DISC AND WATER LINE SEAL
61	F1990		2	HEX CAP SCREW, 1/4 - 20 X 1 5/8
62	F480388		1	DISC, WATER PUMP LOCATING
63	F1425		2	HEX CAP SCREW, 1/4 - 20 X 2 5/8
64	F351307		1	SEAL, WATER PUMP
65	FA523735		1	SEAL, INLET WATER LINE LOWER <b>W/LITERATURE</b>
66	F523057		1	BEARING, DRIVESHAFT LOWER
67	F9106		A/R	SHIM, DRIVESHAFT BEARING UPPER .003 - BRASS
-	<b>F9095</b>		<b>A/R</b>	<b>SHIM, DRIVESHAFT BEARING UPPER .005 - SILVER</b>
-	<b>F9097</b>		<b>A/R</b>	<b>SHIM, DRIVESHAFT BEARING UPPER .010 - BLACK</b>
68	F523498		1	DRIVE KEY, WATER PUMP

CONTINUED ON NEXT PAGE ➡

# GEAR HOUSING

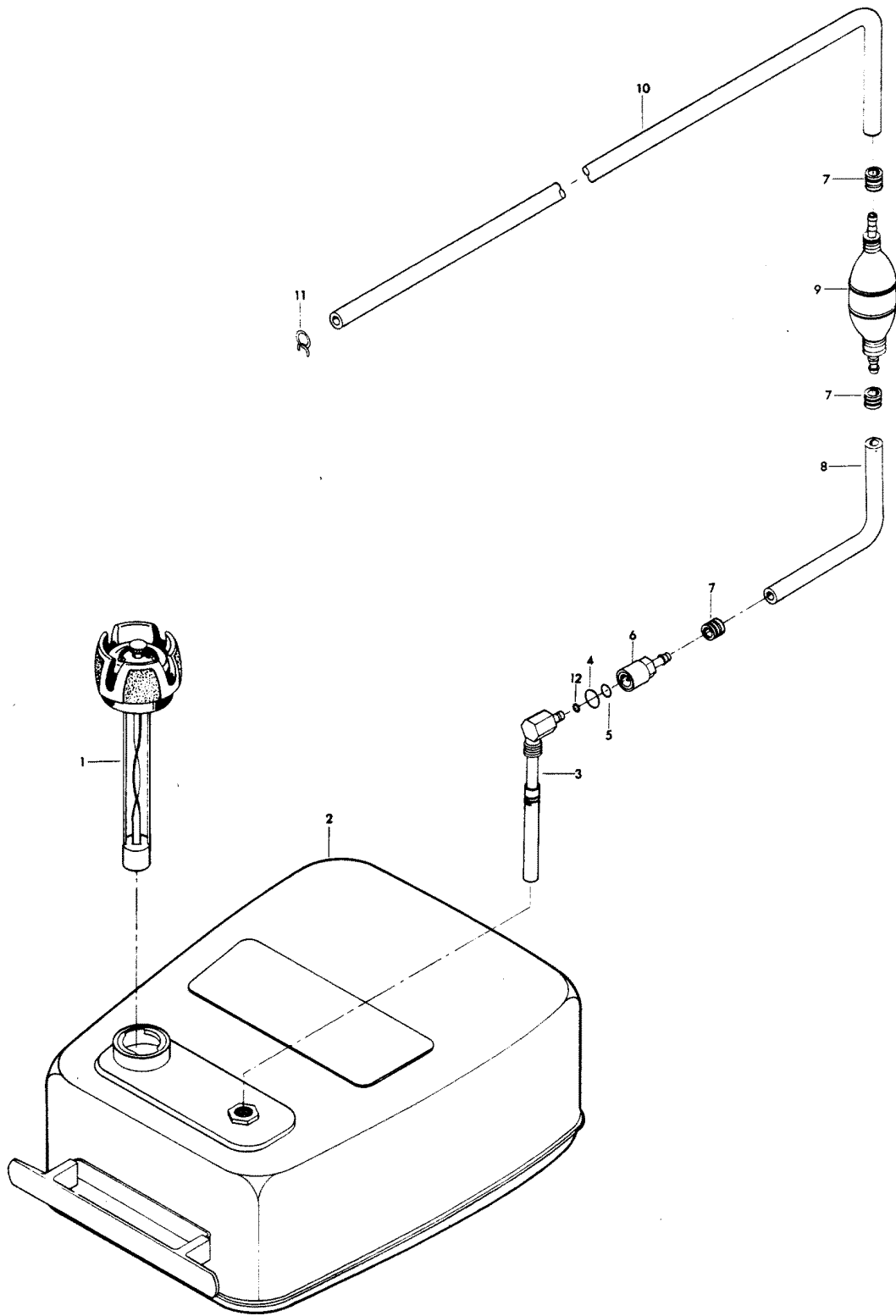




# GEAR HOUSING

REF. NO.	PART NO.	SYM.	QTY.	DESCRIPTION
69	FK550128		1	DRIVESHAFT W/BEARING, SHIMS AND CRUSH RING
70	F438271		1	RETAINER, CRANKSHAFT SPLINE SEAL
71	F438129		1	SEAL, DRIVESHAFT SPLINE
72	F1836		2	PLAIN WASHER
73	F90619-1		1	YOKE
74	FK1063-1		1	SEAL KIT
-	<b>F50342-1</b>		<b>4</b>	<b>BEARING CAGE BOLT SEAL</b>
-	<b>F506118</b>		<b>2</b>	<b>PROPELLER SHAFT SEAL</b>
-	<b>F24278</b>		<b>1</b>	<b>PROPELLER SHAFT SPOOL SEAL</b>
-	<b>F84305</b>		<b>1</b>	<b>PROPELLER SHAFT SPOOL SEAL</b>
-	<b>F498618</b>		<b>1</b>	<b>GEAR SHIFT ARM PIN SEAL</b>
-	<b>F8077</b>		<b>2</b>	<b>WASHER</b>
-	<b>F523555</b>		<b>1</b>	<b>GEAR HOUSING COVER SEAL</b>
-	<b>F74305</b>		<b>1</b>	<b>GEAR HOUSING COVER SEAL</b>
-	<b>F84307-1</b>		<b>1</b>	<b>DRIVESHAFT SEAL</b>
-	<b>F338618-1</b>		<b>1</b>	<b>GEAR SHIFT ROD SEAL</b>
75	FK1069		1	WATER PUMP KIT
-	<b>F1425</b>		<b>2</b>	<b>HEX CAP SCREW, 1/4 - 20 X 5/8</b>
-	<b>F1990</b>		<b>2</b>	<b>HEX CAP SCREW</b>
-	<b>F8083</b>		<b>4</b>	<b>SPRING LOCKWASHER</b>
-	<b>F523031</b>		<b>1</b>	<b>GASKET, WATER PUMP</b>
-	<b>F523065</b>		<b>1</b>	<b>IMPELLER</b>
-	<b>F523498</b>		<b>1</b>	<b>KEY</b>
-	<b>F523562</b>		<b>1</b>	<b>PLATE, WATER PUMP</b>
-	<b>46-817853A1</b>		<b>1</b>	<b>WATER PUMP</b>

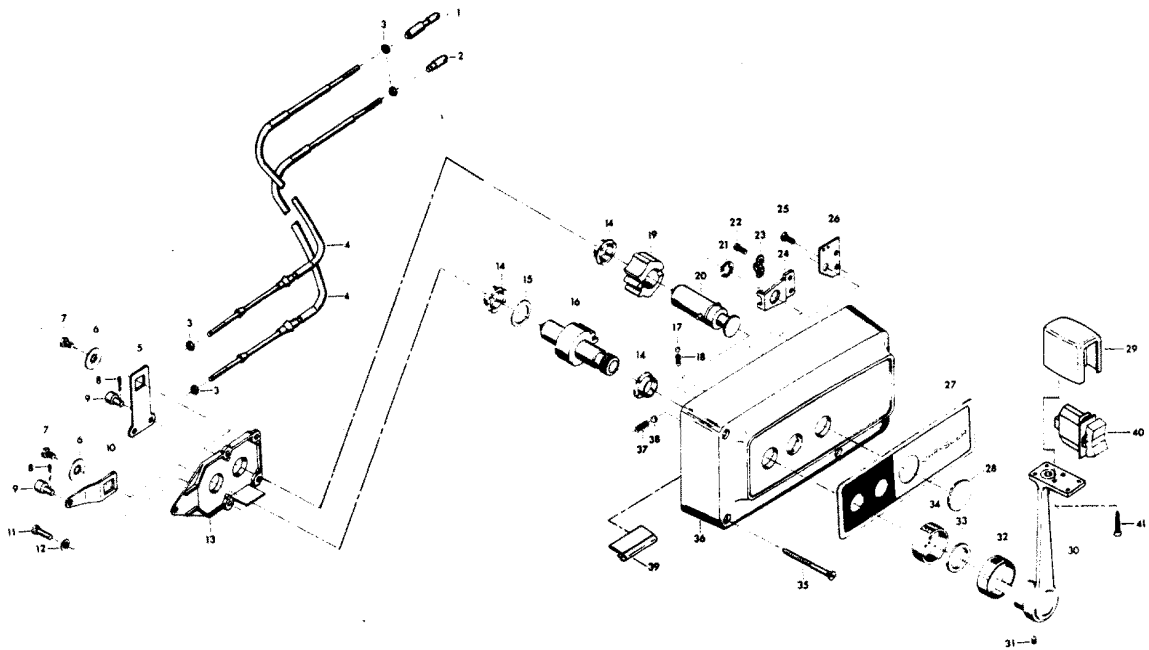
# FUEL TANK AND LINE



## FUEL TANK AND LINE

REF. NO.	PART NO.	SYM.	QTY.	DESCRIPTION
1	F409251-1		1	GAUGE CAP
2	F5H026		1	FUEL TANK (ACCESSORY ITEM)
3	F485755-1		1	FUEL TANK ADAPTER
4	F213342		1	SEAL, FUEL LINE COUPLER (LARGE)
5	F213735		1	SEAL, FUEL LINE COUPLER (SMALL)
6	F197787-3		1	FUEL LINE COUPLER
7	F298788		3	FERRULE
8	FA84754-1		1	FUEL LINE SHORT W/FERRULES
9	89396A38		1	PRIME BULB W/LITERATURE ORIGINAL FORCE P/N S <b>387766-1</b>
10	32-817738A1		1	FUEL LINE LONG W/CLAMP AND FERRULE
11	F97772		1	FUEL LINE CLAMP
12	F17932		1	SEAL, FUEL TANK ADAPTER
-	<b>FS409752</b>		1	<b>FUEL LINE COMPLETE. INCLUDES ALL ITEMS MARKED WITH AN ASTERISK (*).</b>
-	<b>FC409398</b>		1	<b>DECAL, TOTE TANK - CANADA (NOT SHOWN)</b>

# REMOTE CONTROL

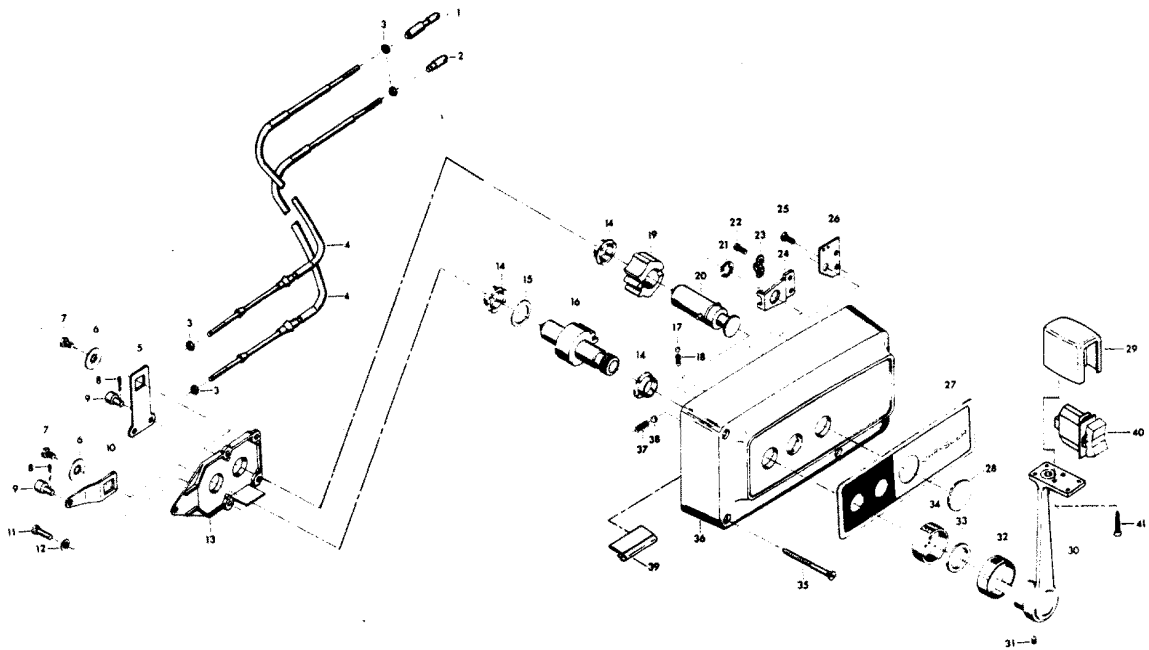


# REMOTE CONTROL

REF. NO.	PART NO.	SYM.	QTY.	DESCRIPTION
1	FA58976-1		1	CONNECTOR, THROTTLE CABLE
2	F58685-2		1	CONNECTOR, SHIFT CABLE
3	F1513		4	HEX NUT
4	ÄF58356//		2	REMOTE CONTROL CABLE (SPECIFY LENGTH)
5	F17019		1	CLUTCH ARM
6	F17036		2	INTERNAL TOOTH LOCKWASHER
7	F1715		2	HEX BOLT, 1/4 - 28 X 9/16
8	F17149		2	COTTER PIN
9	F17016		2	CABLE TERMINAL
10	F17014		1	THROTTLE ARM
11	F17013		2	FILL HD SCREW, 1/4 - 20 X 1/2
12	F17147		2	INTERNAL TOOTH LOCKWASHER
13	F17012		1	RETAINING PLATE
14	F17009		3	BEARING
15	F17011		1	BOWED WASHER
16	F17010-1		1	THROTTLE GEAR
17	F17111		1	DETENT BALL
18	F17006		1	DETENT SPRING
19	F17021		1	CLUTCH GEAR
20	F17100		1	CLUTCH SHAFT
21	F17092		1	SNAP RING
22	F17071		2	FILL HD SCREW, 10 - 24 X 5/16
23	F154317		1	CABLE CLAMP
24	F17026		1	SWIVEL
25	F1557		2	FLAT HD SCREW, 10 - 24 X 3/8
26	F17112		1	JUNCTION BOARD, STARBOARD
-	<b>F17113</b>		<b>1</b>	<b>JUNCTION BOARD, PORT</b>
27	F17148		1	DECAL, STARBOARD
-	<b>F531892</b>		<b>1</b>	<b>DECAL, PORT</b>
28	F17031-1		1	SNAP CAP
29	F448543		1	KNOB
30	F448611-1		1	HANDLE
31	F455690		1	SET SCREW
32	F449894		1	INDICATOR
33	F17105		1	FELT WASHER
34	F17106		1	COLLAR
35	F17146		3	WOOD SCREW
36	F17099-1		1	HOUSING
37	F17068		1	DETENT SPRING
38	F17082-1		1	DETENT BALL
-	<b>F1280</b>		<b>2</b>	<b>PAN HD SCREW, 8 - 32 X 1/4 (TERMINAL BOARD) (NOT SHOWN)</b>

CONTINUED ON NEXT PAGE ➡

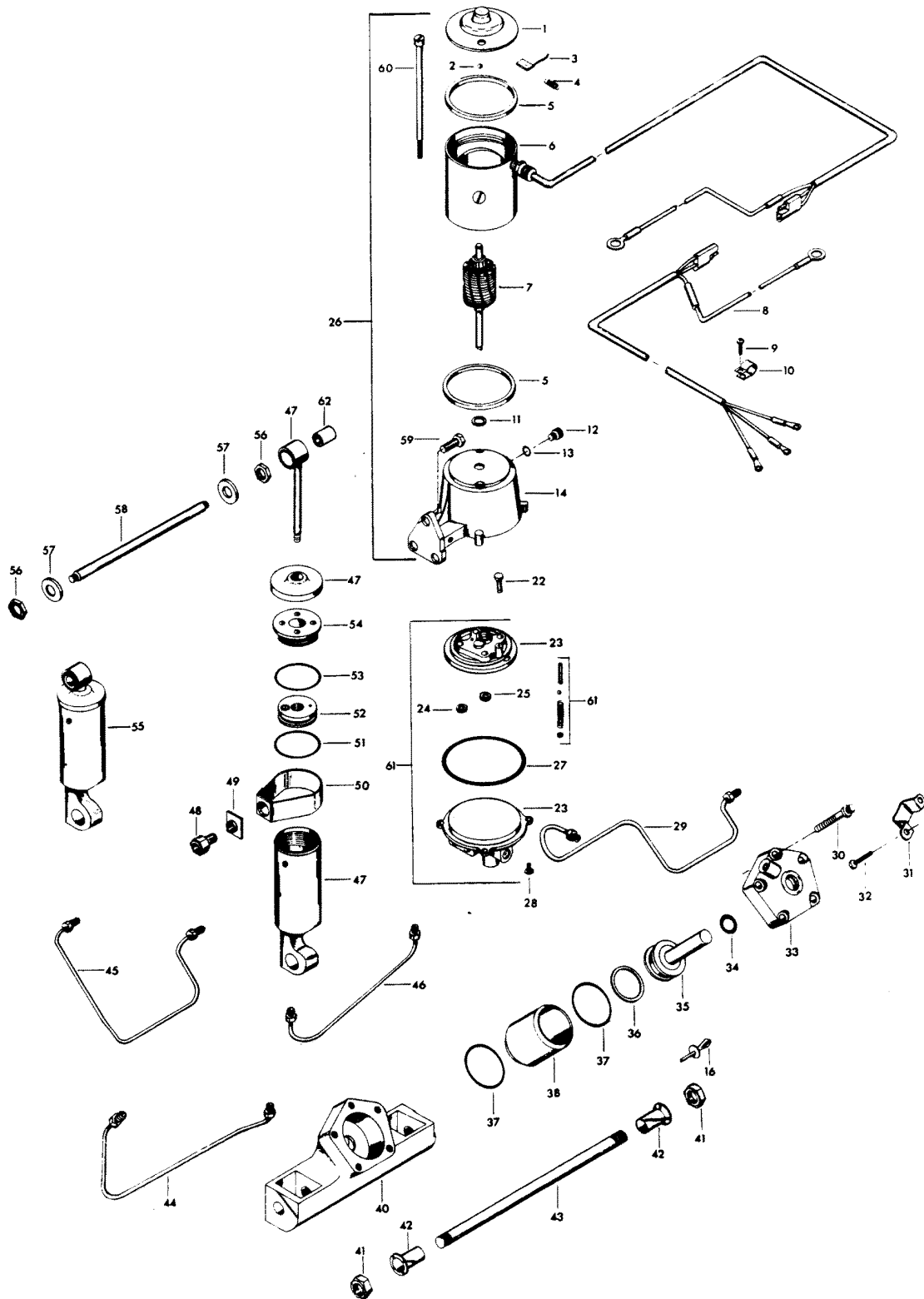
# REMOTE CONTROL



# REMOTE CONTROL

REF. NO.	PART NO.	SYM.	QTY.	DESCRIPTION
-	OB3061		1	LITERATURE (NOT SHOWN)
-	F17103-1		1	BAG ASSEMBLY (NOT SHOWN) INCLUDES ITEMS MARKED WITH AN ASTERISK (*).
39	F448446		1	CLAMP, CABLE TRIM SWITCH
40	F455449		1	SWITCH
41	F1461		2	TAPPING SCREW, #6 X 7/8

# POWER TRIM UNIT



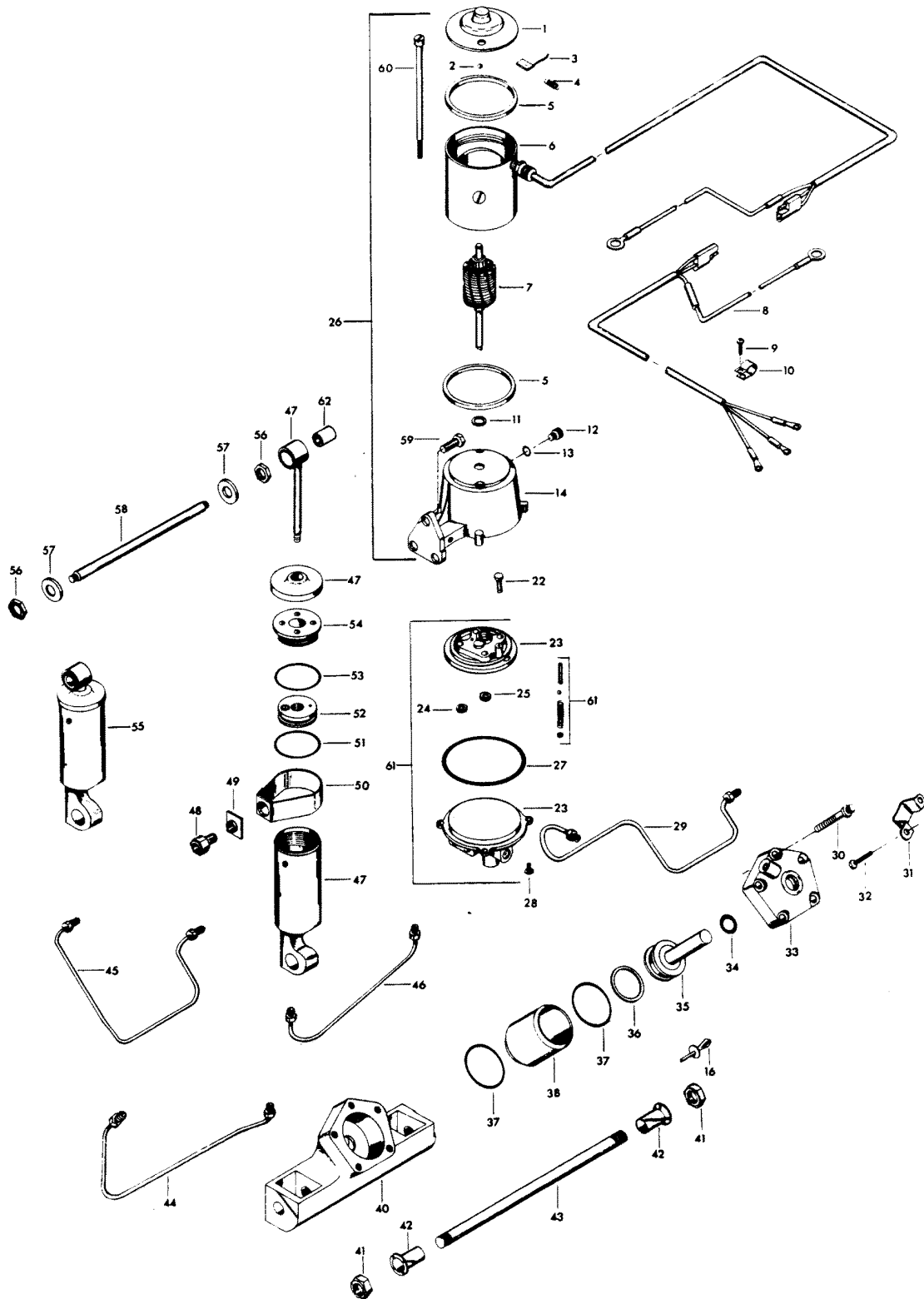


# POWER TRIM UNIT

REF. NO.	PART NO.	SYM.	QTY.	DESCRIPTION
1	F17543		1	HEAD ASSEMBLY, COMMUTATOR END
2	F17539		1	BALL
3	F17504		1	BRUSH SET
4	F17500		1	SPRING SET
5	F17557		2	GASKET
6	F17556		1	FIELD AND FRAME ASSEMBLY
7	F17555		1	ARMATURE
8	F500843		1	CABLE
9	F1741		2	THREAD FORMING SCREW, 8 X 3/4
10	F178446		2	CLAMP
11	F17508		A/R	THRUST WASHER
12	F17518		1	FILTER CAP
13	F17510		1	"O" RING
14	F17505		1	RESERVOIR AND BRACKET W/SEAL
15	F1966		1	PLUG, SWIVEL BRACKET
22	F1203		1	HEX CAP SCREW, 1/4 - 20 X 7/8
23	F17564		1	VALVE BODY AND PUMP
24	F17566		1	IDLE GEAR
25	F17565		1	DRIVE GEAR
26	F17563		1	MOTOR AND RESERVOIR
27	F17522		1	"O" RING
28	F1310		4	ROUND HD SCREW, 10 - 24 X 5/8
29	F449254		1	HYDRAULIC LINE, TRIM CYLINDER, UPPER
30	F1959		5	FERRY HD CAP SCREW, 1/4 - 20 X 1 3/4, STAINLESS STEEL
31	F449354		1	THRUST BRACKET
32	F1734		2	FILL HD MOUNTING SCREW AND LOCKWASHER, 1/4 - 20 X 1/2
33	FA449149		1	COVER W/SEALS AND RETAINER
34	F448342		1	SEAL, PISTON SHAFT
35	FA449015		1	PISTON
36	F449278		1	PISTON SEAL
37	F40278		2	SEAL, CYLINDER
38	F449010		1	CYLINDER
40	F449545-2		1	CYLINDER HOUSING
41	F1963		2	ELASTIC STOP NUT, 5/8 - 18
42	F178362		2	BEARING
43	F449632		1	SHAFT
44	F449253-1		1	HYDRAULIC LINE, TRIM CYLINDER, LOWER
45	F449758		1	HYDRAULIC LINE, LIFT CYLINDER, UPPER
46	F449754-1		1	HYDRAULIC LINE, LIFT CYLINDER, LOWER
47	FA17559		1	LIFT CYLINDER COMPLETE
48	F17577		1	ADAPTER FITTING PACKAGE
49	F17577		1	ADAPTER FITTING PACKAGE

CONTINUED ON NEXT PAGE ➡

# POWER TRIM UNIT



# POWER TRIM UNIT

REF. NO.	PART NO.	SYM.	QTY.	DESCRIPTION
50	F17577		1	ADAPTER FITTING PACKAGE
51	F17561-1		1	"O" RING
52	F17562-1		1	PISTON ASSEMBLY
53	F17528		1	"O" RING
54	F17560		1	HEAD ASSEMBLY
55	FA178962		1	SHOCK ABSORBER W/BUSHING
56	F1931		2	STOP NUT, 1/2 - 20, STAINLESS STEEL
57	F1960		2	PLAIN WASHER
58	F449889		1	SHAFT, UPPER
59	F1822		3	HEX CAP SCREW, 5/16 - 18 X 7/8, STAINLESS STEEL
60	F17558		1	THRU-BOLT PACKAGE
61	F17568		1	HYDRAULIC PUMP AND VALVE ASSEMBLY
-	<b>F1877</b>		<b>2</b>	<b>TY-RAP (NOT SHOWN)</b>
62	F178344		1	BUSHING

## SPECIAL TOOLS - TUNE-UP

REF. NO.	PART NO.	SYM.	QTY.	DESCRIPTION
-	FT8948-1		0	PULLER TO REMOVE FLYWHEEL.
-	FTA2937-1		0	TIMING TOOL TO ADJUST TIMING POINTER.
-	FT2951		0	CIRCUIT TRACER TO TROUBLESHOOT ELECTRICAL SYSTEM.
-	FT8978		0	TIMING LIGHT FOR ADJUSTING IGNITION TIMING.

## SPECIAL TOOLS - POWER HEAD

REF. NO.	PART NO.	SYM.	QTY.	DESCRIPTION
-	FT8914		0	SEAL REMOVER TO REMOVE UPPER CRANKSHAFT BEARING CAGE SEAL.
-	FT8903		0	SEAL INSTALLER TO INSTALL UPPER CRANKSHAFT BEARING CAGE SEAL.
-	FT8927		0	SEAL PROTECTOR TO INSTALL UPPER CRANKSHAFT BEARING CAGE.
-	FT8907		0	DRIVE HANDLE USED WITH T 8903.
-	FT8925		0	SEAL INSTALLER TO INSTALL LOWER CRANKSHAFT SEAL.
-	FT2953		0	SOCKET TO TORQUE CONNECTING ROD SCREWS.
-	FT2990		0	PISTON PIN TOOL TO REMOVE AND INSTALL PISTON PINS.
-	FT2996		0	RING COMPRESSOR TO INSTALL PISTONS IN CYLINDER.
-	FT8926		0	RING EXPANDER TO INSTALL PISTON RINGS.
-	FT1082		0	SNAP RING PLIER TO REMOVE AND INSTALL DISTRIBUTOR RETAINING RING.
-	FT8933		0	LIFTING HOOK TO LIFT ENGINE.

# SPECIAL TOOLS - GEAR HOUSING

REF. NO.	PART NO.	SYM.	QTY.	DESCRIPTION
-	FT8948-1		0	PULLER TO REMOVE PROPELLER SHAFT BEARING CAGE FROM GEAR HOUSING.
-	FT8918		0	BEARING GUIDE SET TO REMOVE AND INSTALL BEARING CUP IN LOWER GEAR HOUSING.
-	FT2995		0	BEARING CUP INSTALLER TO INSTALL FORWARD BEARING CUP IN LOWER GEAR HOUSING.
-	FT8917		0	BEARING CUP REMOVER TO REMOVE REAR BEARING CUP FROM PROPELLER SHAFT BEARING CAGE.
-	FT8909		0	BEARING CUP INSTALLER TO INSTALL FORWARD BEARING CUP IN LOWER GEAR HOUSING.
-	FT8922		0	SLIDE HAMMER USED WITH T 8917
-	FT8910		0	BEARING CUP INSTALLER TO INSTALL REAR BEARING CUP IN PROPELLER SHAFT BEARING CAGE.
-	FT8957		0	SEAL INSTALLER TO INSTALL SHIFT ROD SEAL.
-	FT8908		0	SEAL INSTALLER TO INSTALL PROPELLER SHAFT SEAL IN PROPELLER SHAFT BEARING CAGE.
-	FT8915		0	SEAL PROTECTOR TO INSTALL BEARING CAGE ON PROPELLER SHAFT.
-	FT8916		0	BEARING INSTALLER TO INSTALL REVERSE GEAR AND BEARING ON PROPELLER SHAFT.
-	FT8906		0	BEARING SUPPORT TO INSTALL REVERSE GEAR AND BEARING ON PROPELLER SHAFT.
-	FT8911		0	DRIVESHAFT KNOCK-OFF NUT TO REMOVE DRIVESHAFT FROM UPPER GEAR HOUSING.
-	FT8905		0	BEARING REMOVER TO REMOVE BEARING FROM DRIVESHAFT.
-	FT8920		0	BEARING INSTALLER TO INSTALL BEARING ON DRIVESHAFT.
-	FT8925		0	SEAL INSTALLER TO INSTALL DRIVESHAFT SEAL IN UPPER HOUSING.
-	FT3012		0	SEAL INSTALLER TO INSTALL DRIVESHAFT SEAL IN WATER PUMP.
-	FT8924-1		0	CHECKING GAUGE TO MEASURE PROPELLER SHAFT END PLAY AND END FLOAT.
-	FTA8981		0	SPACER KIT TO SHIM LOWER UNIT - USE WITH T 8924-1.
-	FT8901		0	INDICATOR HOLDER USED IN CONJUNCTION WITH T 8924-1.
-	FT8902		0	DIAL INDICATOR USED IN CONJUNCTION WITH T 8924-1
-	FT8907		0	DRIVER HANDLE USED WITH T 8910, T 8909, T 8908.
-	FT8919		0	SPRING PIN PUNCH TO REMOVE CLUTCH SPRING PIN.
-	FT1081		0	SNAP RING PLIER TO REMOVE AND INSTALL DRIVESHAFT BEARING RETAINING RING.

## SPECIAL TOOLS - TEST EQUIPMENT

REF. NO.	PART NO.	SYM.	QTY.	DESCRIPTION
-	FTA8991		0	TEST WHEEL TO TEST MOTOR IN TEST TANK.
-	FT8950		0	LEAKAGE TESTER TO TEST LOWER UNIT SEALS FOR LEAKAGE.
-	FT8953		0	IGNITION TESTER TO TEST OUTPUT OF C-D UNIT.

## SPECIAL TOOLS - LUBRICANTS AND SEALANTS

REF. NO.	PART NO.	SYM.	QTY.	DESCRIPTION
-	FT2961		0	LUBRICANT - RYKON #2EP
-	FT2987-1		0	LUBRICANT - ANTI-SEIZE
-	FT8969		0	LUBRICANT - 7 OZ. 2 PSI LUBRICANT
-	FT8955		0	SEALANT - 5 OZ. EC-750 INDUSTRIAL SEALANT
-	FT8993		0	SEALANT - 3 OZ. RTV SEALANT FROM IN PLACE GASKETS
-	FT8936		0	SEALANT - 2 CC LOCTITE RETAINING COMPOUND #75
-	FT2962-1		0	SEALANT - 50 CC LOCTITE H, NON-HARDENING GRADE
-	FT2963-1		0	SEALANT - 2 OZ. LOCTITE D, HARDENING GRADE
-	FT8935		0	SEALANT PRIMER - 6 OZ.



# SPECIAL TOOLS - REPAIR DECALS - ENGINE COVERS

REF. NO.	PART NO.	SYM.	QTY.	DESCRIPTION
-	T11232		0	METALLIC SILVER
-	T11233		0	MEDIUM METALLIC SILVER
-	T11212		0	BOAT BLACK
-	T11211		0	BOAT WHITE
-	T11230		0	ORANGE

# ACCESSORIES

REF. NO.	PART NO.	SYM.	QTY.	DESCRIPTION
-	F861		0	FLUSHING ADAPTER PERMITS FRESH WATER FLUSHING OF WATER PASSAGES WITH STANDARD GARDEN HOSE.
-	F5H130		0	REMOTE CONTROL - SURFACE MOUNT PERMITS REMOTE CONTROL OF THROTTLE AND GEAR SHIFT FROM STARBOARD SIDE OF BOAT.
-	F5H120		0	REMOTE CONTROL BACK PLATE TO PREVENT INTERFERENCE WITH PADDED SIDE OF BOAT.
-	F5H131		0	PORT SIDE DECAL KIT CONVERTS 5H130 CONTROL BOX TO PORT SIDE MOUNTING.
-	F590		0	REMOTE CONTROL - FLUSH MOUNT FLUSH MOUNT CONTROL UNIT PERMITS REMOTE CONTROL OF THROTTLE AND GEAR SHIFT. MAY BE MOUNTED ON PORT OR STARBOARD SIDE OF BOAT.
-	865		0	REMOTE CONTROL - SURFACE MOUNT PERMITS REMOTE CONTROL OF THROTTLE AND GEAR SHIFT ON TWIN ENGINE INSTALLATIONS. MAY BE MOUNTED ON PORT OR STARBOARD SIDE OF BOAT.
-	F5H079		0	SINGLE REMOTE CONTROL BOX PERMITS REMOTE CONTROL OF THROTTLE AND GEAR SHIFT. CONSOLE MOUNTED.
-	F5H080		0	TWIN REMOTE CONTROL BOX PERMITS REMOTE CONTROL OF THROTTLE AND GEAR SHIFT - TWO ENGINES. CONSOLE MOUNTED.
-	F195/___		0	REMOTE CONTROL CABLES CONNECTS REMOTE CONTROL BOX TO THROTTLE AND GEAR SHIFT ON ENGINE. AVAILABLE IN 6 THROUGH 40 FOOT LENGTHS.
-	F5H132		0	REMOTE CONTROL HANDLE TRIM SWITCH HAS POWER TRIM CONTROL SWITCH IN HANDLE. REPLACES STANDARD CONTROL LEVER ON 5H130 CONTROL BOX.
-	F5H108		0	STEERING CONNECTOR CLEVIS TYPE FOR BOAT MOUNTED STEERING AND NONTHREADED CABLE END.
-	F5H094		0	STEERING LINK KIT CONNECTS STEERING CABLE TO ENGINE WHEN USING ENGINE MOUNTED STEERING SYSTEM.
-	F5H018		0	DUAL STEERING CONNECTOR PERMITS DUAL ENGINE INSTALLATIONS.
-	F5H026		0	STEEL, 6 GALLON FUEL TANK (LOW PROFILE) AUXILIARY TANK.
-	F5H029		0	TANK ANCHOR SECURES 5H026 TO BOAT.
-	F5H040		0	STEEL, 12 GALLON FUEL TANK AUXILIARY TANK.
-	5H111		0	INSTRUMENT ADAPTER - 2" PROVIDES SURFACE MOUNTING OF INSTRUMENTS.
-	F5H112		0	INSTRUMENT ADAPTER - 3 1/2" PROVIDES SURFACE MOUNTING OF INSTRUMENTS.
-	71H06		0	AMMETER FLUSH MOUNT MONITORS OUTPUT OF ALTERNATOR.
-	F5H019		0	ANTI-CORROSION KIT ELECTRICAL KIT FOR MOUNTING ON BOAT (12V) TO REDUCE CORROSION.
-	F5H025		0	ANTI-CORROSION SACRIFICIAL ANODE KIT USED TO REDUCE CORROSION.

CONTINUED ON NEXT PAGE ➡

# ACCESSORIES

REF. NO.	PART NO.	SYM.	QTY.	DESCRIPTION
-	F5H043		0	OVERHEAT BUZZER SOUNDS WARNING BUZZER IF ENGINE OVERHEATS.
-	F5H010		0	POWER TRIM INDICATOR INDICATES ENGINE TRIM ANGLE. (FLUSH MOUNT).
-	F5H134		0	BOAT WHITE LACQUER ENGINE TOUCH-UP PAINT IN 123/4 OZ. SPRAY BOMBS (6 CANS PER CASE).
-	F5H044		0	TILT STOP KIT LIMITS TILTING ANGLE.
-	F5H068		0	RFI SUPPRESSION KIT PROVIDES RADIO NOISE SUPPRESSION.
-	F5H151		0	SHOCK ABSORBER KIT
-	F5H064		0	EXHAUST SNOUT FOR UNUSUAL BOAT COMBINATIONS AND MORE CLEARANCE.
-	F5H081		0	BATTERY CABLE LONGER LENGTH - 15 FEET.
-	F5H006		0	VOLTMETER - FLUSH MOUNT INDICATES BATTERY CONDITION.
-	5H047		0	CANVAS HOOD PROTECTION FOR ENGINE COVER.
-	5H051		0	BATTERY, 74 AMP 12 VOLT HEAVY DUTY BATTERY.
-	F5H021		0	EXTENSION CABLE FOR LENGTHENING BATTERY CABLE 6 1/2 FEET.
-	F5H041		0	BATTERY TERMINAL KIT ADAPTS MODEL 5H051 BATTERY TERMINALS FOR CONNECTIONS TO BATTERY CABLE ON ENGINE.
-	71H25		0	CHARGE INDICATOR LAMP GLOWS GREEN WHEN ALTERNATOR IS RECHARGING BATTERY. DO NOT USE INDICATOR LAMP AND AMMETER IN SAME INSTALLATION.
-	F5H037		0	CIGAR LIGHTER FOR USE AS CONVENIENCE OUTLET.
-	168		0	CONTROL PANEL FOR MOUNTING LAMPS, SWITCHES, ETC.
-	F5H008		0	FUEL GAUGE FLUSH MOUNT MONITORS FUEL SUPPLY.
-	F5H123		0	HYDRAULIC TILT HYDRAULIC UNIT TO RAISE AND LOWER THE LOWER UNIT WHEN BEACHING OR TRAILERING BOAT.
-	479		0	HEAT LAMP KIT GLOWS RED IF ENGINE OVERHEATS. DO NOT USE HEAT LAMP AND TEMPERATURE GAUGE IN SAME INSTALLATION.
-	F5H007		0	HOURMETER RECORDS ENGINE RUNNING TIME.
-	478		0	IGNITION LAMP KIT GLOWS ORANGE WHEN IGNITION SWITCH IS IN "ON" POSITION.
-	F5H077		0	IGNITION KEY SWITCH SHORT BARREL WITH KEYS.
-	F5H078		0	IGNITION KEY SWITCH LONG BARREL WITH KEYS.
-	F762		0	REMOTE ELECTRIC CABLE 25 FOOT CABLE FOR LARGE BOATS.
-	F5H070		0	REMOTE ELECTRIC CABLE 21 FOOT CABLE FOR LARGE BOATS.
-	5H082		0	REMOTE ELECTRIC CABLE 35 FOOT CABLE FOR LARGE BOATS.
-	F5H028		0	SENDING UNIT FOR USE WITH 5H008 FUEL GAUGE.
-	F5H005		0	TEMPERATURE GAUGE FLUSH MOUNT MONITORS ENGINE TEMPERATURE. DO NOT USE TEMPERATURE GAUGE AND HEAT LAMP IN SAME INSTALLATION.

CONTINUED ON NEXT PAGE ➡

# ACCESSORIES

REF. NO.	PART NO.	SYM.	QTY.	DESCRIPTION
-	F5H012		0	TACHOMETER FLUSH MOUNT MONITORS ENGINE R.P.M. TO PROVIDE CHECK OF ENGINE PERFORMANCE.
-	F5H074		0	WATER PUMP KIT HEAVY DUTY WATER PUMP KIT.
-	F5H149		0	POWER TRIM ADJUSTS ENGINE TRIM AND TILTS ENGINE.
-	F5H002		0	SPEEDOMETER FLUSH MOUNT MONITORS BOAT SPEED (0 - 65 M.P.H.).
-	F5H004		0	SPEEDOMETER FLUSH MOUNT MONITORS BOAT SPEED (0 - 65 M.P.H.).
-	F5H115		0	TRAILERING TILT LOCK SECURES ENGINE IN HALF TILT POSITION FOR TRAILERING.
-	F5H076		0	SWITCH EXTENSION CABLE ALLOWS INSTALLATION OF IGNITION SWITCH IN 5H130 CONTROL BOX WITH 563 TERMINAL BLOCK.
-	F5H030		0	SWITCH KIT - RUNNING LIGHTS DASH MOUNTED TOGGLE SWITCH.
-	F5H031		0	SWITCH KIT - SPOT LIGHT DASH MOUNTED TOGGLE SWITCH.
-	F5H032		0	SWITCH KIT - WIPER DASH MOUNTED TOGGLE SWITCH.
-	F5H034		0	SWITCH KIT - BILGE PUMP DASH MOUNTED TOGGLE SWITCH.
-	F5H035		0	SWITCH KIT - HORN DASH MOUNTED TOGGLE SWITCH (MOMENTARY).
-	F5H036		0	SWITCH KIT - TACHOMETER TRANSFER DASH MOUNTED TOGGLE SWITCH FOR ONE TACHOMETER ON DUAL ENGINE INSTALLATION.
-	5H139		0	SWITCH KIT - LIVWELL FOR OPERATING PUMP IN BASSBOATS.
-	F5H038		0	SWITCH KIT - IGNITION SWITCH TO MOUNT IGNITION SWITCH ON DASH.
-	F5H039		0	SWITCH KIT - INSTRUMENT LIGHT DASH MOUNTED TOGGLE SWITCH.
-	F563		0	TERMINAL BLOCK KIT DOUBLE ROW 10 SECTION TO SIMPLIFY ACCESSORY INSTALLATION.
-	479		0	UNIMOUNT UNDER DASH MOUNT FOR INDICATORS, LAMPS AND IGNITION SWITCHES.
-	F5H075		0	WIRING HARNESS - IGNITION SWITCH (24") USE WITH 563 TERMINAL BLOCK.
-	F596		0	CHRYSLER OUTBOARD OIL SEE BLOCK COMMENT 1.
-	F597		0	CHRYSLER OUTBOARD GEAR LUBE SEE BLOCK COMMENT 2.
-	72H26		0	CHRYSLER OUTBOARD FUEL AID REMOVES MOISTURE, PREVENTS SLUDGE AND VARNISH AND STABILIZES GAS. AVAILABLE IN 16 OZ. CANS AND 12 CAN CASES.
-	72H27		0	CHRYSLER OUTBOARD STORAGE LUBRICANT WORKS AS A CORROSION INHIBITOR AND PROTECTS INTERNAL ENGINE PARTS DURING STORAGE. AVAILABLE IN 16 OZ. CANS AND 12 CAN CASES.

CONTINUED ON NEXT PAGE ➡

# ACCESSORIES

REF. NO.	PART NO.	SYM.	QTY.	DESCRIPTION
-	72H28		0	CHRYSLER OUTBOARD MULTI-PURPOSE SPRAY LUBE WORKS AS A LUBRICANT, CLEANER, MOISTURE REMOVER AND ELECTRIC INSULATOR. AVAILABLE IN 9 OZ. CANS AND 12 CAN CASES.
-	F72H29		0	CHRYSLER OUTBOARD MULTI-PURPOSE GREASE LUBRICATES BEARINGS AND OTHER MOVING PARTS. AVAILABLE IN 8 OZ. TUBES AND 12 TUBE CASES.
-	F72H30		0	CHRYSLER OUTBOARD GREASE GUN USED WITH CHRYSLER OUTBOARD MULTI-PURPOSE GREASE TUBES FOR PRESSURE FITTINGS.
-	72H34		0	CHRYSLER OUTBOARD MULTI-PURPOSE CLEANER

# PARTS INDEX

Part Number	Description	Pg.	Ref. No.	Part Number	Description	Pg.	Ref. No.
ÄF58356//	REMOTE CONTROL CABLE (SPECIFY LENGTH) . . . . .	43	4	F1059	FILL HD SCREW, S.S., 6 - 32 X 1/4 . . . . .	19	80
15169	FRAME AND FIELD ASSEMBLY . . . . .	15	9	F1064	FILL HD SCREW, S.S., 8 - 32 X 3/8 . . . . .	19	45
168	CONTROL PANEL . . . . .	57	-	F1072	FILL HD SCREW, 1/4 - 20 X 1 3/4 . . . . .	19	59
3C579944	COVER, ENGINE - COMPLETE . . . . .	3	-	F1087	PLAIN WASHER . . . . .	25	66
478	IGNITION LAMP KIT . . . . .	57	-	F1099	FILL HD SCREW, 1/4 - 20 X 1 1/4 . . . . .	27	100
479	HEAT LAMP KIT . . . . .	57	-	F1108	FILL HD SCREW W/LOCKWASHER, 1/4 - 20 X 3/4 . . . . .	17	2
479	UNIMOUNT . . . . .	58	-	F1110	FILL HD SCREW, 1/4 - 20 X 5/8 . . . . .	27	98
480373	DECAL, MAGNAPOWER IGNITION . . . . .	9	55	F1187	HEX HD SCREW, 1/4 - 20 X 1	23	35
481373-1	DECAL "ELECTRONIC" (NOT SHOWN) . . . . .	11	-	F1199	HEX CAP SCREW, 1/4 - 20 X 1 . . . . .	23	44
5H047	CANVAS HOOD . . . . .	57	-	F1203	HEX CAP SCREW, 1/4 - 20 X 7/8 . . . . .	47	22
5H051	BATTERY, 74 AMP . . . . .	57	-	F1263	HEX SOCKET HD CAP SCREW, 5/16 - 18 X 9/16 . . . . .	31	14
5H082	REMOTE ELECTRIC CABLE	57	-	F1280	PAN HD SCREW, 8 - 32 X 1/4	7	33
5H111	INSTRUMENT ADAPTER - 2"	56	-	F1280	PAN HD SCREW, 8 - 32 X 1/4	31	38
5H139	SWITCH KIT - LIVEWELL . . . . .	58	-	F1280	PAN HD SCREW, 8 - 32 X 1/4 (TERMINAL BOARD) (NOT SHOWN) . . . . .	43	-
71H06	AMMETER FLUSH MOUNT . . . . .	56	-	F1286	PAN HD SCREW, 4 - 40 X 3/16 . . . . .	23	31
71H25	CHARGE INDICATOR LAMP	57	-	F1310	ROUND HD SCREW, 10 - 24 X 5/8 . . . . .	47	28
72H26	CHRYSLER OUTBOARD FUEL AID . . . . .	58	-	F1341	HEX NUT, 1/4 - 20 . . . . .	23	13
72H27	CHRYSLER OUTBOARD STORAGE LUBRICANT . . . . .	58	-	F1346	HEX NUT, 3/8 - 16 . . . . .	31	21
72H28	CHRYSLER OUTBOARD MULTI-PURPOSE SPRAY LUBE . . . . .	59	-	F1347	HEX NUT, 3/8 - 16 . . . . .	27	95
72H34	CHRYSLER OUTBOARD MULTI-PURPOSE CLEANER . . . . .	59	-	F14006-2	CAP BASE . . . . .	11	37
817747--1	BALL JOINT W/STUD . . . . .	17	28	F14007	CAP SCREW . . . . .	11	33
817747--1	BALL JOINT W/STUD . . . . .	23	9	F14011-1	CAP COVER . . . . .	11	34
817783A5	SWIVEL BRACKET W/BEARING AND GREASE FITTING . . . . .	33	44	F14012-1	BRUSH . . . . .	13	39
817786A1	DISTRIBUTOR PULLEY W/STOP NUT AND WASHER . . . . .	11	3	F14015	CAP CLIP RIVET . . . . .	11	21
817787A1	CYLINDER DRAIN COVER W/PLUG . . . . .	23	33	F14017	TERMINAL INSULATOR (OUTSIDE) . . . . .	13	46
817788A3	SPACER PLATE W/PLUGS . . . . .	25	63	F14020-1	CAP SEAL . . . . .	11	36
817822A1	DISTRIBUTOR COMPLETE. . . . .	11	-	F14024	SPACER . . . . .	13	42
817892--1	IGNITION SWITCH PLATE - CANADA (NOT SHOWN) . . . . .	9	-	F14025	SPACER . . . . .	11	4
817931A7	MOTOR LEG COVER, REAR	31	7	F14028	THRUST WASHER . . . . .	11	5
817959A3	INTAKE MANIFOLD W/PLUG	17	23	F14029	THRUST WASHER . . . . .	11	7
85872-1	BRACKET . . . . .	25	49	F14030	CAP GASKET . . . . .	11	38
865	REMOTE CONTROL - SURFACE MOUNT . . . . .	56	-	F14036	SWIVEL . . . . .	11	13
89396A38	PRIME BULB . . . . .	41	9	F14037	CAP CLIPS . . . . .	11	14
A3	LEG COVER, FRONT . . . . .	33	54	F14038	CAP CLIP SCREWS . . . . .	11	15
A579391	DECAL-LEG, STARBOARD . . . . .	31	-	F14040	VENT . . . . .	11	35
A579392	DECAL-LEG, PORT . . . . .	31	1	F14041	EXTERNAL TOOTH LOCKWASHER . . . . .	11	23
F10000	GASKET SET (NOT SHOWN)	21	-	F14042	DISTRIBUTOR HOUSING W/BEARINGS . . . . .	11	12
F10026	REPAIR PARTS KIT. . . . .	21	103	F14043	DISTRIBUTOR SHAFT . . . . .	13	40
F1004	PLAIN WASHER . . . . .	31	20	F14045	SCREW . . . . .	11	16
F1009	HEX BOLT, 3/8 - 16 X 2 3/4 . . . . .	27	97	F14046	TERMINAL SCREW . . . . .	11	19
F1014	COTTER PIN . . . . .	21	84	F14047	TERMINAL INSULATOR (INSIDE) . . . . .	11	20
F1015	COTTER PIN . . . . .	37	47				

# PARTS INDEX

Part Number	Description	Pg.	Ref. No.	Part Number	Description	Pg.	Ref. No.
F14056	SCREW	13	47	F1540	HEX SLOT HD SCREW, 1/4 - 20 X 5/8	3	20
F1425	HEX CAP SCREW, 1/4 - 20 X 2 5/8	37	63	F1541	HEX CAP SCREW, 1/4 - 20 X 5/8	3	25
F1425	HEX CAP SCREW, 1/4 - 20 X 5/8	39	-	F154317	CABLE CLAMP	43	23
F1447	ROUND HD SCREW, 2 X 3/16	3	19	F1545	HEX HD SCREW, 1/4 - 20 X 1/2	21	91
F1461	TAPPING SCREW, #6 X 7/8	45	41	F1546	HEX HD CAP SCREW, 1/4 - 20 X 1/2	9	42
F1473	HEX NUT, 10 - 24	3	36	F1556	FILL HD SCREW W/LOCKWASHER, 10 - 24 X 3/8	23	14
F1475	FILL HD SCREW, 10 - 24 X 1/2	23	11	F1557	FLAT HD SCREW, 10 - 24 X 3/8	43	25
F1491	HEX CAP SCREW, 5/16 - 18 X 3 1/4	37	41	F1577	FILL HD SCREW, 1/4 - 20 X 3/4	35	20
F1502	HEX CAP SCREW, 1/4 - 20 X 5/8	21	97	F1593	HEX HD SCREW, 3/8 - 16 X 3	31	18
F1502	HEX HD SCREW, 1/4 - 20 X 5/8	15	14	F1612	HEX CAP SCREW, 3/8 - 16 X 1 1/4	11	8
F15034	SPRING SET	15	17	F1641	LOCK NUT	15	6
F1504	FILL HD SCREW, 1/4 - 20 X 1 1/4	19	56	F1645	RD HD SCREW, 6 - 32 X 1/4	9	52
F1504	FILL HD SCREW, 1/4 - 20 X 1 1/4	23	12	F1645	RD HD SCREW, 6 - 32 X 1/4	21	100
F15057	BRUSH PLATE AND HOLDER	15	18	F1647	HEX NUT, 10 - 32	25	86
F15080	SPRING	15	3	F1647	HEX NUT, 8 - 32	7	6
F15099	ARMATURE	15	8	F1647	HEX NUT, 8 - 32	11	24
F15100	BENDIX	15	20	F1648	PAN HD SCREW, 10 - 24 X 3/4	7	16
F15110	CLUTCH ASSEMBLY	15	4	F1664	SPRING PIN	31	8
F15111	NUT, STOP RETAINING	15	1	F1678	FILL HD SCREW, 10 - 24 X 13/16	7	2
F15112	STOP, PINION	15	2	F1692	WOODRUFF KEY	13	41
F15125	HEAD ASSEMBLY, COMMUTATOR END	15	16	F1693	TIE BAR RETAINER	19	46
F15126	THRUST WASHER PACKAGE	15	7	F1696	HEX BOLT, 5/16 - 18 X 1 3/4	31	33
F1513	HEX NUT	7	18	F17006	DETENT SPRING	43	18
F1513	HEX NUT	43	3	F17009	BEARING	43	14
F1513	HEX NUT, 10 - 32	17	29	F17010-1	THROTTLE GEAR	43	16
F1513	HEX NUT, 10 - 32	23	7	F17011	BOWED WASHER	43	15
F1515	HEX NUT	7	24	F17012	RETAINING PLATE	43	13
F1515	HEX NUT, 5/16 - 18	17	37	F17013	FILL HD SCREW, 1/4 - 20 X 1/2	43	11
F15165	BRUSH TERMINAL SET	15	10	F17014	THROTTLE ARM	43	10
F15167	HEAD ASSEMBLY DRIVE END	15	5	F17016	CABLE TERMINAL	43	9
F15168	THRU BOLT PACKAGE	15	12	F17019	CLUTCH ARM	43	5
F1528	WELCH PLUG	31	22	F17021	CLUTCH GEAR	43	19
F1532	HEX HD SCREW, 1/4 - 2 X 3/4	23	43	F17026	SWIVEL	43	24
F1532	HEX HD SCREW, 1/4 - 20 X 1	21	94	F1703	SPRING LOCKWASHER	25	62
F1533	HEX BOLT, 1/4 - 20 X 7/8	23	6	F17031-1	SNAP CAP	43	28
F1534	HEX CAP SCREW, 1/4 - 20 X 7/8	23	42	F17036	INTERNAL TOOTH LOCKWASHER	43	6
F1534	HEX CAP SCREW, 1/4 - 20 X 7/8	37	55	F1704	INTERNAL TOOTH LOCKWASHER	21	99
F1535	HEX CAP SCREW, 1/4 - 20 X 3/4	3	14	F1705	HEX CAP SCREW, 1/4 - 20 X 3/4	35	1
F1535	HEX HD SCREW, 1/4 - 20 X 3/4	27	90	F17068	DETENT SPRING	43	37
F1536	HEX CAP SCREW, 1/4 - 20 X 3/4	7	23	F17071	FILL HD SCREW, 10 - 24 X 5/16	43	22
				F1708	HEX HD CAP SCREW, 1/4 - 20 X 1 3/8	3	32
				F1708	HEX HD SCREW, 1/4 - 20 X 1 3/8	25	77

# PARTS INDEX

Part Number	Description	Pg.	Ref. No.	Part Number	Description	Pg.	Ref. No.
F17082-1	DETENT BALL	43	38	F17562-1	PISTON ASSEMBLY	49	52
F1709	HEX HD SCREW, 1/4 - 20 X 1 1/8	25	76	F17563	MOTOR AND RESERVOIR	47	26
F17092	SNAP RING	43	21	F17564	VALVE BODY AND PUMP	47	23
F17099-1	HOUSING	43	36	F17565	DRIVE GEAR	47	25
F17100	CLUTCH SHAFT	43	20	F17566	IDLE GEAR	47	24
F17103-1	BAG ASSEMBLY (NOT SHOWN)	45	-	F17568	HYDRAULIC PUMP AND VALVE ASSEMBLY	49	61
F17105	FELT WASHER	43	33	F17577	ADAPTER FITTING PACKAGE	47	48
F17106	COLLAR	43	34	F17577	ADAPTER FITTING PACKAGE	47	49
F17111	DETENT BALL	43	17	F17577	ADAPTER FITTING PACKAGE	49	50
F17112	JUNCTION BOARD, STARBOARD	43	26	F1759	SHIM, DISTRIBUTOR (QTY. AS REQUIRED)	11	11
F17113	JUNCTION BOARD, PORT	43	-	F1760	PAN HD SCREW, 10 - 24 X 3/8	7	19
F1713	SPRING PIN	35	26	F1760	PAN HD SCREW, 10 - 24 X 3/8	11	25
F17146	WOOD SCREW	43	35	F1760	PAN HD SCREW, 10 - 24 X 3/8	19	60
F17147	INTERNAL TOOTH LOCKWASHER	43	12	F1760	PAN HD SCREW, 10 - 24 X 3/8	23	2
F17148	DECAL, STARBOARD	43	27	F177330	FUEL PUMP VALVE	17	9
F17149	COTTER PIN	43	8	F1778	PLAIN WASHER	11	9
F1715	HEX BOLT, 1/4 - 28 X 9/16	43	7	F178323	SEAL, MOTOR LEG	31	13
F1727	PLASTIC RIVET	23	16	F178344	BUSHING	49	62
F1729	PLUG	31	5	F178362	BEARING	47	42
F1730	SCREW, PAN HD W/SPRING LOCKWASHER, 1/4 - 20 X 5/8	3	4	F178446	CLAMP	47	10
F1730	SPRING LOCKWASHER	33	53	F1788	STOP NUT	35	15
F1733	SCREW, PAN HD, 10 - 24 X 9/16	3	2	F17932	SEAL, FUEL TANK ADAPTER	41	12
F1734	FILL HD MOUNTING SCREW AND LOCKWASHER, 1/4 - 20 X 1/2	47	32	F18160-2	REED	23	28
F1734	FILL HD SCREW W/LOCKWASHER, 1/4 - 20 X 1/2	7	14	F1822	HEX BOLT, 5/16 - 18 X 7/8	33	57
F1741	PAN HD SCREW, 8 X 3/4	7	35	F1822	HEX CAP SCREW, 5/16 - 18 X 7/8, STAINLESS STEEL	49	59
F1741	THREAD FORMING SCREW, 8 X 3/4	47	9	F1832	STOP NUT, 1/4 - 20	25	59
F17500	SPRING SET	47	4	F1836	PLAIN WASHER	39	72
F17504	BRUSH SET	47	3	F184033-1	CHOKE ARM SWIVEL	21	85
F17505	RESERVOIR AND BRACKET W/SEAL	47	14	F184579	SEAL, CHOKE ARM SWIVEL	21	82
F17508	THRUST WASHER	47	11	F1851	FILL HD SCREW W/LOCKWASHER, 10 - 24 X 1/2	7	39
F17510	"O" RING	47	13	F1857	HEX CAP SCREW, 5/16 - 18 X 5/8	3	23
F17518	FILTER CAP	47	12	F1857	HEX CAPSCREW, 5/16 - 18 X 5/8	3	35
F17522	"O" RING	47	27	F1858	HEX CAP SCREW, 5/16 - 18 X 1	3	24
F17528	"O" RING	49	53	F1858	HEX CAP SCREW, 5/16 - 18 X 1	37	39
F17539	BALL	47	2	F1860	SLOTTED BINDING HD SCREW, 6 - 32 X 1/4	17	1
F17543	HEAD ASSEMBLY, COMMUTATOR END	47	1	F1864	HEX SLOT HD SCREW, 1/4 - 20 X 3/4	31	4
F1755	RD HD SCREW W/LOCKWASHER, 6 - 32 X 5/16	17	16	F1866	PLAIN WASHER	35	16
F17555	ARMATURE	47	7	F1867	HEX CAP SCREW, 3/8 - 16 X 1	29	19
F17556	FIELD AND FRAME ASSEMBLY	47	6	F1869	HEX BOLT, 3/8 - 16 X 1 1/4	25	61
F17557	GASKET	47	5	F1871	HEX HD SCREW, 3/8 - 16 X 3/4	33	49
F17558	THRU-BOLT PACKAGE	49	60				
F17560	HEAD ASSEMBLY	49	54				
F17561-1	"O" RING	49	51				



# PARTS INDEX

Part Number	Description	Pg.	Ref. No.	Part Number	Description	Pg.	Ref. No.
F1872	HEX BOLT, 3/8 - 16 X 1 3/4	27	99	F2016	FILL HD SCREW, 6 - 32 X 7/8	21	101
F1873	HEX BOLT, 3/8 - 16 X 3	27	96	F2030	HEX HD SCREW, 1/4 - 20 X 1		
F1877	TY-RAP	7	29		1/4	33	58
F1877	TY-RAP (NOT SHOWN)	49	-	F203276	BOOT	11	30
F1883	HEX BOLT, 5/16 - 18 X 2 3/8	25	67	F2033	GROOVE PIN	21	87
F1885	HEX BOLT, 5/16 - 18 X 4 1/4	25	55	F203673	TERMINAL CLIP	11	31
F1885	HEX CAP SCREW, 5/16 - 18			F2042	PLAIN WASHER	23	5
	X 4 1/4	35	6	F2042	PLAIN WASHER	27	105
F1892	STOP NUT	9	53	F2047	WAVE WASHER	3	30
F1907	PLAIN WASHER	35	7	F2050	HEX HD SCREW, 1/4 - 20 X 1		
F1910	STOP NUT, 1/4 - 20	17	31		1/2	17	26
F19109	PLUG	25	73	F2066	PAN HEAD TAPPING		
F19109	PLUG, GEAR HOUSING	37	31		SCREW, 10 X 7/16	5	38
F1912	HEX HD SCREW, 10 - 24 X			F2067	PLASTISOL CAP (NOT		
	1/2	33	47		SHOWN) FOR EXPOSED		
F1916	HEX HD SCREW, 1/4 - 20 X 1				THREADS OF		
	1/8	17	25		CRANKSHAFT	29	-
F1931	STOP NUT, 1/2 - 20,			F2088	FASTENER	3	7
	STAINLESS STEEL	49	56	F2089	SLOTTED PAN HD MACHINE		
F1934	FLAT HD SLOTTED SCREW,				SCREW, 10 - 24 X 5/16	27	101
	6 X 1/2	9	50	F2090	PLUG	25	64
F1936	SPACER, BEVEL GEAR			F2093	STOP NUT, 3/8 - 24	31	29
	FRONT .059	35	28	F2107	FILL HD SCREW, 10 - 24 X		
F1937	SPACER, BEVEL GEAR				5/8	7	9
	FRONT .062	35	-	F2108	LOCK NUT, 5/16 - 18	33	60
F1938	SPACER, BEVEL GEAR			F2108	STOP NUT, 5/16 - 18	25	58
	FRONT .065	35	-	F2113	SPACER, BEVEL GEAR		
F1939	SPACER, BEVEL GEAR				FRONT .080	35	-
	FRONT .068	35	-	F2114	SPACER, BEVEL GEAR		
F1940	SPACER, BEVEL GEAR				FRONT .083	35	-
	FRONT .071	35	-	F2115	SPACER, BEVEL GEAR		
F1941	SPACER, BEVEL GEAR				FRONT .086	35	-
	FRONT .074	35	-	F2116	SPACER, BEVEL GEAR		
F1942	SPACER, BEVEL GEAR				FRONT .089	35	-
	FRONT .077	35	-	F2121	SPACER, BEVEL GEAR		
F195/	REMOTE CONTROL CABLES	56	-		FRONT .057	35	-
F1950	HEX HD SCREW, 10 - 24 X			F2122	SPACER, BEVEL GEAR		
	5/8	25	81		FRONT .054	35	-
F1959	FERRY HD CAP SCREW, 1/4			F213274	GREASE FITTING	11	27
	- 20 X 1 3/4, STAINLESS			F213274	GREASE FITTING	31	32
	STEEL	47	30	F213342	SEAL, FUEL LINE COUPLER		
F1960	PLAIN WASHER	49	57		(LARGE)	41	4
F1963	ELASTIC STOP NUT, 5/8 - 18	47	41	F213735	SEAL, FUEL LINE COUPLER		
F1966	PLUG, SWIVEL BRACKET	47	15		(SMALL)	41	5
F1968	FLYWHEEL NUT	29	21	F24278	PROPELLER SHAFT SPOOL		
F1975	SPRING LOCKWASHER	7	10		SEAL	39	-
F1975	SPRING LOCKWASHER	11	26	F24278	SEAL, "O" RING PROPELLER		
F197787-3	FUEL LINE COUPLER	41	6		SHAFT SPOOL	35	10
F1987	PLAIN WASHER	33	45		BEARING	17	32
F1990	HEX CAP SCREW	39	-	F269319	CRANKSHAFT THRUST		
F1990	HEX CAP SCREW, 1/4 - 20 X				BEARING UPPER	29	22
	1 5/8	37	61	F289446-1	CLAMP	7	12
F1994	HEX SOCKET HD CAP			F298788	FERRULE	41	7
	SCREW, 5/16 - 18 X 1	37	37	F2A404757	CYLINDER DRAIN REED		
F1997	STOP NUT, 8 - 32	17	40		PLATE W/REEDS, STOPS,		
F2000	HEX CAP SCREW, 5/16 - 18				METERG CUP & SCRWS	23	27
	X 3/4	9	47	F2A498023	BEVEL GEAR FRONT		
F2008	HEX HD SCREW, 1/4 - 20 X				W/BEARING	35	29
	7/8	17	24				
F2015	HEX NUT, 1/4 - 28	23	19				

# PARTS INDEX

Part Number	Description	Pg.	Ref. No.	Part Number	Description	Pg.	Ref. No.
F2A523239	SPOOL, PROPELLER SHAFT BEARING W/SEALS	35	11	F438346	SHOCK MOUNT, LOWER	33	55
F2A550706	GEAR HOUSING COVER W/SEAL	37	53	F438398	DECAL, WIRING - USA	25	75
F307317	CLIP, TERMINAL BLOCK	7	17	F438500	FUEL SEDIMENT BOWL	17	14
F316579	SEAL, CRANKCASE	29	11	F438617	FUEL SEDIMENT BOWL GASKET	17	13
F316599	SEAL, STEERING SUPPORT TUBE	33	66	F438653	FUEL SEDIMENT BOWL SCREEN	17	12
F319908	WIRE, GROUND	9	57	F438668	RETAINER, CABLE CLAMP	7	13
F321756	PACKING	3	31	F438744-1	WIRING HARNESS	7	4
F321841-3	LEAD WIRE	11	32	F438747	FUEL PUMP DIAPHRAGM	17	7
F333316	THROTTLE ROLLER SHAFT	19	49	F438754	FUEL LINE	19	79
F333480-1	RETAINER, ENGINE COVER	5	37	F438760	FUEL PUMP GASKET	17	8
F335215	SPACER, PISTON PIN (2 PER PISTON)	29	3	F438801	FITTING	17	5
F335217-1	BEARING PISTON PIN (26 PER SET)	29	5	F438841-1	LEAD WIRE - CANADA	11	-
F335654-1	STOP, DEFLECTION	3	21	F438905	COIL WIRE - CANADA	11	-
F338618-1	GEAR SHIFT ROD SEAL	39	-	F438930	RETAINER, SNOUT	37	36
F338618-1	SEAL, GEAR SHIFT ROD	31	16	F438962	SHOCK MOUNT SLIDE	31	15
F338618-1	SEAL, GEAR SHIFT ROD	37	56	F439736	SEAL EXHAUST TUBE	31	6
F345475-1	COIL	9	44	F448342	SEAL, PISTON SHAFT	47	34
F345683	WIRE, REGULATOR-RECTIFIER GROUND	7	5	F448446	CLAMP, CABLE TRIM SWITCH	45	39
F351307	SEAL, WATER PUMP	37	64	F448543	KNOB	43	29
F353480	STUD	31	25	F448611-1	HANDLE	43	30
F369529	CYLINDER HEAD GASKET	25	74	F449010	CYLINDER	47	38
F369529	CYLINDER HEAD GASKET	27	-	F449253-1	HYDRAULIC LINE, TRIM CYLINDER, LOWER	47	44
F369610	BEARING	25	53	F449254	HYDRAULIC LINE, TRIM CYLINDER, UPPER	47	29
F369887	SHOULDER SCREW	25	52	F449278	PISTON SEAL	47	36
F369977-1	INTERLOCK ARM	25	54	F449354	THRUST BRACKET	47	31
F381896-4	BATTERY CABLE	7	30	F449545-2	CYLINDER HOUSING	47	40
F391926-1	CHOKE SOLENOID PLUNGER	21	89	F449632	SHAFT	47	43
F391983	RETAINING BAND	7	27	F449754-1	HYDRAULIC LINE, LIFT CYLINDER, LOWER	47	46
F3A523158	REED PLATE W/REEDS, REED STOP AND SCREW	17	19	F449758	HYDRAULIC LINE, LIFT CYLINDER, UPPER	47	45
F40209	CARBURETOR STUD	17	36	F449889	SHAFT, UPPER	49	58
F40223	GASKET, TRANSFER PORT COVER	23	41	F449894	INDICATOR	43	32
F40223	TRANSFER PORT COVER GASKET	27	-	F455449	SWITCH	45	40
F40278	SEAL, CYLINDER	47	37	F455690	SET SCREW	43	31
F404097	FLYWHEEL	7	1	F460917	STARTER RELAY	7	26
F404268	SPRING, BY-PASS VALVE	25	84	F474073-1	CLAMP SCREW	31	26
F404470-1	REGULATOR-RECTIFIER	7	8	F474387	TIMING DECAL - USA	9	56
F404513	COIL CLAMP	7	40	F476066-1	COVER, THERMOSTAT	25	47
F404801	FITTING	23	36	F476067	GASKET, THERMOSTAT COVER	27	94
F404841	CABLE, HEAT INDICATOR	7	37	F476067	THERMOSTAT COVER GASKET	27	-
F40689-1	BEARING, TOWERSHAFT	25	60	F480038-2	PLATE, SUPPORT	3	15
F407446	CLAMP	7	31	F480107-1	CAM, STARTER INTERLOCK	27	102
F409251-1	GAUGE CAP	41	1	F480388	DISC, WATER PUMP LOCATING	37	62
F433209-1	STUD	17	30	F480518	CYLINDER HEAD	25	72
F433253	HOSE	23	37	F480551-1	BRACKET INTERLOCK SWITCH	21	95
F438066	BY-PASS VALVE COVER	25	82	F480818	BEARING, LATCH SHAFT	3	13
F438129	SEAL, DRIVESHAFT SPLINE	39	71	F481382-1	SPACER, LATCH SHAFT	3	29
F438165	SCREW, FUEL PUMP BOWL	17	15	F481434	GUIDE, ENGINE COVER	3	8
F438169	BEARING	31	34	F481567	CARBURETOR INTAKE ADAPTER	19	55
F438271	RETAINER, CRANKSHAFT SPLINE SEAL	39	70				

# PARTS INDEX

Part Number	Description	Pg.	Ref. No.	Part Number	Description	Pg.	Ref. No.
F481774	BRACKET, ENGINE COVER			F523834	CLIP, SPARK PLUG WIRE ..	23	3
	LATCH .....	3	9	F523881-2	STEERING LINK .....	31	30
F481777	CAM, LATCH SHAFT .....	3	28	F523899	GROMMET, WATER LINE ..	35	4
F481836	INTAKE GASKET .....	19	70	F523930	RETAINER .....	31	36
F481836	INTAKE GASKET .....	27	-	F523961	CRUSH RING .....	37	50
F481860-1	CARBURETOR, INTAKE ...	19	57	F523962	SHOCK MOUNT - C.D. UNIT	9	46
F485755-1	FUEL TANK ADAPTER .....	41	3	F528068	THERMOSTAT .....	25	70
F498061-1	CARBURETOR COMPLETE			F530160	REED (5 PETAL) .....	17	18
	(WB26B) .....	19	72	F531892	DECAL, PORT .....	43	-
F498618	GEAR SHIFT ARM PIN SEAL	39	-	F532299	WASHER, PROPELLER		
F498618	SEAL .....	37	33		SPLINE .....	35	17
F498891	PIN, GEAR SHIFT ARM .....	37	32	F53504	GROMMET .....	19	58
F498891	PIN, PROPELLER NUT			F545189	BUSHING, CABLE ENTRY ..	3	17
	RETAINING .....	35	14	F548984	BLANKET, SILENCER - TOP		
F499995	CYLINDER HEAD COVER ..	25	68		(NOT SHOWN) .....	5	-
F500843	CABLE .....	47	8	F548985	BLANKET, SILENCER - SIDE		
F50109	PLUG, GEAR HOUSING .....	37	44		(NOT SHOWN) .....	5	-
F50342-1	BEARING CAGE BOLT SEAL	39	-	F549189	BUSHING, ELECTRIC CABLE	3	16
F50342-1	SEAL, BEARING CAGE			F563	TERMINAL BLOCK KIT .....	58	-
	BOLTS .....	35	8	F58685-2	CONNECTOR, SHIFT CABLE	43	2
F506118	PROPELLER SHAFT SEAL ..	39	-	F590	REMOTE CONTROL - FLUSH		
F506118	SEAL, DRIVESHAFT .....	37	52		MOUNT .....	56	-
F506118	SEAL, PROPELLER SHAFT ..	35	9	F596	CHRYSLER OUTBOARD OIL	58	-
F510374	DECAL, CIRCUIT BREAKER -			F597	CHRYSLER OUTBOARD		
	USA .....	7	41		GEAR LUBE .....	58	-
F510460	CIRCUIT BREAKER .....	7	22	F5H002	SPEEDOMETER FLUSH		
F511125-2	TUBE, STEERING SUPPORT	31	23		MOUNT .....	58	-
F511675	STARTER BRACKET,			F5H004	SPEEDOMETER FLUSH		
	LOWER .....	15	15		MOUNT .....	58	-
F523031	GASKET, WATER PUMP ...	37	57	F5H005	TEMPERATURE GAUGE		
F523031	GASKET, WATER PUMP ...	39	-		FLUSH MOUNT .....	57	-
F523057	BEARING, DRIVESHAFT			F5H006	VOLTMETER - FLUSH		
	LOWER .....	37	66		MOUNT .....	57	-
F523065	IMPELLER .....	39	-	F5H007	HOURLY METER .....	57	-
F523065	WATER PUMP IMPELLER ..	37	59	F5H008	FUEL GAUGE FLUSH		
F523094-2	PROPELLER NUT .....	35	13		MOUNT .....	57	-
F523099-1	SPACER, PROPELLER .....	35	19	F5H010	POWER TRIM INDICATOR ..	57	-
F523116	EXHAUST SNOUT .....	37	38	F5H012	TACHOMETER FLUSH		
F523133-2	MOTOR LEG .....	33	62		MOUNT .....	58	-
F523146	SEAL, CRANKSHAFT			F5H018	DUAL STEERING		
	LOWER .....	29	13		CONNECTOR .....	56	-
F523188	NUT, BEVEL PINION			F5H019	ANTI-CORROSION KIT .....	56	-
	RETAINING .....	37	34	F5H021	EXTENSION CABLE .....	57	-
F523244	INLET WATER LINE .....	35	5	F5H025	ANTI-CORROSION		
F523273	STEERING BALL STUD .....	31	37		SACRIFICIAL ANODE .....	56	-
F523274	GREASE FITTING .....	33	65	F5H026	FUEL TANK (ACCESSORY		
F523280	NUT, STEERING SUPPORT				ITEM) .....	41	2
	TUBE .....	33	64	F5H026	STEEL, 6 GALLON FUEL		
F523300-1	SPRING, STEERING LINK ..	31	41		TANK (LOW PROFILE) ...	56	-
F523411	RETAINING RING .....	35	23	F5H028	SENDING UNIT .....	57	-
F523498	DRIVE KEY, WATER PUMP ..	37	68	F5H029	TANK ANCHOR .....	56	-
F523498	KEY .....	39	-	F5H030	SWITCH KIT - RUNNING		
F523555	GEAR HOUSING COVER				LIGHTS .....	58	-
	SEAL .....	39	-	F5H031	SWITCH KIT - SPOT LIGHT ..	58	-
F523555	SEAL, "O" RING - GEAR			F5H032	SWITCH KIT - WIPER .....	58	-
	HOUSING COVER .....	37	49	F5H034	SWITCH KIT - BILGE PUMP ..	58	-
F523562	PLATE, WATER PUMP .....	39	-	F5H035	SWITCH KIT - HORN .....	58	-
F523562	WATER PUMP BACK PLATE	37	58	F5H036	SWITCH KIT - TACHOMETER		
F523705	GEAR SHIFT ROD LOWER ..	37	46		TRANSFER .....	58	-
F523813	BEARING CUP .....	35	30	F5H037	CIGAR LIGHTER .....	57	-

# PARTS INDEX

Part Number	Description	Pg.	Ref. No.	Part Number	Description	Pg.	Ref. No.
F5H038	IGNITION SWITCH MOUNTING KIT (ACCESSORY ITEM) . . . .	9	49	F762	REMOTE ELECTRIC CABLE	57	-
F5H038	SWITCH KIT - IGNITION SWITCH . . . . .	58	-	F8003	PLAIN WASHER . . . . .	23	30
F5H039	SWITCH KIT - INSTRUMENT LIGHT . . . . .	58	-	F8004	WASHER, PLAIN . . . . .	3	27
F5H040	STEEL, 12 GALLON FUEL TANK . . . . .	56	-	F8011	PLAIN WASHER . . . . .	7	20
F5H041	BATTERY CABLE CLAMP KIT. (ACCESSORY ITEM) .	7	32	F8026	PLAIN WASHER . . . . .	21	104
F5H041	BATTERY TERMINAL KIT . . . . .	57	-	F8028	PLAIN WASHER . . . . .	15	13
F5H043	OVERHEAT BUZZER . . . . .	57	-	F8038	PLAIN WASHER . . . . .	27	103
F5H043	OVERHEAT BUZZER (ACCESSORY ITEM) . . . .	7	36	F8038	PLAIN WASHER . . . . .	31	40
F5H044	TILT STOP KIT . . . . .	57	-	F8039	PLAIN WASHER . . . . .	33	50
F5H064	EXHAUST SNOUT . . . . .	57	-	F8056	LOCKWASHER . . . . .	11	18
F5H068	RFI SUPPRESSION KIT . . . . .	57	-	F8056	LOCKWASHER . . . . .	13	43
F5H070	REMOTE ELECTRIC CABLE	57	-	F8056	SPRING LOCKWASHER . . .	7	7
F5H074	WATER PUMP KIT . . . . .	58	-	F8056	SPRING LOCKWASHER . . .	25	87
F5H075	WIRING HARNESS - IGNITION SWITCH (24") . .	58	-	F8058	INTERNAL TOOTH LOCKWASHER . . . . .	17	27
F5H076	SWITCH EXTENSION CABLE	58	-	F8058	INTERNAL TOOTH LOCKWASHER . . . . .	25	48
F5H077	IGNITION KEY SWITCH . . . . .	57	-	F8077	WASHER . . . . .	39	-
F5H078	IGNITION KEY SWITCH . . . . .	57	-	F8077	WASHER, GEAR HOUSING PLUG . . . . .	37	43
F5H078	IGNITION SWITCH W/KEYS AND SCREWS . . . . .	7	34	F8080	SPRING LOCKWASHER . . .	31	39
F5H079	SINGLE REMOTE CONTROL BOX . . . . .	56	-	F8083	LOCKWASHER . . . . .	3	26
F5H080	TWIN REMOTE CONTROL BOX . . . . .	56	-	F8083	SPRING LOCKWASHER . . .	9	43
F5H081	BATTERY CABLE . . . . .	57	-	F8083	SPRING LOCKWASHER . . .	31	3
F5H094	STEERING LINK KIT . . . . .	56	-	F8083	SPRING LOCKWASHER . . .	37	54
F5H108	STEERING CONNECTOR . . . . .	56	-	F8083	SPRING LOCKWASHER . . .	39	-
F5H112	INSTRUMENT ADAPTER - 3 1/2" . . . . .	56	-	F8088	PLAIN WASHER . . . . .	21	102
F5H115	TRAILERING TILT LOCK . . . . .	58	-	F8088	PLAIN WASHER . . . . .	21	83
F5H120	REMOTE CONTROL BACK PLATE . . . . .	56	-	F8095	PLAIN WASHER . . . . .	27	104
F5H123	HYDRAULIC TILT . . . . .	57	-	F8096	LOCKWASHER . . . . .	3	22
F5H130	REMOTE CONTROL - SURFACE MOUNT . . . . .	56	-	F8096	LOCKWASHER . . . . .	3	34
F5H131	PORT SIDE DECAL KIT . . . . .	56	-	F8096	SPRING LOCKWASHER . . .	7	25
F5H132	REMOTE CONTROL HANDLE TRIM SWITCH . . . . .	56	-	F8096	SPRING LOCKWASHER . . .	33	56
F5H134	BOAT WHITE LACQUER . . . . .	57	-	F8096	SPRING LOCKWASHER . . .	37	40
F5H149	POWER TRIM . . . . .	58	-	F84011	WASHER . . . . .	33	46
F5H151	SHOCK ABSORBER KIT . . . . .	57	-	F84074	CLAMP SCREW FOOT . . . .	31	24
F63754	HOSE INTAKE DRAIN . . . . .	19	63	F84146-2	SEAL . . . . .	29	20
F7004	STOP NUT, 3/18 - 16 . . . . .	23	24	F84278	CRANKSHAFT BRG. CAGE SEAL . . . . .	27	-
F7012	LOCK NUT, 1/2 - 20 . . . . .	31	17	F84278	SEAL, CRANKSHAFT BEARING CAGE . . . . .	29	17
F7013	STOP NUT . . . . .	11	2	F84286-1	FRICITION WASHER . . . . .	33	43
F72H29	CHRYSLER OUTBOARD MULTI-PURPOSE GREASE	59	-	F84304	SEAL, PROPELLER SHAFT BEARING SPOOL . . . . .	35	12
F72H30	CHRYSLER OUTBOARD GREASE GUN . . . . .	59	-	F84305	PROPELLER SHAFT SPOOL SEAL . . . . .	39	-
F74305	GEAR HOUSING COVER SEAL . . . . .	39	-	F84307-1	DRIVESHAFT SEAL . . . . .	39	-
F74305	SEAL, DRIVESHAFT BEARING CAGE . . . . .	37	51	F84314-2	ELBOW . . . . .	17	3
				F84314-2	ELBOW . . . . .	23	22
				F84342	SEAL, INLET WATER LINE UPPER . . . . .	35	3
				F84449	INTERLOCK SWITCH . . . . .	21	98
				F84504	GROMMET . . . . .	25	71
				F84504	THERMOSTAT GROMMET . .	27	-
				F84521-1	CLUTCH . . . . .	35	27
				F84792	GASKET, FUEL PUMP VALVE . . . . .	17	10
				F84871-1	PIN, GEAR SHIFT . . . . .	35	25
				F85017	PISTON PIN . . . . .	29	4
				F85026	SWIVEL . . . . .	23	21

# PARTS INDEX

Part Number	Description	Pg.	Ref. No.	Part Number	Description	Pg.	Ref. No.
F85033	CHOKE ROD SWIVEL	19	81	F85664	DISTRIBUTOR GROUND	11	28
F85035	DISTRIBUTOR CONTROL ROD END	23	20	F85664	WIRE, DISTRIBUTOR GROUND	9	51
F85036	TOWERSHAFT CONTROL ROD END	23	17	F85704	COUPLER, GEARSHIFT ROD - UPPER	33	63
F85037-1	STERN BRACKET PIVOT BOLT	33	42	F85748-2	CYLINDER DRAIN REED PLATE GASKET	27	-
F85095-2	STATOR	7	3	F85748-2	GASKET, CYLINDER DRAIN REED PLATE	23	25
F85117	BRACKET, WATER LINE	35	2	F85762	BY-PASS VALVE PLATE GASKET	27	-
F85122	CRANKCASE SEAL	27	-	F85762	GASKET, BY-PASS VALVE	25	83
F85122	PARTING LINE SEAL	27	93	F85772	CLAMP	31	12
F85130	BOOT, IDLE EXHAUST	31	9	F85779-1	BAFFLE, AIR INTAKE	33	48
F85151-1	EXHAUST PORT PLATE	25	80	F85843-1	REMOTE ELECTRIC CABLE, 18 FEET	7	38
F85152-4	EXHAUST PORT COVER	25	78	F85859	STUD, FORWARD	23	23
F85154-1	EXHAUST PORT PLATE GASKET	27	-	F85906	CARBURETOR GASKET	17	35
F85154-1	GASKET, EXHAUST PORT PLATE	25	79	F85906	CARBURETOR GASKET	27	-
F85159	GASKET, INTAKE MANIFOLD	17	22	F85908	STARTER LEAD WIRE	15	19
F85159	MANIFOLD GASKET	27	-	F85916-1	BY-PASS VALVE	25	85
F85161-1	REED STOP	17	17	F85924	CHOKE SOLENOID	7	28
F85162	REED PLATE ADAPTER	17	21	F85925	CHOKE ROD	21	86
F85168	CARBURETOR ADAPTER FLANGE GASKET	27	-	F85965	SHOCK MOUNT, UPPER	33	52
F85168	GASKET REED PLATE ADAPTER	17	20	F861	FLUSHING ADAPTER	56	-
F85173	RETAINING RING	11	6	F89758	FUEL PUMP AIR HOSE, TOP	17	4
F85192-1	THROTTLE CAM	17	33	F9018	CAP	31	28
F85210	STUD	27	91	F9052	PLUG	33	61
F85211	STUD, REAR	23	46	F90619-1	YOKE	39	73
F85253-1	FUEL LINE	21	88	F90807	RETAINING RING	19	47
F85258	INSERT	31	10	F9095	SHIM, DRIVESHAFT BEARING UPPER .005 - SILVER	37	-
F85279-2	CYLINDER EXHAUST GASKET, UPPER	25	51	F9097	SHIM, DRIVESHAFT BEARING UPPER .010 - BLACK	37	-
F85311	DISTRIBUTOR BELT	11	1	F9106	SHIM, DRIVESHAFT BEARING UPPER .003 - BRASS	37	67
F85314-1	FUEL FITTING	21	92	F91446-1	CIRCUIT BREAKER BRACKET	7	21
F85317-1	CLAMP	21	90	F92759	THROTTLE ROLLER	19	48
F85372	PIN, GEAR SHIFT ROD LOWER	37	48	F93811	SCREEN	23	26
F8538	SPRING PIN	31	27	F93920	REED STOP	23	29
F85380	SPRING	31	11	F97772	FUEL LINE CLAMP	41	11
F85410	SNAP RING	29	8	F97772	HOSE CLAMP	19	62
F85445	DISTRIBUTOR CONTROL ROD	23	18	F98273	ROD END CONNECTOR STUD	25	50
F85453-1	CYLINDER, EXHAUST - LOWER GASKET	27	-	FA14048-2	PREAMPLIFIER	11	17
F85472-2	CYLINDER DRAIN COVER GASKET	27	-	FA15072	HEX LOCK NUT, 1/4 - 20	15	11
F85472-2	GASKET, CYLINDER DRAIN COVER	23	32	FA17559	LIFT CYLINDER COMPLETE	47	47
F85498	FLYWHEEL KEY	29	16	FA178962	SHOCK ABSORBER W/BUSHING	49	55
F85502	THROTTLE LINK	23	8	FA321574	DISTRIBUTOR BRACKET	11	10
F85509-1	CHOKE LINK	19	78	FA335260	PISTON RING SET (3 PER SET) STANDARD	29	1
F85571	BEARING CAGE W/ROLLER	29	10	FA368700	KEY, IGNITION - NO LETTER OR STAMPED A	9	54
F85606	KINGPIN CAP	31	31	FA411222	TRANSFER PORT COVER W/PLUG	23	40
F85610	BEARING	25	56				
F85615	GEAR SHIFT ROD - UPPER	33	59				
F8563	DOWEL PIN	27	92				
F85634-2	CONNECTING ROD SCREW	29	14				
F85660-1	EXHAUST TUBE	31	2				

# PARTS INDEX

Part Number	Description	Pg.	Ref. No.	Part Number	Description	Pg.	Ref. No.
FA438431	FUEL PUMP BODY			FAC535395	IDENTIFICATION PLATE,		
	W/VALVES	17	11		W/SCREWS - CANADA	3	-
FA438493	TERMINAL BLOCK BRACKET	7	11	FB368700	KEY IGNITION - STAMPED B	9	-
FA439746	FUEL PUMP COVER			FC368700	KEY IGNITION - STAMPED C	9	-
	W/PLUG	17	6	FC409398	DECAL, TOTE TANK -		
FA449015	PISTON	47	35		CANADA (NOT SHOWN)	41	-
FA449149	COVER W/SEALS AND			FC438398	DECAL WIRING - CANADA	25	-
	RETAINER	47	33	FC474387	TIMING DECAL - CANADA	9	-
FA480010	CYLINDER ASSEMBLY			FC499390	DECAL, STARTER (CANADA)		
	W/PARTNG LINE SEAL &				NOT SHOWN	15	-
	LOWR MAIN BEARG			FC510374	DECAL, CIRCUIT BREAKER -		
	ASS'Y	27	89		CANADA	9	-
FA480179	TRIM, TOP	3	1	FC522227	SPARK PLUG (CHAMPION		
FA480269	HANDLE, TILT	3	3		QUL-77V) - CANADA	25	-
FA480876	GEAR SHIFT ARM			FC548010	SHORT BLOCK.	27	-
	W/SWIVEL, INTERLOCK			FC550054	GEAR HOUSING COMPLETE	37	-
	ARM AND BEARINGS	25	57	FD368700	KEY IGNITION - STAMPED D	9	-
FA480894	TIMING POINTER	23	1	FE368700	KEY IGNITION - STAMPED E	9	-
FA481469	LATCH HANDLE, ENGINE			FG1020	GASKET SET	27	106
	COVER W/SHAFT	3	12	FK1063-1	SEAL KIT	39	74
FA481743	LATCH, ROLLER BRACKET			FK1069	WATER PUMP KIT	39	75
	W/ROLLER	3	33	FK405020	SWIVEL W/PIVOT SCREW		
FA498266	BEVEL PINION GEAR				AND NUT	23	15
	W/CRUSH RING AND			FK550128	DRIVESHAFT W/BEARING,		
	SHIMS	37	35		SHIMS AND CRUSH RING	39	69
FA510497	TERMINAL BLOCK	7	15	FK750-3	SPARKIE	13	44
FA523014	CRANKSHAFT LOWER MAIN			FK85228-1	BEARING CAGE W/ROLLER	29	7
	BEARING W/SEAL	29	12	FO10165	INLET SEAT GASKET	19	75
FA523054	GEAR HOUSING	37	42	FO10588	BODY CHANNEL CUP PLUG	17	39
FA523098	PROPELLER SHAFT	35	24	FO10790	INLET NEEDLE, SEAT AND		
FA523485	ANTI-CORROSION ANODE	35	21		GASKET	19	76
FA523735	SEAL, INLET WATER LINE			FO11103	IDLE SCREW SPRING	19	53
	LOWER	37	65	FO13552	FUEL BOWL	19	67
FA535395	IDENTIFICATION PLATE,			FO13554	FLOAT	19	69
	W/SCREWS - USA	3	18	FO13944	FLOAT LEVER PIN	19	68
FA548180	TRIM, REAR	3	5	FO13945	FUEL BOWL RETAINING		
FA548888	TRIM, FRONT	5	40		SCREW	19	65
FA549944	COVER, ENGINE			FO13966	IDLE TUBE	17	34
	W/RETAINER	3	6	FO14108	MAIN FUEL JET (.064) OPT.		
FA579396	DECAL, ENGINE COVER				1500 FT. - 3000 FT.	19	-
	STARBOARD	3	-	FO14166	IDLE SCREW	19	54
FA579397	DECAL, ENGINE COVER -			FO14167	THROTTLE SHUTTER	17	42
	PORT	3	11	FO14186	MAIN FUEL JET (.060) OPT.		
FA58976-1	CONNECTOR, THROTTLE				4500 FT. - 6000 FT.	19	-
	CABLE	43	1	FO14187	MAIN FUEL JET (.062) OPT.		
FA84621-1	COUPLING, GEAR SHIFT				3000 FT. - 4500 FT.	19	-
	ARM W/BUSHING	37	45	FO14188	MAIN FUEL JET (.066) STD.		
FA84754-1	FUEL LINE SHORT				SEA LEVEL - 1500 FT.	19	52
	W/FERRULES	41	8	FO14471	CHOKE SHUTTER	19	77
FA85018-2	CRANKSHAFT W/BEARING	29	15	FO15209	MAIN NOZZLE	21	93
FA85019	KINGPIN W/PLUG	31	35	FO15230	THROTTLE SHAFT AND		
FA85193	TIE BAR END W/SWIVEL	17	43		LEVER	19	50
FA85355-1	WASHER SHOCK MOUNT			FO15337	MAIN FUEL JET (.058) OPT.		
	UPPER	33	51		6000 FT. & UP.	19	-
FA85511	THROTTLE TIE BAR			FO15623	FUEL BOWL GASKET	19	71
	W/SWIVEL	19	44	FO16008	THROTTLE SHAFT RETURN		
FA85655-1	CRANKSHAFT MAIN				SPRING	19	51
	BEARING RACE W/SNAP			FO16397	CHOKE SHAFT RETURN		
	RING	29	9		SPRING	19	73
				FO16850	CHOKE SHAFT AND LEVER	19	74

# PARTS INDEX

Part Number	Description	Pg.	Ref. No.	Part Number	Description	Pg.	Ref. No.
FO2510	GASKET, FUEL BOWL			FT8948-1	PULLER	50	-
	RETAINING SCREW	19	66	FT8948-1	PULLER	52	-
FO4326	BODY CHANNEL WELCH			FT8950	LEAKAGE TESTER	53	-
	PLUG	17	38	FT8953	IGNITION TESTER	53	-
FO8942	SHUTTER SCREW			FT8955	SEALANT - 5 OZ. EC-750		
	W/LOCKWASHER	17	41		INDUSTRIAL SEALANT	54	-
FO8942	THROTTLE SHUTTER			FT8957	SEAL INSTALLER	52	-
	SCREW AND			FT8969	LUBRICANT - 7 OZ. 2 PSI		
	LOCKWASHER	21	96		LUBRICANT	54	-
FP524	PROPELLER (ACCESSORY			FT8978	TIMING LIGHT	50	-
	ITEM)	35	18	FT8993	SEALANT - 3 OZ. RTV		
FS409752	FUEL LINE COMPLETE.	41	-		SEALANT FROM IN PLACE		
FS480955	STARTER COMPLETE.	15	-		GASKETS	54	-
FSA335260	PISTON RINGS (3 PER SET)			FTA2937-1	TIMING TOOL	50	-
	.010 OVERSIZE	29	-	FTA8981	SPACER KIT	52	-
FT1081	SNAP RING PLIER	52	-	FTA8991	TEST WHEEL	53	-
FT1082	SNAP RING PLIER	51	-	OB3061	LITERATURE (NOT SHOWN)	43	-
FT2951	CIRCUIT TRACER	50	-	T11211	BOAT WHITE	55	-
FT2953	SOCKET	51	-	T11212	BOAT BLACK	55	-
FT2961	LUBRICANT - RYKON #2EP	54	-	T11230	ORANGE	55	-
FT2962-1	SEALANT - 50 CC LOCTITE			T11232	METALLIC SILVER	55	-
	H, NON-HARDENING			T11233	MEDIUM METALLIC SILVER	55	-
	GRADE	54	-	22-817789A1	DRAIN FITTING	19	64
FT2963-1	SEALANT - 2 OZ. LOCTITE			22-818103--1	ELBOW	19	61
	D, HARDENING GRADE	54	-	31-817785A2	CRANKSHAFT BEARING		
FT2987-1	LUBRICANT - ANTI-SEIZE	54	-		CAGE W/SEAL	29	18
FT2990	PISTON PIN TOOL	51	-	32-817738A1	FUEL LINE LONG W/CLAMP		
FT2995	BEARING CUP INSTALLER	52	-		AND FERRULE	41	10
FT2996	RING COMPRESSOR	51	-	33-97180	SPARK PLUG (CHAMPION L-		
FT3012	SEAL INSTALLER	52	-		20-V)	25	65
FT8901	INDICATOR HOLDER	52	-	39-818110A1	PISTON RINGS (3 PER SET)		
FT8902	DIAL INDICATOR	52	-		.030 OVERSIZE	29	-
FT8903	SEAL INSTALLER	51	-	46-817853A1	WATER PUMP	39	-
FT8905	BEARING REMOVER	52	-	46-817853A1	WATER PUMP BODY		
FT8906	BEARING SUPPORT	52	-		W/DRIVESHAFT SEAL,		
FT8907	DRIVE HANDLE	51	-		DISC AND WATER LINE		
FT8907	DRIVER HANDLE	52	-		SEAL	37	60
FT8908	SEAL INSTALLER	52	-	84-817775A1	COIL WIRE W/TERMINAL		
FT8909	BEARING CUP INSTALLER	52	-		CLIP - USA	11	29
FT8910	BEARING CUP INSTALLER	52	-	87-817778A1	THERMOSWITCH	27	88
FT8911	DRIVESHAFT KNOCK-OFF			300-817855A1	UNIT	9	45
	NUT	52	-	600-818052A4	CONNECTING ROD W/CAP		
FT8914	SEAL REMOVER	51	-		AND SCREWS	29	6
FT8915	SEAL PROTECTOR	52	-	700-817988A2	PISTON .010 OVERSIZE	29	-
FT8916	BEARING INSTALLER	52	-	700-818111A2	PISTON .030 OVERSIZE	29	-
FT8917	BEARING CUP REMOVER	52	-	700-F372015-3	PISTON (STANDARD)	29	2
FT8918	BEARING GUIDE SET	52	-	1400-817958A6	STERN BRACKET	31	19
FT8919	SPRING PIN PUNCH	52	-				
FT8920	BEARING INSTALLER	52	-				
FT8922	SLIDE HAMMER	52	-				
FT8924-1	CHECKING GAUGE	52	-				
FT8925	SEAL INSTALLER	51	-				
FT8925	SEAL INSTALLER	52	-				
FT8926	RING EXPANDER	51	-				
FT8927	SEAL PROTECTOR	51	-				
FT8933	LIFTING HOOK	51	-				
FT8935	SEALANT PRIMER - 6 OZ.	54	-				
FT8936	SEALANT - 2 CC LOCTITE						
	RETAINING COMPOUND						
	#75	54	-				