



PARTS CATALOG

100 H.P.

SERIAL NUMBER

100 (1981)	1006B1C
100 (1981)	1006H1C
100 (1981)	1008B1B
100 (1981)	1008H1B

TABLE OF CONTENTS:

ACCESSORIES	61
CARBURETOR	16
CRANKSHAFT AND PISTON GROUP	32
DISTRIBUTOR	12
ELECTRICAL COMPONENTS	6
ENGINE COVER AND SUPPORT PLATE	2
FUEL PUMP AND REED PLATE	20
FUEL TANK AND LINE	46
GEAR HOUSING	40
MOTOR LEG	34
PARTS INDEX	64
POWER HEAD	24
POWER TRIM UNIT	52
REMOTE CONTROL	48
SPECIAL TOOLS - GEAR HOUSING	58
SPECIAL TOOLS - LUBRICANTS AND SEALANTS	60
SPECIAL TOOLS - POWER HEAD	57
SPECIAL TOOLS - TEST EQUIPMENT	59
SPECIAL TOOLS - TUNE-UP	56
STARTER	10

NOTE: Indented description indicate that these parts are included in preceeding assembly.

AR = As Required

NSS = Not Sold Separate

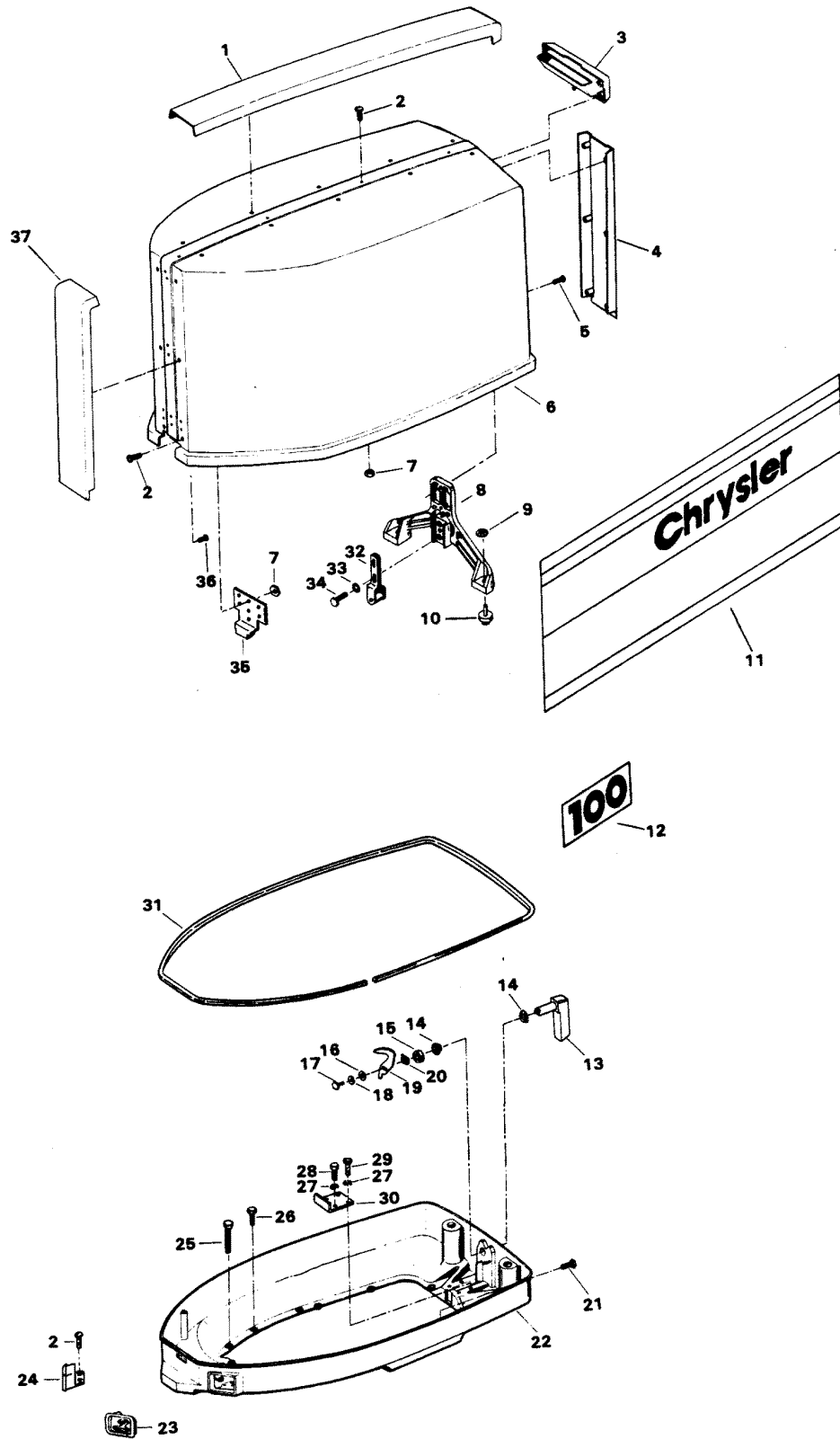
OPT = Optional

NS = Not Shown

THESE PARTS BOOKS/FICHE CARD ARE COPYRIGHTED AND MAY NOT BE DISTRIBUTED OR REPRODUCED IN ANY OTHER FORMAT BY ANYONE OTHER THAN MERCURY MARINE WITHOUT THE PRIOR WRITTEN CONSENT OF MERCURY MARINE.

THIS PAGE INTENTIONALLY LEFT BLANK

ENGINE COVER AND SUPPORT PLATE

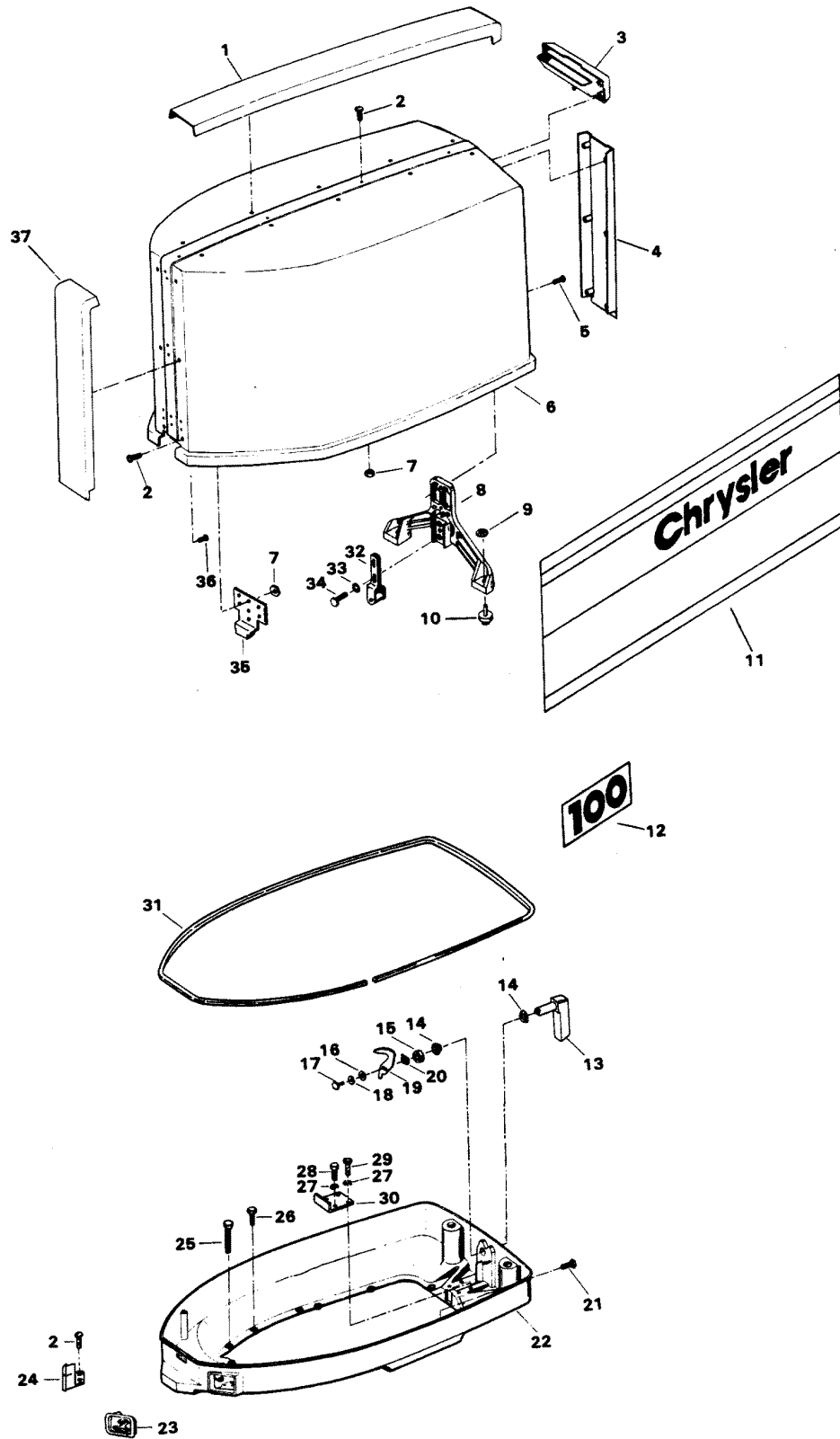


ENGINE COVER AND SUPPORT PLATE

REF. NO.	PART NO.	SYM.	QTY.	DESCRIPTION
1	FA480179		1	TRIM TOP W/LITERATURE
2	F1733		10	PAN HD MACHINE SCREW, 10 - 24 X 9/16
3	FA480269		1	TILT HANDLE W/LITERATURE
4	FA552180		1	TILT HANDLE W/LITERATURE
5	F1730		3	PAN HD SCREW W/SPRING LOCKWASHER, 1/4 - 20 X 5/8
6	FA552944		1	ENGINE COVER W/ILLUS. 2, 7 AND 35
-	3C612944		1	ENGINE COVER, COMPLETE INCLUDES ALL ITEMS MARKED WITH AN ASTERISK (*). NOTE: ORDER NUMERAL DECALS SEPARATE
7	F1473		7	HEX NUT
8	F481774		1	BRACKET, COVER LATCH
9	F2088		2	FASTENER
10	F481434		2	GUIDE, ENGINE COVER
11	FA612397		1	DECAL, PORT W/LITERATURE. NOTE: ORDER NUMERAL DECALS SEPARATE
-	FA612396		1	DECAL, STARBOARD W/LITERATURE
12	FA612386		2	DECAL, NUMERAL W/LITERATURE
13	FA481469		1	HANDLE W/SHAFT
14	F480818		2	BEARING
15	F481382-1		1	SPACER, LATCH SHAFT
16	F8094		1	PLAIN WASHER
17	F1854		1	HEX CAP SCREW, 1/4 - 20 X 5/8
18	F8083		1	SPRING LOCKWASHER
19	F481777		1	CAM, LATCH
20	F2047		1	WAVE SPRING LOCKWASHER
21	F1864		6	HEX CAP SCREW, 1/4 - 20 X 3/4
22	F480038-2		1	SUPPORT PLATE
23	F549189		1	BUSHING, ELECTRIC CABLE
24	F545189		1	BUSHING, CABLE ENTRY
25	F1708		2	HEX HD CAP SCREW, 1/4 - 20 X 1 - 3/8
-	F548984		1	BLANKET, SILENCER TOP (NOT SHOWN)
-	F552985		2	BLANKET, SILENCER SIDE (NOT SHOWN)
26	F1922		5	HEX CAP SCREW, 1/4 - 20 X 5/8
27	F8096		4	SPRING LOCKWASHER
28	F1858		2	HEX CAP SCREW, 5/16 - 18 X 1
29	F1857		2	HEX CAP SCREW, 5/16 - 18 X 5/8
30	F335654-1		1	DEFLECTION STOP
31	F321756		1	PACKING, COVER
32	FA481743		1	ROLLER BRACKET ASSEMBLY

CONTINUED ON NEXT PAGE ➡

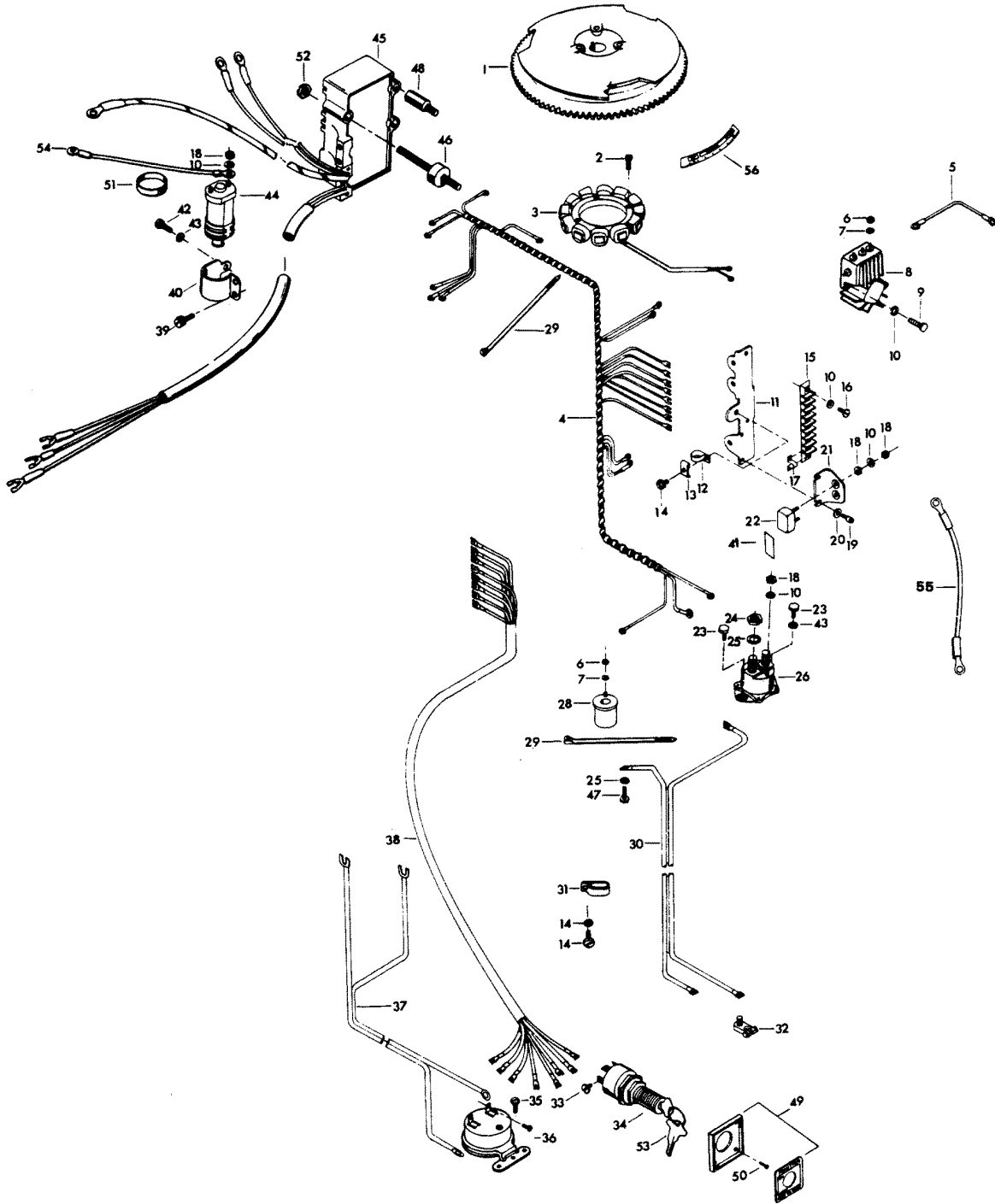
ENGINE COVER AND SUPPORT PLATE



ENGINE COVER AND SUPPORT PLATE

REF. NO.	PART NO.	SYM.	QTY.	DESCRIPTION
33	F8096		2	SPRING LOCKWASHER
34	F1857		2	HEX CAP SCREW, 5/16 - 18 X 5/8
35	F373778-1		1	RETAINER, ENGINE COVER
36	F2066		30	PAN HD TAPPING SCREW, 10 X 7/16 (TRIM TO COVER)
37	FA552888		1	TRIM FRONT W/LITERATURE

ELECTRICAL COMPONENTS

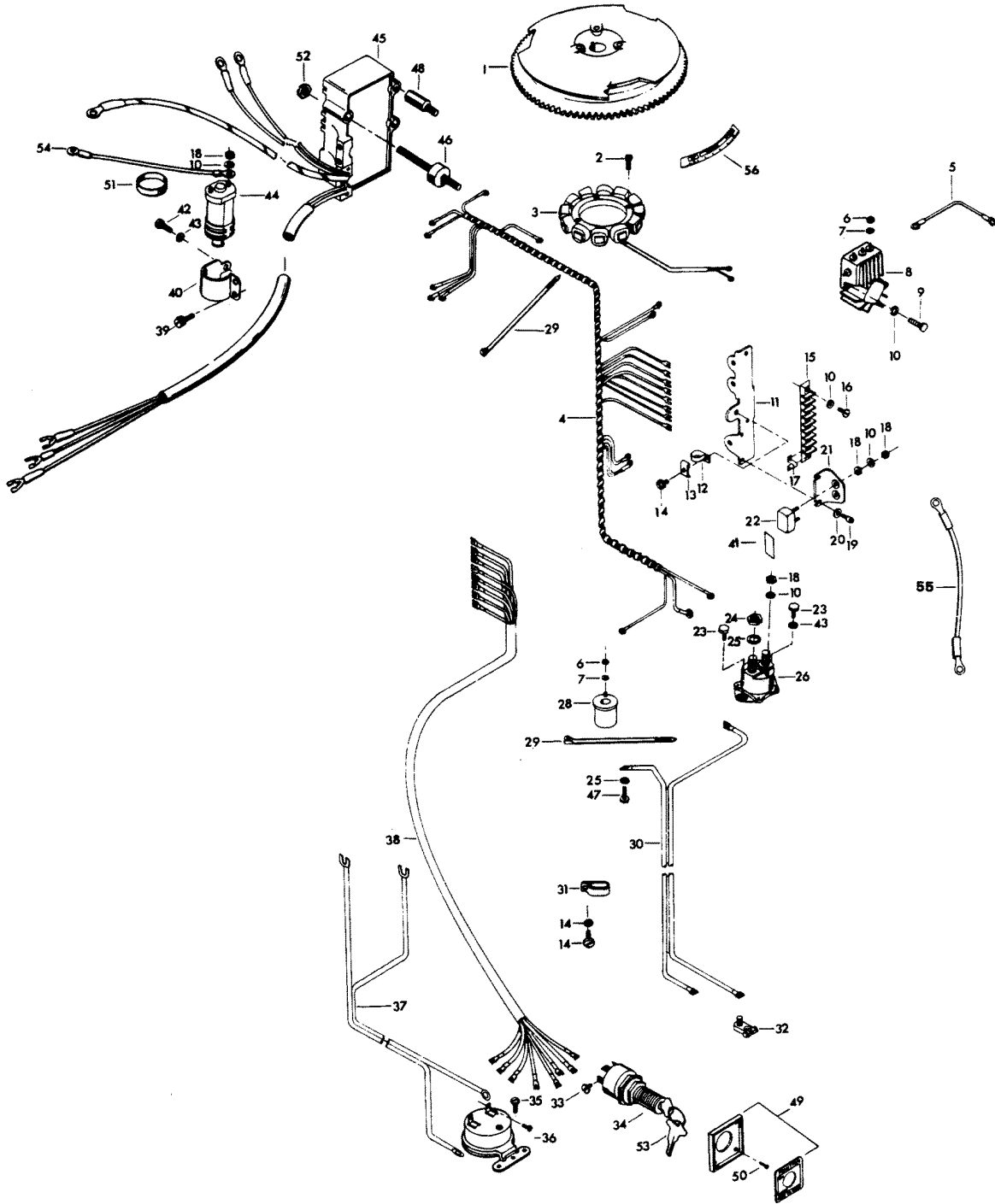


ELECTRICAL COMPONENTS

REF. NO.	PART NO.	SYM.	QTY.	DESCRIPTION
1	F404097		1	FLYWHEEL
2	F1087		6	FILL HD SCREW, 10 - 24 X 13/16
3	F85095-2		1	STATOR
4	F438744-1		1	WIRING HARNESS
5	F345683		1	WIRE, REGULATOR-RECTIFIER GROUND
6	F1647		5	HEX NUT, 8 - 32
7	F8056		5	SPRING LOCKWASHER
8	F404470-1		1	REGULATOR-RECTIFIER
9	F2107		3	FILL HD SCREW, 10 - 24 X 5/8
10	F1975		8	SPRING LOCKWASHER
11	FA439493		1	TERMINAL BLOCK BRACKET WILLUS. 13 AND 14
12	F289446-1		1	CLAMP
13	F438668		1	RETAINER, CABLE CLAMP
14	F1734		2	FILL HD SCREW W/LOCKWASHER, 1/4 - 20 X 1/2
15	FA510497		1	TERMINAL BLOCK WILLUS. 16 ORIGINAL FORCE P/N K 289497-2
16	F1648		2	PAN HD SCREW, 10 - 24 X 3/4
17	F307317		1	CLIP, TERMINAL BLOCK
18	F1513		8	HEX NUT
19	F1760		2	PAN HD SCREW, 10 - 24 X 3/8
20	F8011		2	PLAIN WASHER
21	F91446-1		1	CIRCUIT BREAKER BRACKET
22	F510460		1	CIRCUIT BREAKER
23	F1705		2	HEX CAP SCREW, 1/4 - 20 X 3/4
24	F1515		2	HEX NUT
25	F8096		3	SPRING LOCKWASHER
26	F460917		1	STARTER RELAY
27	F1645		2	RD HD SCREW, 6 - 32 X 1/4
28	F85924		1	CHOKE SOLENOID
29	F1877		2	TY-RAP
30	F381896-4		1	BATTERY CABLE
31	F407446		1	CLAMP
32	F319908		1	GROUND WIRE - CANADA
33	F1280		6	PAN HD SCREW, 8 - 32 X 1/4
34	F5H078		1	IGNITION SWITCH (LONG BARREL) W/KEYS AND SCREWS (ACCESSORY ITEM)
35	F1741		2	PAN HD SCREW, 8 X 3/4
36	F5H043		1	OVERSEAT BUZZER (ACCESSORY ITEM)
37	F404841		1	CABLE, HEAT INDICATOR
38	F85843-1		1	REMOTE ELECTRIC CABLE, 18 FEET
39	F1851		2	FILL HD SCREW W/LOCKWASHER, 10 - 24 X 1/2
40	F404513		1	COIL CLAMP
41	F510374		1	DECAL, CIRCUIT BREAKER U.S.A.
-	FC510374		1	DECAL, CIRCUIT BREAKER - CANADA

CONTINUED ON NEXT PAGE ➡

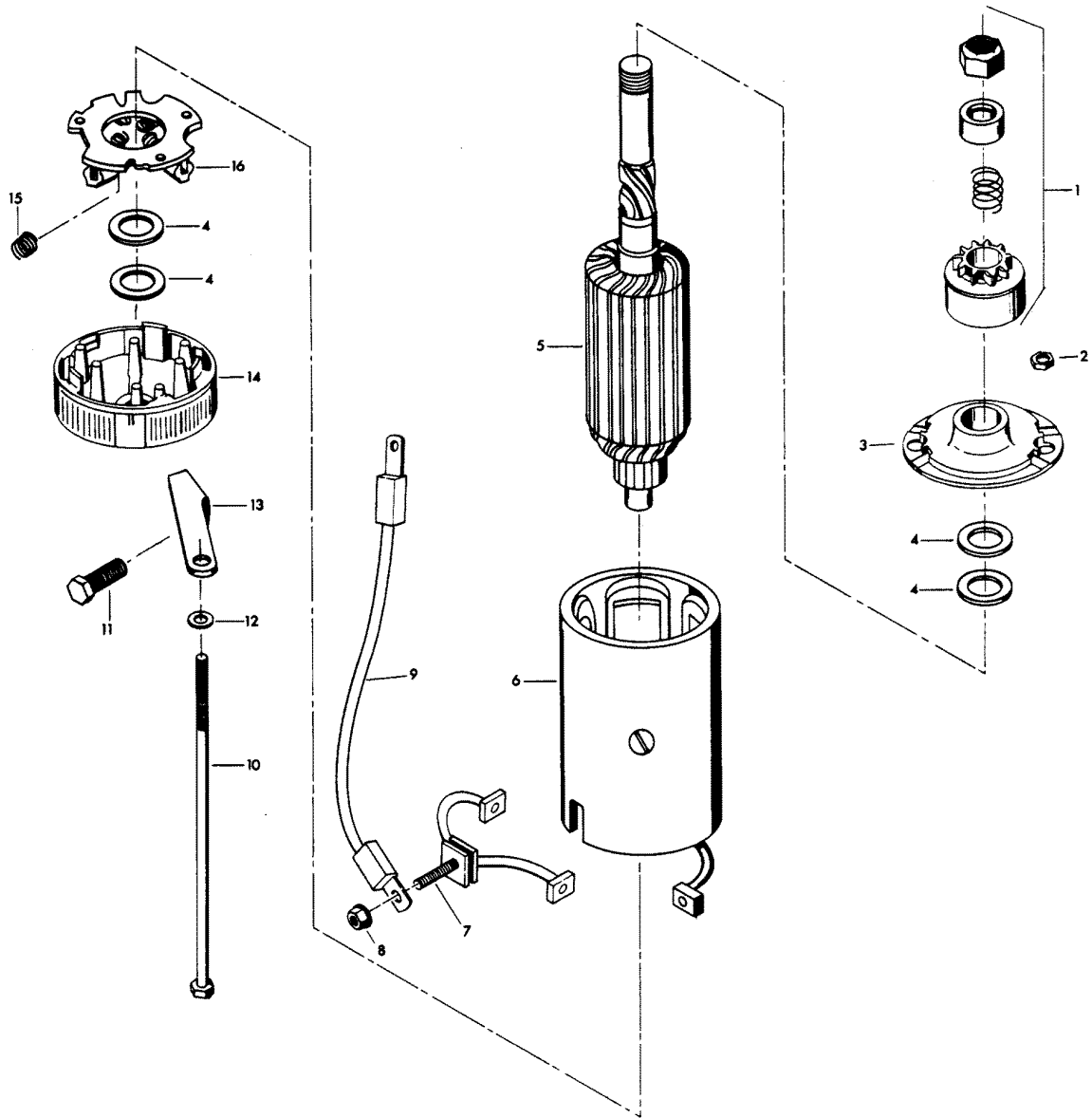
ELECTRICAL COMPONENTS



ELECTRICAL COMPONENTS

REF. NO.	PART NO.	SYM.	QTY.	DESCRIPTION
42	F1689		1	HEX HD CAP SCREW, 1/4 - 20 X 1/2
43	F8083		2	SPRING LOCKWASHER
44	F345475-1		1	COIL
45	300-817855A1		1	UNIT (ORIGINAL FORCE P/N A 523301-1)(Does not include Coil & Clamp)
46	F523962		3	SHOCK MOUNT - C.D. UNIT
47	F2000		1	HEX CAP SCREW, 5/16 - 18 X 3/4
48	F322273		1	STUD, C.D. UNIT
49	F5H038		1	IGNITION SWITCH MOUNTING KIT (ACCESSORY ITEM)
-	817892--1		1	PLATE, IGNITION SWITCH - CANADA (NOT SHOWN)
50	F1934		4	FLAT HD SLOTTED SCREW, 6 X 12
51	F391983		2	RETAINING BAND
52	F1892		3	STOP NUT
53	FA368700		1	KEY, IGNITION - NO LETTER OR STAMPED A
-	FB368700		1	KEY, IGNITION - STAMPED B
-	FC368700		1	KEY, IGNITION - STAMPED C
-	FD368700		1	KEY, IGNITION - STAMPED D
-	FE368700		1	KEY, IGNITION - STAMPED E
54	F85664		1	GROUND WIRE
56	F474387		1	TIMING DECAL - USA
-	FC474387		1	TIMING DECAL - CANADA
57	F71H26		1	BATTERY TERMINAL KIT (ACCESSORY ITEM) (FOR USE WITH 71H26 ONLY)

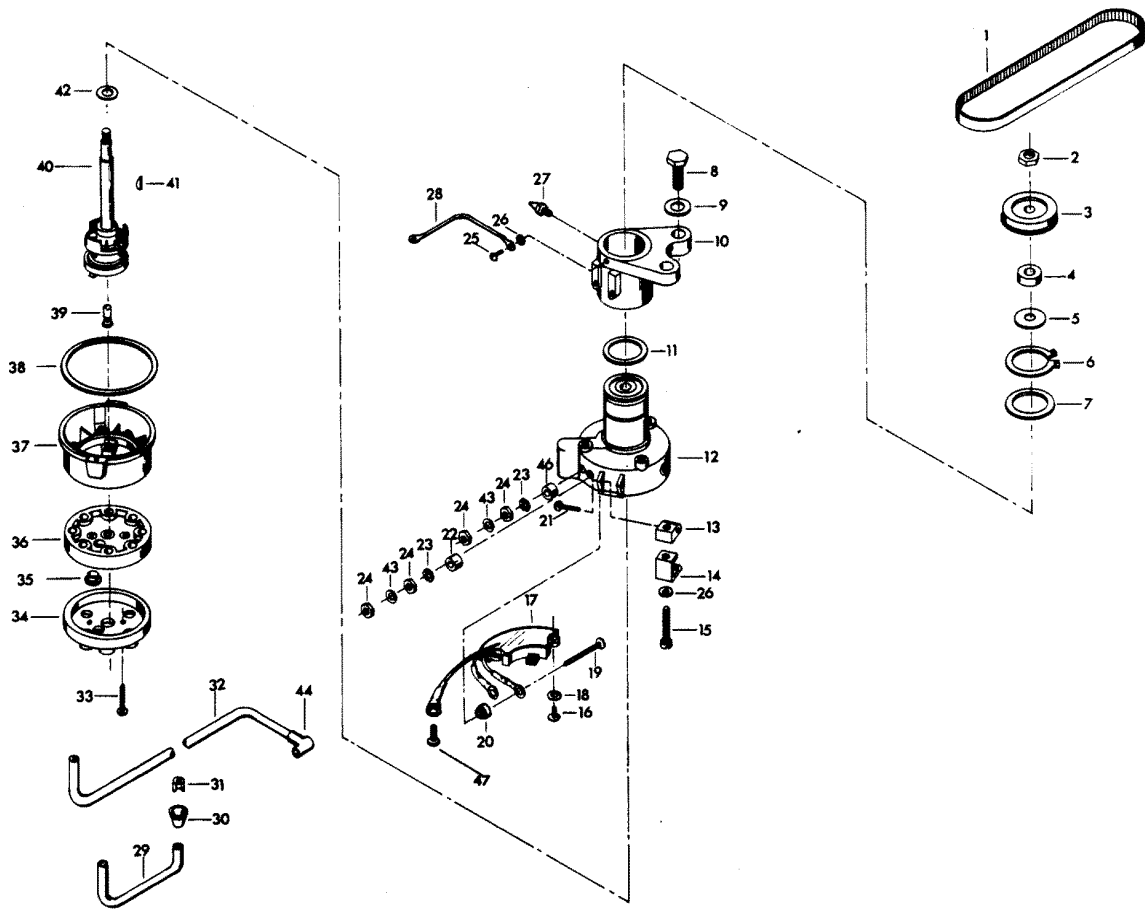
STARTER



STARTER

REF. NO.	PART NO.	SYM.	QTY.	DESCRIPTION
1	F15118		1	BENDIX DRIVE ASSEMBLY
2	F1641		2	LOCK NUT
3	F15167		1	HEAD ASSEMBLY, DRIVE END
4	F15126		1	THRUST WASHER PACKAGE
5	F15099		1	ARMATURE
6	F15166		1	FRAME AND FIELD ASSEMBLY
7	F15054		1	BRUSH AND TERMINAL SET
8	FA15072		1	HEX LOCK NUT, 1/4 - 20 W/WASHER
9	F85908		1	STARTER LEAD WIRE
10	F15168		1	THRU BOLT PACKAGE
11	F1922		1	HEX CAP SCREW, 1/4 - 20 X 5/8
12	F8028		2	PLAIN WASHER
13	F511675		1	STARTER BRACKET, LOWER
14	F15125		1	HEAD ASSEMBLY, COMMUTATOR END
15	F15034		1	SPRING SET
16	F15057		1	BRUSH PLATE AND HOLDER ASSEMBLY
-	F490955		1	STARTER COMPLETE
-	FC500390		1	DECAL, STARTER - CANADA (NOT SHOWN)

DISTRIBUTOR

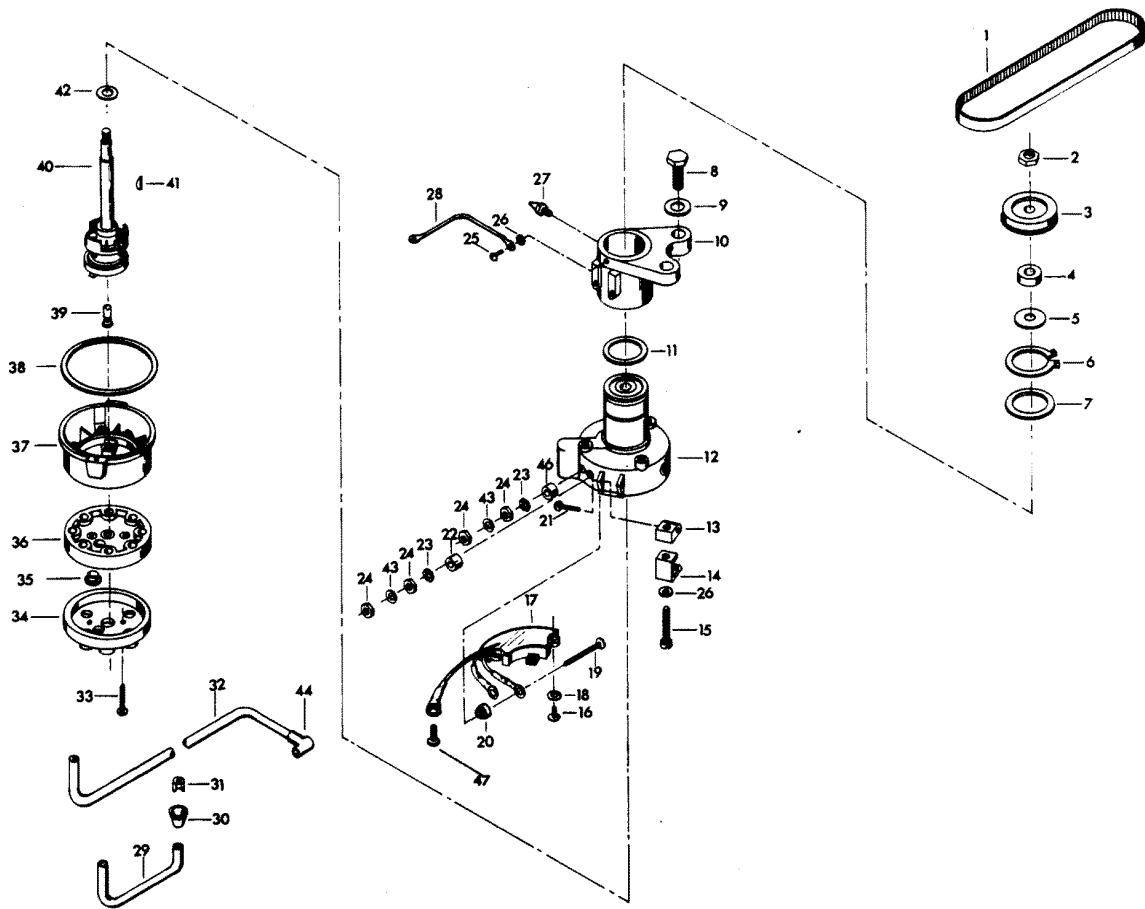


DISTRIBUTOR

REF. NO.	PART NO.	SYM.	QTY.	DESCRIPTION
1	F85311		1	DISTRIBUTOR BELT
2	F7013		1	STOP NUT
3	817786A1		1	DISTRIBUTOR PULLEY W/ILLUS. 2 AND LITERATURE ORIGINAL FORCE P/N A 373435-1
4	F14025		1	SPACER
5	F14028		1	THRUST WASHER
6	F85173		1	RETAINING RING
7	F14029		1	THRUST WASHER
8	F1612		2	HEX CAP SCREW, 3/8 - 16 X 1-1/4
9	F1778		2	PLAIN WASHER
10	FA321574		1	DISTRIBUTOR BRACKET W/ILLUS. 25, 26 AND 27
11	F1759		2	SHIM, DISTRIBUTOR (QTY. AS REQUIRED)
12	F14042		1	DISTRIBUTOR HOUSING W/BEARINGS
13	F14036		2	SWIVEL
14	F14037		2	CAP CLIPS
15	F14038		2	CAP CLIP SCREWS
16	F14045		2	SCREW
17	FA14048-2		1	PREAMPLIFIER W/ILLUS. 18, SCREW AND LITERATURE
18	F8056		2	LOCKWASHER
19	F14046		2	TERMINAL SCREW
20	F14047		2	TERMINAL INSULATOR (INSIDE)
21	F14015		2	CAP CLIP RIVET
22	F14049		1	TERMINAL INSULATOR (OUTSIDE)
23	F14041		2	EXTERNAL TOOTH LOCKWASHER
24	F1647		4	HEX NUT, 8 - 32
25	F1760		2	PAN HD SCREW, 10 - 24 X 3/8
26	F1975		2	SPRING LOCKWASHER
27	F213274		1	GREASE FITTING
28	F85664		1	DISTRIBUTOR GROUND
29	84-817775A1		1	COIL WIRE W/ILLUS. 30 AND 31 - USA ORIGINAL FORCE P/N A 321905-1
-	F438905		1	COIL WIRE - CANADA
30	F203276		1	BOOT
31	F203673		1	TERMINAL CLIP
32	F321841-3		4	LEAD WIRE - USA
-	F438841-1		4	LEAD WIRE - CANADA
33	F14007		2	CAP SCREW
34	F14010-1		1	CAP COVER
35	F14040		2	VENT
36	F14021-1		1	CAP SEAL
37	F14005-2		1	CAP BASE
38	F14030		1	CAP GASKET
39	F14012-1		1	BRUSH
40	F14044		1	DISTRIBUTOR SHAFT

CONTINUED ON NEXT PAGE ➡

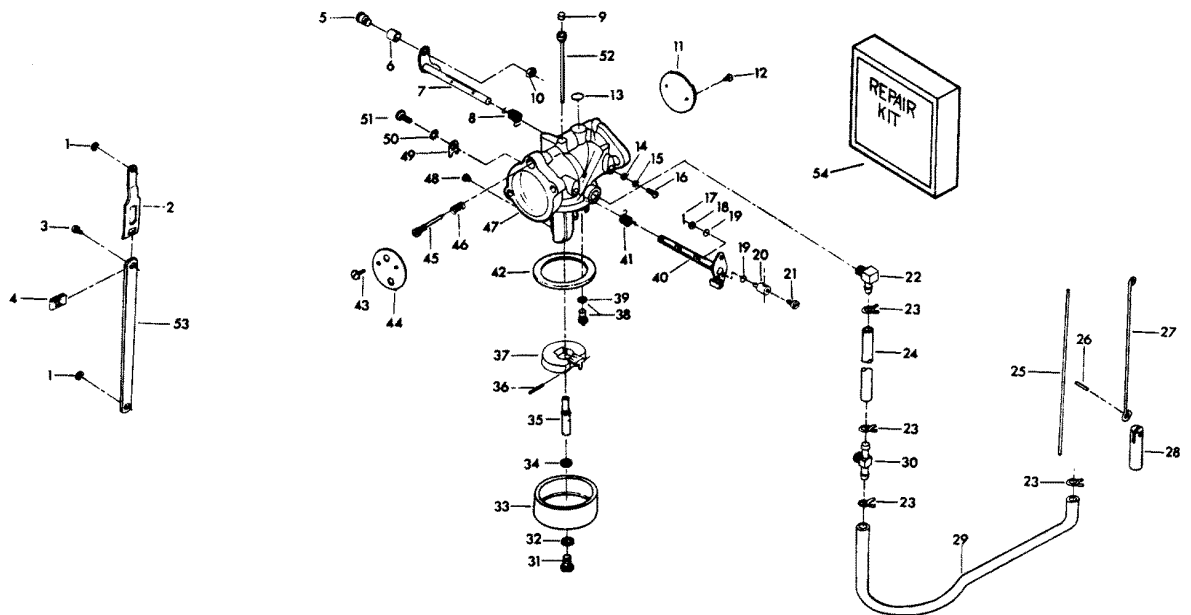
DISTRIBUTOR



DISTRIBUTOR

REF. NO.	PART NO.	SYM.	QTY.	DESCRIPTION
41	F1692		1	WOODRUFF KEY
42	F14024		1	SPACER
43	F8056		2	LOCKWASHER
44	FK750-2		4	SPARKIE
45	F85991-1		3	GROMMET
46	F14017		1	TERMINAL INSULATOR (OUTSIDE)
47	F14056		1	SCREW
-	817828A1		1	DISTRIBUTOR (NOT SHOWN)

CARBURETOR

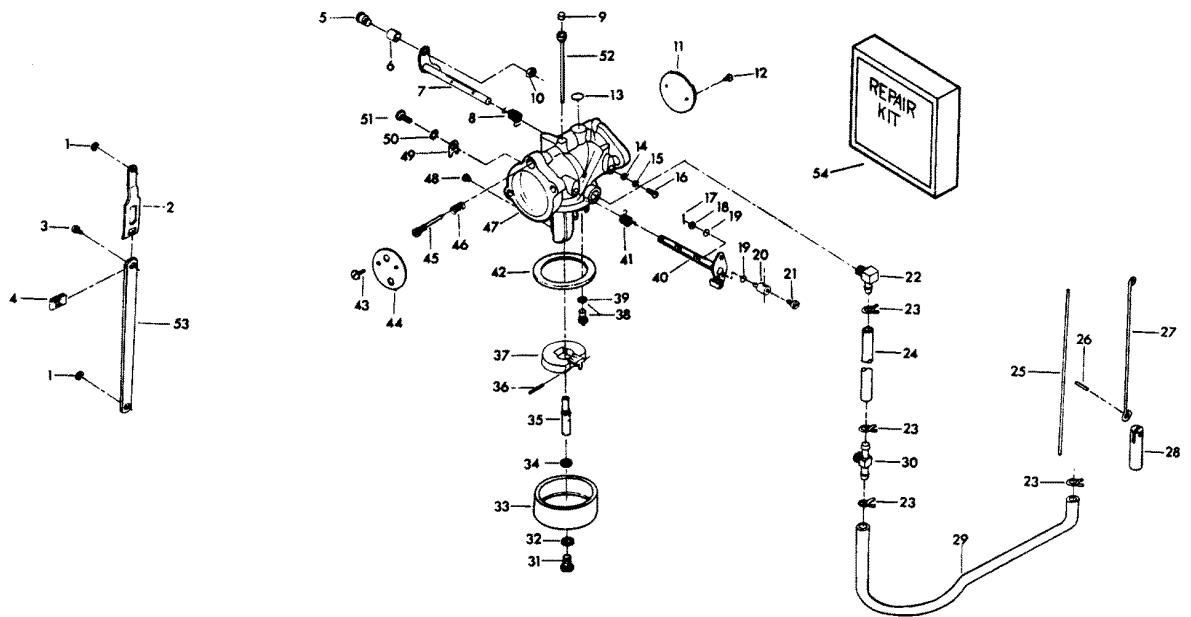


CARBURETOR

REF. NO.	PART NO.	SYM.	QTY.	DESCRIPTION
1	F90807		2	RETAINING RING
2	FA85193		1	TIE BAR END W/SWIVEL
3	F1064		1	FILL HD SCREW, 8 - 32 X 3/8
4	F1693		1	TIE BAR RETAINER
5	F333316		1	THROTTLE ROLLER SHAFT
6	F92759		1	THROTTLE ROLLER
7	FO15231		1	THROTTLE SHAFT AND LEVER
8	FO16008		1	THROTTLE SHAFT RETURN SPRING
9	FO10588		1	BODY CHANNEL CUP PLUG
10	F1997		1	STOP NUT, 8 - 32
11	FO13942		1	THROTTLE SHUTTER
12	FO8942		2	THROTTLE SHUTTER RETAINING SCREW AND LOCKWASHER
13	FO4326		1	BODY CHANNEL WELCH PLUG
14	FO3804		1	RETAINING SCREW WASHER
15	FO6396		1	RETAINING SCREW LOCKWASHER
16	FO6393		1	RETAINING SCREW
17	F1014		2	COTTER PIN
18	F8088		3	PLAIN WASHER
19	F184579		5	O-RING SEAL
20	F184033-1		1	SWIVEL, TOP CARBURETOR
21	F1059		2	FILL HD SCREW, 6 - 32 X 1/4
22	F84314-2		1	ELBOW
23	F97772		4	CLAMP
24	F178754-1		1	FUEL LINE
25	F85509-1		1	LINK, CHOKE
26	F2033		1	GROOVE PIN
27	F372925		1	CHOKE ROD
28	F391926-1		1	PLUNGER
29	F438754		1	FUEL LINE
30	F85314-1		1	FUEL FITTING
31	FO13945		1	FUEL BOWL RETAINING SCREW
32	FO2510		2	FUEL BOWL RETAINING SCREW GASKET
33	FO13552		1	FUEL BOWL
35	FO15217		1	MAIN NOZZLE
36	FO13944		1	FLOAT LEVER PIN
37	FO13554		1	FLOAT
38	FO10790		1	INLET NEEDLE, SEAT AND GASKET
39	FO10165		1	INLET SEAT GASKET
40	FO17241		1	CHOKE SHAFT AND LEVER
41	FO13947		1	CHOKE SHAFT RETURN SPRING
42	FO15623		1	FUEL BOWL GASKET
43	FO8942		2	CHOKE SHUTTER RETAINING SCREW AND LOCKWASHER
44	FO13555		1	CHOKE SHUTTER

CONTINUED ON NEXT PAGE ➡

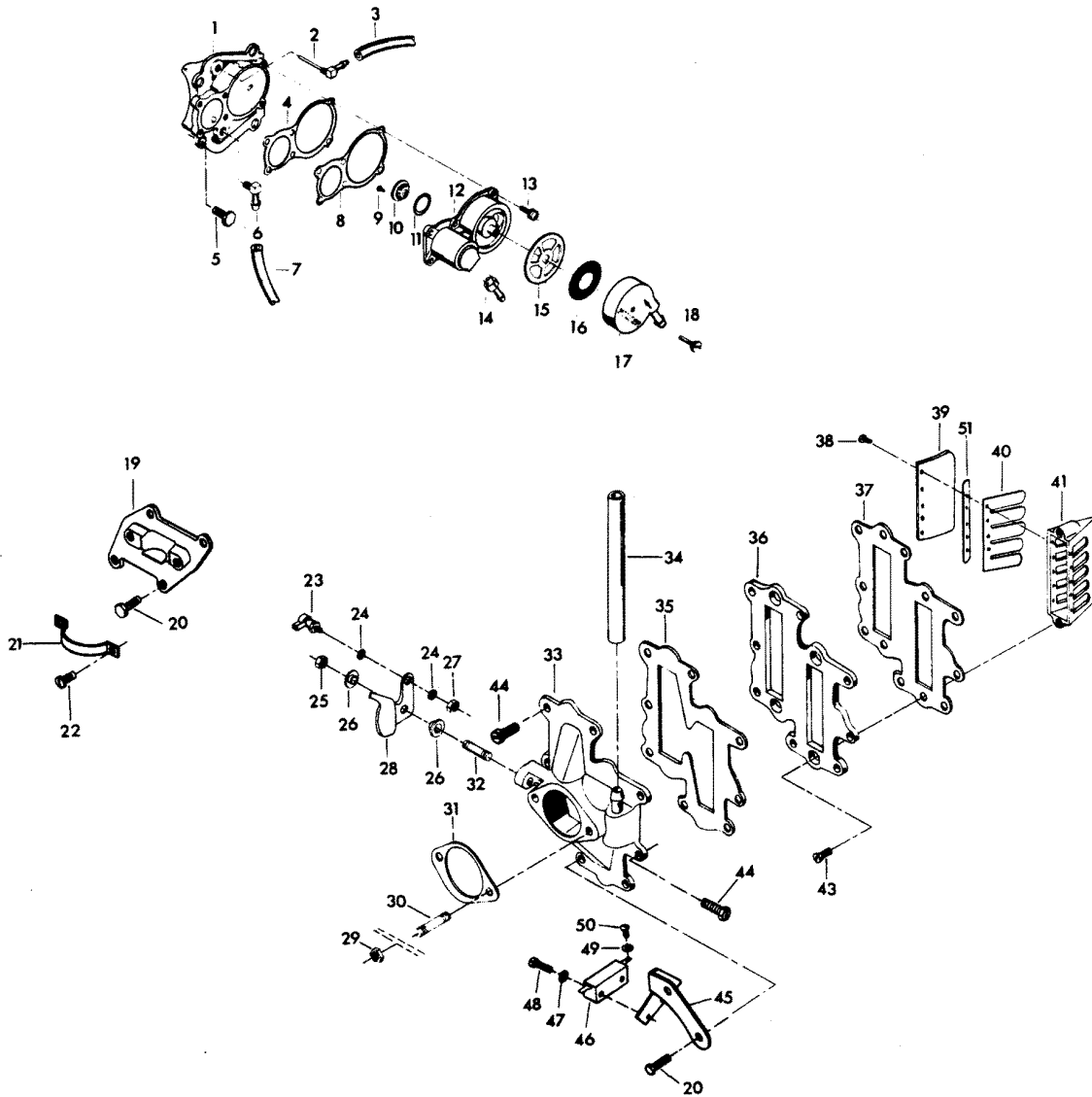
CARBURETOR



CARBURETOR

REF. NO.	PART NO.	SYM.	QTY.	DESCRIPTION
45	FO13946		1	IDLE MIXTURE SCREW
46	FO11103		1	IDLE MIXTURE SCREW SPRING
47	F500061-1		2	CARBURETOR COMPLETE (WB24B)
48	FO13194		1	MAIN FUEL JET. STD..080 SEA LEVEL - 1500 FT.
-	FO14306		-	MAIN FUEL JET. OPT..0785 1500 FT. - 3000 FT.
-	FO13191		-	MAIN FUEL JET. OPT..076 3000 FT. - 4500 FT.
-	FO14303		-	MAIN FUEL JET. OPT..074 4500 FT. - 6000 FT.
-	FO15026		-	MAIN FUEL JET. OPT..072 6000 FT. & UP.
49	FO9678		1	CLIP, CHOKE SHAFT
50	FO992		1	LOCKWASHER
51	FO1974		1	SCREW
52	FO17181		1	IDLE TUBE
53	FA178233		1	THROTTLE TIE BAR W/SWIVEL
-	F85033		1	SWIVEL, CHOKE ROD (BOTTOM CARBURETOR) (NOT SHOWN)
-	F10000		1	GASKET SET (NOT SHOWN) INCLUDES ALL ITEMS MARKED WITH A DOUBLE ASTERISK (**)
54	F10005		1	REPAIR PARTS KIT. INCLUDES ALL ITEMS MARKED WITH AN ASTERISK (*).

FUEL PUMP AND REED PLATE

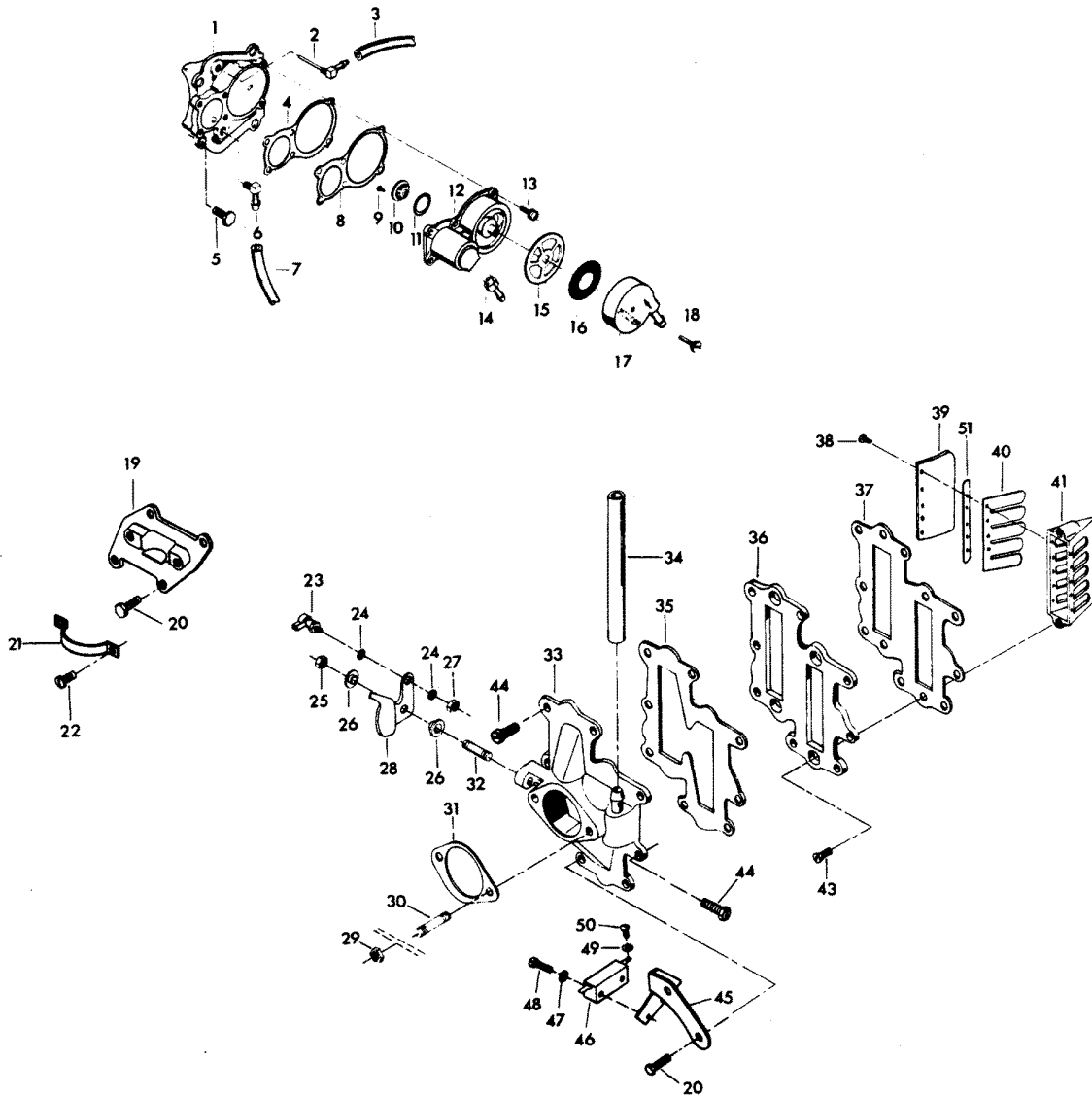


FUEL PUMP AND REED PLATE

REF. NO.	PART NO.	SYM.	QTY.	DESCRIPTION
1	FA439746		1	FUEL PUMP COVER W/LITERATURE
2	F404314		1	ELBOW, FUEL PUMP COVER
3	F441754-1		1	HOSE
4	F438760		1	FUEL PUMP GASKET
5	F1922		4	HEX CAP SCREW, 1/4 - 20 X 5/8
6	F84314-2		1	ELBOW
7	F89758		1	FUEL PUMP AIR HOSE - TOP
8	F438747		1	FUEL PUMP DIAPHRAGM
9	F1860		2	RD HD SCREW, 6 - 32 X 1/4
10	F177330		3	FUEL PUMP VALVE
11	F84792		1	GASKET, CENTER FUEL PUMP VALVE
12	FA438431		1	FUEL PUMP BODY W/ILLUS. 9, 10 AND 11
13	F1108		6	FILL HD SCREW, 1/4 - 20 X 3/4
14	F438801		1	FITTING
15	F438617		1	FUEL SEDIMENT BOWL GASKET
16	F438653		1	FUEL SEDIMENT BOWL SCREEN
17	F438500		1	FUEL SEDIMENT BOWL
18	F438165		1	SCREW, FUEL PUMP BOWL
19	F372958		1	CHOKE BRACKET
20	F1532		6	HEX HD SCREW, 1/4 - 20 X 1
21	F85317-1		1	SOLENOID CLAMP
22	F1236		2	SCREW, 1/4 - 20 X 1/2
23	817747--1		1	BALL JOINT W/STUD
24	F8058		2	INTERNAL TOOTH LOCKWASHER
25	F1910		1	STOP NUT, 1/4 - 20
26	F269319		2	THROTTLE CAM BEARING
27	F1513		1	HEX NUT, 10 - 32
28	F85192-1		1	THROTTLE CAM
29	F1515		4	HEX NUT, 5/16 - 18
30	F40209		4	CARBURETOR STUD
31	F85906		2	CARBURETOR GASKET
32	F433209-1		1	THROTTLE CAM STUD
33	FA178167		1	CARBURETOR ADAPTER, LOWER W/FITTING AND ILLUS. 30
-	FA178157		1	CARBURETOR ADAPTER, UPPER W/FITTING AND ILLUS. 30 (NOT SHOWN)
34	32-77653-77		1	BALANCE TUBE W/LITERATURE ORIGINAL FORCE P/N A 178254-1
35	F178168-1		2	GASKET, CARBURETOR ADAPTER
36	F178404-1		2	DEFLECTOR PLATE
37	F406406		2	GASKET DEFLECTOR PLATE
38	F1755		40	ROUND HD SCREW W/LOCKWASHER, 6 - 32 X 1/4
39	F85161-1		8	REED STOP
40	F530160		8	REED (5 PETAL)
41	F3A523158		4	REED PLATE W/ILLUS. 38, 39, 40, 44 AND 51

CONTINUED ON NEXT PAGE ➡

FUEL PUMP AND REED PLATE



FUEL PUMP AND REED PLATE

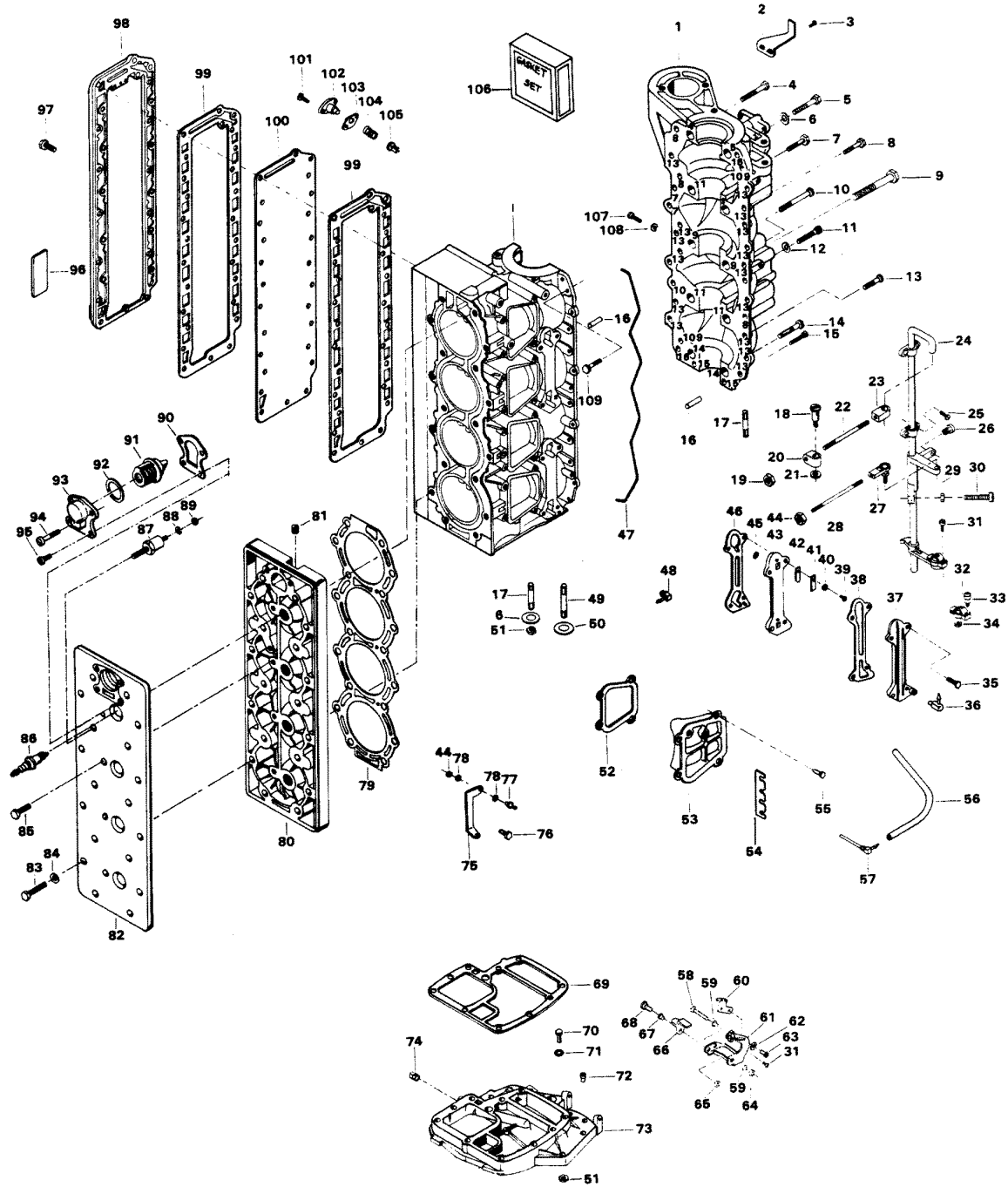
REF. NO.	PART NO.	SYM.	QTY.	DESCRIPTION
43	F1831		8	FLAT HD SCREW, 1/4 - 20 X 5/8
44	F2008		10	HEX HD SCREW, 1/4 - 20 X 7/8
45	F489551		1	BRACKET NEUTRAL INTERLOCK SWITCH
46	F84449		1	INTERLOCK SWITCH
47	F8088		2	PLAIN WASHER
48	F2016		2	FILL HD SCREW, 6 - 32 X 7/8
49	F1704		2	INTERNAL TOOTH LOCKWASHER
50	F1645		2	RD HD SCREW, 6 - 32 X 1/4
51	F523451		8	SPACER, REED STOP

POWER HEAD

REF. NO.	PART NO.	SYM.	QTY.	DESCRIPTION
1	A523010-1		1	CYLINDER W/CRANKCASE COVER, ILLUS. 4, 5, 9, 11, 14, 15, 17, 47, 49 AND LITERATURE ORIGINAL FORCE P/N A 523010-2
-	FC552010		1	SHORT BLOCK. INCLUDES ALL ITEMS MARKED WITH AN ASTERISK (*). ALSO REFER TO CRANKSHAFT PAGE.
2	FA480894		1	TIMING POINTER W/ILLUS. 56 ON PAGE 4 AND LITERATURE
3	F1760		2	PAN HD SCREW, 10 - 24 X 3/8
4	F1874		1	HEX HD SCREW, 3/8 - 16 X 3 1/8
5	F1009		1	HEX HD SCREW, 3/8 - 16 X 2 3/4
6	F8095		6	PLAIN WASHER
7	F2008		2	HEX HD SCREW, 1/4 - 20 X 7/8
8	F2008		3	HEX HD SCREW, 1/4 - 20 X 7/8
9	F1873		2	HEX CAP SCREW, 3/8 - 16 X 3
10	F1699		1	HEX HD SCREW, 1/4 - 20 X 1-1/8
11	F1253		4	HEX SOCKET HD CAP SCREW, 3/8 - 16 X 2
12	F8104		4	PLAIN WASHER
13	F1864		16	HEX HD SCREW, 1/4 - 20 X 3/4
14	F1872		2	HEX CAP SCREW, 3/8 - 16 X 1-3/4
15	F1099		2	FILL HD SCREW, 1/4 - 20 X 1 -1/4
16	F8563		2	DOWEL PIN
17	F85859		4	STUD
18	F85026		1	SWIVEL
19	F2015		1	HEX NUT, 1/4 - 28
20	F85035		1	DISTRIBUTOR, CONTROL ROD END
21	F2042		1	PLAIN WASHER
22	F85445		1	CONTROL ROD
23	F85036		1	TOWERSHAFT CONTROL ROD END
24	817932A6		1	TOWERSHAFT W/ILLUS. 20, 21, 22, 23, 25 AND BEARINGS ORIGINAL FORCE P/N A 178838-6
25	F1475		4	FILL HD SCREW, 10 - 24 X 1/2
26	F1727		1	PLASTIC RIVET
27	817747--1		1	BALL JOINT W/STUD
28	F85502		1	THROTTLE LINK
29	F1341		1	HEX NUT, 1/4 - 20
30	F1052		1	FILL HD SCREW, 1/4 - 20 X 1
31	F1556		2	FILL HD SCREW W/LOCKWASHER, 10 - 24 X 3/8
32	FK405020		2	SWIVEL W/ILLUS. 7 AND 10
33	F405457		1	PIVOT SCREW
34	F7008		1	ELASTIC STOP NUT
35	F1532		8	HEX HD SCREW, 1/4 - 20 X 1
36	22-818103--1		1	ELBOW, CYLINDER DRAIN LOWER
-	F404801		1	ELBOW, CYLINDER DRAIN UPPER (NOT SHOWN)
37	F406471-1		2	CYLINDER DRAIN COVER
38	F84472-5		2	GASKET, CYLINDER DRAIN COVER

CONTINUED ON NEXT PAGE ➡

POWER HEAD

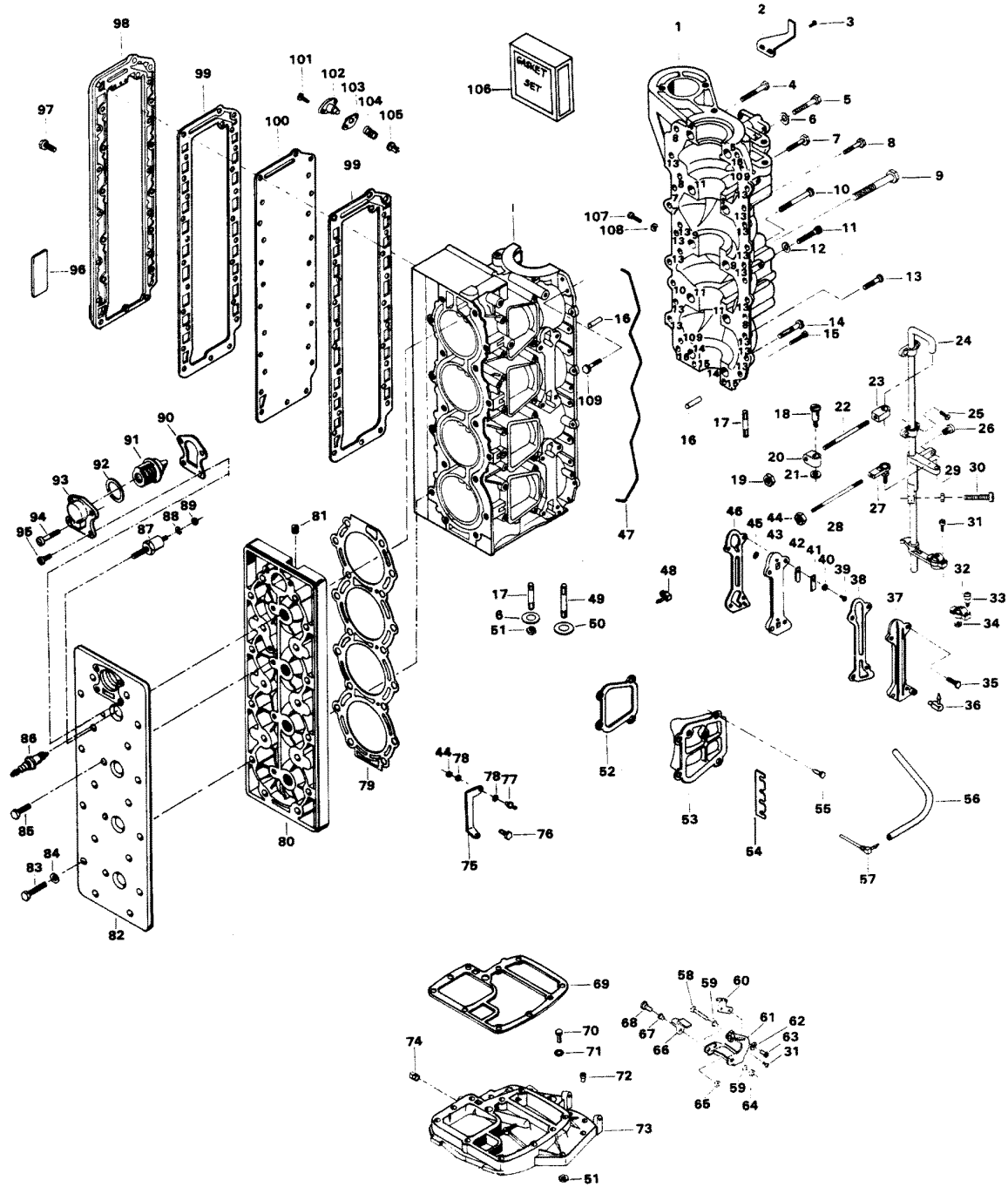


POWER HEAD

REF. NO.	PART NO.	SYM.	QTY.	DESCRIPTION
39	F1286		4	PAN HD SCREW, 4 - 40 X 3/16
40	F8003		4	PLAIN WASHER
41	F93920		4	REED STOP
42	F18160-2		4	CYLINDER DRAIN REED
43	F2A406757		2	CYLINDER DRAIN REED PLATE W/ILLUS. 39, 40, 41, 42 AND 45
44	F1513		4	HEX NUT, 10 - 32
45	F93811		4	SCREEN
46	F84748-3		2	GASKET
47	F184122-1		1	SEAL, PARTING LINE
48	F84314-2		1	ELBOW
49	F85211		6	STUD
50	F8038		4	PLAIN WASHER
51	F7004		10	STOP NUT, 3/8 - 16
52	F40223		4	GASKET, TRANSFER PORT COVER
53	FA411222		3	TRANSFER PORT COVER W/ILLUS. 81
54	F523834		1	CLIP, SPARK PLUG WIRE
55	F1922		10	HEX CAP SCREW, 1/4 - 20 X 5/8
56	F406754-1		1	HOSE
57	F404314		1	FITTING
58	F1885		1	HEX BOLTS, S.S., 5/16 - 18 X 4-1/4
59	F85610		2	BEARING
60	F480107-1		1	CAM STARTER INTERLOCK
61	FA480876		1	GEAR SHIFT ARM W/ILLUS. 32, 59, 65, 66, 67 AND 68
62	F2042		2	PLAIN WASHER
63	F2089		2	SLOTTED PAN HD M. SCREW, 10 - 24 X 5/16
64	F2108		1	STOP NUT, 5/16 - 18
65	F1832		1	STOP NUT, 1/4 - 20
66	F369977-1		1	INTERLOCK ARM
67	F369610		1	BEARING
68	F369887		1	SHOULDER SCREW
69	F85279-2		1	GASKET, CYLINDER EXHAUST UPPER
70	F1869		6	HEX CAP SCREW, 3/8 - 16 X 1-1/4
71	F1703		6	LOCKWASHER
72	F40689-1		1	BEARING
73	817788A3		1	BEARING PLATE W/PLUG
74	F2090		1	PLUG
75	FS85872-1		1	BRACKET W/ILLUS. 54
76	F1864		2	HEX CAP SCREW, 1/4 - 20 X 3/4
77	F98273		2	ROD END CONNECTOR STUD
78	F8058		4	INTERNAL TOOTH LOCKWASHER
79	F476529-1		1	CYLINDER HEAD GASKET
80	900-817832A2		1	CYLINDER HEAD W/ILLUS. 81 AND LITERATURE ORIGINAL FORCE P/N A 501518-1

CONTINUED ON NEXT PAGE ➡

POWER HEAD



POWER HEAD

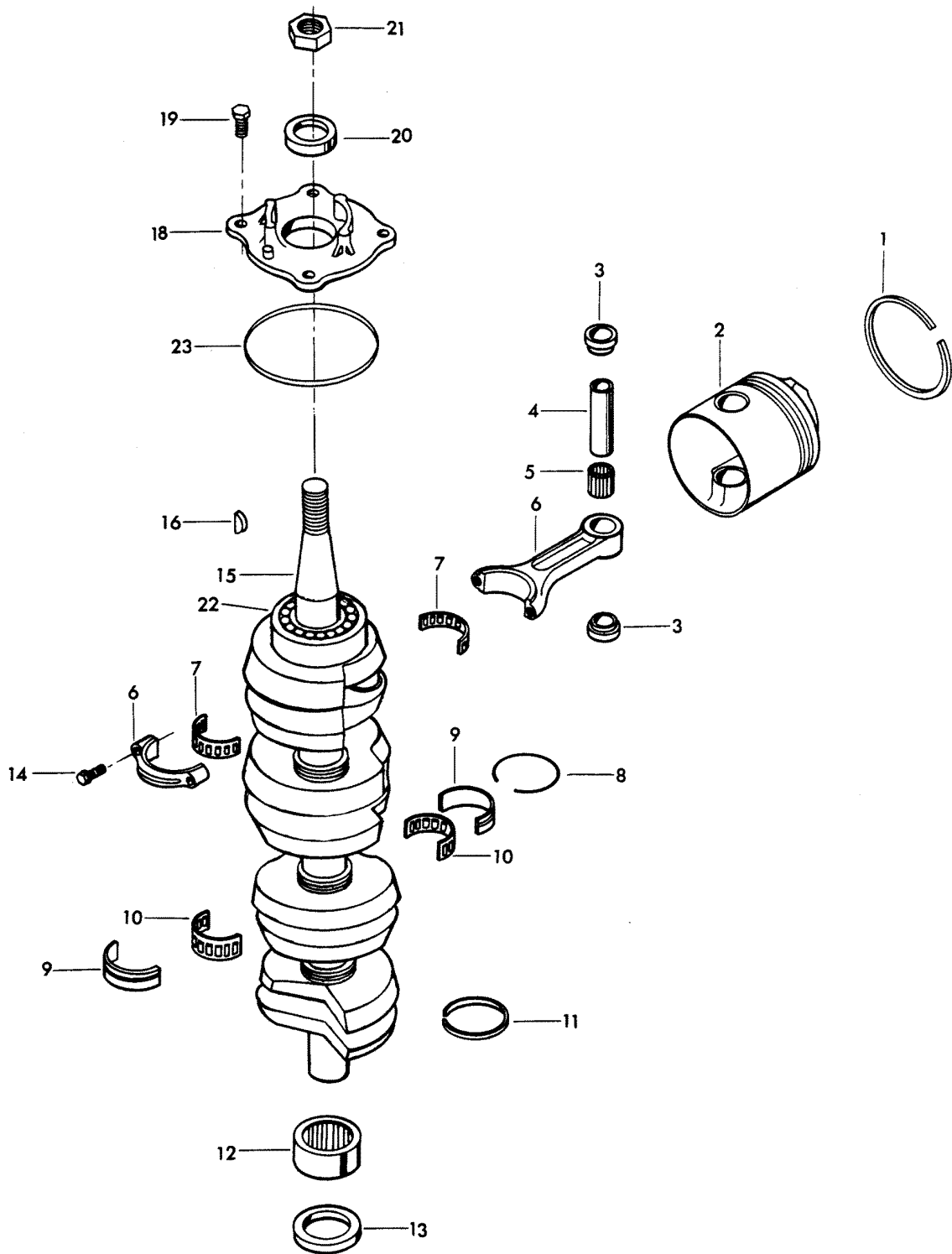
REF. NO.	PART NO.	SYM.	QTY.	DESCRIPTION
81	F19109		1	PLUG
82	F528995		1	COVER, CYLINDER HEAD
83	F2049		18	HEX CAP SCREW, 5/16 - 18 X 2-5/8
84	F1987		18	PLAIN WASHER
85	F2008		4	HEX CAP SCREW, 1/4 - 20 X 7/8
86	33-97180		4	SPARK PLUG (CHAMPION L20V) - USA
-	C523227		4	SPARK PLUG (CHAMPION QL-76V) - CANADA
87	87-817778A1		1	THERMOSWITCH W/ILLUS. 88 AND 89 ORIGINAL FORCE P/N A 335449-1
88	F8056		1	LOCKWASHER
89	F1647		1	HEX NUT, 8 - 32
90	F476067		1	GASKET
91	F528068		1	THERMOSTAT
92	F84504		1	GROMMET (THERMOSTAT)
93	F476066-1		1	THERMOSTAT COVER
94	F1099		2	FILL HD SCREW, 1/4 - 20 X 1-1/4
95	F1107		2	SLOTTED FILL HD CAP SCREW, 1/4 - 20 X 3/4
96	F438398-1		1	DECAL, WIRING - USA
-	FC438398		1	DECAL WIRING - CANADA
97	F1916		27	HEX BOLT, 1/4 - 20 X 1-1/8
98	F372152-1		1	EXHAUST PORT COVER
99	F372154-1		2	GASKET, EXHAUST PORT PLATE
100	F372151-1		1	EXHAUST PORT PLATE
101	F1950		2	HEX CAP SCREW, 10 - 24 X 5/8
102	F438066		1	BY-PASS VALVE COVER
103	F85762		1	BY-PASS VALVE COVER GASKET
104	F404268		1	BY-PASS VALVE SPRING
105	F85916-1		1	BY-PASS VALVE
106	FG1019		1	GASKET SET INCLUDE ITEMS BELOW
-	F40223		4	GASKET, TRANSFER PORT COVER
-	F84472-5		2	GASKET, CYLINDER DRAIN COVER
-	F84748-3		2	GASKET, CYLINDER DRAIN REED PLATE
-	F85279-2		1	GASKET, CYLINDER EXHAUST, UPPER
-	F85762		1	GASKET, BY-PASS VALVE
-	F85906		2	GASKET, CARBURETOR
-	F178168-1		2	GASKET, CARBURETOR ADAPTER
-	F184122-1		1	PARTING LINE SEAL
-	F372154-1		2	GASKET, EXHAUST PORT PLATE
-	F406406		2	GASKET, DEFLECTOR PLATE
-	F476067		1	GASKET, THERMOSTAT COVER
-	F476529-1		1	GASKET, CYLINDER HEAD
-	F440906		2	GASKET, CARBURETOR
107	F2000		1	HEX CAP SCREW, 5/16 - 18 X 3/4

CONTINUED ON NEXT PAGE ➡

POWER HEAD

REF. NO.	PART NO.	SYM.	QTY.	DESCRIPTION
108	F8096		1	SPRING LOCKWASHER
109	F1532		2	HEX HD SCREW, 1/4 - 20 X 1

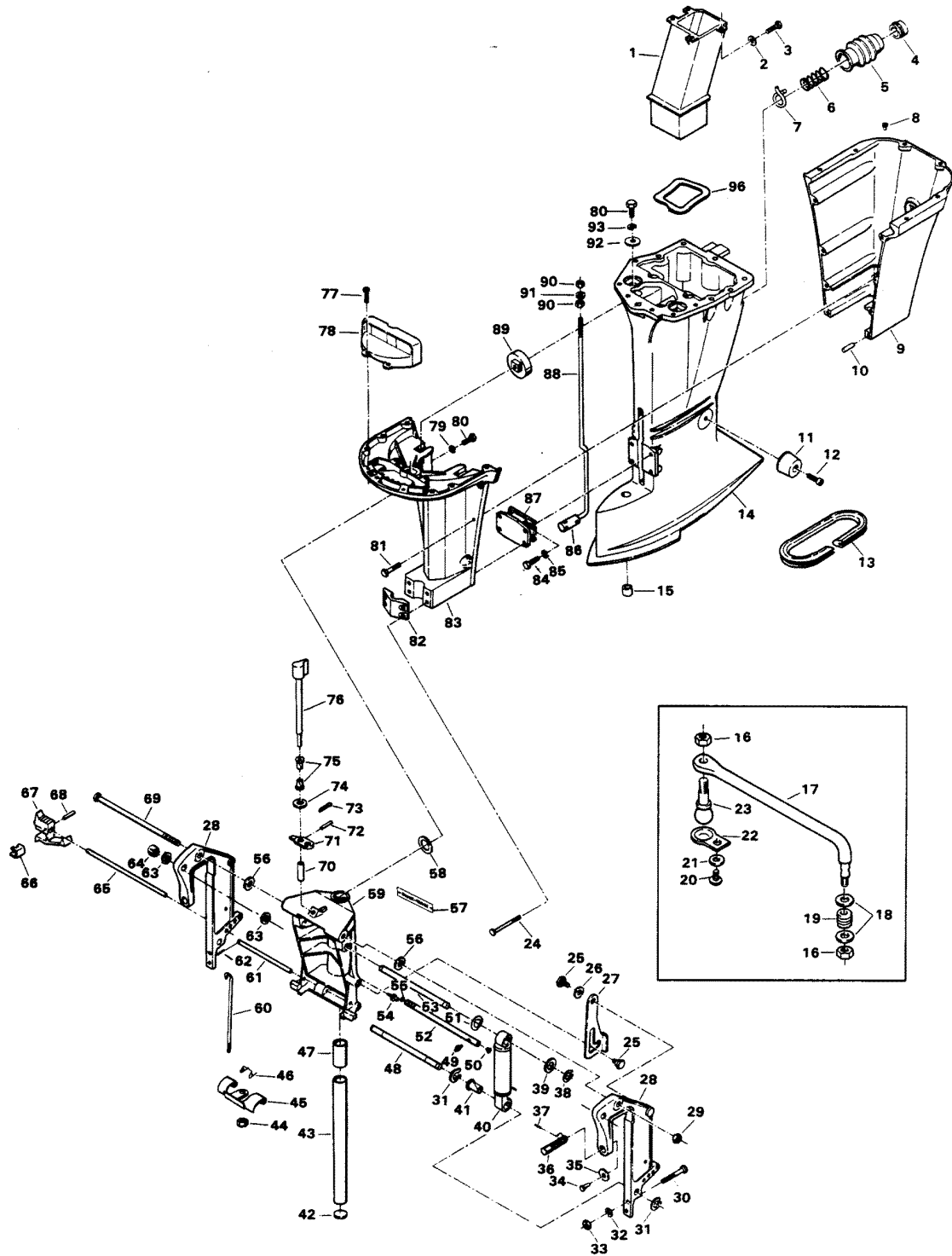
CRANKSHAFT AND PISTON GROUP



CRANKSHAFT AND PISTON GROUP

REF. NO.	PART NO.	SYM.	QTY.	DESCRIPTION
1	FA335260		4	PISTON RING SET (3 PER SET)
-	FSA335260		4	PISTON RING (3 PER SET) .010 OVERSIZE (NOT SHOWN)
-	39-818110A1		4	PISTON RING (3 PER SET) .030 OVERSIZE (NOT SHOWN)
2	700-F372015-3		4	PISTON
-	700-817988A2		4	PISTON .010 OVERSIZE (NOT SHOWN)
-	700-818111A2		4	PISTON .030 OVERSIZE (NOT SHOWN)
3	F335215		8	SPACER, PISTON PIN (2 PER PISTON)
4	F85017		4	PISTON PIN
5	F335217-1		4	BEARING, PISTON PIN (26 PER SET)
6	600-818052A4		4	CONNECTING ROD W/CAP AND ILLUS. 14 ORIGINAL FORCE P/N S 366016-4
7	FK85228-1		4	BEARING CAGE W/ROLLER
8	F85410		3	SNAP RING
9	FA85655-1		3	CRANKSHAFT MAIN BEARING RACE W/ILLUS. 8
10	F85571		3	BEARING CAGE W/ROLLER
11	F316579		3	SEAL, CRANKCASE
12	FA523014		1	CRANKSHAFT LOWER MAIN BEARING W/ITEM 13
13	F523146		1	SEAL, CRANKSHAFT LOWER
14	F85634-2		8	CONNECTING ROD SCREW
15	400-817735A4		1	CRANKSHAFT W/ILLUS. 22 ORIGINAL FORCE P/N A 178018-4
16	F85498		1	FLYWHEEL KEY
18	31-817785A2		1	CRANKSHAFT BEARING CAGE W/ILLUS. 20 ORIGINAL FORCE P/N A 373144-2
19	F1867		4	HEX CAP SCREW, 3/8 - 16 X 1
20	F84146-2		1	SEAL
21	F1968		1	FLYWHEEL NUT
22	F284659-2		1	BEARING, CRANKSHAFT UPPER MAIN
23	F84278		1	SEAL
-	F2067		1	PLASTISOL CAP (NOT SHOWN) FOR EXPOSED THREADS OF CRANKSHAFT

MOTOR LEG

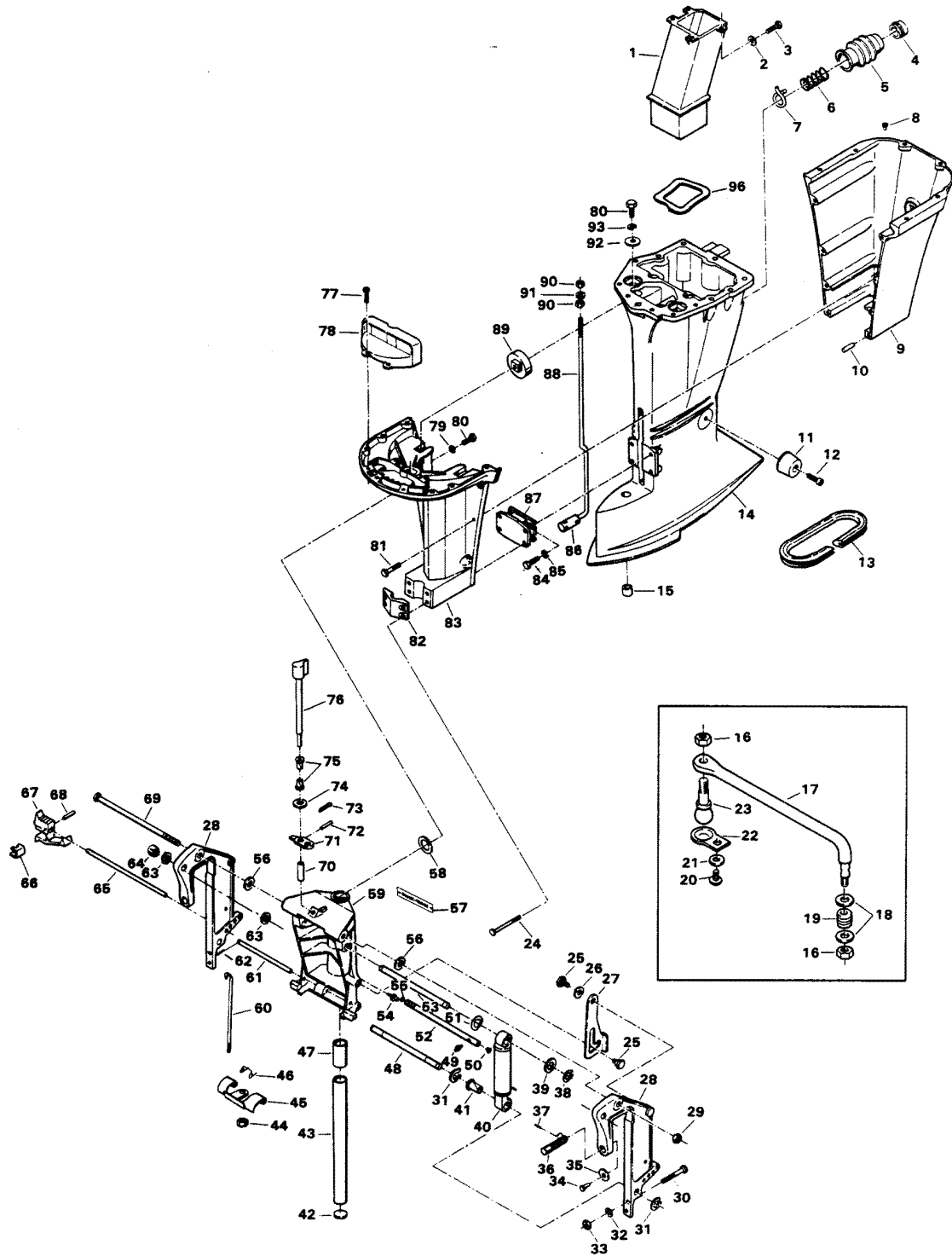


MOTOR LEG

REF. NO.	PART NO.	SYM.	QTY.	DESCRIPTION
1	F85660-1		1	EXHAUST TUBE
2	F8083		4	SPRING LOCKWASHER
3	F1705		4	HEX SLOT HD SCREW, 1/4 - 20 X 3/4
4	F85258		1	INSERT
5	F85130		1	BOOT IDLE EXHAUST
6	F85380		1	SPRING
7	F85772		1	CLAMP
8	F1729		2	PLUG
9	817931A7		1	MOTOR LEG COVER, REAR WILLUS 8 AND 13 ORIGINAL FORCE P/N A178145-3
10	F1664		2	SPRING PIN
11	F438962		2	SHOCK MOUNT LOWER REAR
12	F1263		2	HEX SOCKET HD CAP SCREW, 5/16 - 18 X 9/16
13	F178323		1	SEAL, MOTOR LEG
14	F523133-2		1	MOTOR LEG
15	F338618-1		1	SEAL, GEAR SHIFT ROD
16	F2093		2	STOP NUT
17	F523881-2		1	LINK STEERING
18	F8038		2	PLAIN WASHER
19	F523300-1		1	SPRING
20	F1280		1	PAN HD SCREW
21	F8080		1	HELICAL SPRING LOCKWASHER
22	F523930		1	RETAINER STUD
23	F523273		1	STUD STEERING BALL
24	F1696		4	HEX BOLT, 5/16 - 18 X 1-3/4
25	F85350-1		2	TILT STOP PIVOT
26	F1666		1	SPRING BOWED WASHER
27	F85541-1		1	TILT LOCK
28	1400-817958A6		2	STERN BRACKET
29	F7012		1	STOP NUT
30	F1593		2	HEX HD SCREW, 3/8 - 16 X 3
31	F178173		4	RETAINING RING
32	F1904		2	PLAIN WASHER
33	F1346		2	HEX NUT
34	F353480		2	STUD
35	F84074		2	CLAMP SCREW FOOT
36	F474073-1		2	CLAMP SCREW
37	F8538		2	SPRING PIN
38	F178208		2	RETAINING RING
39	F1710		2	PLAIN WASHER
40	FA178962		2	SHOCK ABSORBER W/BUSHING
41	F178362		2	BEARING
42	F1528		1	WELCH PLUG

CONTINUED ON NEXT PAGE ➡

MOTOR LEG

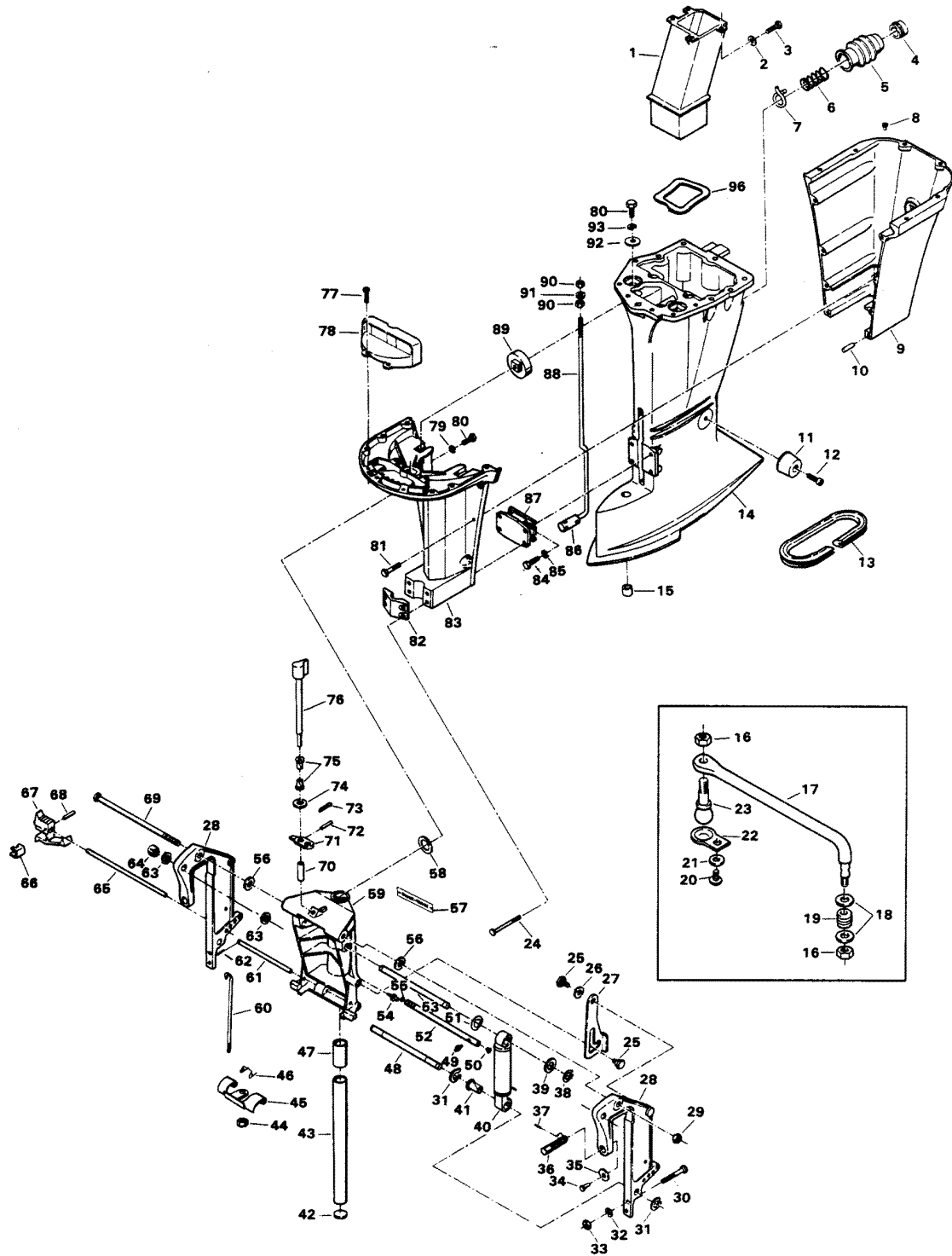


MOTOR LEG

REF. NO.	PART NO.	SYM.	QTY.	DESCRIPTION
43	FA85019		1	KINGPIN W/ILLUS. 42
44	F1669		1	LOCK NUT
45	F369349		0	REVERSE LOCK
46	F85300		1	REVERSE LOCK SPRING
47	F438169		2	BEARING
48	F178632		1	SHAFT, SHOCK MOUNT LOWER
49	F523274		1	GREASE FITTING
50	F9052		1	PLUG
51	F1711		2	SPRING BOWED WASHER
52	F511125-2		1	TUBE, STEERING SUPPORT
53	F178889		1	SHAFT, SHOCK MOUNT UPPER
54	F213274		3	GREASE FITTING
55	F316599		1	SEAL, STEERING SUPPORT TUBE
56	F84286-1		4	FRICTION WASHER
57	F529390		1	DECAL, REVERSE LOCK - USA
-	FC529390		1	DECAL, REVERSE LOCK - CANADA (NOT SHOWN)
58	F84011		1	WASHER
59	817783A5		1	SWIVEL BRACKET W/ILLUS. 47 AND 54 ORIGINAL FORCE P/N A 369072-1
60	F369510		0	LINK REVERSE LOCK
61	F177350		1	REVERSE LOCK PIN
62	F1744		1	SPRING PIN
63	F523280		1	NUT, STEERING SUPPORT TUBE
64	F9018		1	CAP
65	FA438113		1	STERN BRACKET LOCK BAR W/ILLUS. 66, 67 AND 68
66	F286461		1	SPRING, LOCK BAR HANDLE
67	F433114		1	HANDLE, LOCK BAR
68	F1744		1	SPRING PIN
69	F85037-1		1	STERN BRACKET PIVOT BOLT
70	F483884		1	BEARING
71	F369364		1	REVERSE LOCK ARM
72	F1836		1	SPRING PIN
73	F1014		1	COTTER PIN
74	F8094		1	PLAIN WASHER
75	F197813		2	BEARING
76	F369827		1	HANDLE AND SHAFT
77	F1912		4	HEX HD SCREW, 10 - 24 X 1/2
78	F85779-1		1	BAFFLE, AIR INTAKE
79	F1703		2	SPRING LOCKWASHER
80	F1871		4	HEX HD SCREW, 3/8 - 16 X 3/4
81	F2030		6	HEX HD M. SCREW, 1/4 - 20 X 1-1/4
82	F85606		1	KINGPIN CAP
83	A3		1	LEG COVER FRONT W/ILLUS. 81

CONTINUED ON NEXT PAGE ➡

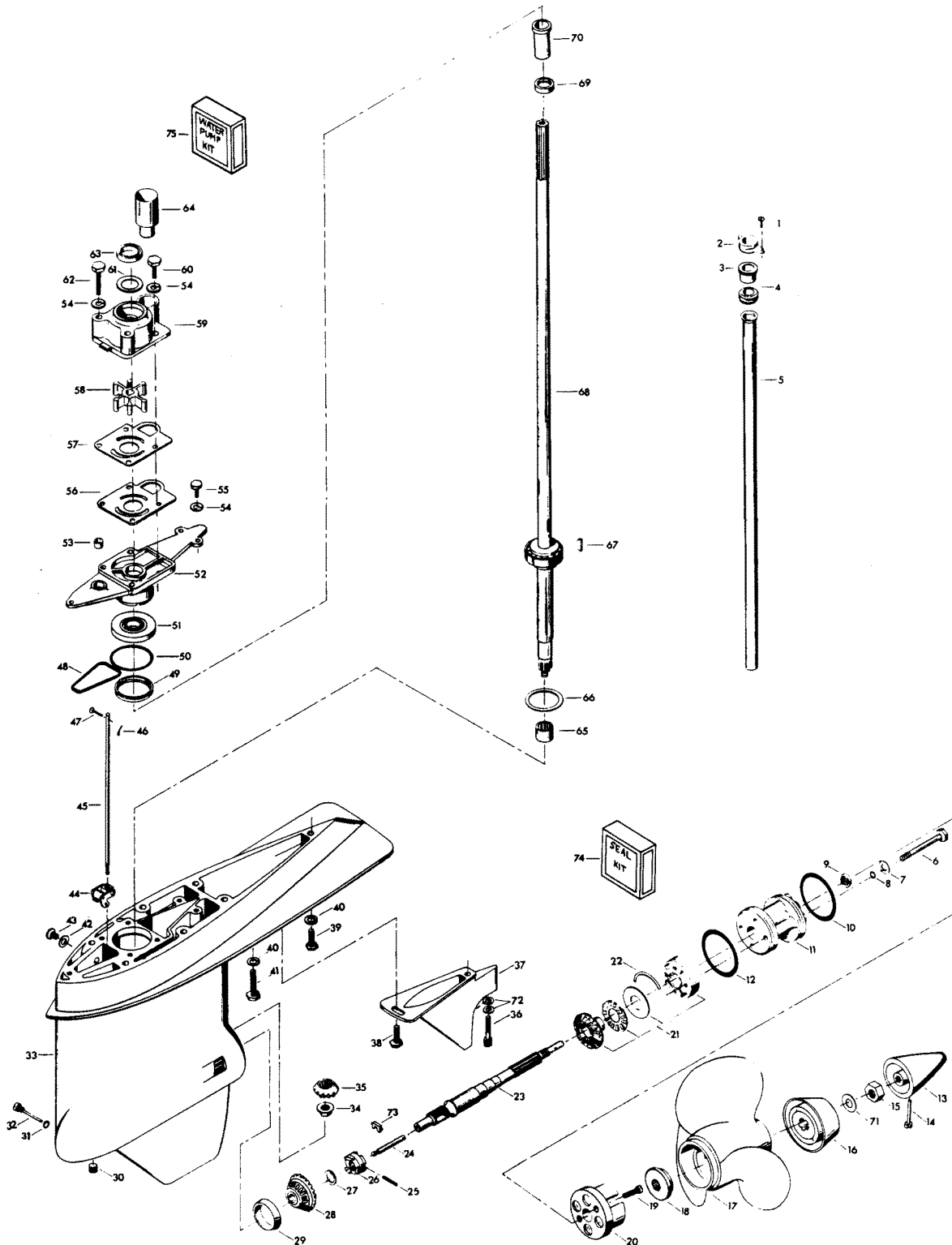
MOTOR LEG



MOTOR LEG

REF. NO.	PART NO.	SYM.	QTY.	DESCRIPTION
84	F1822		4	HEX BOLT, 5/16 - 18 X 7/8
85	F8096		4	SPRING LOCKWASHER
86	F85704		1	COUPLER, GEAR SHIFT ROD
87	F438346		1	SHOCK MOUNT LOWER
88	F85615		1	GEAR SHIFT ROD UPPER
89	F85965		2	SHOCK MOUNT UPPER
90	F2108		2	LOCK NUT
91	F1987		1	PLAIN WASHER
92	FA85355-1		2	WASHER WILLUS. 93
93	F2014		2	PLAIN WASHER
94	F439736		1	SEAL, EXHAUST TUBE

GEAR HOUSING

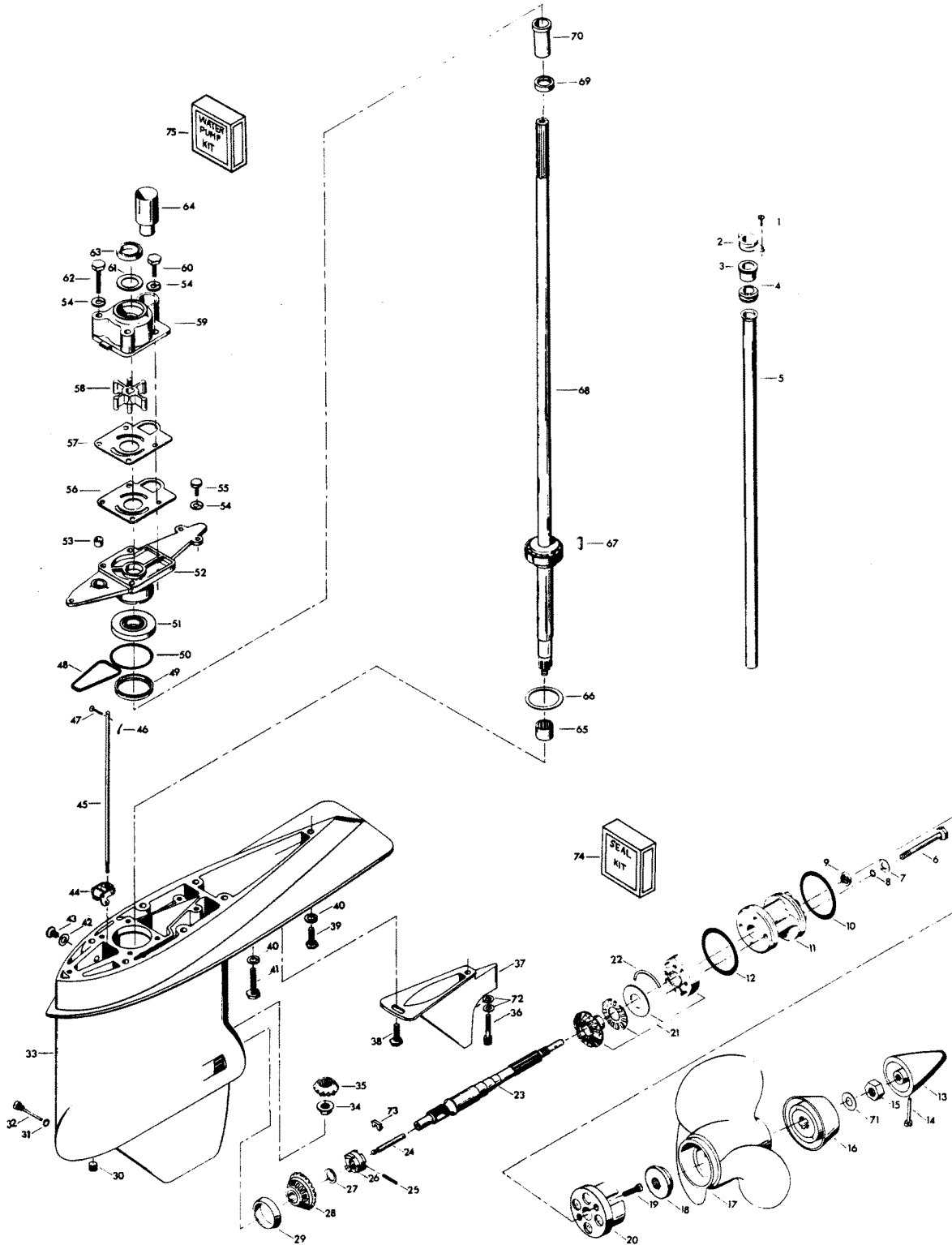


GEAR HOUSING

REF. NO.	PART NO.	SYM.	QTY.	DESCRIPTION
1	F1705		2	HEX CAP SCREW, 1/4 - 20 X 3/4
2	F85117		1	BRACKET, WATER LINE
3	F84342		1	SEAL, INLET WATER LINE, UPPER
4	F523899		1	GROMMET, WATER LINE
5	F523244		1	INLET WATER LINE
6	F1885		4	HEX CAP SCREW, 5/16 - 18 X 4-1/4
7	F1907		4	PLAIN WASHER
8	F50342-1		4	SEAL, O-RING
9	F506118		1	SEAL, PROPELLER SHAFT
10	F24278		1	SEAL, O-RING PROPELLER SHAFT SPOOL
11	F2A523239		0	SPOOL, PROPELLER SHAFT BEARING W/ILLUS. 9
12	F84305		1	SEAL, O-RING PROPELLER SHAFT SPOOL
13	F523094-2		0	PROPELLER NUT
14	F498891		1	PIN, PROPELLER NUT RETAINING
15	F1788		1	STOP NUT
16	F532299		1	WASHER
17	FPS524		1	PROPELLER (ACCESSORY ITEM)
18	F523099-1		1	SPACER, PROPELLER
19	F1577		2	FILL HD SCREW, 1/4 - 20 X 3/4
20	FA523485		1	ANTICORROSION ANODE W/LITERATURE
21	F2A523662		1	BEVEL GEAR REAR W/BEARING CAGER SPACER AND BEARING
22	F523411		2	RETAINING RING, BEARING CAGE
23	FA523098		0	PROPELLER SHAFT ASSEMBLY
24	F84871-1		1	PIN, GEAR SHIFT W/YOKE
25	F1713		1	SPRING PIN
26	F84521-1		1	CLUTCH
27	F1936		A/R	SPACER, BEVEL GEAR FRONT .059
-	F1937		A/R	SPACER, BEVEL GEAR FRONT .062
-	F1938		A/R	SPACER, BEVEL GEAR FRONT .065
-	F1939		A/R	SPACER, BEVEL GEAR FRONT .068
-	F1940		A/R	SPACER, BEVEL GEAR FRONT .071
-	F1941		A/R	SPACER, BEVEL GEAR FRONT .074
-	F1942		A/R	SPACER, BEVEL GEAR FRONT .077
-	F2113		A/R	SPACER, BEVEL GEAR FRONT .080
-	F2114		A/R	SPACER, BEVEL GEAR FRONT .083
-	F2115		A/R	SPACER, BEVEL GEAR FRONT .086
-	F2116		A/R	SPACER, BEVEL GEAR FRONT .089
-	F2121		A/R	SPACER, BEVEL GEAR FRONT .057
-	F2122		A/R	SPACER, BEVEL GEAR FRONT .054
28	F2A523023		1	BEVEL GEAR FRONT W/BEARING AND SHIMS
29	F523813		1	BEARING CUP
30	F19109		1	PLUG

CONTINUED ON NEXT PAGE ➡

GEAR HOUSING

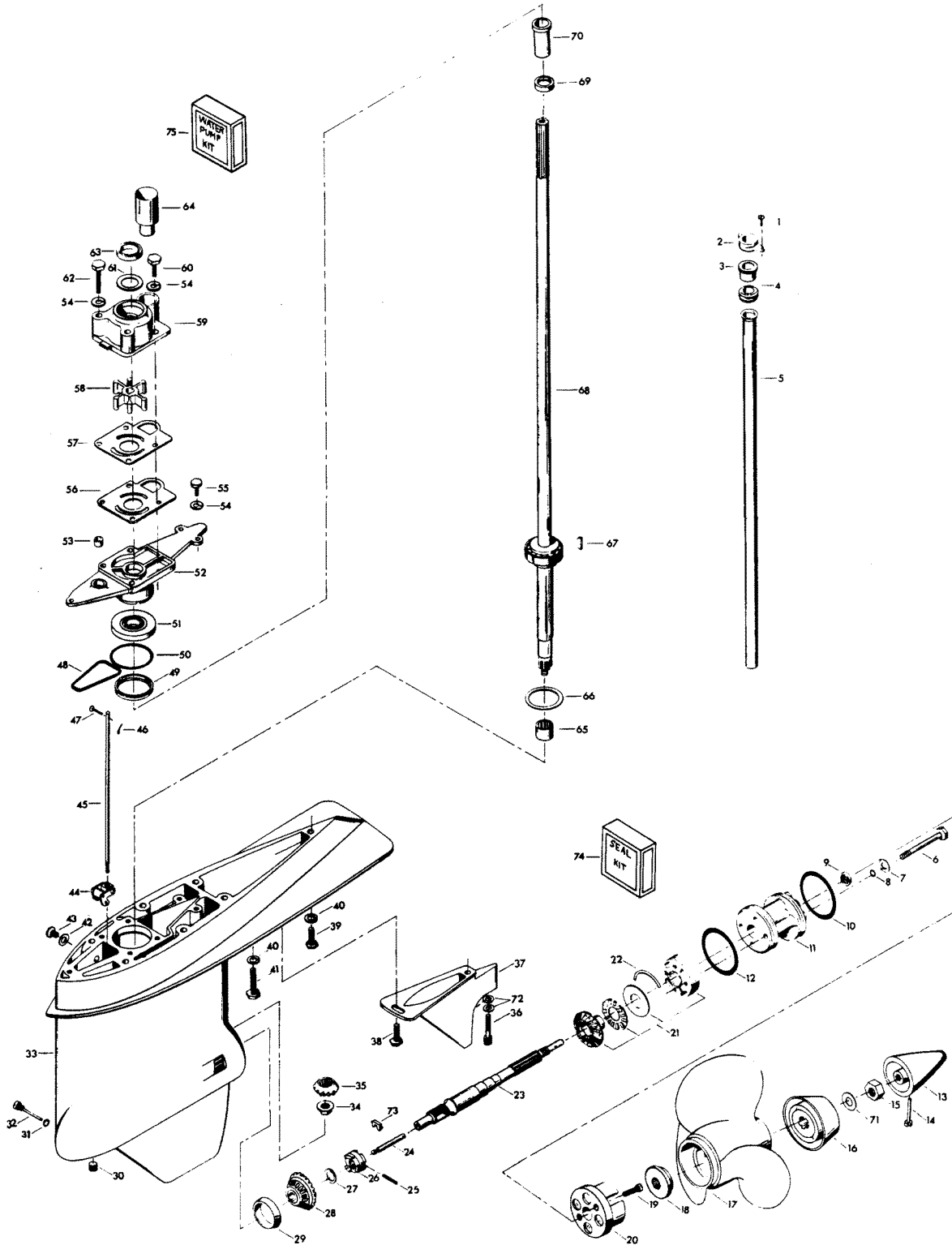


GEAR HOUSING

REF. NO.	PART NO.	SYM.	QTY.	DESCRIPTION
30	F498618		1	SEAL
32	F498891		1	PIN, GEAR SHIFT ARM
33	FA523054		1	GEAR HOUSING W/BEARING CUP, DRIVESHAFT BEARING LOWER ILLUS. 30, 42 AND 43
-	FC555054		1	GEAR HOUSING COMPLETE (INCLUDES ALL ITEMS MARKED WITH AN ASTERISK (*).
34	F523188		1	NUT, BEVEL PINION
35	43-817854A2		1	BEVEL PINION GEAR W/ILLUS. 49 AND 66 ORIGINAL FORCE P/N A 523266-1
36	F1994		1	HEX SOCKET HD CAP SCREW, 5/16 - 18 X 1
37	F523116		1	EXHAUST SNOUT
38	F438930		1	RETAINER, SNOUT
39	F1858		1	HEX CAP SCREW, 5/16 - 18 X 1
40	F8096		7	SPRING LOCKWASHER
41	F1491		6	HEX HD SCREW, 5/16 - 18 X 3/4
42	F8077		2	WASHER, GEAR HOUSING PLUG
43	F50109		2	PLUG, GEAR HOUSING
44	FA84621-1		1	COUPLING, GEAR SHIFT ARM W/BUSHING
45	F523705		1	GEAR SHIFT ROD LOWER
46	F1015		1	COTTER PIN
47	F85372		1	PIN, GEAR SHIFT ROD LOWER
48	F523555		1	SEAL, O-RING, GEAR HOUSING COVER
49	F523961		1	CRUSH RING
50	F74305		1	SEAL, DRIVESHAFT BEARING CAGE
51	F506118		1	SEAL, DRIVESHAFT
52	F2A550706		1	GEAR HOUSING COVER W/ILLUS. 51 AND 53
53	F338618-1		1	SEAL, GEAR SHIFT ROD
54	F8083		7	SPRING LOCKWASHER
55	F2008		3	HEX CAP SCREW, 1/4 - 20 X 7/8
56	F523031		1	GASKET, WATER PUMP
57	F523562		1	PLATE, WATER PUMP
58	F523065-1		1	IMPELLER, WATER PUMP
59	46-817853A1		1	WATER PUMP BODY W/ILLUS. 61, 63 AND 64 ORIGINAL FORCE P/N A 523060-1
60	F1990		2	HEX CAP SCREW, 1/4 - 20 X 1-5/8
61	F480388		1	DISC, WATER PUMP LOCATING
62	F1425		2	HEX CAP SCREW, 1/4 - 20 X 2-5/8
63	F351307		1	SEAL, DRIVESHAFT - WATER PUMP
64	FA523735		1	SEAL, INLET WATER LINE, LOWER W/LITERATURE
65	F523057		1	BEARING, DRIVESHAFT LOWER
66	F9106		A/R	SHIM, DRIVESHAFT BEARING, UPPER .003 BRASS
-	F9095		A/R	SHIM, DRIVESHAFT BEARING UPPER .005 SILVER
-	F9097		A/R	SHIM, DRIVESHAFT BEARING, UPPER .010 BLACK
67	F523498		1	DRIVE KEY, WATER PUMP

CONTINUED ON NEXT PAGE ➡

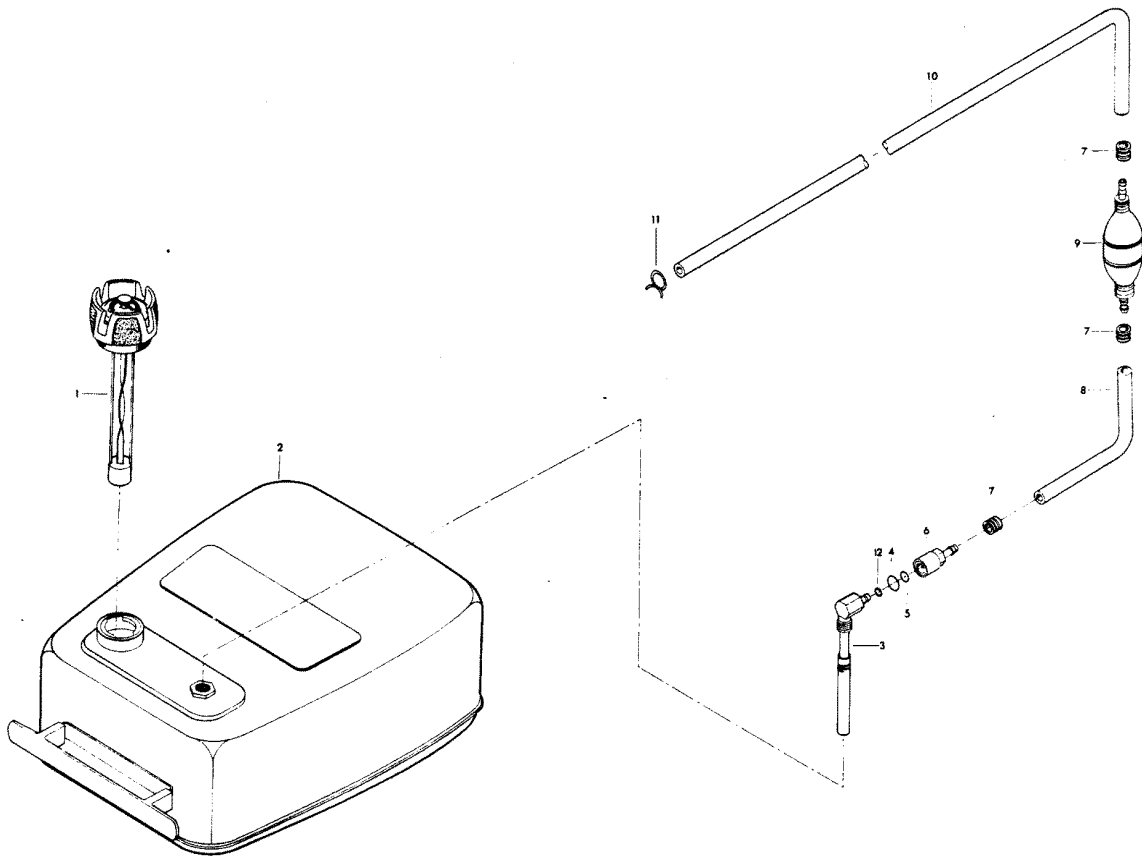
GEAR HOUSING



GEAR HOUSING

REF. NO.	PART NO.	SYM.	QTY.	DESCRIPTION
68	FK550128		1	DRIVESHAFT W/BEARING, ILLUS. 49 AND 66
69	F438271		1	RETAINER, CRANKSHAFT SPLINE SEAL
70	F438129		1	SEAL, DRIVESHAFT SPLINE
71	F1866		1	PLAIN WASHER
72	F1856		2	PLAIN WASHER
73	F90619-1		1	YOKE
74	FK1063-1		1	SEAL KIT (INCLUDES ITEMS BELOW)
-	F50342-1		4	SEAL, BEARING CAGE BOLT
-	F506118		1	SEAL, PROPELLER SHAFT
-	F24278		1	SEAL, PROPELLER SHAFT SPOOL
-	F84305		1	SEAL, PROPELLER SHAFT SPOOL
-	F498618		1	SEAL, GEARSHIFT ARM PIN
-	F8077		2	WASHER
-	F523555		1	SEAL, GEAR HOUSING COVER
-	F74305		1	SEAL, GEAR HOUSING COVER
-	F84307-1		1	SEAL, DRIVESHAFT
-	F338618-1		1	SEAL, GEAR SHIFT ROD
75	FK1069		1	WATER PUMP KIT
-	F1425		2	HEX CAP SC, 1/4 - 20 X 5/8
-	F1990		2	HEX CAP SCREW
-	F8083		4	SPRING LOCKWASHER
-	F523031		1	GASKET, WATER PUMP
-	F523065-1		1	IMPELLER
-	F523498		1	KEY
-	F523562		1	PLATE, WATER PUMP
-	46-817853A1		1	WATER PUMP

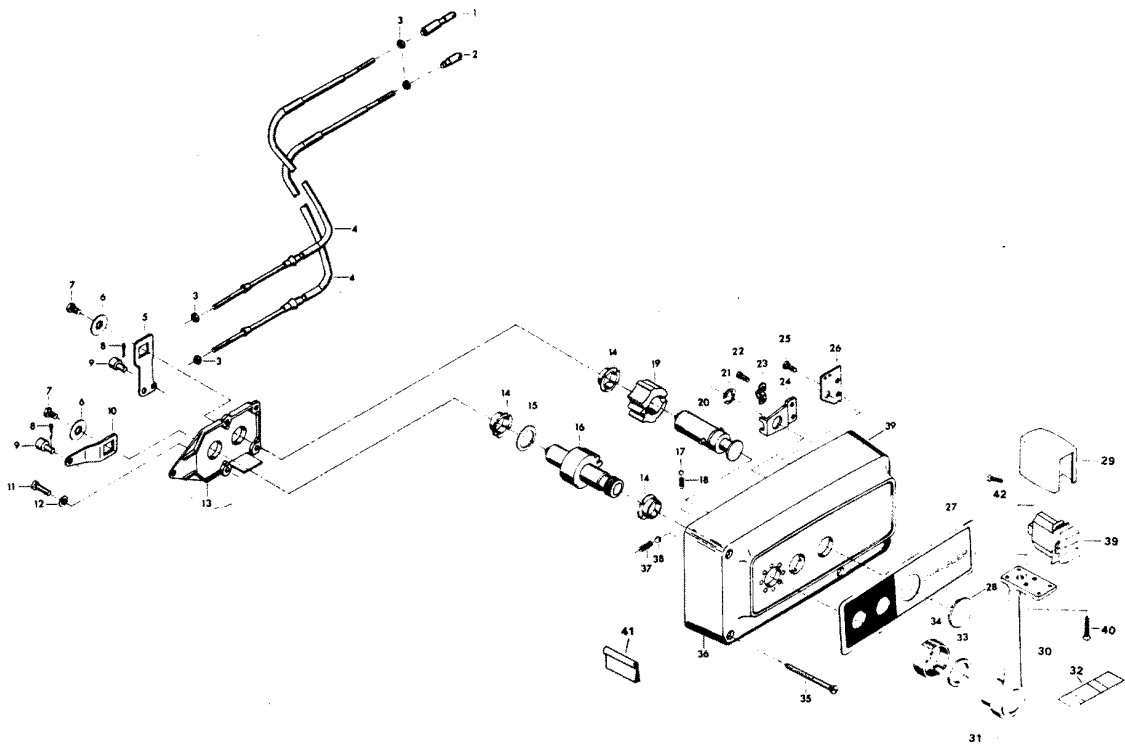
FUEL TANK AND LINE



FUEL TANK AND LINE

REF. NO.	PART NO.	SYM.	QTY.	DESCRIPTION
1	F409251-1		1	GAUGE CAP
2	F5H026		1	FUEL TANK (ACCESSORY ITEM)
3	F485755-1		1	FUEL TANK ADAPTER
4	F213342		1	SEAL, FUEL LINE COUPLER (LARGE)
5	F213735		1	SEAL, FUEL LINE COUPLER (SMALL)
6	F197787-3		1	FUEL LINE COUPLER
7	F298788		3	FERRULE
8	FA84754-1		1	FUEL LINE SHORT W/ILLUS. 7
9	89396A38		1	PRIME BULB
10	32-817738A1		1	FUEL LINE LONG W/ILLUS. 7 AND 11 ORIGINAL FORCE P/N A 197752-1
11	F97772		1	CLAMP, FUEL LINE
12	F17932		1	SEAL, FUEL LINE COUPLER
-	FS409752		1	FUEL LINE COMPLETE W/ILLUS. 4 THRU 12
-	FC409398		1	DECAL, TOTE TANK - CANADA (NOT SHOWN)

REMOTE CONTROL

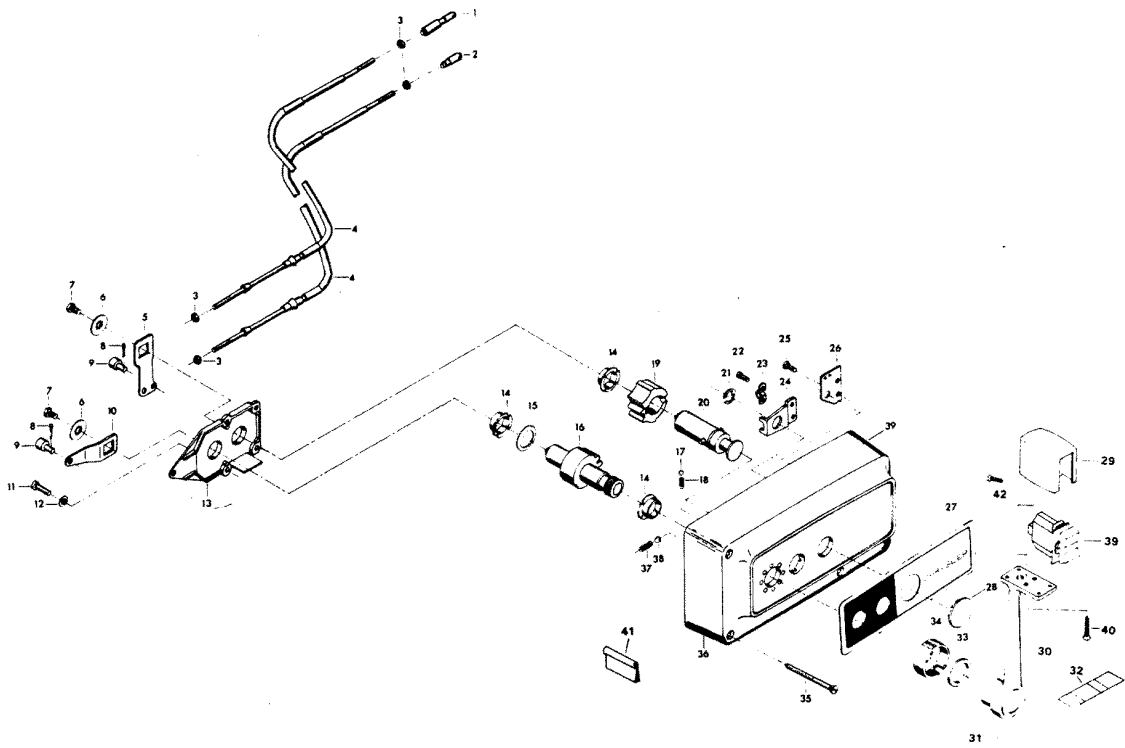


REMOTE CONTROL

REF. NO.	PART NO.	SYM.	QTY.	DESCRIPTION
1	FA58976-1		1	CONNECTOR, THROTTLE CABLE
2	F58685-2		1	CONNECTOR, SHIFT CABLE
3	F1513		4	HEX NUT
4	ÄF58356//		2	REMOTE CONTROL CABLE (SPECIFY LENGTH)
5	F17019		1	CLUTCH ARM
6	F17036		2	INTERNAL TOOTH LOCKWASHER
7	F1715		0	HEX BOLT, 14 X 28 X 9/16
8	F17149		2	COTTER PIN
9	F17016		2	CABLE TERMINAL
10	F17014		1	THROTTLE ARM
11	F17013		2	FILL HD SCREW, 1/4 - 20 X 1/2
12	F17147		2	INTERNAL TOOTH LOCKWASHER
13	F17012		1	RETAINING PLATE
14	F17009		3	BEARING
15	F17011		1	BOWED WASHER
16	F17010-1		1	THROTTLE GEAR
17	F17111		1	DETENT BALL
18	F17006		1	DETENT SPRING
19	F17021		1	CLUTCH GEAR
20	F17100		1	CLUTCH SHAFT
21	F17092		1	SNAP RING
22	F17071		2	FILL HD SCREW, 10 - 24 X 5/16
23	F154317		1	CABLE CLAMP
24	F17026		1	SWIVEL
25	F1557		2	FLAT HD SCREW, 10 - 24 X 3/8
26	F17112		1	JUNCTION BOARD, STARBOARD
-	F17113		1	JUNCTION BOARD, PORT
27	F17148		1	DECAL, STARBOARD
-	F531892		1	DECAL, PORT
28	F17031-1		1	SNAP CAP
29	F448543		1	KNOB
30	F448611-1		1	LEVER
31	F455690		1	SET SCREW
32	F449894		1	INDICATOR - STARBOARD
-	F448894		1	INDICATOR - PORT
33	F17105		1	FELT WASHER
34	F17106		1	COLLAR
35	F17146		3	WOOD SCREW
36	F17099		1	HOUSING
37	F17068		1	DETENT SPRING
38	F17082-1		1	DETENT BALL
39	F455449		1	SWITCH, TRIM

CONTINUED ON NEXT PAGE ➡

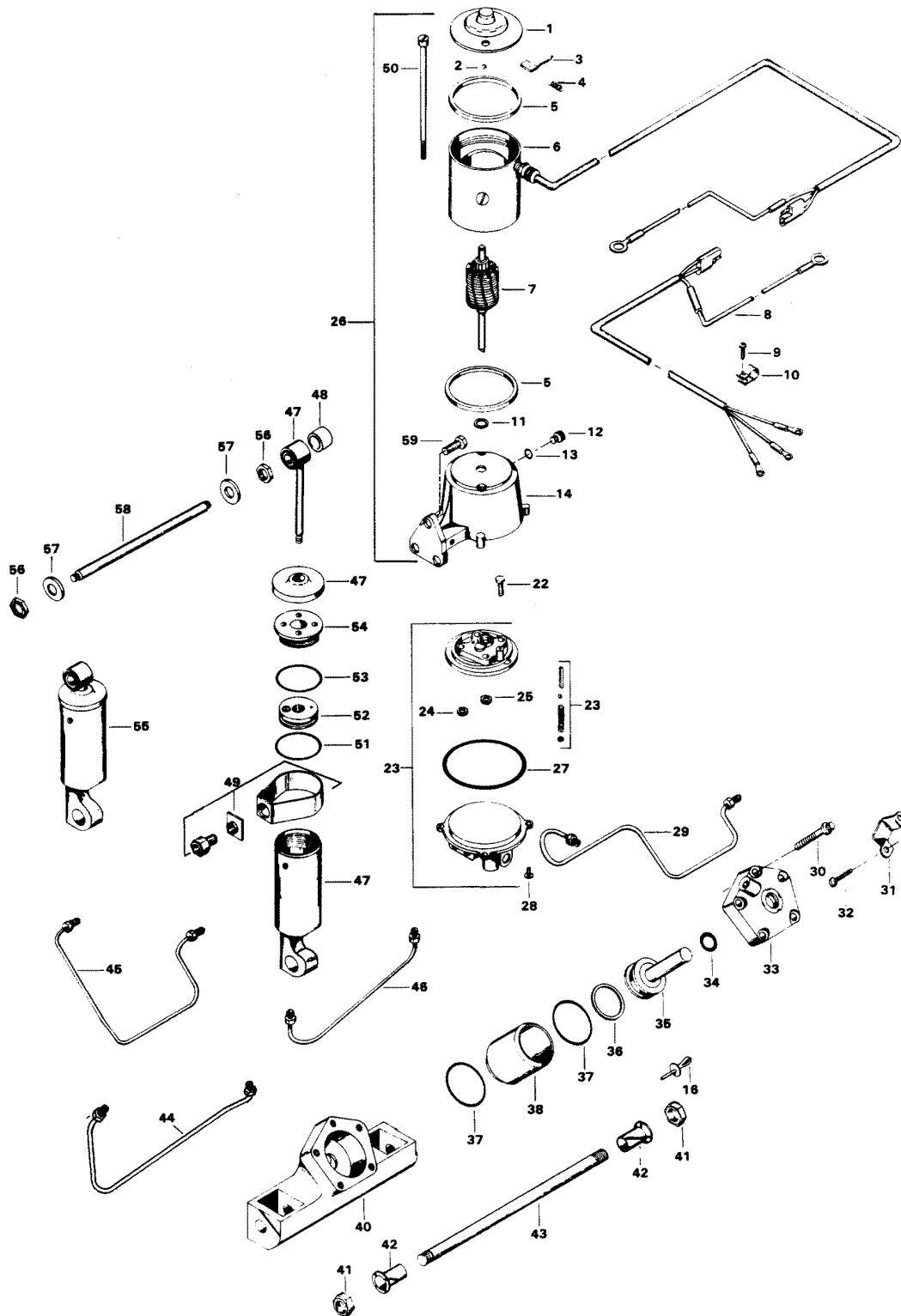
REMOTE CONTROL



REMOTE CONTROL

REF. NO.	PART NO.	SYM.	QTY.	DESCRIPTION
40	F1461		2	SCREW #6 X 7/8
41	F448446		1	CLAMP, TRIM SWITCH CABLE
42	F1280		3	PAN HD SCREW, 8 - 32 X 1/4
-	OB3061		1	LITERATURE (NOT SHOWN)
-	F17103		1	BAG ASSEMBLY (NOT SHOWN) INCLUDES ITEMS MARKED WITH AN ASTERISK (*).

POWER TRIM UNIT

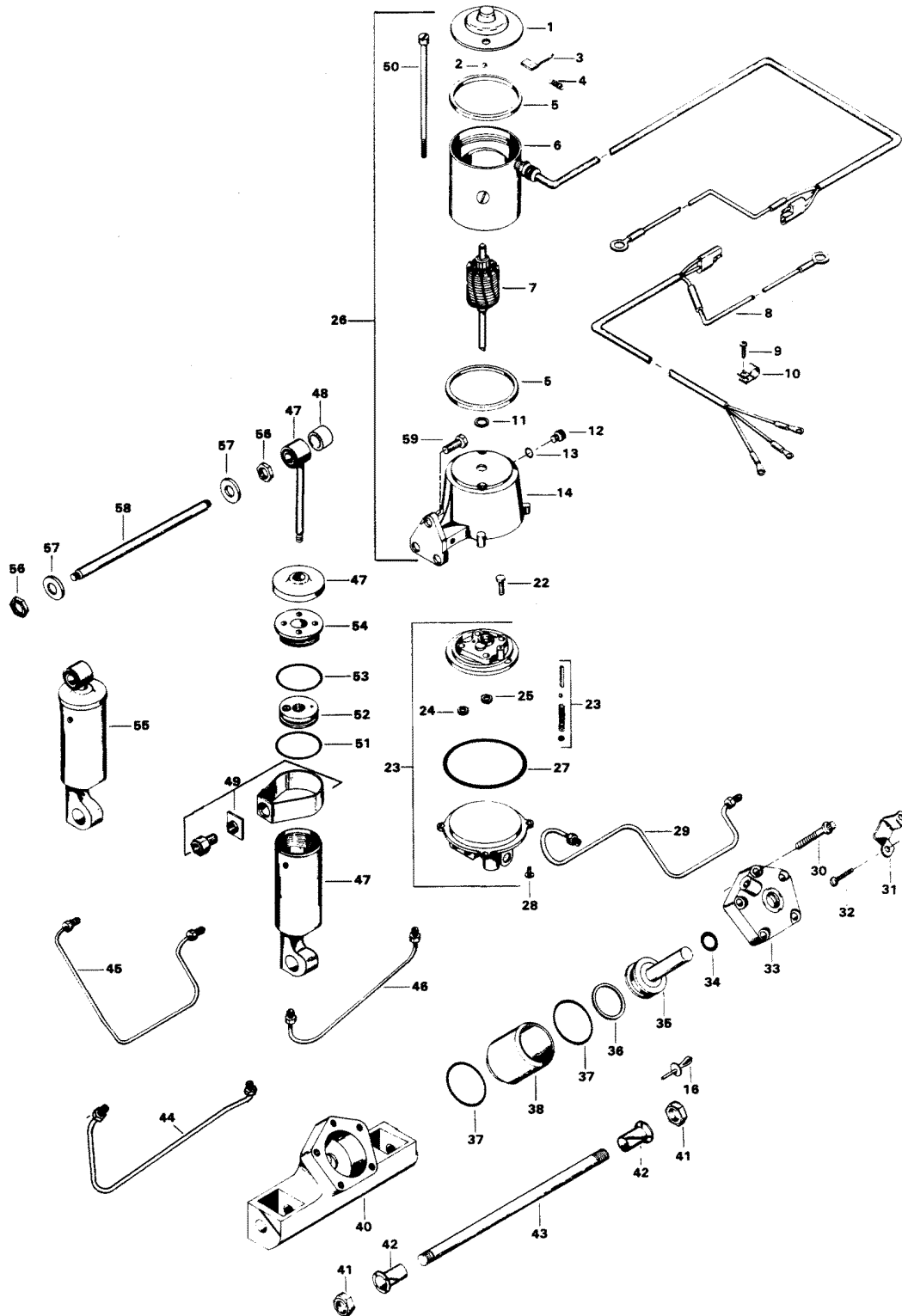


POWER TRIM UNIT

REF. NO.	PART NO.	SYM.	QTY.	DESCRIPTION
1	F17543		1	HEAD ASSEMBLY, COMMUTATOR END
2	F17539		0	BALL
3	F17504		0	BRUSH SET
4	F17500		1	SPRING SET
5	F17557		1	GASKET
6	F17556		1	FIELD AND FRAME ASSEMBLY
7	F17555		1	ARMATURE
8	F500843		1	CABLE
9	F1741		2	THREAD FORMING SCREW, 8 X 3/4
10	F448446		2	CLAMP
11	F17508		A/R	THRUST WASHER
12	F17518		1	FILLER CAP
13	F17510		1	O-RING
14	F17505		1	RESERVOIR AND BRACKET W/SEAL
16	F1966		1	PLUG, SWIVEL BRACKET
22	F1203		1	HEX CAP SCREW, 1/4 - 20 X 7/8
23	F17564		1	VALVE BODY AND PUMP WILLUS. 22, 24, 25 AND 27
24	F17566		1	IDLE GEAR
25	F17565		1	DRIVE GEAR
26	F17563		1	MOTOR AND RESERVOIR ASSEMBLY
27	F17522		1	O-RING
28	F1310		4	ROUND HD SCREW, 10 - 24 X 5/8
29	F449254		1	HYDRAULIC LINE, TRIM CYLINDER, UPPER
30	F1959		5	SCREW, 1/4 - 20 X 1-3/4, STAINLESS STEEL
31	F449354		1	THRUST BRACKET
32	F1734		2	FILL HD MOUNTING SCREW AND LOCKWASHER, 1/4 - 20 X 1/2
33	FA449149		1	COVER ASSEMBLY W/SEALS AND RETAINER
34	F449342		1	SEAL, PISTON SHAFT
35	FA449015		1	PISTON
36	F449278		1	PISTON SEAL
37	F40278		2	SEAL, CYLINDER
38	F449010		1	CYLINDER
40	F449545-2		1	CYLINDER HOUSING
41	F1963		2	ELASTIC STOP NUT, 5/8 - 18
42	F178362		2	BEARING
43	F449632		1	SHAFT
44	F449253-1		1	HYDRAULIC LINE, TRIM CYLINDER, LOWER
45	F449758		1	HYDRAULIC LINE, LIFT CYLINDER, UPPER
46	F449754-1		1	HYDRAULIC LINE, LIFT CYLINDER, LOWER
47	FA17559		1	LIFT CYLINDER COMPLETE
48	F178344		2	BUSHING
49	F17577		1	ADAPTER FITTING PACKAGE

CONTINUED ON NEXT PAGE ➡

POWER TRIM UNIT



POWER TRIM UNIT

REF. NO.	PART NO.	SYM.	QTY.	DESCRIPTION
50	F17558		1	THRU-BOLT PACKAGE
51	FA17561-1		1	O-RING W/LITERATURE
52	F17562-1		1	PISTON ASSEMBLY
53	F17528		1	O-RING
54	F17560		1	HEAD ASSEMBLY
55	FA178962		1	SHOCK ABSORBER W/ILLUS. 61
56	F1931		2	STOP NUT, 1/2 - 20, STAINLESS STEEL
57	F1960		2	PLAIN WASHER
58	F449889		1	SHAFT, UPPER
59	F1822		3	SCREW, 5/16 - 18 X 7/8, STAINLESS STEEL
-	F1877		2	TY-RAP (NOT SHOWN)

SPECIAL TOOLS - TUNE-UP

REF. NO.	PART NO.	SYM.	QTY.	DESCRIPTION
-	FT8948-1		0	PULLER TO REMOVE FLYWHEEL.
-	FTA2937-1		0	TIMING TOOL TO ADJUST TIMING POINTER.
-	FT8978		0	POWER TIMING LIGHT FOR ADJUSTMENT OF ENGINE TIMING.

SPECIAL TOOLS - POWER HEAD

REF. NO.	PART NO.	SYM.	QTY.	DESCRIPTION
-	FT2998		0	TORQUE WRENCH (0-100 LBS./FT.) TO PROPERLY TORQUE FASTENERS.
-	FT2999		0	TORQUE WRENCH (0-600 LBS./IN.) TO PROPERLY TORQUE FASTENERS.
-	FT8914		0	SEAL REMOVER TO REMOVE UPPER CRANKSHAFT BEARING CAGE SEAL.
-	FT8903		0	SEAL INSTALLER TO INSTALL UPPER CRANKSHAFT BEARING CAGE SEAL.
-	FT8927		0	SEAL PROTECTOR TO INSTALL UPPER CRANKSHAFT BEARING CAGE.
-	FT8907		0	DRIVE HANDLE USED WITH T 8903.
-	FT8925		0	SEAL INSTALLER TO INSTALL LOWER CRANKSHAFT SEAL.
-	FT2953		0	SOCKET TO TORQUE CONNECTING ROD SCREWS.
-	FT2990		0	PISTON PIN TOOL TO REMOVE AND INSTALL PISTON PINS.
-	FT2996		0	RING COMPRESSOR TO INSTALL PISTON IN CYLINDER.
-	FT8926		0	RING EXPANDER TO INSTALL PISTON RINGS.
-	FT1082		0	SNAP RING PLIER TO REMOVE AND INSTALL DISTRIBUTOR RETAINING RING.
-	FT8933		0	LIFTING HOOK TO LIFT ENGINE.
-	FT2991		0	CARBON BRUSH TO REMOVE CARBON DEPOSITS FROM POWER HEAD.
-	FT8900		0	HOSE CLAMP PLIERS TO REMOVE AND INSTALL FUEL HOSE CLAMPS.

SPECIAL TOOLS - GEAR HOUSING

REF. NO.	PART NO.	SYM.	QTY.	DESCRIPTION
-	FT7848		0	TORQUING ADAPTER HOLD DRIVESHAFT WHILE INSTALLING OR REMOVING PINION NUT.
-	FT8948-1		0	PULLER TO REMOVE SPOOL FROM GEAR HOUSING.
-	FT8985		0	SEAL INSTALLER TO INSTALL PROPELLER SHAFT SEAL IN PROPELLER SHAFT BEARING SPOOL.
-	FT8925		0	SEAL INSTALLER TO INSTALL DRIVESHAFT SEAL IN GEAR HOUSING COVER.
-	FT8907		0	DRIVER HANDLE TO INSTALL BEARING CUPS AND SEALS.
-	FT8901		0	INDICATOR HOLDER USED IN CONJUNCTION WITH T 8997.
-	FT8902		0	DIAL INDICATOR USED IN CONJUNCTION WITH T 8997.
-	FT8919		0	SPRING PIN PUNCH TO REMOVE CLUTCH SPRING PIN.
-	FT8957		0	SEAL INSTALLER TO INSTALL SHIFT ROD SEAL.
-	FT8997		0	SHIMMING TOOL TO SHIM LOWER UNIT.
-	FT8918		0	BEARING GUIDE SET TO REMOVE FORWARD BEARING CUP IN GEAR HOUSING.
-	FT11209		0	BEARING GUIDE SET USE WITH T 8918.
-	FT11207		0	BEARING CUP REMOVER TO REMOVE FORWARD BEARING CUP IN GEAR HOUSING.
-	FT11204		0	BEARING CUP INSTALLER TO INSTALL FORWARD BEARING CUP IN GEAR HOUSING.
-	FT3012		0	SEAL INSTALLER TO INSTALL WATER PUMP SEAL.
-	FT11205		0	BEARING INSTALLER/REMOVER TO INSTALL AND REMOVE LOWER DRIVESHAFT BEARING IN GEAR HOUSING.
-	FT8930-1		0	FEELER GAUGE SET TO SHIM LOWER UNIT (USE W/T 8997).

SPECIAL TOOLS - TEST EQUIPMENT

REF. NO.	PART NO.	SYM.	QTY.	DESCRIPTION
-	FT8950		0	LEAKAGE TESTER TO TEST LOWER UNIT SEALS FOR LEAKAGE.
-	FTK8999		0	TEST WHEEL TO TEST MOTOR IN TEST TANK. ORIGINAL FORCE P/N TA 8999
-	FT8953		0	IGNITION TESTER TO TEST OUTPUT OF C-D UNIT.
-	FT2951		0	CIRCUIT TRACER TO TROUBLESHOOT ELECTRICAL SYSTEM.
-	FT2938-1		0	TEST LIGHT TO CHECK CONTINUITY IN WIRES.

SPECIAL TOOLS - LUBRICANTS AND SEALANTS

REF. NO.	PART NO.	SYM.	QTY.	DESCRIPTION
-	FT2961		0	LUBRICANT - RYKON #2EP
-	FT2987-1		0	LUBRICANT - ANTI-SEIZE
-	FT8969		0	LUBRICANT - 7 OZ. LPSI LUBRICANT
-	FT8955		0	SEALANT - 5 OZ. EC-750 INDUSTRIAL SEALANT
-	FT8983		0	SEALANT - 3 OZ. RTV SEALANT FROM IN PLACE GASKETS
-	FT8936-1		0	SEALANT - 2 CC LOCTITE RETAINING COMPOUND #75
-	FT2962-1		0	SEALANT - 50 CC LOCTITE H, NON-HARDENING GRADE
-	FT2963-1		0	SEALANT - 2 OZ. LOCTITE D, HARDENING GRADE
-	FT8935		0	SEALANT PRIMER - 6 OZ.

ACCESSORIES

REF. NO.	PART NO.	SYM.	QTY.	DESCRIPTION
-	F5H014		0	FLUSHING ADAPTER PERMITS FRESH WATER FLUSHING OF WATER PASSAGES WITH STANDARD GARDEN HOSE.
-	F5H130		0	REMOTE CONTROL BOX (SINGLE LEVER) (SURFACE MOUNT) PERMITS REMOTE CONTROL OF THROTTLE AND GEAR SHIFT FROM STARBOARD SIDE OF BOAT.
-	F5H120		0	REMOTE CONTROL BACK PLATE PROTECTS CONTROL MECHANISM FROM PADDED BOAT SURFACES.
-	F5H131		0	PORT SIDE DECAL KIT CONVERTS 5H130 CONTROL BOX TO PORT SIDE MOUNTING.
-	F590		0	REMOTE CONTROL HEAD (SINGLE LEVER) FLUSH MOUNT CONTROL UNIT PERMITS REMOTE CONTROL OF THROTTLE AND GEAR SHIFT. MAY BE MOUNTED ON PORT OR STARBOARD SIDE OF BOAT.
-	865		0	TWIN REMOTE CONTROL BOX PERMITS REMOTE CONTROL OF THROTTLE, AND GEAR SHIFT ON TWIN ENGINE INSTALLATIONS. MAY BE MOUNTED ON PORT OR STARBOARD SIDE OF BOAT.
-	F5H079		0	REMOTE CONTROL BOX FOR MOUNTING ON CONSOLE OF BOAT.
-	F5H080		0	TWIN REMOTE CONTROL BOX FOR MOUNTING ON CONSOLE OF BOAT.
-	F195/___		0	REMOTE CONTROL CABLES CONNECTS REMOTE CONTROL BOX TO THROTTLE AND GEAR SHIFT ON ENGINE. AVAILABLE IN 6 THROUGH 40 FOOT LENGTHS.
-	F5H108		0	STEERING CONNECTOR CLEVIS TYPE FOR BOAT MOUNTED STEERING AND NON THREADED CABLE END.
-	F5H018		0	DUAL ENGINE TIE BAR PERMITS DUAL ENGINE INSTALLATIONS.
-	F5H094		0	STEERING LINK CONNECTS ENGINE TO REMOTE STEERING CABLE.
-	F5H026		0	STEEL, 6 GALLON FUEL TANK (LOW PROFILE) AUXILIARY TANK.
-	F5H029		0	TANK ANCHOR SECURES 5H026 TO BOAT.
-	F5H040		0	STEEL, 12 GALLON FUEL TANK AUXILIARY TANK.
-	F5H019		0	ANTI-CORROSION KIT ELECTRICAL KIT FOR MOUNTING ON BOAT (12V) TO REDUCE CORROSION.
-	F5H025		0	ANTI-CORROSION SACRIFICIAL ANODE KIT USED TO REDUCE CORROSION.
-	F5H043		0	OVERHEAT BUZZER SOUNDS WARNING BUZZER IF ENGINE OVERHEATS.
-	479		0	OVERHEAT LAMP WARNS OF ENGINE OVERHEATING. DO NOT USE GAUGE AND LAMP IN SAME INSTALLATION.
-	F5H010		0	POWER TRIM INDICATOR INDICATES ENGINE TRIM ANGLE. (FLUSH MOUNT).
-	F5H134		0	BOAT WHITE LACQUER ENGINE TOUCH-UP PAINT IN 12-3/4 OZ. SPRAY BOMBS (6 CANS PER CASE).
-	F5H081		0	BATTERY CABLE LONGER LENGTH - 15 FEET.
-	F5H006		0	VOLTMETER - FLUSH MOUNT INDICATES BATTERY CONDITION.

CONTINUED ON NEXT PAGE ➡

ACCESSORIES

REF. NO.	PART NO.	SYM.	QTY.	DESCRIPTION
-	71H25		0	CHARGE INDICATOR LAMP INDICATES ALTERNATOR OUTPUT.
-	F5H007		0	HOURLMETER - FLUSH MOUNT RECORDS ENGINE RUNNING TIME.
-	5H111		0	INSTRUMENT ADAPTER - 2" PROVIDES SURFACE MOUNTING OF INSTRUMENTS.
-	F5H112		0	INSTRUMENT ADAPTER - 3-1/2" PROVIDES SURFACE MOUNTING OF INSTRUMENTS.
-	F5H119		0	PROPELLER SPACER - FLARED REDUCES PROPELLER VENTILATION ON SOME BOAT APPLICATIONS.
-	F5H069		0	RFI SUPPRESSION KIT PROVIDES RADIO NOISE SUPPRESSION.
-	5H048		0	CANVAS HOOD PROTECTION FOR ENGINE COVER.
-	5H051		0	BATTERY, 74 AMP. 12 VOLT HEAVY DUTY BATTERY.
-	F5H041		0	BATTERY TERMINAL KIT ADAPTS MODEL 5H051 BATTERY TERMINALS FOR CONNECTIONS TO CABLE ON ENGINE.
-	F5H021		0	EXTENSION CABLE FOR LENGTHENING BATTERY CABLE 6-1/2 FEET.
-	F5H037		0	CIGAR LIGHTER FOR USE AS CONVENIENCE OUTLET.
-	F5H008		0	FUEL GAUGE FLUSH MOUNT MONITORS FUEL SUPPLY.
-	F5H076		0	SWITCH EXTENSION CABLE 5 FOOT LONG SWITCH WIRING HARNESS.
-	F5H077		0	IGNITION KEY SWITCH SHORT BARREL WITH KEYS.
-	F5H078		0	IGNITION KEY SWITCH LONG BARREL WITH KEYS.
-	F762		0	REMOTE ELECTRIC CABLE 25 FOOT CABLE FOR LARGE BOATS.
-	5H082		0	REMOTE ELECTRIC CABLE 35 FOOT CABLE FOR LARGE BOATS.
-	F5H146		0	POWER TILT TILTS ENGINES FOR BEACHING.
-	F5H132		0	REMOTE CONTROL HANDLE TRIM SWITCH SWITCH FOR POWER TRIM IN CONTROL BOX HANDLE.
-	F5H044		0	TILT STOP KIT SHORTER TILT STOP FOR SHORT TRANSOM WELL.
-	F5H070		0	REMOTE ELECTRIC CABLE 21 FOOT CABLE FOR LARGE BOATS.
-	F5H028		0	SENDING UNIT FOR USE WITH FUEL GAUGE.
-	F5H005		0	TEMPERATURE GAUGE - FLUSH MOUNT MONITORS ENGINE TEMPERATURE. DO NOT USE TEMPERATURE GAUGE AND HEAT LAMP IN SAME INSTALLATION.
-	F5H012		0	TACHOMETER FLUSH MOUNT MONITORS ENGINE R.P.M. TO PROVIDE CHECK OF ENGINE PERFORMANCE.
-	F5H150		0	POWER TRIM ADJUSTS ENGINE TRIM AND TILTS ENGINE.
-	F5H004		0	SPEEDOMETER FLUSH MOUNT MONITORS BOAT SPEED (10-50 M.P.H.)
-	F5H002		0	SPEEDOMETER - FLUSH MOUNT MONITORS BOAT SPEED (10-65 M.P.H.)
-	F5H003		0	SPEEDOMETER FLUSH MOUNT MONITORS BOAT SPEED (20 TO 100 KM/H).

CONTINUED ON NEXT PAGE ➡

ACCESSORIES

REF. NO.	PART NO.	SYM.	QTY.	DESCRIPTION
-	F5H030		0	SWITCH KIT - RUNNING LIGHTS DASH MOUNTED TOGGLE SWITCH
-	F5H031		0	SWITCH KIT - SPOT LIGHT DASH MOUNTED TOGGLE SWITCH
-	F5H032		0	SWITCH KIT - WIPER DASH MOUNTED TOGGLE SWITCH
-	F5H034		0	SWITCH KIT - BILGE PUMP DASH MOUNTED TOGGLE SWITCH
-	F5H035		0	SWITCH KIT - HORN DASH MOUNTED TOGGLE SWITCH
-	F5H039		0	SWITCH KIT - INSTRUMENT LIGHTS DASH MOUNTED TOGGLE SWITCH
-	5H139		0	SWITCH KIT - LIVEWELL PUMP DASH MOUNTED TOGGLE SWITCH.
-	F5H036		0	SWITCH KIT - TACHOMETER TRANSFER FOR ONE TACHOMETER ON DUAL ENGINE INSTALLATION.
-	F5H038		0	SWITCH KIT - IGNITION SWITCH TO MOUNT IGNITION SWITCH IN DASH.
-	F563		0	TERMINAL BLOCK KIT DOUBLE ROW 10 SECTION, TO SIMPLIFY ACCESSORY INSTALLATION.
-	F5H075		0	WIRING HARNESS - IGNITION SWITCH - 24" USE WITH 563 TERMINAL BLOCK.
-	F596		0	CHRYSLER OUTBOARD OIL SEE BLOCK COMMENT 1.
-	F597		0	CHRYSLER OUTBOARD GEAR LUBE SEE BLOCK COMMENT 2.
-	F5H059		0	CHRYSLER OUTBOARD MULTI-PURPOSE GREASE LUBRICATES BEARINGS AND OTHER MOVING PARTS. AVAILABLE IN 8 OZ. TUBES AND 12 TUBE CASES.
-	F5H060		0	CHRYSLER OUTBOARD GREASE GUN

PARTS INDEX

Part Number	Description	Pg.	Ref. No.	Part Number	Description	Pg.	Ref. No.
ÄF58356//	REMOTE CONTROL CABLE (SPECIFY LENGTH)	49	4	F1310	ROUND HD SCREW, 10 - 24 X 5/8	53	28
3C612944	ENGINE COVER, COMPLETE	3	-	F1341	HEX NUT, 1/4 - 20	25	29
479	OVERHEAT LAMP	61	-	F1346	HEX NUT	35	33
5H048	CANVAS HOOD	62	-	F14005-2	CAP BASE	13	37
5H051	BATTERY, 74 AMP.	62	-	F14007	CAP SCREW	13	33
5H082	REMOTE ELECTRIC CABLE	62	-	F14010-1	CAP COVER	13	34
5H111	INSTRUMENT ADAPTER - 2"	62	-	F14012-1	BRUSH	13	39
5H139	SWITCH KIT - LIVEWELL PUMP	63	-	F14015	CAP CLIP RIVET	13	21
71H25	CHARGE INDICATOR LAMP	62	-	F14017	TERMINAL INSULATOR (OUTSIDE)	15	46
817747--1	BALL JOINT W/STUD	21	23	F14021-1	CAP SEAL	13	36
817747--1	BALL JOINT W/STUD	25	27	F14024	SPACER	15	42
817783A5	SWIVEL BRACKET	37	59	F14025	SPACER	13	4
817786A1	DISTRIBUTOR PULLEY	13	3	F14028	THRUST WASHER	13	5
817788A3	BEARING PLATE W/PLUG	27	73	F14029	THRUST WASHER	13	7
817828A1	DISTRIBUTOR (NOT SHOWN)	15	-	F14030	CAP GASKET	13	38
817892--1	PLATE, IGNITION SWITCH - CANADA (NOT SHOWN)	9	-	F14036	SWIVEL	13	13
817931A7	MOTOR LEG COVER, REAR	35	9	F14037	CAP CLIPS	13	14
817932A6	TOWERSHAFT	25	24	F14038	CAP CLIP SCREWS	13	15
865	TWIN REMOTE CONTROL BOX	61	-	F14040	VENT	13	35
89396A38	PRIME BULB	47	9	F14041	EXTERNAL TOOTH LOCKWASHER	13	23
A3	LEG COVER FRONT	37	83	F14042	DISTRIBUTOR HOUSING W/BEARINGS	13	12
A523010-1	CYLINDER	25	1	F14044	DISTRIBUTOR SHAFT	13	40
C523227	SPARK PLUG (CHAMPION QL-76V) - CANADA	29	-	F14045	SCREW	13	16
F10000	GASKET SET (NOT SHOWN)	19	-	F14046	TERMINAL SCREW	13	19
F10005	REPAIR PARTS KIT.	19	54	F14047	TERMINAL INSULATOR (INSIDE)	13	20
F1009	HEX HD SCREW, 3/8 - 16 X 2 3/4	25	5	F14049	TERMINAL INSULATOR (OUTSIDE)	13	22
F1014	COTTER PIN	17	17	F14056	SCREW	15	47
F1014	COTTER PIN	37	73	F1425	HEX CAP SC, 1/4 - 20 X 5/8	45	-
F1015	COTTER PIN	43	46	F1425	HEX CAP SCREW, 1/4 - 20 X 2-5/8	43	62
F1052	FILL HD SCREW, 1/4 - 20 X 1	25	30	F1461	SCREW #6 X 7/8	49	40
F1059	FILL HD SCREW, 6 - 32 X 1/4	17	21	F1473	HEX NUT	3	7
F1064	FILL HD SCREW, 8 - 32 X 3/8	17	3	F1475	FILL HD SCREW, 10 - 24 X 1/2	25	25
F1087	FILL HD SCREW, 10 - 24 X 13/16	7	2	F1491	HEX HD SCREW, 5/16 - 18 X 3/4	43	41
F1099	FILL HD SCREW, 1/4 - 20 X 1 -1/4	25	15	F15034	SPRING SET	11	15
F1099	FILL HD SCREW, 1/4 - 20 X 1-1/4	29	94	F15054	BRUSH AND TERMINAL SET	11	7
F1107	SLOTTED FILL HD CAP SCREW, 1/4 - 20 X 3/4	29	95	F15057	BRUSH PLATE AND HOLDER ASSEMBLY	11	16
F1108	FILL HD SCREW, 1/4 - 20 X 3/4	21	13	F15099	ARMATURE	11	5
F1203	HEX CAP SCREW, 1/4 - 20 X 7/8	53	22	F15118	BENDIX DRIVE ASSEMBLY	11	1
F1236	SCREW, 1/4 - 20 X 1/2	21	22	F15125	HEAD ASSEMBLY, COMMUTATOR END	11	14
F1253	HEX SOCKET HD CAP SCREW, 3/8 - 16 X 2	25	11	F15126	THRUST WASHER PACKAGE	11	4
F1263	35	12	F1513	HEX NUT	7	18
F1280	PAN HD SCREW	35	20	F1513	HEX NUT	49	3
F1280	PAN HD SCREW, 8 - 32 X 1/4	7	33	F1513	HEX NUT, 10 - 32	21	27
F1280	PAN HD SCREW, 8 - 32 X 1/4	51	42	F1513	HEX NUT, 10 - 32	27	44
F1286	PAN HD SCREW, 4 - 40 X 3/16	27	39	F1515	HEX NUT	7	24
				F1515	HEX NUT, 5/16 - 18	21	29
				F15166	FRAME AND FIELD ASSEMBLY	11	6

PARTS INDEX

Part Number	Description	Pg.	Ref. No.	Part Number	Description	Pg.	Ref. No.
F15167	HEAD ASSEMBLY, DRIVE			F17068	DETENT SPRING	49	37
	END	11	3	F17071	FILL HD SCREW, 10 - 24 X		
F15168	THRU BOLT PACKAGE	11	10		5/16	49	22
F1528	WELCH PLUG	35	42	F1708	HEX HD CAP SCREW, 1/4 -		
F1532	HEX HD SCREW, 1/4 - 20 X 1	21	20		20 X 1 - 3/8	3	25
F1532	HEX HD SCREW, 1/4 - 20 X 1	25	35	F17082-1	DETENT BALL	49	38
F1532	HEX HD SCREW, 1/4 - 20 X 1	31	109	F17092	SNAP RING	49	21
F154317	CABLE CLAMP	49	23	F17099	HOUSING	49	36
F1556	FILL HD SCREW			F1710	PLAIN WASHER	35	39
	W/LOCKWASHER, 10 - 24			F17100	CLUTCH SHAFT	49	20
	X 3/8	25	31	F17103	BAG ASSEMBLY (NOT		
F1557	FLAT HD SCREW, 10 - 24 X				SHOWN)	51	-
	3/8	49	25	F17105	FELT WASHER	49	33
F1577	FILL HD SCREW, 1/4 - 20 X			F17106	COLLAR	49	34
	3/4	41	19	F1711	SPRING BOWED WASHER .	37	51
F1593	HEX HD SCREW, 3/8 - 16 X 3	35	30	F17111	DETENT BALL	49	17
F1612	HEX CAP SCREW, 3/8 - 16 X			F17112	JUNCTION BOARD,		
	1-1/4	13	8		STARBOARD	49	26
F1641	LOCK NUT	11	2	F17113	JUNCTION BOARD, PORT .	49	-
F1645	RD HD SCREW, 6 - 32 X 1/4	7	27	F1713	SPRING PIN	41	25
F1645	RD HD SCREW, 6 - 32 X 1/4	23	50	F17146	WOOD SCREW	49	35
F1647	HEX NUT, 8 - 32	7	6	F17147	INTERNAL TOOTH		
F1647	HEX NUT, 8 - 32	13	24		LOCKWASHER	49	12
F1647	HEX NUT, 8 - 32	29	89	F17148	DECAL, STARBOARD	49	27
F1648	PAN HD SCREW, 10 - 24 X			F17149	COTTER PIN	49	8
	3/4	7	16	F1715	HEX BOLT, 14 X 28 X 9/16	49	7
F1664	SPRING PIN	35	10	F1727	PLASTIC RIVET	25	26
F1666	SPRING BOWED WASHER .	35	26	F1729	PLUG	35	8
F1669	37	44	F1730	PAN HD SCREW W/SPRING		
F1689	HEX HD CAP SCREW, 1/4 -				LOCKWASHER, 1/4 - 20 X		
	20 X 1/2	9	42		5/8	3	5
F1692	WOODRUFF KEY	15	41	F1733	PAN HD MACHINE SCREW,		
F1693	TIE BAR RETAINER	17	4		10 - 24 X 9/16	3	2
F1696	HEX BOLT, 5/16 - 18 X 1-3/4	35	24	F1734	FILL HD MOUNTING SCREW		
F1699	HEX HD SCREW, 1/4 - 20 X				AND LOCKWASHER, 1/4 -		
	1-1/8	25	10		20 X 1/2	53	32
F17006	DETENT SPRING	49	18	F1734	FILL HD SCREW		
F17009	BEARING	49	14		W/LOCKWASHER, 1/4 - 20		
F17010-1	THROTTLE GEAR	49	16		X 1/2	7	14
F17011	BOWED WASHER	49	15	F1741	PAN HD SCREW, 8 X 3/4 . .	7	35
F17012	RETAINING PLATE	49	13	F1741	THREAD FORMING SCREW,		
F17013	FILL HD SCREW, 1/4 - 20 X				8 X 3/4	53	9
	1/2	49	11	F1744	SPRING PIN	37	62
F17014	THROTTLE ARM	49	10	F1744	SPRING PIN	37	68
F17016	CABLE TERMINAL	49	9	F17500	SPRING SET	53	4
F17019	CLUTCH ARM	49	5	F17504	BRUSH SET	53	3
F17021	CLUTCH GEAR	49	19	F17505	RESERVOIR AND BRACKET		
F17026	SWIVEL	49	24		W/SEAL	53	14
F1703	LOCKWASHER	27	71	F17508	THRUST WASHER	53	11
F1703	SPRING LOCKWASHER . . .	37	79	F17510	O-RING	53	13
F17031-1	SNAP CAP	49	28	F17518	FILLER CAP	53	12
F17036	INTERNAL TOOTH			F17522	O-RING	53	27
	LOCKWASHER	49	6	F17528	O-RING	55	53
F1704	INTERNAL TOOTH			F17539	BALL	53	2
	LOCKWASHER	23	49	F17543	HEAD ASSEMBLY,		
F1705	HEX CAP SCREW, 1/4 - 20 X				COMMUTATOR END	53	1
	3/4	7	23	F1755	ROUND HD SCREW		
F1705	HEX CAP SCREW, 1/4 - 20 X				W/LOCKWASHER, 6 - 32 X		
	3/4	41	1		1/4	21	38
				F17555	ARMATURE	53	7

PARTS INDEX

Part Number	Description	Pg.	Ref. No.	Part Number	Description	Pg.	Ref. No.
F17556	FIELD AND FRAME ASSEMBLY	53	6	F1857	HEX CAP SCREW, 5/16 - 18 X 5/8	3	29
F17557	GASKET	53	5	F1857	HEX CAP SCREW, 5/16 - 18 X 5/8	5	34
F17558	THRU-BOLT PACKAGE	55	50	F1858	HEX CAP SCREW, 5/16 - 18 X 1	3	28
F17560	HEAD ASSEMBLY	55	54	F1858	HEX CAP SCREW, 5/16 - 18 X 1	43	39
F17562-1	PISTON ASSEMBLY	55	52	F1860	RD HD SCREW, 6 - 32 X 1/4	21	9
F17563	MOTOR AND RESERVOIR ASSEMBLY	53	26	F1864	HEX CAP SCREW, 1/4 - 20 X 3/4	3	21
F17564	VALVE BODY AND PUMP	53	23	F1864	HEX CAP SCREW, 1/4 - 20 X 3/4	27	76
F17565	DRIVE GEAR	53	25	F1864	HEX HD SCREW, 1/4 - 20 X 3/4	25	13
F17566	IDLE GEAR	53	24	F1866	PLAIN WASHER	45	71
F17577	ADAPTER FITTING PACKAGE	53	49	F1867	HEX CAP SCREW, 3/8 - 16 X 1	33	19
F1759	SHIM, DISTRIBUTOR (QTY. AS REQUIRED)	13	11	F1869	HEX CAP SCREW, 3/8 - 16 X 1-1/4	27	70
F1760	PAN HD SCREW, 10 - 24 X 3/8	7	19	F1871	HEX HD SCREW, 3/8 - 16 X 3/4	37	80
F1760	PAN HD SCREW, 10 - 24 X 3/8	13	25	F1872	HEX CAP SCREW, 3/8 - 16 X 1-3/4	25	14
F1760	PAN HD SCREW, 10 - 24 X 3/8	25	3	F1873	HEX CAP SCREW, 3/8 - 16 X 3	25	9
F177330	FUEL PUMP VALVE	21	10	F1874	HEX HD SCREW, 3/8 - 16 X 3 1/8	25	4
F177350	REVERSE LOCK PIN	37	61	F1877	TY-RAP	7	29
F1778	PLAIN WASHER	13	9	F1877	TY-RAP (NOT SHOWN)	55	-
F178168-1	GASKET, CARBURETOR ADAPTER	21	35	F1885	HEX BOLTS, S.S., 5/16 - 18 X 4-1/4	27	58
F178168-1	GASKET, CARBURETOR ADAPTER	29	-	F1885	HEX CAP SCREW, 5/16 - 18 X 4-1/4	41	6
F178173	RETAINING RING	35	31	F1892	STOP NUT	9	52
F178208	RETAINING RING	35	38	F1904	PLAIN WASHER	35	32
F178323	SEAL, MOTOR LEG	35	13	F1907	PLAIN WASHER	41	7
F178344	BUSHING	53	48	F1910	STOP NUT, 1/4 - 20	21	25
F178362	BEARING	35	41	F19109	PLUG	29	81
F178362	BEARING	53	42	F19109	PLUG	41	30
F178404-1	DEFLECTOR PLATE	21	36	F1912	HEX HD SCREW, 10 - 24 X 1/2	37	77
F178632	SHAFT, SHOCK MOUNT LOWER	37	48	F1916	HEX BOLT, 1/4 - 20 X 1-1/8	29	97
F178754-1	FUEL LINE	17	24	F1922	HEX CAP SCREW, 1/4 - 20 X 5/8	3	26
F1788	STOP NUT	41	15	F1922	HEX CAP SCREW, 1/4 - 20 X 5/8	11	11
F178889	SHAFT, SHOCK MOUNT UPPER	37	53	F1922	HEX CAP SCREW, 1/4 - 20 X 5/8	21	5
F17932	SEAL, FUEL LINE COUPLER	47	12	F1922	HEX CAP SCREW, 1/4 - 20 X 5/8	27	55
F18160-2	CYLINDER DRAIN REED	27	42	F1931	STOP NUT, 1/2 - 20, STAINLESS STEEL	55	56
F1822	HEX BOLT, 5/16 - 18 X 7/8	39	84	F1934	FLAT HD SLOTTED SCREW, 6 X 12	9	50
F1822	SCREW, 5/16 - 18 X 7/8, STAINLESS STEEL	55	59	F1936	SPACER, BEVEL GEAR FRONT .059	41	27
F1831	FLAT HD SCREW, 1/4 - 20 X 5/8	23	43	F1937	SPACER, BEVEL GEAR FRONT .062	41	-
F1832	STOP NUT, 1/4 - 20	27	65				
F1836	SPRING PIN	37	72				
F184033-1	SWIVEL, TOP CARBURETOR	17	20				
F184122-1	PARTING LINE SEAL	29	-				
F184122-1	SEAL, PARTING LINE	27	47				
F184579	O-RING SEAL	17	19				
F1851	FILL HD SCREW W/LOCKWASHER, 10 - 24 X 1/2	7	39				
F1854	HEX CAP SCREW, 1/4 - 20 X 5/8	3	17				
F1856	PLAIN WASHER	45	72				

PARTS INDEX

Part Number	Description	Pg.	Ref. No.	Part Number	Description	Pg.	Ref. No.
F1939	SPACER, BEVEL GEAR FRONT .068	41	-	F2067	PLASTISOL CAP (NOT SHOWN) FOR EXPOSED THREADS OF CRANKSHAFT	33	-
F1940	SPACER, BEVEL GEAR FRONT .071	41	-	F2088	FASTENER	3	9
F1941	SPACER, BEVEL GEAR FRONT .074	41	-	F2089	SLOTTED PAN HD M. SCREW, 10 - 24 X 5/16 ..	27	63
F1942	SPACER, BEVEL GEAR FRONT .077	41	-	F2090	PLUG	27	74
F195/	REMOTE CONTROL CABLES	61	-	F2093	STOP NUT	35	16
F1950	HEX CAP SCREW, 10 - 24 X 5/8	29	101	F2107	FILL HD SCREW, 10 - 24 X 5/8	7	9
F1959	SCREW, 1/4 - 20 X 1-3/4, STAINLESS STEEL	53	30	F2108	LOCK NUT	39	90
F1960	PLAIN WASHER	55	57	F2108	STOP NUT, 5/16 - 18	27	64
F1963	ELASTIC STOP NUT, 5/8 - 18	53	41	F2113	SPACER, BEVEL GEAR FRONT .080	41	-
F1966	PLUG, SWIVEL BRACKET ..	53	16	F2114	SPACER, BEVEL GEAR FRONT .083	41	-
F1968	FLYWHEEL NUT	33	21	F2115	SPACER, BEVEL GEAR FRONT .086	41	-
F1975	SPRING LOCKWASHER ...	7	10	F2116	SPACER, BEVEL GEAR FRONT .089	41	-
F1975	SPRING LOCKWASHER ...	13	26	F2121	SPACER, BEVEL GEAR FRONT .057	41	-
F197787-3	FUEL LINE COUPLER	47	6	F2122	SPACER, BEVEL GEAR FRONT .054	41	-
F197813	BEARING	37	75	F213274	GREASE FITTING	13	27
F1987	PLAIN WASHER	29	84	F213274	GREASE FITTING	37	54
F1987	PLAIN WASHER	39	91	F213342	SEAL, FUEL LINE COUPLER (LARGE)	47	4
F1990	HEX CAP SCREW	45	-	F213735	SEAL, FUEL LINE COUPLER (SMALL)	47	5
F1990	HEX CAP SCREW, 1/4 - 20 X 1-5/8	43	60	F24278	SEAL, O-RING PROPELLER SHAFT SPOOL	41	10
F1994	HEX SOCKET HD CAP SCREW, 5/16 - 18 X 1 ...	43	36	F24278	SEAL, PROPELLER SHAFT SPOOL	45	-
F1997	STOP NUT, 8 - 32	17	10	F269319	THROTTLE CAM BEARING .	21	26
F2000	HEX CAP SCREW, 5/16 - 18 X 3/4	9	47	F284659-2	BEARING, CRANKSHAFT UPPER MAIN	33	22
F2000	HEX CAP SCREW, 5/16 - 18 X 3/4	29	107	F286461	SPRING, LOCK BAR HANDLE	37	66
F2008	HEX CAP SCREW, 1/4 - 20 X 7/8	29	85	F289446-1	CLAMP	7	12
F2008	HEX CAP SCREW, 1/4 - 20 X 7/8	43	55	F298788	FERRULE	47	7
F2008	HEX HD SCREW, 1/4 - 20 X 7/8	23	44	F2A406757	CYLINDER DRAIN REED PLATE	27	43
F2008	HEX HD SCREW, 1/4 - 20 X 7/8	25	7	F2A523023	BEVEL GEAR FRONT W/BEARING AND SHIMS .	41	28
F2008	HEX HD SCREW, 1/4 - 20 X 7/8	25	8	F2A523239	SPOOL, PROPELLER SHAFT BEARING	41	11
F2014	PLAIN WASHER	39	93	F2A523662	BEVEL GEAR REAR W/BEARING CAGER SPACER AND BEARING .	41	21
F2015	HEX NUT, 1/4 - 28	25	19	F2A550706	GEAR HOUSING COVER ...	43	52
F2016	FILL HD SCREW, 6 - 32 X 7/8	23	48	F307317	CLIP, TERMINAL BLOCK ...	7	17
F2030	HEX HD M. SCREW, 1/4 - 20 X 1-1/4	37	81	F316579	SEAL, CRANKCASE	33	11
F203276	BOOT	13	30	F316599	SEAL, STEERING SUPPORT TUBE	37	55
F2033	GROOVE PIN	17	26	F319908	GROUND WIRE - CANADA .	7	32
F203673	TERMINAL CLIP	13	31	F321756	PACKING, COVER	3	31
F2042	PLAIN WASHER	25	21	F321841-3	LEAD WIRE - USA	13	32
F2042	PLAIN WASHER	27	62	F322273	STUD, C.D. UNIT	9	48
F2047	WAVE SPRING LOCKWASHER	3	20				
F2049	HEX CAP SCREW, 5/16 - 18 X 2-5/8	29	83				
F2066	PAN HD TAPPING SCREW, 10 X 7/16 (TRIM TO COVER)	5	36				

PARTS INDEX

Part Number	Description	Pg.	Ref. No.	Part Number	Description	Pg.	Ref. No.
F333316	THROTTLE ROLLER SHAFT	17	5	F433114	HANDLE, LOCK BAR	37	67
F335215	SPACER, PISTON PIN (2 PER PISTON)	33	3	F433209-1	THROTTLE CAM STUD	21	32
F335217-1	BEARING, PISTON PIN (26 PER SET)	33	5	F438066	BY-PASS VALVE COVER	29	102
F335654-1	DEFLECTION STOP	3	30	F438129	SEAL, DRIVESHAFT SPLINE	45	70
F338618-1	SEAL, GEAR SHIFT ROD	35	15	F438165	SCREW, FUEL PUMP BOWL	21	18
F338618-1	SEAL, GEAR SHIFT ROD	43	53	F438169	BEARING	37	47
F338618-1	SEAL, GEAR SHIFT ROD	45	-	F438271	RETAINER, CRANKSHAFT SPLINE SEAL	45	69
F345475-1	COIL	9	44	F438346	SHOCK MOUNT LOWER	39	87
F345683	WIRE, REGULATOR-RECTIFIER GROUND	7	5	F438398-1	DECAL, WIRING - USA	29	96
F351307	SEAL, DRIVESHAFT - WATER PUMP	43	63	F438500	FUEL SEDIMENT BOWL	21	17
F353480	STUD	35	34	F438617	FUEL SEDIMENT BOWL GASKET	21	15
F369349	REVERSE LOCK	37	45	F438653	FUEL SEDIMENT BOWL SCREEN	21	16
F369364	REVERSE LOCK ARM	37	71	F438668	RETAINER, CABLE CLAMP	7	13
F369510	LINK REVERSE LOCK	37	60	F438744-1	WIRING HARNESS	7	4
F369610	BEARING	27	67	F438747	FUEL PUMP DIAPHRAGM	21	8
F369827	HANDLE AND SHAFT	37	76	F438754	FUEL LINE	17	29
F369887	SHOULDER SCREW	27	68	F438760	FUEL PUMP GASKET	21	4
F369977-1	INTERLOCK ARM	27	66	F438801	FITTING	21	14
F372151-1	EXHAUST PORT PLATE	29	100	F438841-1	LEAD WIRE - CANADA	13	-
F372152-1	EXHAUST PORT COVER	29	98	F438905	COIL WIRE - CANADA	13	-
F372154-1	GASKET, EXHAUST PORT PLATE	29	-	F438930	RETAINER, SNOUT	43	38
F372154-1	GASKET, EXHAUST PORT PLATE	29	99	F438962		35	11
F372925	CHOKE ROD	17	27	F439736	SEAL, EXHAUST TUBE	39	94
F372958	CHOKE BRACKET	21	19	F440906	GASKET, CARBURETOR	29	-
F373778-1	RETAINER, ENGINE COVER	5	35	F441754-1	HOSE	21	3
F381896-4	BATTERY CABLE	7	30	F448446	CLAMP	53	10
F391926-1	PLUNGER	17	28	F448446	CLAMP, TRIM SWITCH CABLE	51	41
F391983	RETAINING BAND	9	51	F448543	KNOB	49	29
F3A523158	REED PLATE	21	41	F448611-1	LEVER	49	30
F40209	CARBURETOR STUD	21	30	F448894	INDICATOR - PORT	49	-
F40223	GASKET, TRANSFER PORT COVER	27	52	F449010	CYLINDER	53	38
F40223	GASKET, TRANSFER PORT COVER	29	-	F449253-1	HYDRAULIC LINE, TRIM CYLINDER, LOWER	53	44
F40278	SEAL, CYLINDER	53	37	F449254	HYDRAULIC LINE, TRIM CYLINDER, UPPER	53	29
F404097	FLYWHEEL	7	1	F449278	PISTON SEAL	53	36
F404268	BY-PASS VALVE SPRING	29	104	F449342	SEAL, PISTON SHAFT	53	34
F404314	ELBOW, FUEL PUMP COVER	21	2	F449354	THRUST BRACKET	53	31
F404314	FITTING	27	57	F449545-2	CYLINDER HOUSING	53	40
F404470-1	REGULATOR-RECTIFIER	7	8	F449632	SHAFT	53	43
F404513	COIL CLAMP	7	40	F449754-1		53	46
F404801	ELBOW, CYLINDER DRAIN UPPER (NOT SHOWN)	25	-	F449758	HYDRAULIC LINE, LIFT CYLINDER, UPPER	53	45
F404841	CABLE, HEAT INDICATOR	7	37	F449889	SHAFT, UPPER	55	58
F405457	PIVOT SCREW	25	33	F449894	INDICATOR - STARBOARD	49	32
F406406	GASKET DEFLECTOR PLATE	21	37	F455449	SWITCH, TRIM	49	39
F406406	GASKET, DEFLECTOR PLATE	29	-	F455690	SET SCREW	49	31
F406471-1	CYLINDER DRAIN COVER	25	37	F460917	STARTER RELAY	7	26
F406754-1	HOSE	27	56	F474073-1	CLAMP SCREW	35	36
F40689-1	BEARING	27	72	F474387	TIMING DECAL - USA	9	56
F407446	CLAMP	7	31	F476066-1	THERMOSTAT COVER	29	93
F409251-1	GAUGE CAP	47	1	F476067	GASKET	29	90
				F476067	GASKET, THERMOSTAT COVER	29	-
				F476529-1	CYLINDER HEAD GASKET	27	79
				F476529-1	GASKET, CYLINDER HEAD	29	-

PARTS INDEX

Part Number	Description	Pg.	Ref. No.	Part Number	Description	Pg.	Ref. No.
F480038-2	SUPPORT PLATE	3	22	F523555	SEAL, O-RING, GEAR HOUSING COVER	43	48
F480107-1	CAM STARTER INTERLOCK	27	60	F523562	PLATE, WATER PUMP	43	57
F480388	DISC, WATER PUMP LOCATING	43	61	F523562	PLATE, WATER PUMP	45	-
F480818	BEARING	3	14	F523705	GEAR SHIFT ROD LOWER	43	45
F481382-1	SPACER, LATCH SHAFT	3	15	F523813	BEARING CUP	41	29
F481434	GUIDE, ENGINE COVER	3	10	F523834	CLIP, SPARK PLUG WIRE	27	54
F481774	BRACKET, COVER LATCH	3	8	F523881-2	LINK STEERING	35	17
F481777	CAM, LATCH	3	19	F523899	GROMMET, WATER LINE	41	4
F483884	BEARING	37	70	F523930	RETAINER STUD	35	22
F485755-1	FUEL TANK ADAPTER	47	3	F523961	CRUSH RING	43	49
F489551	BRACKET NEUTRAL INTERLOCK SWITCH	23	45	F523962	SHOCK MOUNT - C.D. UNIT	9	46
F490955	STARTER COMPLETE	11	-	F528068	THERMOSTAT	29	91
F498618	SEAL	43	30	F528995	COVER, CYLINDER HEAD	29	82
F498618	SEAL, GEARSHIFT ARM PIN	45	-	F529390	DECAL, REVERSE LOCK - USA	37	57
F498891	PIN, GEAR SHIFT ARM	43	32	F530160	REED (5 PETAL)	21	40
F498891	PIN, PROPELLER NUT RETAINING	41	14	F531892	DECAL, PORT	49	-
F500061-1	CARBURETOR COMPLETE (WB24B)	19	47	F532299	WASHER	41	16
F500843	CABLE	53	8	F545189	BUSHING, CABLE ENTRY	3	24
F50109	PLUG, GEAR HOUSING	43	43	F548984	BLANKET, SILENCER TOP (NOT SHOWN)	3	-
F50342-1	SEAL, BEARING CAGE BOLT	45	-	F549189	BUSHING, ELECTRIC CABLE	3	23
F50342-1	SEAL, O-RING	41	8	F552985	BLANKET, SILENCER SIDE (NOT SHOWN)	3	-
F506118	SEAL, DRIVESHAFT	43	51	F563	TERMINAL BLOCK KIT	63	-
F506118	SEAL, PROPELLER SHAFT	41	9	F58685-2	CONNECTOR, SHIFT CABLE	49	2
F506118	SEAL, PROPELLER SHAFT	45	-	F590	REMOTE CONTROL HEAD (SINGLE LEVER)	61	-
F510374	DECAL, CIRCUIT BREAKER U.S.A.	7	41	F596	CHRYSLER OUTBOARD OIL	63	-
F510460	CIRCUIT BREAKER	7	22	F597	CHRYSLER OUTBOARD GEAR LUBE	63	-
F511125-2	TUBE, STEERING SUPPORT	37	52	F5H002	SPEEDOMETER - FLUSH MOUNT	62	-
F511675	STARTER BRACKET, LOWER	11	13	F5H003	SPEEDOMETER FLUSH MOUNT	62	-
F523031	GASKET, WATER PUMP	43	56	F5H004	SPEEDOMETER FLUSH MOUNT	62	-
F523031	GASKET, WATER PUMP	45	-	F5H005	TEMPERATURE GAUGE - FLUSH MOUNT	62	-
F523057	BEARING, DRIVESHAFT LOWER	43	65	F5H006	VOLTMETER - FLUSH MOUNT	61	-
F523065-1	IMPELLER	45	-	F5H007	HOURMETER - FLUSH MOUNT	62	-
F523065-1	IMPELLER, WATER PUMP	43	58	F5H008	FUEL GAUGE FLUSH MOUNT	62	-
F523094-2	PROPELLER NUT	41	13	F5H010	POWER TRIM INDICATOR	61	-
F523099-1	SPACER, PROPELLER	41	18	F5H012	TACHOMETER FLUSH MOUNT	62	-
F523116	EXHAUST SNOOT	43	37	F5H014	FLUSHING ADAPTER	61	-
F523133-2	MOTOR LEG	35	14	F5H018	DUAL ENGINE TIE BAR	61	-
F523146	SEAL, CRANKSHAFT LOWER	33	13	F5H019	ANTI-CORROSION KIT	61	-
F523188	NUT, BEVEL PINION	43	34	F5H021	EXTENSION CABLE	62	-
F523244	INLET WATER LINE	41	5	F5H025	ANTI-CORROSION SACRIFICIAL ANODE	61	-
F523273	STUD STEERING BALL	35	23	F5H026	FUEL TANK (ACCESSORY ITEM)	47	2
F523274	GREASE FITTING	37	49	F5H026	STEEL, 6 GALLON FUEL TANK (LOW PROFILE)	61	-
F523280	NUT, STEERING SUPPORT TUBE	37	63	F5H028	SENDING UNIT	62	-
F523300-1	SPRING	35	19				
F523411	RETAINING RING, BEARING CAGE	41	22				
F523451	SPACER, REED STOP	23	51				
F523498	DRIVE KEY, WATER PUMP	43	67				
F523498	KEY	45	-				
F523555	SEAL, GEAR HOUSING COVER	45	-				

PARTS INDEX

Part Number	Description	Pg.	Ref. No.	Part Number	Description	Pg.	Ref. No.
F5H029	TANK ANCHOR	61	-	F7008	ELASTIC STOP NUT	25	34
F5H030	SWITCH KIT - RUNNING LIGHTS	63	-	F7012	STOP NUT	35	29
F5H031	SWITCH KIT - SPOT LIGHT	63	-	F7013	STOP NUT	13	2
F5H032	SWITCH KIT - WIPER	63	-	F71H26	BATTERY TERMINAL KIT (ACCESSORY ITEM)	9	57
F5H034	SWITCH KIT - BILGE PUMP	63	-	F74305	SEAL, DRIVESHAFT BEARING CAGE	43	50
F5H035	SWITCH KIT - HORN	63	-	F74305	SEAL, GEAR HOUSING COVER	45	-
F5H036	SWITCH KIT - TACHOMETER TRANSFER	63	-	F762	REMOTE ELECTRIC CABLE	62	-
F5H037	CIGAR LIGHTER	62	-	F8003	PLAIN WASHER	27	40
F5H038	IGNITION SWITCH MOUNTING KIT (ACCESSORY ITEM)	9	49	F8011	PLAIN WASHER	7	20
F5H038	SWITCH KIT - IGNITION SWITCH	63	-	F8028	PLAIN WASHER	11	12
F5H039	SWITCH KIT - INSTRUMENT LIGHTS	63	-	F8038	PLAIN WASHER	27	50
F5H040	STEEL, 12 GALLON FUEL TANK	61	-	F8038	PLAIN WASHER	35	18
F5H041	BATTERY TERMINAL KIT	62	-	F8056	LOCKWASHER	13	18
F5H043	OVERHEAT BUZZER	61	-	F8056	LOCKWASHER	15	43
F5H043	OVERSEAT BUZZER (ACCESSORY ITEM)	7	36	F8056	LOCKWASHER	29	88
F5H044	TILT STOP KIT	62	-	F8056	SPRING LOCKWASHER	7	7
F5H059	CHRYSLER OUTBOARD MULTI-PURPOSE GREASE	63	-	F8058	INTERNAL TOOTH LOCKWASHER	21	24
F5H060	CHRYSLER OUTBOARD GREASE GUN	63	-	F8058	INTERNAL TOOTH LOCKWASHER	27	78
F5H069	RFI SUPPRESSION KIT	62	-	F8077	WASHER	45	-
F5H070	REMOTE ELECTRIC CABLE	62	-	F8077	WASHER, GEAR HOUSING PLUG	43	42
F5H075	WIRING HARNESS - IGNITION SWITCH - 24"	63	-	F8080	HELICAL SPRING LOCKWASHER	35	21
F5H076	SWITCH EXTENSION CABLE	62	-	F8083	SPRING LOCKWASHER	3	18
F5H077	IGNITION KEY SWITCH	62	-	F8083	SPRING LOCKWASHER	9	43
F5H078	IGNITION KEY SWITCH	62	-	F8083	SPRING LOCKWASHER	35	2
F5H078	IGNITION SWITCH (LONG BARREL) W/KEYS AND SCREWS	7	34	F8083	SPRING LOCKWASHER	43	54
F5H079	REMOTE CONTROL BOX	61	-	F8083	SPRING LOCKWASHER	45	-
F5H080	TWIN REMOTE CONTROL BOX	61	-	F8088	PLAIN WASHER	17	18
F5H081	BATTERY CABLE	61	-	F8088	PLAIN WASHER	23	47
F5H094	STEERING LINK	61	-	F8088	PLAIN WASHER	3	16
F5H108	STEERING CONNECTOR	61	-	F8094	PLAIN WASHER	37	74
F5H112	INSTRUMENT ADAPTER - 3-1/2"	62	-	F8094	PLAIN WASHER	25	6
F5H119	PROPELLER SPACER - FLARED	62	-	F8095	PLAIN WASHER	3	27
F5H120	REMOTE CONTROL BACK PLATE	61	-	F8096	SPRING LOCKWASHER	5	33
F5H130	REMOTE CONTROL BOX (SINGLE LEVER) (SURFACE MOUNT)	61	-	F8096	SPRING LOCKWASHER	7	25
F5H131	PORT SIDE DECAL KIT	61	-	F8096	SPRING LOCKWASHER	31	108
F5H132	REMOTE CONTROL HANDLE TRIM SWITCH	62	-	F8096	SPRING LOCKWASHER	39	85
F5H134	BOAT WHITE LACQUER	61	-	F8096	SPRING LOCKWASHER	43	40
F5H146	POWER TILT	62	-	F8104	PLAIN WASHER	25	12
F5H150	POWER TRIM	62	-	F84011	WASHER	37	58
F7004	STOP NUT, 3/8 - 16	27	51	F84074	CLAMP SCREW FOOT	35	35
				F84146-2	SEAL	33	20
				F84278	SEAL	33	23
				F84286-1	FRICTION WASHER	37	56
				F84305	SEAL, O-RING PROPELLER SHAFT SPOOL	41	12
				F84305	SEAL, PROPELLER SHAFT SPOOL	45	-
				F84307-1	SEAL, DRIVESHAFT	45	-
				F84314-2	ELBOW	17	22
				F84314-2	ELBOW	21	6
				F84314-2	ELBOW	27	48
				F84342	SEAL, INLET WATER LINE, UPPER	41	3

PARTS INDEX

Part Number	Description	Pg.	Ref. No.	Part Number	Description	Pg.	Ref. No.
F84449	INTERLOCK SWITCH	23	46	F85704	COUPLER, GEAR SHIFT		
F84472-5	GASKET, CYLINDER DRAIN COVER	25	38		ROD	39	86
F84472-5	GASKET, CYLINDER DRAIN COVER	29	-	F85762	BY-PASS VALVE COVER		
F84504	GROMMET (THERMOSTAT)	29	92	F85762	GASKET, BY-PASS VALVE	29	103
F84521-1	CLUTCH	41	26	F85772	CLAMP	35	7
F84748-3	GASKET	27	46	F85779-1	BAFFLE, AIR INTAKE	37	78
F84748-3	GASKET, CYLINDER DRAIN REED PLATE	29	-	F85843-1	REMOTE ELECTRIC CABLE, 18 FEET	7	38
F84792	GASKET, CENTER FUEL PUMP VALVE	21	11	F85859	STUD	25	17
F84871-1	PIN, GEAR SHIFT W/YOKE	41	24	F85906	CARBURETOR GASKET	21	31
F85017	PISTON PIN	33	4	F85906	GASKET, CARBURETOR	29	-
F85026	SWIVEL	25	18	F85908	STARTER LEAD WIRE	11	9
F85033	SWIVEL, CHOKE ROD (BOTTOM CARBURETOR) (NOT SHOWN)	19	-	F85916-1	BY-PASS VALVE	29	105
F85035	DISTRIBUTOR, CONTROL ROD END	25	20	F85924	CHOKE SOLENOID	7	28
F85036	TOWERSHAFT CONTROL ROD END	25	23	F85965	SHOCK MOUNT UPPER	39	89
F85037-1	STERN BRACKET PIVOT BOLT	37	69	F85991-1	GROMMET	15	45
F85095-2	STATOR	7	3	F89758	FUEL PUMP AIR HOSE - TOP	21	7
F85117	BRACKET, WATER LINE	41	2	F9018	CAP	37	64
F85130	BOOT IDLE EXHAUST	35	5	F9052	PLUG	37	50
F85161-1	REED STOP	21	39	F90619-1	YOKE	45	73
F85173	RETAINING RING	13	6	F90807	RETAINING RING	17	1
F85192-1	THROTTLE CAM	21	28	F9095	SHIM, DRIVESHAFT BEARING UPPER .005 SILVER	43	-
F85211	STUD	27	49	F9097	SHIM, DRIVESHAFT BEARING, UPPER .010 BLACK	43	-
F85258	INSERT	35	4	F9106	SHIM, DRIVESHAFT BEARING, UPPER .003 BRASS	43	66
F85279-2	GASKET, CYLINDER EXHAUST UPPER	27	69	F91446-1	CIRCUIT BREAKER BRACKET	7	21
F85279-2	GASKET, CYLINDER EXHAUST, UPPER	29	-	F92759	THROTTLE ROLLER	17	6
F85300	REVERSE LOCK SPRING	37	46	F93811	SCREEN	27	45
F85311	DISTRIBUTOR BELT	13	1	F93920	REED STOP	27	41
F85314-1	FUEL FITTING	17	30	F97772	CLAMP	17	23
F85317-1	SOLENOID CLAMP	21	21	F97772	CLAMP, FUEL LINE	47	11
F85350-1	TILT STOP PIVOT	35	25	F98273	ROD END CONNECTOR STUD	27	77
F85372	PIN, GEAR SHIFT ROD LOWER	43	47	FA14048-2	PREAMPLIFIER	13	17
F8538	SPRING PIN	35	37	FA15072	HEX LOCK NUT, 1/4 - 20 W/WASHER	11	8
F85380	SPRING	35	6	FA17559	LIFT CYLINDER COMPLETE	53	47
F85410	SNAP RING	33	8	FA17561-1	O-RING	55	51
F85445	CONTROL ROD	25	22	FA178157	CARBURETOR ADAPTER, UPPER	21	-
F85498	FLYWHEEL KEY	33	16	FA178167	CARBURETOR ADAPTER, LOWER	21	33
F85502	THROTTLE LINK	25	28	FA178233	THROTTLE TIE BAR W/SWIVEL	19	53
F85509-1	LINK, CHOKE	17	25	FA178962	SHOCK ABSORBER	55	55
F85541-1	TILT LOCK	35	27	FA178962	SHOCK ABSORBER W/BUSHING	35	40
F85571	BEARING CAGE W/ROLLER	33	10	FA321574	DISTRIBUTOR BRACKET	13	10
F85606	KINGPIN CAP	37	82	FA335260	PISTON RING SET (3 PER SET)	33	1
F85610	BEARING	27	59	FA368700	KEY, IGNITION - NO LETTER OR STAMPED A	9	53
F85615	GEAR SHIFT ROD UPPER	39	88				
F8563	DOWEL PIN	25	16				
F85634-2	CONNECTING ROD SCREW	33	14				
F85660-1	EXHAUST TUBE	35	1				
F85664	DISTRIBUTOR GROUND	13	28				
F85664	GROUND WIRE	9	54				

PARTS INDEX

Part Number	Description	Pg.	Ref. No.	Part Number	Description	Pg.	Ref. No.
FA411222	TRANSFER PORT COVER	27	53	FK1069	WATER PUMP KIT	45	75
FA438113	STERN BRACKET LOCK BAR	37	65	FK405020	SWIVEL	25	32
FA438431	FUEL PUMP BODY	21	12	FK550128	DRIVESHAFT	45	68
FA439493	TERMINAL BLOCK BRACKET	7	11	FK750-2	SPARKIE	15	44
FA439746	FUEL PUMP COVER	21	1	FK85228-1	BEARING CAGE W/ROLLER	33	7
FA449015	PISTON	53	35	FO10165	INLET SEAT GASKET	17	39
FA449149	COVER ASSEMBLY W/SEALS AND RETAINER	53	33	FO10588	BODY CHANNEL CUP PLUG	17	9
FA480179	TRIM TOP	3	1	FO10790	INLET NEEDLE, SEAT AND GASKET	17	38
FA480269	TILT HANDLE	3	3	FO11103	IDLE MIXTURE SCREW SPRING	19	46
FA480876	GEAR SHIFT ARM	27	61	FO13191	MAIN FUEL JET. OPT..076 3000 FT. - 4500 FT.	19	-
FA480894	TIMING POINTER	25	2	FO13194	MAIN FUEL JET. STD..080 SEA LEVEL - 1500 FT.	19	48
FA481469	HANDLE W/SHAFT	3	13	FO13552	FUEL BOWL	17	33
FA481743	ROLLER BRACKET ASSEMBLY	3	32	FO13554	FLOAT	17	37
FA510497	TERMINAL BLOCK	7	15	FO13555	CHOKE SHUTTER	17	44
FA523014	CRANKSHAFT LOWER MAIN BEARING	33	12	FO13942	THROTTLE SHUTTER	17	11
FA523054	GEAR HOUSING	43	33	FO13944	FLOAT LEVER PIN	17	36
FA523098	PROPELLER SHAFT ASSEMBLY	41	23	FO13945	FUEL BOWL RETAINING SCREW	17	31
FA523485	ANTICORROSION ANODE	41	20	FO13946	IDLE MIXTURE SCREW	19	45
FA523735	SEAL, INLET WATER LINE, LOWER	43	64	FO13947	CHOKE SHAFT RETURN SPRING	17	41
FA552180	TILT HANDLE	3	4	FO14303	MAIN FUEL JET. OPT..074 4500 FT. - 6000 FT.	19	-
FA552888	TRIM FRONT	5	37	FO14306	MAIN FUEL JET. OPT..0785 1500 FT. - 3000 FT.	19	-
FA552944	ENGINE COVER	3	6	FO15026	MAIN FUEL JET. OPT..072 6000 FT. & UP.	19	-
FA58976-1	CONNECTOR, THROTTLE CABLE	49	1	FO15217	MAIN NOZZLE	17	35
FA612386	DECAL, NUMERAL	3	12	FO15231	THROTTLE SHAFT AND LEVER	17	7
FA612396	DECAL, STARBOARD	3	-	FO15623	FUEL BOWL GASKET	17	42
FA612397	DECAL, PORT	3	11	FO16008	THROTTLE SHAFT RETURN SPRING	17	8
FA84621-1	COUPLING, GEAR SHIFT ARM W/BUSHING	43	44	FO17181	IDLE TUBE	19	52
FA84754-1	FUEL LINE SHORT	47	8	FO17241	CHOKE SHAFT AND LEVER	17	40
FA85019	KINGPIN	37	43	FO1974	SCREW	19	51
FA85193	TIE BAR END W/SWIVEL	17	2	FO2510	FUEL BOWL RETAINING SCREW GASKET	17	32
FA85355-1	WASHER	39	92	FO3804	RETAINING SCREW WASHER	17	14
FA85655-1	CRANKSHAFT MAIN BEARING RACE	33	9	FO4326	BODY CHANNEL WELCH PLUG	17	13
FB368700	KEY, IGNITION - STAMPED B	9	-	FO6393	RETAINING SCREW	17	16
FC368700	KEY, IGNITION - STAMPED C	9	-	FO6396	RETAINING SCREW LOCKWASHER	17	15
FC409398	DECAL, TOTE TANK - CANADA (NOT SHOWN)	47	-	FO8942	CHOKE SHUTTER RETAINING SCREW AND LOCKWASHER	17	43
FC438398	DECAL WIRING - CANADA	29	-	FO8942	THROTTLE SHUTTER RETAINING SCREW AND LOCKWASHER	17	12
FC474387	TIMING DECAL - CANADA	9	-	FO9678	CLIP, CHOKE SHAFT	19	49
FC500390	DECAL, STARTER - CANADA (NOT SHOWN)	11	-	FO992	LOCKWASHER	19	50
FC510374	DECAL, CIRCUIT BREAKER - CANADA	7	-	FPS524	PROPELLER (ACCESSORY ITEM)	41	17
FC529390	DECAL, REVERSE LOCK - CANADA (NOT SHOWN)	37	-	FS409752	FUEL LINE COMPLETE	47	-
FC552010	SHORT BLOCK.	25	-				
FC555054	GEAR HOUSING COMPLETE	43	-				
FD368700	KEY, IGNITION - STAMPED D	9	-				
FE368700	KEY, IGNITION - STAMPED E	9	-				
FG1019	GASKET SET	29	106				
FK1063-1	SEAL KIT	45	74				

PARTS INDEX

Part Number	Description	Pg.	Ref. No.	Part Number	Description	Pg.	Ref. No.
FS85872-1	BRACKET	27	75	FT8985	SEAL INSTALLER	58	-
FSA335260	PISTON RING (3 PER SET) .010 OVERSIZE (NOT SHOWN)	33	-	FT8997	SHIMMING TOOL	58	-
FT1082	SNAP RING PLIER	57	-	FTA2937-1	TIMING TOOL	56	-
FT11204	BEARING CUP INSTALLER ..	58	-	FTK8999	TEST WHEEL	59	-
FT11205	BEARING INSTALLER/REMOVER ..	58	-	OB3061	LITERATURE (NOT SHOWN)	51	-
FT11207	BEARING CUP REMOVER ..	58	-	22-818103--1	ELBOW, CYLINDER DRAIN LOWER	25	36
FT11209	BEARING GUIDE SET	58	-	31-817785A2	CRANKSHAFT BEARING CAGE	33	18
FT2938-1	TEST LIGHT	59	-	32-77653-77	BALANCE TUBE	21	34
FT2951	CIRCUIT TRACER	59	-	32-817738A1	FUEL LINE LONG	47	10
FT2953	SOCKET	57	-	33-97180	SPARK PLUG (CHAMPION L20V) - USA	29	86
FT2961	LUBRICANT - RYKON #2EP	60	-	39-818110A1	PISTON RING (3 PER SET) .030 OVERSIZE (NOT SHOWN)	33	-
FT2962-1	SEALANT - 50 CC LOCTITE H, NON-HARDENING GRADE	60	-	43-817854A2	BEVEL PINION GEAR	43	35
FT2963-1	SEALANT - 2 OZ. LOCTITE D, HARDENING GRADE ..	60	-	46-817853A1	WATER PUMP	45	-
FT2987-1	LUBRICANT - ANTI-SEIZE ..	60	-	46-817853A1	WATER PUMP BODY	43	59
FT2990	PISTON PIN TOOL	57	-	84-817775A1	COIL WIRE	13	29
FT2991	CARBON BRUSH	57	-	87-817778A1	THERMOSWITCH	29	87
FT2996	RING COMPRESSOR	57	-	300-817855A1	UNIT	9	45
FT2998	TORQUE WRENCH (0-100 LBS./FT.)	57	-	400-817735A4	CRANKSHAFT	33	15
FT2999	TORQUE WRENCH (0-600 LBS./IN.)	57	-	600-818052A4	CONNECTING ROD	33	6
FT3012	SEAL INSTALLER	58	-	700-817988A2	PISTON .010 OVERSIZE (NOT SHOWN)	33	-
FT7848	TORQUING ADAPTER	58	-	700-818111A2	PISTON .030 OVERSIZE (NOT SHOWN)	33	-
FT8900	HOSE CLAMP PLIERS	57	-	700-F372015-3	PISTON	33	2
FT8901	INDICATOR HOLDER	58	-	900-817832A2	CYLINDER HEAD	27	80
FT8902	DIAL INDICATOR	58	-	1400-817958A6	STERN BRACKET	35	28
FT8903	SEAL INSTALLER	57	-				
FT8907	DRIVE HANDLE	57	-				
FT8907	DRIVER HANDLE	58	-				
FT8914	SEAL REMOVER	57	-				
FT8918	BEARING GUIDE SET	58	-				
FT8919	SPRING PIN PUNCH	58	-				
FT8925	SEAL INSTALLER	57	-				
FT8925	SEAL INSTALLER	58	-				
FT8926	RING EXPANDER	57	-				
FT8927	SEAL PROTECTOR	57	-				
FT8930-1	FEELER GAUGE SET	58	-				
FT8933	LIFTING HOOK	57	-				
FT8935	SEALANT PRIMER - 6 OZ. ..	60	-				
FT8936-1	SEALANT - 2 CC LOCTITE RETAINING COMPOUND #75	60	-				
FT8948-1	PULLER	56	-				
FT8948-1	PULLER	58	-				
FT8950	LEAKAGE TESTER	59	-				
FT8953	IGNITION TESTER	59	-				
FT8955	SEALANT - 5 OZ. EC-750 INDUSTRIAL SEALANT ..	60	-				
FT8957	SEAL INSTALLER	58	-				
FT8969	LUBRICANT - 7 OZ. LPSI LUBRICANT	60	-				
FT8978	POWER TIMING LIGHT	56	-				