



# PARTS CATALOG

## 35 H.P.

SERIAL NUMBER

35 (1981) ..... 353H1N

# TABLE OF CONTENTS:

ACCESSORIES .....	46
CARBURETOR .....	14
CRANKSHAFT AND PISTON GROUP .....	24
ENGINE COVER AND SUPPORT PLATE .....	2
FUEL PUMP .....	12
FUEL TANK AND LINE .....	38
GEAR HOUSING .....	34
HAND STARTER .....	10
MAGNETO .....	8
MOTOR LEG .....	28
PARTS INDEX .....	47
POWER HEAD .....	18
REED PLATE .....	26
SPECIAL TOOLS - GEAR HOUSING .....	43
SPECIAL TOOLS - LUBRICANTS AND SEALANTS .....	45
SPECIAL TOOLS - MANUAL STARTER .....	41
SPECIAL TOOLS - POWER HEAD .....	42
SPECIAL TOOLS - TEST EQUIPMENT .....	44
SPECIAL TOOLS - TUNE-UP .....	40

**NOTE:** Indented description indicate that these parts are included in preceeding assembly.

**AR** = As Required

**NSS** = Not Sold Separate

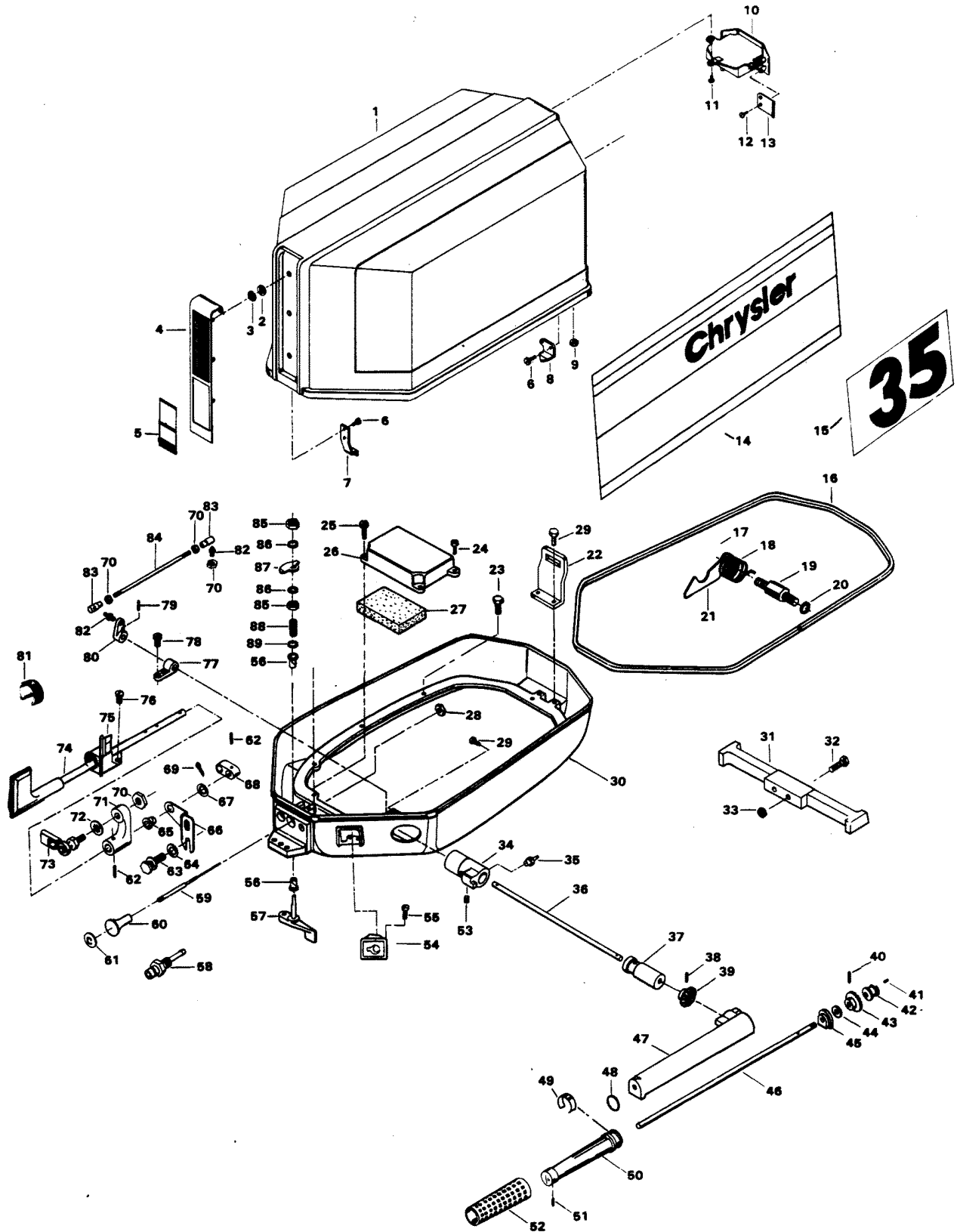
**OPT** = Optional

**NS** = Not Shown

**THESE PARTS BOOKS/FICHE CARD ARE COPYRIGHTED AND MAY NOT BE DISTRIBUTED OR REPRODUCED IN ANY OTHER FORMAT BY ANYONE OTHER THAN MERCURY MARINE WITHOUT THE PRIOR WRITTEN CONSENT OF MERCURY MARINE.**

THIS PAGE INTENTIONALLY LEFT BLANK

# ENGINE COVER AND SUPPORT PLATE

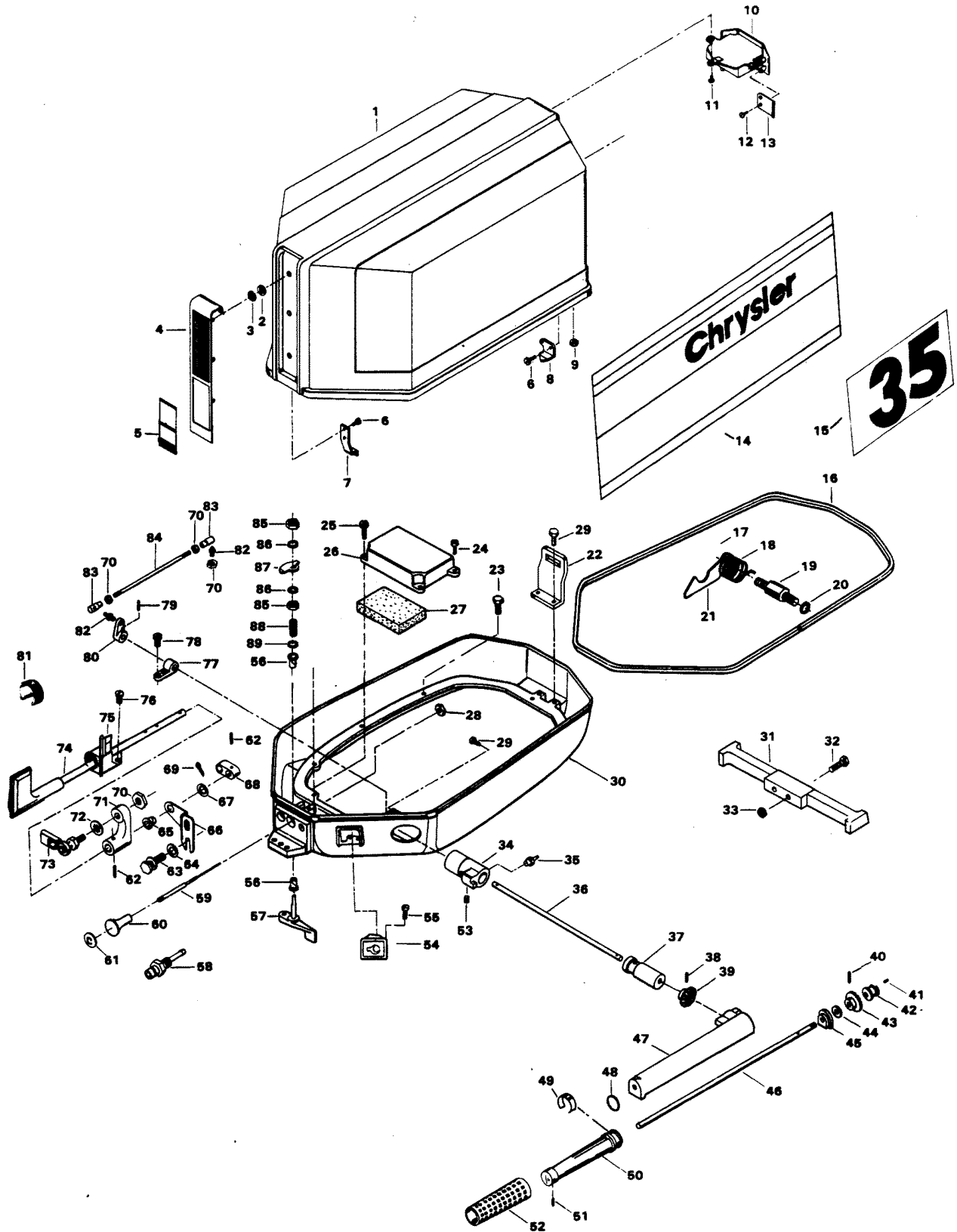


# ENGINE COVER AND SUPPORT PLATE

REF. NO.	PART NO.	SYM.	QTY.	DESCRIPTION
1	FS606712		1	ENGINE COVER W/ILLUS. 6, 7, 8 AND 9 ORIGINAL FORCE P/N S 486712-1
-	<b>2C605712</b>		1	<b>ENGINE COVER COMPLETE INCLUDES ALL ITEMS MARKED WITH AN ASTERISK (*) NOTE: THE NUMERAL DECAL IS NOT PART OF THIS COVER. IT MUST BE ORDERED SEPARATELY</b>
2	F1753		3	FASTENER
3	F85735-1		3	SEAL
4	F605711		1	PLATE, FRONT
5	FA605892		1	DECAL, ENGINE COVER FRONT W/LITERATURE
6	F1979		4	FILL HD SCREW, 10 - 24 X 1/2
7	FA366778		1	ENGINE COVER RETAINER, FORWARD W/ILLUS. 6 AND 9
8	FA458480		1	ENGINE COVER RETAINER W/ILLUS. 6 AND 9
9	F7011		4	HEX NUT, 10 - 24
10	817814A1		1	TILT HANDLE W/LITERATURE ORIGINAL FORCE P/N A 463269-1
11	F2025		1	PAN HD SCREW, 10 X 3/8
12	F2066		4	PAN HD SELF - TAPPING SCREW, 10 - 7/16
13	F463864		2	RETAINER, TILT HANDLE
14	FA605397		1	DECAL, ENGINE COVER - PORT W/LITERATURE
-	<b>FA605396</b>		1	<b>DECAL, ENGINE COVER - STARBOARD W/LITERATURE</b>
15	FA605386		2	DECAL, NUMERAL W/LITERATURE
16	F85756		1	SUPPORT PLATE PACKING
17	F7006		1	HEX NUT, 5/16 - 18
18	F367300		1	SPRING SHIFT DETENT
19	F328819		1	SWIVEL SHIFT DETENT
20	F8060		1	INTERNAL TOOTH LOCKWASHER
21	F328884		1	DETENT, SHIFT ARM
22	F458774		1	BRACKET, RETAINER REAR
23	F1864		8	HEX CAP SCREW, 1/4 - 20 X 3/4
24	F1864		2	HEX HD SCREW, 1/4 - 20 X 3/4
25	F1532		2	HEX HD SCREW, 1/4 - 20 X 1
26	FA307779		1	BAFFLE, AIR INTAKE ASSEMBLY W/ILLUS. 27
27	F307860		1	INTAKE SILENCER
28	F1738		1	HEX NUT, 3/8 -24
29	F1864		6	HEX CAP SCREW, 1/4 - 20 X 3/4
30	818054A1		1	SUPPORT PLATE W/PLUG
31	F366824		1	CARRYING HANDLE
32	F1603		2	HEX BOLT, 5/16 - 18 X 2
33	F1892		2	STOP NUT, 5/16 - 18
34	F328703-1		1	STEERING HANDLE ADAPTER
35	F213274		1	GREASE FITTING
36	F338877		1	MAGNETO CONTROL SHAFT
37	F328692		1	PIVOT TUBE
38	F8538		1	SPRING PIN

CONTINUED ON NEXT PAGE ➡

# ENGINE COVER AND SUPPORT PLATE

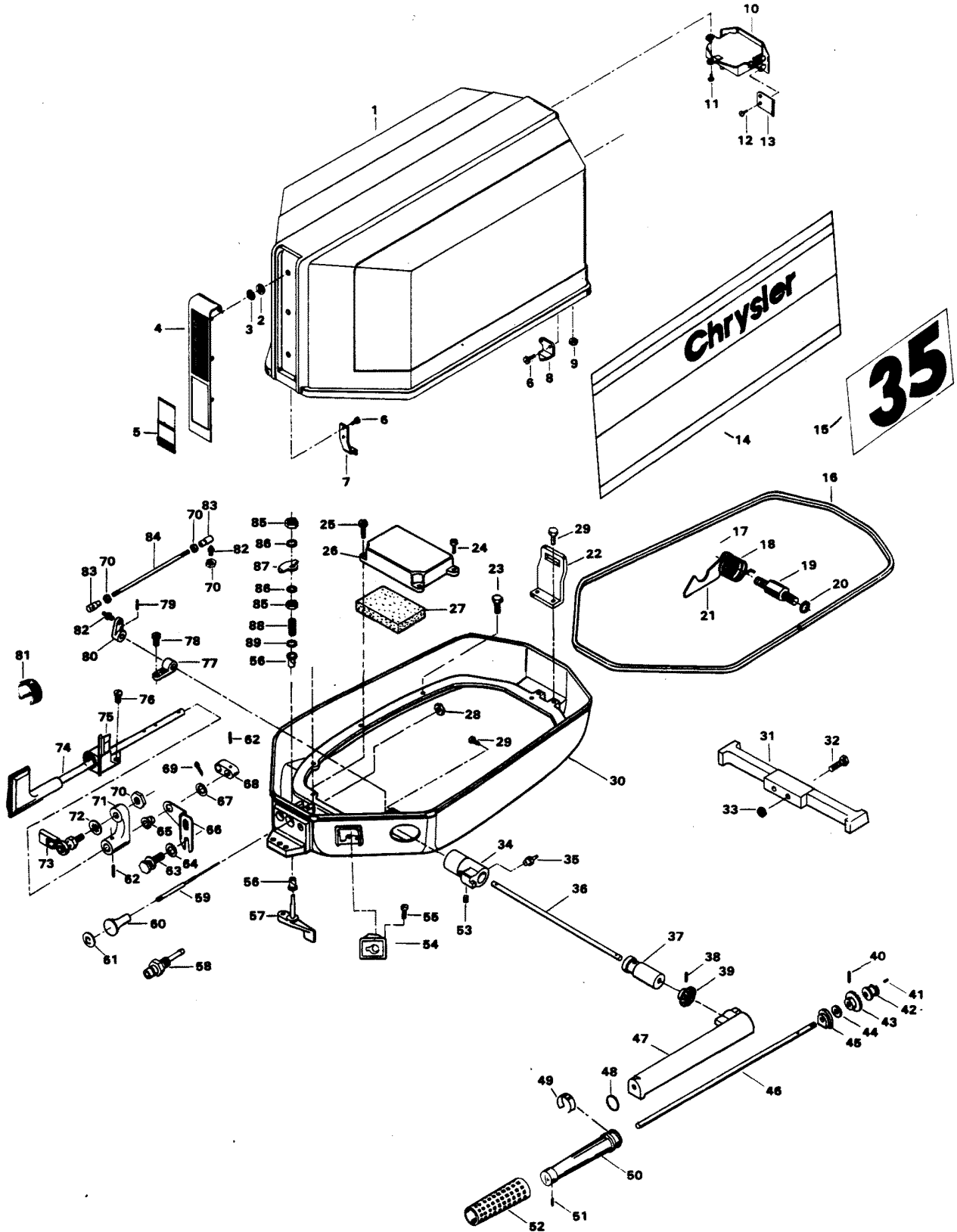


# ENGINE COVER AND SUPPORT PLATE

REF. NO.	PART NO.	SYM.	QTY.	DESCRIPTION
39	F338815		1	STEERING HANDLE GEAR
40	F8538		1	SPRING PIN
41	F1277		1	SLOTTED OVAL HD SET SCREW 1/4 - 28 X 3/8
42	F307689-1		1	STEERING HANDLE CONTROL SHAFT BEARING
43	F338815		1	STEERING HANDLE GEAR
44	F1955		1	PLAIN WASHER
45	F40816-1		1	STEERING HANDLE CONTROL SHAFT THRUST BEARING
46	F433688		1	SHAFT, STEERING HANDLE
47	F2A338079		1	STEERING HANDLE <b>INCLUDING ITEMS 36, 37, 38, 39 AND 48</b>
48	F53795-1		2	DAMPENER
49	F286894-3		1	STEERING HANDLE INDICATOR
50	FA456137		1	STEERING HANDLE GRIP <b>W/ILLUS. 52</b>
51	F8548		1	SPRING PIN
52	F458695		1	SLEEVE, STEERING HANDLE
53	FA901839		1	STEERING HANDLE FRICTION SCREW W/SPRING AND BUTTON
54	FA366953		1	BUSHING, STARTER HANDLE W/INSERT
55	F1733		1	PAN HD SCREW, 10 - 24 X 9/16
56	F307818		2	BEARING, LATCH SHAFT
57	FA328763		1	LATCH SHAFT W/HANDLE
58	F434767		1	BUSHING
59	F433503		1	CHOKE CABLE
60	FA286547		1	CHOKE KNOB <b>W/ILLUS. 61 AND RETAINER</b>
61	F458677		1	INSERT, CHOKE KNOB
62	F1836		2	SPRING PIN
63	F2008		1	HEX HD SCREW W/LOCKWASHER, 1/4 - 20 X 7/8
64	F8028		1	PLAIN WASHER
65	F85610		1	BEARING
66	F433612		1	BRACKET, SHIFT ROD
67	F8032		1	PLAIN WASHER
68	817794A1		1	GEAR SHIFT ARM <b>W/ROLLER, PIN AND ILLUS. 65 ORIGINAL FORCE P/N A 434876-1</b>
69	F1017		1	COTTER PIN
70	F1513		4	HEX NUT, 10 - 32
71	F485005		1	INTERLOCK LEVER ARM
72	F8058		1	INTERNAL TOOTH LOCKWASHER
-	<b>F191993-1</b>		<b>1</b>	<b>BRACKET, CHOKE CABLE (NOT SHOWN)</b>
73	817747--1		1	BALL JOINT W/BEARING
74	818059A1		1	GEAR SHIFT ROD <b>W/ILLUS. 81 ORIGINAL FORCE P/N 2A 463614-1</b>
75	F328189-1		1	BUSHING, GEAR SHIFT ROD
76	F1733		2	PAN HD SCREW, 10 - 24 X 9/16
77	F366813		1	BEARING
78	F2001		2	FILL HD SCREW, 10 - 24 X 5/8

CONTINUED ON NEXT PAGE ➡

# ENGINE COVER AND SUPPORT PLATE

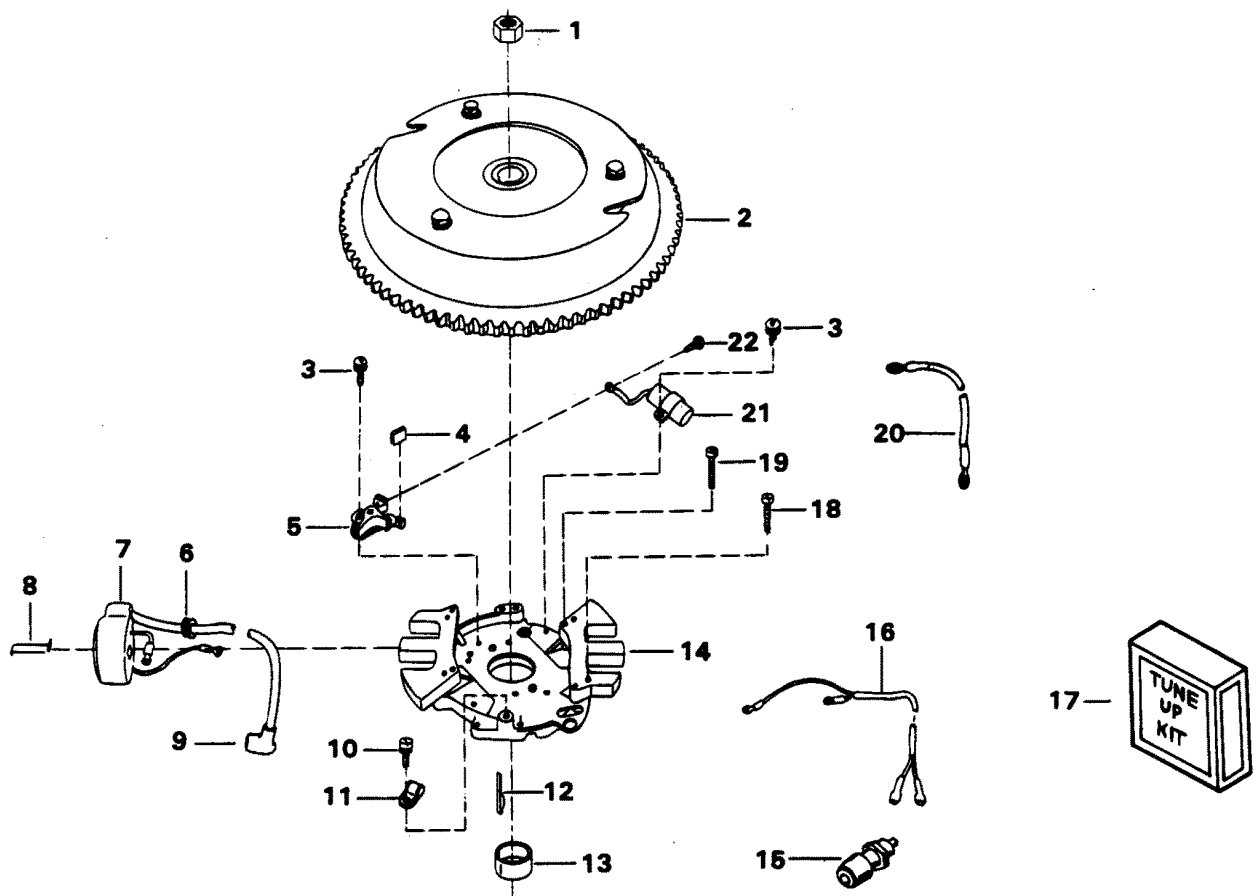




# ENGINE COVER AND SUPPORT PLATE

REF. NO.	PART NO.	SYM.	QTY.	DESCRIPTION
79	F8540		1	SPRING PIN
80	F328438		1	MAGNETO CONTROL ARM
81	F461400		1	GEAR SHIFT INDICATOR
82	F98273		2	ROD END CONNECTOR STUD
83	F58685-2		2	ROD END CONNECTOR, MAGNETO CONTROL
84	F307809-1		1	MAGNETO CONTROL ROD
85	F1515		2	HEX NUT, 5/16 - 18
86	F8096		2	SPRING LOCKWASHER
87	F89777-1		1	LATCH CAM
88	F183300		1	SPRING
89	F1987		1	PLAIN WASHER

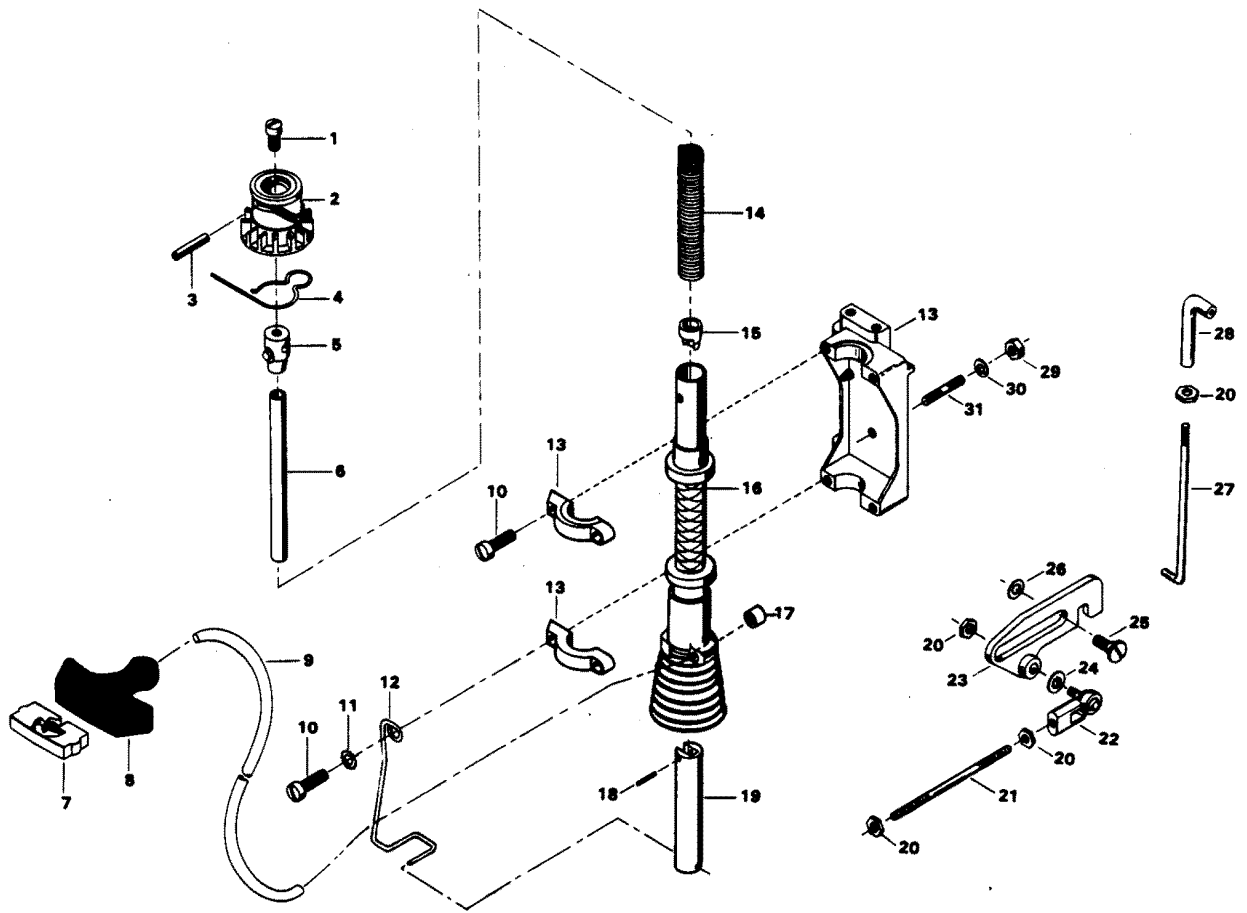
# MAGNETO



# MAGNETO

REF. NO.	PART NO.	SYM.	QTY.	DESCRIPTION
1	F1920		1	HEX NUT, 5/8 - 18
2	F93097-6		1	FLYWHEEL
3	F12014		6	BREAKER POINT AND CONDENSER MOUNTING SCREW, 8 - 32 X 3/8
4	F12227		2	CAM WIPER FELT
5	F12044		2	BREAKER POINT SET
6	F12050		2	GROMMET
7	F12057		2	COIL W/LEAD WIRE, SPARKIE AND GROMMET
8	F12053		2	COIL RETAINING CLIP
9	FK750-2		2	SPARKIE KIT
10	F12016		1	CABLE CLIP SCREW, 8 - 32 X 1/2
11	F12246		1	CABLE CLIP
12	F92498		1	KEY
13	F93002		1	CAM
14	F12342		1	STATOR PLATE WITHOUT LAMINATIONS
15	F436449		1	SHORTING SWITCH
16	F12059		1	PRIMARY TERMINAL WIRE
17	FK1077		1	TUNE-UP KIT <b>INCLUDES ALL ITEMS MARKED WITH AN ASTERISK (*)</b>
18	F12023		2	LAMINATION SCREW, 10 - 24 X 1
19	F1926		2	LAMINATION SCREW, 8 - 32 X 7/8
20	F460664		1	WIRE, STATOR GROUND
21	F12042-1		2	CONDENSER W/MOUNT
22	F1300		2	BREAKER POINT TERMINAL SCREW, 6 - 32 X 3/8
-	<b>F94914</b>		<b>1</b>	<b>SLEEVE, STATOR WIRE (NOT SHOWN)</b>
-	<b>F12341</b>		<b>2</b>	<b>COIL LAMINATIONS (NOT SHOWN)</b>
-	<b>300-818002A2</b>		-	<b>STATOR COMPLETE INCLUDES ALL ITEMS WITH A DOUBLE ASTERISK (**). ORIGINAL FORCE P/N S 338095-2</b>

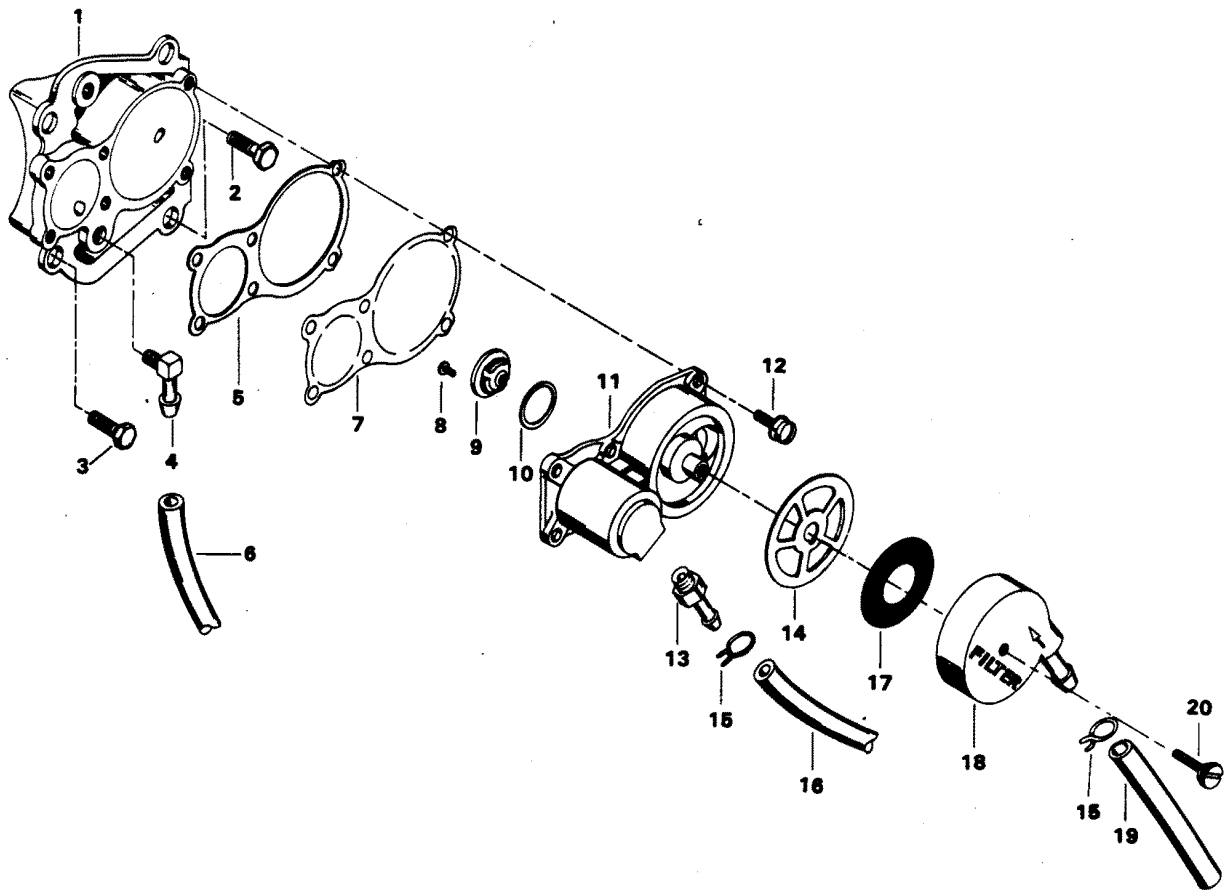
# HAND STARTER



# HAND STARTER

REF. NO.	PART NO.	SYM.	QTY.	DESCRIPTION
1	F1097		1	FILL HD SCREW, 1/4 - 20 X 3/8
2	F487674		1	STARTER PINION GEAR
3	F40425		1	STARTER PINION PIN
4	F485424		1	SPRING, STARTER PINION
5	F901739		1	STARTER REWIND SPRING DRIVE
6	F328710		1	STARTER ROPE GUIDE POST
7	F2042		1	WASHER, PLAIN
8	F286132		1	STARTER ROPE HANDLE
9	F328232		1	STARTER ROPE
10	F1111		4	FILL HD SCREW, 1/4 - 20 X 7/8
11	F8060		1	EXTERNAL TOOTH LOCKWASHER
12	F328455		1	STARTER ROPE GUIDE
13	A486427		1	STARTER MOUNTING BRACKET <b>W/CAPS AND ILLUS. 10</b>
14	F901970		1	SPRING STARTER REWIND
15	F191737		1	RETAINER, STARTER SPRING
16	F328239		1	STARTER SPOOL
17	F24333		1	END, STARTER ROPE
18	F8540		1	SPRING PIN
19	F191971		1	STARTER RETAINER EXTENSION
20	F1513		4	HEX NUT, 10 - 32
21	F478502		1	LINK
22	817747--1		1	BALL JOINT W/BEARING
23	F485781		1	STARTER INTERLOCK LOCK
24	F8058		1	INTERNAL TOOTH LOCKWASHER
25	F369887		2	INTERLOCK SCREW
26	F8028		2	PLAIN WASHER
27	F486531		1	STARTER INTERLOCK ROD
28	F485971		1	STARTER SPRING EXTENSION
29	F1515		3	HEX NUT, 5/16 - 18
30	F8096		3	SPRING LOCKWASHER
31	F307211		3	STUD
-	<b>FA27232</b>		<b>1</b>	<b>EMERGENCY STARTER ROPE (NOT SHOWN) W/HANDLE</b>

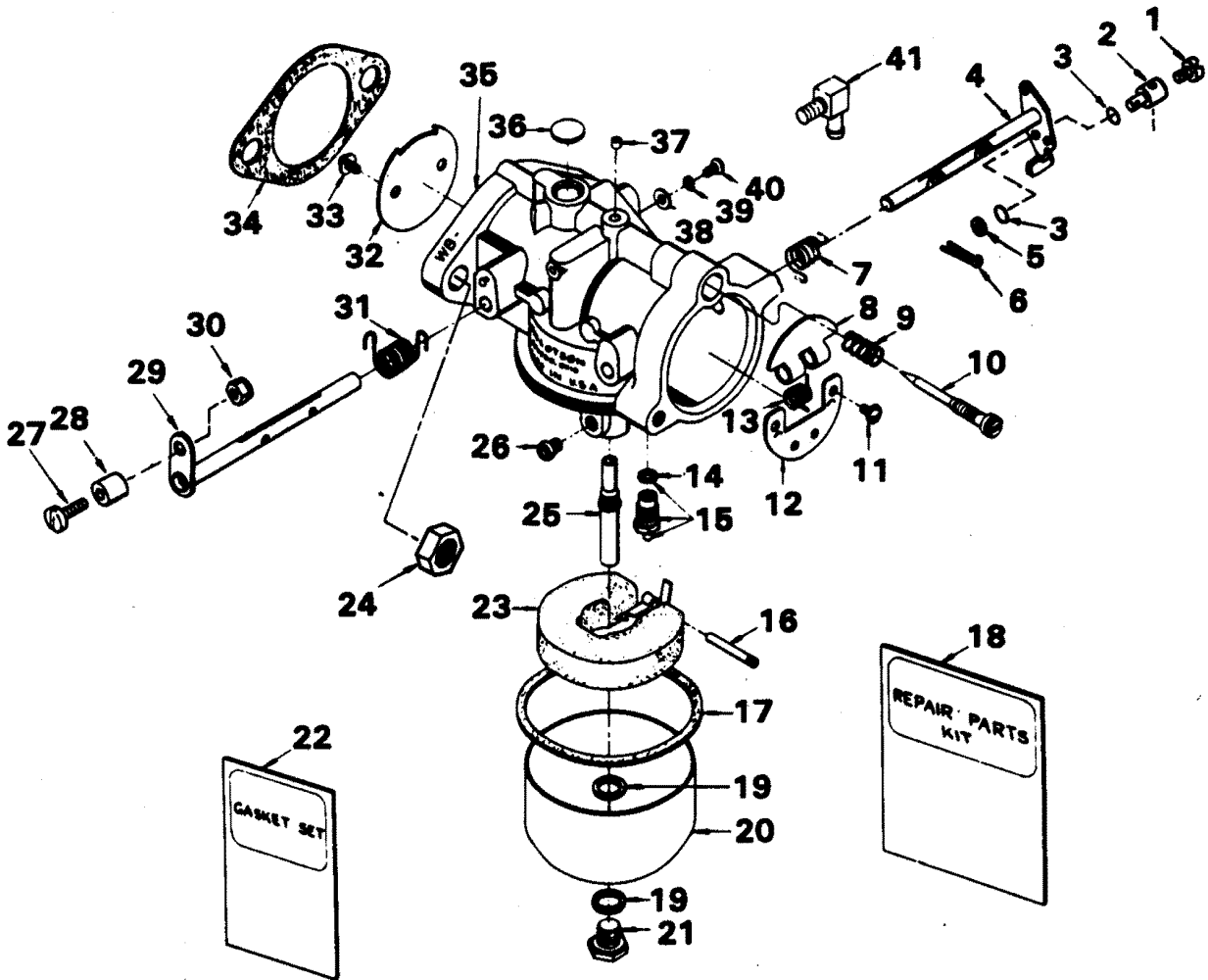
# FUEL PUMP



# FUEL PUMP

REF. NO.	PART NO.	SYM.	QTY.	DESCRIPTION
1	FA439746		1	FUEL PUMP COVER <b>W/LITERATURE</b>
2	F1922		1	HEX HD SCREW, 1/4 - 20 X 5/8
3	F1922		3	HEX CAP SCREW, 1/4 - 20 X 5/8
4	F84314-2		1	ELBOW
5	F438760		1	FUEL PUMP GASKET
6	F434758		1	FUEL PUMP IMPULSE HOSE
7	F438747		1	FUEL PUMP DIAPHRAGM
8	F1860		2	ROUND HD SCREW, 6 - 32 X 1/4
9	F177330		3	FUEL PUMP VALVE
10	F84792		1	FUEL PUMP VALVE GASKET (CENTER VALVE)
11	FA438431		1	FUEL PUMP BODY W/VALVES
12	F1108		6	FILL HD SCREW W/LOCKWASHER
13	F438801		1	ELBOW
14	F438617		1	FUEL SEDIMENT BOWL GASKET
15	F97772		4	FUEL LINE CLAMPS
16	F434754		1	FUEL LINE, PUMP TO CARBURETOR
17	F438653		1	FUEL PUMP SCREEN
18	FA438500		1	FUEL SEDIMENT BOWL <b>W/ILLUS. 20</b>
19	F434754		1	HOSE BUSHING TO FUEL PUMP
20	F438165		1	SCREW, FUEL BOWL
-	<b>F286772-1</b>		<b>1</b>	<b>CLAMP (FUEL PUMP TO CARBURETOR - NOT SHOWN)</b>

# CARBURETOR



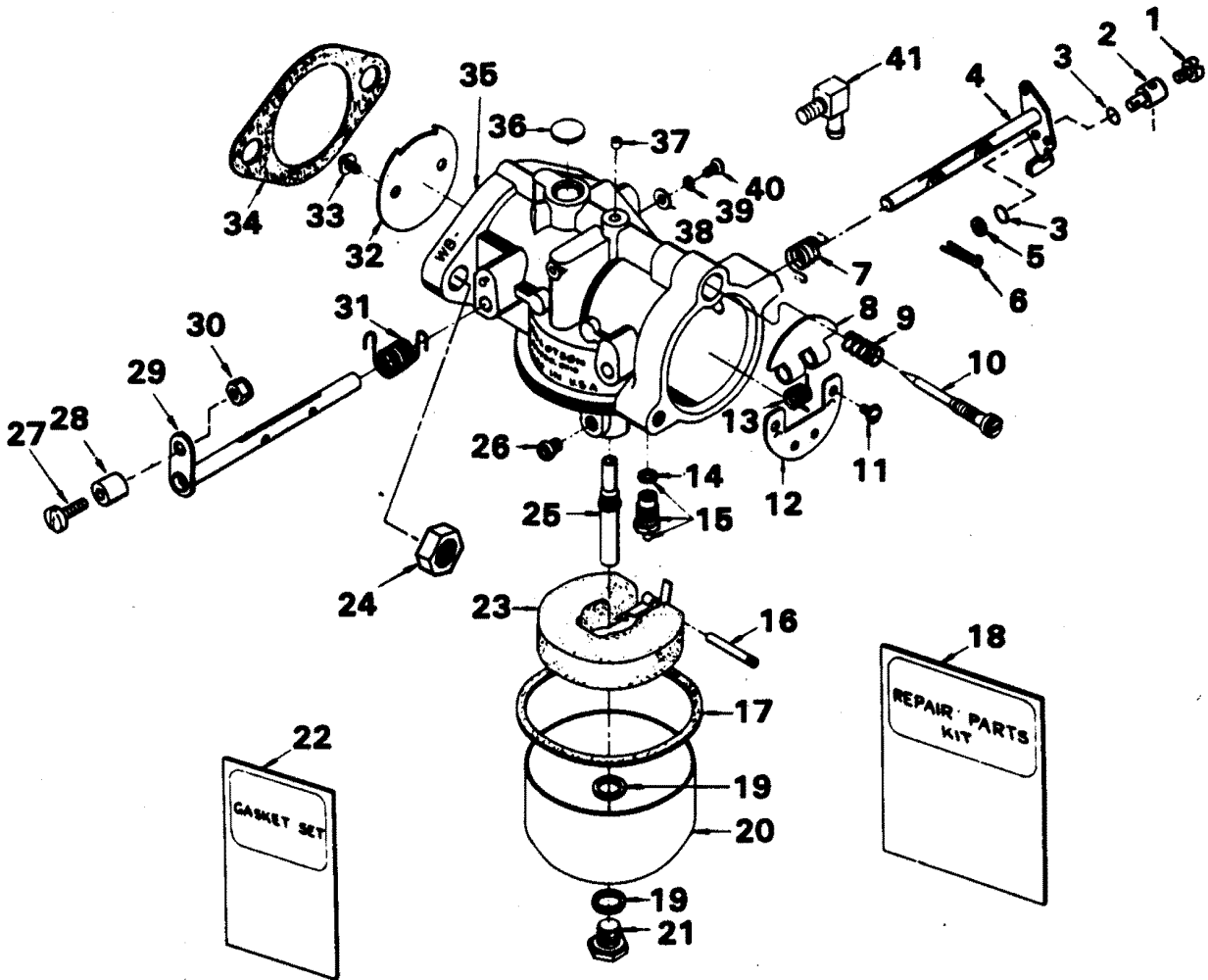


# CARBURETOR

REF. NO.	PART NO.	SYM.	QTY.	DESCRIPTION
1	F1059		1	FILL HD SCREW, 6 - 32 X 1 - 4
2	F184033-1		1	SWIVEL, CHOKE ROD
3	F184579		2	SEAL, CHOKE ARM SWIVEL
4	FO16383		1	CHOKE SHAFT AND LEVER
5	F8088		1	PLAIN WASHER
6	F1014		1	COTTER PIN
7	FO16385		1	CHOKE SHAFT RETURN SPRING
8	FO12251		1	CHOKE RELIEF VALVE
9	FO11103		1	IDLE MIXTURE SCREW SPRING
10	FO13946		1	IDLE MIXTURE SCREW
11	FO10280		2	CHOKE SHUTTER RETAINING SCREW AND LOCKWASHER
12	FO12250		1	CHOKE SHUTTER
13	FO10883		1	CHOKE RELIEF VALVE SPRING
14	FO10165		1	INLET SEAT GASKET
15	FO10790		1	INLET NEEDLE, SEAT AND GASKET
16	FO13944		1	FLOAT LEVER PIN
17	FO15623		1	FUEL BOWL GASKET
18	F10019		1	REPAIR PARTS KIT <b>INCLUDES ALL ITEMS MARKED WITH AN ASTERISK (*)</b>
19	FO2510		2	FUEL BOWL RETAINING SCREW GASKET
20	FO13552		1	FUEL BOWL
21	FO13945		1	FUEL BOWL RETAINING SCREW
22	FK10000		1	GASKET SET <b>W/ILLUS. MARKED WITH A DOUBLE ASTERISK (**)</b>
23	FO13554		1	FLOAT
24	F1515		2	HEX NUT, 5/16 - 18
25	FO16251		1	MAIN NOZZLE
26	FO15406		1	MAIN FUEL JET .090 (STD.)
-	<b>FO13193</b>		-	<b>MAIN FUEL JET .088 (OPT.) 1250 - 3750 FEET</b>
-	<b>FO13949</b>		-	<b>MAIN FUEL JET .086 (OPT.) 3750 - 6250 FEET</b>
-	<b>FO14302</b>		-	<b>MAIN FUEL JET .084 (OPT.) 6250 - 8250 FEET</b>
27	F333316		1	THROTTLE ROLLER SHAFT
28	F92759		1	ROLLER
29	FO15728		1	THROTTLE SHAFT AND LEVER
30	F1997		1	STOP NUT, 10 - 24
31	FO14292		1	THROTTLE SHAFT RETURN SPRING
32	FO16119		1	THROTTLE SHUTTER
33	FO8942		2	THROTTLE SHUTTER RETAINING SCREW AND LOCKWASHER
34	F40906-1		1	FLANGE GASKET
35	F433061-2		1	CARBURETOR COMPLETE (WB-17C)
36	FO4326		1	BODY CHANNEL WELCH PLUG

CONTINUED ON NEXT PAGE ➡

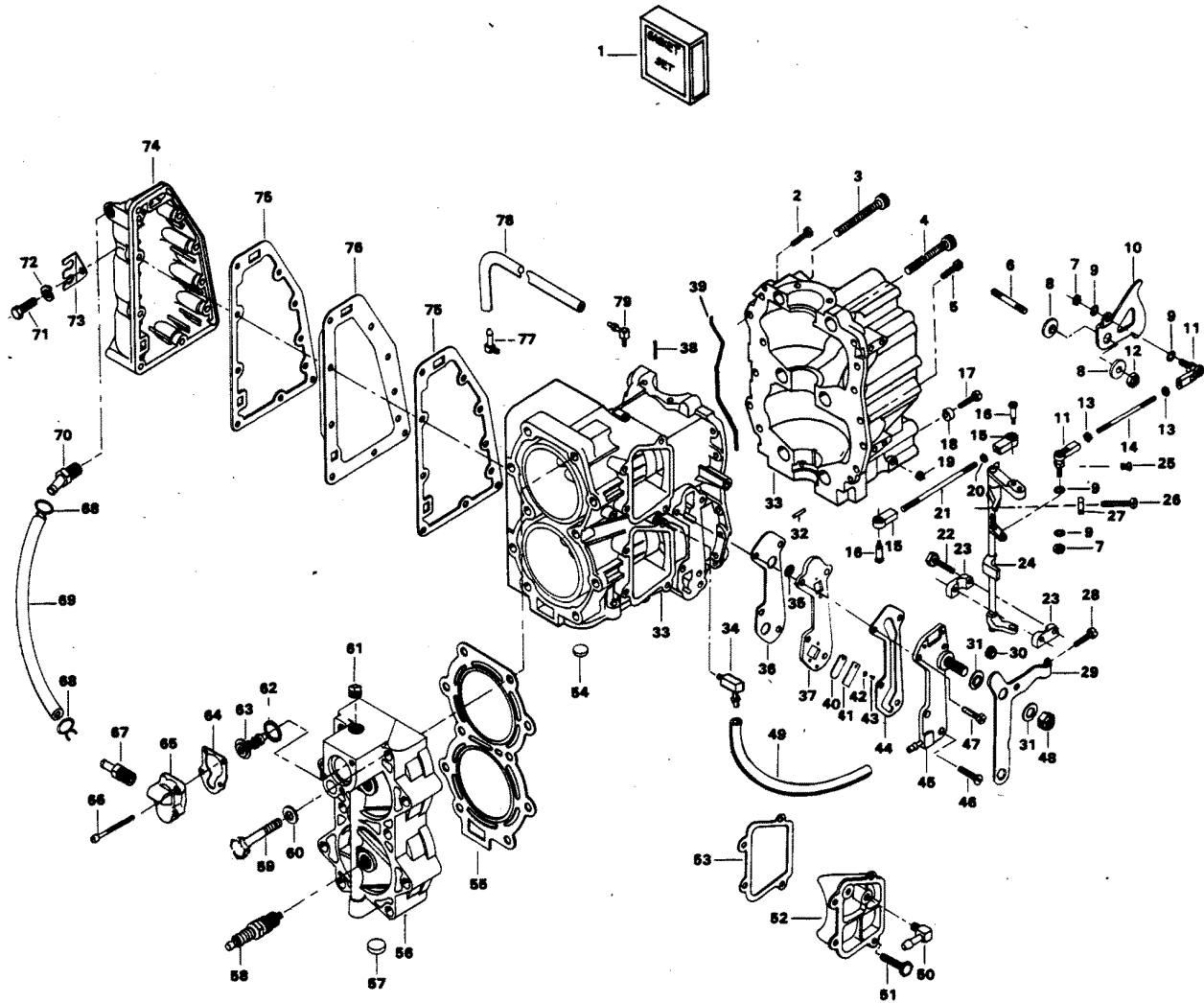
# CARBURETOR



# CARBURETOR

REF. NO.	PART NO.	SYM.	QTY.	DESCRIPTION
37	FO10588		1	BODY CHANNEL CUP PLUG
38	FO3804		1	THROTTLE SHAFT POSITION RETAINING SCREW WASHER
39	FO6396		1	THROTTLE SHAFT POSITION RETAINING SCREW LOCKWASHER
40	FO6393		1	THROTTLE SHAFT POSITION RETAINING SCREW
41	F84314-2		1	ELBOW, FUEL LINE

# POWER HEAD

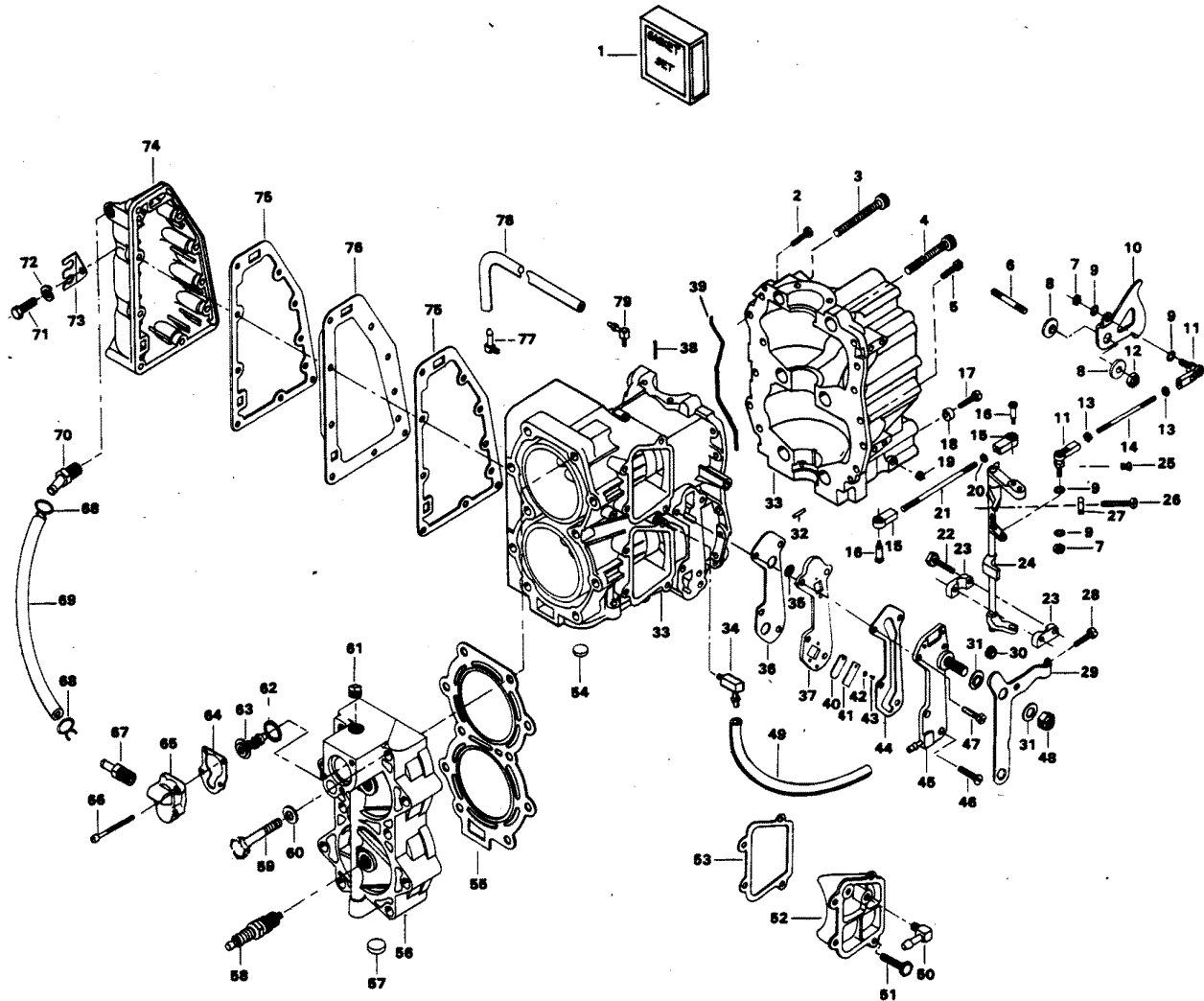


# POWER HEAD

REF. NO.	PART NO.	SYM.	QTY.	DESCRIPTION
1	FG1007-1		1	GASKET SET INCLUDES ITEMS LISTED BELOW:
-	F40154-3		3	GASKET, EXHAUST PORT PLATE
-	F40223		1	GASKET, TRANSFER PORT COVER
-	F40833-4		1	GASKET, RELIEF COVER
-	F40906-1		1	GASKET, CARBURETOR
-	F93472-1		1	GASKET, CYLINDER DRAIN
-	F93748-1		1	GASKET, CYLINDER DRAIN
-	F97067		1	GASKET, THERMOSTAT COVER
-	F201529-1		1	GASKET, CYLINDER HEAD
-	F269122-1		1	GASKET, CRANKCASE PARTING LINE SEAL
-	F307279-2		1	GASKET, CYLINDER EXHAUST UPPER
-	F40279-1		1	GASKET, CYLINDER EXHAUST LOWER
-	F311996		1	GASKET, CYLINDER HEAD COVER
-	F366277		1	GASKET, BEARING CAGE
-	F433168		1	GASKET, CARBURETOR ADAPTER
-	F433406		1	GASKET, DEFLECTOR PLATE
2	F1864		9	HEX SLOT HD SCREW, 1/4 - 20 X 3/4
3	F1646		1	HEX SOCKET HD CAP SCREW, 3/8 - 16 X 2 1/4
4	F1879		5	HEX SOCKET HD CAP SCREW, 3/8 - 16 X 1 5/8
5	F1922		3	HEX HD SCREW, 1/4 - 20 X 5/8
6	F433209-1		1	STUD, THROTTLE CAM
7	F1513		2	HEX NUT, 10 - 32
8	F269319		2	THROTTLE CAM BEARING
9	F8058		4	INTERNAL TOOTH LOCKWASHER
10	F433192		1	THROTTLE CAM
11	817747--1		2	BALL JOINT W/BEARING
12	F1910		1	ELASTIC STOP NUT, 1/4 - 20
13	F1513		2	HEX NUT, 10 - 32
14	F85502		1	THROTTLE LINK
15	F84035-2		1	SPARK CONTROL BEARING, R.H.
-	F84036		1	SPARK CONTROL BEARING, L.H.
16	F84026		2	SPARK CONTROL SWIVEL
17	F1134		2	FILL HD SCREW, 8 - 32 X 1 - 1/8
18	F307942-1		2	BUMPER
19	F1997		2	STOP NUT, 8 - 32
20	F1473		1	HEX NUT, 10 - 24
21	F269445-1		1	SPARK CONTROL LINK
22	F1995		4	FILL HD SCREW. 10 - 24 X 1
23	F433689		4	BEARING, TOWERSHAFT
24	FK433838		1	TOWERSHAFT ASSEMBLY W/ILLUS. 26 AND 27
25	F1727		1	PLASTIC RIVET
26	F1052		1	FILL HD SCREW, 1/4 - 20 X 1
27	F1341		1	HEX NUT, 1/4 - 20

CONTINUED ON NEXT PAGE ➡

# POWER HEAD

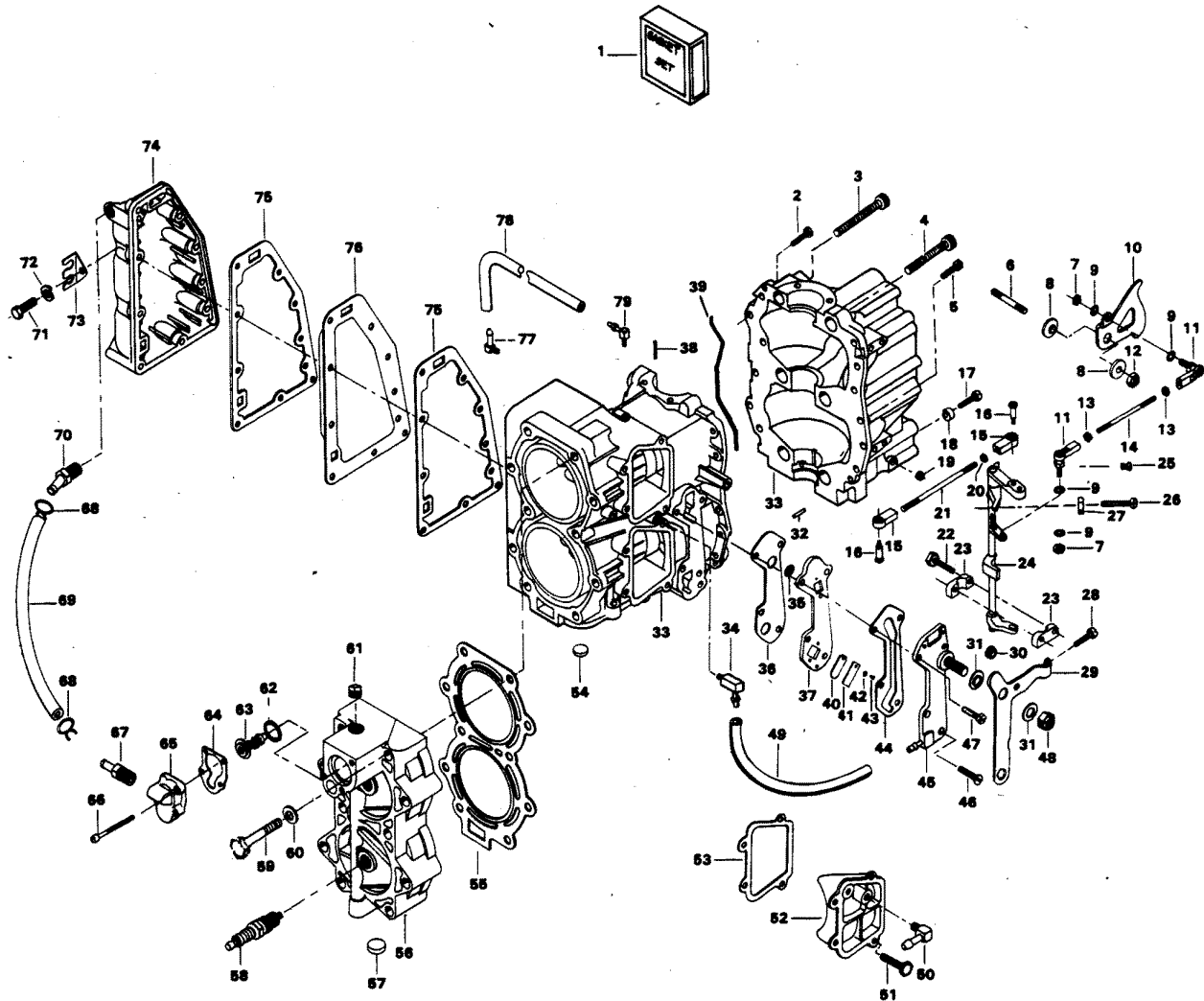


# POWER HEAD

REF. NO.	PART NO.	SYM.	QTY.	DESCRIPTION
28	F1969		1	FILL HD SCREW, 1/4 - 20 X 3/4
29	FA434876		1	SHIFT ARM W/ROLLER
30	F85610		1	BEARING
31	F269052		2	SHIFT ARM BEARING
32	F8559		2	DOWEL PIN
33	800-817791A1		1	CYLINDER W/CRANKCASE COVER, DEFLECTOR PLATE <b>ILLUS. 3, 4, 32, 38, 39, AND LITERATURE ORIGINAL FORCE P/N A 433010-1</b>
-	<b>800-817894A2</b>		1	<b>SHORT BLOCK (NOT SHOWN) INCLUDES ALL ITEMS MARKED WITH AN ASTERISK (*). ALSO REFER TO CRANKSHAFT AND PISTON PAGE ORIGINAL FORCE P/N C 433010-2</b>
34	F404801		1	ELBOW
35	F93811		2	SCREEN, CYLINDER DRAIN REED PLATE
36	F93748-1		1	CYLINDER DRAIN REED PLATE GASKET
37	F3A433757		1	CYLINDER DRAIN REED PLATE <b>W/ILLUS. 35, 40, 41, 42 AND 43</b>
38	F8545		1	SPRING PIN
39	F269122-1		1	CRANKCASE PARTING LINE SEAL
40	F18160-2		2	REED, CYLINDER DRAIN
41	F93920		2	CYLINDER DRAIN REED STOP
42	F8003		2	PLAIN WASHER
43	F1286		2	PAN HD SCREW, 4 - 40 X 3/16
44	F93472-1		1	CYLINDER DRAIN COVER GASKET
45	FA433471		1	CYLINDER DRAIN COVER W/FITTING
46	F1136		2	FLAT HD SCREW, 1/4 - 20 X 1
47	F1446		2	SLOTTED PAN HD SCREW, 1/4 - 20 X 1
48	F7004		1	STOP NUT, 3/8 - 16
49	F433254		1	HOSE
50	F84314-2		1	ELBOW, FUEL LINE
51	F1922		2	HEX CAP SCREW, 1/4 - 20 X 5/8
52	FA411222		1	TRANSFER PORT COVER <b>W/FITTING AND LITERATURE</b>
53	F40223		2	TRANSFER PORT COVER GASKET
54	F1525		1	WELCH PLUG
55	F201529-1		1	CYLINDER HEAD GASKET
56	2A307518		1	CYLINDER HEAD <b>W/ILLUS. 57 AND 54</b>
57	F1526		1	WELCH PLUG
58	FS174227		2	SPARK PLUG (L-4-J)
59	F1544		10	HEX HD SCREW, 3/8 - 16 X 2 - 1/4
60	F2014		10	PLAIN WASHER
61	F328109		1	PIPE PLUG CYLINDER HEAD
62	F97504		1	GROMMET, THERMOSTAT
63	F97068-1		1	THERMOSTAT
64	F97067		1	THERMOSTAT COVER GASKET
65	F97066-1		1	THERMOSTAT COVER

CONTINUED ON NEXT PAGE ➡

# POWER HEAD

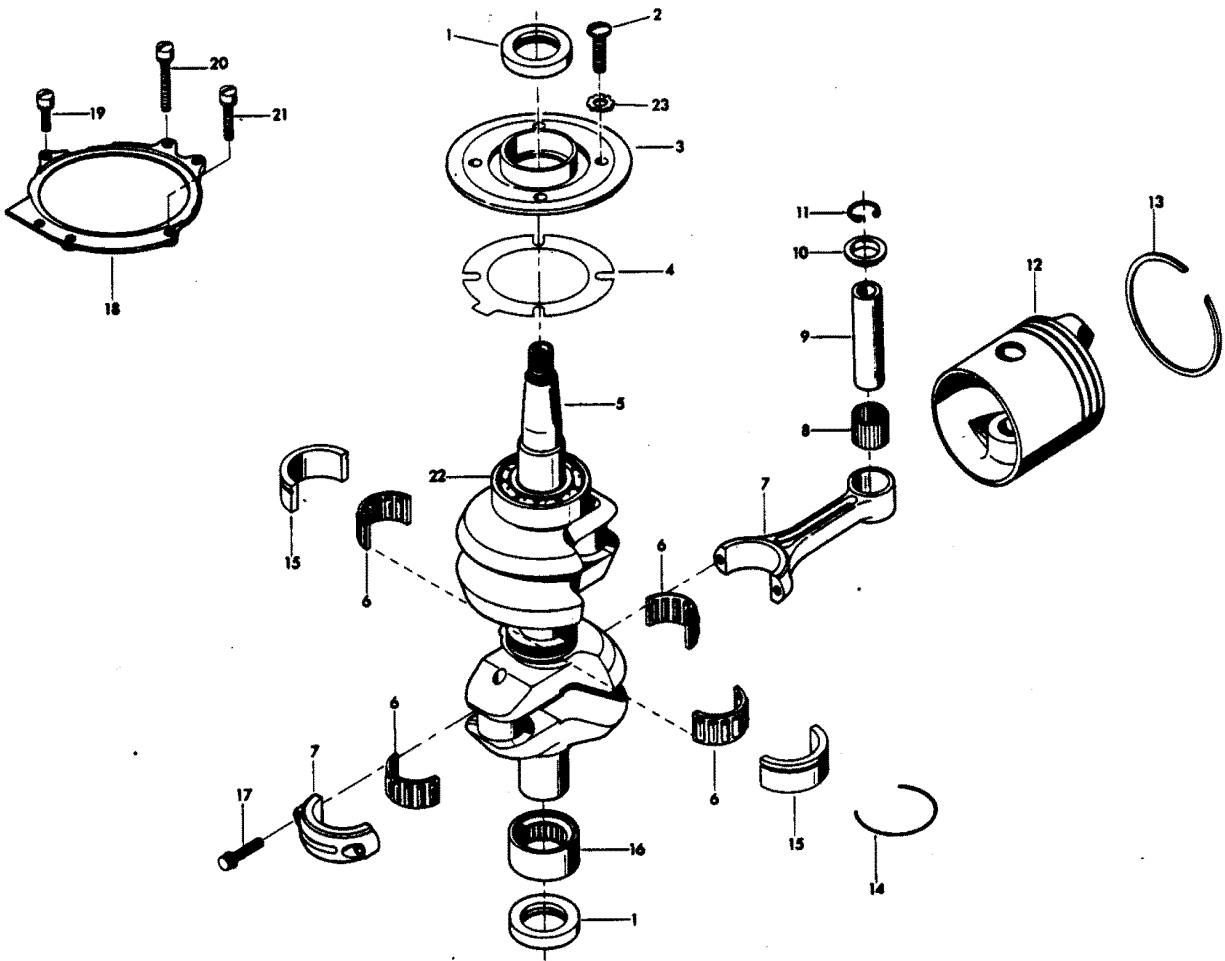




# POWER HEAD

REF. NO.	PART NO.	SYM.	QTY.	DESCRIPTION
66	F1995		3	FILL HD SCREW, 10 - 24 X 1
67	F97275		1	FITTING, THERMOSTAT
68	FA97247		1	WATER TUBE, THERMOSTAT <b>W/LITERATURE</b>
69	F97772		2	CLAMP
70	F141275		1	FITTING, THERMOSTAT
71	F1791		9	HEX HD SCREW, 1/4 - 20 X 2 - 1/8
72	F8083		9	SPRING LOCKWASHER
73	F901834		1	LEAD WIRE CLIP
74	FA433152		1	EXHAUST PORT COVER W/SCREWS
75	F40151-1		1	EXHAUST PORT PLATE
76	F40154-3		2	EXHAUST PORT PLATE GASKET
7	F463314		1	FITTING
78	FS433758		1	HOSE <b>W/LITERATURE</b>
79	22-817740A1		1	ELBOW W/METERING CUP

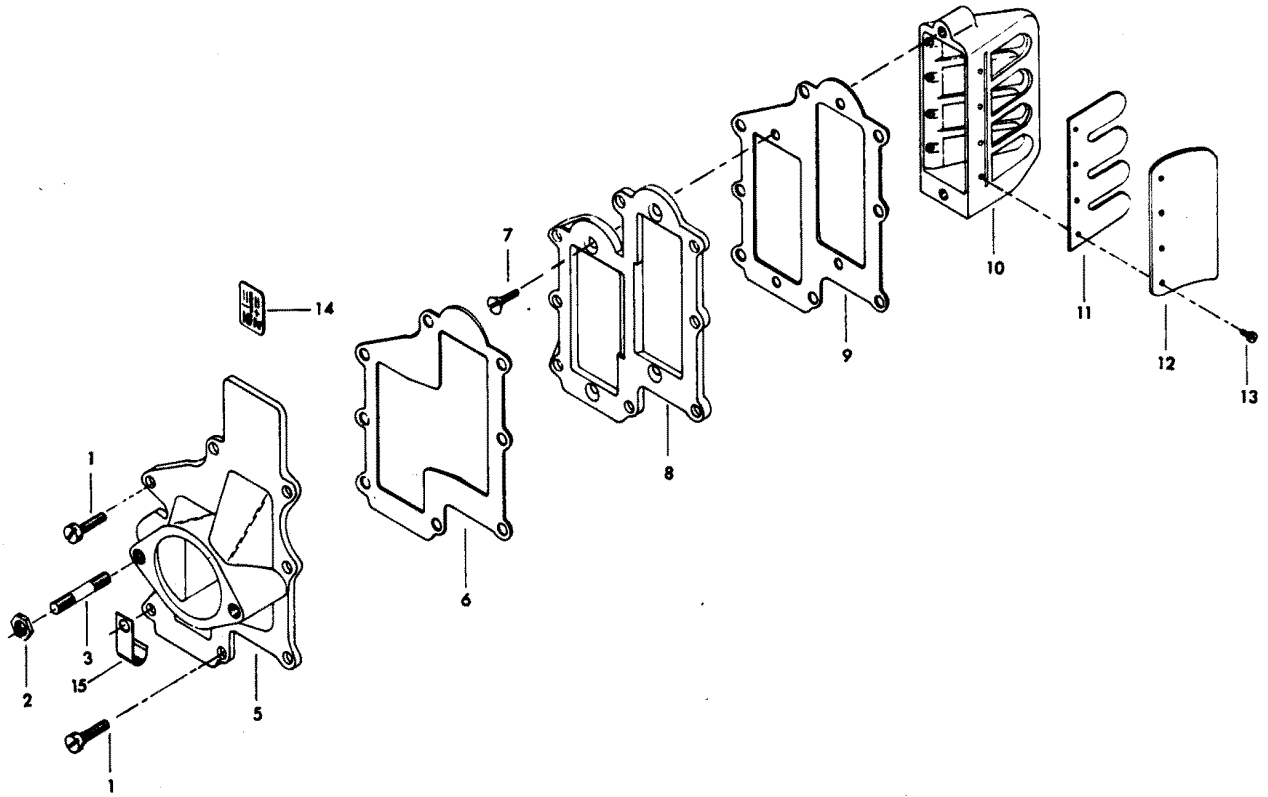
# CRANKSHAFT AND PISTON GROUP



# CRANKSHAFT AND PISTON GROUP

REF. NO.	PART NO.	SYM.	QTY.	DESCRIPTION
1	F366082		1	MAGNETO STATOR RING
2	F1080		1	FILL HD SCREW, W/LOCKWASHER, 10 - 24 X 3/4
3	F335217-1		2	BEARING
4	F1813		1	FILL HD SCREW, W/LOCKWASHER, 10 - 24 X 1-1/8
5	F40146-1		2	CRANKSHAFT SEAL
6	F1441		4	PAN HD SCREW, 1/4 - 20 X 7/8
7	F8060		4	EXTERNAL TOOTH LOCKWASHER (USE WITH PAN HD SCREW)
9	F366277		1	BEARING CAGE GASKET
10	FA485018		1	CRANKSHAFT <b>W/ILLUS. 11</b>
11	F366013		1	CRANKSHAFT THRUST BEARING UPPER
12	FA40655		1	CRANKSHAFT CENTER MAIN BEARING RACE <b>W/ILLUS. 18</b>
13	FK85228-1		3	BEARING CAGE W/ROLLERS (16 PER SET)
14	F85634-2		4	CONNECTING ROD SCREW
15	600-818052A4		2	CONNECTING ROD <b>W/CAP AND ILLUS. 14 ORIGINAL FORCE P/N S 366016-4</b>
16	F1812		2	FILL HD SCREW, W/LOCKWASHER, 10 - 24 X 1-9/16
17	F90014		1	CRANKSHAFT LOWER MAIN BEARING
18	F40410		1	SNAP RING
19	F40017-2		1	PISTON PIN
20	F366215		4	SPACER
21	F428096		4	RETAINER, PISTON PIN
22	F377015-1		2	PISTON (STANDARD)
-	<b>3SA37701</b>		<b>2</b>	<b>PISTON .030 OVERSIZE</b>
-	<b>SA377015</b>		<b>2</b>	<b>PISTON .010 OVERSIZE</b>
23	FA353260		1	PISTON RING SET (6 PER SET) (STANDARD)
-	<b>39-818112A1</b>		<b>1</b>	<b>PISTON RINGS (6 PER SET) .030 OVERSIZE</b>
-	<b>FS307260</b>		<b>1</b>	<b>PISTON RINGS (6 PER SET) .010 OVERSIZE</b>

# REED PLATE

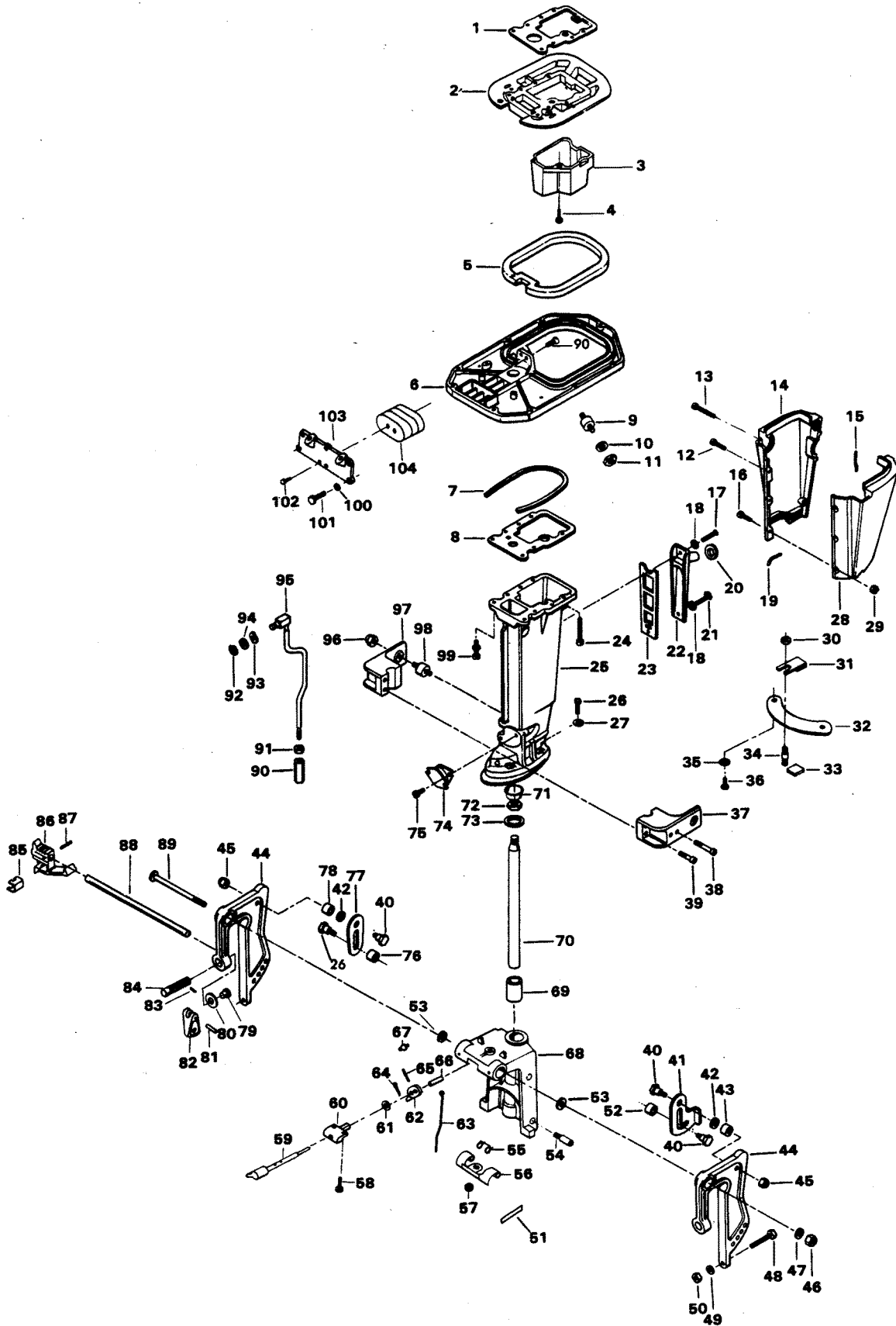


15

# REED PLATE

REF. NO.	PART NO.	SYM.	QTY.	DESCRIPTION
1	F2008		8	HEX HD SCREW, 1/4 - 20 X 7/8
2	F1515		2	HEX NUT, 5/16 - 18
3	F40209		2	CARBURETOR STUD
4	F286772-1		1	CLAMP
5	FA433167		1	CARBURETOR ADAPTER FLANGE <b>W/ILLUS. 3</b>
6	FA433387		1	DECAL, TIMING <b>W/LITERATURE</b>
7	F433168		1	CARBURETOR ADAPTER GASKET
8	F1141		4	FLAT HD SCREW, 10 - 24 X 1/2
9	F433404		1	DEFLECTOR PLATE
10	F433406		1	DEFLECTOR PLATE GASKET
11	FA433158		2	REEDPLATE <b>W/ILLUS. 12, 13 AND 14</b>
12	F335160		4	REED
13	F88161-3		4	REED STOP
14	F1755		16	ROUND HD SCREW W/LOCKWASHER, 6 - 32 X 5/16

# MOTOR LEG



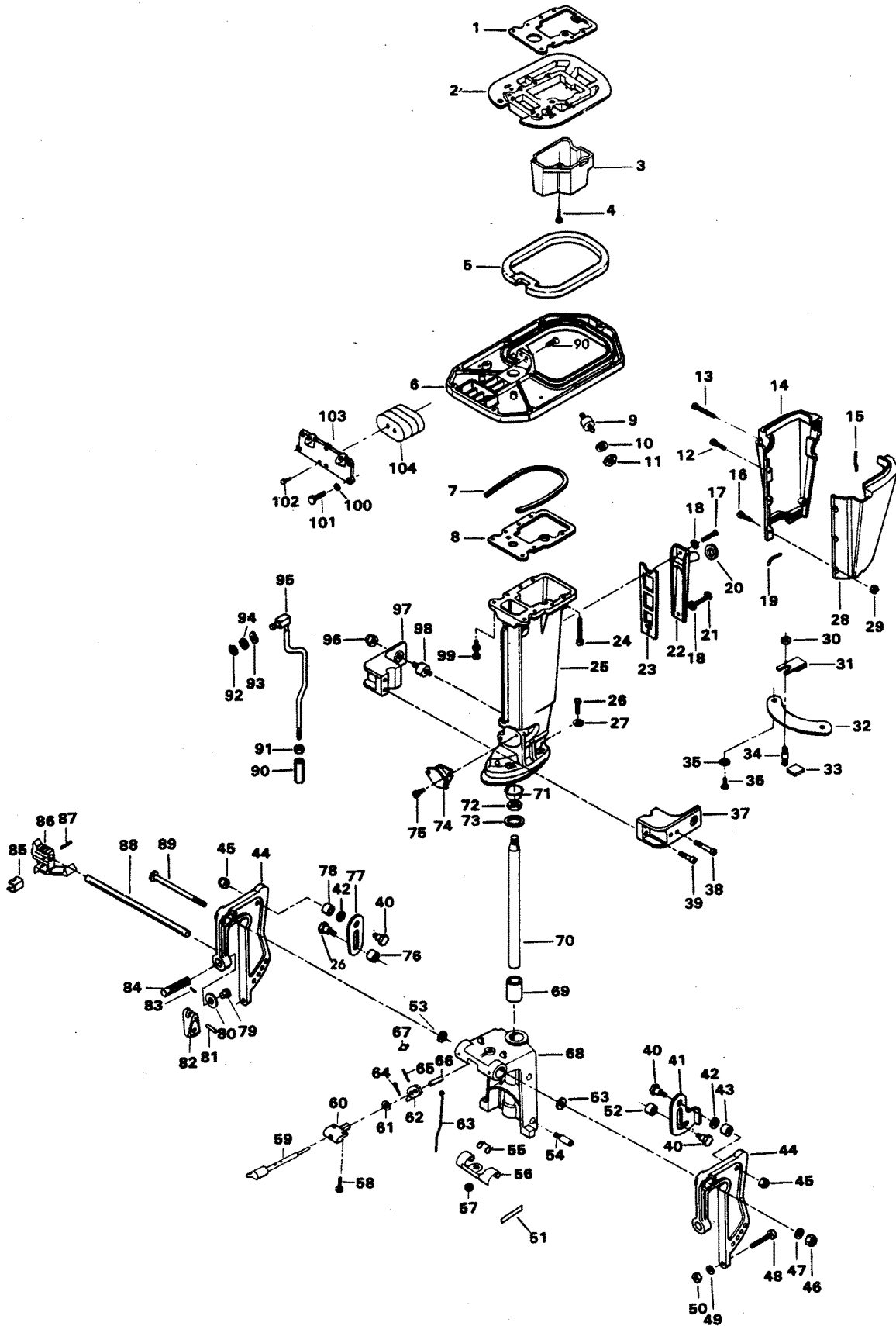
17

# MOTOR LEG

REF. NO.	PART NO.	SYM.	QTY.	DESCRIPTION
1	F307279-2		1	CYLINDER EXHAUST GASKET UPPER
2	F433680		1	SPACER PLATE
3	F307660-1		1	TUBE LEG EXHAUST
4	F1851		3	FILL HD MACHINE SCREW W/LOCKWASHER, 10 - 24 X 1/2
5	F307989-1		1	SEAL, KINGPIN PLATE
6	FS307940		1	KINGPIN PLATE
7	F89025		1	DAMPENING PAD
8	F40279-1		1	CYLINDER EXHAUST GASKET LOWER
9	F307962		2	SHOCK MOUNT, SIDE UPPER
10	F8038		2	PLAIN WASHER
11	F1346		2	HEX NUT, 3/8 - 16
12	F1768		2	FILL HD SCREW, 10 - 24 X 1 - 3/8
13	F1767		1	FILL HD SCREW, 10 - 24 X 3
14	FA435145		1	LEG COVER (STARBOARD), W/PACKING
15	F435323		2	PACKING LEG COVER UPPER
16	F1088		3	FILL HD SCREW, 10 - 24 X 9/16
17	F1849		1	FLAT HD SCREW, S.S., 1/4 - 20 X 1 -3/8
18	F8083		2	SPRING LOCKWASHER
19	F435323		2	PACKING LEG COVER LOWER
20	F89504		1	GROMMET, MOTOR LEG
21	F1199		1	HEX HD SCREW, 1/4 - 20 X 1
22	FA89832-2		1	MOTOR LEG EXHAUST COVER <b>W/ILLUS. 17, 18 AND 21</b>
23	F40833-4		1	MOTOR LEG EXHAUST COVER GASKET
24	F1905		1	HEX HD SCREW, 1/4 - 20 X 3 - 7/16
25	F435133-1		1	MOTOR LEG
26	F1929		4	HEX HD CAP SCREW, S.S., 3/8 - 16 X 1 -1/8
27	F8065		4	SPRING LOCKWASHER
28	FA435135		1	LEG COVER (PORT), W/PACKING
29	F1473		6	HEX NUT, 10 - 24
30	F1832		1	HEX LOCK NUT, 1/4 - 20
31	FA40742		1	FRICITION SHOE ADJUSTING ARM <b>W/ILLUS. 33</b>
32	F40775		1	FRICITION SHOE PLATE
33	F901631-1		1	FRICITION SHOE
34	F210-1		2	STUD
35	F8083		2	LOCKWASHER
36	F1546		2	HEX HD SCREW, 1/4 - 20 X 1/2
37	F433973		1	SHOCK MOUNT LOWER COVER, PORT
38	F1635		2	HEX SOCKET HD CAP SCREW, S.S., 3/8 - 16 X 3 - 1/2
39	F1636		2	HEX SOCKET HD CAP SCREW, S.S., 3/8 - 16 X 1 - 1/4
40	F366350		4	TILT STOP PIVOT
41	F366426		1	TILT STOP, PORT
42	F1666		2	BOWED SPRING WASHER
43	F269929		1	SPACER, TILT STOP

CONTINUED ON NEXT PAGE ➡

# MOTOR LEG



17

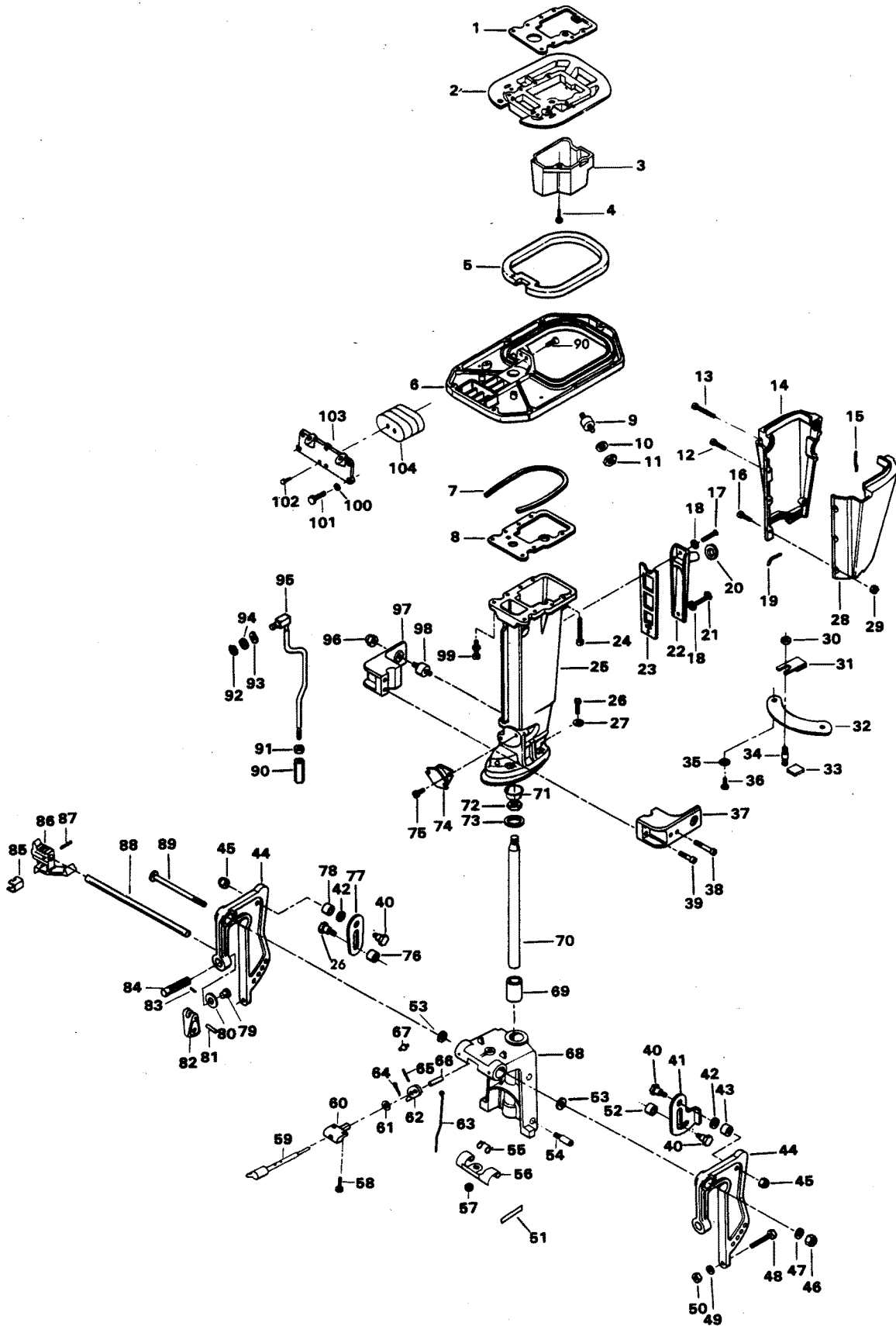


# MOTOR LEG

REF. NO.	PART NO.	SYM.	QTY.	DESCRIPTION
44	FK433032		2	STERN BRACKET <b>WILLUS. 79, 80, 83 AND 84</b>
45	F7007		4	ELASTIC STOP NUT
46	F7001		1	ELASTIC STOP NUT
47	F1656		1	PLAIN WASHER
48	F1593		2	HEX HD SCREW, S.S., 3/8 - 16 X 3
49	F1904		2	PLAIN WASHER
50	F1346		2	HEX NUT, S.S., 3/8 - 16
51	F544390-1		1	DECAL, REVERSE LOCK - U.S.A.
52	F269929		1	SPACER, TILT STOP
53	F366286		2	STERN BRACKET FRICTION WASHER
54	F366886		2	PIN
55	F366300		1	REVERSE LOCK SPRING
56	F366349		1	LOCK
57	F1669		1	STOP NUT
58	F1733		2	PAN HD SCREW, 10 - 24 X 9/16
59	F366827		1	HANDLE AND SHAFT
60	F366884		1	BEARING
61	F8094		1	PLAIN WASHER
62	F366364		1	ARM
63	F366510		1	LINK
64	F1014		1	COTTER PIN
65	F1836		1	SPRING PIN
66	F366884		1	BEARING
67	F213274		3	GREASE FITTING
68	817945A1		1	SWIVEL BRACKET <b>WILLUS. 67 AND 69 ORIGINAL FORCE P/N A 367072-1</b>
69	F191169-1		2	SWIVEL BRACKET BEARING
70	FA433019		1	KINGPIN <b>WILLUS. 71</b>
71	F1880		1	PLUG
72	F84280		1	KINGPIN NUT
73	F89011		1	SWIVEL BRACKET WASHER
74	FA40346-2		1	SHOCK MOUNT LOWER
75	F1129		4	FILL HD SCREW, S.S., 5/16 - 18 X 1/2
76	F269929		1	SPACER, TILT STOP
77	F366433		1	TILT STOP, STARBOARD
78	F269929		1	SPACER, TILT STOP
79	F353480		2	STUD
80	F24074		2	CLAMP SCREW FOOT
81	F1638		2	SPRING PIN
82	F288075		2	CLAMP SCREW HANDLE
83	F8537		2	SPRING PIN
84	F463073		2	CLAMP SCREW
85	F286461		1	SPRING LOCK BAR HANDLE

CONTINUED ON NEXT PAGE ➡

# MOTOR LEG

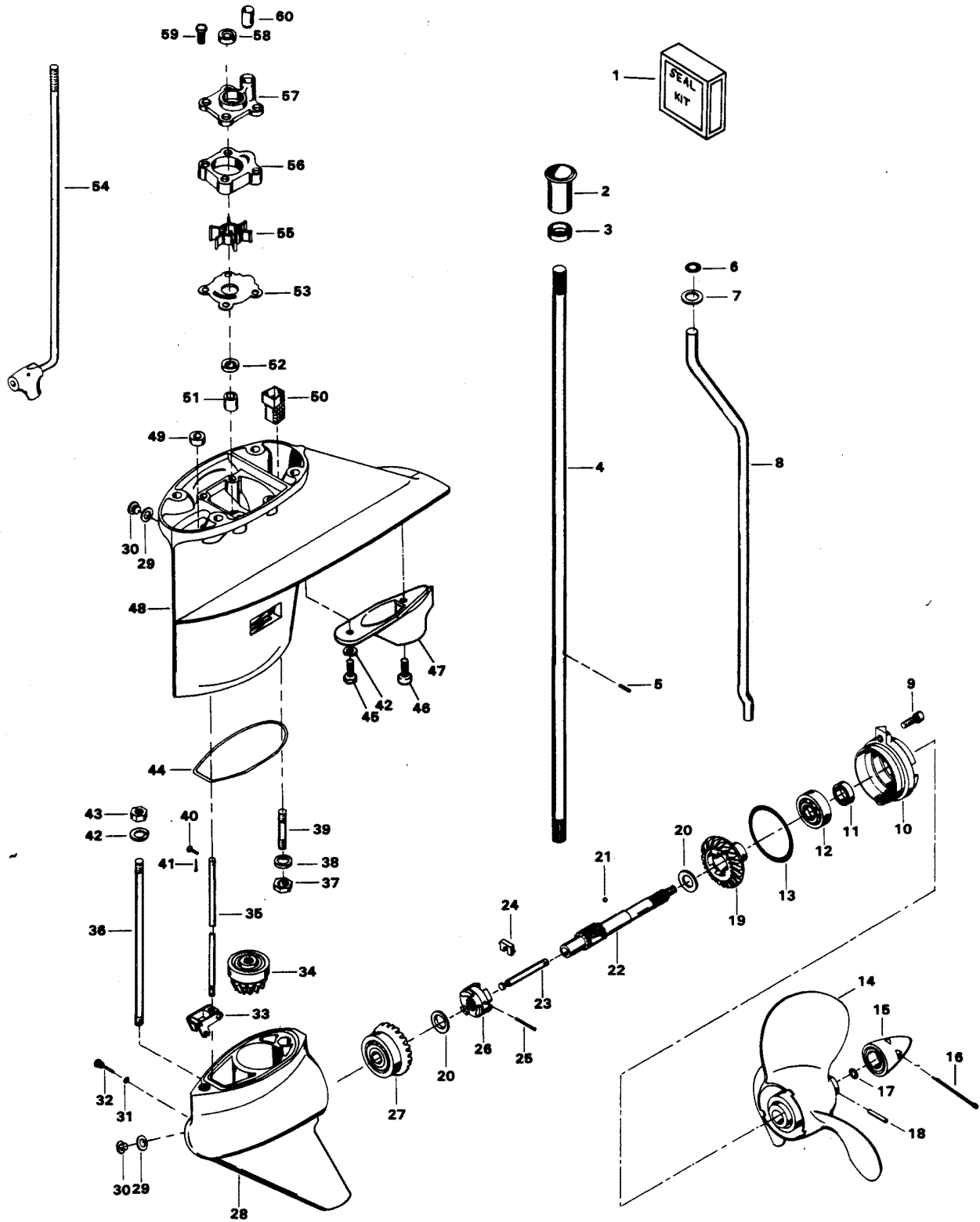


17

# MOTOR LEG

REF. NO.	PART NO.	SYM.	QTY.	DESCRIPTION
86	F433114		1	HANDLE, LOCK BAR
87	F1744		1	SPRING PIN
88	FA433113		1	STERN BRACKET LOCK BAR <b>W/ILLUS. 85, 86 AND 87</b>
89	F366037		1	STERN BRACKET PIVOT BOLT
90	F141704		1	GEAR SHIFT ROD COUPLING
91	F1349		1	HEX NUT, S.S., 5/16 - 18
92	F185764		1	RETAINING RING
93	F8049		1	BOWED SPRING WASHER
94	F1987		1	PLAIN WASHER
95	F328615		1	GEAR SHIFT ROD UPPER
96	F1326		2	ACORN NUT
97	F433972		1	SHOCK MOUNT LOWER COVER, STARBOARD
98	F215962		2	SHOCK MOUNT SIDE LOWER
99	F1947		8	FLANGED 12 PT. SCREW, 5/16 - 18 X 2
100	F8025		1	PLAIN WASHER
101	F1922		3	HEX HD SCREW, 1/4 - 20 X 5/8
102	F1211		2	HEX HD SCREW, W/LOCKWASHER, 1/4 - 28 X 5/8
103	F485946		1	SHOCK MOUNT UPPER COVER
104	F203965		1	SHOCK MOUNT UPPER
105	F1160		2	FLAT HD SCREW, 1/4 - 28 X 5/8

# GEAR HOUSING

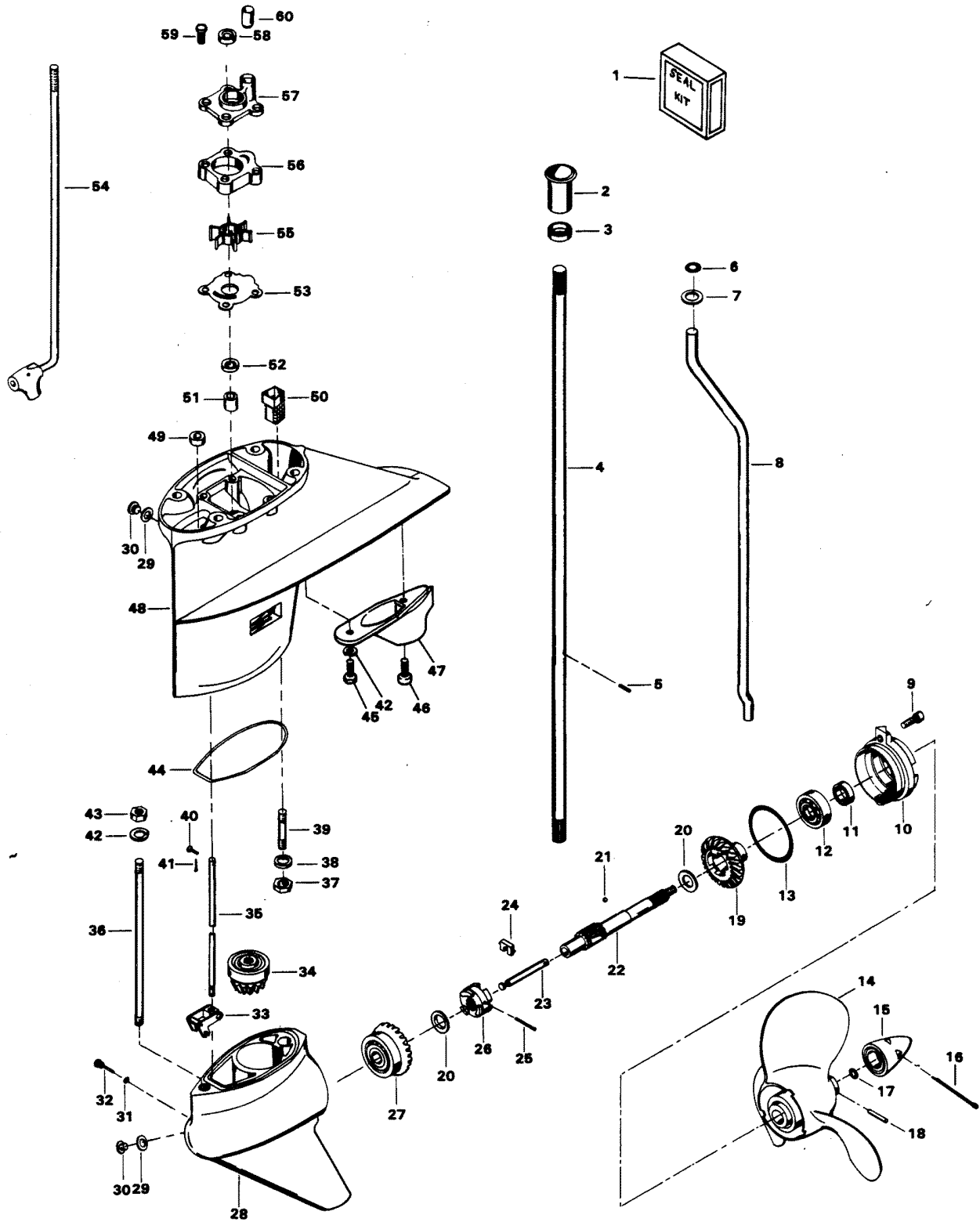


# GEAR HOUSING

REF. NO.	PART NO.	SYM.	QTY.	DESCRIPTION
1	FK1074		1	GEAR HOUSING SEAL KIT <b>INCLUDES ALL ITEMS MARKED WITH A DOUBLE ASTERISK (**)</b>
-	<b>F8077</b>		<b>2</b>	<b>WASHER</b>
-	<b>F40307-2</b>		<b>1</b>	<b>SEAL</b>
-	<b>F40342</b>		<b>1</b>	<b>SEAL</b>
-	<b>F141118</b>		<b>1</b>	<b>SEAL</b>
-	<b>F141305</b>		<b>1</b>	<b>SEAL</b>
-	<b>F338618-1</b>		<b>1</b>	<b>SEAL</b>
-	<b>F435555</b>		<b>1</b>	<b>SEAL</b>
-	<b>F498618</b>		<b>1</b>	<b>SEAL</b>
2	F338129-1		1	BOOT
3	F338271		1	RETAINER
4	FA89128-1		1	DRIVESHAFT <b>W/ILLUS. 3</b>
5	F901563		1	DRIVE PIN, WATER PUMP IMPELLER
6	F24342		1	SEAL
7	F8042		1	PLAIN WASHER
8	F435244		1	INLET WATER LINE
9	F1263		2	HEX SOCKET HD CAP SCREW, S.S., 5/16 - 18 X 9/16
10	F2A366298		1	PROPELLER SHAFT BEARING CAGE <b>W/ILLUS. 11, 12 AND 13</b>
11	F141118		1	SEAL, PROPELLER SHAFT
12	F366058		1	BALL BEARING, PROPELLER SHAFT
13	F141305		1	SEAL, PROPELLER SHAFT BEARING CAGE
14	FP273		1	STANDARD PROP (ACCESSORY ITEM)
15	FA94094-2		1	PROPELLER NUT <b>W/ILLUS. 16 AND 17</b>
16	F1027		1	COTTER PIN, S.S., 1/8 - 1/2
17	F40342		1	SEAL, PROPELLER NUT
18	FK247		1	PROPELLER PIN, PACK OF 6 <b>W/ILLUS. 16</b>
19	FA458662		1	BEVEL GEAR REAR W/BEARING
20	F40717		2	THRUST WASHER, BEVEL GEAR
21	F366727		1	BALL, PROPELLER SHAFT
22	44-819500A3		1	PROPELLER SHAFT ASSEMBLY
23	F90871-3		1	GEAR SHIFT ARM PIN
24	F90619-1		1	YOKE
25	F2097		1	SPRING PIN
26	F99521-1		1	CLUTCH
27	FS458023		1	BEVEL GEAR FRONT W/BEARING
28	FA544054		1	GEAR HOUSING LOWER W/THRUST BEARING CUP <b>ILLUS. 29, 30, 31 AND 32</b>
-	<b>FC544054</b>		<b>1</b>	<b>GEAR HOUSING COMPLETE (NOT SHOWN) INCLUDES ALL ITEMS MARKED WITH AN ASTERISK (*)</b>
29	F8077		2	WASHER, GEAR HOUSING PLUG
30	F50109		2	PLUG, GEAR HOUSING
31	F498618		1	SEAL, GEAR SHIFT ARM PIN
32	F498891		1	GEAR SHIFT ARM PIVOT PIN

CONTINUED ON NEXT PAGE ➡

# GEAR HOUSING



# GEAR HOUSING

REF. NO.	PART NO.	SYM.	QTY.	DESCRIPTION
33	817796A2		1	GEAR SHIFT ARM
34	F2A544266		1	BEVEL PINION W/BEARING AND CUP
35	F435705		1	GEAR SHIFT ROD LOWER
36	F97008-1		1	STUD, LONG
37	F7004		1	NUT, 3/8 - 16
38	F8039		1	PLAIN WASHER
39	F40008		1	STUD, SHORT
40	F85372		1	PIN, GEAR SHIFT ROD LOWER
41	F1015		1	COTTER PIN
42	F2014		1	LOCKWASHER
43	F1346		1	HEX NUT, S.S., 3/8 - 16
44	F435555		1	SEAL, GEAR HOUSING
45	F438930		1	RETAINER, SNOOT
46	F1994		1	HEX HD CAP SCREW, 5/16 - 18 X 1
47	FA435116		1	SNOOT, EXHAUST <b>W/LITERATURE</b>
48	FA545554		1	GEAR HOUSING UPPER <b>W/ILLUS. 29, 30, 39, 45, 46, 47, 49, 51 AND 52</b>
49	F338618-1		1	SEAL, SHIFT ROD LOWER
50	F435077		1	SCREEN, WATER INLET
51	F435057		1	BEARING, DRIVESHAFT UPPER
52	F40307-2		1	SEAL, DRIVESHAFT
53	F433562		1	WATER PUMP BACK PLATE
54	FA435616		1	GEAR SHIFT INTERMEDIATE
55	F40065-2		1	WATER PUMP IMPELLER
56	F366060		1	WATER PUMP BODY
57	A366326-1		1	WATER PUMP COVER <b>INCLUDES ITEM 58 ORIGINAL FORCE P/N A 366326-1</b>
58	F349307		1	DRIVESHAFT SEAL
59	F2030		4	HEX HD SCREW, 1/4 - 20 X 1 - 1/4
60	FA485914		1	SEAL, INLET WATER LINE, LOWER <b>W/LITERATURE</b>





## FUEL TANK AND LINE

REF. NO.	PART NO.	SYM.	QTY.	DESCRIPTION
1	F213342		2	SEAL, FUEL LINE COUPLER
2	F213735		2	SEAL, FUEL LINE COUPLER
3	F197787-3		2	FUEL LINE COUPLER
4	F298788		4	FERRULE
5	FA84754-1		1	FUEL LINE SHORT <b>W/ILLUS. 4</b>
6	89396A38		1	PRIME BULB
7	32-817738A1		1	FUEL LINE, LONG <b>W/CLAMP AND ILLUS. 4 ORIGINAL FORCE P/N A 197752-1</b>
8	F485755-1		1	FUEL TANK ADAPTER
9	F5H026		1	FUEL TANK (ACCESSORY ITEM)
10	F409251-1		1	GAUGE CAP
11	F17932		1	SEAL, FUEL TANK ADAPTER
-	<b>FS409752</b>		<b>1</b>	<b>FUEL LINE, COMPLETE</b>

## SPECIAL TOOLS - TUNE-UP

REF. NO.	PART NO.	SYM.	QTY.	DESCRIPTION
-	FT8938		0	TIMING TOOL TO ADJUST SPARK ADVANCE
-	FT8948-1		0	PULLER TO REMOVE FLYWHEEL
-	FT8930-1		0	FEELER GAUGE TO SET BREAKER POINTS

## SPECIAL TOOLS - MANUAL STARTER

REF. NO.	PART NO.	SYM.	QTY.	DESCRIPTION
-	FT3139-1		0	STARTER REWIND KEY TO REWIND STARTER SPRING
-	FT2991		0	CARBON BRUSH TO REMOVE CARBON FROM CYLINDER AND PISTONS

## SPECIAL TOOLS - POWER HEAD

REF. NO.	PART NO.	SYM.	QTY.	DESCRIPTION
-	FT3510		0	SEAL INSTALLER TO INSTALL UPPER CRANKSHAFT BEARING CAGE SEAL
-	FT8900		0	CLAMP PLIERS TO REMOVE AND INSTALL HOSE CLAMPS
-	FT2996		0	RING COMPRESSOR TO INSTALL PISTONS IN CYLINDERS
-	FT3512		0	SEAL PROTECTOR TO INSTALL UPPER CRANKSHAFT BEARING CAGE SEAL
-	FT8926		0	RING EXPANDER TO INSTALL RINGS ON PISTONS
-	FT2953		0	SOCKET TO TORQUE CONNECTING ROD SCREWS W/T 2999
-	FT2990		0	PISTON PIN TOOL TO REMOVE AND INSTALL PISTON PIN IN PISTON
-	FT2999		0	TORQUE WRENCH TO TORQUE CONNECTING ROD SCREWS
-	FT8932		0	LIFTING HOOK TO LIFT ENGINE
-	FT2998		0	TORQUE WRENCH TO TORQUE FLYWHEEL NUT
-	FT1749		0	SNAP RING PLIERS TO REMOVE AND INSTALL PISTON PIN RETAINING RINGS

## SPECIAL TOOLS - GEAR HOUSING

REF. NO.	PART NO.	SYM.	QTY.	DESCRIPTION
-	FT8948-1		0	PROPELLER SHAFT BEARING CAGE PULLER TO REMOVE PROPELLER SHAFT BEARING CAGE FROM LOWER GEAR HOUSING
-	FT8919		0	SPRING PIN PUNCH TO REMOVE CLUTCH SPRING PIN
-	FT8964		0	BEARING REMOVER TO REMOVE DRIVESHAFT BEARING
-	FT8907		0	DRIVER HANDLE FOR USE WITH T 8904
-	FT8945		0	RETAINER PUNCH TO INSTALL RETAINER ON DRIVESHAFT SPLINE
-	FT8918		0	BRUSHING GUIDE SET TO REMOVE AND INSTALL BEARING CUP IN LOWER GEAR HOUSING
-	FT8921		0	FORWARD BEARING CUP REMOVER TO REMOVE FORWARD BEARING CUP FROM LOWER GEAR HOUSING
-	FT8904		0	FORWARD BEARING CUP INSTALLER TO INSTALL FORWARD BEARING CUP IN LOWER GEAR HOUSING
-	FT3431		0	DRIVESHAFT SEAL AND PROP SHAFT SEAL INSTALLER TO INSTALL DRIVESHAFT AND PROP SHAFT SEAL IN LOWER UNIT
-	FT8962		0	BEARING INSTALLER TO INSTALL DRIVESHAFT BEARING
-	FT8957		0	SEAL INSTALLER TO INSTALL SHIFT SEAL

## SPECIAL TOOLS - TEST EQUIPMENT

REF. NO.	PART NO.	SYM.	QTY.	DESCRIPTION
-	FT2954A		0	TEST WHEEL TO TEST MOTOR IN TEST TANKS
-	FT8950		0	LEAKAGE TESTER TO TEST LOWER UNIT FOR LEAKAGE

## SPECIAL TOOLS - LUBRICANTS AND SEALANTS

REF. NO.	PART NO.	SYM.	QTY.	DESCRIPTION
-	FT2961		0	LUBRICANT - RYKON #2EP
-	FT2987-1		0	LUBRICANT - ANTI-SEIZE
-	FT8969		0	LUBRICANT - 7 OZ, #2 LPS LUBRICANT
-	FT8983		0	SEALANT
-	FT8936-1		0	SEALANT - 2 CC LOCTITE RETAINING COMPOUND #75
-	FT2962-1		0	SEALANT - 50 CC LOCTITE H, NON-HARDENING GRADE
-	FT2963-1		0	SEALANT - 2 OZ. LOCTITE D, HARDENING GRADE
-	FT8935		0	SEALANT PRIMER - 6 OZ.

# ACCESSORIES

REF. NO.	PART NO.	SYM.	QTY.	DESCRIPTION
-	F5H025		0	ANTI-CORROSION SACRIFICIAL ANODE HELPS TO PREVENT CORROSION.
-	F861		0	FLUSHING ADAPTER PERMITS FRESH WATER FLUSHING OF WATER PASSAGES WITH STANDARD GARDEN HOSE.
-	F5H040		0	FUEL TANK, 12 GALLON, STEEL ADDITIONAL TANK TO CARRY FUEL.
-	F5H026		0	FUEL TANK, 6 GALLON, STEEL ADDITIONAL TANK TO CARRY FUEL.
-	F5H066		0	LONG LEG CONVERSION KIT CONVERTS 15" STANDARD SHAFT MODEL TO 20" LONG SHAFTMODEL.
-	F5H012		0	TACHOMETER INDICATES ENGINE RPM
-	5H046		0	CANVAS HOOD PROTECTION FOR ENGINE COVER
-	F75H22		0	IGNITION CUT-OFF SWITCH PROVIDES MOUNTING FOR ENGINE PUSH-BUTTON STOP SWITCH AT REMOTE POSITION.
-	F596		0	CHRYSLER OUTBOARD OIL SEE BLOCK COMMENT 1.
-	F597		0	CHRYSLER OUTBOARD GEAR LUBE SEE BLOCK COMMENT 2.
-	F5H134		0	BOAT WHITE LACQUER ENGINE TOUCH-UP PAINT CASE OF (6) 12 3/4 OZ. SPRAY BOMBS.
-	F5H059		0	CHRYSLER OUTBOARD MULTI-PURPOSE GREASE AVAILABLE IN 8 OZ. TUBES AND 12 TUBE CASES.
-	F5H060		0	GREASE GUN



# PARTS INDEX

Part Number	Description	Pg.	Ref. No.	Part Number	Description	Pg.	Ref. No.
2A307518	CYLINDER HEAD . . . . .	21	56	F12057	COIL W/LEAD WIRE, SPARKIE AND GROMMET	9	7
2C605712	ENGINE COVER COMPLETE	3	-	F12059	PRIMARY TERMINAL WIRE .	9	16
3SA37701	PISTON .030 OVERSIZE . . .	25	-	F1211	HEX HD SCREW, W/LOCKWASHER, 1/4 - 28		
5H046	CANVAS HOOD . . . . .	46	-		X 5/8 . . . . .	33	102
817747--1	BALL JOINT W/BEARING . . .	5	73	F12227	CAM WIPER FELT . . . . .	9	4
817747--1	BALL JOINT W/BEARING . . .	11	22	F12246	CABLE CLIP . . . . .	9	11
817747--1	BALL JOINT W/BEARING . . .	19	11	F12341	COIL LAMINATIONS (NOT SHOWN) . . . . .	9	-
817794A1	GEAR SHIFT ARM . . . . .	5	68	F12342	STATOR PLATE WITHOUT LAMINATIONS . . . . .	9	14
817796A2	GEAR SHIFT ARM . . . . .	37	33	F1263	HEX SOCKET HD CAP SCREW, S.S., 5/16 - 18 X		
817814A1	TILT HANDLE . . . . .	3	10		9/16 . . . . .	35	9
817945A1	SWIVEL BRACKET . . . . .	31	68	F1277	SLOTTED OVAL HD SET SCREW 1/4 - 28 X 3/8 . . .	5	41
818054A1	SUPPORT PLATE W/PLUG . . .	3	30	F1286	PAN HD SCREW, 4 - 40 X 3/16 . . . . .	21	43
818059A1	GEAR SHIFT ROD . . . . .	5	74	F1300	BREAKER POINT TERMINAL SCREW, 6 - 32 X 3/8 . . . .	9	22
89396A38	PRIME BULB . . . . .	39	6	F1326	ACORN NUT . . . . .	33	96
A366326-1	WATER PUMP COVER . . . . .	37	57	F1341	HEX NUT, 1/4 - 20 . . . . .	19	27
A486427	STARTER MOUNTING BRACKET . . . . .	11	13	F1346	HEX NUT, 3/8 - 16 . . . . .	29	11
F10019	REPAIR PARTS KIT . . . . .	15	18	F1346	HEX NUT, S.S., 3/8 - 16 . . . .	31	50
F1014	COTTER PIN . . . . .	15	6	F1346	HEX NUT, S.S., 3/8 - 16 . . . .	37	43
F1014	COTTER PIN . . . . .	31	64	F1349	HEX NUT, S.S., 5/16 - 18 . . .	33	91
F1015	COTTER PIN . . . . .	37	41	F141118	SEAL . . . . .	35	-
F1017	COTTER PIN . . . . .	5	69	F141118	SEAL, PROPELLER SHAFT . . .	35	11
F1027	COTTER PIN, S.S., 1/8 - 1/2 .	35	16	F141275	FITTING, THERMOSTAT . . . .	23	70
F1052	FILL HD SCREW, 1/4 - 20 X 1	19	26	F141305	SEAL . . . . .	35	-
F10596	FILL HD SCREW, 6 - 32 X 1 - 4NING SCREW LOCKWASHER . . . . .	15	1	F141305	SEAL, PROPELLER SHAFT BEARING CAGE . . . . .	35	13
F1080	FILL HD SCREW, W/LOCKWASHER, 10 - 24 X 3/4 . . . . .	25	2	F141704	GEAR SHIFT ROD COUPLING . . . . .	33	90
F1088	FILL HD SCREW, 10 - 24 X 9/16 . . . . .	29	16	F1441	PAN HD SCREW, 1/4 - 20 X 7/8 . . . . .	25	6
F1097	FILL HD SCREW, 1/4 - 20 X 3/8 . . . . .	11	1	F1446	SLOTTED PAN HD SCREW, 1/4 - 20 X 1 . . . . .	21	47
F1108	FILL HD SCREW W/LOCKWASHER . . . . .	13	12	F1473	HEX NUT, 10 - 24 . . . . .	19	20
F1111	FILL HD SCREW, 1/4 - 20 X 7/8 . . . . .	11	10	F1473	HEX NUT, 10 - 24 . . . . .	29	29
F1129	FILL HD SCREW, S.S., 5/16 - 18 X 1/2 . . . . .	31	75	F1513	HEX NUT, 10 - 32 . . . . .	5	70
F1134	FILL HD SCREW, 8 - 32 X 1 - 1/8 . . . . .	19	17	F1513	HEX NUT, 10 - 32 . . . . .	11	20
F1136	FLAT HD SCREW, 1/4 - 20 X 1 . . . . .	21	46	F1513	HEX NUT, 10 - 32 . . . . .	19	13
F1141	FLAT HD SCREW, 10 - 24 X 1/2 . . . . .	27	8	F1513	HEX NUT, 10 - 32 . . . . .	19	7
F1160	FLAT HD SCREW, 1/4 - 28 X 5/8 . . . . .	33	105	F1515	HEX NUT, 5/16 - 18 . . . . .	7	85
F1199	HEX HD SCREW, 1/4 - 20 X 1	29	21	F1515	HEX NUT, 5/16 - 18 . . . . .	11	29
F12014	BREAKER POINT AND CONDENSER MOUNTING SCREW, 8 - 32 X 3/8 . . . .	9	3	F1515	HEX NUT, 5/16 - 18 . . . . .	15	24
F12016	CABLE CLIP SCREW, 8 - 32 X 1/2 . . . . .	9	10	F1515	HEX NUT, 5/16 - 18 . . . . .	27	2
F12023	LAMINATION SCREW, 10 - 24 X 1 . . . . .	9	18	F1525	WELCH PLUG . . . . .	21	54
F12042-1	CONDENSER W/MOUNT . . . .	9	21	F1526	WELCH PLUG . . . . .	21	57
F12044	BREAKER POINT SET . . . . .	9	5	F1532	HEX HD SCREW, 1/4 - 20 X 1	3	25
F12050	GROMMET . . . . .	9	6	F1544	HEX HD SCREW, 3/8 - 16 X 2 - 1/4 . . . . .	21	59
F12053	COIL RETAINING CLIP . . . .	9	8	F1546	HEX HD SCREW, 1/4 - 20 X 1/2 . . . . .	29	36
				F1593	HEX HD SCREW, S.S., 3/8 - 16 X 3 . . . . .	31	48
				F1603	HEX BOLT, 5/16 - 18 X 2 . . .	3	32

# PARTS INDEX

Part Number	Description	Pg.	Ref. No.	Part Number	Description	Pg.	Ref. No.
F1636	HEX SOCKET HD CAP SCREW, S.S., 3/8 - 16 X 1 - 1/4	29	39	F1880	PLUG	31	71
F1638	SPRING PIN	31	81	F1892	STOP NUT, 5/16 - 18	3	33
F1646	HEX SOCKET HD CAP SCREW, 3/8 - 16 X 2 1/4	19	3	F1904	PLAIN WASHER	31	49
F1656	PLAIN WASHER	31	47	F1905	HEX HD SCREW, 1/4 - 20 X 3 - 7/16	29	24
F1666	BOWED SPRING WASHER	29	42	F1910	ELASTIC STOP NUT, 1/4 - 20	19	12
F1669	STOP NUT	31	57	F191169-1	SWIVEL BRACKET BEARING	31	69
F1727	PLASTIC RIVET	19	25	F191737	RETAINER, STARTER SPRING	11	15
F1733	PAN HD SCREW, 10 - 24 X 9/16	5	55	F191971	STARTER RETAINER EXTENSION	11	19
F1733	PAN HD SCREW, 10 - 24 X 9/16	5	76	F191993-1	BRACKET, CHOKE CABLE (NOT SHOWN)	5	-
F1733	PAN HD SCREW, 10 - 24 X 9/16	31	58	F1920	HEX NUT, 5/8 - 18	9	1
F1738	HEX NUT, 3/8 -24	3	28	F1922	HEX CAP SCREW, 1/4 - 20 X 5/8	13	3
F1744	SPRING PIN	33	87	F1922	HEX CAP SCREW, 1/4 - 20 X 5/8	21	51
F1753	FASTENER	3	2	F1922	HEX HD SCREW, 1/4 - 20 X 5/8	13	2
F1755	ROUND HD SCREW W/LOCKWASHER, 6 - 32 X 5/16	27	14	F1922	HEX HD SCREW, 1/4 - 20 X 5/8	19	5
F1767	FILL HD SCREW, 10 - 24 X 3	29	13	F1922	HEX HD SCREW, 1/4 - 20 X 5/8	33	101
F1768	FILL HD SCREW, 10 - 24 X 1 - 3/8	29	12	F1926	LAMINATION SCREW, 8 - 32 X 7/8	9	19
F177330	FUEL PUMP VALVE	13	9	F1929	HEX HD CAP SCREW, S.S., 3/8 - 16 X 1 -1/8	29	26
F1791	HEX HD SCREW, 1/4 - 20 X 2 - 1/8	23	71	F1947	FLANGED 12 PT. SCREW, 5/16 - 18 X 2	33	99
F17932	SEAL, FUEL TANK ADAPTER	39	11	F1955	PLAIN WASHER	5	44
F1812	FILL HD SCREW, W/LOCKWASHER, 10 - 24 X 1-9/16	25	16	F1969	FILL HD SCREW, 1/4 - 20 X 3/4	21	28
F1813	FILL HD SCREW, W/LOCKWASHER, 10 - 24 X 1-1/8	25	4	F197787-3	FUEL LINE COUPLER	39	3
F18160-2	REED, CYLINDER DRAIN	21	40	F1979	FILL HD SCREW, 10 - 24 X 1/2	3	6
F1832	HEX LOCK NUT, 1/4 - 20	29	30	F1987	PLAIN WASHER	7	89
F183300	SPRING	7	88	F1987	PLAIN WASHER	33	94
F1836	SPRING PIN	5	62	F1994	HEX HD CAP SCREW, 5/16 - 18 X 1	37	46
F1836	SPRING PIN	31	65	F1995	FILL HD SCREW, 10 - 24 X 1	23	66
F184033-1	SWIVEL, CHOKE ROD	15	2	F1995	FILL HD SCREW, 10 - 24 X 1	19	22
F184579	SEAL, CHOKE ARM SWIVEL	15	3	F1997	STOP NUT, 10 - 24	15	30
F1849	FLAT HD SCREW, S.S., 1/4 - 20 X 1 -3/8	29	17	F1997	STOP NUT, 8 - 32	19	19
F1851	FILL HD MACHINE SCREW W/LOCKWASHER, 10 - 24 X 1/2	29	4	F2001	FILL HD SCREW, 10 - 24 X 5/8	5	78
F185764	RETAINING RING	33	92	F2008	HEX HD SCREW W/LOCKWASHER, 1/4 - 20 X 7/8	5	63
F1860	ROUND HD SCREW, 6 - 32 X 1/4	13	8	F2008	HEX HD SCREW, 1/4 - 20 X 7/8	27	1
F1864	HEX CAP SCREW, 1/4 - 20 X 3/4	3	23	F2014	LOCKWASHER	37	42
F1864	HEX CAP SCREW, 1/4 - 20 X 3/4	3	29	F2014	PLAIN WASHER	21	60
F1864	HEX HD SCREW, 1/4 - 20 X 3/4	3	24	F201529-1	CYLINDER HEAD GASKET	21	55
F1864	HEX SLOT HD SCREW, 1/4 - 20 X 3/4	19	2	F201529-1	GASKET, CYLINDER HEAD	19	-
F1879	HEX SOCKET HD CAP SCREW, 3/8 - 16 X 1 5/8	19	4	F2025	PAN HD SCREW, 10 X 3/8	3	11
				F2030	HEX HD SCREW, 1/4 - 20 X 1 - 1/4	37	59
				F203965	SHOCK MOUNT UPPER	33	104
				F2042	WASHER, PLAIN	11	7

# PARTS INDEX

Part Number	Description	Pg.	Ref. No.	Part Number	Description	Pg.	Ref. No.
F2066	PAN HD SELF - TAPPING			F328438	MAGNETO CONTROL ARM	7	80
	SCREW, 10 - 7/16	3	12	F328455	STATER ROPE GUIDE	11	12
F2097	SPRING PIN	35	25	F328615	GEAR SHIFT ROD UPPER	33	95
F213274	GREASE FITTING	3	35	F328692	PIVOT TUBE	3	37
F213274	GREASE FITTING	31	67	F328703-1	STEERING HANDLE		
F213342	SEAL, FUEL LINE COUPLER	39	1		ADAPTER	3	34
F213735	SEAL, FUEL LINE COUPLER	39	2	F328710	STARTER ROPE GUIDE		
F215962	SHOCK MOUNT SIDE				POST	11	6
	LOWER	33	98	F328819	SWIVEL SHIFT DETENT	3	19
F24074	CLAMP SCREW FOOT	31	80	F328884	DETENT, SHIFT ARM	3	21
F24333	END, STARTER ROPE	11	17	F333316	THROTTLE ROLLER SHAFT	15	27
F24342	SEAL	35	6	F335160	REED	27	12
F269052	SHIFT ARM BEARING	21	31	F335217-1	BEARING	25	3
F269122-1	CRANKCASE PARTING LINE			F338129-1	BOOT	35	2
	SEAL	21	39	F338271	RETAINER	35	3
F269122-1	GASKET, CRANKCASE			F338618-1	SEAL	35	-
	PARTING LINE SEAL	19	-	F338618-1	SEAL, SHIFT ROD LOWER	37	49
F269319	THROTTLE CAM BEARING	19	8	F338815	STEERING HANDLE GEAR	5	39
F269445-1	SPARK CONTROL LINK	19	21	F338815	STEERING HANDLE GEAR	5	43
F269929	SPACER, TILT STOP	29	43	F338877	MAGNETO CONTROL SHAFT	3	36
F269929	SPACER, TILT STOP	31	52	F349307	DRIVESHAFT SEAL	37	58
F269929	SPACER, TILT STOP	31	76	F353480	STUD	31	79
F269929	SPACER, TILT STOP	31	78	F366013	CRANKSHAFT THRUST		
F286132	STARTER ROPE HANDLE	11	8		BEARING UPPER	25	11
F286461	SPRING LOCK BAR HANDLE	31	85	F366037	STERN BRACKET PIVOT		
F286772-1	CLAMP	27	4		BOLT	33	89
F286772-1	CLAMP (FUEL PUMP TO			F366058	BALL BEARING, PROPELLER		
	CARBURETOR - NOT				SHAFT	35	12
	SHOWN)	13	-	F366060	WATER PUMP BODY	37	56
F286894-3	STEERING HANDLE			F366082	MAGNETO STATOR RING	25	1
	INDICATOR	5	49	F366215	SPACER	25	20
F288075	CLAMP SCREW HANDLE	31	82	F366277	BEARING CAGE GASKET	25	9
F298788	FERRULE	39	4	F366277	GASKET, BEARING CAGE	19	-
F2A338079	STEERING HANDLE	5	47	F366286	STERN BRACKET FRICTION		
F2A366298	PROPELLER SHAFT				WASHER	31	53
	BEARING CAGE	35	10	F366300	REVERSE LOCK SPRING	31	55
F2A544266	BEVEL PINION W/BEARING			F366349	LOCK	31	56
	AND CUP	37	34	F366350	TILT STOP PIVOT	29	40
F307211	STUD	11	31	F366364	ARM	31	62
F307279-2	CYLINDER EXHAUST			F366426	TILT STOP, PORT	29	41
	GASKET UPPER	29	1	F366433	TILT STOP, STARBOARD	31	77
F307279-2	GASKET, CYLINDER			F366510	LINK	31	63
	EXHAUST UPPER	19	-	F366727	BALL, PROPELLER SHAFT	35	21
F307660-1	TUBE LEG EXHAUST	29	3	F366813	BEARING	5	77
F307689-1	STEERING HANDLE			F366824	CARRYING HANDLE	3	31
	CONTROL SHAFT			F366827	HANDLE AND SHAFT	31	59
	BEARING	5	42	F366884	BEARING	31	60
F307809-1	MAGNETO CONTROL ROD	7	84	F366884	BEARING	31	66
F307818	BEARING, LATCH SHAFT	5	56	F366886	PIN	31	54
F307860	INTAKE SILENCER	3	27	F367300	SPRING SHIFT DETENT	3	18
F307942-1	BUMPER	19	18	F369887	INTERLOCK SCREW	11	25
F307962	SHOCK MOUNT, SIDE			F377015-1	PISTON (STANDARD)	25	22
	UPPER	29	9	F3A433757	CYLINDER DRAIN REED		
F307989-1	SEAL, KINGPIN PLATE	29	5		PLATE	21	37
F311996	GASKET, CYLINDER HEAD			F40008	STUD, SHORT	37	39
	COVER	19	-	F40017-2	PISTON PIN	25	19
F328109	PIPE PLUG CYLINDER HEAD	21	61	F40065-2	WATER PUMP IMPELLER	37	55
F328189-1	BUSHING, GEAR SHIFT ROD	5	75	F40146-1	CRANKSHAFT SEAL	25	5
F328232	STARTER ROPE	11	9	F40151-1	EXHAUST PORT PLATE	23	75
F328239	STARTER SPOOL	11	16				

# PARTS INDEX

Part Number	Description	Pg.	Ref. No.	Part Number	Description	Pg.	Ref. No.
F40154-3	GASKET, EXHAUST PORT PLATE	19	-	F434758	FUEL PUMP IMPULSE HOSE	13	6
F40209	CARBURETOR STUD	27	3	F434767	BUSHING	5	58
F40223	GASKET, TRANSFER PORT COVER	19	-	F435057	BEARING, DRIVESHAFT UPPER	37	51
F40223	TRANSFER PORT COVER GASKET	21	53	F435077	SCREEN, WATER INLET	37	50
F40279-1	CYLINDER EXHAUST GASKET LOWER	29	8	F435133-1	MOTOR LEG	29	25
F40279-1	GASKET, CYLINDER EXHAUST LOWER	19	-	F435244	INLET WATER LINE	35	8
F40307-2	SEAL	35	-	F435323	PACKING LEG COVER LOWER	29	19
F40307-2	SEAL, DRIVESHAFT	37	52	F435323	PACKING LEG COVER UPPER	29	15
F40342	SEAL	35	-	F435555	SEAL	35	-
F40342	SEAL, PROPELLER NUT	35	17	F435555	SEAL, GEAR HOUSING	37	44
F40410	SNAP RING	25	18	F435705	GEAR SHIFT ROD LOWER	37	35
F40425	STARTER PINION PIN	11	3	F436449	SHORTING SWITCH	9	15
F404801	ELBOW	21	34	F438165	SCREW, FUEL BOWL	13	20
F40717	THRUST WASHER, BEVEL GEAR	35	20	F438617	FUEL SEDIMENT BOWL GASKET	13	14
F40775	FRICITION SHOE PLATE	29	32	F438653	FUEL PUMP SCREEN	13	17
F40816-1	STEERING HANDLE CONTROL SHAFT THRUST BEARING	5	45	F438747	FUEL PUMP DIAPHRAGM	13	7
F40833-4	GASKET, RELIEF COVER	19	-	F438760	FUEL PUMP GASKET	13	5
F40833-4	MOTOR LEG EXHAUST COVER GASKET	29	23	F438801	ELBOW	13	13
F40906-1	FLANGE GASKET	15	34	F438930	RETAINER, SNOUT	37	45
F40906-1	GASKET, CARBURETOR	19	-	F458677	INSERT, CHOKE KNOB	5	61
F409251-1	GAUGE CAP	39	10	F458695	SLEEVE, STEERING HANDLE	5	52
F428096	RETAINER, PISTON PIN	25	21	F458774	BRACKET, RETAINER REAR	3	22
F433061-2	CARBURETOR COMPLETE (WB-17C)	15	35	F460664	WIRE, STATOR GROUND	9	20
F433114	HANDLE, LOCK BAR	33	86	F461400	GEAR SHIFT INDICATOR	7	81
F433168	CARBURETOR ADAPTER GASKET	27	7	F463073	CLAMP SCREW	31	84
F433168	GASKET, CARBURETOR ADAPTER	19	-	F463314	FITTING	23	7
F433192	THROTTLE CAM	19	10	F463864	RETAINER, TILT HANDLE	3	13
F433209-1	STUD, THROTTLE CAM	19	6	F478502	LINK	11	21
F433254	HOSE	21	49	F485005	INTERLOCK LEVER ARM	5	71
F433404	DEFLECTOR PLATE	27	9	F485424	SPRING, STARTER PINION	11	4
F433406	DEFLECTOR PLATE GASKET	27	10	F485755-1	FUEL TANK ADAPTER	39	8
F433406	GASKET, DEFLECTOR PLATE	19	-	F485781	STARTER INTERLOCK LOCK	11	23
F433503	CHOKE CABLE	5	59	F485946	SHOCK MOUNT UPPER COVER	33	103
F433562	WATER PUMP BACK PLATE	37	53	F485971	STARTER SPRING EXTENSION	11	28
F433612	BRACKET, SHIFT ROD	5	66	F486531	STARTER INTERLOCK ROD	11	27
F433680	SPACER PLATE	29	2	F487674	STARTER PINION GEAR	11	2
F433688	SHAFT, STEERING HANDLE	5	46	F498618	SEAL	35	-
F433689	BEARING, TOWERSHAFT	19	23	F498618	SEAL, GEAR SHIFT ARM PIN	35	31
F433972	SHOCK MOUNT LOWER COVER, STARBOARD	33	97	F498891	GEAR SHIFT ARM PIVOT PIN	35	32
F433973	SHOCK MOUNT LOWER COVER, PORT	29	37	F50109	PLUG, GEAR HOUSING	35	30
F434754	FUEL LINE, PUMP TO CARBURETOR	13	16	F53795-1	DAMPENER	5	48
F434754	HOSE BUSHING TO FUEL PUMP	13	19	F544390-1	DECAL, REVERSE LOCK - U.S.A.	31	51
				F58685-2	ROD END CONNECTOR, MAGNETO CONTROL	7	83
				F596	CHRYSLER OUTBOARD OIL	46	-
				F597	CHRYSLER OUTBOARD GEAR LUBE	46	-
				F5H012	TACHOMETER	46	-
				F5H025	ANTI-CORROSION SACRIFICIAL ANODE	46	-

# PARTS INDEX

Part Number	Description	Pg.	Ref. No.	Part Number	Description	Pg.	Ref. No.
F5H026	FUEL TANK, 6 GALLON, STEEL	46	-	F84792	FUEL PUMP VALVE GASKET (CENTER VALVE)	13	10
F5H040	FUEL TANK, 12 GALLON, STEEL	46	-	F8537	SPRING PIN	31	83
F5H059	CHRYSLER OUTBOARD MULTI-PURPOSE GREASE	46	-	F85372	PIN, GEAR SHIFT ROD LOWER	37	40
F5H060	GREASE GUN	46	-	F8538	SPRING PIN	3	38
F5H066	LONG LEG CONVERSION KIT	46	-	F8538	SPRING PIN	5	40
F5H134	BOAT WHITE LACQUER	46	-	F8540	SPRING PIN	7	79
F605711	PLATE, FRONT	3	4	F8540	SPRING PIN	11	18
F7001	ELASTIC STOP NUT	31	46	F8545	SPRING PIN	21	38
F7004	NUT, 3/8 - 16	37	37	F8548	SPRING PIN	5	51
F7004	STOP NUT, 3/8 - 16	21	48	F85502	THROTTLE LINK	19	14
F7006	HEX NUT, 5/16 - 18	3	17	F8559	DOWEL PIN	21	32
F7007	ELASTIC STOP NUT	31	45	F85610	BEARING	5	65
F7011	HEX NUT, 10 - 24	3	9	F85610	BEARING	21	30
F75H22	IGNITION CUT-OFF SWITCH	46	-	F85634-2	CONNECTING ROD SCREW	25	14
F8003	PLAIN WASHER	21	42	F85735-1	SEAL	3	3
F8025	PLAIN WASHER	33	100	F85756	SUPPORT PLATE PACKING	3	16
F8028	PLAIN WASHER	5	64	F861	FLUSHING ADAPTER	46	-
F8028	PLAIN WASHER	11	26	F88161-3	REED STOP	27	13
F8032	PLAIN WASHER	5	67	F89011	SWIVEL BRACKET WASHER	31	73
F8038	PLAIN WASHER	29	10	F89025	DAMPENING PAD	29	7
F8039	PLAIN WASHER	37	38	F89504	GROMMET, MOTOR LEG	29	20
F8042	PLAIN WASHER	35	7	F89777-1	LATCH CAM	7	87
F8049	BOWED SPRING WASHER	33	93	F90014	CRANKSHAFT LOWER MAIN BEARING	25	17
F8058	INTERNAL TOOTH LOCKWASHER	5	72	F901563	DRIVE PIN, WATER PUMP IMPELLER	35	5
F8058	INTERNAL TOOTH LOCKWASHER	11	24	F901631-1	FRICTION SHOE	29	33
F8058	INTERNAL TOOTH LOCKWASHER	19	9	F901739	STARTER REWIND SPRING DRIVE	11	5
F8060	EXTERNAL TOOTH LOCKWASHER	11	11	F901834	LEAD WIRE CLIP	23	73
F8060	EXTERNAL TOOTH LOCKWASHER (USE WITH PAN HD SCREW)	25	7	F901970	SPRING STARTER REWIND	11	14
F8060	INTERNAL TOOTH LOCKWASHER	3	20	F90619-1	YOKE	35	24
F8065	SPRING LOCKWASHER	29	27	F90871-3	GEAR SHIFT ARM PIN	35	23
F8077	WASHER	35	-	F92498	KEY	9	12
F8077	WASHER, GEAR HOUSING PLUG	35	29	F92759	ROLLER	15	28
F8083	LOCKWASHER	29	35	F93002	CAM	9	13
F8083	SPRING LOCKWASHER	23	72	F93097-6	FLYWHEEL	9	2
F8083	SPRING LOCKWASHER	29	18	F93472-1	CYLINDER DRAIN COVER GASKET	21	44
F8088	PLAIN WASHER	15	5	F93472-1	GASKET, CYLINDER DRAIN	19	-
F8094	PLAIN WASHER	31	61	F93748-1	CYLINDER DRAIN REED PLATE GASKET	21	36
F8096	SPRING LOCKWASHER	7	86	F93748-1	GASKET, CYLINDER DRAIN	19	-
F8096	SPRING LOCKWASHER	11	30	F93811	SCREEN, CYLINDER DRAIN REED PLATE	21	35
F84026	SPARK CONTROL SWIVEL	19	16	F93920	CYLINDER DRAIN REED STOP	21	41
F84035-2	SPARK CONTROL BEARING, R.H.	19	15	F94914	SLEEVE, STATOR WIRE (NOT SHOWN)	9	-
F84036	SPARK CONTROL BEARING, L.H.	19	-	F97008-1	STUD, LONG	37	36
F84280	KINGPIN NUT	31	72	F97066-1	THERMOSTAT COVER	21	65
F84314-2	ELBOW	13	4	F97067	GASKET, THERMOSTAT COVER	19	-
F84314-2	ELBOW, FUEL LINE	17	41	F97067	THERMOSTAT COVER GASKET	21	64
F84314-2	ELBOW, FUEL LINE	21	50	F97068-1	THERMOSTAT	21	63
				F97275	FITTING, THERMOSTAT	23	67
				F97504	GROMMET, THERMOSTAT	21	62

# PARTS INDEX

Part Number	Description	Pg.	Ref. No.	Part Number	Description	Pg.	Ref. No.
F97772	CLAMP	23	69	FA605892	DECAL, ENGINE COVER		
F97772	FUEL LINE CLAMPS	13	15		FRONT	3	5
F98273	ROD END CONNECTOR			FA84754-1	FUEL LINE SHORT	39	5
	STUD	7	82	FA89128-1	DRIVESHAFT	35	4
F99521-1	CLUTCH	35	26	FA89832-2	MOTOR LEG EXHAUST		
FA27232	EMERGENCY STARTER				COVER	29	22
	ROPE (NOT SHOWN)			FA901839	STEERING HANDLE		
	W/HANDLE	11	-		FRICTION SCREW		
FA286547	CHOKE KNOB	5	60		W/SPRING AND BUTTON	5	53
FA307779	BAFFLE, AIR INTAKE			FA94094-2	PROPELLER NUT	35	15
	ASSEMBLY	3	26	FA97247	WATER TUBE,		
FA328763	LATCH SHAFT W/HANDLE	5	57		THERMOSTAT	23	68
FA353260	PISTON RING SET (6 PER			FC544054	GEAR HOUSING COMPLETE		
	SET) (STANDARD)	25	23		(NOT SHOWN)	35	-
FA366778	ENGINE COVER RETAINER,			FG1007-1	GASKET SET	19	1
	FORWARD	3	7	FK10000	GASKET SET	15	22
FA366953	BUSHING, STARTER			FK1074	GEAR HOUSING SEAL KIT	35	1
	HANDLE W/INSERT	5	54	FK1077	TUNE-UP KIT	9	17
FA40346-2	SHOCK MOUNT LOWER	31	74	FK247	PROPELLER PIN, PACK OF		
FA40655	CRANKSHAFT CENTER				6	35	18
	MAIN BEARING RACE	25	12	FK433032	STERN BRACKET	31	44
FA40742	FRICTION SHOE ADJUSTING			FK433838	TOWERSHAFT ASSEMBLY	19	24
	ARM	29	31	FK750-2	SPARKIE KIT	9	9
FA411222	TRANSFER PORT COVER	21	52	FK85228-1	BEARING CAGE W/ROLLERS		
FA433019	KINGPIN	31	70		(16 PER SET)	25	13
FA433113	STERN BRACKET LOCK BAR	33	88	FO10165	INLET SEAT GASKET	15	14
FA433152	EXHAUST PORT COVER			FO10280	CHOKE SHUTTER		
	W/SCREWS	23	74		RETAINING SCREW AND		
FA433158	REEDPLATE	27	11		LOCKWASHER	15	11
FA433167	CARBURETOR ADAPTER			FO10588	BODY CHANNEL CUP PLUG	17	37
	FLANGE	27	5	FO10790	INLET NEEDLE, SEAT AND		
FA433387	DECAL, TIMING	27	6		GASKET	15	15
FA433471	CYLINDER DRAIN COVER			FO10883	CHOKE RELIEF VALVE		
	W/FITTING	21	45		SPRING	15	13
FA434876	SHIFT ARM W/ROLLER	21	29	FO11103	IDLE MIXTURE SCREW		
FA435116	SNOUT, EXHAUST	37	47		SPRING	15	9
FA435135	LEG COVER (PORT),			FO12250	CHOKE SHUTTER	15	12
	W/PACKING	29	28	FO12251	CHOKE RELIEF VALVE	15	8
FA435145	LEG COVER (STARBOARD),			FO13193	MAIN FUEL JET .088 (OPT.)		
	W/PACKING	29	14		1250 - 3750 FEET	15	-
FA435616	GEAR SHIFT INTERMEDIATE	37	54	FO13552	FUEL BOWL	15	20
FA438431	FUEL PUMP BODY			FO13554	FLOAT	15	23
	W/VALVES	13	11	FO13944	FLOAT LEVER PIN	15	16
FA438500	FUEL SEDIMENT BOWL	13	18	FO13945	FUEL BOWL RETAINING		
FA439746	FUEL PUMP COVER	13	1		SCREW	15	21
FA456137	STEERING HANDLE GRIP	5	50	FO13946	IDLE MIXTURE SCREW	15	10
FA458480	ENGINE COVER RETAINER	3	8	FO13949	MAIN FUEL JET .086 (OPT.)		
FA458662	BEVEL GEAR REAR				3750 - 6250 FEET	15	-
	W/BEARING	35	19	FO14292	THROTTLE SHAFT RETURN		
FA485018	CRANKSHAFT	25	10		SPRING	15	31
FA485914	SEAL, INLET WATER LINE,			FO14302	MAIN FUEL JET .084 (OPT.)		
	LOWER	37	60		6250 - 8250 FEET	15	-
FA544054	GEAR HOUSING LOWER			FO15406	MAIN FUEL JET .090 (STD.)	15	26
	W/THRUST BEARING CUP	35	28	FO15623	FUEL BOWL GASKET	15	17
FA545554	GEAR HOUSING UPPER	37	48	FO15728	THROTTLE SHAFT AND		
FA605386	DECAL, NUMERAL	3	15		LEVER	15	29
FA605396	DECAL, ENGINE COVER -			FO16119	THROTTLE SHUTTER	15	32
	STARBOARD	3	-	FO16251	MAIN NOZZLE	15	25
FA605397	DECAL, ENGINE COVER -			FO16383	CHOKE SHAFT AND LEVER	15	4
	PORT	3	14				

# PARTS INDEX

Part Number	Description	Pg.	Ref. No.	Part Number	Description	Pg.	Ref. No.
FO2510	FUEL BOWL RETAINING			FT8936-1	SEALANT - 2 CC LOCTITE		
	SCREW GASKET . . . . .	15	19		RETAINING COMPOUND		
FO3804	THROTTLE SHAFT				#75 . . . . .	45	-
	POSITION RETAINING			FT8938	TIMING TOOL . . . . .	40	-
	SCREW WASHER . . . . .	17	38	FT8945	RETAINER PUNCH . . . . .	43	-
FO4326	BODY CHANNEL WELCH			FT8948-1	PROPELLER SHAFT		
	PLUG . . . . .	15	36		BEARING CAGE PULLER	43	-
FO6393	THROTTLE SHAFT			FT8948-1	PULLER . . . . .	40	-
	POSITION RETAINING			FT8950	LEAKAGE TESTER . . . . .	44	-
	SCREW . . . . .	17	40	FT8957	SEAL INSTALLER . . . . .	43	-
FO6396	THROTTLE SHAFT			FT8962	BEARING INSTALLER . . . . .	43	-
	POSITION RETAINING			FT8964	BEARING REMOVER . . . . .	43	-
	SCREW LOCKWASHER . .	17	39	FT8969	LUBRICANT - 7 OZ, #2 LPS		
FO8942	THROTTLE SHUTTER				LUBRICANT . . . . .	45	-
	RETAINING SCREW AND			FT8983	SEALANT . . . . .	45	-
	LOCKWASHER . . . . .	15	33	SA377015	PISTON .010 OVERSIZE . . .	25	-
FP273	STANDARD PROP			22-817740A1	ELBOW W/METERING CUP .	23	79
	(ACCESSORY ITEM) . . . .	35	14	32-817738A1	FUEL LINE, LONG . . . . .	39	7
FS174227	SPARK PLUG (L-4-J) . . . . .	21	58	39-818112A1	PISTON RINGS (6 PER SET)		
FS307260	PISTON RINGS (6 PER SET)				.030 OVERSIZE . . . . .	25	-
	.010 OVERSIZE . . . . .	25	-	44-819500A3	PROPELLER SHAFT		
FS307940	KINGPIN PLATE . . . . .	29	6		ASSEMBLY . . . . .	35	22
FS409752	FUEL LINE, COMPLETE . . .	39	-	300-818002A2	STATOR COMPLETE . . . . .	9	-
FS433758	HOSE . . . . .	23	78	600-818052A4	CONNECTING ROD . . . . .	25	15
FS458023	BEVEL GEAR FRONT			800-817791A1	CYLINDER W/CRANKCASE		
	W/BEARING . . . . .	35	27		COVER, DEFLECTOR		
FS606712	ENGINE COVER . . . . .	3	1		PLATE . . . . .	21	33
FT1749	SNAP RING PLIERS . . . . .	42	-	800-817894A2	SHORT BLOCK (NOT		
FT2953	SOCKET . . . . .	42	-		SHOWN) . . . . .	21	-
FT2954A	TEST WHEEL . . . . .	44	-	F210-1	STUD . . . . .	29	34
FT2961	LUBRICANT - RYKON #2EP						
FT2962-1	SEALANT - 50 CC LOCTITE						
	H, NON-HARDENING						
	GRADE . . . . .	45	-				
FT2963-1	SEALANT - 2 OZ. LOCTITE						
	D, HARDENING GRADE . .	45	-				
FT2987-1	LUBRICANT - ANTI-SEIZE . .	45	-				
FT2990	PISTON PIN TOOL . . . . .	42	-				
FT2991	CARBON BRUSH . . . . .	41	-				
FT2996	RING COMPRESSOR . . . . .	42	-				
FT2998	TORQUE WRENCH . . . . .	42	-				
FT2999	TORQUE WRENCH . . . . .	42	-				
FT3139-1	STARTER REWIND KEY . . .	41	-				
FT3431	DRIVESHAFT SEAL AND						
	PROP SHAFT SEAL						
	INSTALLER . . . . .	43	-				
FT3510	SEAL INSTALLER . . . . .	42	-				
FT3512	SEAL PROTECTOR . . . . .	42	-				
FT8900	CLAMP PLIERS . . . . .	42	-				
FT8904	FORWARD BEARING CUP						
	INSTALLER . . . . .	43	-				
FT8907	DRIVER HANDLE . . . . .	43	-				
FT8918	BRUSHING GUIDE SET . . . .	43	-				
FT8919	SPRING PIN PUNCH . . . . .	43	-				
FT8921	FORWARD BEARING CUP						
	REMOVER . . . . .	43	-				
FT8926	RING EXPANDER . . . . .	42	-				
FT8930-1	FEELER GAUGE . . . . .	40	-				
FT8932	LIFTING HOOK . . . . .	42	-				
FT8935	SEALANT PRIMER - 6 OZ. . .	45	-				