



PARTS CATALOG

30 H.P.

SERIAL NUMBER

30 (1982)307B2E
30 (1982)307H2E

TABLE OF CONTENTS:

ACCESSORIES	46
ALTERNATOR COMPONENTS	12
CARBURETOR	14
CRANKSHAFT AND PISTON GROUP	20
ELECTRIC STARTER	6
ELECTRICAL COMPONENTS	8
ENGINE COVER AND SUPPORT PLATE	2
FUEL PUMP	22
FUEL TANK AND LINE	40
GEAR HOUSING	36
MOTOR LEG	32
PARTS INDEX	49
POWER HEAD	24
REED PLATE	18
SPECIAL TOOLS - LOWER UNIT	43
SPECIAL TOOLS - LUBRICANTS AND SEALANTS	45
SPECIAL TOOLS - POWER HEAD	42
SPECIAL TOOLS - TEST EQUIPMENT	44
SWIVEL BRACKET GROUP	28

NOTE: Indented description indicate that these parts are included in preceeding assembly.

AR = As Required

NSS = Not Sold Separate

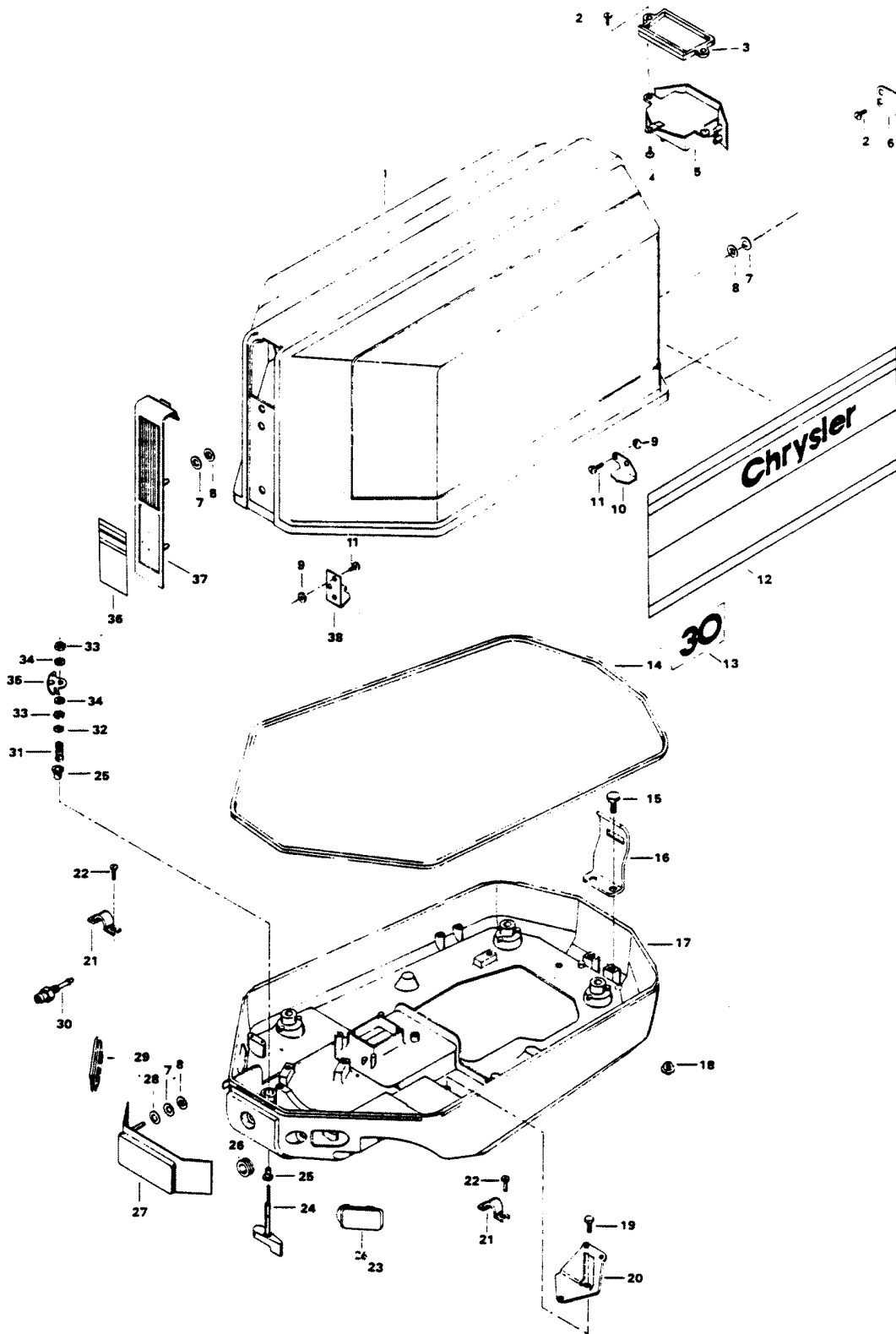
OPT = Optional

NS = Not Shown

THESE PARTS BOOKS/FICHE CARD ARE COPYRIGHTED AND MAY NOT BE DISTRIBUTED OR REPRODUCED IN ANY OTHER FORMAT BY ANYONE OTHER THAN MERCURY MARINE WITHOUT THE PRIOR WRITTEN CONSENT OF MERCURY MARINE.

THIS PAGE INTENTIONALLY LEFT BLANK

ENGINE COVER AND SUPPORT PLATE

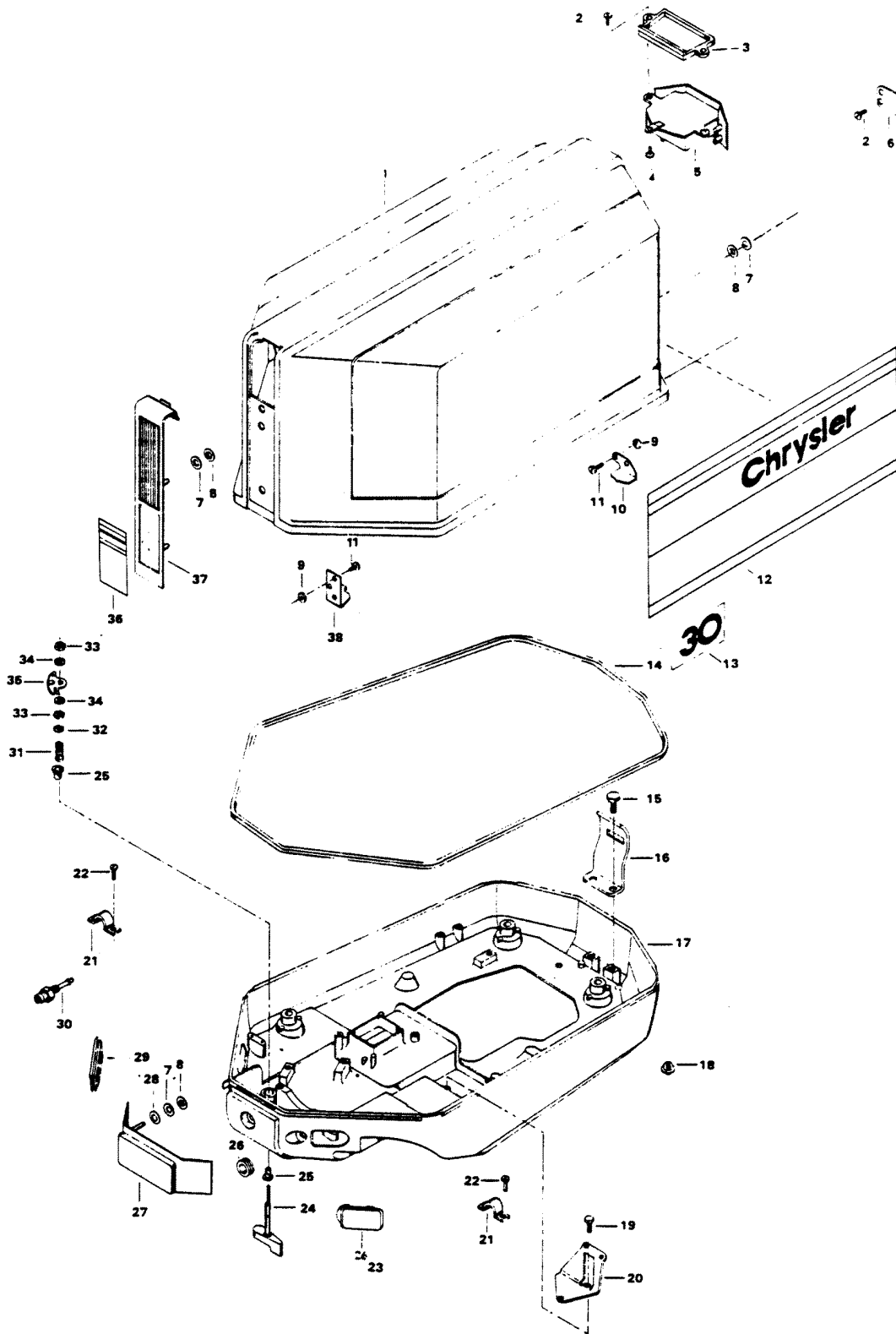


ENGINE COVER AND SUPPORT PLATE

REF. NO.	PART NO.	SYM.	QTY.	DESCRIPTION
1	100-818015A1		1	ENGINE COVER W/ILLUS. 9, 10, 11 AND 38 ORIGINAL FORCE P/N S 529712-1
-	2C603712		1	ENGINE COVER COMPLETE. INCLUDES ALL ITEMS MARKED WITH AN ASTERISK (*). ORDER NUMERAL SEPARATE
2	F2066		6	PAN HD SCREW, 10 X 7/16
3	F458245-1		1	BAFFLE TILT HANDLE
4	F2025		1	PAN HD SCREW, 10 X 5/8
5	817842A1		1	TILT HANDLE W/LITERATURE ORIGINAL FORCE P/N A 513269-1
6	F463864		2	RETAINER, TILT HANDLE
7	F85735-1		4	SEAL
8	F1753		4	FASTENER
9	F7011		4	HEX NUT, 10 - 24
10	FA458480		1	RETAINER, ENGINE COVER REAR W/ILLUS. 9 AND 11
11	F1475		4	FILL HD SCREW, 10 - 24 X 1/2
12	FA603397		1	DECAL, ENGINE COVER - PORT W/LITERATURE
-	FA603396		1	DECAL, ENGINE COVER - STARBOARD W/LITERATURE
13	FA604386		2	DECAL, NUMERAL 30 W/LITERATURE
14	F85756		1	PACKING, ENGINE COVER
15	F1922		2	HEX HD MACHINE SCREW, 1/4 - 20 X 5/8
16	F461774		1	BRACKET, RETAINER REAR
17	F458038-2		1	SUPPORT PLATE
18	F1632		1	PLASTI-PLUG
19	F1236		2	HEX CAP SCREW, 1/4 - 20 X 1/2
20	F458371		1	BRACKET, REMOTE THROTTLE CABLE
21	F154317		2	CLAMP, REMOTE CABLE
22	F2107		4	SLOTTED FILL HD SCREW W/SPRING LOCKWASHER, 10 - 24 X 5/8
23	F462840		1	GROMMET, REMOTE THROTTLE CABLE
24	FA413469		1	COVER LATCH HANDLE W/SHAFT
25	F307818		2	BEARING, LATCH SHAFT
26	F53504		1	GROMMET, SUPPORT PLATE
27	817813A1		1	COVER, SUPPORT PLATE W/LITERATURE ORIGINAL FORCE P/N A 460163-1
28	F8011		1	PLAIN WASHER
29	F462840		1	GROMMET, REMOTE SHIFT CABLE
30	F434767		1	BUSHING, FUEL LINE
31	F183300		1	SPRING, LATCH SHAFT
32	F185764		1	RETAINING RING
33	F1515		2	HEX JAM NUT, 5/16 - 18

CONTINUED ON NEXT PAGE ➡

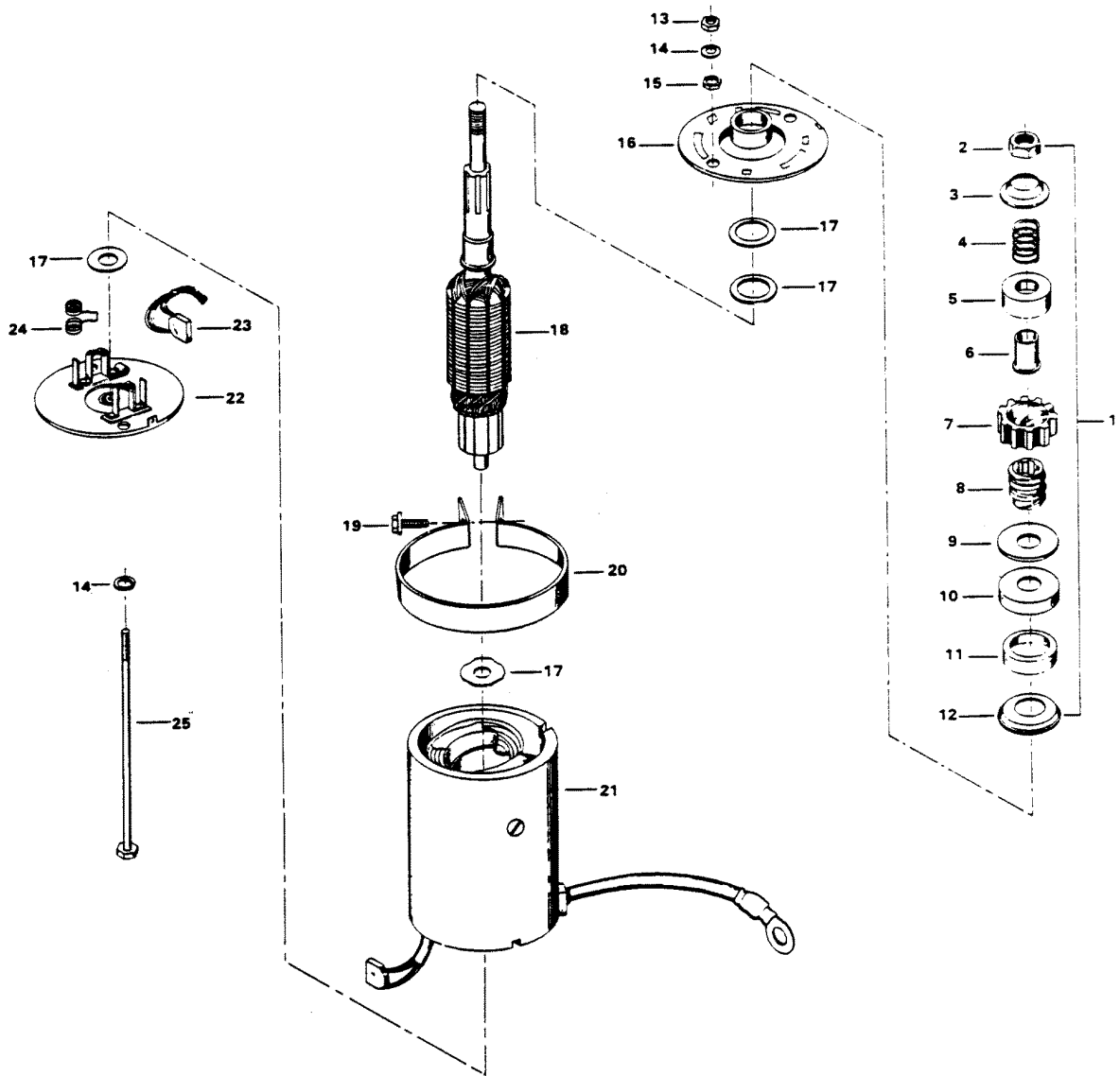
ENGINE COVER AND SUPPORT PLATE



ENGINE COVER AND SUPPORT PLATE

REF. NO.	PART NO.	SYM.	QTY.	DESCRIPTION
34	F8096		2	SPRING LOCKWASHER
35	F89777-1		1	CAM, ENGINE COVER LATCH
36	FA603892		1	DECAL, ENGINE COVER FRONT W/LITERATURE
37	F603711		1	PLATE, FRONT
38	FA458778		1	RETAINER, ENGINE COVER FRONT W/ILLUS. 9 AND 11

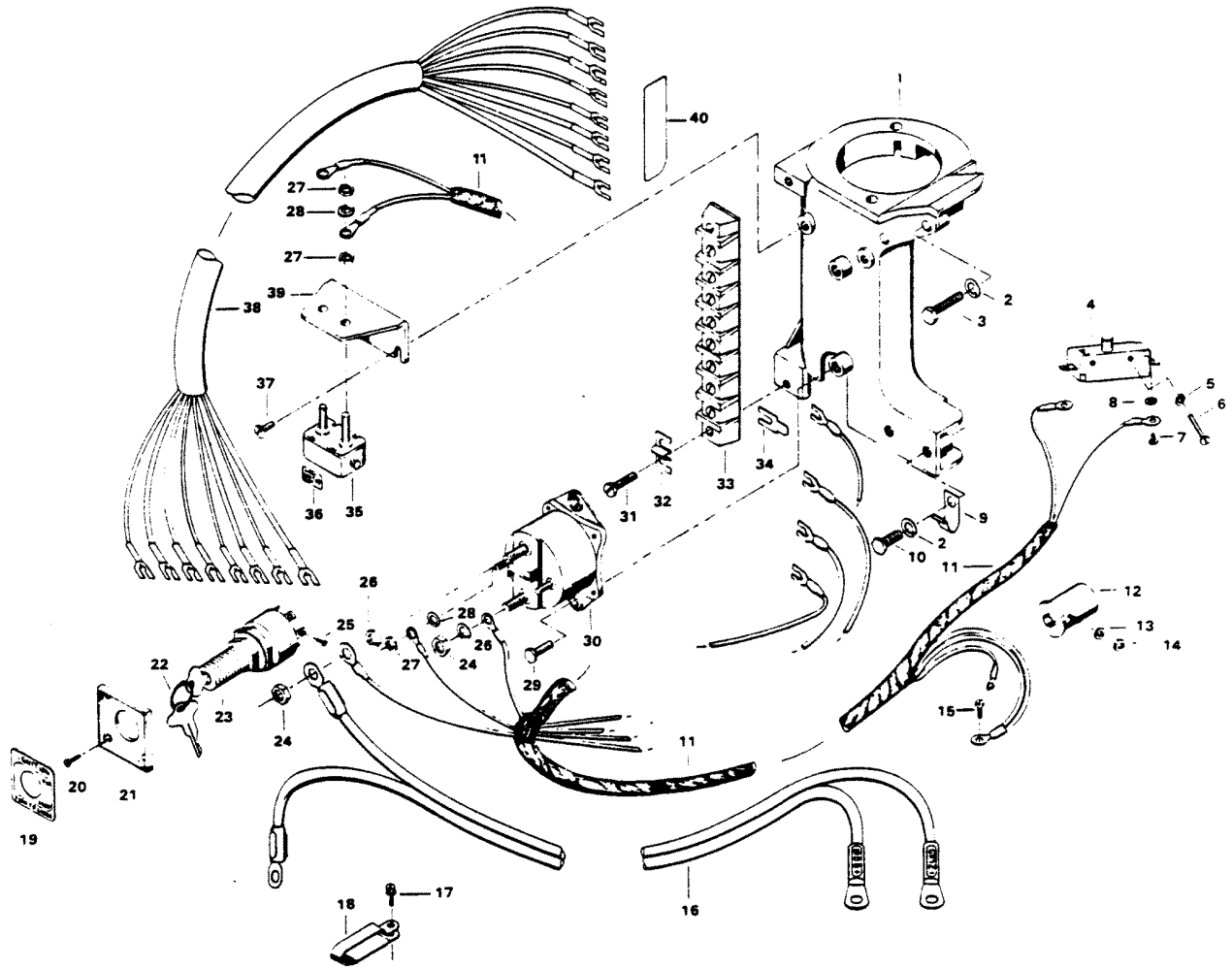
ELECTRIC STARTER



ELECTRIC STARTER

REF. NO.	PART NO.	SYM.	QTY.	DESCRIPTION
1	F15095		1	BENDIX DRIVE
2	F15087		1	HEX NUT
3	F15109		1	CUP, STOP
4	F15102		1	SPRING, ANTI-DRIFT
5	F15107		1	CUP, PINION
6	F15108		1	SLEEVE
7	F15103		1	PINION
8	FK15084		1	SCREW SHAFT
9	F15091		1	WASHER
10	F15105		1	CUP, CUSHION
11	F15106		1	CUSHION
12	F15104		1	CUP, CUSHION THRUST
13	F1514		2	HEX JAM NUT, 1/4 - 20
14	F8083		2	SPRING LOCKWASHER
15	F1341		2	HEX NUT, 1/4 - 20
16	F15021-1		1	HEAD ASSEMBLY DRIVE END
17	F15098		1	THRUST WASHER PACKAGE
18	F15010		1	ARMATURE
19	F1705		1	HEX CAP SCREW, 1/4 - 20 X 3/4
20	F460573		1	CLAMP, STARTER MOTOR
21	F15117		1	FRAME AND FIELD ASSEMBLY
22	F15019-1		1	HEAD ASSEMBLY COMMUTATOR END
23	F15015		1	BRUSH SET
24	F15002		1	SPRING SET
25	F15097		1	THRU BOLT PACKAGE
-	F460955		1	STARTER MOTOR COMPLETE. INCLUDES ALL ITEMS MARKED W/AN ASTERISK (*)
-	FC513390		1	DECAL STARTER - CANADA (NOT SHOWN)

ELECTRICAL COMPONENTS

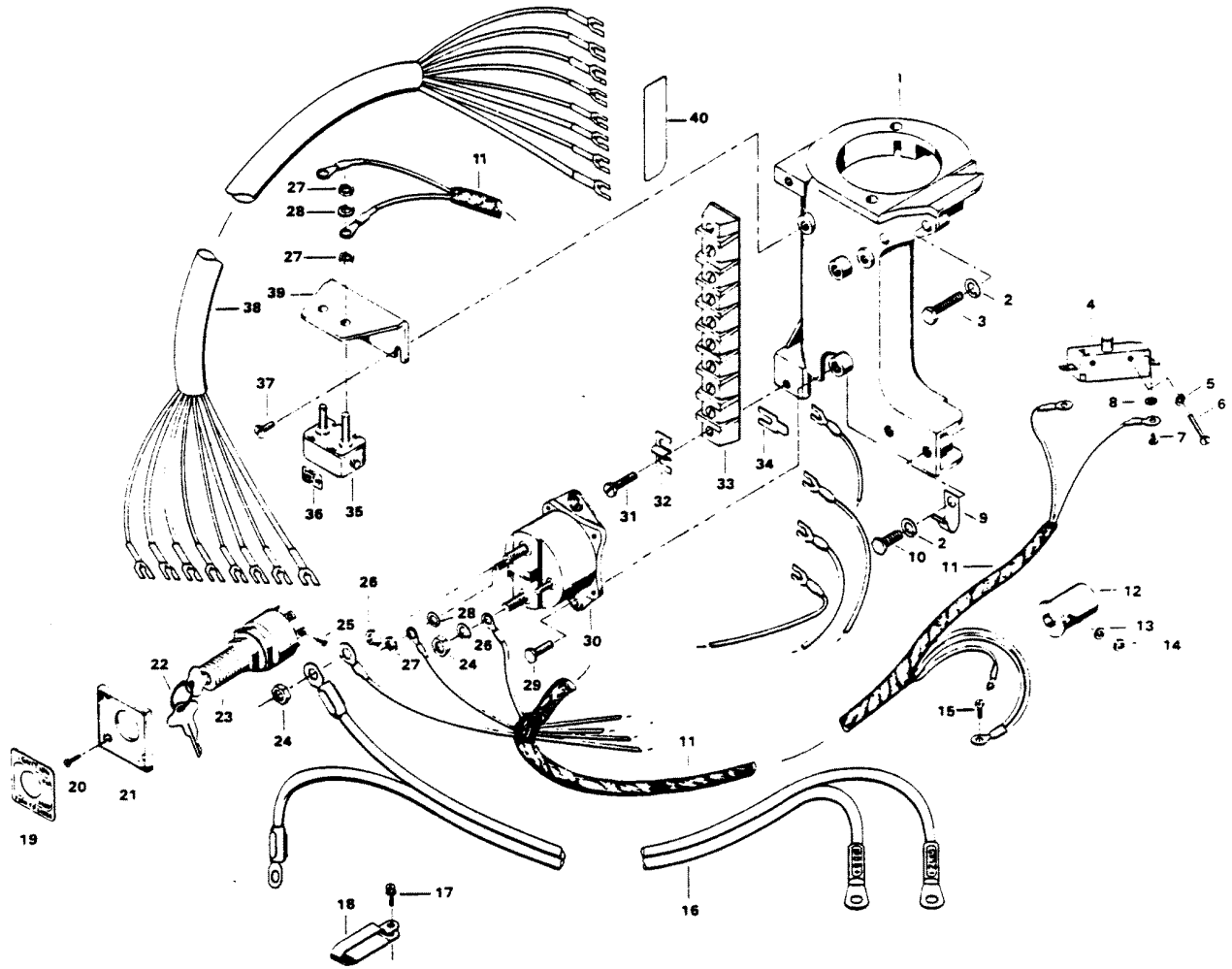


ELECTRICAL COMPONENTS

REF. NO.	PART NO.	SYM.	QTY.	DESCRIPTION
1	F460427		1	BRACKET, STARTER MOTOR
2	F8083		4	SPRING LOCKWASHER
3	F1916		3	HEX HD M. SCREW, 1/4 - 20 X 1-1/8
4	F84449		1	SWITCH, STARTER INTERLOCK
5	F8088		2	PLAIN WASHER
6	F2016		2	FILL HD SCREW, 6 - 32 X 7/8
7	F1645		2	ROUND HD SCREW, 6 - 32 X 7/8
8	F1704		2	INTERNAL TOOTH LOCKWASHER
9	F286772-1		1	CLAMP, FUEL PUMP TO CARBURETOR HOSE
10	F1100		1	SLOTTED FILL HD SCREW, 1/4 - 20 X 1-1/8
11	F529744		1	WIRING HARNESS
12	F85924		1	CHOKE SOLENOID
13	F8056		1	SPRING LOCKWASHER
14	F1647		1	HEX NUT
15	F1077		1	FILL HD SCREW, 10 - 24 X 1/2
16	F381896-4		1	CABLE, BATTERY ENTRY
17	F1734		1	FILL HD MACHINE SCREW W/SPRING LOCKWASHER, 1/4 - 20 X 1/2
18	F407446		1	CLAMP, BATTERY CABLE
19	F412181-1		1	PLATE, IGNITION - U.S.A.
-	817892--1		1	PLATE, IGNITION - CANADA
20	F1934		4	FLAT HD SLOTTED SCREW
21	F411420		1	RETAINER, SWITCH PLATE
22	FA368700		1	IGNITION KEY - NO LETTER OR STAMPED A
-	FB368700		1	IGNITION KEY - STAMPED B
-	FC368700		1	IGNITION KEY - STAMPED C
-	FD368700		1	IGNITION KEY - STAMPED D
-	FE368700		1	IGNITION KEY - STAMPED E
23	F5H078		1	IGNITION SWITCH (ACCESSORY ITEM)
24	F1515		2	HEX NUT
25	F1280		5	PAN HD SCREW, 8 - 32 X 1/4
26	F8096		2	SPRING LOCKWASHER
27	F1513		6	HEX NUT, 10 - 32
28	F1975		4	SPRING LOCKWASHER
29	F1854		2	HEX CAP SCREW, 1/4 - 20 X 5/8
30	F460917		1	STARTER RELAY
31	F1648		2	PAN HD SCREW, 10 - 24 X 3/4
32	F307317		1	CLIP, TERMINAL BLOCK GROUND
33	FA510497		1	TERMINAL BLOCK W/ILLUS. 31 ORIGINAL FORCE P/N K 289497-2
34	F296898		1	TERMINAL
35	F510460		1	CIRCUIT BREAKER
36	F510374-1		1	DECAL, CIRCUIT BREAKER - U.S.A.
-	FC510374		1	DECAL, CIRCUIT BREAKER - CANADA

CONTINUED ON NEXT PAGE ➡

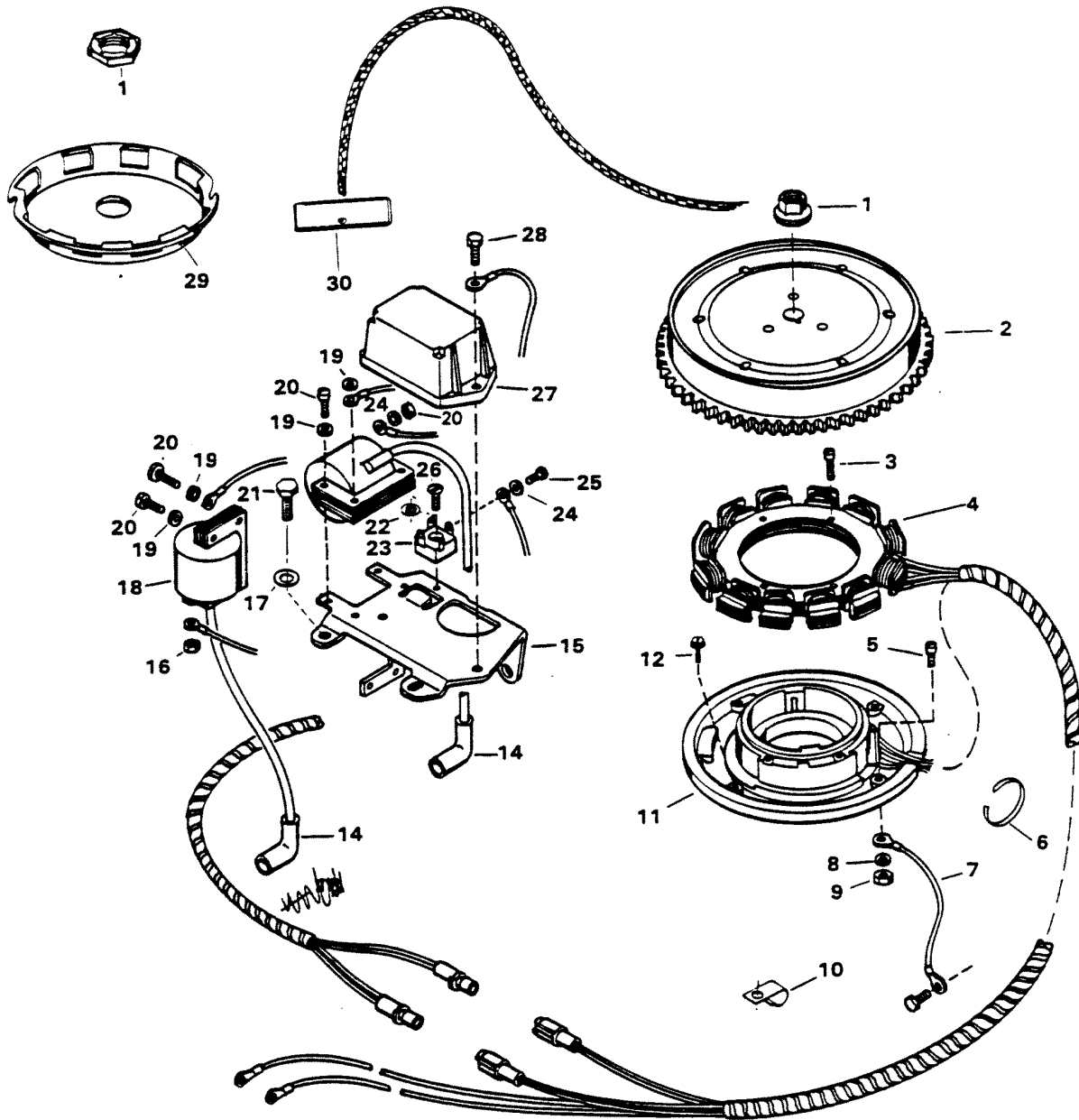
ELECTRICAL COMPONENTS



ELECTRICAL COMPONENTS

REF. NO.	PART NO.	SYM.	QTY.	DESCRIPTION
37	F1733		2	PAN HD SCREW, 10 - 24 X 1/2 - 10 - 24 X 9/16
38	F85843-1		1	CABLE, ELECTRIC CONTROL
39	F91446-1		1	BRACKET, CIRCUIT BREAKER
40	F529398		1	DECAL, WIRING - U.S.A.
-	FC529398		1	DECAL, WIRING - CANADA

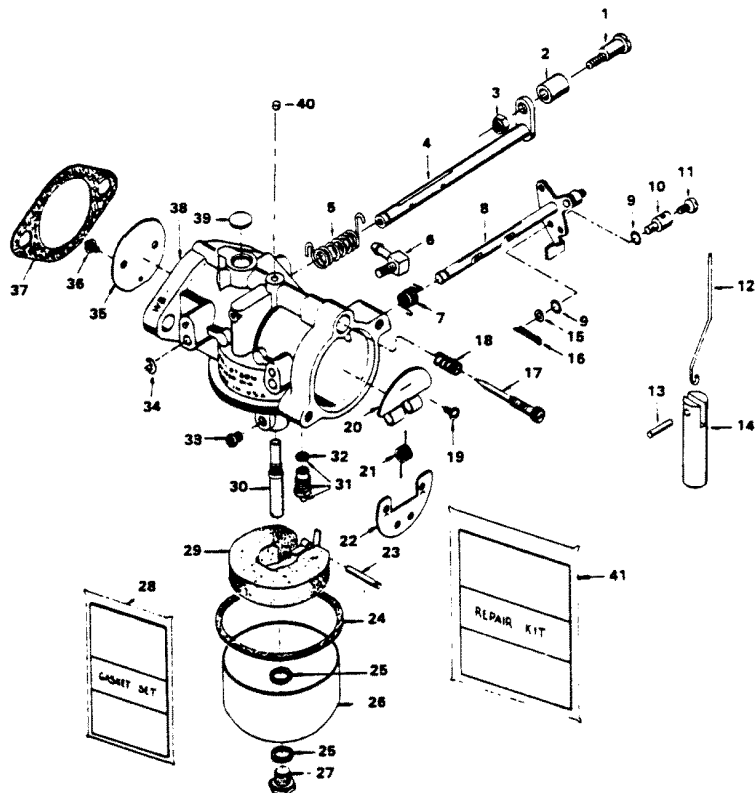
ALTERNATOR COMPONENTS



ALTERNATOR COMPONENTS

REF. NO.	PART NO.	SYM.	QTY.	DESCRIPTION
1	F2021		1	FLYWHEEL NUT, 5/8 - 18
2	F529097		1	FLYWHEEL
3	F1995		4	SLOTTED FILL HD SCREW, 10 - 24 X 1
4	F529095		1	STATOR GROUND WIRE
5	F2010		3	FILL HD SCREW, 10 - 32 X 9/16
6	F1877		1	TY-RAP
7	F460664		1	STATOR GROUND WIRE
8	F8059		1	SPRING LOCKWASHER
9	F1513		1	HEX NUT, 10 - 32
10	F286772-1		1	CLAMP
11	F529029		1	STATOR TRIGGER
12	F1092		1	FILL HD SCREW, 10 - 32 X 5/8
14	FK1123		2	SPARKIE KIT
15	F529358		1	BRACKET, ELECTRICAL COMPONENTS
16	F1337		2	NUT, 6 - 32
17	F2012		2	PLAIN WASHER
18	F510475		2	IGNITION COIL
19	F1975		8	LOCKWASHER
20	F1648		8	PAN HD SCREW, 10 - 24 X 3/4
21	F1200		2	HEX HD SCREW, 1/4 - 20 X 1/2
22	F8078		1	LOCKWASHER #8
23	F510450-1		1	RECTIFIER
24	F1704		2	LOCKWASHER #6
25	F1645		4	ROUND HD SCREW, 6 - 32 X 1/4
26	F1552		1	PAN HD SCREW, 8 - 32 X 1/2
27	F529301		1	C-D MODULE
28	F1746		2	HEX CAP SCREW, 1/4 - 28 X 5/8
29	F458456		1	HAND STARTER COLLAR
30	FA27232		1	STARTER ROPE W/HANDLE

CARBURETOR

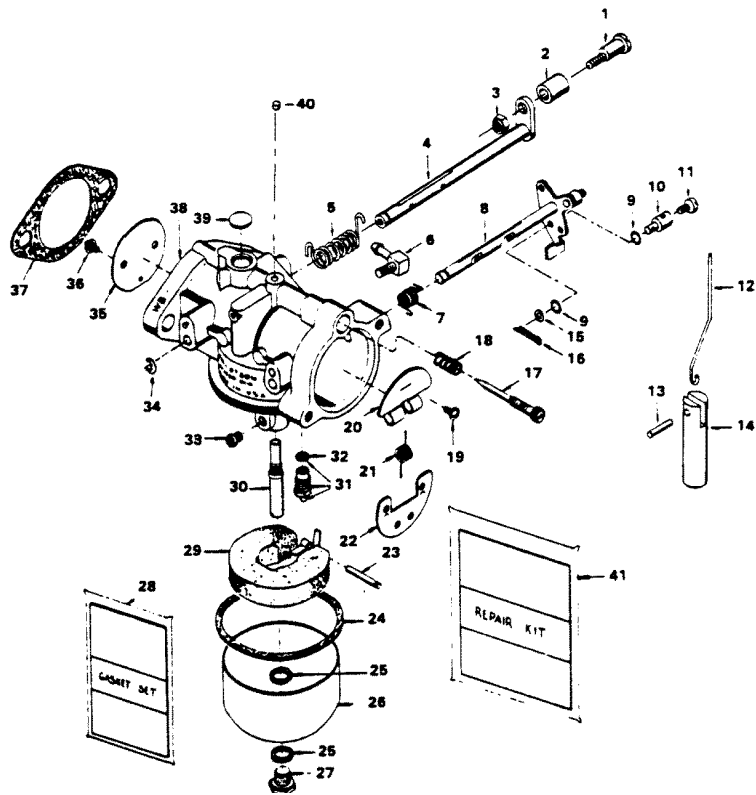


CARBURETOR

REF. NO.	PART NO.	SYM.	QTY.	DESCRIPTION
1	F333316		1	SHAFT, THROTTLE ROLLER
2	F92759		1	ROLLER, THROTTLE CAM FOLLOWER
3	F1997		1	LOCK NUT
4	FO17907		1	THROTTLE SHAFT AND LEVER
5	FO16563		1	THROTTLE SHAFT RETURN SPRING
6	F84314-2		1	ELBOW, CARBURETOR
7	FO16397		3	CHOKE SHAFT RETURN SPRING
8	FO16562		1	CHOKE SHAFT AND LEVER
9	F184579		2	SEAL, CHOKE ARM SWIVEL
10	F184033-1		1	SWIVEL, CHOKE ARM
11	F1059		1	FILL HD SCREW, 6 - 32 X 1/4
12	F460925		1	ROD
13	F2033		1	GROOVE PIN
14	F391926-1		1	PLUNGER
15	F8088		1	PLAIN WASHER
16	F1014		1	COTTER PIN
17	FO14166		1	IDLE MIXTURE SCREW
18	FO11103		1	IDLE MIXTURE SCREW SPRING
19	FO10280		1	CHOKE SHUTTER RETAINING SCREW AND LOCKWASHER
20	FO12251		1	CHOKE RELIEF VALVE
21	FO10883		1	CHOKE RELIEF VALVE SPRING
22	FO12250		1	CHOKE SHUTTER
23	FO13944		1	FLOAT LEVER PIN
24	FO15623		1	FUEL BOWL GASKET
25	FO2510		2	FUEL BOWL RETAINING SCREW GASKET
26	FO13552		1	FUEL BOWL
27	FO13945		1	FUEL BOWL RETAINING SCREW
28	FK10000		1	GASKET SET INCLUDES ALL ITEMS MARKED WITH A DOUBLE ASTERISK (**)
29	FO13554		1	FLOAT
30	FO15213		1	MAIN NOZZLE
31	FO10790		1	INLET NEEDLE, SEAT AND GASKET
32	FO10165		1	INLET SEAT GASKET
33	FO14108		1	MAIN FUEL JET .064 - STANDARD
-	FO14187		-	MAIN FUEL JET .062 - 1250 - 3750 FT. (OPT.)
-	FO14186		-	MAIN FUEL JET .060 - 3750 - 6250 FT. (OPT.)
-	FO15337		-	MAIN FUEL JET .058 - 6250 - 8250 FT. (OPT.)
34	FO16620		1	THROTTLE SHAFT POSITION "E" RING
35	FO17486		1	THROTTLE SHUTTER
36	FO8942		2	THROTTLE SHUTTER RETAINING SCREW AND LOCKWASHER

CONTINUED ON NEXT PAGE ➡

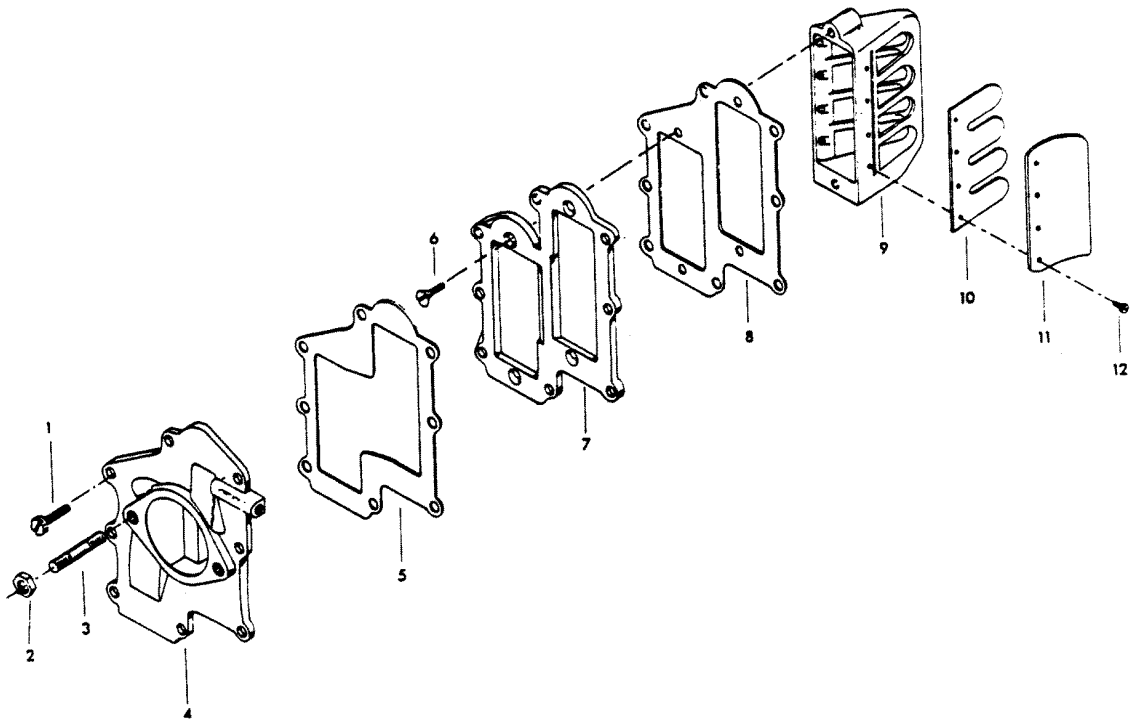
CARBURETOR



CARBURETOR

REF. NO.	PART NO.	SYM.	QTY.	DESCRIPTION
37	F40906-1		1	FLANGE GASKET
38	F543061		1	CARBURETOR COMPLETE (WB-30A)
39	FO4326		1	BODY CHANNEL WELCH PLUG
40	FO10588		3	BODY CHANNEL CUP PLUG
41	FK10027		1	REPAIR PARTS KIT INCLUDES ALL ITEMS MARKED WITH AN ASTERISK (*) .

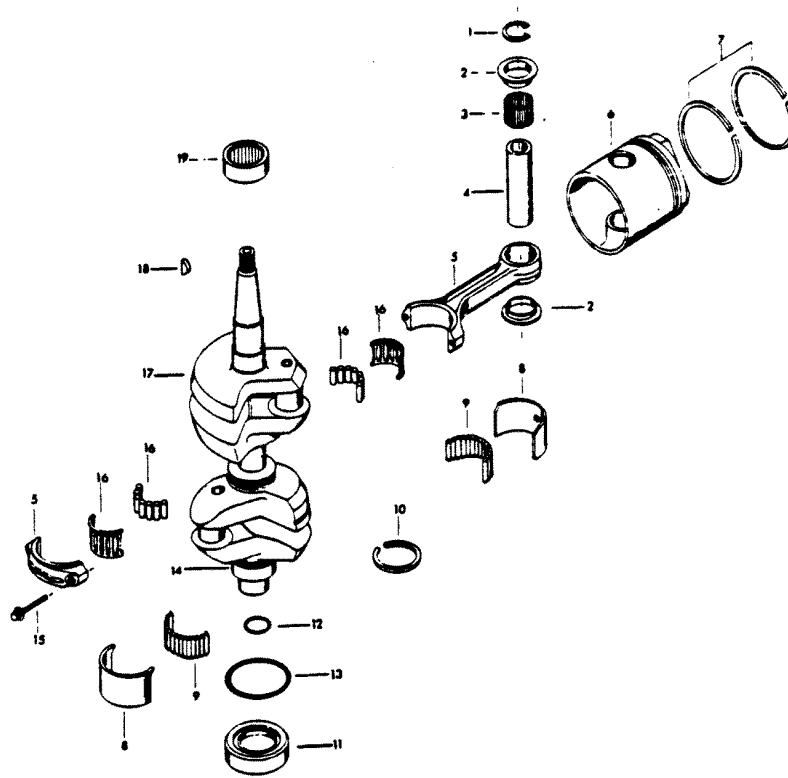
REED PLATE



REED PLATE

REF. NO.	PART NO.	SYM.	QTY.	DESCRIPTION
1	F2008		8	HEX HD MACHINE SCREW, 1/4 - 20 X 7/8
2	F1515		2	HEX NUT, 5/16 - 18
3	F40209		2	CARBURETOR STUD
4	FA458167		1	CARBURETOR ADAPTER W/ILLUS. 3
5	F433168		1	GASKET, CARBURETOR ADAPTER
6	F1141		4	FLAT HD SCREW, 10 - 24 X 1/2
7	F433404		1	DEFLECTOR PLATE
8	F433406		1	GASKET, DEFLECTOR PLATE
9	FA572158		2	REED PLATE W/METERING CUP
10	F316160		4	REED
11	F502161		4	REED STOP
12	F1755		16	ROUND HD SCREW W/LOCKWASHER, 6 - 32 X 5/16

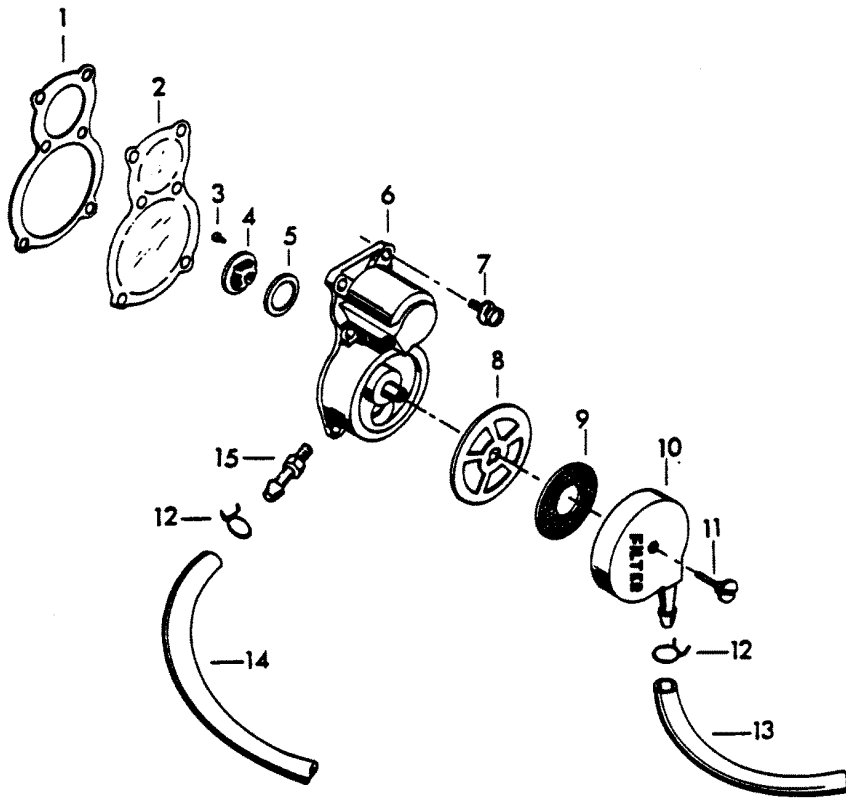
CRANKSHAFT AND PISTON GROUP



CRANKSHAFT AND PISTON GROUP

REF. NO.	PART NO.	SYM.	QTY.	DESCRIPTION
1	F428096		4	RETAINER, PISTON PIN
2	F366215		4	SPACER, PISTON PIN
3	F335217-1		2	BEARING, PISTON PIN
4	F40017-2		2	PISTON PIN
5	600-818052A4		2	CONNECTING ROD W/CAP AND ILLUS. 15 ORIGINAL FORCE P/N S 366016-4
6	F513015-1		2	PISTON
7	FA463260		1	PISTON RING SET (4 PER SET)
8	FA458655		1	LINER, CENTER MAIN (1 SET)
9	FA458571		1	ROLLER, CENTER MAIN
10	F458579		1	SEAL, CRANKCASE
11	F2A458581		1	COLLAR W/LOWER CRANKSHAFT SEAL
12	F455305		1	SEAL, CRANKSHAFT COLLAR
13	F458342		1	SEAL, CRANKSHAFT SPINE
14	F286028		1	CRANKSHAFT LOWER MAIN BEARING
15	F85634-2		4	SCREW, CONNECTING ROD
16	FK85228-1		2	BEARING CAGE W/ROLLERS (16 PER SET)
17	400-818061A1		1	CRANKSHAFT W/ILLUS. 14 ORIGINAL FORCE P/N 2A 497018-1
18	F85498		1	FLYWHEEL KEY
19	F458028		1	BEARING, CRANKSHAFT UPPER MAIN

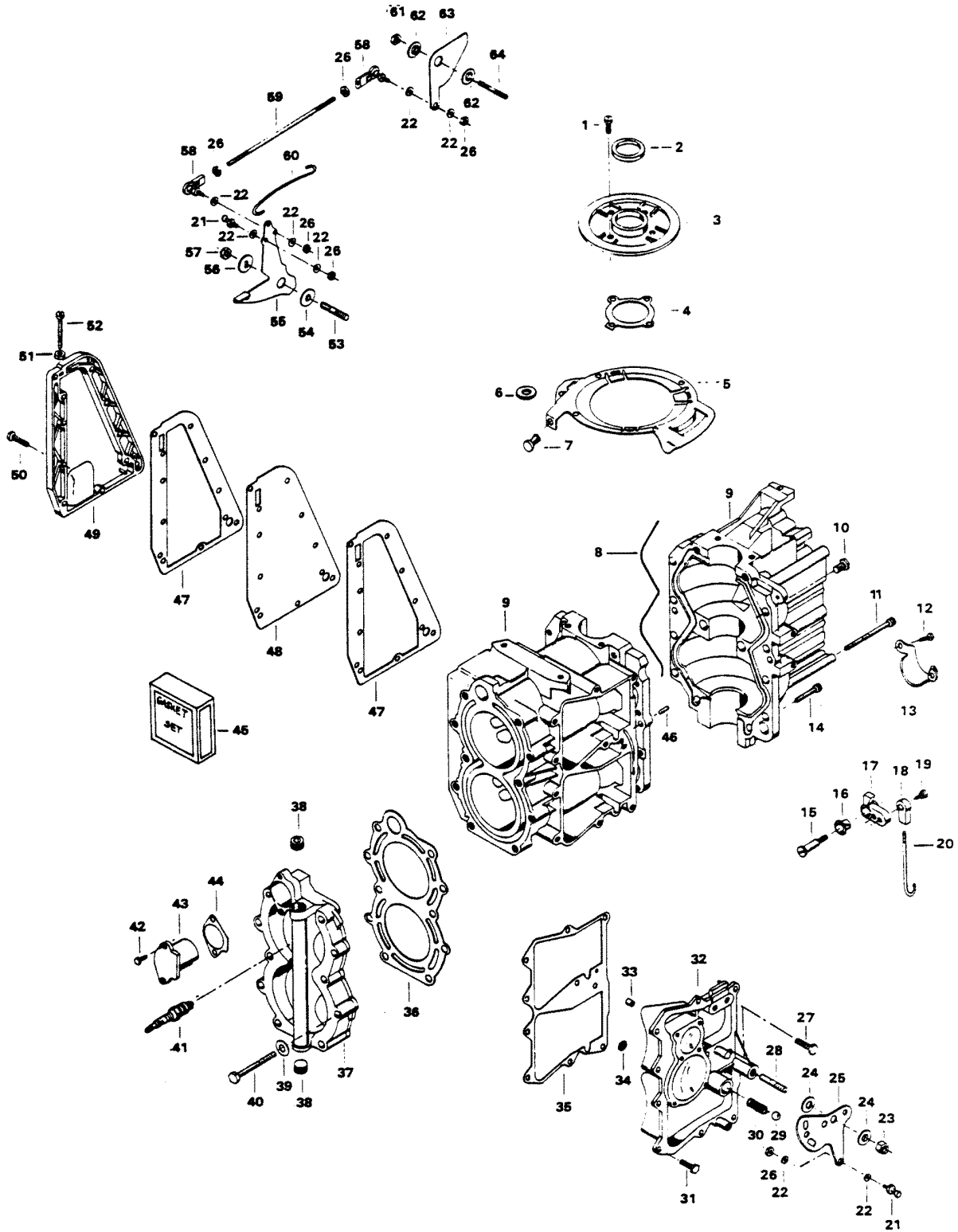
FUEL PUMP



FUEL PUMP

REF. NO.	PART NO.	SYM.	QTY.	DESCRIPTION
1	F438760		1	FUEL PUMP GASKET
2	F438747		1	FUEL PUMP DIAPHRAGM
3	F1860		2	BINDING HD MACHINE SCREW, 6 - 32 X 1/4
4	F177330		1	FUEL PUMP VALVE
5	F84792		3	FUEL PUMP GASKET
6	FA438431		1	FUEL PUMP BODY W/ILLUS. 3, 4 AND 5
7	F1108		6	FILL HD MACHINE SCREW W/LOCKWASHER, 1/4 - 20 X 3/4
8	F438617		1	GASKET, FUEL PUMP BOWL
9	F438653		1	SCREEN, FUEL PUMP
10	F438500		6	FUEL PUMP BOWL
11	F438165		1	SCREW, FUEL PUMP BOWL
12	F97772		4	FUEL LINE CLAMP
13	FA85754-1		1	HOSE, FUEL PUMP TO BUSHING W/ILLUS. 12
14	F458754		1	HOSE, FUEL PUMP TO CARBURETOR
15	F438801		1	FITTING, FUEL PUMP BODY

POWER HEAD

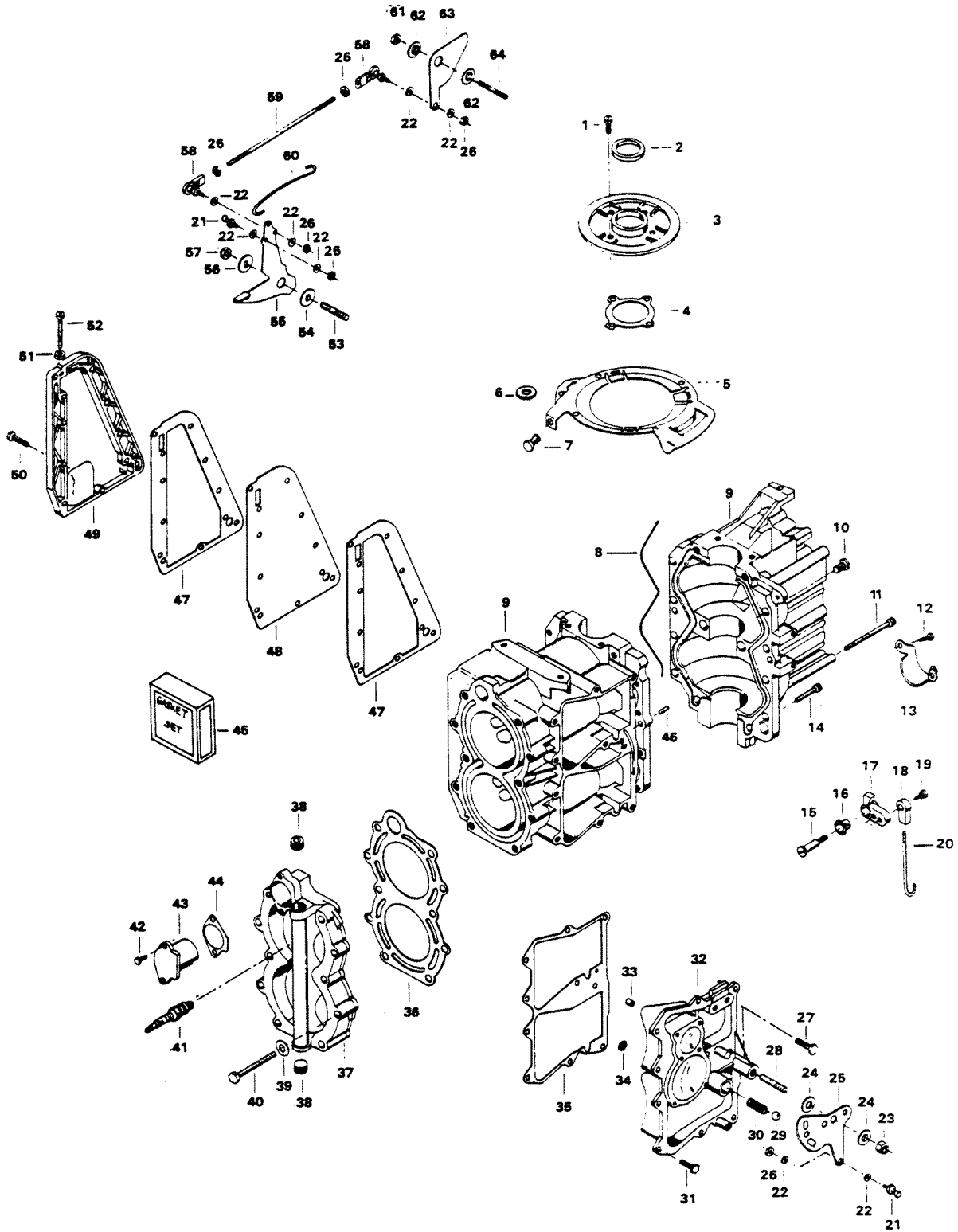


POWER HEAD

REF. NO.	PART NO.	SYM.	QTY.	DESCRIPTION
1	F1107		4	FILL HD SCREW, 1/4 - 20 X 3/4
2	F458146		1	SEAL, CRANKSHAFT UPPER MAIN
3	FA458144		1	CRANKSHAFT BEARING CAGE WILLUS. 2
4	F458277		1	GASKET, CRANKSHAFT BEARING CAGE
5	FA504082		1	MAGNETO STATOR RING WILLUSTRATION 6
6	F8000		1	PLAIN WASHER
7	F1727		1	PLASTI-RIVET
8	F269122-1		1	SEAL, CRANKCASE PARTING LINE
9	FA573010		1	CYLINDER W/CRANKCASE COVER ILLUS. 8, 11, 14, 17 AND 47
-	FC573010		1	SHORT BLOCK FOR ALTERNATOR MODELS. INCLUDES ALL ITEMS MARKED WITH AN ASTERISK (*). ALSO REFER TO CRANKSHAFT AND PISTON PAGE.
10	F1864		8	HEX HD SCREW, 1/4 - 20 X 3/4
11	F2005		2	HEX SOCKET HD CAP SCREW, 5/16 - 18 X 2-3/4
12	F1689		2	HEX CAP SCREW, 1/4 - 20 X 1/2
13	F460317		1	CLAMP, SOLENOID FOR ELECTRIC START
14	F2013		4	HEX SOCKET HD CAP SCREW, 5/16 - 18 X 1-1/4
15	F85026		1	SWIVEL, SHIFT INTERLOCK LEVER
16	F307818		1	BEARING
17	F458977-3		1	LEVER, SHIFT INTERLOCK
18	F84035-2		1	BEARING, SHIFT INTERLOCK ROD
19	F84026		1	SWIVEL, SHIFT INTERLOCK BEARING
20	817805A1		1	ROD, SHIFT INTERLOCK
21	F98273		2	ROD END CONNECTOR STUD
22	F8058		8	INTERNAL TOOTH LOCKWASHER
23	F7004		1	LOCK NUT, 3/8 - 16
24	F269052		2	BEARING, SHIFT LEVER
25	817808A2		1	LEVER, GEAR SHIFT
26	F1513		6	HEX NUT, 10 - 32
27	F1922		1	HEX HD SCREW, 1/4 - 20 X 5/8
28	F440209		1	STUD, GEAR SHIFT LEVER
29	F458727		1	BALL, SHIFT LEVER DETENT
30	F183300		1	SPRING, SHIFT DETENT
31	F1922		9	HEX CAP SCREW, 1/4 - 20 X 5/8
32	FA572222		1	TRANSFER PORT COVER WILLUS. 34
33	21-817741A1		2	VALVE, CHECK W/LITERATURE ORIGINAL FORCE P/N A 213740-1
34	F429811		2	SCREEN, CYLINDER DRAIN
35	F458223		1	GASKET, TRANSFER PORT COVER
36	F513529		1	GASKET, CYLINDER HEAD
37	FA513518		1	CYLINDER HEAD WILLUS. 39
38	F458109		2	PLUG, CYLINDER HEAD
39	F1739		7	PLAIN WASHER (ELECTRIC START)

CONTINUED ON NEXT PAGE ➡

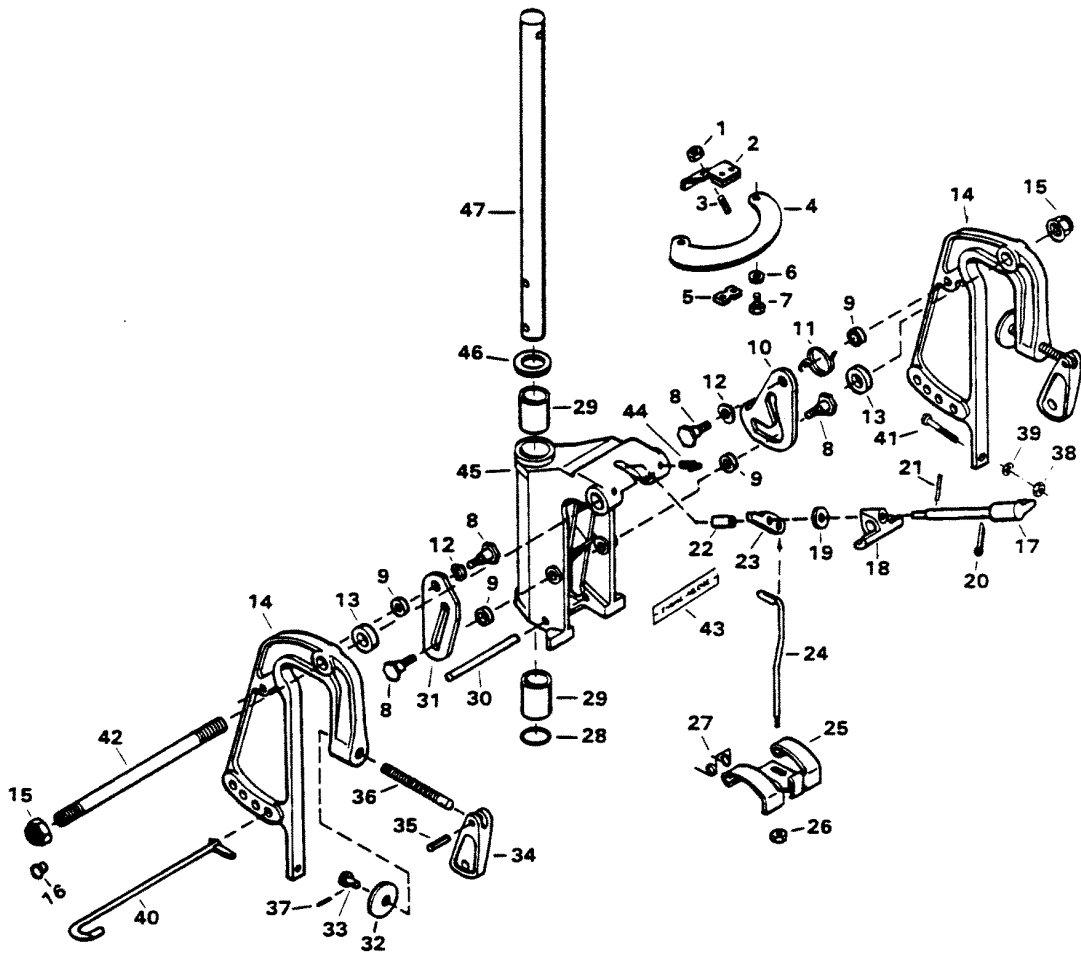
POWER HEAD



POWER HEAD

REF. NO.	PART NO.	SYM.	QTY.	DESCRIPTION
40	F458936		10	SCREW, CYLINDER HEAD
41	33-82370M		2	SPARK PLUG (L 82)
-	FC503227		2	SPARK PLUG (CHAMPION QL-77-4J) FOR CANADA
42	F1854		2	HEX CAP SCREW, 1/4 - 20 X 5/8
43	F458066		1	THERMOSTAT COVER
44	F458067		1	GASKET, THERMOSTAT COVER
45	FG1014		1	GASKET SET INCLUDES ITEMS LISTED BELOW:
-	F40906-1		1	GASKET, CARBURETOR
-	F84792		3	GASKET, FUEL PUMP VALVE
-	F433168		1	GASKET, CARBURETOR ADAPTER
-	F433406		1	GASKET, DEFLECTOR PLATE
-	F438617		1	GASKET, FUEL PUMP BOWL
-	F438760		1	GASKET, FUEL PUMP
-	F458067		1	GASKET, THERMOSTAT COVER
-	F458154		2	GASKET, EXHAUST PORT PLATE
-	F458223		1	GASKET, TRANSFER PORT COVER
-	F458277		1	GASKET, CRANKSHAFT BEARING CAGE
-	F458279		1	GASKET, CYLINDER EXHAUST
-	F458453		1	GASKET, LEG EXHAUST
-	F513529		1	GASKET, CYLINDER HEAD
46	F8559		2	DOWEL PIN
47	F458154		2	GASKET, EXHAUST PORT PLATE
48	F458151		1	EXHAUST PORT PLATE
49	F458152		1	EXHAUST PORT COVER
50	F1532		10	HEX HD SCREW, 1/4 - 20 X 1
51	F1341		1	HEX NUT
52	F1072		1	FILL HD SCREW, 1/4 - 20 X 1-3/4
53	F286440		1	STUD, MAGNETO CONTROL LEVER
54	F183813		1	BEARING
55	F2A458081		1	MAGNETO CONTROL LEVER W/ILLUS. 21, 22 AND 26
56	F286282		1	WASHER
57	F1803		1	STOP NUT
58	817747--1		2	JOINT, BALL ASSEMBLY
59	F458502		1	ROD, THROTTLE CAM
60	F458509		1	LINK, MAGNETO STATOR
61	F1910		1	LOCK NUT
62	F269319		2	BEARING, THROTTLE CAM
63	F458192		1	THROTTLE CAM
64	F433209-1		1	STUD, THROTTLE CAM

SWIVEL BRACKET GROUP

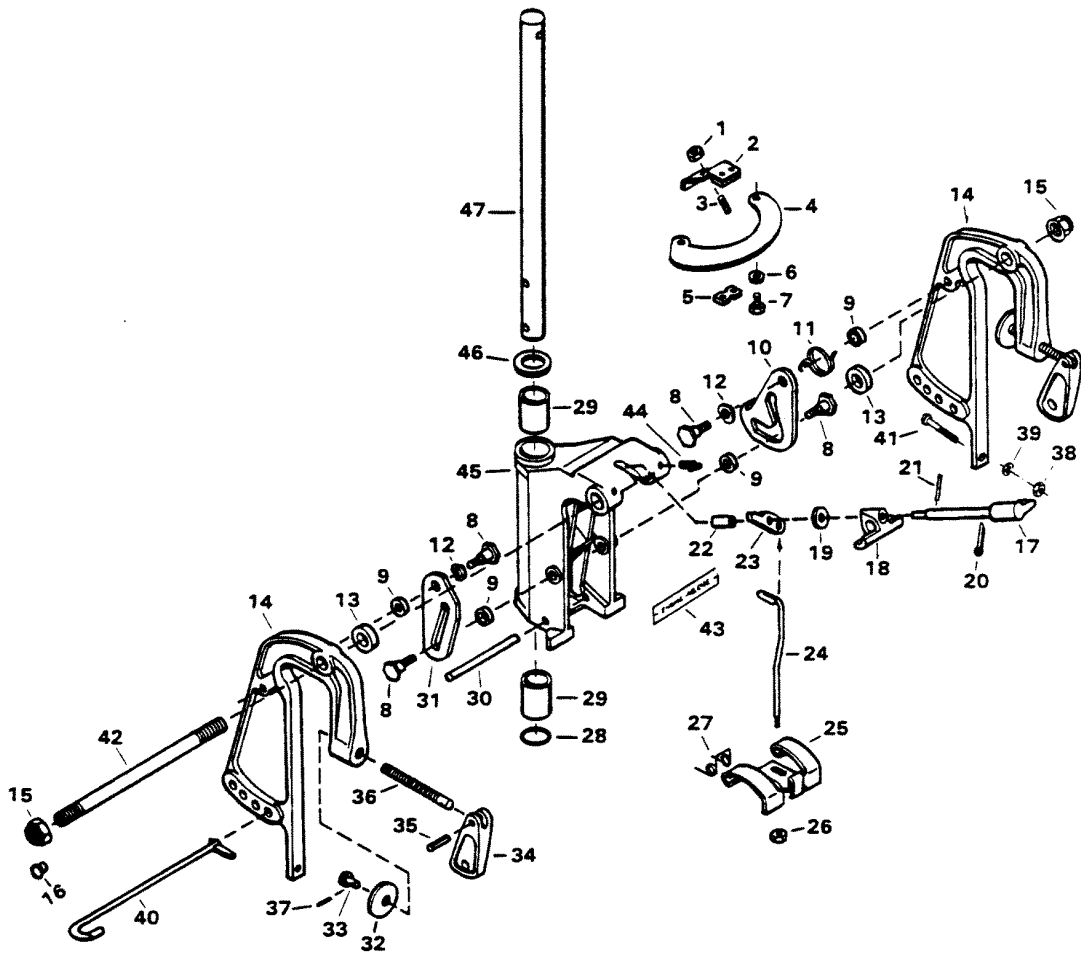


SWIVEL BRACKET GROUP

REF. NO.	PART NO.	SYM.	QTY.	DESCRIPTION
1	F7024		1	STOP NUT
2	817882A1		1	FRICION SHOE ADJUSTING ARM W/ILLUS. 5 ORIGINAL FORCE P/N A 901742-1
3	F901822-1		1	STUD, SWIVEL BRACKET
4	F901775		1	PLATE, FRICTION SHOE
5	F901631-1		1	FRICTION SHOE
6	F8083		2	SPRING LOCKWASHER
7	F1689		2	HEX CAP SCREW, 1/4 - 20 X 1/2
8	F286422-1		4	PIVOT, TILT LOCK
9	F286451		4	SPACER, TILT LOCK
10	F436541		1	TILT LOCK - PORT
11	F286544-1		1	SPRING, TILT LOCK
12	F1666		2	BOWED SPRING WASHER
13	F529286		4	WASHER, SWIVEL BRACKET FRICTION
14	FS529532		2	STERN BRACKET PORT W/ILLUS. 32, 33, 36 AND 37
15	F1600		2	STOP NUT
16	F9018		2	CAP, PIVOT STEERING TUBE
17	F483827		1	LEVER, REVERSE LOCK
18	F529726		1	BEARING, REVERSE LOCK
19	F8094		1	PLAIN WASHER
20	F1014		1	COTTER PIN
21	F1836		1	SPRING PIN
22	F483884		1	BEARING, REVERSE LOCK
23	F366364		1	ARM, REVERSE LOCK
24	F483510-1		1	LINK, REVERSE LOCK
25	F483349-1		1	REVERSE LOCK
26	F1669		1	NUT
27	F483300		1	SPRING
28	F458783		1	SEAL, SWIVEL BRACKET
29	F901169-1		2	BEARING, SWIVEL BRACKET
30	F2095		1	SPRING PIN
31	F385433		1	TILT STOP
32	F24074		2	CLAMP SCREW FOOT
33	F66480		2	STUD
34	F288075		2	HANDLE, STERN BRACKET CLAMP SCREW
35	F1638		2	SPRING PIN
36	817776A3		2	STERN BRACKET CLAMP SCREW W/ILLUS. 32, 33, 34, 35 AND 37 ORIGINAL FORCE P/N A 324073-3
37	F8537		2	SPRING PIN
38	F1515		2	HEX NUT, 5/16 - 18
39	F1904		2	PLAIN WASHER
40	FA324113		1	STERN BRACKET LOCK BAR W/END
41	F2027		2	HEX CAP SCREW, 5/16 - 18 X 3
42	F529125-1		1	TUBE, PIVOT STEERING

CONTINUED ON NEXT PAGE ➡

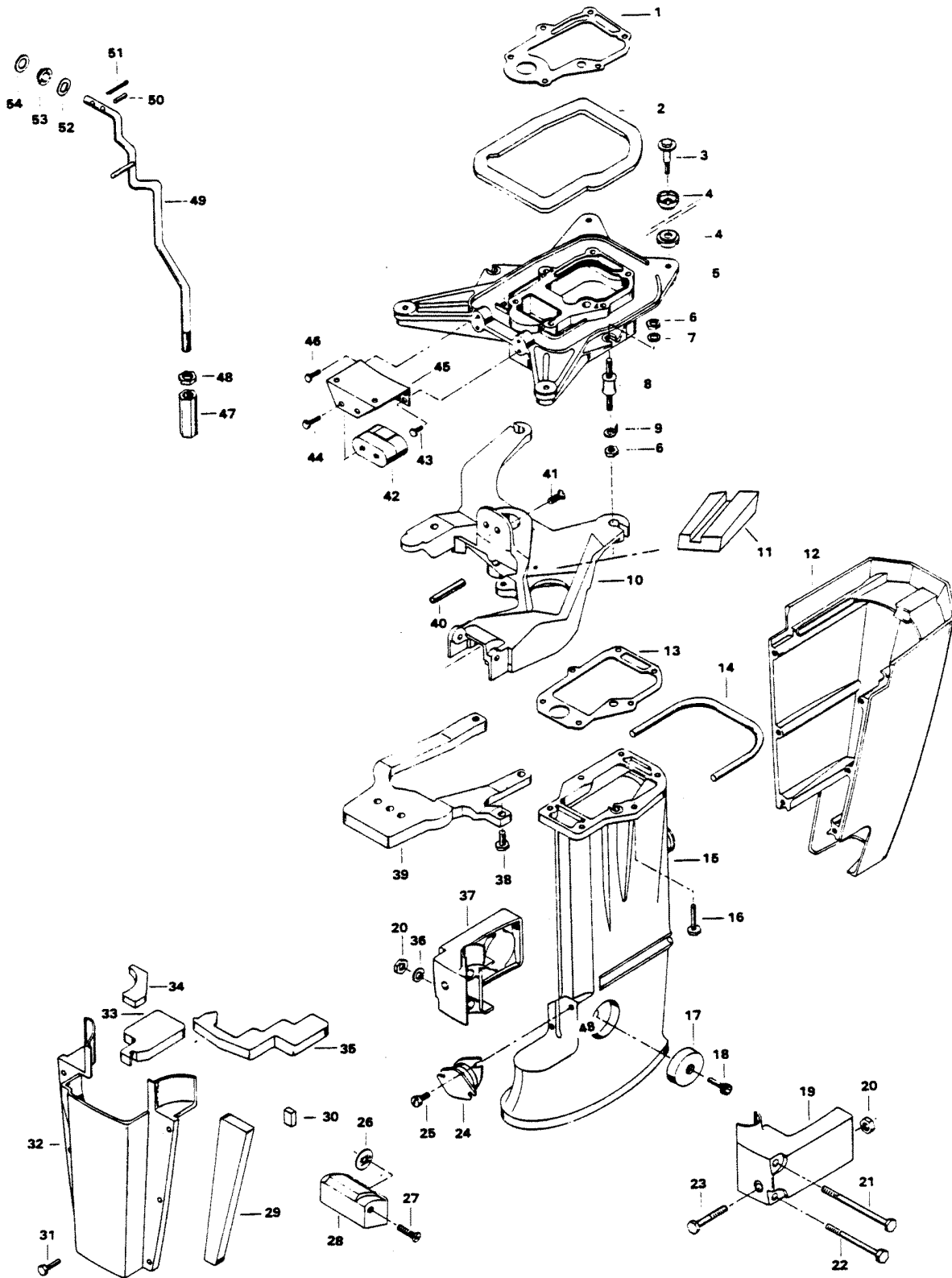
SWIVEL BRACKET GROUP



SWIVEL BRACKET GROUP

REF. NO.	PART NO.	SYM.	QTY.	DESCRIPTION
43	F529390-1		1	DECAL, REVERSE LOCK - USA
44	F213274		3	GREASE FITTING
45	FA529072		1	SWIVEL BRACKET WILLUS. 29 AND 44
46	F901011		1	WASHER, SWIVEL BRACKET
47	F458019		1	KINGPIN

MOTOR LEG

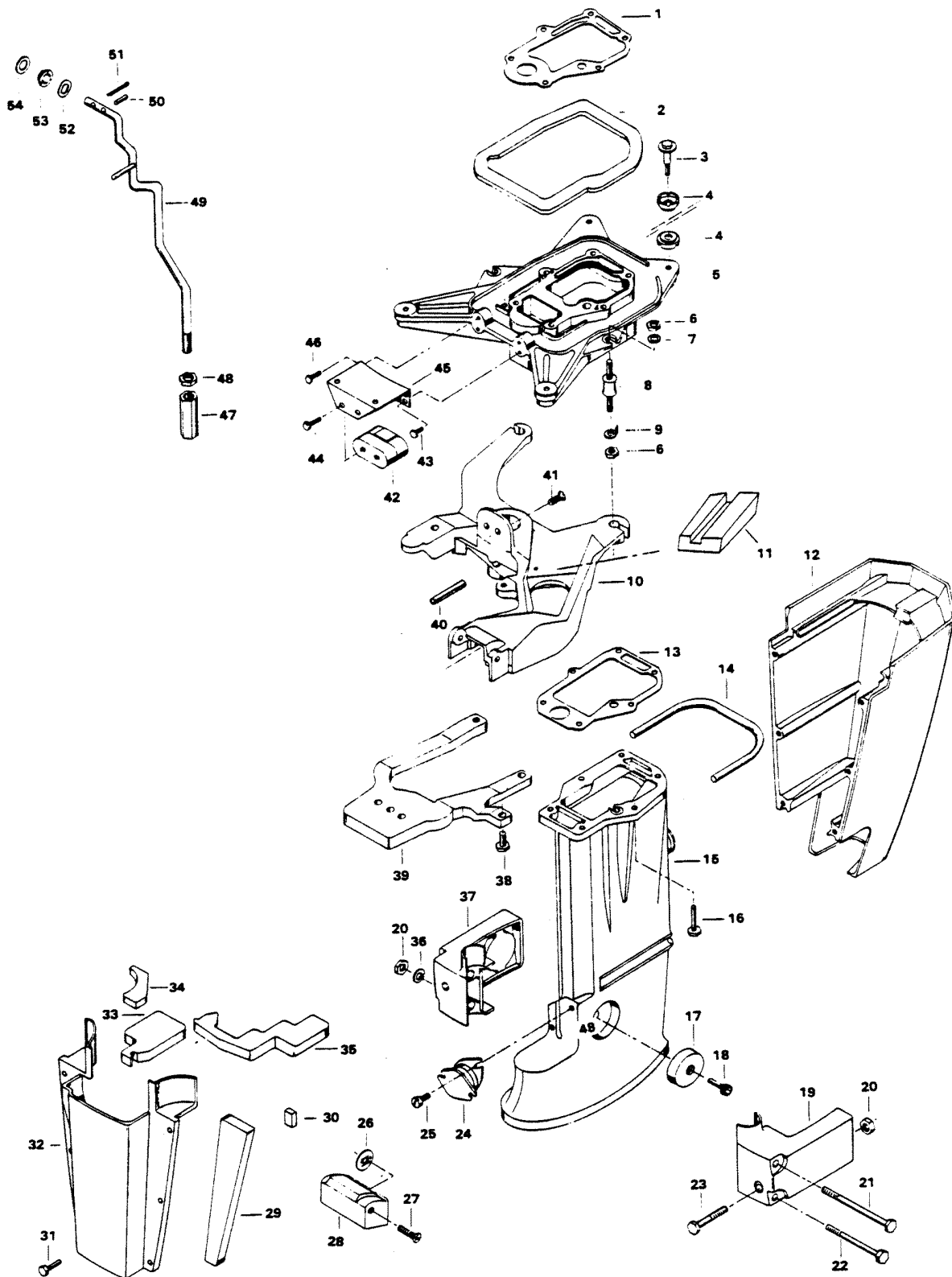


MOTOR LEG

REF. NO.	PART NO.	SYM.	QTY.	DESCRIPTION
1	F458279		1	GASKET, CYLINDER EXHAUST
2	F183756-1		1	PACKING, SUPPORT PLATE
3	F458887		4	FASTENER, SUPPORT PLATE
4	F458347		8	MOUNT, SUPPORT PLATE
5	F458963		1	PLATE, SHOCK MOUNT
6	F1346		4	HEX NUT, 3/8 - 16
7	F1778		2	PLAIN WASHER
8	F458962		2	MOUNT, SIDE UPPER
9	F458076		2	TAB, SHOCK MOUNT SIDE
10	817809A1		1	PLATE, KINGPIN MOUNTING
11	F458345		1	PAD, KINGPIN MOUNTING PLATE
12	818057A1		1	LEG COVER REAR W/PACKING
13	F458453		1	GASKET, LEG EXHAUST
14	F458322		2	PACKING, LEG COVER REAR
15	F458133		1	MOTOR LEG
16	F458166-2		6	SCREW, MOTOR LEG TO CYLINDER
17	F462962		2	SHOCK MOUNT LOWER SIDE
18	F1263		2	HEX SOCKET HD CAP SCREW, 5/16 - 18 X 9/16
19	F458973-1		1	COVER, SHOCK MOUNT PORT
20	F1515		4	HEX NUT, 5/16 - 18
21	F2006		1	HEX CAP SCREW, 5/16 - 18 X 4-3/4
22	F2007		1	HEX CAP SCREW, 5/16 - 18 X 4
23	F1696		2	HEX CAP SCREW, 5/16 - 18 X 1-3/4
24	F183346-1		1	SHOCK MOUNT LOWER THRUST
25	F1129		2	FILL HD SCREW, 5/16 - 18 X 1/2
26	F2018		2	SPEED NUT, 1/4 - 20
27	F2011		2	PAN HD SCREW, 1/4 - 20 X 1-1/4
28	FA460686		1	COVER, KINGPIN MOUNTING PLATE W/LITERATURE
29	F458312		2	PACKING, LEG COVER SIDE
30	F458323-1		3	PACKING, LEG COVER FRONT
31	F1705		6	HEX CAP SCREW, 1/4 - 20 X 3/4
32	818056A2		1	LEG COVER FRONT W/PACKING
33	F458324		1	PACKING, LEG COVER FRONT UPPER - STARBOARD
34	F458315		2	PACKING, LEG COVER SIDE UPPER
35	F458320		3	PACKING, LEG COVER FRONT UPPER PORT
36	F8096		2	SPRING LOCKWASHER
37	F458972-1		1	COVER, SHOCK MOUNT STARBOARD
38	F1745		3	HEX HD SCREW W/SPRING LOCKWASHER, 5/16 - 18 X 1
39	F385647		1	CARRYING HANDLE
40	F1663		1	PIN, SPRING
41	F1160		2	FLAT HD SCREW, 1/4 - 28 X 5/8
42	F203965		1	SHOCK MOUNT UPPER THRUST
43	F1922		2	HEX CAP SCREW, 1/4 - 20 X 5/8

CONTINUED ON NEXT PAGE ➡

MOTOR LEG



MOTOR LEG

REF. NO.	PART NO.	SYM.	QTY.	DESCRIPTION
44	F1211		2	HEX HD SCREW W/SPRING LOCKWASHER, 1/4 - 28 X 5/8
45	F40956		1	BRACKET, SHOCK MOUNT UPPER THRUST
46	F1922		4	HEX SLOT HD SCREW W/LOCKWASHER, 1/4 - 20 X 3/4
47	F141704		1	COUPLING, GEAR SHIFT ROD
48	F1349		1	HEX NUT
49	F458615		1	GEAR SHIFT ROD UPPER
50	F1978		1	SPRING PIN
51	F1020		1	COTTER PIN
52	F8049		1	BOWED SPRING WASHER
53	F85610		2	BEARING
54	F1739		1	PLAIN WASHER

GEAR HOUSING

* * * * MISSING ILLUSTRATION * * * *

GEAR HOUSING

REF. NO.	PART NO.	SYM.	QTY.	DESCRIPTION
1	F458845		1	EXTENSION, MOTOR LEG
2	FS901244		1	EXTENSION, INLET WATER LINE
3	F1929		8	HEX CAP SCREW, 3/8 - 16 X 1-1/8
4	F8065		8	SPRING LOCKWASHER
5	F24342		2	SEAL, INLET WATER LINE
6	F2014		3	PLAIN WASHER
7	F458244-1		1	INLET WATER LINE FOR STANDARD SHAFT MODELS
8	F462128		1	DRIVESHAFT
9	F901563		1	DRIVE PIN, WATER PUMP IMPELLER
10	FK247		1	PROPELLER PIN, PACK OF 6 W/ILLUS. 12
11	F40342		1	SEAL, PROPELLER NUT
12	F1027		1	COTTER PIN
13	FA94094-2		1	PROP NUT W/SEAL AND COTTER PIN W/ILLUS. 11 AND 12
14	FP273		1	PROPELLER (ACCESSORY ITEM)
15	F1263		2	HEX SOCKET HD CAP SCREW, 5/16 - 18 X 9/16
16	F2A366298		1	PROP SHAFT BEARING CAGE W/ITEMS 17 AND 18
17	F141118		1	SEAL, PROPELLER SHAFT
18	F366058		1	BALL BEARING, PROPELLER SHAFT
19	F141305		1	SEAL, PROPELLER SHAFT BEARING CAGE
20	FA485662		1	BEVEL GEAR REAR W/BUSHING
21	F40717		2	THRUST WASHER
22	F366727		1	BALL, PROPELLER SHAFT
23	44-819500A3		1	PROPELLER SHAFT
24	F90871-3		1	GEAR SHIFT ARM PIN
25	F90619-1		1	YOKE, GEAR SHIFT ARM
26	F2097		1	SPRING PIN
27	FK1068		1	GEAR HOUSING SEAL KIT INCLUDES ALL ITEMS MARKED WITH A DOUBLE ASTERISK (**).
28	F99521-1		1	CLUTCH
29	FS458023		1	BEVEL GEAR FRONT W/BEARING
30	1600-817804A3		1	GEAR HOUSING LOWER W/ILLUS. 31, 32 AND THRUST BEARING CUP ORIGINAL FORCE P/N A 458054-1
-	1600-817896A2		1	LOWER GEAR HOUSING COMPLETE (NOT SHOWN) INCLUDES ALL ITEMS MARKED WITH AN ASTERISK (*). ORIGINAL FORCE P/N C 458054-1
31	F8077		2	WASHER, GEAR HOUSING PLUG
32	F50109		2	PLUG, GEAR HOUSING
33	F498618		1	SEAL, "O" RING
34	F498891		1	GEAR SHIFT ARM PIN
35	817796A2		1	GEAR SHIFT ARM
36	F2A458266		1	BEVEL PINION W/BEARING
37	F435705		1	GEAR SHIFT ROD LOWER
38	F7004		1	HEX NUT
39	FK1053		1	WATER PUMP KIT W/ILLUSTRATIONS 4, 47, 48, 49, 51 AND 52

CONTINUED ON NEXT PAGE ➡

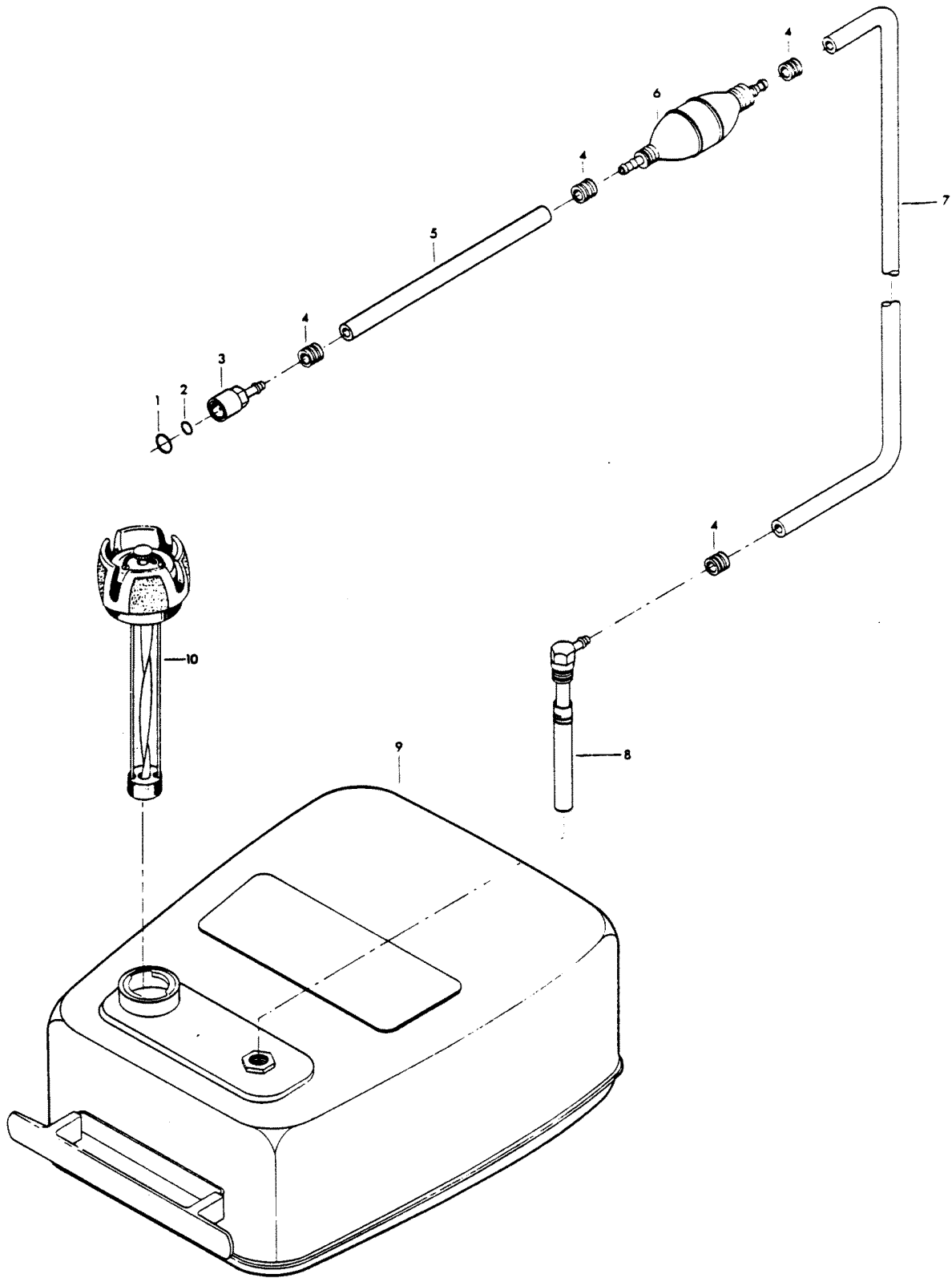
GEAR HOUSING

* * * * MISSING ILLUSTRATION * * * *

GEAR HOUSING

REF. NO.	PART NO.	SYM.	QTY.	DESCRIPTION
40	F40008		1	STUD, SHORT
41	F97008-1		1	STUD, LONG
42	F1015		1	COTTER PIN
43	F85372		1	PIN, GEAR SHIFT ROD LOWER
44	F435555		1	SEAL, GEAR HOUSING
45	F2008		2	HEX HD SCREW, 1/4 - 20 X 7/8
46	FA435116		1	EXHAUST SNOOT W/LITERATURE
47	FA502554		1	GEAR HOUSING UPPER W/ITEMS 31, 32, 46, 47, 49, 50 AND 51
48	F338618-1		1	SEAL, SHIFT ROD LOWER
49	F458057		1	BEARING, DRIVESHAFT UPPER
50	F435077		1	SCREEN, WATER INLET
51	F458307		1	SEAL, DRIVESHAFT
52	F435562		1	WATER PUMP BACK PLATE
53	F458065-1		1	WATER PUMP IMPELLER
54	FA435616		1	GEAR SHIFT ROD INTERMEDIATE
55	FA513060		1	WATER PUMP BODY W/ITEM 57, 58 AND 59
56	F2030		4	HEX HD CAP SCREW, 1/4 - 20 X 1-1/4
57	F513388		1	DISC, WATER PUMP LOCATING
58	F458736		1	SEAL, WATER PUMP
59	FA510914		1	SEAL, INLET WATER LINE LOWER W/LITERATURE
60	F1346		1	HEX NUT, 3/8 - 16

FUEL TANK AND LINE



FUEL TANK AND LINE

REF. NO.	PART NO.	SYM.	QTY.	DESCRIPTION
1	F213342		1	SEAL, FUEL LINE COUPLER
2	F213735		1	SEAL, FUEL LINE COUPLER
3	F197787-3		2	FUEL LINE COUPLER
4	F298788		4	FERRULE
5	FA84754-1		1	FUEL LINE SHORT W/ILLUS. 4
6	89396A38		1	PRIME BULB
7	32-817738A1		1	FUEL LINE, LONG W/CLAMP AND ILLUS. 4 ORIGINAL FORCE P/N A 197752-1
8	F487755		1	FUEL TANK ADAPTER
9	F5H026		1	FUEL TANK (ACCESSORY ITEM)
10	F409251-1		1	GAUGE CAP
-	FS409752		1	FUEL LINE COMPLETE (NOT SHOWN). INCLUDES ALL ITEMS WITH AN ASTERISK (*).
-	FC409398		1	DECAL, TOTE TANK - CANADA (NOT SHOWN)

SPECIAL TOOLS - POWER HEAD

REF. NO.	PART NO.	SYM.	QTY.	DESCRIPTION
-	FT8932		0	LIFTING HOOK TO LIFT ENGINE.
-	FT2989		0	FLYWHEEL WEDGE TO REMOVE FLYWHEEL.
-	FT2910		0	KNOCK-OFF NUT TO REMOVE FLYWHEEL.
-	FT8971		0	SEAL INSTALLER TO INSTALL UPPER CRANKSHAFT BEARING CAGE SEAL.
-	FT8967		0	SEAL PROTECTOR TO PROTECT UPPER CRANKSHAFT BEARING CAGE SEAL DURING INSTALLATION.
-	FT2953		0	SOCKET TO TORQUE CONNECTING ROD SCREWS.
-	FT2990		0	PISTON PIN REMOVER TO REMOVE AND INSTALL PISTON PIN IN PISTON.
-	FT8926		0	RING EXPANDER TO INSTALL RINGS ON PISTONS.
-	FT2996		0	RING COMPRESSOR TO INSTALL PISTONS IN CYLINDERS.
-	FT8977		0	SEAL COLLAR INSTALLER TO INSTALL CRANKSHAFT LOWER SEAL COLLAR.
-	FT8976		0	SEAL PROTECTOR TO PROTECT LOWER SEAL DURING INSTALLATION.
-	FT2998		0	TORQUE WRENCH (0 - 100 LBS./FT.) TO PROPERLY SECURE FASTENERS.
-	FT2999		0	TORQUE WRENCH (0 - 600 LBS./IN.) TO PROPERLY SECURE FASTENERS.
-	FT2961		0	CARBON BRUSH TO REMOVE CARBON FROM INSIDE POWER HEAD.
-	FT8900		0	HOSE CLAMP PLIERS TO REMOVE AND INSTALL FUEL HOSE CLAMPS.
-	FT1749		0	SNAP RING PLIERS TO REMOVE AND INSTALL PISTON PIN RETAINING RINGS.

SPECIAL TOOLS - LOWER UNIT

REF. NO.	PART NO.	SYM.	QTY.	DESCRIPTION
-	FT8948-1		0	PROPELLER SHAFT BEARING CAGE PULLER TO REMOVE PROPELLER SHAFT BEARING CAGE FROM LOWER GEAR HOUSING.
-	FT8919		0	SPRING PIN PUNCH TO REMOVE CLUTCH SPRING PIN.
-	FT8907		0	DRIVER HANDLE TO INSTALL BEARING CUP IN LOWER GEAR HOUSING.
-	FT8918		0	BUSHING GUIDE SET TO REMOVE AND INSTALL BEARING CUP IN LOWER GEAR HOUSING.
-	FT8921		0	FORWARD BEARING CUP REMOVER TO REMOVE FORWARD BEARING CUP FROM LOWER GEAR HOUSING.
-	FT8904		0	FORWARD BEARING CUP INSTALLER TO INSTALL FORWARD BEARING CUP IN LOWER GEAR HOUSING.
-	FT8972		0	DRIVESHAFT SEAL INSTALLER TO INSTALL DRIVESHAFT SEAL.
-	FT8957		0	SEAL INSTALLER TO INSTALL SHIFT ROD SEAL.
-	FT8963		0	BEARING INSTALLER TO INSTALL DRIVESHAFT BEARING IN GEAR HOUSING UPPER.
-	FT8964		0	BEARING REMOVER TO REMOVE DRIVESHAFT BEARING FROM GEAR HOUSING UPPER.
-	FT3431		0	SEAL INSTALLER TO INSTALL PROP SHAFT SEAL.

SPECIAL TOOLS - TEST EQUIPMENT

REF. NO.	PART NO.	SYM.	QTY.	DESCRIPTION
-	FT11201		0	HARNESS ADAPTER CONNECTS C-D IGNITION SYSTEM TO IGNITION TESTER
-	FT8996		0	IGNITION TESTER TO TROUBLESHOOT IGNITION SYSTEM.
-	FT8953		0	C-D TESTER TO TROUBLESHOOT IGNITION SYSTEM.
-	FT2938-1		0	CONTINUITY TESTER BATTERY OPERATED - TO CHECK CONTINUITY OF WIRES.
-	FT2951		0	CIRCUIT TRACER TO TROUBLESHOOT 12 VOLT CIRCUITS.
-	FT2954A		0	TEST WHEEL TO TEST MOTOR IN TEST TANK.
-	FT8950		0	LEAKAGE TESTER TO TEST LOWER UNIT FOR LEAKAGE.

SPECIAL TOOLS - LUBRICANTS AND SEALANTS

REF. NO.	PART NO.	SYM.	QTY.	DESCRIPTION
-	FT2961		0	LUBRICANT - RYKON GREASE #2EP
-	FT2987-1		0	LUBRICANT - ANTI-SEIZE
-	FT8969		0	LUBRICANT - 7 OZ. L PSI LUBRICANT
-	FT8983		0	SEALANT
-	FT8936-1		0	SEALANT - 2 CC LOCTITE RETAINING COMPOUND #75
-	FT2962-1		0	SEALANT - 50 CC LOCTITE H, NON-HARDENING GRADE
-	FT2963-2		0	SEALANT - 2 OZ. LOCTITE D, HARDENING GRADE
-	FT8935		0	SEALANT PRIMER - 6 OZ.

ACCESSORIES

REF. NO.	PART NO.	SYM.	QTY.	DESCRIPTION
-	F5H081		0	BATTERY CABLE LONGER LENGTH - 15 FEET.
-	F5H019		0	ANTI-CORROSION KIT ELECTRICAL UNIT USED TO HELP PREVENT CORROSION.
-	F5H025		0	ANTI-CORROSION SACRIFICIAL ANODE USED TO HELP PREVENT CORROSION.
-	F5H021		0	BATTERY EXTENSION CABLE USED TO EXTEND BATTERY CABLE 6-1/2 FEET.
-	F5H041		0	BATTERY TERMINAL KIT FOR STANDARD NEGATIVE AND POSITIVE BATTERY POSTS.
-	493		0	HANDLE PROVIDES REAR HANDLE AND REST PADS
-	F5H020		0	CARRYING HANDLE PERMITS EASIER TRANSPORTATION OF ENGINE TO AND FROM BOAT (2 MAN).
-	F861		0	FLUSHING ADAPTER PERMITS FRESH WATER FLUSHING OF WATER PASSAGES WITH STANDARD GARDEN HOSE.
-	5H158		0	FUEL GAUGE FLUSH MOUNT MONITORS FUEL SUPPLY.
-	F5H028		0	SENDING UNIT FOR USE WITH ABOVE FUEL GAUGE.
-	F5H055		0	WATER PUMP KIT HEAVY DUTY WATER PUMP RECOMMENDED FOR CONTINUED OPERATION IN SANDY OR SALT WATER.
-	F5H134		0	BOAT WHITE LACQUER ENGINE TOUCH-UP PAINT IN 12 3/4 OZ. SPRAY BOMBS (6 CANS PER CASE).
-	F5H026		0	FUEL TANK, 6 GALLON, STEEL AUXILIARY TANK.
-	F5H040		0	FUEL TANK, 12 GALLON, STEEL AUXILIARY TANK.
-	F5H029		0	FUEL TANK ANCHOR SECURES 5H026 TO DECK.
-	5H065		0	CANVAS HOOD PROTECTION FOR ENGINE COVER.
-	5H082		0	REMOTE ELECTRIC CABLE 35 FT. LENGTH.
-	F5H070		0	REMOTE ELECTRIC CABLE 21 FT. LENGTH.
-	F762		0	REMOTE ELECTRIC CABLE 25 FT. LENGTH.
-	F5H155		0	SPEEDOMETER FLUSH MOUNT 20 TO 100 KM/H.
-	F5H072		0	OVERHEAT BUZZER KIT FOR ELECTRIC START MODELS. WARNS OF ENGINE OVERHEATING.
-	F5H077		0	IGNITION KEY SWITCH FOR ELECTRIC START MODELS, SHORT BARREL
-	F5H078		0	IGNITION KEY SWITCH FOR ELECTRIC START MODELS, LONG BARREL
-	FK1026		0	LONG LEG CONVERSION KIT CONVERTS 15" STANDARD SHAFT MODELS TO 20" LONG SHAFT MODELS.
-	F5H159		0	HOURLY METER FLUSH MOUNT, RECORDS ENGINE RUNNING TIME.
-	ÄF195//		0	REMOTE CONTROL CABLES CONNECTS REMOTE CONTROL BOX TO THROTTLE AND GEAR SHIFT ON MOTOR. AVAILABLE IN 6 THROUGH 40 FOOT LENGTHS.
-	F5H130		0	REMOTE CONTROL SURFACE MOUNT (SINGLE LEVER) PERMITS REMOTE CONTROL OF THROTTLE AND GEAR SHIFT FROM STARBOARD SIDE OF BOAT.
-	F5H131		0	PORT SIDE DECAL KIT CONVERTS 5H130 CONTROL BOX TO PORT SIDE MOUNTING.

CONTINUED ON NEXT PAGE ➡

ACCESSORIES

REF. NO.	PART NO.	SYM.	QTY.	DESCRIPTION
-	F590		0	REMOTE CONTROL FLUSH MOUNT PERMITS REMOTE CONTROL OF THROTTLE AND GEAR SHIFT. MAY BE MOUNTED ON PORT OR STARBOARD SIDE OF BOAT.
-	865		0	REMOTE CONTROL SURFACE MOUNT PERMITS REMOTE CONTROL OF THROTTLE AND GEAR SHIFT ON TWIN ENGINE INSTALLATIONS. MAY BE MOUNTED ON PORT OR STARBOARD SIDE OF BOAT.
-	F137		0	REMOTE STEERING BRACKET ADAPTS MOTOR TO CABLE TYPE REMOTE STEERING
-	F165		0	REMOTE STEERING BRACKET ADAPTS MOTOR TO CABLE TYPE REMOTE STEERING
-	F5H167		0	TACHOMETER MONITORS ENGINE R.P.M. TO PROVIDE CHECK OF ENGINE PERFORMANCE.
-	F5H157		0	VOLTMETER FLUSH MOUNT, INDICATES BATTERY CONDITION.
-	F596		0	CHRYSLER OUTBOARD OIL CHRYSLER OUTBOARD OIL IS COMPOUNDED FROM SELECTED HIGH QUALITY HEAT RESISTANT BASE OIL AND A NON-METALLIC ADDITIVE TO LUBRICATE AND MAINTAIN CLEANLINESS OF CHRYSLER OUTBOARD MOTORS.
-	F597		0	CHRYSLER OUTBOARD GEAR LUBE CHRYSLER OUTBOARD GEAR LUBE IS AN EXTREME PRESSURE LUBRICANT FORMULATED TO HANDLE THE HIGH GEAR LOADS PRESENT IN AN OUTBOARD LOWER UNIT. CHRYSLER OUTBOARD GEAR LUBE ALLOWS THE LOWER UNIT TO WORK MORE EFFICIENTLY.
-	F5H087		0	MANUAL TILLER KIT CONVERTS REMOTE CONTROL MODEL TO M.T. MODEL.
-	F5H120		0	REMOTE CONTROL BACK PLATE PROTECTS CONTROL MECHANISM FROM DAMAGING PADDED MOUNTING SURFACES IN BOAT.
-	F166		0	DUAL ENGINE TIE BAR CONNECTS ENGINES IN DUAL APPLICATION.
-	F5H059		0	CHRYSLER OUTBOARD MULTI-PURPOSE GREASE LUBRICATES BEARINGS AND OTHER MOVING PARTS. AVAILABLE IN 8 OZ. TUBES AND 12 TUBE CASES.
-	F5H060		0	CHRYSLER OUTBOARD GREASE GUN USED WITH CHRYSLER OUTBOARD MULTI-PURPOSE GREASE TUBES FOR PRESSURE FITTINGS.
-	F5H102		0	STEERING LINK KIT FOR PORT SIDE ENTRY W/PIVOT TUBE.
-	F5H106		0	STEERING LINK KIT FOR STARBOARD SIDE ENTRY W/PIVOT TUBE.
-	F5H076		0	SWITCH EXTENSION CABLE - 5' ALLOWS REMOTE INSTALLATION OF IGNITION SWITCH.
-	F5H075		0	SWITCH EXTENSION CABLE - 24" ALLOWS REMOTE INSTALLATION OF IGNITION SWITCH.
-	F5H030		0	SWITCH KIT - RUNNING LIGHTS DASH MOUNT TOGGLE FOR ANCHOR AND RUNNING LIGHTS.
-	F5H031		0	SWITCH KIT - SPOT LIGHT DASH MOUNT TOGGLE FOR SPOT OR SEARCH LIGHTS.
-	F5H032		0	SWITCH KIT - WIPER DASH MOUNT TOGGLE FOR ELECTRIC WIPER.

CONTINUED ON NEXT PAGE ➡

ACCESSORIES

REF. NO.	PART NO.	SYM.	QTY.	DESCRIPTION
-	F5H034		0	SWITCH KIT - BILGE PUMP DASH MOUNT TOGGLE FOR ELECTRIC BILGE PUMP.
-	F5H035		0	SWITCH KIT - HORN DASH MOUNT TOGGLE FOR HORN - MOMENTARY ON.
-	F5H036		0	SWITCH KIT - TACHOMETER TRANSFER DASH MOUNT TOGGLE FOR ONE TACHOMETER ON DUAL ENGINE INSTALLATION.
-	5H139		0	SWITCH KIT - LIVEWELL DASH MOUNT TOGGLE FOR LIVEWELL PUMP.
-	F5H037		0	SWITCH KIT - LIGHTER DASH MOUNT LIGHTER, COMPLETE.
-	F5H038		0	SWITCH KIT - IGNITION DASH MOUNT PLATE FOR 5H077 AND 5H078 KEY SWITCH (NOT INCLUDED).
-	F5H039		0	SWITCH KIT - INSTRUMENTS DASH MOUNT TOGGLE FOR INSTRUMENT LIGHTS.
-	F563		0	TERMINAL BLOCK KIT

PARTS INDEX

Part Number	Description	Pg.	Ref. No.	Part Number	Description	Pg.	Ref. No.
ÄF195//	REMOTE CONTROL CABLES	46	-	F1263	HEX SOCKET HD CAP		
2C603712	ENGINE COVER COMPLETE.	3	-		SCREW, 5/16 - 18 X 9/16 .	37	15
493	HANDLE	46	-	F1280	PAN HD SCREW, 8 - 32 X 1/4	9	25
5H065	CANVAS HOOD	46	-	F1337	NUT, 6 - 32	13	16
5H082	REMOTE ELECTRIC CABLE	46	-	F1341	HEX NUT	27	51
5H139	SWITCH KIT - LIVEWELL . . .	48	-	F1341	HEX NUT, 1/4 - 20	7	15
5H158	FUEL GAUGE FLUSH			F1346	HEX NUT, 3/8 - 16	33	6
	MOUNT	46	-	F1346	HEX NUT, 3/8 - 16	39	60
817747--1	JOINT, BALL ASSEMBLY . . .	27	58	F1349	HEX NUT	35	48
817776A3	STERN BRACKET CLAMP			F137	REMOTE STEERING		
	SCREW	29	36		BRACKET	47	-
817796A2	GEAR SHIFT ARM	37	35	F141118	SEAL, PROPELLER SHAFT .	37	17
817805A1	ROD, SHIFT INTERLOCK . . .	25	20	F141305	SEAL, PROPELLER SHAFT		
817808A2	LEVER, GEAR SHIFT	25	25		BEARING CAGE	37	19
817809A1	PLATE, KINGPIN MOUNTING	33	10	F141704	COUPLING, GEAR SHIFT		
817813A1	COVER, SUPPORT PLATE .	3	27		ROD	35	47
817842A1	TILT HANDLE	3	5	F1475	FILL HD SCREW, 10 - 24 X		
817882A1	FRICTION SHOE ADJUSTING				1/2	3	11
	ARM	29	2	F15002	SPRING SET	7	24
817892--1	PLATE, IGNITION - CANADA	9	-	F15010	ARMATURE	7	18
818056A2	LEG COVER FRONT			F15015	BRUSH SET	7	23
	W/PACKING	33	32	F15019-1	HEAD ASSEMBLY		
818057A1	LEG COVER REAR				COMMUTATOR END	7	22
	W/PACKING	33	12	F15021-1	HEAD ASSEMBLY DRIVE		
865	REMOTE CONTROL				END	7	16
	SURFACE MOUNT	47	-	F15087	HEX NUT	7	2
89396A38	PRIME BULB	41	6	F15091	WASHER	7	9
F1014	COTTER PIN	15	16	F15095	BENDIX DRIVE	7	1
F1014	COTTER PIN	29	20	F15097	THRU BOLT PACKAGE . . .	7	25
F1015	COTTER PIN	39	42	F15098	THRUST WASHER		
F1020	COTTER PIN	35	51		PACKAGE	7	17
F1027	COTTER PIN	37	12	F15102	SPRING, ANTI-DRIFT	7	4
F1059	FILL HD SCREW, 6 - 32 X 1/4	15	11	F15103	PINION	7	7
F1072	FILL HD SCREW, 1/4 - 20 X			F15104	CUP, CUSHION THRUST . . .	7	12
	1-3/4	27	52	F15105	CUP, CUSHION	7	10
F1077	FILL HD SCREW, 10 - 24 X			F15106	CUSHION	7	11
	1/2	9	15	F15107	CUP, PINION	7	5
F1092	FILL HD SCREW, 10 - 32 X			F15108	SLEEVE	7	6
	5/8	13	12	F15109	CUP, STOP	7	3
F1100	SLOTTED FILL HD SCREW,			F15117	FRAME AND FIELD		
	1/4 - 20 X 1-1/8	9	10		ASSEMBLY	7	21
F1107	FILL HD SCREW, 1/4 - 20 X			F1513	HEX NUT, 10 - 32	9	27
	3/4	25	1	F1513	HEX NUT, 10 - 32	13	9
F1108	FILL HD MACHINE SCREW			F1513	HEX NUT, 10 - 32	25	26
	W/LOCKWASHER, 1/4 - 20			F1514	HEX JAM NUT, 1/4 - 20 . . .	7	13
	X 3/4	23	7	F1515	HEX JAM NUT, 5/16 - 18 . .	3	33
F1129	FILL HD SCREW, 5/16 - 18 X			F1515	HEX NUT	9	24
	1/2	33	25	F1515	HEX NUT, 5/16 - 18	19	2
F1141	FLAT HD SCREW, 10 - 24 X			F1515	HEX NUT, 5/16 - 18	29	38
	1/2	19	6	F1515	HEX NUT, 5/16 - 18	33	20
F1160	FLAT HD SCREW, 1/4 - 28 X			F1532	HEX HD SCREW, 1/4 - 20 X 1	27	50
	5/8	33	41	F154317	CLAMP, REMOTE CABLE . .	3	21
F1200	HEX HD SCREW, 1/4 - 20 X			F1552	PAN HD SCREW, 8 - 32 X 1/2	13	26
	1/2	13	21	F1600	STOP NUT	29	15
F1211	HEX HD SCREW W/SPRING			F1632	PLASTI-PLUG	3	18
	LOCKWASHER, 1/4 - 28 X			F1638	SPRING PIN	29	35
	5/8	35	44	F1645	ROUND HD SCREW, 6 - 32 X		
F1236	HEX CAP SCREW, 1/4 - 20 X				1/4	13	25
	1/2	3	19	F1645	ROUND HD SCREW, 6 - 32 X		
					7/8	9	7

PARTS INDEX

Part Number	Description	Pg.	Ref. No.	Part Number	Description	Pg.	Ref. No.
F1647	HEX NUT	9	14	F1864	HEX HD SCREW, 1/4 - 20 X 3/4	25	10
F1648	PAN HD SCREW, 10 - 24 X 3/4	9	31	F1877	TY-RAP	13	6
F1648	PAN HD SCREW, 10 - 24 X 3/4	13	20	F1904	PLAIN WASHER	29	39
F165	REMOTE STEERING BRACKET	47	-	F1910	LOCK NUT	27	61
F166	DUAL ENGINE TIE BAR	47	-	F1916	HEX HD M. SCREW, 1/4 - 20 X 1-1/8	9	3
F1663	PIN, SPRING	33	40	F1922	HEX CAP SCREW, 1/4 - 20 X 5/8	25	31
F1666	BOWED SPRING WASHER	29	12	F1922	HEX CAP SCREW, 1/4 - 20 X 5/8	33	43
F1669	NUT	29	26	F1922	HEX HD MACHINE SCREW, 1/4 - 20 X 5/8	3	15
F1689	HEX CAP SCREW, 1/4 - 20 X 1/2	25	12	F1922	HEX HD SCREW, 1/4 - 20 X 5/8	25	27
F1689	HEX CAP SCREW, 1/4 - 20 X 1/2	29	7	F1922	HEX SLOT HD SCREW W/LOCKWASHER, 1/4 - 20 X 3/4	35	46
F1696	HEX CAP SCREW, 5/16 - 18 X 1-3/4	33	23	F1929	HEX CAP SCREW, 3/8 - 16 X 1-1/8	37	3
F1704	INTERNAL TOOTH LOCKWASHER	9	8	F1934	FLAT HD SLOTTED SCREW	9	20
F1704	LOCKWASHER #6	13	24	F1975	LOCKWASHER	13	19
F1705	HEX CAP SCREW, 1/4 - 20 X 3/4	7	19	F1975	SPRING LOCKWASHER	9	28
F1705	HEX CAP SCREW, 1/4 - 20 X 3/4	33	31	F197787-3	FUEL LINE COUPLER	41	3
F1727	PLASTI-RIVET	25	7	F1978	SPRING PIN	35	50
F1733	PAN HD SCREW, 10 - 24 X 1/2 - 10 - 24 X 9/16	11	37	F1995	SLOTTED FILL HD SCREW, 10 - 24 X 1	13	3
F1734	FILL HD MACHINE SCREW W/SPRING LOCKWASHER, 1/4 - 20 X 1/2	9	17	F1997	LOCK NUT	15	3
F1739	PLAIN WASHER	35	54	F2005	HEX SOCKET HD CAP SCREW, 5/16 - 18 X 2-3/4	25	11
F1739	PLAIN WASHER (ELECTRIC START)	25	39	F2006	HEX CAP SCREW, 5/16 - 18 X 4-3/4	33	21
F1745	HEX HD SCREW W/SPRING LOCKWASHER, 5/16 - 18 X 1	33	38	F2007	HEX CAP SCREW, 5/16 - 18 X 4	33	22
F1746	HEX CAP SCREW, 1/4 - 28 X 5/8	13	28	F2008	HEX HD MACHINE SCREW, 1/4 - 20 X 7/8	19	1
F1753	FASTENER	3	8	F2008	HEX HD SCREW, 1/4 - 20 X 7/8	39	45
F1755	ROUND HD SCREW W/LOCKWASHER, 6 - 32 X 5/16	19	12	F2010	FILL HD SCREW, 10 - 32 X 9/16	13	5
F177330	FUEL PUMP VALVE	23	4	F2011	PAN HD SCREW, 1/4 - 20 X 1-1/4	33	27
F1778	PLAIN WASHER	33	7	F2012	PLAIN WASHER	13	17
F1803	STOP NUT	27	57	F2013	HEX SOCKET HD CAP SCREW, 5/16 - 18 X 1-1/4	25	14
F183300	SPRING, LATCH SHAFT	3	31	F2014	PLAIN WASHER	37	6
F183300	SPRING, SHIFT DETENT	25	30	F2016	FILL HD SCREW, 6 - 32 X 7/8	9	6
F183346-1	SHOCK MOUNT LOWER THRUST	33	24	F2018	SPEED NUT, 1/4 - 20	33	26
F1836	SPRING PIN	29	21	F2021	FLYWHEEL NUT, 5/8 - 18	13	1
F183756-1	PACKING, SUPPORT PLATE	33	2	F2025	PAN HD SCREW, 10 X 5/8	3	4
F183813	BEARING	27	54	F2027	HEX CAP SCREW, 5/16 - 18 X 3	29	41
F184033-1	SWIVEL, CHOKE ARM	15	10	F2030	HEX HD CAP SCREW, 1/4 - 20 X 1-1/4	39	56
F184579	SEAL, CHOKE ARM SWIVEL	15	9	F2033	GROOVE PIN	15	13
F1854	HEX CAP SCREW, 1/4 - 20 X 5/8	9	29	F203965	SHOCK MOUNT UPPER THRUST	33	42
F1854	HEX CAP SCREW, 1/4 - 20 X 5/8	27	42	F2066	PAN HD SCREW, 10 X 7/16	3	2
F185764	RETAINING RING	3	32	F2095	SPRING PIN	29	30
				F2097	SPRING PIN	37	26

PARTS INDEX

Part Number	Description	Pg.	Ref. No.	Part Number	Description	Pg.	Ref. No.
F2107	SLOTTED FILL HD SCREW W/SPRING LOCKWASHER, 10 - 24 X 5/8	3	22	F411420	RETAINER, SWITCH PLATE	9	21
F213274	GREASE FITTING	31	44	F412181-1	PLATE, IGNITION - U.S.A.	9	19
F213342	SEAL, FUEL LINE COUPLER	41	1	F428096	RETAINER, PISTON PIN	21	1
F213735	SEAL, FUEL LINE COUPLER	41	2	F429811	SCREEN, CYLINDER DRAIN	25	34
F24074	CLAMP SCREW FOOT	29	32	F433168	GASKET, CARBURETOR ADAPTER	19	5
F24342	SEAL, INLET WATER LINE	37	5	F433168	GASKET, CARBURETOR ADAPTER	27	-
F269052	BEARING, SHIFT LEVER	25	24	F433209-1	STUD, THROTTLE CAM	27	64
F269122-1	SEAL, CRANKCASE PARTING LINE	25	8	F433404	DEFLECTOR PLATE	19	7
F269319	BEARING, THROTTLE CAM	27	62	F433406	GASKET, DEFLECTOR PLATE	19	8
F286028	CRANKSHAFT LOWER MAIN BEARING	21	14	F433406	GASKET, DEFLECTOR PLATE	27	-
F286282	WASHER	27	56	F434767	BUSHING, FUEL LINE	3	30
F286422-1	PIVOT, TILT LOCK	29	8	F435077	SCREEN, WATER INLET	39	50
F286440	STUD, MAGNETO CONTROL LEVER	27	53	F435555	SEAL, GEAR HOUSING	39	44
F286451	SPACER, TILT LOCK	29	9	F435562	WATER PUMP BACK PLATE	39	52
F286544-1	SPRING, TILT LOCK	29	11	F435705	GEAR SHIFT ROD LOWER	37	37
F286772-1	CLAMP	13	10	F436541	TILT LOCK - PORT	29	10
F286772-1	CLAMP, FUEL PUMP TO CARBURETOR HOSE	9	9	F438165	SCREW, FUEL PUMP BOWL	23	11
F288075	HANDLE, STERN BRACKET CLAMP SCREW	29	34	F438500	FUEL PUMP BOWL	23	10
F296898	TERMINAL	9	34	F438617	GASKET, FUEL PUMP BOWL	23	8
F298788	FERRULE	41	4	F438617	GASKET, FUEL PUMP BOWL	27	-
F2A366298	PROP SHAFT BEARING CAGE	37	16	F438653	SCREEN, FUEL PUMP	23	9
F2A458081	MAGNETO CONTROL LEVER	27	55	F438747	FUEL PUMP DIAPHRAGM	23	2
F2A458266	BEVEL PINION W/BEARING	37	36	F438760	FUEL PUMP GASKET	23	1
F2A458581	COLLAR W/LOWER CRANKSHAFT SEAL	21	11	F438760	GASKET, FUEL PUMP	27	-
F307317	CLIP, TERMINAL BLOCK GROUND	9	32	F438801	FITTING, FUEL PUMP BODY	23	15
F307818	BEARING	25	16	F440209	STUD, GEAR SHIFT LEVER	25	28
F307818	BEARING, LATCH SHAFT	3	25	F455305	SEAL, CRANKSHAFT COLLAR	21	12
F316160	REED	19	10	F458019	KINGPIN	31	47
F333316	SHAFT, THROTTLE ROLLER	15	1	F458028	BEARING, CRANKSHAFT UPPER MAIN	21	19
F335217-1	BEARING, PISTON PIN	21	3	F458038-2	SUPPORT PLATE	3	17
F338618-1	SEAL, SHIFT ROD LOWER	39	48	F458057	BEARING, DRIVESHAFT UPPER	39	49
F366058	BALL BEARING, PROPELLER SHAFT	37	18	F458065-1	WATER PUMP IMPELLER	39	53
F366215	SPACER, PISTON PIN	21	2	F458066	THERMOSTAT COVER	27	43
F366364	ARM, REVERSE LOCK	29	23	F458067	GASKET, THERMOSTAT COVER	27	-
F366727	BALL, PROPELLER SHAFT	37	22	F458067	GASKET, THERMOSTAT COVER	27	44
F381896-4	CABLE, BATTERY ENTRY	9	16	F458076	TAB, SHOCK MOUNT SIDE	33	9
F385433	TILT STOP	29	31	F458109	PLUG, CYLINDER HEAD	25	38
F385647	CARRYING HANDLE	33	39	F458133	MOTOR LEG	33	15
F391926-1	PLUNGER	15	14	F458146	SEAL, CRANKSHAFT UPPER MAIN	25	2
F40008	STUD, SHORT	39	40	F458151	EXHAUST PORT PLATE	27	48
F40017-2	PISTON PIN	21	4	F458152	EXHAUST PORT COVER	27	49
F40209	CARBURETOR STUD	19	3	F458154	GASKET, EXHAUST PORT PLATE	27	-
F40342	SEAL, PROPELLER NUT	37	11	F458154	GASKET, EXHAUST PORT PLATE	27	47
F40717	THRUST WASHER	37	21	F458166-2	SCREW, MOTOR LEG TO CYLINDER	33	16
F407446	CLAMP, BATTERY CABLE	9	18	F458192	THROTTLE CAM	27	63
F40906-1	FLANGE GASKET	17	37	F458223	GASKET, TRANSFER PORT COVER	25	35
F40906-1	GASKET, CARBURETOR	27	-				
F409251-1	GAUGE CAP	41	10				

PARTS INDEX

Part Number	Description	Pg.	Ref. No.	Part Number	Description	Pg.	Ref. No.
F458223	GASKET, TRANSFER PORT COVER	27	-	F460573	CLAMP, STARTER MOTOR	7	20
F458244-1	INLET WATER LINE FOR STANDARD SHAFT MODELS	37	7	F460664	STATOR GROUND WIRE	13	7
F458245-1	BAFFLE TILT HANDLE	3	3	F460917	STARTER RELAY	9	30
F458277	GASKET, CRANKSHAFT BEARING CAGE	25	4	F460925	ROD	15	12
F458277	GASKET, CRANKSHAFT BEARING CAGE	27	-	F460955	STARTER MOTOR COMPLETE.	7	-
F458279	GASKET, CYLINDER EXHAUST	27	-	F461774	BRACKET, RETAINER REAR	3	16
F458279	GASKET, CYLINDER EXHAUST	33	1	F462128	DRIVESHAFT	37	8
F458307	SEAL, DRIVESHAFT	39	51	F462840	GROMMET, REMOTE SHIFT CABLE	3	29
F458312	PACKING, LEG COVER SIDE	33	29	F462840	GROMMET, REMOTE THROTTLE CABLE	3	23
F458315	PACKING, LEG COVER SIDE UPPER	33	34	F462962	SHOCK MOUNT LOWER SIDE	33	17
F458320	PACKING, LEG COVER FRONT UPPER PORT	33	35	F463864	RETAINER, TILT HANDLE	3	6
F458322	PACKING, LEG COVER REAR	33	14	F483300	SPRING	29	27
F458323-1	PACKING, LEG COVER FRONT	33	30	F483349-1	REVERSE LOCK	29	25
F458324	PACKING, LEG COVER FRONT UPPER - STARBOARD	33	33	F483510-1	LINK, REVERSE LOCK	29	24
F458342	SEAL, CRANKSHAFT SPINE	21	13	F483827	LEVER, REVERSE LOCK	29	17
F458345	PAD, KINGPIN MOUNTING PLATE	33	11	F483884	BEARING, REVERSE LOCK	29	22
F458347	MOUNT, SUPPORT PLATE	33	4	F487755	FUEL TANK ADAPTER	41	8
F458371	BRACKET, REMOTE THROTTLE CABLE	3	20	F498618	SEAL, "O" RING	37	33
F458453	GASKET, LEG EXHAUST	27	-	F498891	GEAR SHIFT ARM PIN	37	34
F458453	GASKET, LEG EXHAUST	33	13	F50109	PLUG, GEAR HOUSING	37	32
F458456	HAND STARTER COLLAR	13	29	F502161	REED STOP	19	11
F458502	ROD, THROTTLE CAM	27	59	F510374-1	DECAL, CIRCUIT BREAKER - U.S.A.	9	36
F458509	LINK, MAGNETO STATOR	27	60	F510450-1	RECTIFIER	13	23
F458579	SEAL, CRANKCASE	21	10	F510460	CIRCUIT BREAKER	9	35
F458615	GEAR SHIFT ROD UPPER	35	49	F510475	IGNITION COIL	13	18
F458727	BALL, SHIFT LEVER DETENT	25	29	F513015-1	PISTON	21	6
F458736	SEAL, WATER PUMP	39	58	F513388	DISC, WATER PUMP LOCATING	39	57
F458754	HOSE, FUEL PUMP TO CARBURETOR	23	14	F513529	GASKET, CYLINDER HEAD	25	36
F458783	SEAL, SWIVEL BRACKET	29	28	F513529	GASKET, CYLINDER HEAD	27	-
F458845	EXTENSION, MOTOR LEG	37	1	F529029	STATOR TRIGGER	13	11
F458887	FASTENER, SUPPORT PLATE	33	3	F529095	STATOR GROUND WIRE	13	4
F458936	SCREW, CYLINDER HEAD	27	40	F529097	FLYWHEEL	13	2
F458962	MOUNT, SIDE UPPER	33	8	F529125-1	TUBE, PIVOT STEERING	29	42
F458963	PLATE, SHOCK MOUNT	33	5	F529286	WASHER, SWIVEL BRACKET FRICTION	29	13
F458972-1	COVER, SHOCK MOUNT STARBOARD	33	37	F529301	C-D MODULE	13	27
F458973-1	COVER, SHOCK MOUNT PORT	33	19	F529358	BRACKET, ELECTRICAL COMPONENTS	13	15
F458977-3	LEVER, SHIFT INTERLOCK	25	17	F529390-1	DECAL, REVERSE LOCK - USA	31	43
F460317	CLAMP, SOLENOID FOR ELECTRIC START	25	13	F529398	DECAL, WIRING - U.S.A.	11	40
F460427	BRACKET, STARTER MOTOR	9	1	F529726	BEARING, REVERSE LOCK	29	18
				F529744	WIRING HARNESS	9	11
				F53504	GROMMET, SUPPORT PLATE	3	26
				F543061	CARBURETOR COMPLETE (WB-30A)	17	38
				F563	TERMINAL BLOCK KIT	48	-
				F590	REMOTE CONTROL FLUSH MOUNT	47	-
				F596	CHRYSLER OUTBOARD OIL	47	-
				F597	CHRYSLER OUTBOARD GEAR LUBE	47	-
				F5H019	ANTI-CORROSION KIT	46	-

PARTS INDEX

Part Number	Description	Pg.	Ref. No.	Part Number	Description	Pg.	Ref. No.
F5H020	CARRYING HANDLE	46	-	F7011	HEX NUT, 10 - 24	3	9
F5H021	BATTERY EXTENSION CABLE	46	-	F7024	STOP NUT	29	1
F5H025	ANTI-CORROSION SACRIFICIAL ANODE	46	-	F762	REMOTE ELECTRIC CABLE	46	-
F5H026	FUEL TANK (ACCESSORY ITEM)	41	9	F8000	PLAIN WASHER	25	6
F5H026	FUEL TANK, 6 GALLON, STEEL	46	-	F8011	PLAIN WASHER	3	28
F5H028	SENDING UNIT	46	-	F8049	BOWED SPRING WASHER	35	52
F5H029	FUEL TANK ANCHOR	46	-	F8056	SPRING LOCKWASHER	9	13
F5H030	SWITCH KIT - RUNNING LIGHTS	47	-	F8058	INTERNAL TOOTH LOCKWASHER	25	22
F5H031	SWITCH KIT - SPOT LIGHT	47	-	F8059	SPRING LOCKWASHER	13	8
F5H032	SWITCH KIT - WIPER	47	-	F8065	SPRING LOCKWASHER	37	4
F5H034	SWITCH KIT - BILGE PUMP	48	-	F8077	WASHER, GEAR HOUSING PLUG	37	31
F5H035	SWITCH KIT - HORN	48	-	F8078	LOCKWASHER #8	13	22
F5H036	SWITCH KIT - TACHOMETER TRANSFER	48	-	F8083	SPRING LOCKWASHER	7	14
F5H037	SWITCH KIT - LIGHTER	48	-	F8083	SPRING LOCKWASHER	9	2
F5H038	SWITCH KIT - IGNITION	48	-	F8083	SPRING LOCKWASHER	29	6
F5H039	SWITCH KIT - INSTRUMENTS	48	-	F8088	PLAIN WASHER	9	5
F5H040	FUEL TANK, 12 GALLON, STEEL	46	-	F8088	PLAIN WASHER	15	15
F5H041	BATTERY TERMINAL KIT	46	-	F8094	PLAIN WASHER	29	19
F5H055	WATER PUMP KIT	46	-	F8096	SPRING LOCKWASHER	5	34
F5H059	CHRYSLER OUTBOARD MULTI-PURPOSE GREASE	47	-	F8096	SPRING LOCKWASHER	9	26
F5H060	CHRYSLER OUTBOARD GREASE GUN	47	-	F8096	SPRING LOCKWASHER	33	36
F5H070	REMOTE ELECTRIC CABLE	46	-	F84026	SWIVEL, SHIFT INTERLOCK BEARING	25	19
F5H072	OVERHEAT BUZZER KIT	46	-	F84035-2	BEARING, SHIFT INTERLOCK ROD	25	18
F5H075	SWITCH EXTENSION CABLE - 24"	47	-	F84314-2	ELBOW, CARBURETOR	15	6
F5H076	SWITCH EXTENSION CABLE - 5	47	-	F84449	SWITCH, STARTER INTERLOCK	9	4
F5H077	IGNITION KEY SWITCH	46	-	F84792	FUEL PUMP GASKET	23	5
F5H078	IGNITION KEY SWITCH	46	-	F84792	GASKET, FUEL PUMP VALVE	27	-
F5H078	IGNITION SWITCH (ACCESSORY ITEM)	9	23	F85026	SWIVEL, SHIFT INTERLOCK LEVER	25	15
F5H081	BATTERY CABLE	46	-	F8537	SPRING PIN	29	37
F5H087	MANUAL TILLER KIT	47	-	F85372	PIN, GEAR SHIFT ROD LOWER	39	43
F5H102	STEERING LINK KIT	47	-	F85498	FLYWHEEL KEY	21	18
F5H106	STEERING LINK KIT	47	-	F8559	DOWEL PIN	27	46
F5H120	REMOTE CONTROL BACK PLATE	47	-	F85610	BEARING	35	53
F5H130	REMOTE CONTROL SURFACE MOUNT (SINGLE LEVER)	46	-	F85634-2	SCREW, CONNECTING ROD	21	15
F5H131	PORT SIDE DECAL KIT	46	-	F85735-1	SEAL	3	7
F5H134	BOAT WHITE LACQUER	46	-	F85756	PACKING, ENGINE COVER	3	14
F5H155	SPEEDOMETER	46	-	F85843-1	CABLE, ELECTRIC CONTROL	11	38
F5H157	VOLTMETER	47	-	F85924	CHOKE SOLENOID	9	12
F5H159	HOURMETER	46	-	F861	FLUSHING ADAPTER	46	-
F5H167	TACHOMETER	47	-	F89777-1	CAM, ENGINE COVER LATCH	5	35
F603711	PLATE, FRONT	5	37	F901011	WASHER, SWIVEL BRACKET	31	46
F66480	STUD	29	33	F901169-1	BEARING, SWIVEL BRACKET	29	29
F7004	HEX NUT	37	38	F901563	DRIVE PIN, WATER PUMP IMPELLER	37	9
F7004	LOCK NUT, 3/8 - 16	25	23	F901631-1	FRICITION SHOE	29	5
				F901775	PLATE, FRICTION SHOE	29	4
				F9018	CAP, PIVOT STEERING TUBE	29	16
				F901822-1	STUD, SWIVEL BRACKET	29	3

PARTS INDEX

Part Number	Description	Pg.	Ref. No.	Part Number	Description	Pg.	Ref. No.
F90619-1	YOKE, GEAR SHIFT ARM ..	37	25	FA94094-2	PROP NUT W/SEAL AND		
F90871-3	GEAR SHIFT ARM PIN	37	24		COTTER PIN	37	13
F91446-1	BRACKET, CIRCUIT			FB368700	IGNITION KEY - STAMPED B	9	-
	BREAKER	11	39	FC368700	IGNITION KEY - STAMPED C	9	-
F92759	ROLLER, THROTTLE CAM			FC409398	DECAL, TOTE TANK -		
	FOLLOWER	15	2		CANADA (NOT SHOWN) .	41	-
F97008-1	STUD, LONG	39	41	FC503227	SPARK PLUG (CHAMPION		
F97772	FUEL LINE CLAMP	23	12		QL-77-4J) FOR CANADA .	27	-
F98273	ROD END CONNECTOR			FC510374	DECAL, CIRCUIT BREAKER -		
	STUD	25	21		CANADA	9	-
F99521-1	CLUTCH	37	28	FC513390	DECAL STARTER - CANADA		
FA27232	STARTER ROPE W/HANDLE	13	30		(NOT SHOWN)	7	-
FA324113	STERN BRACKET LOCK BAR			FC529398	DECAL, WIRING - CANADA .	11	-
	W/END	29	40	FC573010	SHORT BLOCK FOR		
FA368700	IGNITION KEY - NO LETTER				ALTERNATOR MODELS. .	25	-
	OR STAMPED A	9	22	FD368700	IGNITION KEY - STAMPED D	9	-
FA413469	COVER LATCH HANDLE			FE368700	IGNITION KEY - STAMPED E	9	-
	W/SHAFT	3	24	FG1014	GASKET SET	27	45
FA435116	EXHAUST SNOOT	39	46	FK10000	GASKET SET	15	28
FA435616	GEAR SHIFT ROD			FK10027	REPAIR PARTS KIT	17	41
	INTERMEDIATE	39	54	FK1026	LONG LEG CONVERSION		
FA438431	FUEL PUMP BODY	23	6		KIT	46	-
FA458144	CRANKSHAFT BEARING			FK1053	WATER PUMP KIT	37	39
	CAGE	25	3	FK1068	GEAR HOUSING SEAL KIT .	37	27
FA458167	CARBURETOR ADAPTER ..	19	4	FK1123	SPARKIE KIT	13	14
FA458480	RETAINER, ENGINE COVER			FK15084	SCREW SHAFT	7	8
	REAR	3	10	FK247	PROPELLER PIN, PACK OF		
FA458571	ROLLER, CENTER MAIN ...	21	9		6	37	10
FA458655	LINER, CENTER MAIN (1			FK85228-1	BEARING CAGE W/ROLLERS		
	SET)	21	8		(16 PER SET)	21	16
FA458778	RETAINER, ENGINE COVER			FO10165	INLET SEAT GASKET	15	32
	FRONT	5	38	FO10280	CHOKE SHUTTER		
FA460686	COVER, KINGPIN				RETAINING SCREW AND		
	MOUNTING PLATE	33	28	FO10588	LOCKWASHER	15	19
FA463260	PISTON RING SET (4 PER			FO10790	BODY CHANNEL CUP PLUG	17	40
	SET)	21	7		INLET NEEDLE, SEAT AND		
FA485662	BEVEL GEAR REAR				GASKET	15	31
	W/BUSHING	37	20	FO10883	CHOKE RELIEF VALVE		
FA502554	GEAR HOUSING UPPER ...	39	47		SPRING	15	21
FA504082	MAGNETO STATOR RING ..	25	5	FO11103	IDLE MIXTURE SCREW		
FA510497	TERMINAL BLOCK	9	33		SPRING	15	18
FA510914	SEAL, INLET WATER LINE			FO12250	CHOKE SHUTTER	15	22
	LOWER	39	59	FO12251	CHOKE RELIEF VALVE	15	20
FA513060	WATER PUMP BODY	39	55	FO13552	FUEL BOWL	15	26
FA513518	CYLINDER HEAD	25	37	FO13554	FLOAT	15	29
FA529072	SWIVEL BRACKET	31	45	FO13944	FLOAT LEVER PIN	15	23
FA572158	REED PLATE W/METERING			FO13945	FUEL BOWL RETAINING		
	CUP	19	9		SCREW	15	27
FA572222	TRANSFER PORT COVER .	25	32	FO14108	MAIN FUEL JET .064 -		
FA573010	CYLINDER	25	9		STANDARD	15	33
FA603396	DECAL, ENGINE COVER -			FO14166	IDLE MIXTURE SCREW	15	17
	STARBOARD	3	-	FO14186	MAIN FUEL JET .060 - 3750 -		
FA603397	DECAL, ENGINE COVER -				6250 FT. (OPT.)	15	-
	PORT	3	12	FO14187	MAIN FUEL JET .062 - 1250 -		
FA603892	DECAL, ENGINE COVER				3750 FT. (OPT.)	15	-
	FRONT	5	36	FO15213	MAIN NOZZLE	15	30
FA604386	DECAL, NUMERAL 30	3	13	FO15337	MAIN FUEL JET .058 - 6250 -		
FA84754-1	FUEL LINE SHORT	41	5		8250 FT. (OPT.)	15	-
FA85754-1	HOSE, FUEL PUMP TO			FO15623	FUEL BOWL GASKET	15	24
	BUSHING	23	13				

PARTS INDEX

Part Number	Description	Pg.	Ref. No.	Part Number	Description	Pg.	Ref. No.
FO16562	CHOKE SHAFT AND LEVER	15	8	FT8948-1	PROPELLER SHAFT		
FO16563	THROTTLE SHAFT RETURN				BEARING CAGE PULLER	43	-
	SPRING	15	5	FT8950	LEAKAGE TESTER	44	-
FO16620	THROTTLE SHAFT			FT8953	C-D TESTER	44	-
	POSITION "E" RING	15	34	FT8957	SEAL INSTALLER	43	-
FO17486	THROTTLE SHUTTER	15	35	FT8963	BEARING INSTALLER	43	-
FO17907	THROTTLE SHAFT AND			FT8964	BEARING REMOVER	43	-
	LEVER	15	4	FT8967	SEAL PROTECTOR	42	-
FO2510	FUEL BOWL RETAINING			FT8969	LUBRICANT - 7 OZ. L PSI		
	SCREW GASKET	15	25		LUBRICANT	45	-
FO4326	BODY CHANNEL WELCH			FT8971	SEAL INSTALLER	42	-
	PLUG	17	39	FT8972	DRIVESHAFT SEAL		
FO8942	THROTTLE SHUTTER				INSTALLER	43	-
	RETAINING SCREW AND			FT8976	SEAL PROTECTOR	42	-
	LOCKWASHER	15	36	FT8977	SEAL COLLAR INSTALLER .	42	-
FP273	PROPELLER (ACCESSORY			FT8983	SEALANT	45	-
	ITEM)	37	14	FT8996	IGNITION TESTER	44	-
FS409752	FUEL LINE COMPLETE (NOT				VALVE, CHECK	25	33
	SHOWN).	41	-	21-817741A1	FUEL LINE, LONG	41	7
FS458023	BEVEL GEAR FRONT			32-817738A1	SPARK PLUG (L 82)	27	41
	W/BEARING	37	29	33-82370M	PROPELLER SHAFT	37	23
FS529532	STERN BRACKET PORT ...	29	14	44-819500A3	ENGINE COVER	3	1
FS901244	EXTENSION, INLET WATER			100-818015A1	CRANKSHAFT	21	17
	LINE	37	2	400-818061A1	CONNECTING ROD	21	5
FT11201	HARNES ADAPTER	44	-	600-818052A4	GEAR HOUSING LOWER ..	37	30
FT1749	SNAP RING PLIERS	42	-	1600-817804A3	LOWER GEAR HOUSING		
FT2910	KNOCK-OFF NUT	42	-	1600-817896A2	COMPLETE (NOT SHOWN)	37	-
FT2938-1	CONTINUITY TESTER	44	-				
FT2951	CIRCUIT TRACER	44	-				
FT2953	SOCKET	42	-				
FT2954A	TEST WHEEL	44	-				
FT2961	CARBON BRUSH	42	-				
FT2961	LUBRICANT - RYKON						
	GREASE #2EP	45	-				
FT2962-1	SEALANT - 50 CC LOCTITE						
	H, NON-HARDENING						
	GRADE	45	-				
FT2963-2	SEALANT - 2 OZ. LOCTITE						
	D, HARDENING GRADE ..	45	-				
FT2987-1	LUBRICANT - ANTI-SEIZE ..	45	-				
FT2989	FLYWHEEL WEDGE	42	-				
FT2990	PISTON PIN REMOVER	42	-				
FT2996	RING COMPRESSOR	42	-				
FT2998	TORQUE WRENCH (0 - 100						
	LBS./FT.)	42	-				
FT2999	TORQUE WRENCH (0 - 600						
	LBS./IN.)	42	-				
FT3431	SEAL INSTALLER	43	-				
FT8900	HOSE CLAMP PLIERS	42	-				
FT8904	FORWARD BEARING CUP						
	INSTALLER	43	-				
FT8907	DRIVER HANDLE	43	-				
FT8918	BUSHING GUIDE SET	43	-				
FT8919	SPRING PIN PUNCH	43	-				
FT8921	FORWARD BEARING CUP						
	REMOVER	43	-				
FT8926	RING EXPANDER	42	-				
FT8932	LIFTING HOOK	42	-				
FT8935	SEALANT PRIMER - 6 OZ. ..	45	-				