



PARTS CATALOG

3.5 HP

SERIAL NUMBER

3.5 (1982) 32H2E

TABLE OF CONTENTS:

ACCESSORIES	27
CARBURETOR & REED PLATE	8
FUEL TANK	2
GEAR HOUSING	18
MAGNETO	6
MOTOR LEG	16
PARTS INDEX	28
POWER HEAD	12
SPECIAL TOOLS - LOWER UNIT	24
SPECIAL TOOLS - LUBRICANTS AND SEALANTS	26
SPECIAL TOOLS - POWER HEAD	23
SPECIAL TOOLS - TEST EQUIPMENT	25
SPECIAL TOOLS - TUNE-UP	22
STARTER	4

NOTE: *Indented description indicate that these parts are included in preceeding assembly.*

AR = As Required

NSS = Not Sold Separate

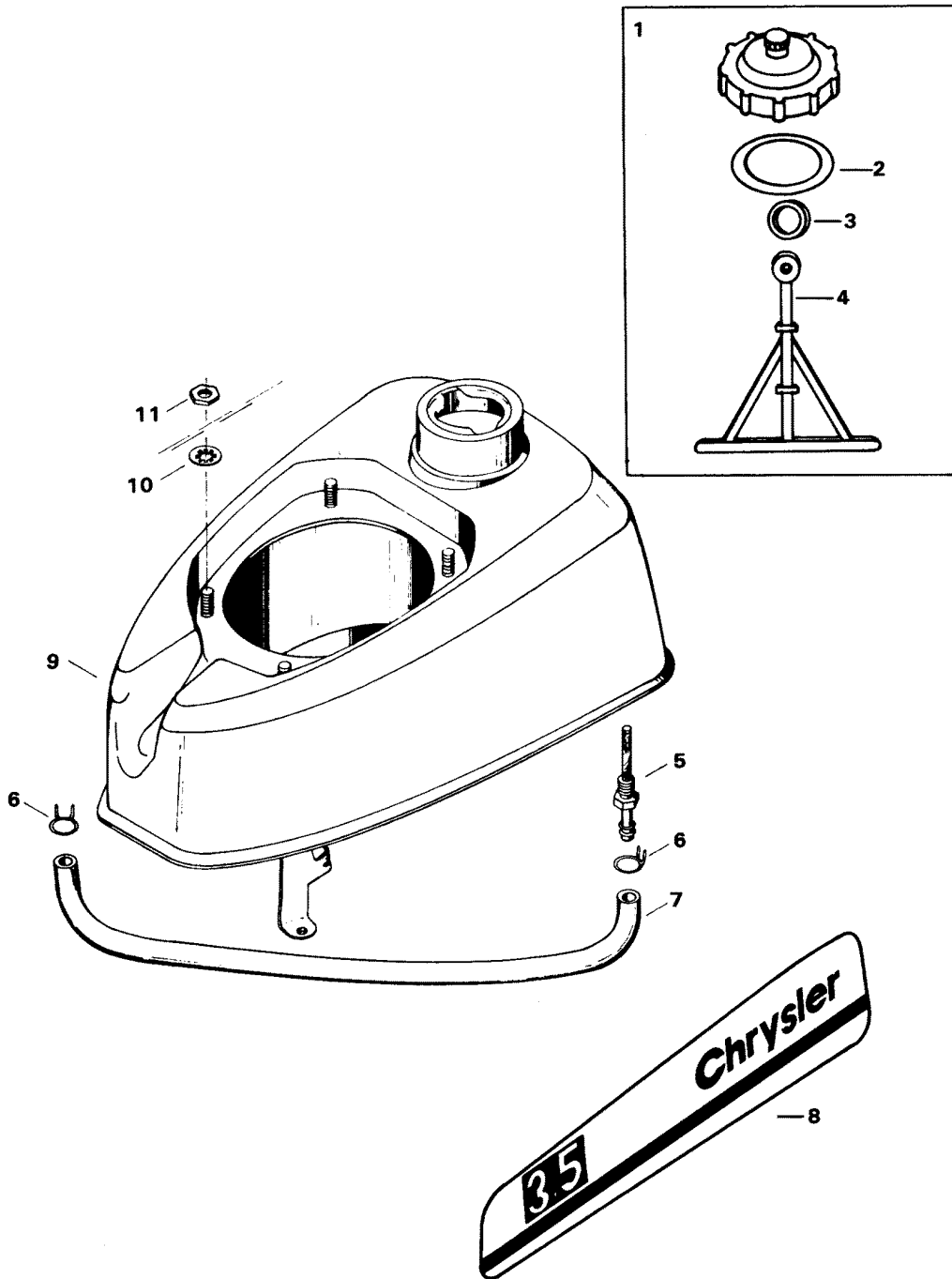
OPT = Optional

NS = Not Shown

THESE PARTS BOOKS/FICHE CARD ARE COPYRIGHTED AND MAY NOT BE DISTRIBUTED OR REPRODUCED IN ANY OTHER FORMAT BY ANYONE OTHER THAN MERCURY MARINE WITHOUT THE PRIOR WRITTEN CONSENT OF MERCURY MARINE.

THIS PAGE INTENTIONALLY LEFT BLANK

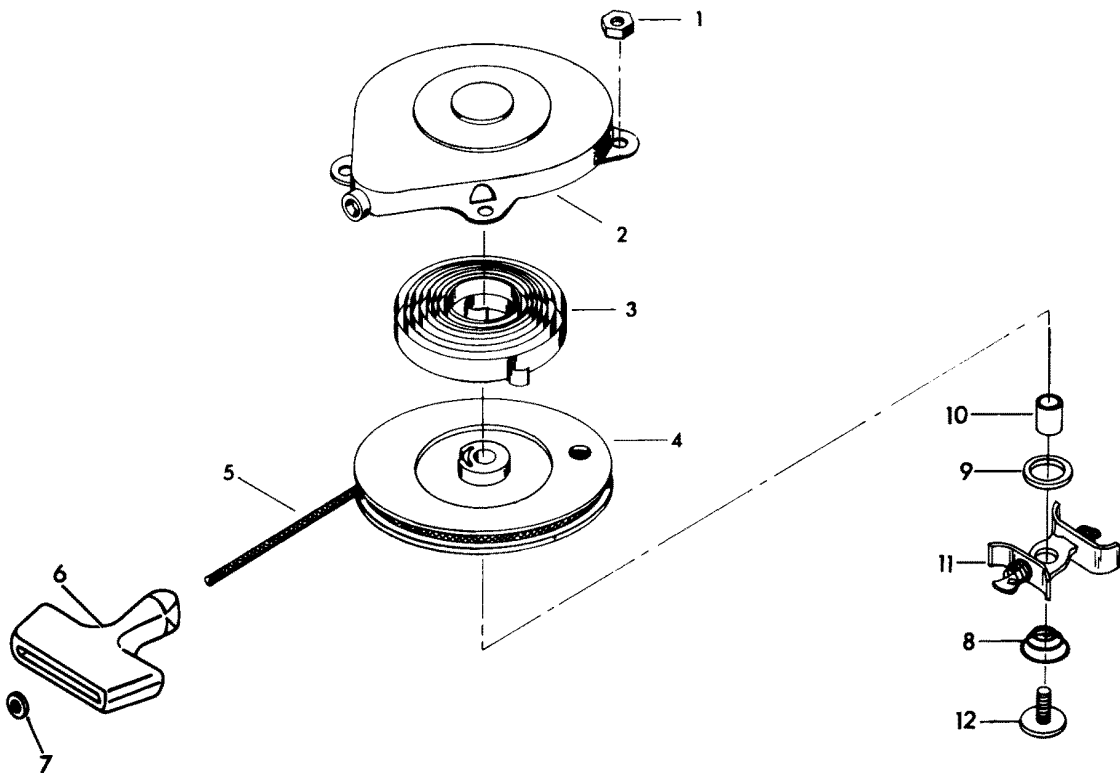
FUEL TANK



FUEL TANK

REF. NO.	PART NO.	SYM.	QTY.	DESCRIPTION
1	F521251-3		1	GAS CAP COMPLETE (NOT SHOWN). INCLUDES ILLUSTRATION 2, 3, 4.
2	F17980		1	FUEL CAP GASKET
3	F427249		1	RETAINING RING
4	F17938		1	ANCHOR
5	F521811		1	FITTING, GAS TANK
6	F2706772		2	HOSE CLAMP
7	FA901753		1	HOSE W/ILLUS. 6
8	FA394396		1	DECAL, ENGINE TANK, ST'BD W/LITERATURE
-	FA394397		1	DECAL, ENGINE TANK PORT W/LITERATURE
9	F521034-1		1	FUEL TANK
10	F8061		4	INTERNAL TOOTH LOCKWASHER

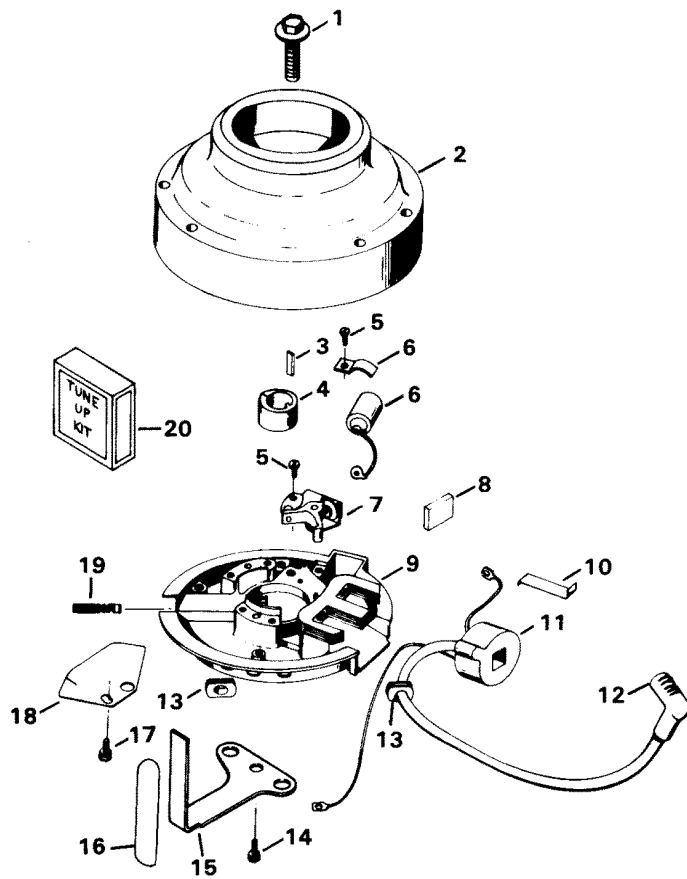
STARTER



STARTER

REF. NO.	PART NO.	SYM.	QTY.	DESCRIPTION
1	F1896		4	HEX NUT
2	F15601		1	COVER
3	F15570		1	SPRING, REWIND
4	F15591		1	ROTOR
5	F15582-1		1	STARTER ROPE
6	F286132		1	HANDLE, STARTER ROPE
7	F2042		1	PLAIN WASHER
8	F15596		1	SPRING
9	F15594		2	WASHER
10	F15602		1	NYLINER
11	F15595		1	FRICTION SHOE ASSEMBLY
12	F15597		1	SCREW
-	F521063-2		1	STARTER - COMPLETE INCLUDES ITEMS MARKED WITH AN ASTERISK (*)

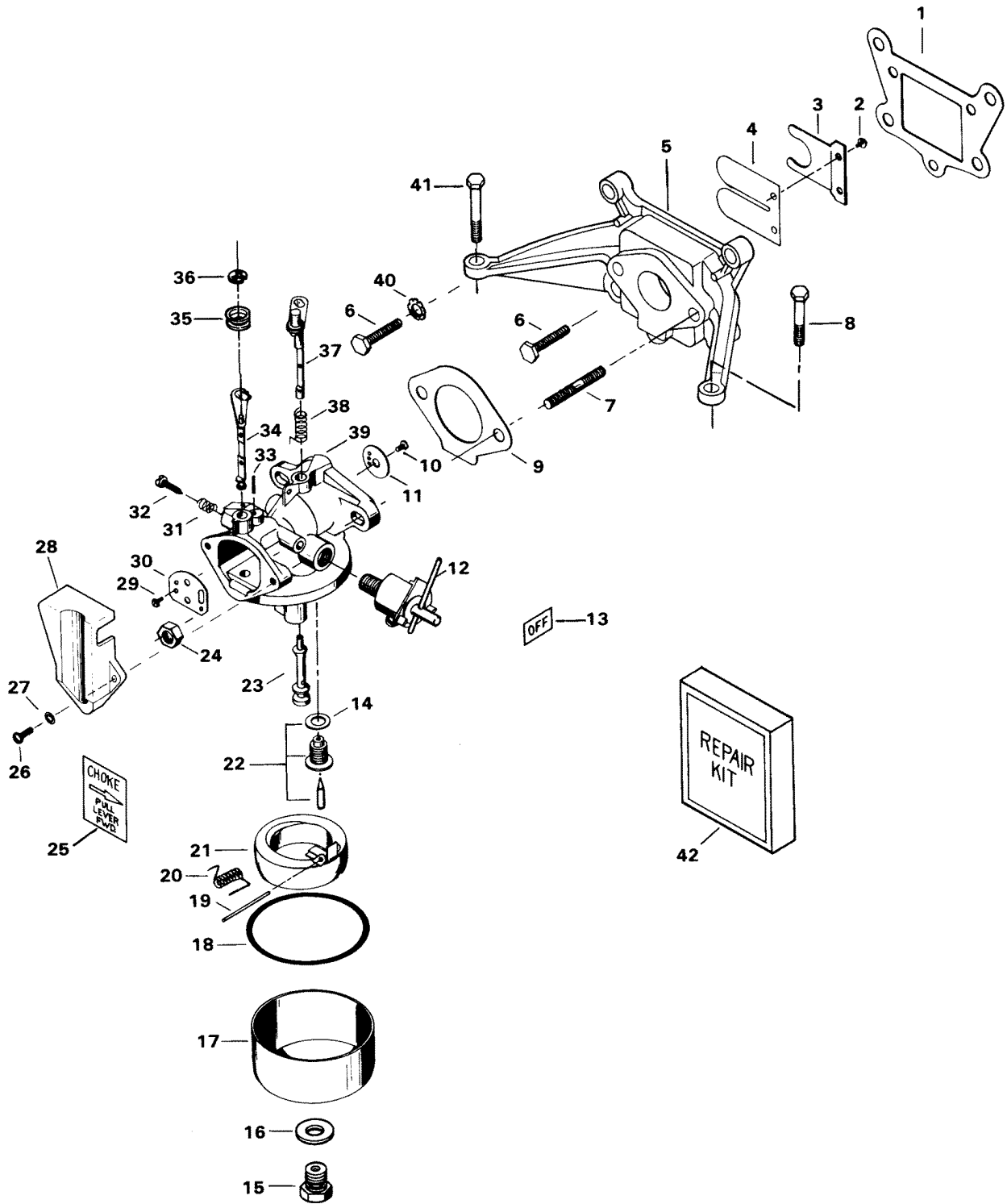
MAGNETO



MAGNETO

REF. NO.	PART NO.	SYM.	QTY.	DESCRIPTION
1	F521552		1	SCREW, FLYWHEEL
2	F535097		1	FLYWHEEL
3	F521498		1	KEY, FLYWHEEL
4	F521002		1	CAM
5	F12090		2	MOUNTING SCREW
6	FK12357		1	CONDENSER W/CLAMP
7	F12359		1	CONTACT SET
8	F12360		1	FELT CAM
9	F12362		1	STATOR PLATE W/CORE
10	F12350		1	WEDGE SPRING
11	FK12369		1	COIL W/LEAD WIRE AND ILLUS. 10
12	FK1123		1	SPARKIE KIT
13	F12361		1	LEAD WIRE AND GROMMET PACKAGE
14	F1734		1	SLOTTED FILL HD SCREW, 1/4 - 20 X 1/2
15	F601081		1	THROTTLE LEVER
16	F459137		1	GRIP
17	F1655		1	HEX HD SCREW W/SPRING LOCKWASHER, 1/4 - 20 X 3/8
18	F521192		1	THROTTLE CAM
19	F12066		1	FRICTION SCREW
20	FK1058		1	TUNE-UP KIT. INCLUDES ITEMS MARKED WITH AN ASTERISK (*)

CARBURETOR & REED PLATE

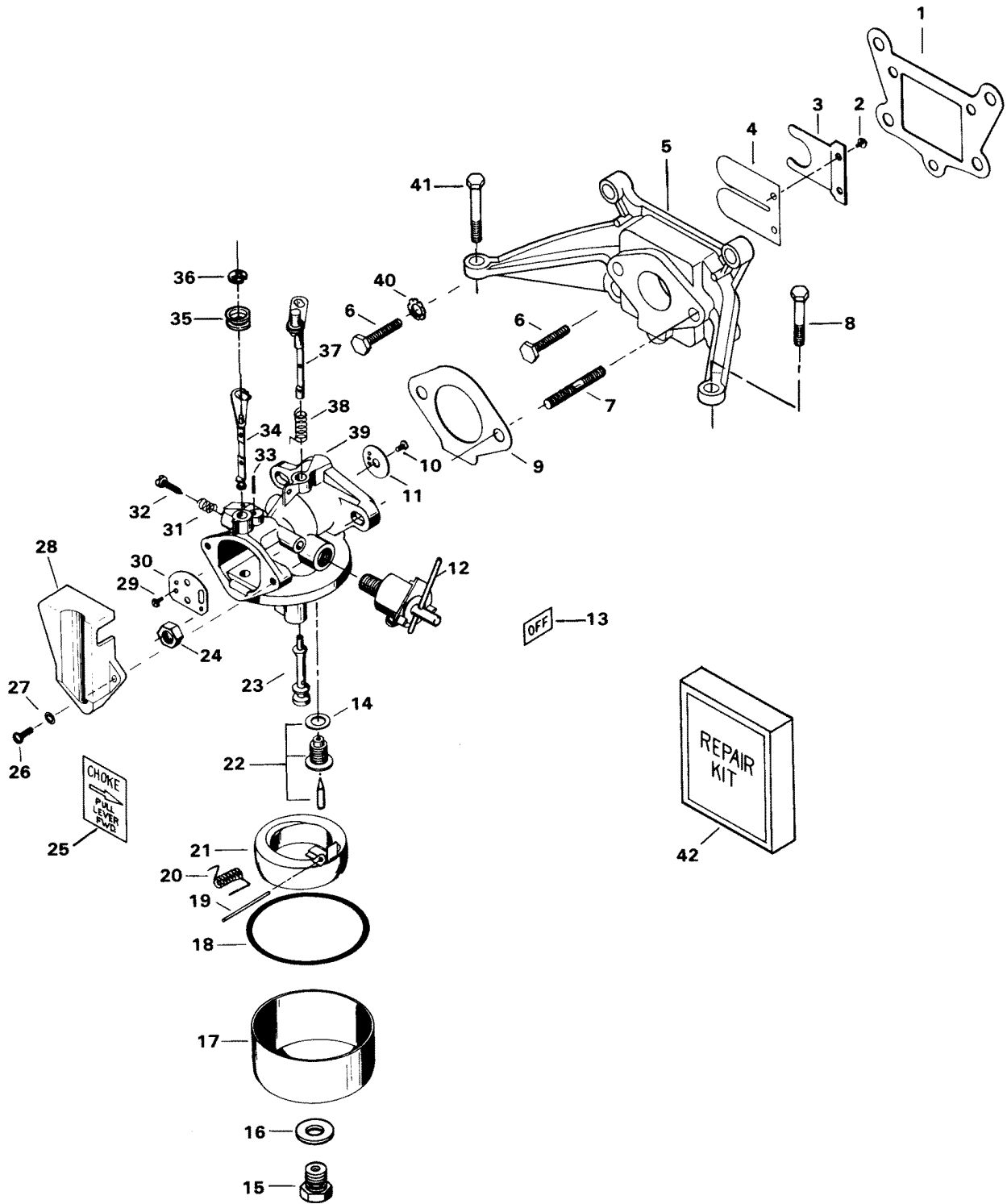


CARBURETOR & REED PLATE

REF. NO.	PART NO.	SYM.	QTY.	DESCRIPTION
1	F521168		1	GASKET, CARBURETOR ADAPTER
2	F1755		2	ROUND HD SCREW W/LOCKWASHER, 6 - 32 X 5/16
3	F424161		1	REED STOP
4	F31160-1		1	REED
5	F2A332167		1	CARBURETOR ADAPTER WILLUS. 2, 3, 4 AND 7
6	F1532		4	HEX CAP SCREW, 1/4 - 20 X 1
7	F433209-1		2	STUD, CARBURETOR, SEE PAGE 8, ILLUS. 28
9	F521906		1	GASKET, CARBURETOR
10	F10071		1	SCREW
11	F10060		1	VALVE, THROTTLE
12	F601489		1	VALVE, FUEL SHUT-OFF
13	F521894		1	DECAL "OFF"
14	F10066		1	GASKET, VALVE SEAT
15	F10096		1	JET ASSEMBLY (.039) STD. SEA LEVEL - 3000 FT.
-	F10093		-	JET ASSEMBLY (.038) OPT. SEA LEVEL - 3000 FT. - 5000 FT.
-	F10086		-	JET ASSEMBLY (.037) OPT. SEA LEVEL - 5000 FT. - 7000 FT.
-	F10094		-	JET ASSEMBLY (.036) OPT. SEA LEVEL - 7000 FT. AND UP OPTIONAL SIZE MAIN FUEL JETS (USE ONLY AT ALTITUDES INDICATED)
16	F10090		2	GASKET, BOWL RETAINER
17	F10058		1	FUEL BOWL
18	F10068		1	GASKET, FUEL BOWL
19	F10064		1	FLOAT PIN
20	F10084		1	SPRING, FLOAT SUPPORT
21	F10063		1	FLOAT
22	F10100		1	VALVE, SEAT AND GASKET ASSEMBLY
23	F10065		1	NOZZLE
24	F1490		2	HEX NUT, 1/4 - 20
25	F601248		1	DECAL (CHOKE)
26	F1064		2	FILL HD SCREW, 8 - 32 X 3/8
27	F8078		2	LOCKWASHER, INTERNAL TOOTH
28	F521708		1	CARBURETOR COVER
29	F10070		2	SCREW, CHOKE VALVE
30	F10062		1	CHOKE VALVE
31	F10073		1	SPRING, IDLE ADJUSTMENT NEEDLE
32	F10077		1	NEEDLE, IDLE
33	F10072		1	SPRING, CHOKE STOP
34	F10061		1	CHOKE SHAFT
35	F318504		1	GROMMET, CHOKE
36	F90807		1	RETAINER, CHOKE
37	F10059		1	THROTTLE SHAFT
38	F10075		1	SPRING, THROTTLE RETURN

CONTINUED ON NEXT PAGE ➡

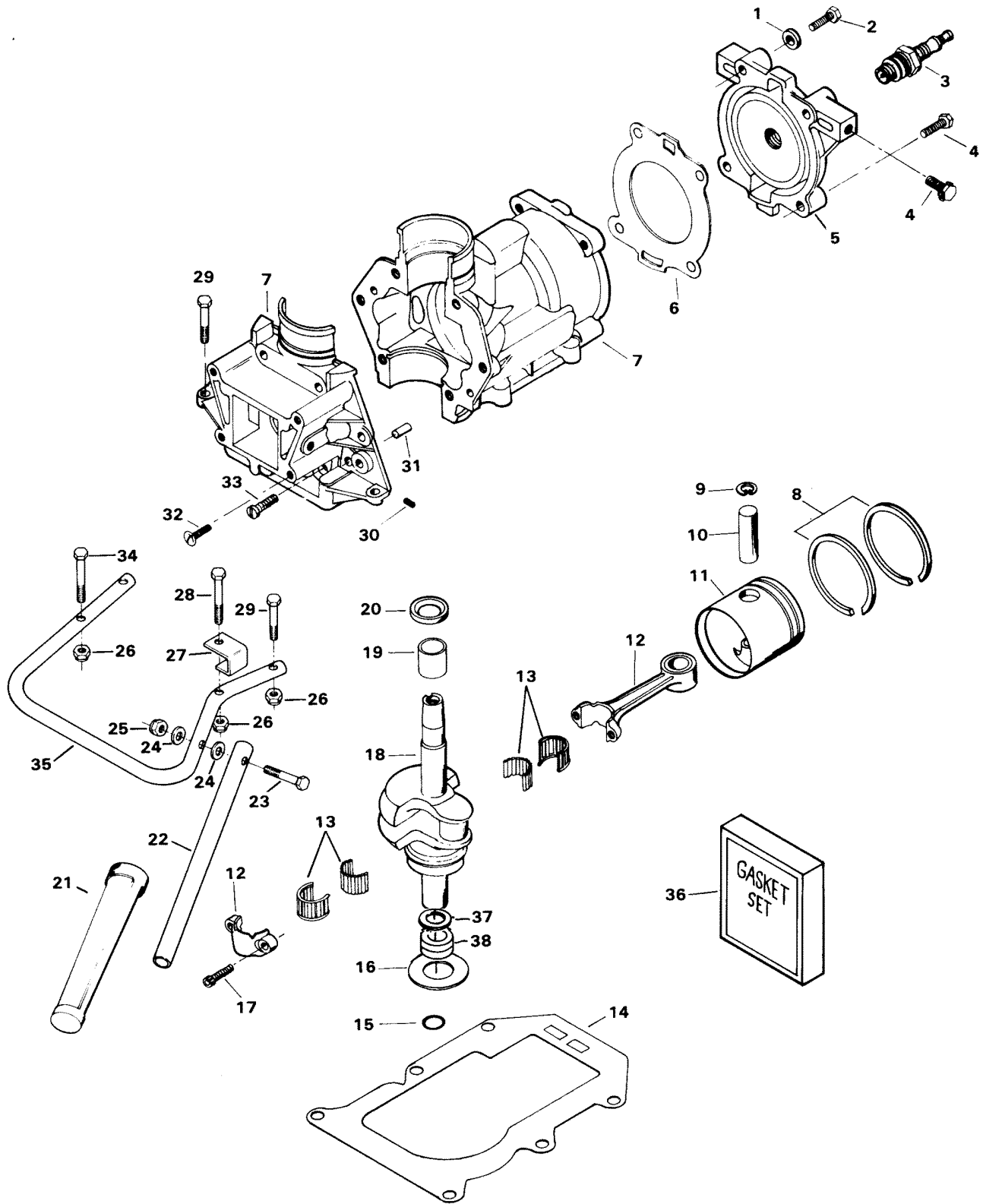
CARBURETOR & REED PLATE



CARBURETOR & REED PLATE

REF. NO.	PART NO.	SYM.	QTY.	DESCRIPTION
39	F521061-6		1	CARBURETOR - COMPLETE
40	F8060		2	EXTERNAL TOOTH LOCKWASHER, SEE PAGE 8, ILLUS. 35
42	F10098		1	REPAIR KIT. INCLUDES ALL ITEMS MARKED WITH AN ASTERISK (*)
-	F10069		1	GASKET SET. INCLUDES ALL ITEMS MARKED WITH A DOUBLE ASTERISK (**)
-	F10116		1	BODY CHANNEL PLUG KIT (NOT SHOWN)

POWER HEAD

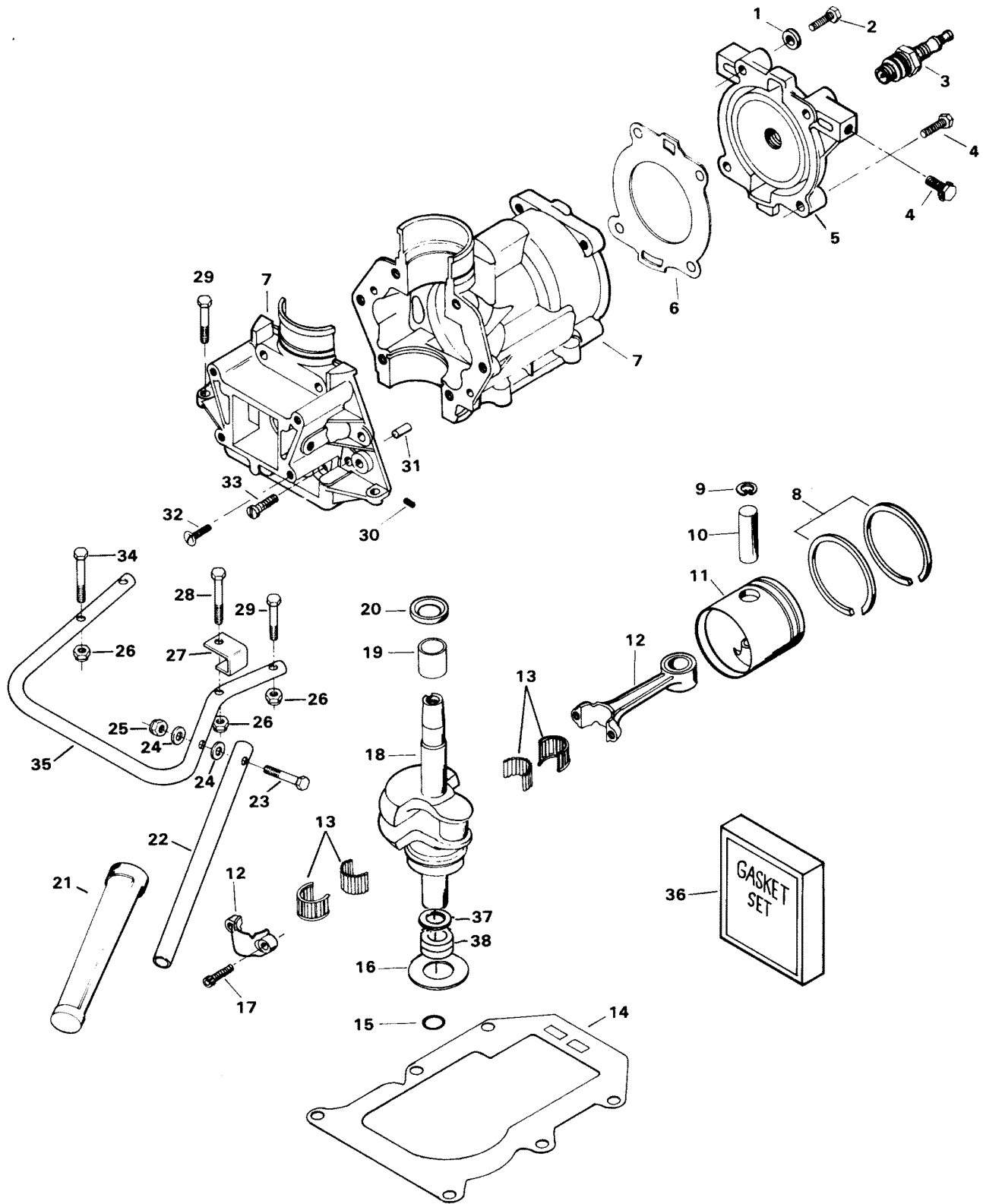


POWER HEAD

REF. NO.	PART NO.	SYM.	QTY.	DESCRIPTION
1	F8028		4	WASHER, PLAIN
2	F901938-1		4	SCREW, CYLINDER HEAD
3	33-82370M		1	SPARK PLUG (L-86)
4	F1426		2	SCREW, HEX HD 1/4 - 20 X 7/16
5	F521518		1	HEAD, CYLINDER
6	F521529		1	GASKET, CYLINDER HEAD
7	FA601010		1	CYLINDER ASSEMBLY W/CRANKCASE COVER, ILLUS. 30, 31, AND 32
-	FC521010		1	SHORT BLOCK (NOT SHOWN) INCLUDE ALL ITEMS MARKED WITH AN ASTERISK (*)
8	39-818038A1		1	RING SET, PISTON (2 RINGS)
9	F250410		2	RING, RETAINING, PISTON PIN
10	F250017		1	PIN, PISTON
11	F521015		1	PISTON
12	F2A521016		1	ROD, CONNECTING W/SCREWS AND BEARINGS AND ILLUS. 17
13	F2A237228		2	BEARING ASSEMBLY, W/CAGE AND ROLLERS
14	F521279		1	GASKET, CYLINDER EXHAUST
15	F521579		1	SEAL, SPLINE, CRANKSHAFT
16	F521118-1		1	SEAL, CRANKSHAFT, LOWER
17	F36634		2	SCREW, CONNECTING ROD
18	F2A527018		1	CRANKSHAFT ASSEMBLY W/ILLUS. 37 AND 38
19	F521013		1	BEARING, CRANKSHAFT, UPPER
20	F521146		1	SEAL, CRANKSHAFT, UPPER
21	F211137-1		1	GRIP, STEERING HANDLE
22	F601079		1	HANDLE, STEERING
23	F1893		1	SCREW 5/16 - 18 X 1 1/2
24	F1907		2	WASHER
25	F2108		1	NUT, LOCK 5/16 - 18
26	F7023		4	NUT, LOCK 1/4 - 20
27	F601078		1	BRACKET, STEERING HANDLE STOP
28	F1891		1	SCREW 1/4 - 20 X 1 1/2
29	F1699		2	SCREW 1/4 - 20 X 1 1/8
30	F1789		1	PLUG, PIPE
31	F8559		1	PIN, DOWEL
32	F1107		2	SCREW 1/4 - 20 X 3/4
33	F1099		4	SCREW 1/4 - 20 X 1 1/4
34	F1708		1	SCREW 1/4 - 20 X 1 3/8
35	F601647		1	HANDLE
36	FG1022		1	GASKET SET. INCLUDES ITEMS LISTED BELOW
-	F521168		1	GASKET, CARBURETOR ADAPTER

CONTINUED ON NEXT PAGE ➡

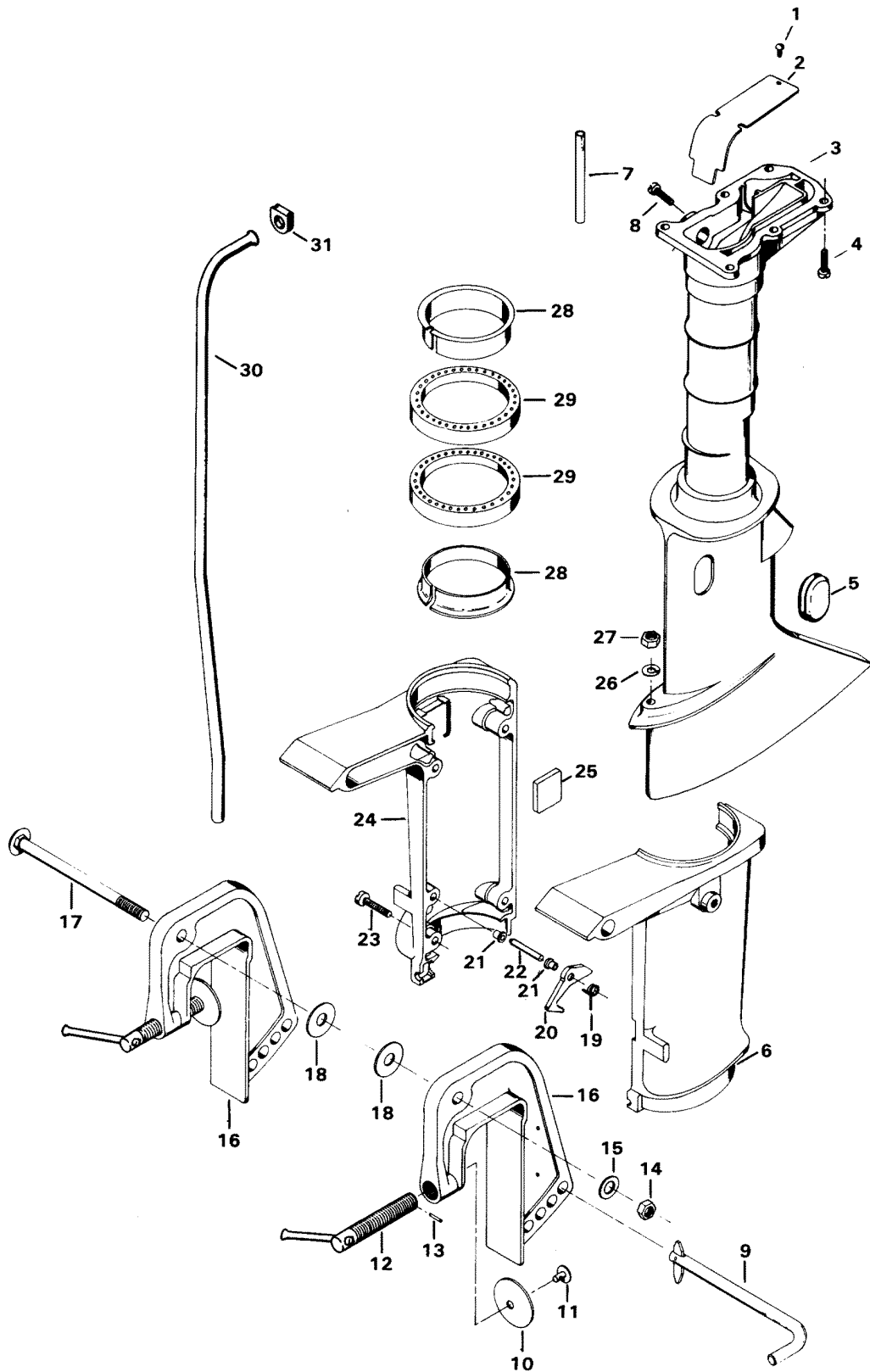
POWER HEAD



POWER HEAD

REF. NO.	PART NO.	SYM.	QTY.	DESCRIPTION
-	F521279		1	GASKET, CYLINDER, EXHAUST
-	F521529		1	GASKET, CYLINDER HEAD
-	F521906		1	GASKET, CARBURETOR
37	F521270		1	SINGER
38	F521910		1	BEARING, CRANKSHAFT LOWER

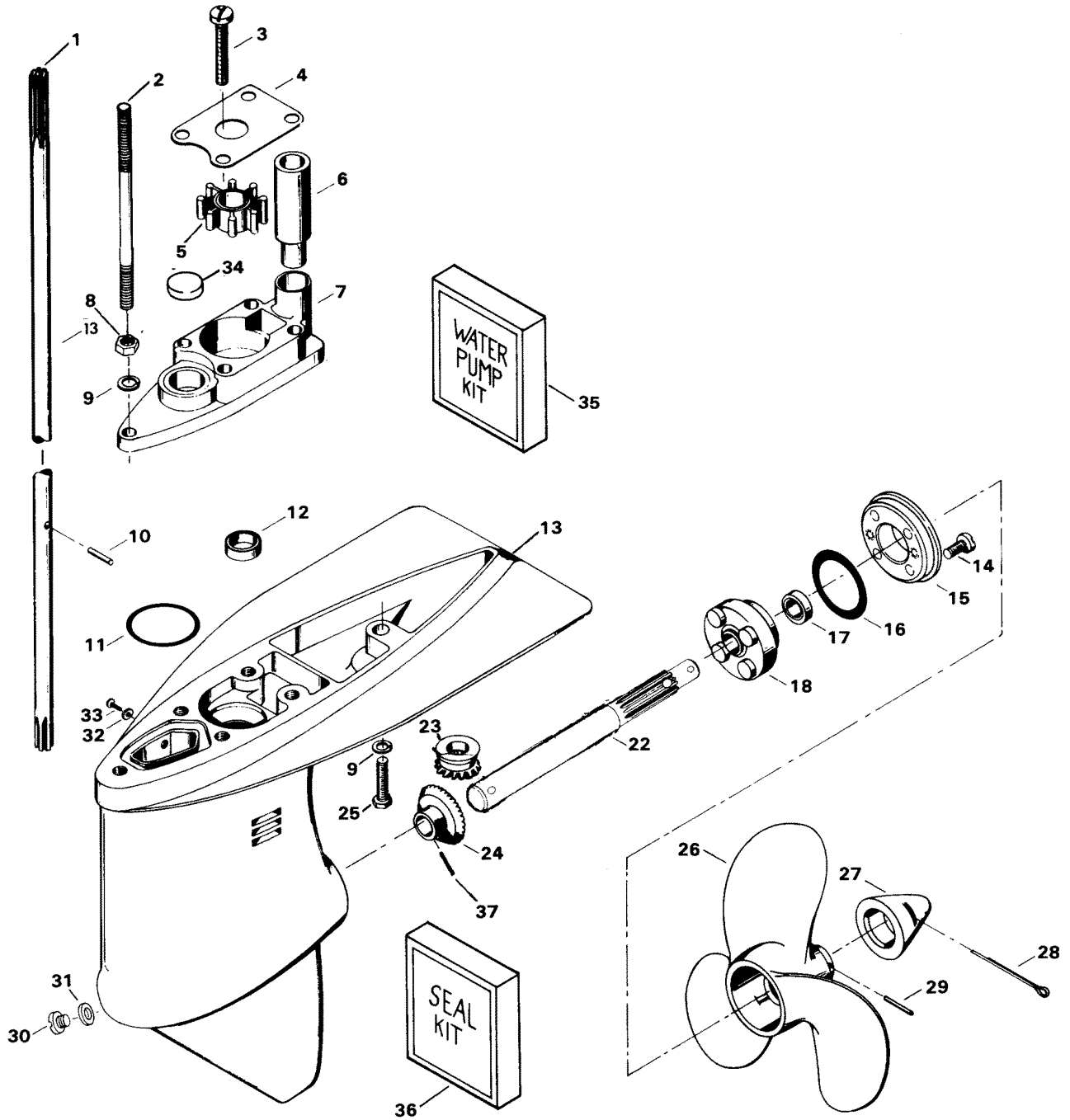
MOTOR LEG



MOTOR LEG

REF. NO.	PART NO.	SYM.	QTY.	DESCRIPTION
1	F1645		3	RD HD THD. CUTTING, 6 - 32 X 1/4
2	FA341151		1	PLATE, EXHAUST W/ILLUS. 1
3	FK601133		1	MOTOR LEG W/ITEMS 1, 2, AND 32
4	F1922		6	HEX HD SCREW, 1/4 - 20 X 5/8
5	F46899-1		1	COVER, SHIFT COUPLING
6	817815A4		1	SWIVEL BRACKET - PORT W/ILLUS. 21 ORIGINAL FORCE P/N A 468072-3
7	F521261		1	LINE, WATER OUTLET
8	F1445		1	SCREW, 1/4 - 14 X 3/8
9	817810A1		1	LOCK BAR ASSEMBLY
10	F24074		2	CLAMP SCREW FOOT
11	F66480		2	STUD
12	FA28073-1		2	CLAMP SCREW W/ILLUS. 10, 11 AND 13
13	F8537		2	SPRING PIN
14	F7026		1	STOP NUT 3/8 - 16
15	F2014		1	PLAIN WASHER
16	FA601532		2	STERN BRACKET W/ILLUS. 10, 11, 12 AND 13
17	F468037-1		1	PIVOT BOLT
18	F2037		2	PLAIN WASHER
19	F468300		1	SPRING, REVERSE LOCK
20	F468349		1	REVERSE LOCK
21	F197813		2	BEARING
22	F468350		1	PIN, REVERSE LOCK
23	F2035		4	PHILLIPS FILL HD SCREW, 1/4 - 20 X 1
24	FA601572		1	SWIVEL BRACKET - STARBOARD W/ILLUS. 21 AND 25
25	F521661-1		2	PAD, SWIVEL FRICTION
26	F8083		1	SPRING LOCKWASHER
27	F1341		1	NUT
28	F468169		2	BEARING, SWIVEL BRACKET
29	FA468346		2	SHOCK MOUNT W/LITERATURE
30	F521244-1		1	WATER LINE STANDARD LEG
31	F521342-1		1	SEAL, WATER LINE

GEAR HOUSING

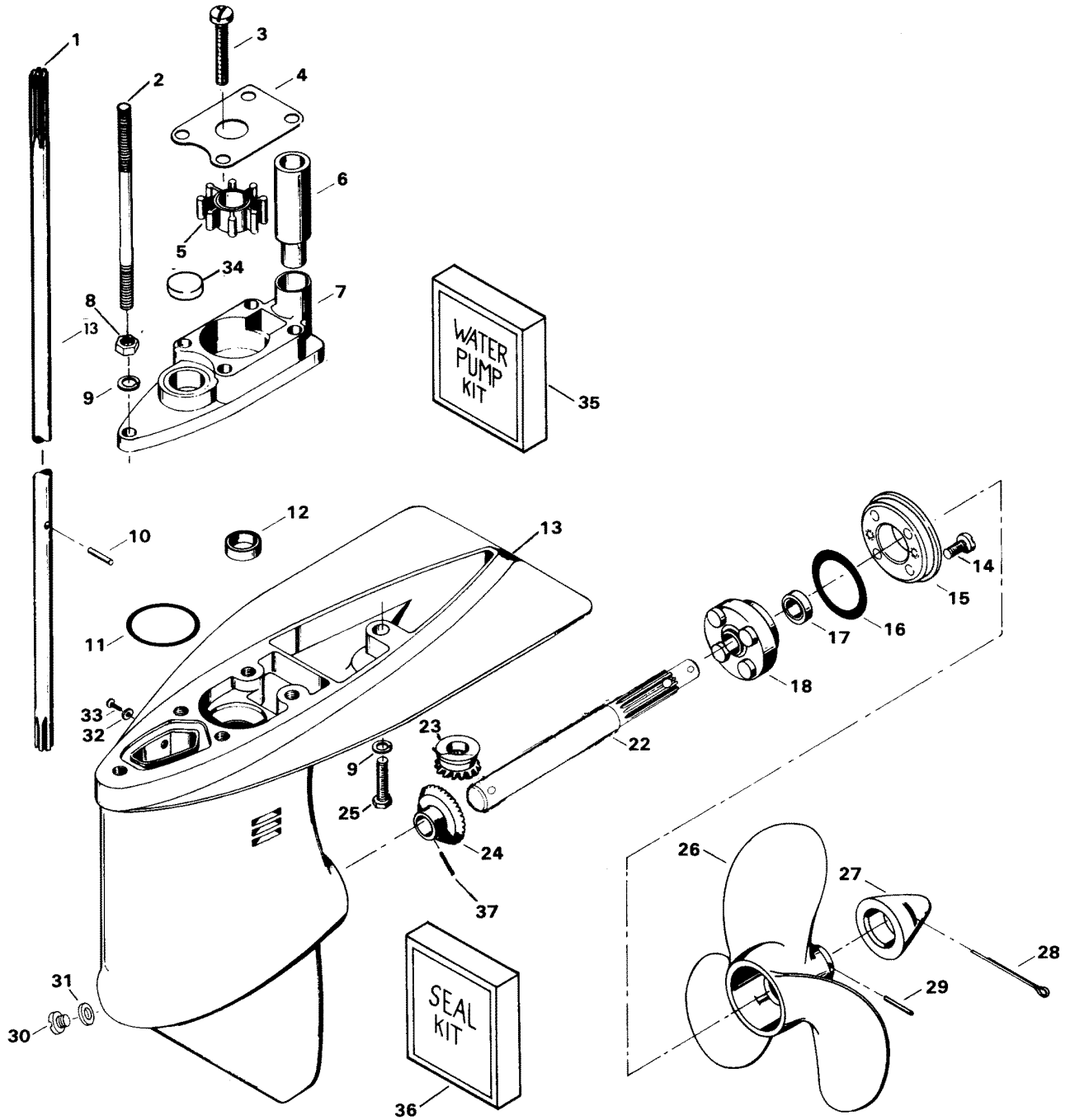


GEAR HOUSING

REF. NO.	PART NO.	SYM.	QTY.	DESCRIPTION
1	F521128		1	DRIVESHAFT
2	F601006		1	STUD
3	F1504		4	FILL HD SCREW, 1/4 - 20 X 1 1/4
4	F521537		1	PLATE, WATER PUMP
5	F521065		1	IMPELLER
6	FA521735		1	SEAL, WATERLINE W/LITERATURE
7	FA601060		1	BODY, WATER PUMP W/ILLUS. 34
8	F1341		1	NUT
9	F8083		2	LOCKWASHER
10	F390563		1	PIN, PUMP DRIVE
11	F521783		1	SEAL
12	F318307		1	SEAL, DRIVESHAFT
13	F2A521054		1	GEAR HOUSING ASSEMBLY W/BEVEL PINION THRUST BEARING, PROP SHAFT BEARING, DRIVESHAFT UPPER BEARING, ILLUS. 12, 32 AND 33
-	1600-817915A1		1	GEAR HOUSING ASSEMBLY COMPLETE. INCLUDE ALL ITEMS MARKED WITH AN ASTERISK (*) ORIGINAL FORCE P/N C 601054-1
14	F525457		4	SCREW, 1/4 - 20 X 5/8
15	F521296		1	RETAINER, PROPELLER SHAFT BEARING CAGE
16	F521305		1	SEAL, O-RING
17	F521307		1	SEAL, PROPELLER SHAFT
18	FA341298		1	CAGE, BEARING W/BEARING ILLUS. 17
22	F601098		1	SHAFT, PROPELLER
23	F521266		1	GEAR, BEVEL PINION
24	F601023		1	GEAR, BEVEL
25	F1199		1	SCREW, 1/4 - 20 X 1
26	FP332		1	PROPELLER
27	11-817752A1		1	NUT, PROPELLER W/ILLUS. 28 ORIGINAL FORCE P/N A 286094-1
28	F1846		1	PIN, COTTER
29	FA324101		1	PIN, PROPELLER (PACK OF 3)
30	F50109		1	PLUG, GEAR HOUSING
31	F8077		1	WASHER
32	F8074		1	WASHER
33	F1077		1	SCREW, 10 - 24 X 1/4
34	F1526		1	PLUG
35	FK1118		1	WATER PUMP KIT. INCLUDES ITEMS LISTED BELOW
-	FA521735		1	SEAL, WATERLINE
-	FA601060		1	BODY, WATER PUMP

CONTINUED ON NEXT PAGE ➡

GEAR HOUSING



GEAR HOUSING

REF. NO.	PART NO.	SYM.	QTY.	DESCRIPTION
-	F521537		1	PLATE, PUMP, TOP
-	F521065		1	IMPELLER, WATER PUMP
-	F1504		4	SCREW 1/4 - 20 X 1 1/4
36	FK1057		1	GEAR HOUSING SEAL KIT. INCLUDE ALL ITEMS MARKED WITH A DOUBLE ASTERISK (**)
37	F8551		1	SPRING PIN 5/32 X 13/16

SPECIAL TOOLS - TUNE-UP

REF. NO.	PART NO.	SYM.	QTY.	DESCRIPTION
-	FT8930-1		0	FEELER GAUGE TO SET BREAKER POINT GAP
-	FT8998		0	KNOCK-OFF SCREW TO REMOVE FLYWHEEL
-	FT2989		0	FLYWHEEL WEDGE TO REMOVE FLYWHEEL
-	FT2993		0	SPANNER WRENCH TO HOLD FLYWHEEL WHEN REMOVING FLYWHEEL SCREW
-	FT2998		0	TORQUE WRENCH TO TORQUE FLYWHEEL SCREW

SPECIAL TOOLS - POWER HEAD

REF. NO.	PART NO.	SYM.	QTY.	DESCRIPTION
-	FT8919		0	PIN PUNCH TO REMOVE CYLINDER CRANKCASE COVER LOCATING SCREWS
-	FT8929		0	CONNECTING ROD TOOL TO REMOVE CONNECTING ROD SCREWS
-	FT8926		0	RING EXPANDER TO REMOVE AND INSTALL PISTON RINGS
-	FT1749		0	SNAP RING PLIERS TO REMOVE AND INSTALL PISTON PIN RETAINING RINGS
-	FT2997		0	RING COMPRESSOR INSTALL PISTON AND RINGS IN CYLINDER
-	FT2999		0	TORQUE WRENCH TO PROPERLY TIGHTEN FASTENERS
-	FT2991		0	CARBON BRUSH TO REMOVE CARBON BUILD-UP FROM PISTON AND CYLINDER HEAD
-	FT8900		0	HOSE CLAMP PLIERS TO REMOVE CLAMPS FROM FUEL LINES
-	FT2990		0	PISTON PIN TOOL TO INSTALL PISTON PIN INTO PISTON

SPECIAL TOOLS - LOWER UNIT

REF. NO.	PART NO.	SYM.	QTY.	DESCRIPTION
-	FT8948-1		0	PULLER TO REMOVE BEARING CAGE RETAINER
-	FT2915		0	SEAL INSTALLER TO INSTALL PROPELLER SHAFT SEAL AND DRIVE SHAFT SEAL
-	FT8957		0	SEAL INSTALLER TO INSTALL SHIFT ROD SEAL

SPECIAL TOOLS - TEST EQUIPMENT

REF. NO.	PART NO.	SYM.	QTY.	DESCRIPTION
-	FT8950		0	LEAKAGE TESTER TO CHECK GEAR HOUSING FOR LEAKS

SPECIAL TOOLS - LUBRICANTS AND SEALANTS

REF. NO.	PART NO.	SYM.	QTY.	DESCRIPTION
-	FT8969		0	LUBRICANT - LPSI
-	FT2987-1		0	LUBRICANT - ANTI-SEIZE
-	FT2961		0	LUBRICANT - RYKON GREASE #2EP
-	FT8983		0	SEALANT - RTV
-	FT2962-1		0	SEALANT - LOCTITE H, NON-HARDENING
-	FT2963-2		0	SEALANT - LOCTITE D, HARDENING GRADE
-	FT8936-1		0	SEALANT - LOCTITE RETAINING COMPOUND #75
-	FT8935		0	SEALANT PRIMER - GRADE T

ACCESSORIES

REF. NO.	PART NO.	SYM.	QTY.	DESCRIPTION
-	F5H164		0	A-C LIGHTING COIL KIT PROVIDES 12 VOLT, 60 WATT OUTPUT FOR OUTBOARD RUNNING LIGHTS.
-	F5H091		0	BATTERY CHARGING SYSTEM USED IN CONJUNCTION WITH 5H164 LIGHTING COIL KIT.
-	F5H025		0	ANTI CORROSION SACRIFICIAL ANODE TO PROTECT ENGINE FROM ELECTROLYSIS CORROSION.
-	5H092		0	FUEL PUMP KIT ADAPTS ENGINE TO USE WITH REMOTE FUEL TANK.
-	F5H027		0	6 GALLON FUEL TANK USED IN CONJUNCTION WITH 5H092 FUEL PUMP KIT TO PERMIT EXTENDED CRUISING RANGE.
-	F596		0	CHRYSLER OUTBOARD OIL SEE BLOCK COMMENT 1.
-	F597		0	CHRYSLER OUTBOARD GEAR LUBE SEE BLOCK COMMENT 2.
-	F5H059		0	CHRYSLER OUTBOARD MULTI-PURPOSE GREASE LUBRICATES BEARINGS AND OTHER MOVING PARTS. AVAILABLE IN 8 OZ. TUBES AND 12 TUBE CASES.
-	F5H060		0	CHRYSLER OUTBOARD GREASE GUN USED WITH CHRYSLER OUTBOARD MULTI-PURPOSE GREASE TUBES FOR PRESSURE FITTINGS.
-	F5H134		0	BOAT WHITE LACQUER ENGINE TOUCH UP PAINT IN 12 3/4 OZ. SPRAY BOMBS (6 CAN PER CASE).
-	FK1120		0	LONG LEG CONVERSION KIT

PARTS INDEX

Part Number	Description	Pg.	Ref. No.	Part Number	Description	Pg.	Ref. No.
5H092	FUEL PUMP KIT	27	-	F1504	SCREW 1/4 - 20 X 1 1/4	21	-
817810A1	LOCK BAR ASSEMBLY	17	9	F1526	PLUG	19	34
817815A4	SWIVEL BRACKET - PORT	17	6	F1532	HEX CAP SCREW, 1/4 - 20 X 1	9	6
F10058	FUEL BOWL	9	17	F15570	SPRING, REWIND	5	3
F10059	THROTTLE SHAFT	9	37	F15582-1	STARTER ROPE	5	5
F10060	VALVE, THROTTLE	9	11	F15591	ROTOR	5	4
F10061	CHOKE SHAFT	9	34	F15594	WASHER	5	9
F10062	CHOKE VALVE	9	30	F15595	FRICTION SHOE ASSEMBLY	5	11
F10063	FLOAT	9	21	F15596	SPRING	5	8
F10064	FLOAT PIN	9	19	F15597	SCREW	5	12
F10065	NOZZLE	9	23	F15601	COVER	5	2
F10066	GASKET, VALVE SEAT	9	14	F15602	NYLINER	5	10
F10068	GASKET, FUEL BOWL	9	18	F1645	RD HD THD. CUTTING, 6 - 32 X 1/4	17	1
F10069	GASKET SET.	11	-	F1655	HEX HD SCREW W/SPRING LOCKWASHER, 1/4 - 20 X 3/8	7	17
F10070	SCREW, CHOKE VALVE	9	29	F1699	SCREW 1/4 - 20 X 1 1/8	13	29
F10071	SCREW	9	10	F1708	SCREW 1/4 - 20 X 1 3/8	13	34
F10072	SPRING, CHOKE STOP	9	33	F1734	SLOTTED FILL HD SCREW, 1/4 - 20 X 1/2	7	14
F10073	SPRING, IDLE ADJUSTMENT NEEDLE	9	31	F1755	ROUND HD SCREW W/LOCKWASHER, 6 - 32 X 5/16	9	2
F10075	SPRING, THROTTLE RETURN	9	38	F1789	PLUG, PIPE	13	30
F10077	NEEDLE, IDLE	9	32	F17938	ANCHOR	3	4
F10084	SPRING, FLOAT SUPPORT	9	20	F17980	FUEL CAP GASKET	3	2
F10086	JET ASSEMBLY (.037) OPT. SEA LEVEL - 5000 FT. - 7000 FT.	9	-	F1846	PIN, COTTER	19	28
F10090	GASKET, BOWL RETAINER	9	16	F1891	SCREW 1/4 - 20 X 1 1/2	13	28
F10093	JET ASSEMBLY (.038) OPT. SEA LEVEL - 3000 FT. - 5000 FT.	9	-	F1893	SCREW 5/16 - 18 X 1 1/2	13	23
F10094	JET ASSEMBLY (.036) OPT. SEA LEVEL - 7000 FT. AND UP	9	-	F1896	HEX NUT	5	1
F10096	JET ASSEMBLY (.039) STD. SEA LEVEL - 3000 FT.	9	15	F1907	WASHER	13	24
F10098	REPAIR KIT.	11	42	F1922	HEX HD SCREW, 1/4 - 20 X 5/8	17	4
F10100	VALVE, SEAT AND GASKET ASSEMBLY	9	22	F197813	BEARING	17	21
F10116	BODY CHANNEL PLUG KIT (NOT SHOWN)	11	-	F2014	PLAIN WASHER	17	15
F1064	FILL HD SCREW, 8 - 32 X 3/8	9	26	F2035	PHILLIPS FILL HD SCREW, 1/4 - 20 X 1	17	23
F1077	SCREW, 10 - 24 X 1/4	19	33	F2037	PLAIN WASHER	17	18
F1099	SCREW 1/4 - 20 X 1 1/4	13	33	F2042	PLAIN WASHER	5	7
F1107	SCREW 1/4 - 20 X 3/4	13	32	F2108	NUT, LOCK 5/16 - 18	13	25
F1199	SCREW, 1/4 - 20 X 1	19	25	F211137-1	GRIP, STEERING HANDLE	13	21
F12066	FRICTION SCREW	7	19	F24074	CLAMP SCREW FOOT	17	10
F12090	MOUNTING SCREW	7	5	F250017	PIN, PISTON	13	10
F12350	WEDGE SPRING	7	10	F250410	RING, RETAINING, PISTON PIN	13	9
F12359	CONTACT SET	7	7	F2706772	HOSE CLAMP	3	6
F12360	FELT CAM	7	8	F286132	HANDLE, STARTER ROPE	5	6
F12361	LEAD WIRE AND GROMMET PACKAGE	7	13	F2A237228	BEARING ASSEMBLY, W/CAGE AND ROLLERS	13	13
F12362	STATOR PLATE W/CORE	7	9	F2A332167	CARBURETOR ADAPTER	9	5
F1341	NUT	17	27	F2A521016	ROD, CONNECTING W/SCREWS AND BEARINGS AND ILLUS.	17	13
F1341	NUT	19	8	F2A521054	GEAR HOUSING ASSEMBLY	19	13
F1426	SCREW, HEX HD 1/4 - 20 X 7/16	13	4	F2A527018	CRANKSHAFT ASSEMBLY	13	18
F1445	SCREW, 1/4 - 14 X 3/8	17	8	F31160-1	REED	9	4
F1490	HEX NUT, 1/4 - 20	9	24	F318307	SEAL, DRIVESHAFT	19	12
				F318504	GROMMET, CHOKE	9	35

PARTS INDEX

Part Number	Description	Pg.	Ref. No.	Part Number	Description	Pg.	Ref. No.
F36634	SCREW, CONNECTING ROD	13	17	F521708	CARBURETOR COVER	9	28
F390563	PIN, PUMP DRIVE	19	10	F521783	SEAL	19	11
F424161	REED STOP	9	3	F521811	FITTING, GAS TANK	3	5
F427249	RETAINING RING	3	3	F521894	DECAL "OFF"	9	13
F433209-1	STUD, CARBURETOR, SEE PAGE 8, ILLUS. 28	9	7	F521906	GASKET, CARBURETOR	9	9
F459137	GRIP	7	16	F521906	GASKET, CARBURETOR	15	-
F468037-1	PIVOT BOLT	17	17	F521910	BEARING, CRANKSHAFT LOWER	15	38
F468169	BEARING, SWIVEL BRACKET	17	28	F525457	SCREW, 1/4 - 20 X 5/8	19	14
F468300	SPRING, REVERSE LOCK	17	19	F535097	FLYWHEEL	7	2
F468349	REVERSE LOCK	17	20	F596	CHRYSLER OUTBOARD OIL	27	-
F468350	PIN, REVERSE LOCK	17	22	F597	CHRYSLER OUTBOARD GEAR LUBE	27	-
F46899-1	COVER, SHIFT COUPLING	17	5	F5H025	ANTI CORROSION SACRIFICIAL ANODE	27	-
F50109	PLUG, GEAR HOUSING	19	30	F5H027	6 GALLON FUEL TANK	27	-
F521002	CAM	7	4	F5H059	CHRYSLER OUTBOARD MULTI-PURPOSE GREASE	27	-
F521013	BEARING, CRANKSHAFT, UPPER	13	19	F5H060	CHRYSLER OUTBOARD GREASE GUN	27	-
F521015	PISTON	13	11	F5H091	BATTERY CHARGING SYSTEM	27	-
F521034-1	FUEL TANK	3	9	F5H134	BOAT WHITE LACQUER	27	-
F521061-6	CARBURETOR - COMPLETE	11	39	F5H164	A-C LIGHTING COIL KIT	27	-
F521063-2	STARTER - COMPLETE	5	-	F601006	STUD	19	2
F521065	IMPELLER	19	5	F601023	GEAR, BEVEL	19	24
F521065	IMPELLER, WATER PUMP	21	-	F601078	BRACKET, STEERING HANDLE STOP	13	27
F521118-1	SEAL, CRANKSHAFT, LOWER	13	16	F601079	HANDLE, STEERING	13	22
F521128	DRIVESHAFT	19	1	F601081	THROTTLE LEVER	7	15
F521146	SEAL, CRANKSHAFT, UPPER	13	20	F601098	SHAFT, PROPELLER	19	22
F521168	GASKET, CARBURETOR ADAPTER	9	1	F601248	DECAL (CHOKE)	9	25
F521168	GASKET, CARBURETOR ADAPTER	13	-	F601489	VALVE, FUEL SHUT-OFF	9	12
F521192	THROTTLE CAM	7	18	F601647	HANDLE	13	35
F521244-1	WATER LINE STANDARD LEG	17	30	F66480	STUD	17	11
F521251-3	GAS CAP COMPLETE (NOT SHOWN)	3	1	F7023	NUT, LOCK 1/4 - 20	13	26
F521261	LINE, WATER OUTLET	17	7	F7026	STOP NUT 3/8 - 16	17	14
F521266	GEAR, BEVEL PINION	19	23	F8028	WASHER, PLAIN	13	1
F521270	SINGER	15	37	F8060	EXTERNAL TOOTH LOCKWASHER, SEE PAGE 8, ILLUS. 35	11	40
F521279	GASKET, CYLINDER EXHAUST	13	14	F8061	INTERNAL TOOTH LOCKWASHER	3	10
F521279	GASKET, CYLINDER, EXHAUST	15	-	F8074	WASHER	19	32
F521296	RETAINER, PROPELLER SHAFT BEARING CAGE	19	15	F8077	WASHER	19	31
F521305	SEAL, O-RING	19	16	F8078	LOCKWASHER, INTERNAL TOOTH	9	27
F521307	SEAL, PROPELLER SHAFT	19	17	F8083	LOCKWASHER	19	9
F521342-1	SEAL, WATER LINE	17	31	F8083	SPRING LOCKWASHER	17	26
F521498	KEY, FLYWHEEL	7	3	F8537	SPRING PIN	17	13
F521518	HEAD, CYLINDER	13	5	F8551	SPRING PIN 5/32 X 13/16	21	37
F521529	GASKET, CYLINDER HEAD	13	6	F8559	PIN, DOWEL	13	31
F521529	GASKET, CYLINDER HEAD	15	-	F901938-1	SCREW, CYLINDER HEAD	13	2
F521537	PLATE, PUMP, TOP	21	-	F90807	RETAINER, CHOKE	9	36
F521537	PLATE, WATER PUMP	19	4	FA28073-1	CLAMP SCREW	17	12
F521552	SCREW, FLYWHEEL	7	1	FA324101	PIN, PROPELLER (PACK OF 3)	19	29
F521579	SEAL, SPLINE, CRANKSHAFT	13	15	FA341151	PLATE, EXHAUST	17	2
F521661-1	PAD, SWIVEL FRICTION	17	25	FA341298	CAGE, BEARING W/BEARING ILLUS. 17	19	18

PARTS INDEX

Part Number	Description	Pg.	Ref. No.	Part Number	Description	Pg.	Ref. No.
FA394396	DECAL, ENGINE TANK, ST'BD	3	8	FT8998	KNOCK-OFF SCREW	22	-
FA394397	DECAL, ENGINE TANK PORT	3	-	11-817752A1	NUT, PROPELLER	19	27
FA468346	SHOCK MOUNT	17	29	33-82370M	SPARK PLUG (L-86)	13	3
FA521735	SEAL, WATERLINE	19	-	39-818038A1	RING SET, PISTON (2 RINGS)	13	8
FA521735	SEAL, WATERLINE	19	6	1600-817915A1	GEAR HOUSING ASSEMBLY COMPLETE.	19	-
FA601010	CYLINDER ASSEMBLY W/CRANKCASE COVER, ILLUS. 30, 31, AND 32	13	7				
FA601060	BODY, WATER PUMP	19	-				
FA601060	BODY, WATER PUMP	19	7				
FA601532	STERN BRACKET	17	16				
FA601572	SWIVEL BRACKET - STARBOARD	17	24				
FA901753	HOSE	3	7				
FC521010	SHORT BLOCK (NOT SHOWN)	13	-				
FG1022	GASKET SET.	13	36				
FK1057	GEAR HOUSING SEAL KIT.	21	36				
FK1058	TUNE-UP KIT.	7	20				
FK1118	WATER PUMP KIT.	19	35				
FK1120	LONG LEG CONVERSION KIT	27	-				
FK1123	SPARKIE KIT	7	12				
FK12357	CONDENSER W/CLAMP	7	6				
FK12369	COIL W/LEAD WIRE AND ILLUS. 10	7	11				
FK601133	MOTOR LEG	17	3				
FP332	PROPELLER	19	26				
FT1749	SNAP RING PLIERS	23	-				
FT2915	SEAL INSTALLER	24	-				
FT2961	LUBRICANT - RYKON GREASE #2EP	26	-				
FT2962-1	SEALANT - LOCTITE H, NON-HARDENING	26	-				
FT2963-2	SEALANT - LOCTITE D, HARDENING GRADE	26	-				
FT2987-1	LUBRICANT - ANTI-SEIZE	26	-				
FT2989	FLYWHEEL WEDGE	22	-				
FT2990	PISTON PIN TOOL	23	-				
FT2991	CARBON BRUSH	23	-				
FT2993	SPANNER WRENCH	22	-				
FT2997	RING COMPRESSOR	23	-				
FT2998	TORQUE WRENCH	22	-				
FT2999	TORQUE WRENCH	23	-				
FT8900	HOSE CLAMP PLIERS	23	-				
FT8919	PIN PUNCH	23	-				
FT8926	RING EXPANDER	23	-				
FT8929	CONNECTING ROD TOOL	23	-				
FT8930-1	FEELER GAUGE	22	-				
FT8935	SEALANT PRIMER - GRADE T	26	-				
FT8936-1	SEALANT - LOCTITE RETAINING COMPOUND #75	26	-				
FT8948-1	PULLER	24	-				
FT8950	LEAKAGE TESTER	25	-				
FT8957	SEAL INSTALLER	24	-				
FT8969	LUBRICANT - LPSI	26	-				
FT8983	SEALANT - RTV	26	-				