



# PARTS CATALOG

## 4 HP

### SERIAL NUMBER

4 (1982) .....	.42B2J
4 (1982) .....	.42H2J

# TABLE OF CONTENTS:

ACCESSORIES .....	29
CARBURETOR & REED PLATE .....	8
ENGINE COVER AND FUEL TANK .....	2
GEAR HOUSING .....	20
MAGNETO .....	6
MOTOR LEG .....	16
PARTS INDEX .....	30
POWER HEAD & SUPPORT PLATE .....	12
SPECIAL TOOLS - LOWER UNIT .....	26
SPECIAL TOOLS - LUBRICANTS AND SEALANTS .....	28
SPECIAL TOOLS - POWER HEAD .....	25
SPECIAL TOOLS - TEST EQUIPMENT .....	27
SPECIAL TOOLS - TUNE-UP .....	24
STARTER .....	4

**NOTE:** Indented description indicate that these parts are included in preceeding assembly.

**AR** = As Required

**NSS** = Not Sold Separate

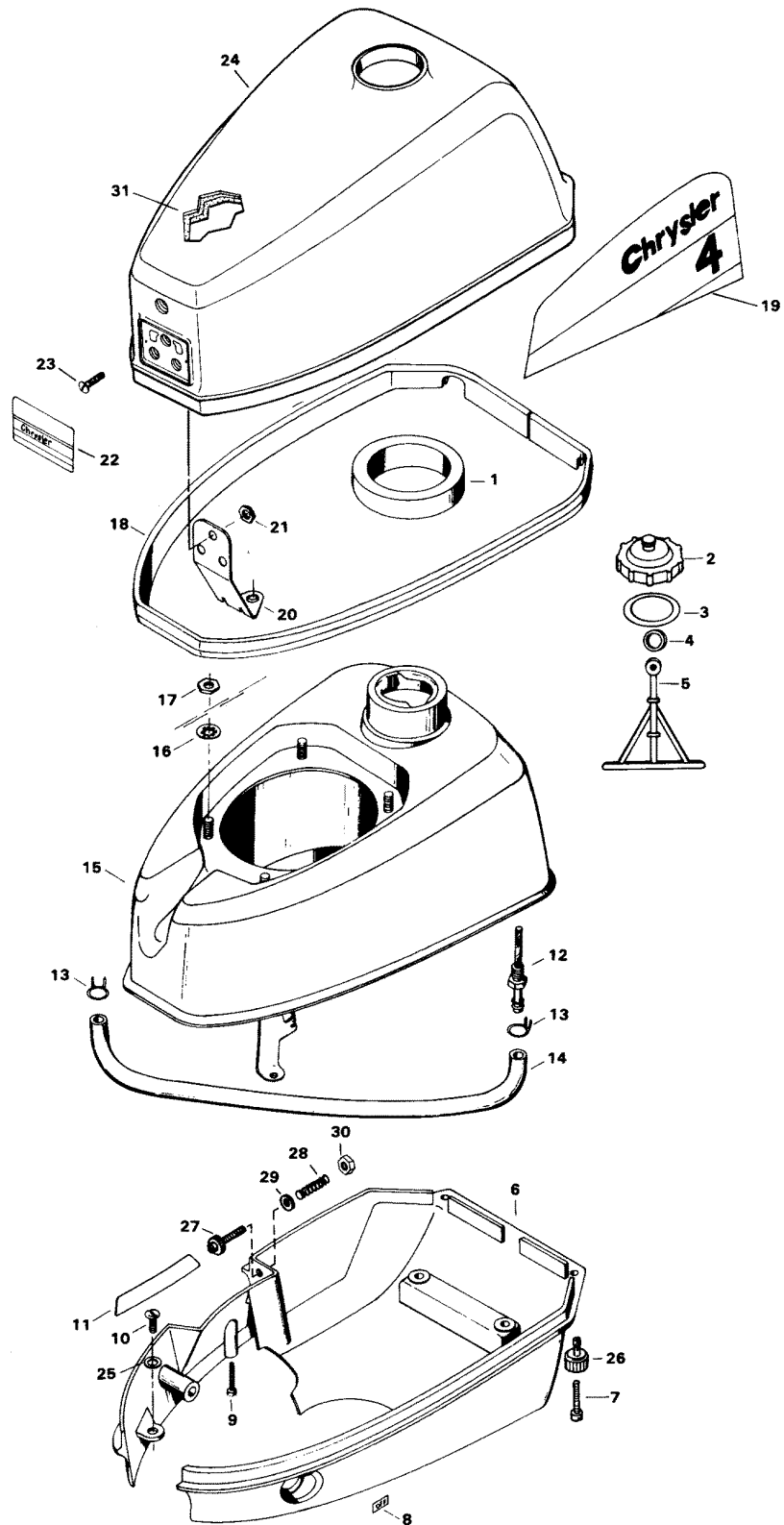
**OPT** = Optional

**NS** = Not Shown

**THESE PARTS BOOKS/FICHE CARD ARE COPYRIGHTED AND MAY NOT BE DISTRIBUTED OR REPRODUCED IN ANY OTHER FORMAT BY ANYONE OTHER THAN MERCURY MARINE WITHOUT THE PRIOR WRITTEN CONSENT OF MERCURY MARINE.**

THIS PAGE INTENTIONALLY LEFT BLANK

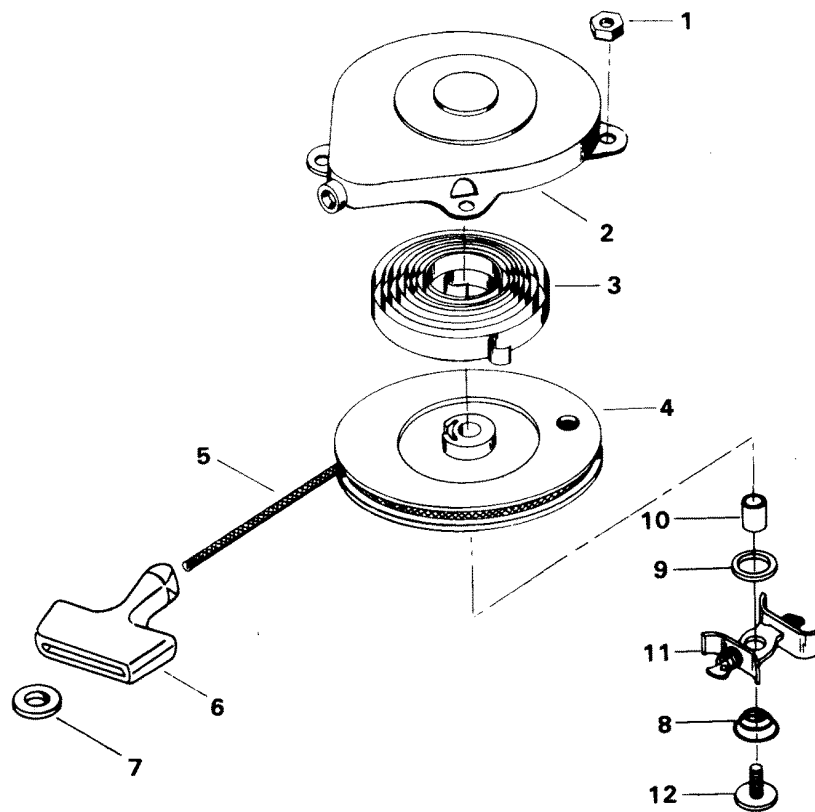
# ENGINE COVER AND FUEL TANK



# ENGINE COVER AND FUEL TANK

REF. NO.	PART NO.	SYM.	QTY.	DESCRIPTION
1	F459186		1	COLLAR, FUEL TANK
2	F521251-3		1	GAS CAP COMPLETE. <b>INCLUDES ILLUS. 3, 4, AND 5</b>
3	F17980		1	FUEL CAP GASKET
4	F427249		1	RETAINING RING
5	F17938		1	ANCHOR
6	F535944		1	ENGINE COVER, BOTTOM
7	F1995		2	SLOTTED FILL HD SCREW, 10 - 24 X 1
8	F521894		1	DECAL, "OFF" (USA)
-	<b>FC521894</b>		<b>1</b>	<b>DECAL, "OFF" (CANADA)</b>
9	F1829		1	FILL HD M. SCREW, 10 - 24 X 7/8
10	F1035		3	SLOTTED FILL HD SCREW, 1/4 - 20 X 5/8
11	F521391-1		1	DECAL, SPEED RANGE (USA)
-	<b>37-817908--3</b>		<b>1</b>	<b>DECAL, SPEED RANGE (CANADA)</b>
12	F521811		1	FITTING, GAS TANK
13	F2706772		2	HOSE CLAMP
14	FA901754		1	HOSE <b>W/ILLUS. 13</b>
15	F521034-1		1	FUEL TANK
16	F8061		4	INTERNAL TOOTH LOCKWASHER
18	FK525713		1	PACKING, TOP COVER TRIM <b>W/LITERATURE</b>
19	FA608397		1	DECAL, ENGINE COVER - PORT <b>W/LITERATURE</b>
-	<b>FA608396</b>		<b>1</b>	<b>DECAL, ENGINE COVER - STARBOARD W/LITERATURE</b>
20	FA521778		1	RETAINER, ENGINE COVER FRONT <b>W/ILLUS. 21 &amp; 23</b>
21	F7011		3	HEX NUT
22	FA608892		1	DECAL, ENGINE COVER - FRONT <b>W/LITERATURE</b>
23	F1979		3	PAN HD SCREW, 10 - 24 X 1/2
24	FS535712		1	ENGINE COVER TOP W/RETAINER & PACKING
-	<b>2C608712</b>		<b>1</b>	<b>ENGINE COVER COMPLETE. INCLUDES ALL ITEMS MARKED WITH AN ASTERISK (*)</b>
25	F8008		3	PLAIN WASHER
26	F521284		2	KNOB, ENGINE COVER RETAINER
27	F521690-1		1	SCREW, THROTTLE LEVER ADJUSTMENT
28	F521199		1	SPRING, THROTTLE LEVER ADJUSTMENT
29	F2042		1	PLAIN WASHER, #10 NARROW
30	F1473		1	HEX NUT
31	F521984		1	BLANKET, SILENCER TOP

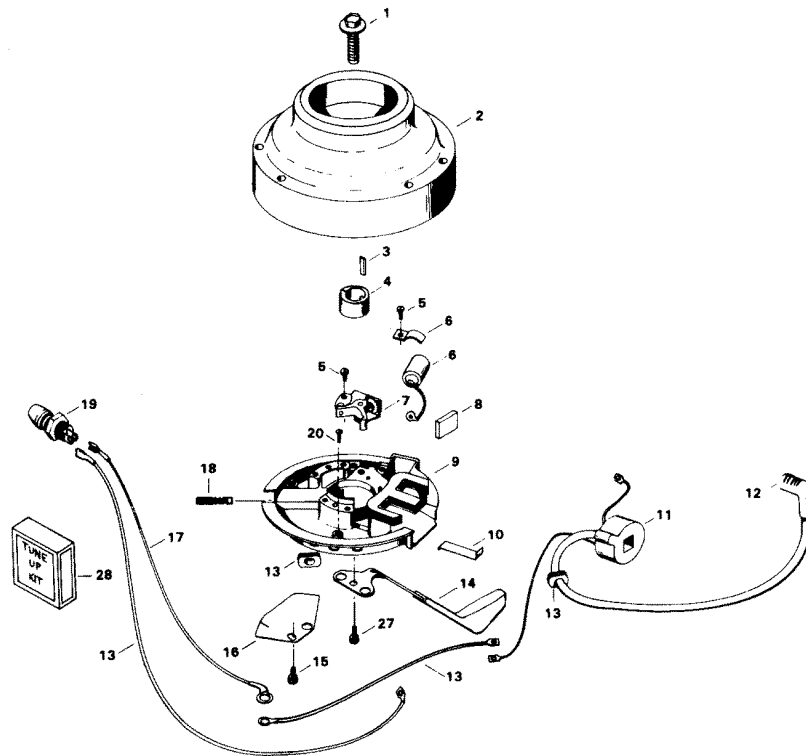
# STARTER



# STARTER

REF. NO.	PART NO.	SYM.	QTY.	DESCRIPTION
1	F1896		4	HEX NUT
2	F15601		1	COVER
3	F15570		1	SPRING, REWIND
4	F15591		1	ROTOR
5	F15582-1		1	STARTER ROPE
6	F286132		1	HANDLE, STARTER ROPE
7	F2042		1	PLAIN WASHER
8	F15596		1	SPRING
9	F15594		2	WASHER
10	F15602		1	NYLINER
11	F15595		1	FRICTION SHOE ASSEMBLY
12	F15597		1	SCREW
-	<b>F521063-2</b>		<b>1</b>	<b>STARTER - COMPLETE WILLUS. 2 THRU 5 AND 8 THRU 12</b>

# MAGNETO

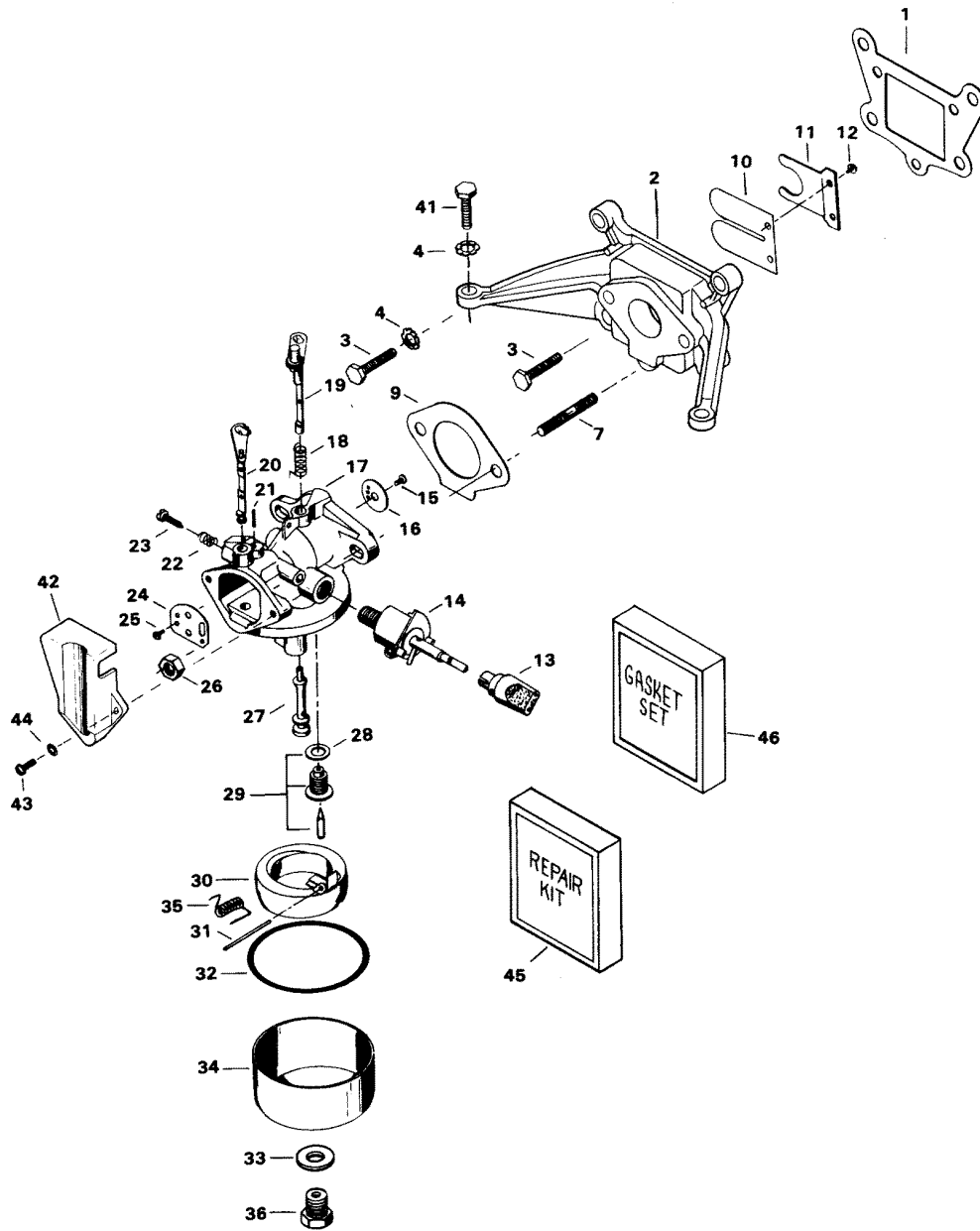




# MAGNETO

REF. NO.	PART NO.	SYM.	QTY.	DESCRIPTION
1	F521552		1	SCREW, FLYWHEEL
2	F535097		1	FLYWHEEL
3	F521498		1	KEY, FLYWHEEL
4	F521002		1	CAM
5	F12090		2	MOUNTING SCREW
6	FK12357		1	CONDENSER W/CLAMP
7	F12359		1	CONTACT SET
8	F12360		1	FELT CAM
9	F12362		1	STATOR PLATE W/CORE
10	F12350		1	WEDGE SPRING
11	FK12369		1	COIL W/LEAD WIRE AND WEDGE SPRING
12	FK1123		1	SPARKIE KIT
13	F12361		1	LEAD WIRE AND GROMMET PACKAGE
14	F521549-2		1	THROTTLE LEVER
15	F1655		1	HEX HD SCREW W/SPRING LOCKWASHER, 1/4 - 20 X 3/8
16	F521192		1	THROTTLE CAM
17	F521908		1	GROUND WIRE
18	F12066		1	FRICTION SCREW
19	F436449		1	SHORTING SWITCH
20	F1298		1	ROUND HD SCREW W/LOCKWASHER
27	F1734		1	SLOTTED FILL HD SCREW, 1/4 - 20 X 1/2
28	FK1058		1	TUNE UP KIT. <b>INCLUDES ITEMS MARKED WITH AN ASTERISK (*)</b>

# CARBURETOR & REED PLATE

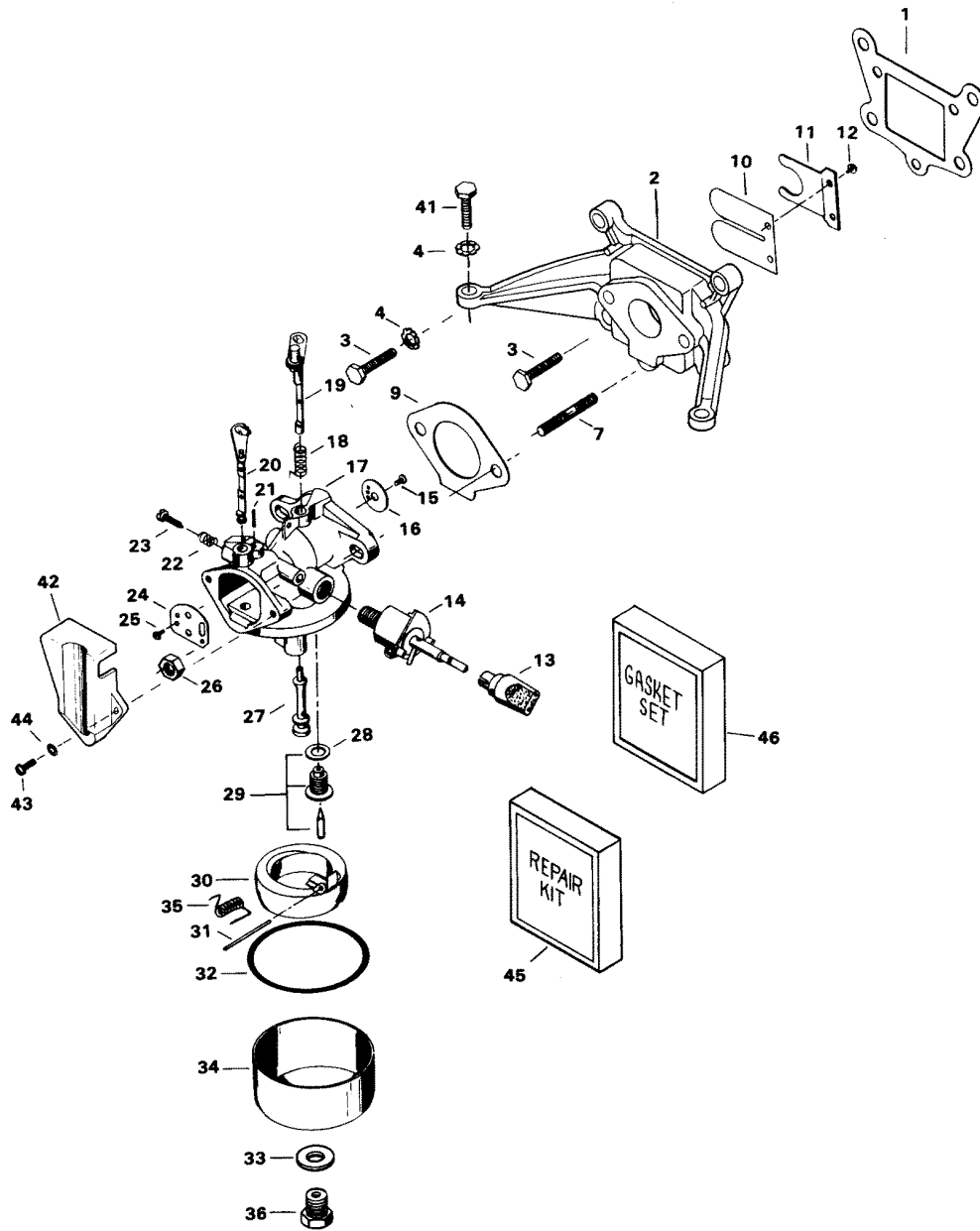


# CARBURETOR & REED PLATE

REF. NO.	PART NO.	SYM.	QTY.	DESCRIPTION
1	F521168		1	GASKET, CARBURETOR ADAPTER
2	F2A332167		1	CARBURETOR ADAPTER <b>W/ILLUS. 7, 10, 11 AND 12</b>
3	F1532		4	HEX CAP SCREW, 1/4 - 20 X 1
4	F8060		4	INTERNAL TOOTH LOCKWASHER
7	F433209-1		1	STUD, CARBURETOR
9	F521906		1	GASKET, CARBURETOR
10	F31160-1		1	REED
11	F424161		1	REED STOP
12	F1755		2	ROUND HD SCREW W/LOCKWASHER, 6 - 32 X 5/16
13	F521550		1	KNOB, FUEL SHUT-OFF
14	F521489		1	VALVE, FUEL SHUT-OFF
15	F10071		1	SCREW
16	F10060		1	THROTTLE
17	F521061-6		1	CARBURETOR - COMPLETE
18	F10075		1	SPRING, THROTTLE RETURN
19	F10059		1	THROTTLE SHAFT
20	F10061		1	CHOKE SHAFT
21	F10072		1	SPRING, CHOKE STOP
22	F10073		1	SPRING, IDLE ADJUSTMENT NEEDLE
23	F10077		1	NEEDLE, IDLE
24	F10062		1	CHOKE VALVE
25	F10070		2	SCREW, CHOKE VALVE
26	F1490		2	HEX NUT, 1/4 - 20
27	F10065		1	NOZZLE
28	F10066		1	GASKET, VALVE SEAT
29	F10100		1	VALVE, SEAT AND GASKET ASSEMBLY
30	F10063		1	FLOAT
31	F10064		1	FLOAT PIN
32	F10068		1	GASKET, FUEL BOWL
33	F10090		2	GASKET, BOWL RETAINER
34	F10058		2	FUEL BOWL
35	F10084		1	SPRING, FLOAT SUPPORT
36	F10096		1	JET ASSEMBLY (.039) STD. SEA LEVEL - 3000 FT.
-	<b>F10093</b>		-	<b>JET ASSEMBLY (.038) OPT. 3000 FT. - 5000 FT.</b>
-	<b>F10086</b>		-	<b>JET ASSEMBLY (.037) OPT. 5000 FT. - 7000 FT.</b>
-	<b>F10094</b>		-	<b>JET ASSEMBLY (.036) OPT. 7000 FT. AND UP OPTIONAL SIZE MAIN FUEL JETS (USE ONLY AT ALTITUDES INDICATED)</b>
41	F2008		2	HEX CAP SCREW, 1/4 - 20 X 7/8

CONTINUED ON NEXT PAGE ➡

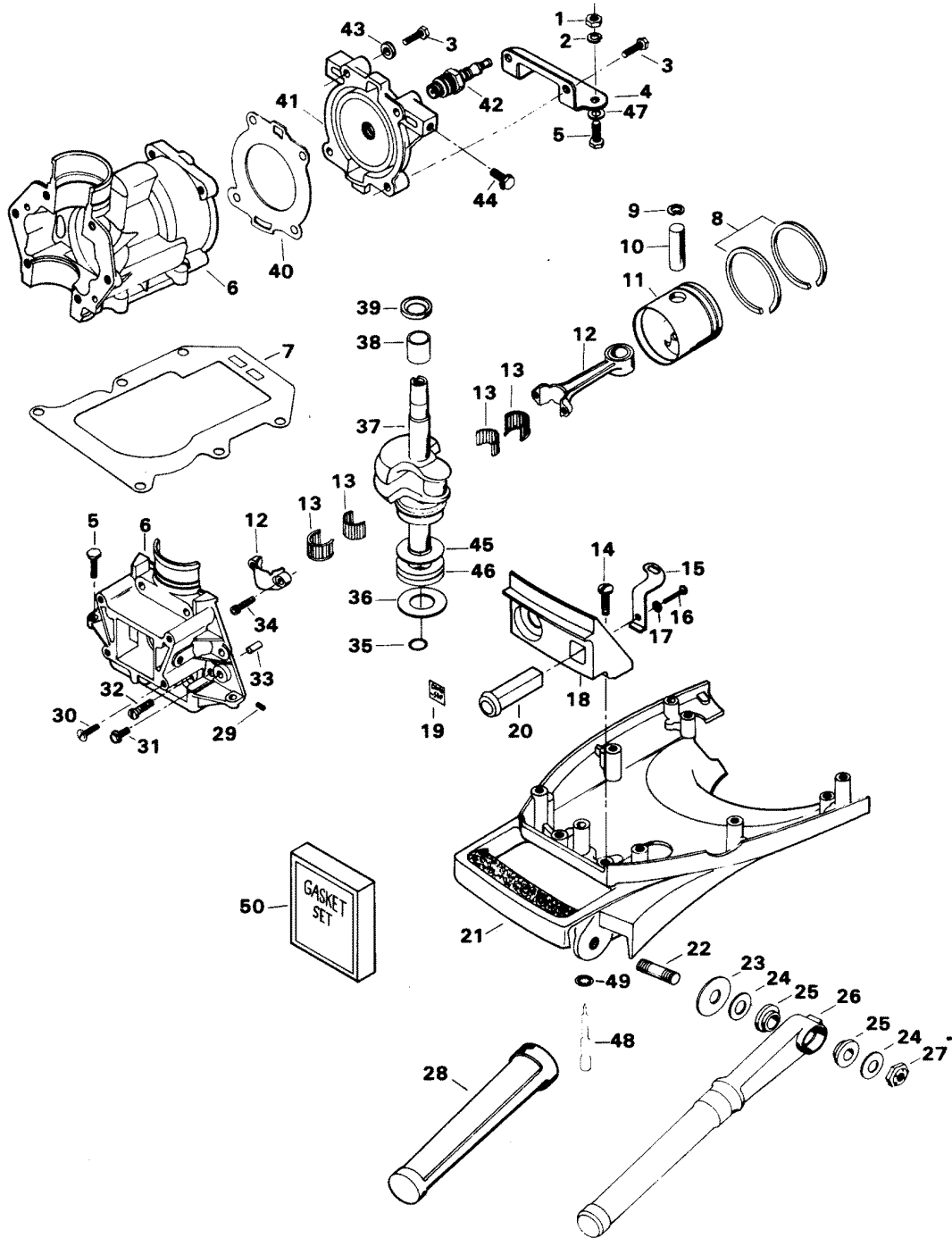
# CARBURETOR & REED PLATE



## CARBURETOR & REED PLATE

REF. NO.	PART NO.	SYM.	QTY.	DESCRIPTION
42	F521708		1	CARBURETOR COVER
43	F1064		2	FILL HD SCREW, 8 - 32 X 3/8
44	F8078		2	LOCKWASHER, INTERNAL TOOTH
45	F10098		1	REPAIR KIT. <b>INCLUDES ALL ITEMS MARKED WITH AN ASTERISK (*)</b>
46	F10069		1	GASKET SET. <b>INCLUDES ALL ITEMS MARKED WITH A DOUBLE ASTERISK (**)</b>

# POWER HEAD & SUPPORT PLATE

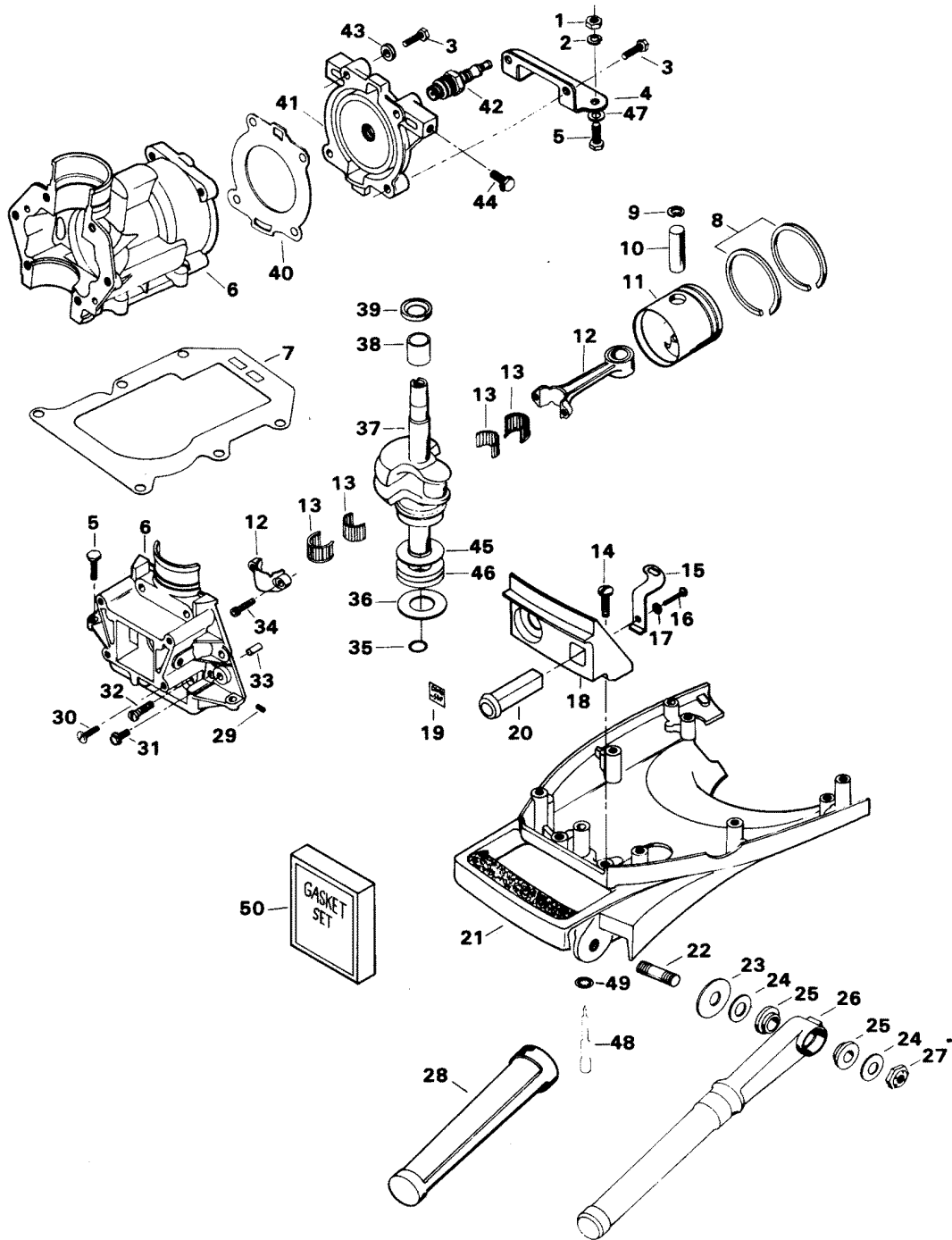


# POWER HEAD & SUPPORT PLATE

REF. NO.	PART NO.	SYM.	QTY.	DESCRIPTION
1	F1341		2	HEX NUT
2	F8083		2	SPRING LOCKWASHER
3	F901938-1		4	SCREW, CYLINDER HEAD
4	F521774		1	BRACKET, ENGINE COVER LOWER MOUNTING
5	F1705		4	HEX HD CAP SCREW, 1/4 - 20 X 3/4
6	F2A521010		1	CYLINDER W/CRANKCASE COVER AND ILLUS. 30 AND 33
-	<b>FC521010</b>		<b>1</b>	<b>SHORT BLOCK INCLUDES ALL ITEMS MARKED WITH AN ASTERISK (*)</b>
7	F521279		1	GASKET, CYLINDER EXHAUST
8	39-818038A1		1	PISTON RING SET (2 RINGS)
9	F250410		2	PISTON PIN RETAINING RING
10	F250017		1	PISTON PIN
11	F521015		1	PISTON
12	F2A521016		1	CONNECTING ROD W/BEARING AND ILLUS. 34
13	F2A237228		1	CRANKPIN ROLLER & CAGE SET
14	F1493		2	PAN HD SCREW, 1/4 - 20 X 5/8
15	F521925		1	LINK, CHOKE KNOB
16	F2041		1	HEX HD M. SCREW, 10 - 24 X 3/8
17	F1975		1	SPRING LOCKWASHER
18	F535163		1	COVER, SUPPORT PLATE
19	F521248		1	DECAL, CHOKE (USA)
-	<b>FC521248</b>		<b>1</b>	<b>DECAL, CHOKE (CANADA)</b>
20	F521547		1	CHOKE KNOB
21	F270038		1	SUPPORT PLATE
22	F521004		1	STUD
23	F286286-1		1	WASHER, NYLON
24	F8015		2	PLAIN WASHER
25	F521319		2	BUSHING, STEERING HANDLE
26	F521079		1	STEERING HANDLE
27	F1756		1	STOP NUT
28	F390137		1	GRIP, STEERING HANDLE
29	F1789		1	PIPE PLUG
30	F1107		2	FILL HD M. SCREW, 1/4 - 20 X 3/4
31	F2040		1	HEX WASHER HD TAPTITE SCREW, 1/4 - 20 X 5/8
32	F1099		4	SLOTTED FILL HD SCREW, 1/4 - 20 X 1 1/4
33	F8559		2	DOWEL PIN
34	F36634		2	SCREW, CONNECTING ROD
35	F521579		1	SEAL, CRANKSHAFT SPLINE
36	F521118-1		1	SEAL, CRANKSHAFT LOWER
37	F2A527018		1	CRANKSHAFT <b>W/ILLUS. 45 AND 46</b>
38	F521013		1	BEARING, CRANKSHAFT UPPER
39	F521146		1	SEAL, CRANKSHAFT UPPER
40	F521529		1	GASKET, CYLINDER HEAD

CONTINUED ON NEXT PAGE ➡

# POWER HEAD & SUPPORT PLATE

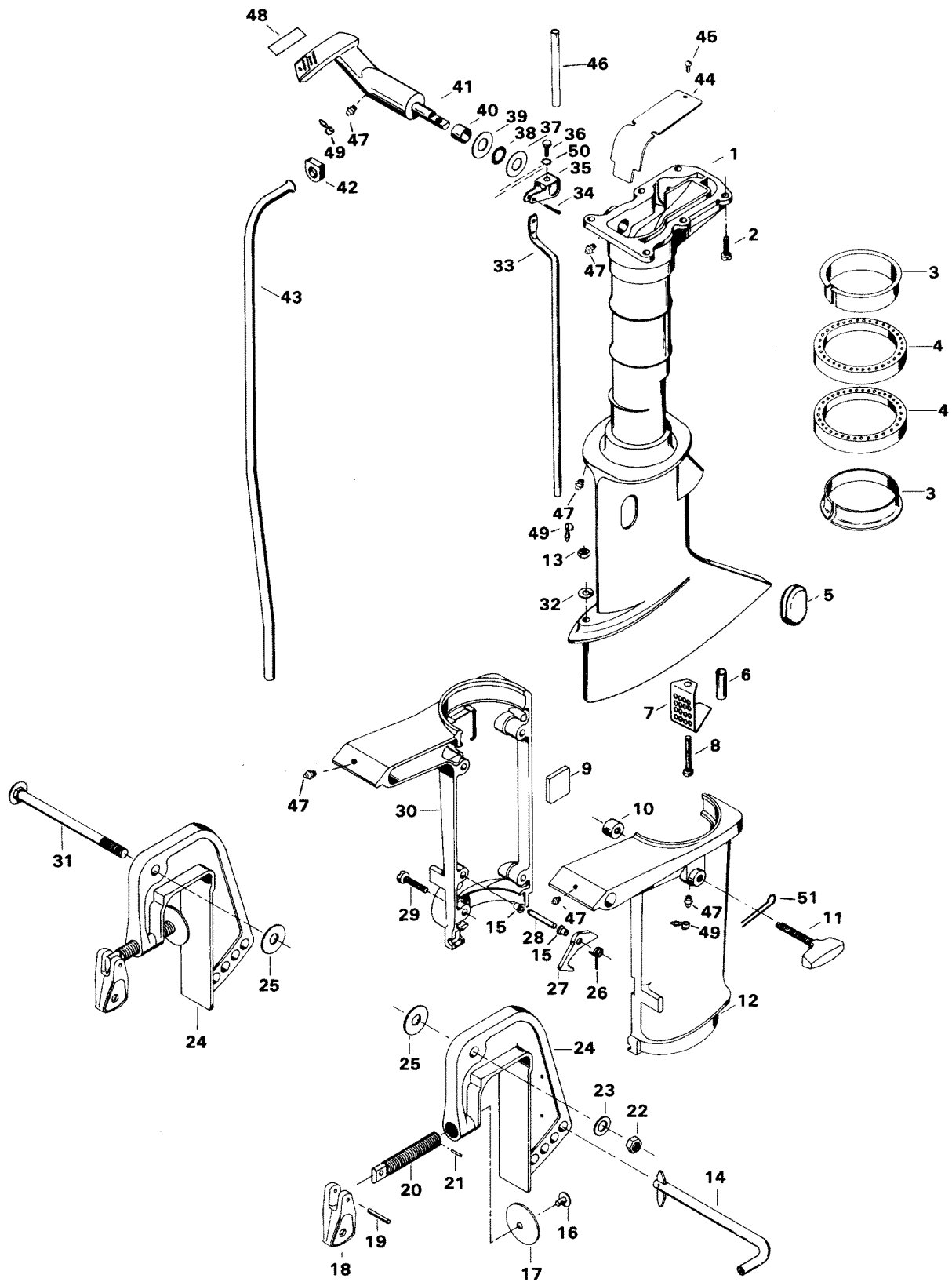




## POWER HEAD & SUPPORT PLATE

REF. NO.	PART NO.	SYM.	QTY.	DESCRIPTION
41	F521518		1	CYLINDER HEAD
42	33-82370M		1	SPARK PLUG (L-86)
-	<b>C247227-1</b>		<b>1</b>	<b>SPARK PLUG (RL-86) CANADA ONLY</b>
43	F8028		2	PLAIN WASHER
44	F1426		2	HEX HD SCREW W/LOCKWASHER, 1/4 - 20 X 7/16
45	F521270		1	SLINGER
46	F521910		1	BEARING, CRANKSHAFT LOWER
47	F8008		2	PLAIN WASHER
48	F341284-1		1	KNOB, ENGINE COVER RETAINER
49	F9102		1	RETAINING RING
50	FG1022		1	GASKET SET. INCLUDES ITEMS LISTED BELOW
-	<b>F521168</b>		<b>1</b>	<b>CARBURETOR ADAPTER GASKET</b>
-	<b>F521279</b>		<b>1</b>	<b>CYLINDER EXHAUST GASKET</b>
-	<b>F521529</b>		<b>1</b>	<b>CYLINDER HEAD GASKET</b>
-	<b>F521906</b>		<b>1</b>	<b>CARBURETOR GASKET</b>

# MOTOR LEG

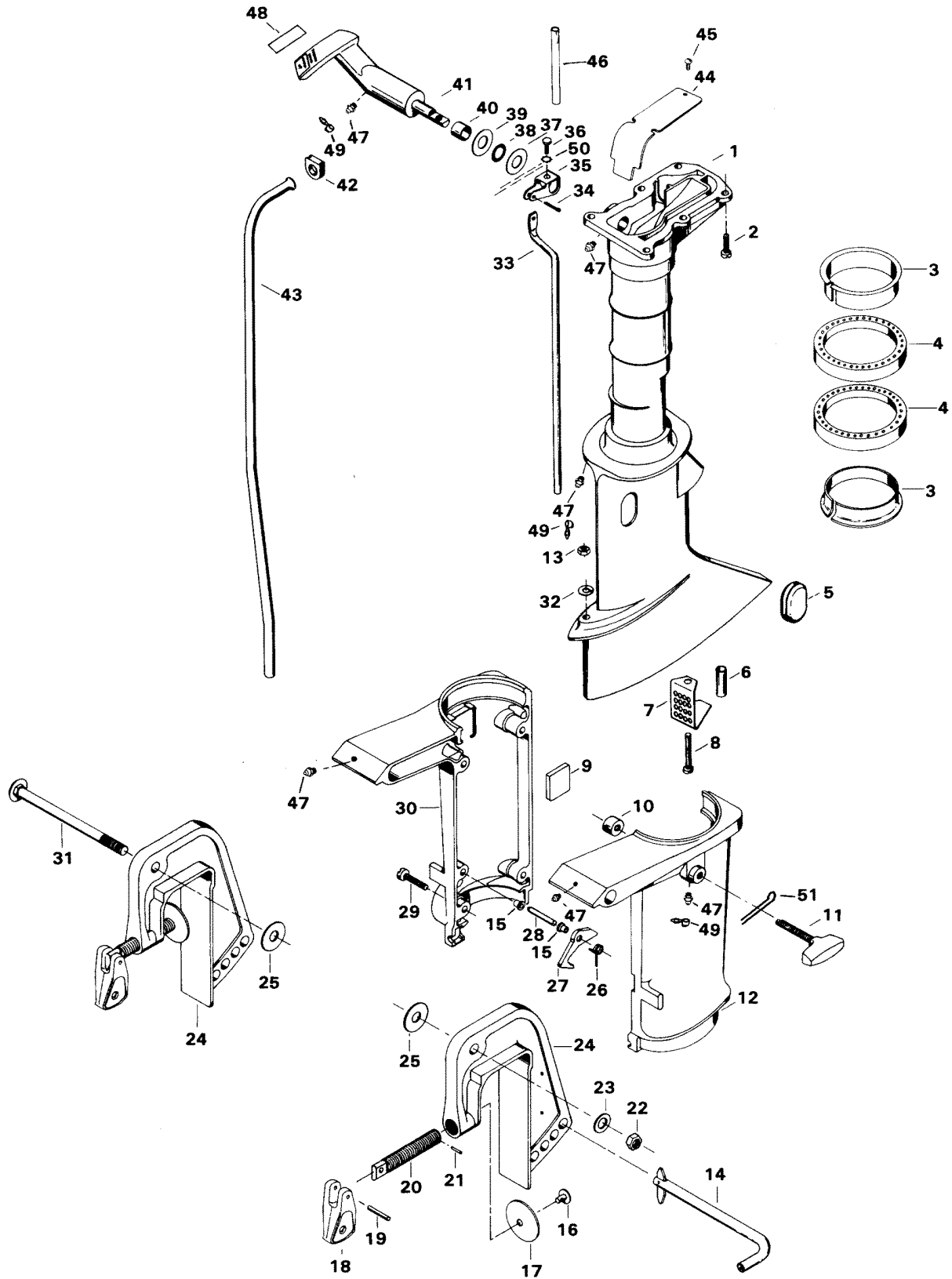


# MOTOR LEG

REF. NO.	PART NO.	SYM.	QTY.	DESCRIPTION
1	1500-817940A6		1	MOTOR LEG W/ITEMS 40, 44, 45, 46 AND 47 ORIGINAL FORCE P/N K341133-2
2	F1922		6	HEX HD SCREW, 1/4 - 20 X 5/8
3	F468169		2	BEARING, SWIVEL BRACKET
4	FA468346		2	SHOCK MOUNT W/LITERATURE
5	F46899-1		1	COVER, SHIFT COUPLING
6	F521727		1	SLEEVE, IDLE BAFFLE
7	F521779		1	BAFFLE, IDLE RELIEF
8	F1747		1	FILL HD SCREW, 10 - 24 X 1-11/16
9	F521661-1		1	PAD, SWIVEL FRICTION
10	F521631		1	SHOE, SWIVEL FRICTION
11	F521514		1	KNOB, STEERING FRICTION W/SCREW
12	817815A4		1	SWIVEL BRACKET - PORT W/ILLUS. 15 & 47 ORIGINAL FORCE P/N A521072-3
13	F1341		1	HEX NUT
14	817810A1		1	LOCK BAR ASSEMBLY
15	F197813		2	BEARING
16	F66480		2	STUD
17	F24074		2	CLAMP SCREW FOOT
18	F298075		2	HANDLE, CLAMP SCREW
19	F8554		2	SPRING PIN
20	817761A2		2	CLAMP SCREW W/ILLUS. 16, 17 AND 21 ORIGINAL FORCE P/N A298073-2
21	F8537		2	SPRING PIN
22	F7026		1	STOP NUT
23	F2014		1	PLAIN WASHER
24	1400-817850A4		2	STERN BRACKET W/ILLUS. 20 ORIGINAL FORCE P/N A521532-3
25	F2037		2	PLAIN WASHER
26	F468300		1	SPRING, REVERSE LOCK
27	F468349		1	REVERSE LOCK
28	F468350		1	PIN, REVERSE LOCK
29	F2035		4	PHILLIPS FILL HD SCREW, 1/4 - 20 X 1
30	817816A6		1	SWIVEL BRACKET - STARBOARD W/ILLUS. 9 AND 47 ORIGINAL FORCE P/N A468572-3
31	F468037-1		1	PIVOT BOLT
32	F8083		1	SPRING LOCKWASHER
33	F521615		1	ROD, GEAR SHIFT UPPER
34	F1406		1	COTTER PIN
35	F521621		1	LEVER, GEAR SHIFT
36	F2041		1	HEX M. SCREW, 10 - 24 X 3/8
37	F2014		1	PLAIN WASHER
38	F19342		1	SEAL, SHIFT LEVER SHAFT
39	F521415		1	WASHER, GEAR SHIFT HANDLE

CONTINUED ON NEXT PAGE ➡

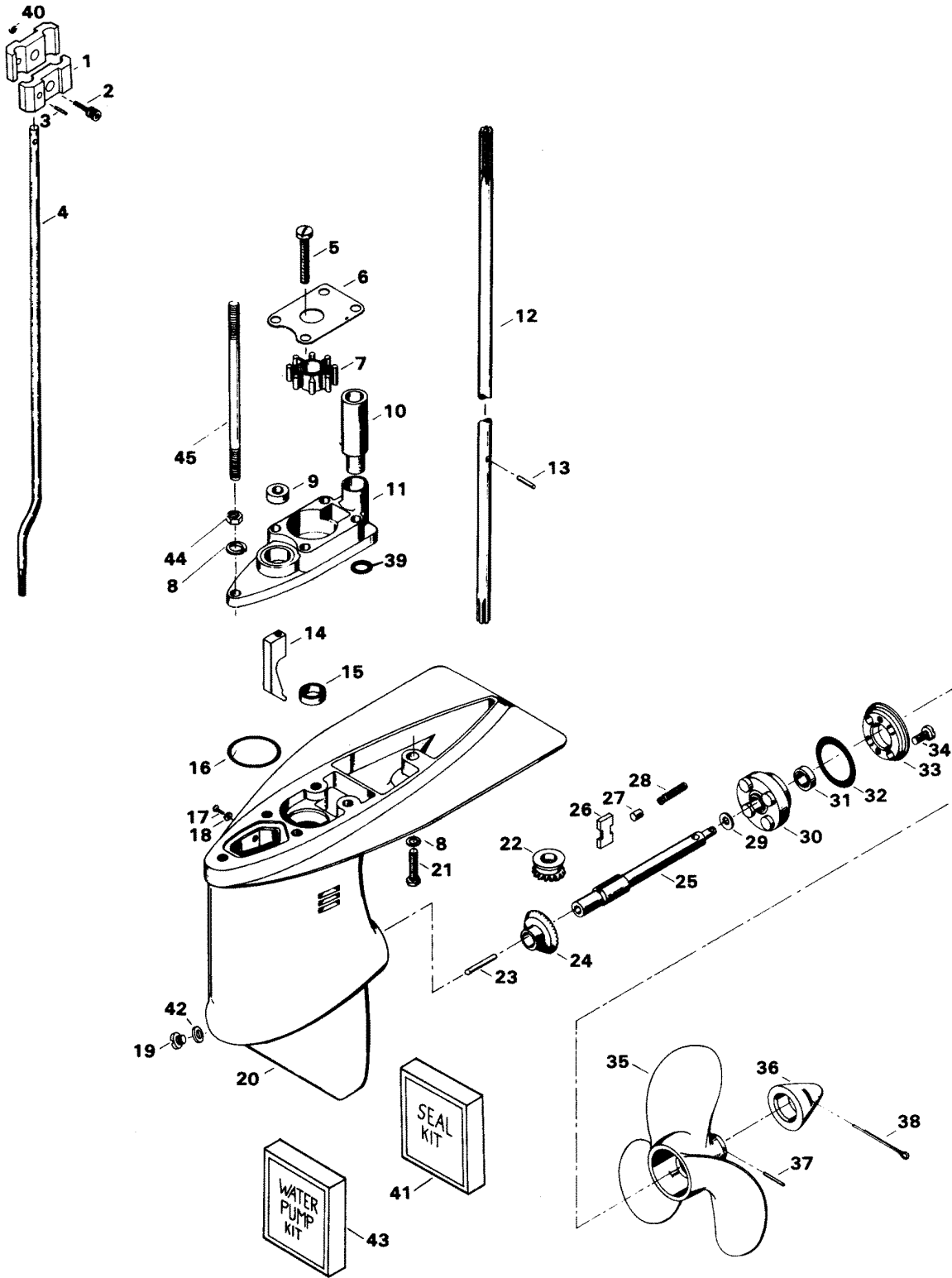
# MOTOR LEG



# MOTOR LEG

REF. NO.	PART NO.	SYM.	QTY.	DESCRIPTION
40	F341610		1	BEARING, GEAR SHIFT SHAFT
41	820433T		1	HANDLE, GEAR SHIFT W/SHAFT
42	F521342-1		1	SEAL, WATER LINE
43	F521244-1		1	WATER LINE STANDARD LEG
44	FA341151		1	PLATE, EXHAUST <b>W/ILLUS. 45</b>
45	F1645		3	RD HD THD. CUTTING, 6 - 32 X 1/4
46	F521261		1	LINE, WATER OUTLET
47	F213274		6	FITTING, GREASE
48	FC521400		1	DECAL, GEAR SHIFT HANDLE (CANADA)
49	F521569		3	CAP, GREASE FITTING
50	F1975		1	LOCKWASHER, #10
51	F1014		1	COTTER PIN

# GEAR HOUSING

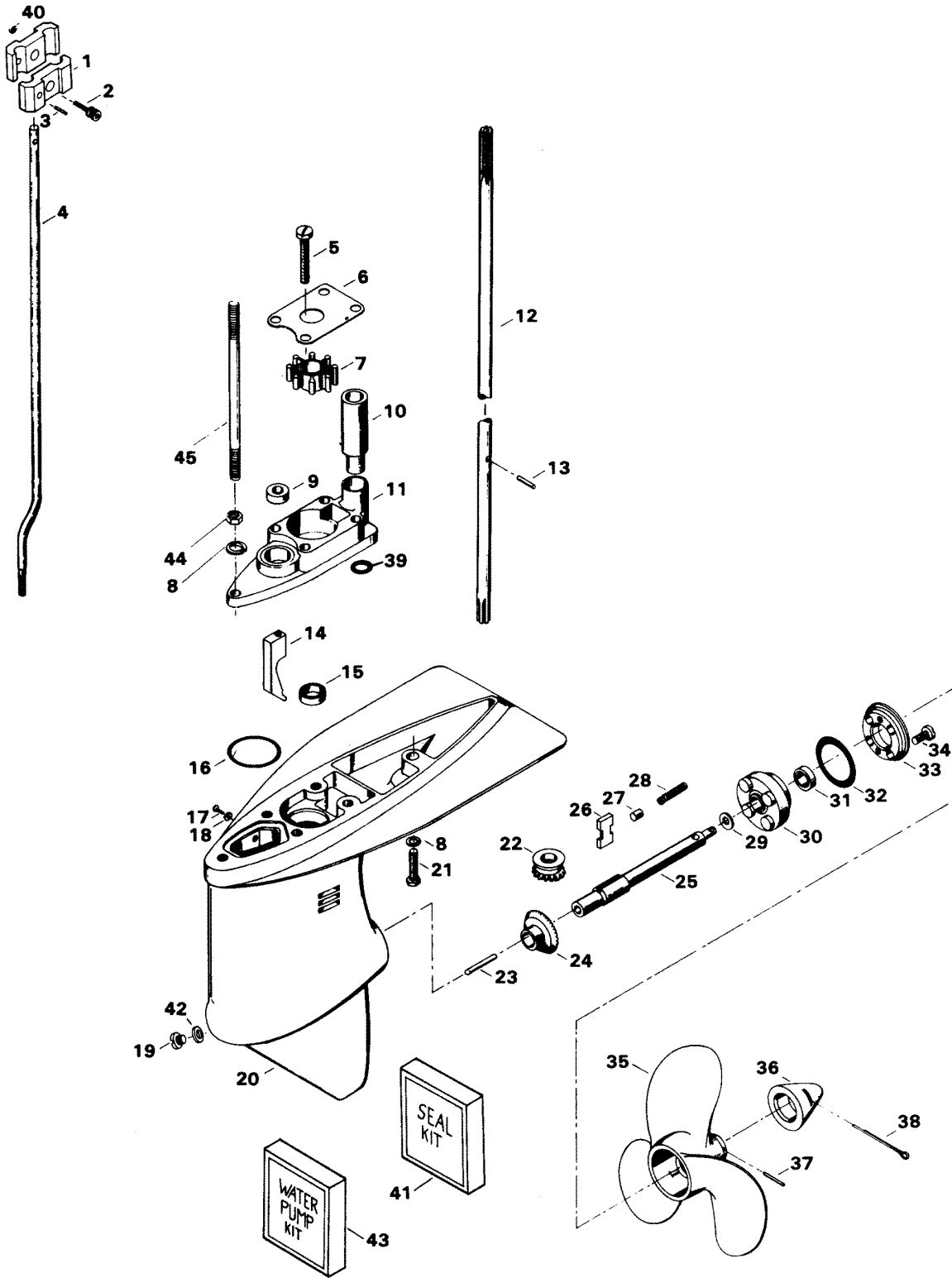


# GEAR HOUSING

REF. NO.	PART NO.	SYM.	QTY.	DESCRIPTION
1	F341704		2	COUPLING, GEAR SHIFT ROD
2	F1371		1	SOCKET HD SCREW W/LOCKWASHER, 10 - 24 X 5/8
3	F8538		1	SPRING PIN
4	F521705		1	ROD, GEAR SHIFT LOWER
5	F1504		4	FILL HD SCREW, 1/4 - 20 X 1 1/4
6	F521537		1	PLATE, WATER PUMP
7	F521065		1	IMPELLER
8	F8083		2	SPRING LOCKWASHER
9	F338618-1		1	SEAL, SHIFT ROD
10	FA521735		1	SEAL, WATERLINE <b>W/LITERATURE</b>
11	FA735060		1	WATER PUMP BODY W/PLUG ILLUS. 39 ORIGINAL FORCE P/N <b>A521060-2</b>
12	F521128		1	DRIVESHAFT - STANDARD LEG
13	F390563		1	PIN, WATER PUMP IMPELLER DRIVE
14	F521721		1	CAM, CLUTCH SHIFT
15	F318307		1	SEAL, DRIVESHAFT
16	F521783		1	SEAL
17	F1077		1	FILL HD SCREW, 10 - 24 X 1/4
18	F8074		1	WASHER
19	F50109		1	PLUG, GEAR HOUSING
20	F2A521054		1	GEAR HOUSING <b>W/ILLUS. 15, 17, 18 AND 19</b>
-	<b>FC341054</b>		1	<b>GEAR HOUSING COMPLETE. INCLUDES ALL ITEMS MARKED WITH AN ASTERISK (*)</b>
21	F1199		1	HEX CAP SCREW, 1/4 - 20 X 1
22	F521266		1	BEVEL PINION GEAR
23	F521728		1	CLUTCH SHIFT PIN
24	FA521023		1	BEVEL GEAR W/BEARING
25	FA409098		1	PROPELLER SHAFT <b>W/ILLUS. 28 &amp; LITERATURE</b>
26	F409521		1	CLUTCH
27	F318372		1	PIN, CLUTCH GUIDE
28	F409719		1	CLUTCH SPRING
29	F521099		1	SPACER
30	FA341298		1	BEARING CAGE W/BEARING AND ILLUS. 31
31	F521307		1	SEAL, PROPELLER SHAFT
32	F521305		1	SEAL, "O" RING
33	F521296		1	RETAINER, PROPELLER SHAFT BEARING CAGE
34	F525457		4	FILL HD SCREW, 1/4 - 20 X 5/8
35	FP332		1	PROPELLER
36	FA324101		1	PROPELLER PIN, PACK OF 3
37	11-817752A1		1	PROPELLER NUT <b>W/ILLUS. 38 ORIGINAL FORCE P/N A286094-1</b>
38	F1846		1	COTTER PIN
39	F521246-1		1	PLUG, WATER PUMP
40	F7009		1	LOCK NUT, 10 - 24

CONTINUED ON NEXT PAGE ➡

# GEAR HOUSING





# GEAR HOUSING

REF. NO.	PART NO.	SYM.	QTY.	DESCRIPTION
41	FK1057		1	GEAR HOUSING SEAL KIT. INCLUDES ALL ITEMS MARKED WITH A DOUBLE ASTERISK (**)
42	F8077		1	WASHER
43	FK1072		1	WATER PUMP KIT. INCLUDES ITEMS LISTED BELOW
-	<b>FA521735</b>		<b>1</b>	<b>WATERLINE SEAL</b>
-	<b>FA735060</b>		<b>1</b>	<b>BODY, WATER PUMP</b>
-	<b>F521537</b>		<b>1</b>	<b>PLATE, WATER PUMP TOP</b>
-	<b>F521065</b>		<b>1</b>	<b>IMPELLER, WATER PUMP</b>
-	<b>F338618-1</b>		<b>1</b>	<b>SEAL</b>
-	<b>F1504</b>		<b>4</b>	<b>FILL H.M.S. 1/4-20 X 1-1/4</b>
44	F1341		1	HEX NUT
45	F601006		1	STUD

## SPECIAL TOOLS - TUNE-UP

REF. NO.	PART NO.	SYM.	QTY.	DESCRIPTION
-	FT8930-1		0	FEELER GAUGE TO SET BREAKER POINT GAP
-	FT8998		0	KNOCK-OFF SCREW TO REMOVE FLYWHEEL
-	FT2989		0	FLYWHEEL WEDGE TO REMOVE FLYWHEEL
-	FT2993		0	SPANNER WRENCH TO HOLD FLYWHEEL WHEN REMOVING FLYWHEEL SCREW
-	FT2998		0	TORQUE WRENCH TO TORQUE FLYWHEEL SCREW

## SPECIAL TOOLS - POWER HEAD

REF. NO.	PART NO.	SYM.	QTY.	DESCRIPTION
-	FT8919		0	PIN PUNCH TO REMOVE CYLINDER CRANKCASE COVER LOCATING PINS
-	FT8929		0	CONNECTING ROD TOOL TO REMOVE CONNECTING ROD SCREWS
-	FT8926		0	RING EXPANDER TO REMOVE AND INSTALL PISTON RINGS
-	FT1749		0	SNAP RING PLIERS TO REMOVE AND INSTALL PISTON PIN RETAINING RINGS
-	FT2997		0	RING COMPRESSOR INSTALL PISTON AND RINGS IN CYLINDER
-	FT2999		0	TORQUE WRENCH TO PROPERLY TIGHTEN FASTENERS
-	FT2991		0	CARBON BRUSH TO REMOVE CARBON BUILD-UP FROM PISTON AND CYLINDER HEAD
-	FT8900		0	HOSE CLAMP PLIERS TO REMOVE CLAMPS FROM FUEL LINES
-	FT2990		0	PISTON PIN TOOL TO INSTALL PISTON PIN INTO PISTON

## SPECIAL TOOLS - LOWER UNIT

REF. NO.	PART NO.	SYM.	QTY.	DESCRIPTION
-	FT8948-1		0	PULLER TO REMOVE BEARING CAGE RETAINER
-	FT2915		0	SEAL INSTALLER TO INSTALL PROPELLER SHAFT SEAL AND DRIVE SHAFT SEAL
-	FT8957		0	SEAL INSTALLER TO INSTALL SHIFT ROD SEAL

## SPECIAL TOOLS - TEST EQUIPMENT

REF. NO.	PART NO.	SYM.	QTY.	DESCRIPTION
-	FT8950		0	LEAKAGE TESTER TO CHECK GEAR HOUSING FOR LEAKS

# SPECIAL TOOLS - LUBRICANTS AND SEALANTS

REF. NO.	PART NO.	SYM.	QTY.	DESCRIPTION
-	FT2961		0	LUBRICANT - RYKON GREASE #2EP
-	FT2987-1		0	LUBRICANT - ANTI-SEIZE
-	FT8969		0	LUBRICANT - L PSI
-	FT8983		0	SEALANT - RTV
-	FT8936-1		0	SEALANT - LOCTITE RETAINING COMPOUND #75
-	FT2962-1		0	SEALANT - LOCTITE H, NON-HARDENING GRADE
-	FT2963-2		0	SEALANT - LOCTITE D, HARDENING GRADE
-	FT8935		0	SEALANT PRIMER - GRADE T

## ACCESSORIES

REF. NO.	PART NO.	SYM.	QTY.	DESCRIPTION
-	F5H164		0	A-C LIGHTING COIL KIT PROVIDES 12 VOLT, 60 WATT OUTPUT FOR OUTBOARD RUNNING LIGHTS.
-	F5H091		0	BATTERY CHARGING SYSTEM USED IN CONJUNCTION WITH 5H164 LIGHTING COIL KIT.
-	F5H025		0	ANTI CORROSION SACRIFICIAL ANODE TO PROTECT ENGINE FROM ELECTROLYSIS CORROSION.
-	5H092		0	FUEL PUMP KIT ADAPTS ENGINE TO USE WITH REMOTE FUEL TANK.
-	F5H027		0	6 GALLON FUEL TANK USED IN CONJUNCTION WITH 5H092 FUEL PUMP KIT TO PERMIT EXTENDED CRUISING RANGE.
-	F5H093		0	LEG EXTENSION KIT CONVERTS 15 INCH STANDARD SHAFT MODEL TO 20 INCH LONG SHAFT MODEL.
-	F596		0	CHRYSLER OUTBOARD OIL SEE BLOCK COMMENT 1.
-	F597		0	CHRYSLER OUTBOARD GEAR LUBE SEE BLOCK COMMENT 2.
-	F5H059		0	CHRYSLER OUTBOARD MULTI-PURPOSE GREASE LUBRICATES BEARINGS AND OTHER MOVING PARTS. AVAILABLE IN 8 OZ. TUBES AND 12 TUBE CASES.
-	F5H060		0	CHRYSLER OUTBOARD GREASE GUN USED WITH CHRYSLER OUTBOARD MULTI-PURPOSE GREASE TUBES FOR PRESSURE FITTINGS.
-	F5H134		0	BOAT WHITE LACQUER

# PARTS INDEX

Part Number	Description	Pg.	Ref. No.	Part Number	Description	Pg.	Ref. No.
2C608712	ENGINE COVER COMPLETE.	3	-	F12361	LEAD WIRE AND GROMMET PACKAGE	7	13
5H092	FUEL PUMP KIT	29	-	F12362	STATOR PLATE W/CORE	7	9
817761A2	CLAMP SCREW	17	20	F1298	ROUND HD SCREW W/LOCKWASHER	7	20
817810A1	LOCK BAR ASSEMBLY	17	14	F1341	HEX NUT	13	1
817815A4	SWIVEL BRACKET - PORT	17	12	F1341	HEX NUT	17	13
817816A6	SWIVEL BRACKET - STARBOARD	17	30	F1341	HEX NUT	23	44
820433T	HANDLE, GEAR SHIFT W/SHAFT	19	41	F1371	SOCKET HD SCREW W/LOCKWASHER, 10 - 24 X 5/8	21	2
C247227-1	SPARK PLUG (RL-86) CANADA ONLY	15	-	F1406	COTTER PIN	17	34
F10058	FUEL BOWL	9	34	F1426	HEX HD SCREW W/LOCKWASHER, 1/4 - 20 X 7/16	15	44
F10059	THROTTLE SHAFT	9	19	F1473	HEX NUT	3	30
F10060	THROTTLE	9	16	F1490	HEX NUT, 1/4 - 20	9	26
F10061	CHOKE SHAFT	9	20	F1493	PAN HD SCREW, 1/4 - 20 X 5/8	13	14
F10062	CHOKE VALVE	9	24	F1504	FILL H.M.S. 1/4-20 X 1-1/4	23	-
F10063	FLOAT	9	30	F1504	FILL HD SCREW, 1/4 - 20 X 1 1/4	21	5
F10064	FLOAT PIN	9	31	F1532	HEX CAP SCREW, 1/4 - 20 X 1	9	3
F10065	NOZZLE	9	27	F15570	SPRING, REWIND	5	3
F10066	GASKET, VALVE SEAT	9	28	F15582-1	STARTER ROPE	5	5
F10068	GASKET, FUEL BOWL	9	32	F15591	ROTOR	5	4
F10069	GASKET SET.	11	46	F15594	WASHER	5	9
F10070	SCREW, CHOKE VALVE	9	25	F15595	FRICTION SHOE ASSEMBLY	5	11
F10071	SCREW	9	15	F15596	SPRING	5	8
F10072	SPRING, CHOKE STOP	9	21	F15597	SCREW	5	12
F10073	SPRING, IDLE ADJUSTMENT NEEDLE	9	22	F15601	COVER	5	2
F10075	SPRING, THROTTLE RETURN	9	18	F15602	NYLINER	5	10
F10077	NEEDLE, IDLE	9	23	F1645	RD HD THD. CUTTING, 6 - 32 X 1/4	19	45
F10084	SPRING, FLOAT SUPPORT	9	35	F1655	HEX HD SCREW W/SPRING LOCKWASHER, 1/4 - 20 X 3/8	7	15
F10086	JET ASSEMBLY (.037) OPT. 5000 FT. - 7000 FT.	9	-	F1705	HEX HD CAP SCREW, 1/4 - 20 X 3/4	13	5
F10090	GASKET, BOWL RETAINER	9	33	F1734	SLOTTED FILL HD SCREW, 1/4 - 20 X 1/2	7	27
F10093	JET ASSEMBLY (.038) OPT. 3000 FT. - 5000 FT.	9	-	F1747	FILL HD SCREW, 10 - 24 X 1-11/16	17	8
F10094	JET ASSEMBLY (.036) OPT. 7000 FT. AND UP	9	-	F1755	ROUND HD SCREW W/LOCKWASHER, 6 - 32 X 5/16	9	12
F10096	JET ASSEMBLY (.039) STD. SEA LEVEL - 3000 FT.	9	36	F1756	STOP NUT	13	27
F10098	REPAIR KIT.	11	45	F1789	PIPE PLUG	13	29
F10100	VALVE, SEAT AND GASKET ASSEMBLY	9	29	F17938	ANCHOR	3	5
F1014	COTTER PIN	19	51	F17980	FUEL CAP GASKET	3	3
F1035	SLOTTED FILL HD SCREW, 1/4 - 20 X 5/8	3	10	F1829	FILL HD M. SCREW, 10 - 24 X 7/8	3	9
F1064	FILL HD SCREW, 8 - 32 X 3/8	11	43	F1846	COTTER PIN	21	38
F1077	FILL HD SCREW, 10 - 24 X 1/4	21	17	F1896	HEX NUT	5	1
F1099	SLOTTED FILL HD SCREW, 1/4 - 20 X 1 1/4	13	32	F1922	HEX HD SCREW, 1/4 - 20 X 5/8	17	2
F1107	FILL HD M. SCREW, 1/4 - 20 X 3/4	13	30	F19342	SEAL, SHIFT LEVER SHAFT	17	38
F1199	HEX CAP SCREW, 1/4 - 20 X 1	21	21	F1975	LOCKWASHER, #10	19	50
F12066	FRICTION SCREW	7	18	F1975	SPRING LOCKWASHER	13	17
F12090	MOUNTING SCREW	7	5				
F12350	WEDGE SPRING	7	10				
F12359	CONTACT SET	7	7				
F12360	FELT CAM	7	8				



# PARTS INDEX

Part Number	Description	Pg.	Ref. No.	Part Number	Description	Pg.	Ref. No.
F197813	BEARING	17	15	F427249	RETAINING RING	3	4
F1979	PAN HD SCREW, 10 - 24 X 1/2	3	23	F433209-1	STUD, CARBURETOR	9	7
F1995	SLOTTED FILL HD SCREW, 10 - 24 X 1	3	7	F436449	SHORTING SWITCH	7	19
F2008	HEX CAP SCREW, 1/4 - 20 X 7/8	9	41	F459186	COLLAR, FUEL TANK	3	1
F2014	PLAIN WASHER	17	23	F468037-1	PIVOT BOLT	17	31
F2014	PLAIN WASHER	17	37	F468169	BEARING, SWIVEL BRACKET	17	3
F2035	PHILLIPS FILL HD SCREW, 1/4 - 20 X 1	17	29	F468300	SPRING, REVERSE LOCK	17	26
F2037	PLAIN WASHER	17	25	F468349	REVERSE LOCK	17	27
F2040	HEX WASHER HD TAPTITE SCREW, 1/4 - 20 X 5/8	13	31	F468350	PIN, REVERSE LOCK	17	28
F2041	HEX HD M. SCREW, 10 - 24 X 3/8	13	16	F46899-1	COVER, SHIFT COUPLING	17	5
F2041	HEX M. SCREW, 10 - 24 X 3/8	17	36	F50109	PLUG, GEAR HOUSING	21	19
F2042	PLAIN WASHER	5	7	F521002	CAM	7	4
F2042	PLAIN WASHER, #10 NARROW	3	29	F521004	STUD	13	22
F213274	FITTING, GREASE	19	47	F521013	BEARING, CRANKSHAFT UPPER	13	38
F24074	CLAMP SCREW FOOT	17	17	F521015	PISTON	13	11
F250017	PISTON PIN	13	10	F521034-1	FUEL TANK	3	15
F250410	PISTON PIN RETAINING RING	13	9	F521061-6	CARBURETOR - COMPLETE	9	17
F270038	SUPPORT PLATE	13	21	F521063-2	STARTER - COMPLETE	5	-
F2706772	HOSE CLAMP	3	13	F521065	IMPELLER	21	7
F286132	HANDLE, STARTER ROPE	5	6	F521065	IMPELLER, WATER PUMP	23	-
F286286-1	WASHER, NYLON	13	23	F521079	STEERING HANDLE	13	26
F298075	HANDLE, CLAMP SCREW	17	18	F521099	SPACER	21	29
F2A237228	CRANKPIN ROLLER & CAGE SET	13	13	F521118-1	SEAL, CRANKSHAFT LOWER	13	36
F2A332167	CARBURETOR ADAPTER	9	2	F521128	DRIVESHAFT - STANDARD LEG	21	12
F2A521010	CYLINDER W/CRANKCASE COVER AND ILLUS. 30 AND 33	13	6	F521146	SEAL, CRANKSHAFT UPPER	13	39
F2A521016	CONNECTING ROD W/BEARING AND ILLUS. 34	13	12	F521168	CARBURETOR ADAPTER GASKET	15	-
F2A521054	GEAR HOUSING	21	20	F521168	GASKET, CARBURETOR ADAPTER	9	1
F2A527018	CRANKSHAFT	13	37	F521192	THROTTLE CAM	7	16
F31160-1	REED	9	10	F521199	SPRING, THROTTLE LEVER ADJUSTMENT	3	28
F318307	SEAL, DRIVESHAFT	21	15	F521244-1	WATER LINE STANDARD LEG	19	43
F318372	PIN, CLUTCH GUIDE	21	27	F521246-1	PLUG, WATER PUMP	21	39
F338618-1	SEAL	23	-	F521248	DECAL, CHOKE (USA)	13	19
F338618-1	SEAL, SHIFT ROD	21	9	F521251-3	GAS CAP COMPLETE.	3	2
F341284-1	KNOB, ENGINE COVER RETAINER	15	48	F521261	LINE, WATER OUTLET	19	46
F341610	BEARING, GEAR SHIFT SHAFT	19	40	F521266	BEVEL PINION GEAR	21	22
F341704	COUPLING, GEAR SHIFT ROD	21	1	F521270	SLINGER	15	45
F36634	SCREW, CONNECTING ROD	13	34	F521279	CYLINDER EXHAUST GASKET	15	-
F390137	GRIP, STEERING HANDLE	13	28	F521279	GASKET, CYLINDER EXHAUST	13	7
F390563	PIN, WATER PUMP IMPELLER DRIVE	21	13	F521284	KNOB, ENGINE COVER RETAINER	3	26
F409521	CLUTCH	21	26	F521296	RETAINER, PROPELLER SHAFT BEARING CAGE	21	33
F409719	CLUTCH SPRING	21	28	F521305	SEAL, "O" RING	21	32
F424161	REED STOP	9	11	F521307	SEAL, PROPELLER SHAFT	21	31
				F521319	BUSHING, STEERING HANDLE	13	25
				F521342-1	SEAL, WATER LINE	19	42
				F521391-1	DECAL, SPEED RANGE (USA)	3	11

# PARTS INDEX

Part Number	Description	Pg.	Ref. No.	Part Number	Description	Pg.	Ref. No.
F521489	VALVE, FUEL SHUT-OFF . . .	9	14	F66480	STUD . . . . .	17	16
F521498	KEY, FLYWHEEL . . . . .	7	3	F7009	LOCK NUT, 10 - 24 . . . . .	21	40
F521514	KNOB, STEERING FRICTION W/SCREW . . . . .	17	11	F7011	HEX NUT . . . . .	3	21
F521518	CYLINDER HEAD . . . . .	15	41	F7026	STOP NUT . . . . .	17	22
F521529	CYLINDER HEAD GASKET . . .	15	-	F8008	PLAIN WASHER . . . . .	3	25
F521529	GASKET, CYLINDER HEAD . . .	13	40	F8008	PLAIN WASHER . . . . .	15	47
F521537	PLATE, WATER PUMP . . . . .	21	6	F8015	PLAIN WASHER . . . . .	13	24
F521537	PLATE, WATER PUMP TOP . . .	23	-	F8028	PLAIN WASHER . . . . .	15	43
F521547	CHOKE KNOB . . . . .	13	20	F8060	INTERNAL TOOTH LOCKWASHER . . . . .	9	4
F521549-2	THROTTLE LEVER . . . . .	7	14	F8061	INTERNAL TOOTH LOCKWASHER . . . . .	3	16
F521550	KNOB, FUEL SHUT-OFF . . . . .	9	13	F8074	WASHER . . . . .	21	18
F521552	SCREW, FLYWHEEL . . . . .	7	1	F8077	WASHER . . . . .	23	42
F521569	CAP, GREASE FITTING . . . . .	19	49	F8078	LOCKWASHER, INTERNAL TOOTH . . . . .	11	44
F521579	SEAL, CRANKSHAFT SPLINE . .	13	35	F8083	SPRING LOCKWASHER . . . . .	13	2
F521615	ROD, GEAR SHIFT UPPER . . .	17	33	F8083	SPRING LOCKWASHER . . . . .	17	32
F521621	LEVER, GEAR SHIFT . . . . .	17	35	F8083	SPRING LOCKWASHER . . . . .	21	8
F521631	SHOE, SWIVEL FRICTION . . .	17	10	F8537	SPRING PIN . . . . .	17	21
F521661-1	PAD, SWIVEL FRICTION . . . .	17	9	F8538	SPRING PIN . . . . .	21	3
F521690-1	SCREW, THROTTLE LEVER ADJUSTMENT . . . . .	3	27	F8554	SPRING PIN . . . . .	17	19
F521705	ROD, GEAR SHIFT LOWER . . .	21	4	F8559	DOWEL PIN . . . . .	13	33
F521708	CARBURETOR COVER . . . . .	11	42	F901938-1	SCREW, CYLINDER HEAD . . .	13	3
F521721	CAM, CLUTCH SHIFT . . . . .	21	14	F9102	RETAINING RING . . . . .	15	49
F521727	SLEEVE, IDLE BAFFLE . . . . .	17	6	FA324101	PROPELLER PIN, PACK OF 3 . . . . .	21	36
F521728	CLUTCH SHIFT PIN . . . . .	21	23	FA341151	PLATE, EXHAUST . . . . .	19	44
F521774	BRACKET, ENGINE COVER LOWER MOUNTING . . . . .	13	4	FA341298	BEARING CAGE W/BEARING AND ILLUS. 31 . . . . .	21	30
F521779	BAFFLE, IDLE RELIEF . . . . .	17	7	FA409098	PROPELLER SHAFT . . . . .	21	25
F521783	SEAL . . . . .	21	16	FA468346	SHOCK MOUNT . . . . .	17	4
F521811	FITTING, GAS TANK . . . . .	3	12	FA521023	BEVEL GEAR W/BEARING . . .	21	24
F521894	DECAL, "OFF" (USA) . . . . .	3	8	FA521735	SEAL, WATERLINE . . . . .	21	10
F521906	CARBURETOR GASKET . . . . .	15	-	FA521735	WATERLINE SEAL . . . . .	23	-
F521906	GASKET, CARBURETOR . . . . .	9	9	FA521778	RETAINER, ENGINE COVER FRONT . . . . .	3	20
F521908	GROUND WIRE . . . . .	7	17	FA608396	DECAL, ENGINE COVER - STARBOARD . . . . .	3	-
F521910	BEARING, CRANKSHAFT LOWER . . . . .	15	46	FA608397	DECAL, ENGINE COVER - PORT . . . . .	3	19
F521925	LINK, CHOKE KNOB . . . . .	13	15	FA608892	DECAL, ENGINE COVER - FRONT . . . . .	3	22
F521984	BLANKET, SILENCER TOP . . . .	3	31	FA735060	BODY, WATER PUMP . . . . .	23	-
F525457	FILL HD SCREW, 1/4 - 20 X 5/8 . . . . .	21	34	FA735060	WATER PUMP BODY W/PLUG . . . . .	21	11
F535097	FLYWHEEL . . . . .	7	2	FA901754	HOSE . . . . .	3	14
F535163	COVER, SUPPORT PLATE . . . . .	13	18	FC341054	GEAR HOUSING COMPLETE. . . . .	21	-
F535944	ENGINE COVER, BOTTOM . . . . .	3	6	FC521010	SHORT BLOCK . . . . .	13	-
F596	CHRYSLER OUTBOARD OIL . . .	29	-	FC521248	DECAL, CHOKE (CANADA) . . .	13	-
F597	CHRYSLER OUTBOARD GEAR LUBE . . . . .	29	-	FC521400	DECAL, GEAR SHIFT HANDLE (CANADA) . . . . .	19	48
F5H025	ANTI CORROSION SACRIFICIAL ANODE . . . . .	29	-	FC521894	DECAL, "OFF" (CANADA) . . .	3	-
F5H027	6 GALLON FUEL TANK . . . . .	29	-	FG1022	GASKET SET. . . . .	15	50
F5H059	CHRYSLER OUTBOARD MULTI-PURPOSE GREASE . . . .	29	-	FK1057	GEAR HOUSING SEAL KIT. . . .	23	41
F5H060	CHRYSLER OUTBOARD GREASE GUN . . . . .	29	-	FK1058	TUNE UP KIT. . . . .	7	28
F5H091	BATTERY CHARGING SYSTEM . . . . .	29	-	FK1072	WATER PUMP KIT. . . . .	23	43
F5H093	LEG EXTENSION KIT . . . . .	29	-	FK1123	SPARKIE KIT . . . . .	7	12
F5H134	BOAT WHITE LACQUER . . . . .	29	-	FK12357	CONDENSER W/CLAMP . . . . .	7	6
F5H164	A-C LIGHTING COIL KIT . . . .	29	-				
F601006	STUD . . . . .	23	45				

# PARTS INDEX

Part Number	Description	Pg.	Ref. No.	Part Number	Description	Pg.	Ref. No.
FK12369	COIL W/LEAD WIRE AND WEDGE SPRING . . . . .	7	11				
FK525713	PACKING, TOP COVER TRIM	3	18				
FP332	PROPELLER . . . . .	21	35				
FS535712	ENGINE COVER TOP W/RETAINER & PACKING	3	24				
FT1749	SNAP RING PLIERS . . . . .	25	-				
FT2915	SEAL INSTALLER . . . . .	26	-				
FT2961	LUBRICANT - RYKON GREASE #2EP . . . . .	28	-				
FT2962-1	SEALANT - LOCTITE H, NON-HARDENING GRADE	28	-				
FT2963-2	SEALANT - LOCTITE D, HARDENING GRADE . . . . .	28	-				
FT2987-1	LUBRICANT - ANTI-SEIZE . .	28	-				
FT2989	FLYWHEEL WEDGE . . . . .	24	-				
FT2990	PISTON PIN TOOL . . . . .	25	-				
FT2991	CARBON BRUSH . . . . .	25	-				
FT2993	SPANNER WRENCH . . . . .	24	-				
FT2997	RING COMPRESSOR . . . . .	25	-				
FT2998	TORQUE WRENCH . . . . .	24	-				
FT2999	TORQUE WRENCH . . . . .	25	-				
FT8900	HOSE CLAMP PLIERS . . . . .	25	-				
FT8919	PIN PUNCH . . . . .	25	-				
FT8926	RING EXPANDER . . . . .	25	-				
FT8929	CONNECTING ROD TOOL . .	25	-				
FT8930-1	FEELER GAUGE . . . . .	24	-				
FT8935	SEALANT PRIMER - GRADE T . . . . .	28	-				
FT8936-1	SEALANT - LOCTITE RETAINING COMPOUND #75 . . . . .	28	-				
FT8948-1	PULLER . . . . .	26	-				
FT8950	LEAKAGE TESTER . . . . .	27	-				
FT8957	SEAL INSTALLER . . . . .	26	-				
FT8969	LUBRICANT - L PSI . . . . .	28	-				
FT8983	SEALANT - RTV . . . . .	28	-				
FT8998	KNOCK-OFF SCREW . . . . .	24	-				
11-817752A1	PROPELLER NUT . . . . .	21	37				
33-82370M	SPARK PLUG (L-86) . . . . .	15	42				
37-817908--3	DECAL, SPEED RANGE (CANADA) . . . . .	3	-				
39-818038A1	PISTON RING SET (2 RINGS)	13	8				
1400-817850A4	STERN BRACKET . . . . .	17	24				
1500-817940A6	MOTOR LEG . . . . .	17	1				