



PARTS CATALOG

105 H.P.

SERIAL NUMBER

105 (1982)	1058B2G
105 (1982)	1058H2G

TABLE OF CONTENTS:

ACCESSORIES	59
CARBURETOR	14
CRANKSHAFT AND PISTON GROUP	30
DISTRIBUTOR	10
ELECTRICAL COMPONENTS	4
ENGINE COVER AND SUPPORT PLATE	2
FUEL PUMP AND REED PLATE	18
FUEL TANK AND LINE	44
GEAR HOUSING	38
MOTOR LEG	32
PARTS INDEX	62
POWER HEAD	22
POWER TRIM UNIT	50
REMOTE CONTROL	46
SPECIAL TOOLS - GEAR HOUSING	56
SPECIAL TOOLS - LUBRICANTS AND SEALANTS	58
SPECIAL TOOLS - POWER HEAD	55
SPECIAL TOOLS - TEST EQUIPMENT	57
SPECIAL TOOLS - TUNE-UP	54
STARTER	8

NOTE: Indented description indicate that these parts are included in preceeding assembly.

AR = As Required

NSS = Not Sold Separate

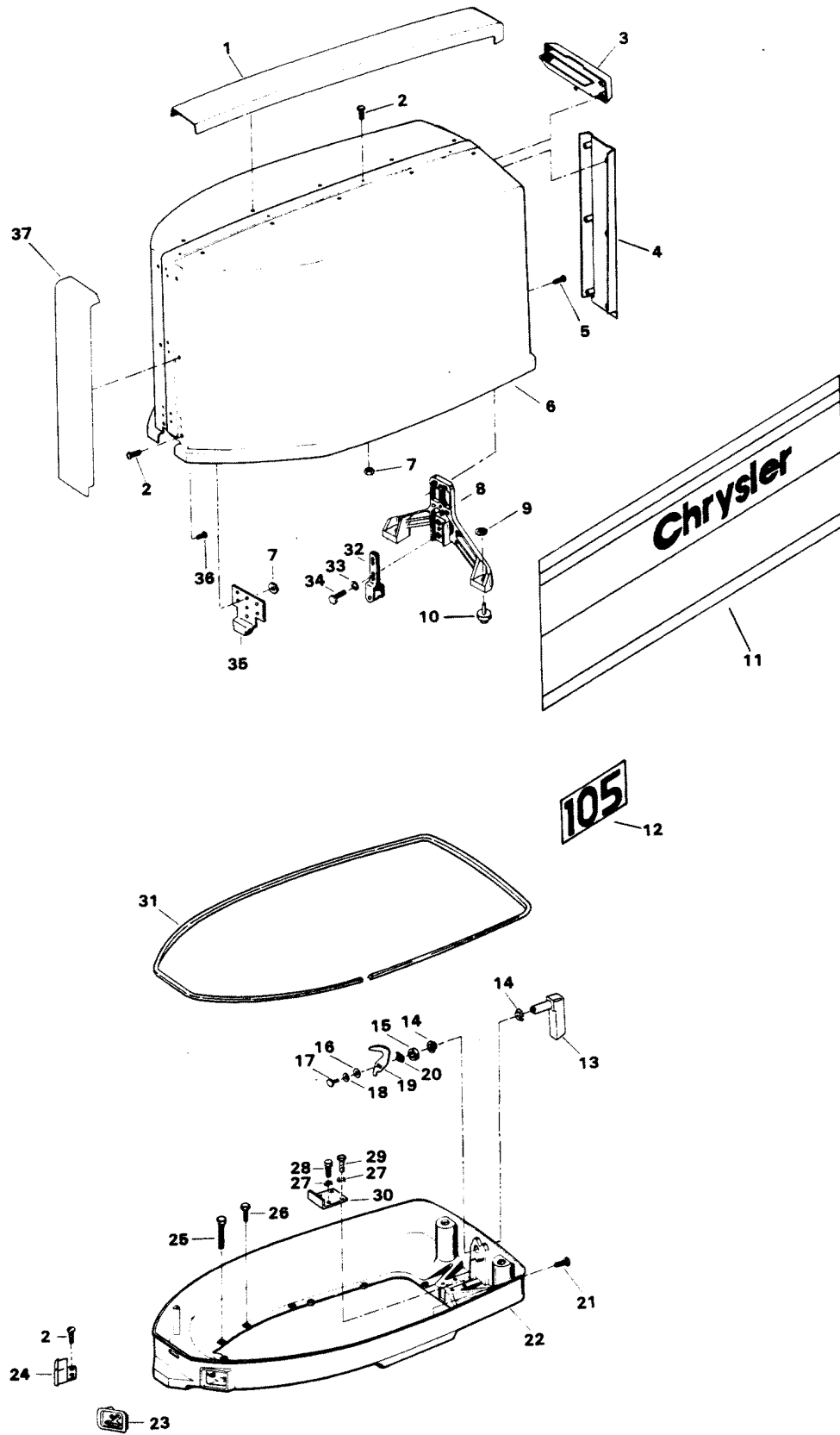
OPT = Optional

NS = Not Shown

THESE PARTS BOOKS/FICHE CARD ARE COPYRIGHTED AND MAY NOT BE DISTRIBUTED OR REPRODUCED IN ANY OTHER FORMAT BY ANYONE OTHER THAN MERCURY MARINE WITHOUT THE PRIOR WRITTEN CONSENT OF MERCURY MARINE.

THIS PAGE INTENTIONALLY LEFT BLANK

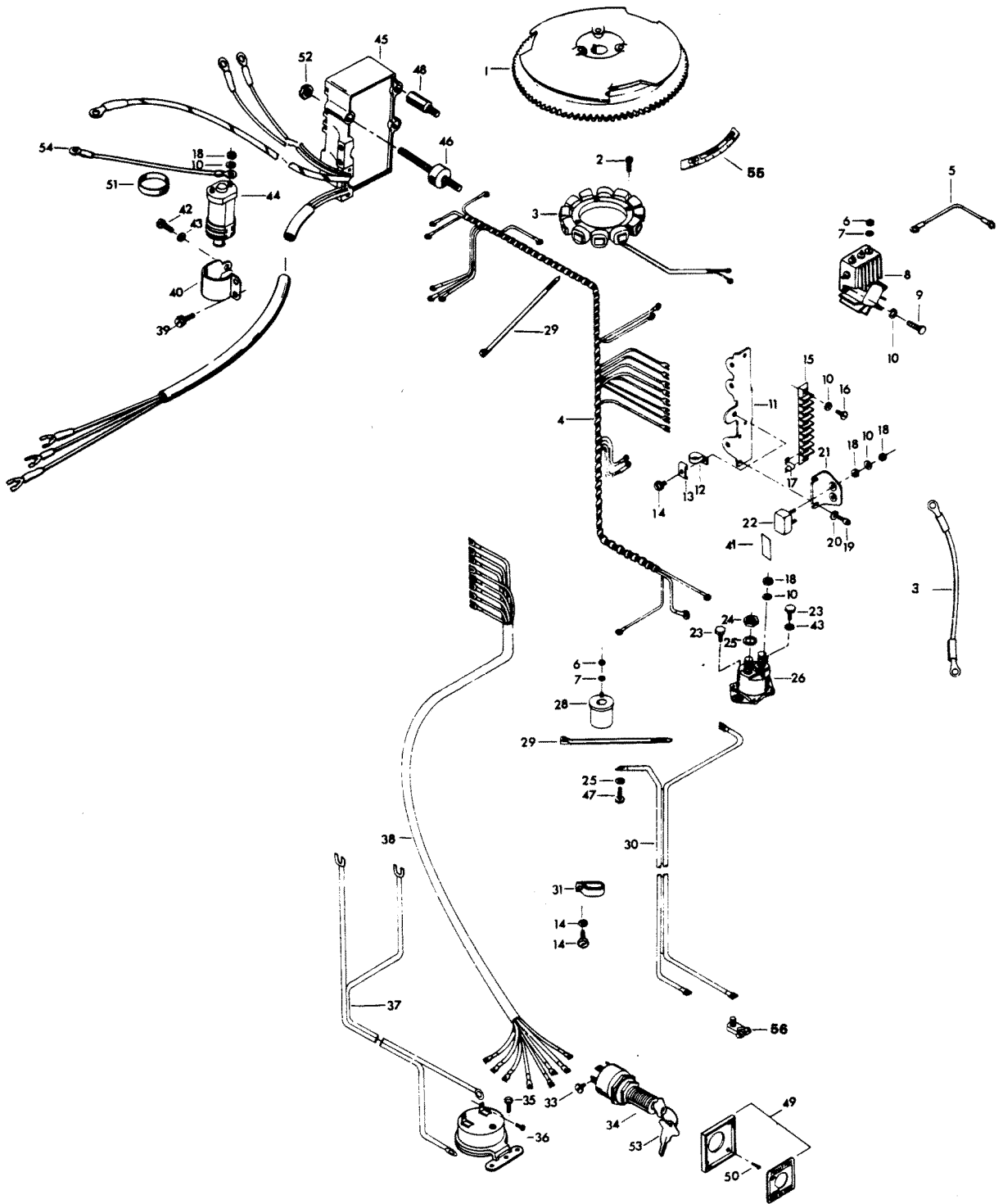
ENGINE COVER AND SUPPORT PLATE



ENGINE COVER AND SUPPORT PLATE

REF. NO.	PART NO.	SYM.	QTY.	DESCRIPTION
1	FA480179		1	TRIM TOP W/LITERATURE
2	F1733		10	PAN HD MACHINE SCREW, 10 - 24 X 9/16
3	FA480269		1	TILT HANDLE W/LITERATURE
4	FA552180		1	TRIM REAR W/LITERATURE
5	F1730		3	PAN HD SCREW W/SPRING LOCKWASHER, 1/4 - 20 X 5/8
6	FA552944		1	ENGINE COVER W/ILLUS. 2, 7 AND 35
-	3C612944		1	ENGINE COVER, COMPLETE, NOTE: ORDER NUMERAL DECALS SEPARATE INCLUDES ALL ITEMS MARKED WITH AN ASTERISK (*).
7	F1473		7	HEX NUT
8	F481774		1	BRACKET, COVER LATCH
9	F2088		2	FASTENER
10	F481434		2	GUIDE, ENGINE COVER
11	FA612397		1	DECAL, PORT W/LITERATURE
-	FA612396		1	DECAL, STARBOARD W/LITERATURE
12	FA586386		2	DECAL, NUMERAL W/LITERATURE
13	FA481469		1	HANDLE W/SHAFT
14	F480818		2	BEARING
15	F481382-1		1	SPACER, LATCH SHAFT
16	F8094		1	PLAIN WASHER
17	F1854		1	HEX CAP SCREW, 1/4 - 20 X 5/8
18	F8083		1	SPRING LOCKWASHER
19	F481777		1	CAM, LATCH
20	F2047		1	WAVE SPRING LOCKWASHER
21	F1864		6	HEX CAP SCREW, 1/4 - 20 X 3/4
22	F480038-2		1	SUPPORT PLATE
23	F549189		1	BUSHING, ELECTRIC CABLE
24	F545189		1	BUSHING, CABLE ENTRY
25	F1708		2	HEX HD CAP SCREW, 1/4 - 20 X 1-3/8
-	F548984		1	BLANKET, SILENCER TOP (NOT SHOWN)
-	F552985		2	BLANKET, SILENCER SIDE (NOT SHOWN)
26	F1922		5	HEX CAP SCREW, 1/4 - 20 X 5/8
27	F8096		4	SPRING LOCKWASHER
28	F1858		2	HEX CAP SCREW, 5/16 - 18 X 1
29	F1857		2	HEX CAP SCREW, 5/16 - 18 X 5/8
30	F335654-1		1	DEFLECTION STOP
31	F321756		1	PACKING, COVER
32	FA481743		1	ROLLER BRACKET ASSEMBLY
33	F8096		2	SPRING LOCKWASHER
34	F1857		2	HEX CAP SCREW, 5/16 - 18 X 5/8
35	F373778-1		1	RETAINER, ENGINE COVER
36	F2066		30	PAN HD TAPPING SCREW, 10 X 7/16 (TRIM TO COVER)
37	FA552888		1	TRIM FRONT W/LITERATURE

ELECTRICAL COMPONENTS

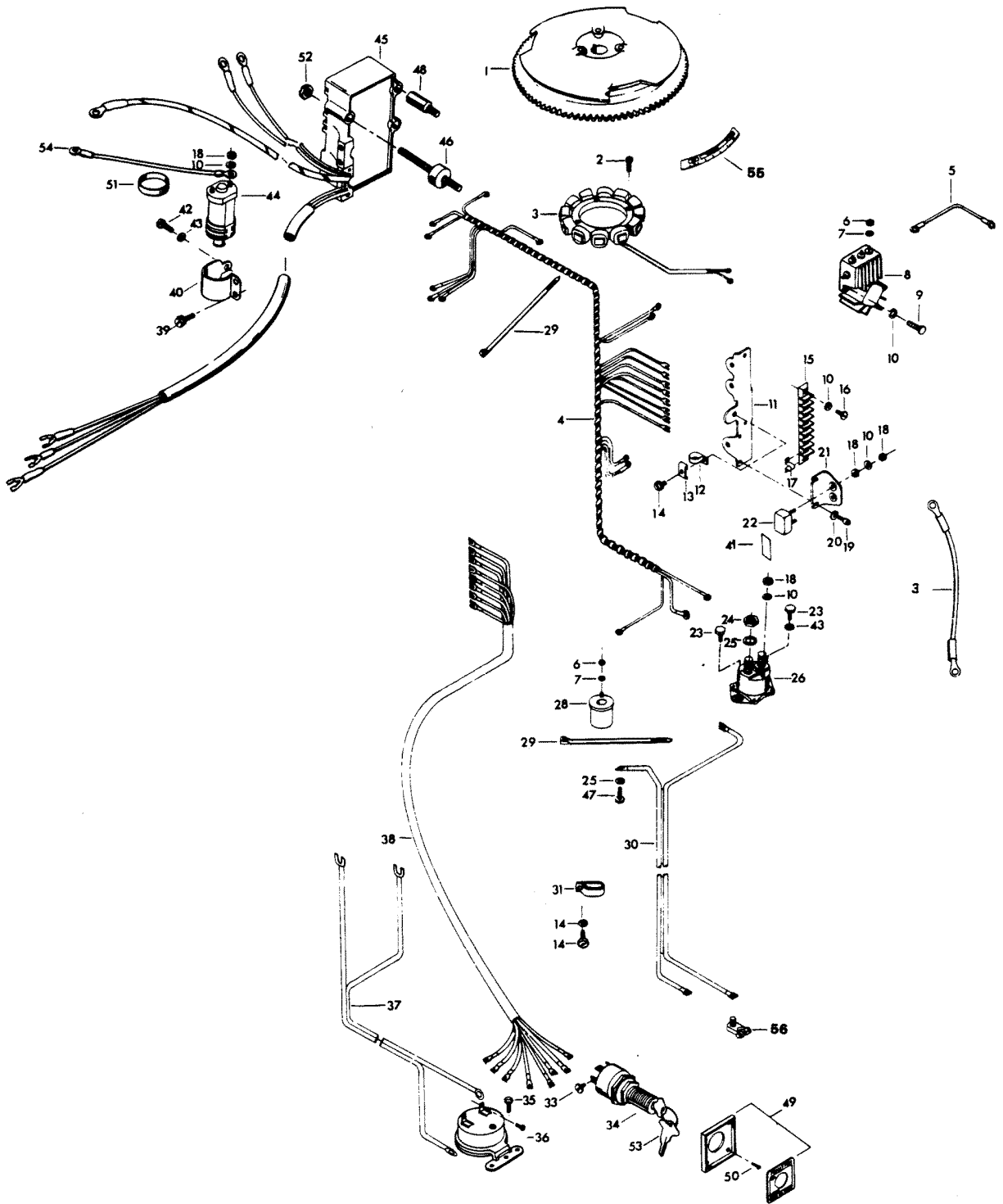


ELECTRICAL COMPONENTS

REF. NO.	PART NO.	SYM.	QTY.	DESCRIPTION
1	F404097		1	FLYWHEEL
2	F1087		6	FILL HD SCREW, 10 - 24 X 13/16
3	F85095-2		1	STATOR
4	F438744-1		1	WIRING HARNESS
5	F345683		1	WIRE, REGULATOR-RECTIFIER GROUND
6	F1647		5	HEX NUT, 8 - 32
7	F8056		5	SPRING LOCKWASHER
8	F404470-1		1	REGULATOR-RECTIFIER
9	F2107		3	FILL HD SCREW, 10 - 24 X 5/8
10	F1975		8	SPRING LOCKWASHER
11	FA439493		1	TERMINAL BLOCK BRACKET WILLUS. 13 AND 14
12	F289446-1		1	CLAMP
13	F438668		1	RETAINER, CABLE CLAMP
14	F1734		2	FILL HD SCREW W/LOCKWASHER, 1/4 - 20 X 1/2
15	FA510497		1	TERMINAL BLOCK WILLUS. 16 ORIGINAL FORCE P/N K 289497-2
16	F1648		2	PAN HD SCREW, 10 - 24 X 3/4
17	F307317		1	CLIP, TERMINAL BLOCK
18	F1513		8	HEX NUT
19	F1760		2	PAN HD SCREW, 10 - 24 X 3/8
20	F8011		2	PLAIN WASHER
21	F91446-1		1	CIRCUIT BREAKER BRACKET
22	F510460		1	CIRCUIT BREAKER
23	F1705		2	HEX CAP SCREW, 1/4 - 20 X 3/4
24	F1515		2	HEX NUT
25	F8096		3	SPRING LOCKWASHER
26	F460917		1	STARTER RELAY
27	F1645		2	RD HD SCREW, 6 - 32 X 1/4
28	F85924		1	CHOKE SOLENOID
29	F1877		2	TY-RAP
30	F381896-4		1	BATTERY CABLE
31	F407446		1	CLAMP
32	F319908		1	GROUND WIRE - CANADA
33	F1280		6	PAN HD SCREW, 8 - 32 X 1/4
34	F5H078		1	IGNITION SWITCH (LONG BARREL) W/KEYS AND SCREWS (ACCESSORY ITEM)
35	F1741		2	PAN HD SCREW, 8 X 3/4
36	F5H043		1	OVERHEAT BUZZER (ACCESSORY ITEM)
37	F404841		1	CABLE, HEAT INDICATOR
38	F85843-1		1	REMOTE ELECTRIC CABLE, 18 FEET
39	F1851		2	FILL HD SCREW W/LOCKWASHER, 10 - 24 X 1/2
40	F404513		1	COIL CLAMP
41	F510374		1	DECAL, CIRCUIT BREAKER U.S.A.
-	FC510374		1	DECAL, CIRCUIT BREAKER - CANADA

CONTINUED ON NEXT PAGE ➡

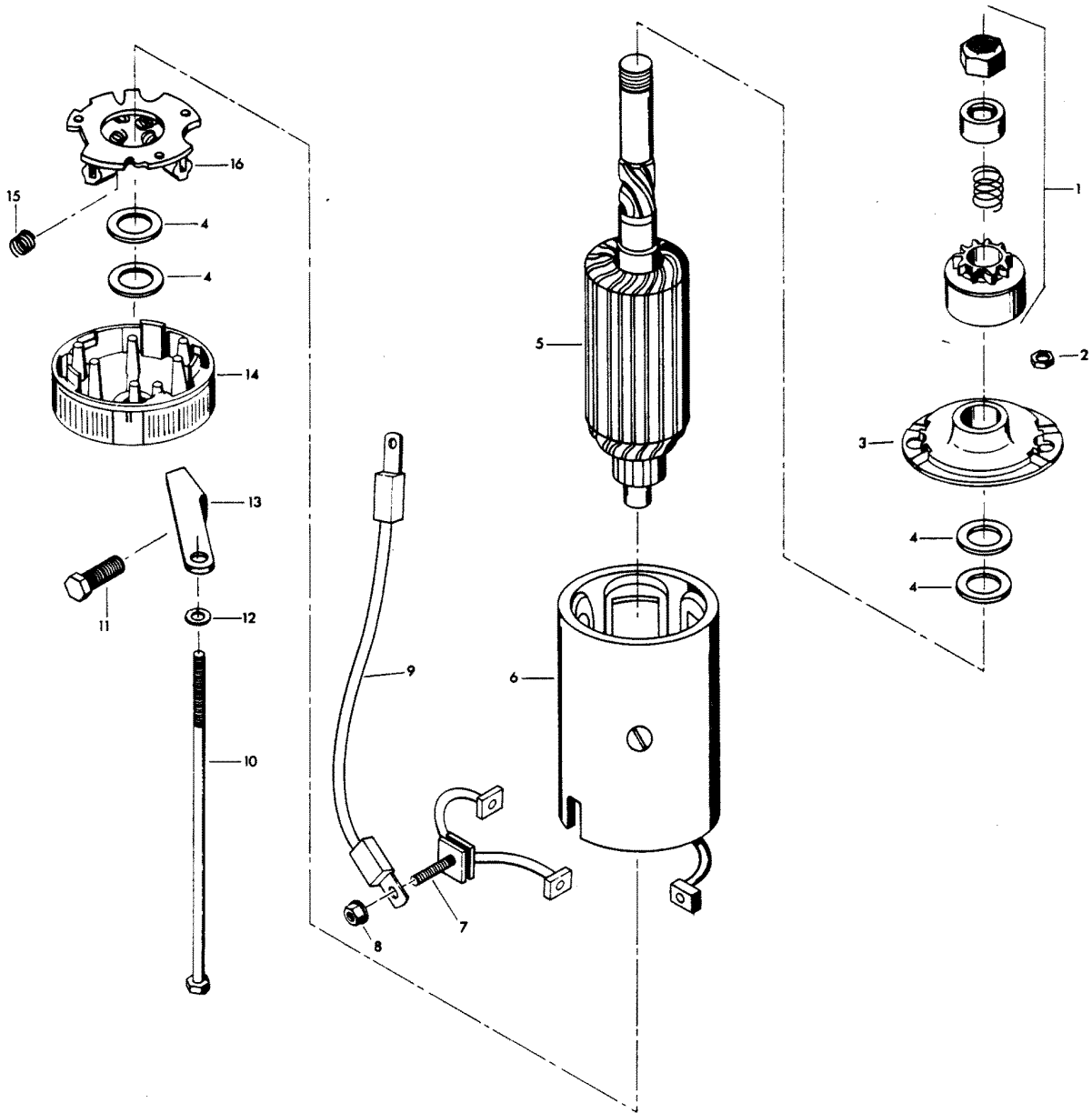
ELECTRICAL COMPONENTS



ELECTRICAL COMPONENTS

REF. NO.	PART NO.	SYM.	QTY.	DESCRIPTION
42	F1689		1	HEX HD CAP SCREW, 1/4 - 20 X 1/2
43	F8083		2	SPRING LOCKWASHER
44	F345475-1		1	COIL
45	300-817855A1		1	UNIT (ORIGINAL FORCE P/N A 523301-1)(Does not include Coil & Clamp)
46	F523962		3	SHOCK MOUNT - C.D. UNIT
47	F2000		1	HEX CAP SCREW, 5/16 - 18 X 3/4
48	F322273		1	STUD, C.D. UNIT
49	F5H038		1	IGNITION SWITCH MOUNTING KIT (ACCESSORY ITEM)
-	817892--1		1	PLATE, IGNITION SWITCH - CANADA (NOT SHOWN)
50	F1934		4	FLAT HD SLOTTED SCREW, 6 X 12
51	F391983		2	RETAINING BAND
52	F1892		3	STOP NUT
53	FA368700		1	KEY, IGNITION - NO LETTER OR STAMPED A
-	FB368700		1	KEY, IGNITION - STAMPED B
-	FC368700		1	KEY, IGNITION - STAMPED C
-	FD368700		1	KEY, IGNITION - STAMPED D
-	FE368700		1	KEY, IGNITION - STAMPED E
54	F85664		1	GROUND WIRE
55	F474387		1	TIMING DECAL - USA
-	FC474387		1	TIMING DECAL - CANADA
56	F71H26		1	BATTERY TERMINAL KIT (ACCESSORY ITEM) (FOR USE WITH 71H26 ONLY)

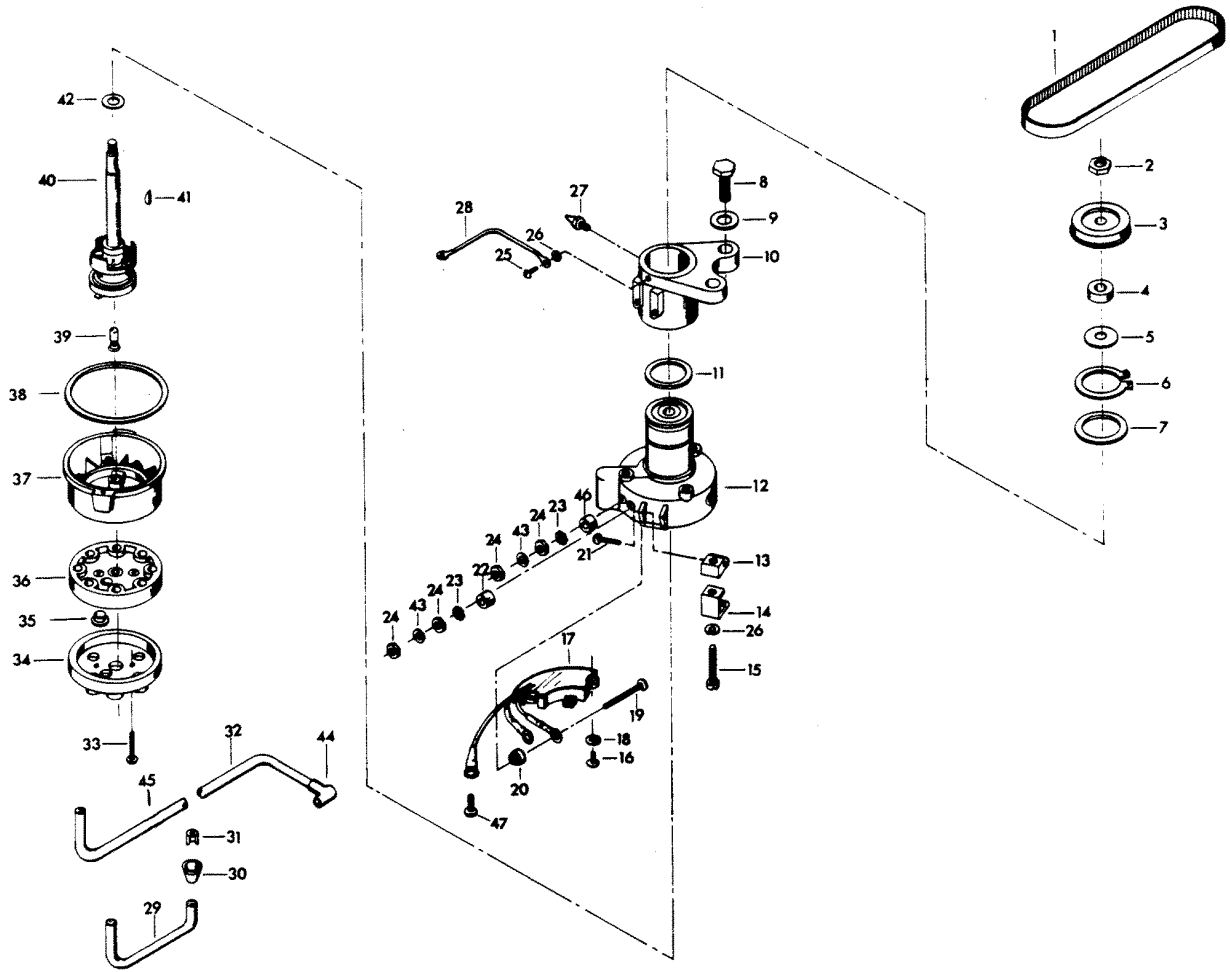
STARTER



STARTER

REF. NO.	PART NO.	SYM.	QTY.	DESCRIPTION
1	F15118		1	BENDIX DRIVE ASSEMBLY
2	F1641		2	LOCK NUT
3	F15167		1	HEAD ASSEMBLY, DRIVE END
4	F15126		1	THRUST WASHER PACKAGE
5	F15099		1	ARMATURE
6	F15166		1	FRAME AND FIELD ASSEMBLY
7	F15054		1	BRUSH AND TERMINAL SET
8	FA15072		1	HEX LOCK NUT, 1/4 - 20 W/WASHER
9	F85908		1	STARTER LEAD WIRE
10	F15168		1	THRU BOLT PACKAGE
11	F1922		1	HEX CAP SCREW, 1/4 - 20 X 5/8
12	F8028		2	PLAIN WASHER
13	F511675		1	STARTER BRACKET, LOWER
14	F15125		1	HEAD ASSEMBLY, COMMUTATOR END
15	F15034		1	SPRING SET
16	F15057		1	BRUSH PLATE AND HOLDER ASSEMBLY
-	F490955		1	STARTER COMPLETE
-	FC500390		1	DECAL, STARTER - CANADA (NOT SHOWN)

DISTRIBUTOR

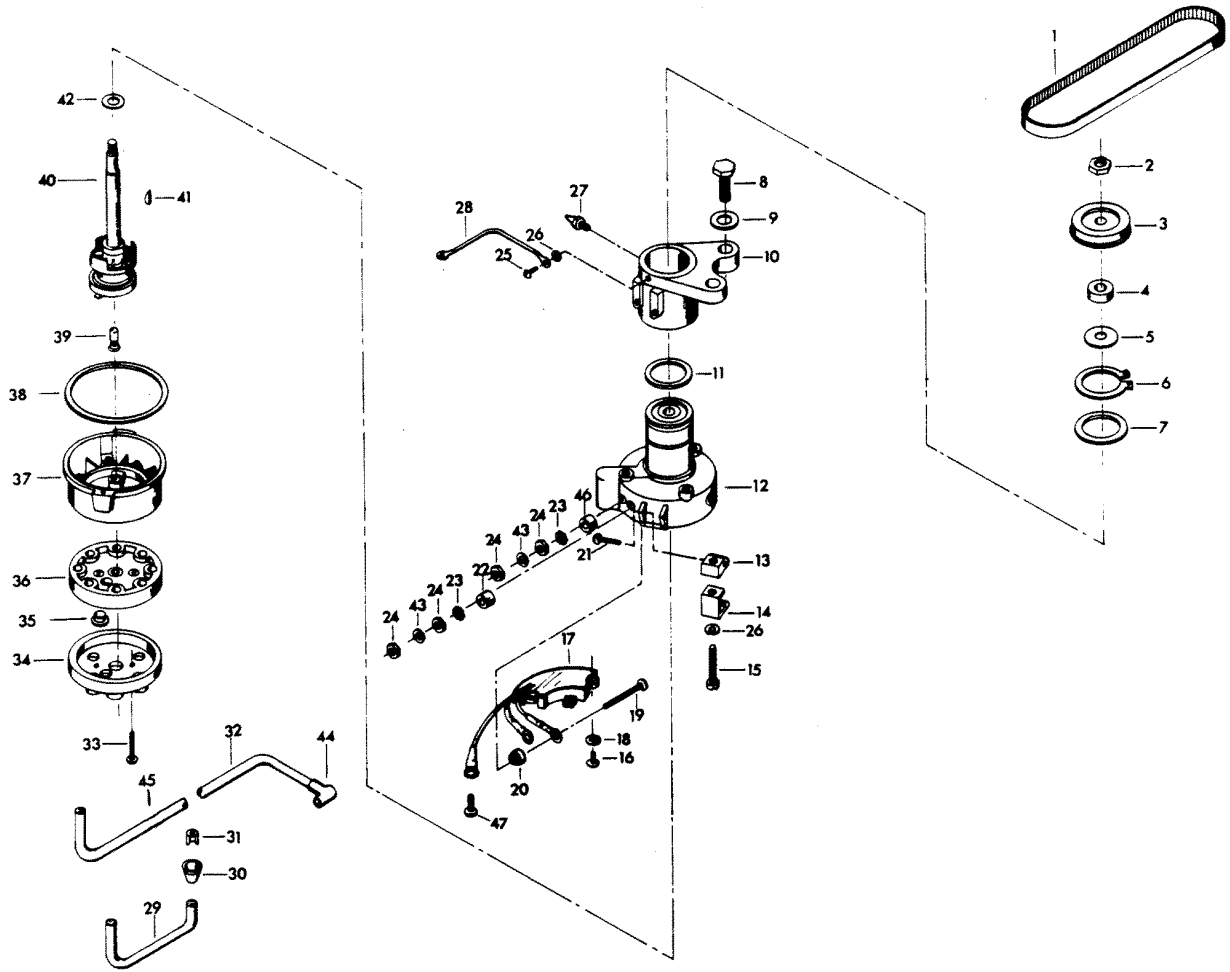


DISTRIBUTOR

REF. NO.	PART NO.	SYM.	QTY.	DESCRIPTION
1	F85311		1	DISTRIBUTOR BELT
2	F7013		1	STOP NUT
3	817786A1		1	DISTRIBUTOR PULLEY W/ILLUS. 2 ORIGINAL FORCE P/N A 373435-1
4	F14025		1	SPACER
5	F14028		1	THRUST WASHER
6	F85173		1	RETAINING RING
7	F14029		1	THRUST WASHER
8	F1612		2	HEX CAP SCREW, 3/8 - 16 X 1-1/4
9	F1778		2	PLAIN WASHER
10	FA321574		1	DISTRIBUTOR BRACKET W/ILLUS. 25, 26 AND 27
11	F1759		2	SHIM, DISTRIBUTOR (QTY. AS REQUIRED)
12	F14042		1	DISTRIBUTOR HOUSING W/BEARINGS
13	F14036		2	SWIVEL
14	F14037		2	CAP CLIPS
15	F14038		2	CAP CLIP SCREWS
16	F14045		2	SCREW
17	FA14048-2		1	PREAMPLIFIER W/ILLUS. 18, SCREW AND LITERATURE
18	F8056		2	LOCKWASHER
19	F14046		2	TERMINAL SCREW
20	F14047		2	TERMINAL INSULATOR (INSIDE)
21	F14015		2	CAP CLIP RIVET
22	F14049		1	TERMINAL INSULATOR (OUTSIDE)
23	F14041		2	EXTERNAL TOOTH LOCKWASHER
24	F1647		4	HEX NUT, 8 - 32
25	F1760		2	PAN HD SCREW, 10 - 24 X 3/8
26	F1975		2	SPRING LOCKWASHER
27	F213274		1	GREASE FITTING
28	F85664		1	DISTRIBUTOR GROUND
29	84-817775A1		1	COIL WIRE W/ILLUS. 30 AND 31 - USA ORIGINAL FORCE P/N A 321905-1
-	F438905		1	COIL WIRE - CANADA
30	F203276		1	BOOT
31	F203673		0	1 TERMINAL CLIP
32	F321841-3		4	LEAD WIRE - USA
-	F438841-1		4	LEAD WIRE - CANADA
33	F14007		2	CAP SCREW
34	F14010-1		1	CAP COVER
35	F14040		2	VENT
36	F14021-1		1	CAP SEAL
37	F14005-2		1	CAP BASE
38	F14030		1	CAP GASKET
39	F14012-1		1	BRUSH
40	F14044		1	DISTRIBUTOR SHAFT

CONTINUED ON NEXT PAGE ➡

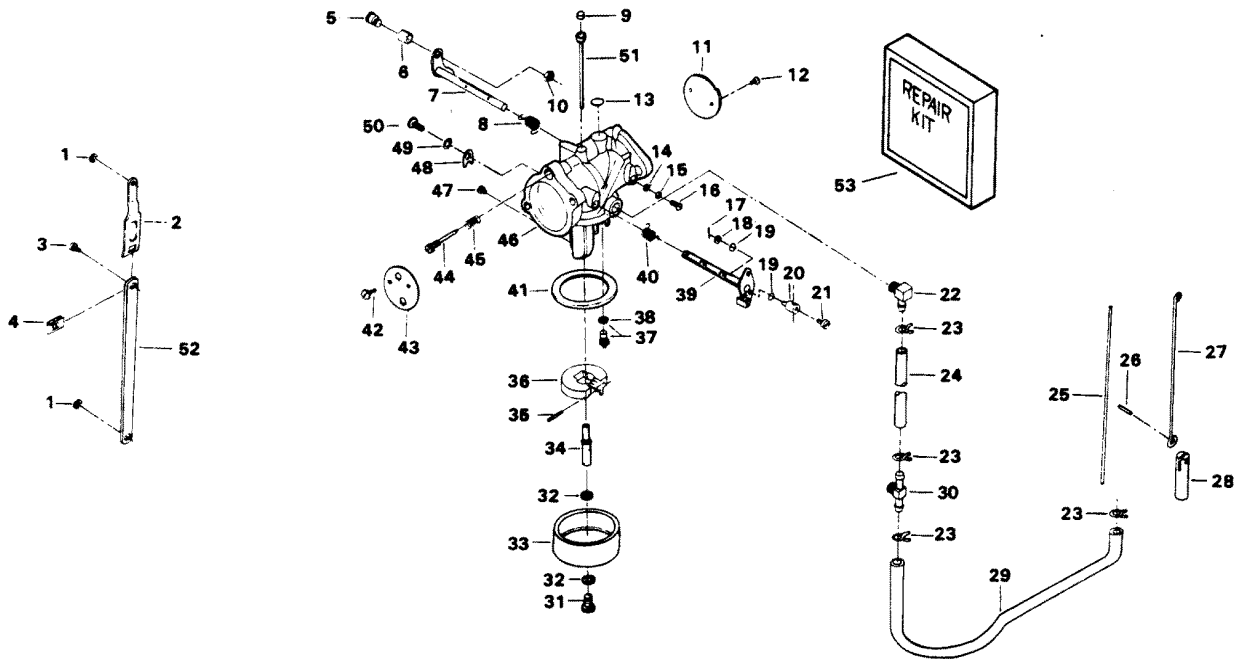
DISTRIBUTOR



DISTRIBUTOR

REF. NO.	PART NO.	SYM.	QTY.	DESCRIPTION
41	F1692		1	WOODRUFF KEY
42	F14024		1	SPACER
43	F8056		2	LOCKWASHER
44	FK1123		4	SPARKIE
45	F85991-1		3	GROMMET
46	F14017		1	TERMINAL INSULATOR (OUTSIDE)
47	F14056		1	SCREW
-	817828A1		1	DISTRIBUTOR (NOT SHOWN)

CARBURETOR

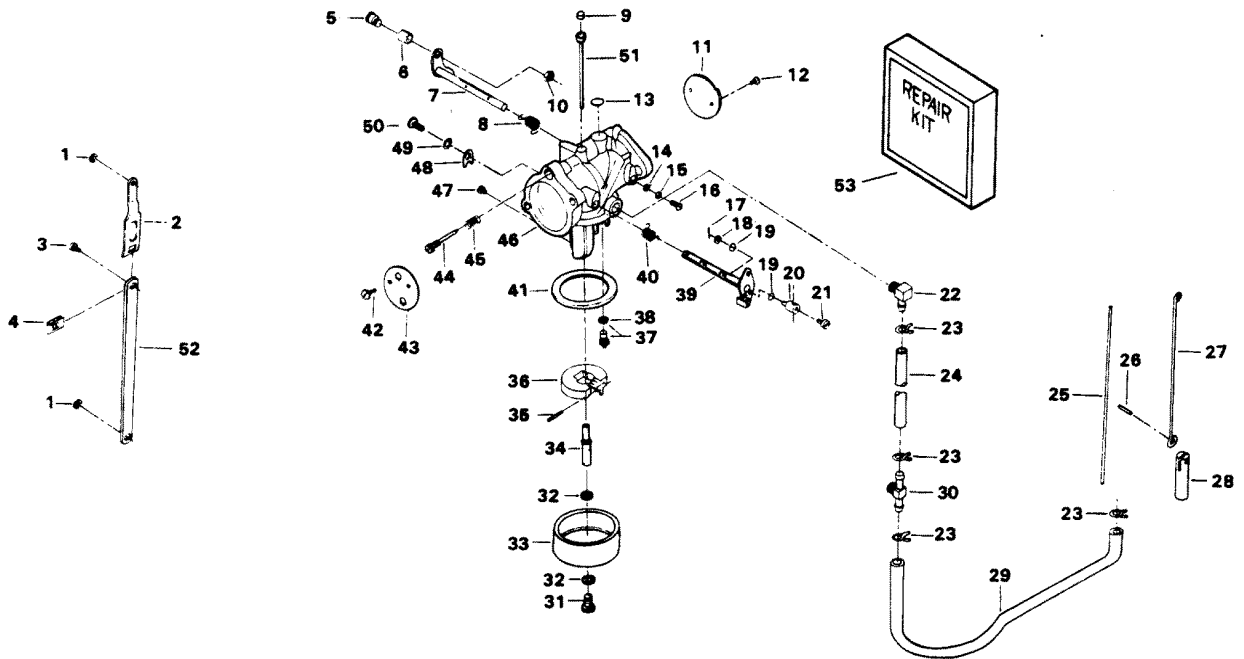


CARBURETOR

REF. NO.	PART NO.	SYM.	QTY.	DESCRIPTION
1	F90807		2	RETAINING RING
2	FA85193		1	TIE BAR END W/SWIVEL
3	F1064		1	FILL HD SCREW, 8 - 32 X 3/8
4	F1693		1	TIE BAR RETAINER
5	F333316		1	THROTTLE ROLLER SHAFT
6	F92759		1	THROTTLE ROLLER
7	FO15231		1	THROTTLE SHAFT AND LEVER
8	FO16008		1	THROTTLE SHAFT RETURN SPRING
9	FO10588		1	BODY CHANNEL CUP PLUG
10	F1997		1	STOP NUT, 8 - 32
11	FO13942		1	THROTTLE SHUTTER
12	FO8942		2	THROTTLE SHUTTER RETAINING SCREW AND LOCKWASHER
13	FO4326		1	BODY CHANNEL WELCH PLUG
14	FO3804		1	RETAINING SCREW WASHER
15	FO6396		1	RETAINING SCREW LOCKWASHER
16	FO6393		1	RETAINING SCREW
17	F1014		2	COTTER PIN
18	F8088		3	PLAIN WASHER
19	F184579		5	O-RING SEAL
20	F184033-1		1	SWIVEL, TOP CARBURETOR
21	F1059		2	FILL HD SCREW, 6 - 32 X 1/4
22	F84314-2		1	ELBOW
23	F97772		4	CLAMP
24	F178754-1		1	FUEL LINE
25	F85509-1		1	LINK, CHOKE
26	F2033		1	GROOVE PIN
27	F372925		1	CHOKE ROD
28	F391926-1		1	PLUNGER
29	F438754		1	FUEL LINE
30	F85314-1		1	FUEL FITTING
31	FO13945		1	FUEL BOWL RETAINING SCREW
32	FO2510		2	FUEL BOWL RETAINING SCREW GASKET
33	FO13552		1	FUEL BOWL
34	FO15217		1	MAIN NOZZLE
35	FO13944		1	FLOAT LEVER PIN
36	FO13554		1	FLOAT
37	FO10790		1	INLET NEEDLE, SEAT AND GASKET
38	FO10165		1	INLET SEAT GASKET
39	FO17241		1	CHOKE SHAFT AND LEVER
40	FO13947		1	CHOKE SHAFT RETURN SPRING
41	FO15623		1	FUEL BOWL GASKET
42	FO8942		2	CHOKE SHUTTER RETAINING SCREW AND LOCKWASHER
43	FO13555		1	CHOKE SHUTTER

CONTINUED ON NEXT PAGE ➡

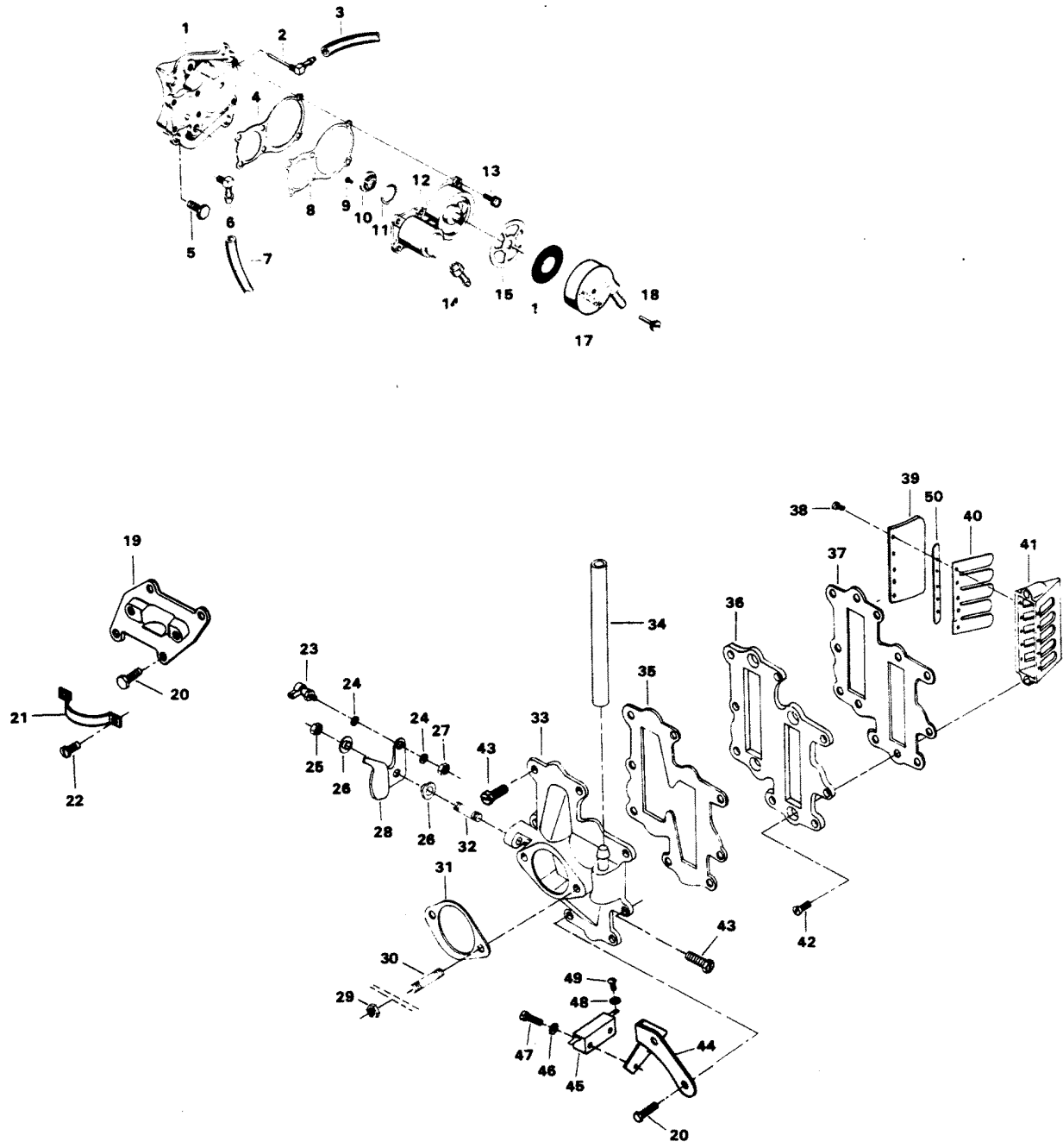
CARBURETOR



CARBURETOR

REF. NO.	PART NO.	SYM.	QTY.	DESCRIPTION
44	FO13946		1	IDLE MIXTURE SCREW
45	FO11103		1	IDLE MIXTURE SCREW SPRING
46	F500061-1		2	CARBURETOR COMPLETE (WB24B)
47	FO13194		1	MAIN FUEL JET. STD. .080 SEA LEVEL - 1500 FT.
-	FO14306		-	MAIN FUEL JET. OPT. .0785 1500 FT. - 3000 FT.
-	FO13191		-	MAIN FUEL JET. OPT. .076 3000 FT. - 4500 FT.
-	FO14303		-	MAIN FUEL JET. OPT. .074 4500 FT. - 6000 FT.
-	FO15026		-	MAIN FUEL JET. OPT. .072 6000 FT. & UP
48	FO9678		1	CLIP, CHOKE SHAFT
49	FO992		1	LOCKWASHER
50	FO1974		1	SCREW
51	FO17181		1	IDLE TUBE
52	FA178233		1	THROTTLE TIE BAR W/SWIVEL
-	F85033		1	SWIVEL, CHOKE ROD (BOTTOM CARBURETOR) (NOT SHOWN)
-	FK10000		1	GASKET SET (NOT SHOWN) INCLUDES ALL ITEMS MARKED WITH A DOUBLE ASTERISK (**)
53	FK10005		1	REPAIR PARTS KIT. INCLUDES ALL ITEMS MARKED WITH AN ASTERISK (*).

FUEL PUMP AND REED PLATE

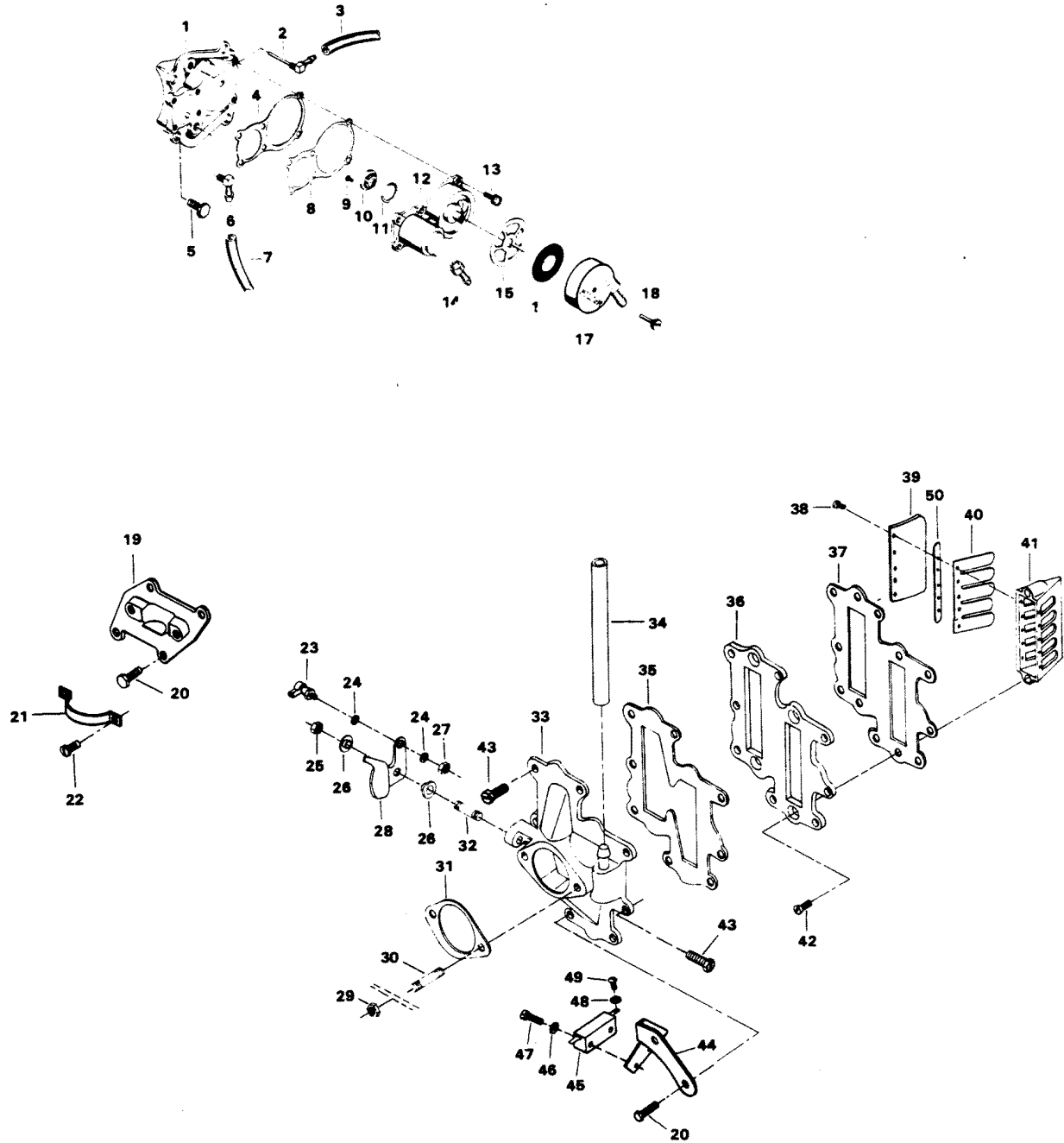


FUEL PUMP AND REED PLATE

REF. NO.	PART NO.	SYM.	QTY.	DESCRIPTION
1	FA439746		1	FUEL PUMP COVER W/LITERATURE
2	F404314		1	ELBOW, FUEL PUMP COVER
3	F441754-1		1	HOSE
4	F438760		1	FUEL PUMP GASKET
5	F1922		4	HEX CAP SCREW, 1/4 - 20 X 5/8
6	F84314-2		1	ELBOW
7	F89758		1	FUEL PUMP AIR HOSE - TOP
8	F438747		1	FUEL PUMP DIAPHRAGM
9	F1860		2	RD HD SCREW, 6 - 32 X 1/4
10	F177330		3	FUEL PUMP VALVE
11	F84792		1	GASKET, CENTER FUEL PUMP VALVE
12	FA438431		1	FUEL PUMP BODY W/ILLUS. 9, 10 AND 11
13	F1108		6	FILL HD SCREW, 1/4 - 20 X 3/4
14	F438801		1	FITTING
15	F438617		1	FUEL SEDIMENT BOWL GASKET
16	F438653		1	FUEL SEDIMENT BOWL SCREEN
17	F438500		1	FUEL SEDIMENT BOWL
18	F438165		1	SCREW, FUEL PUMP BOWL
19	F372958		1	CHOKE BRACKET
20	F1532		6	HEX HD SCREW, 1/4 - 20 X 1
21	F85317-1		1	SOLENOID CLAMP
22	F1236		2	SCREW, 1/4 - 20 X 1/2
23	817747--1		1	BALL JOINT W/STUD
24	F8058		2	INTERNAL TOOTH LOCKWASHER
25	F1910		1	STOP NUT, 1/4 - 20
26	F269319		2	THROTTLE CAM BEARING
27	F1513		1	HEX NUT, 10 - 32
28	F85192-1		1	THROTTLE CAM
29	F1515		4	HEX NUT, 5/16 - 18
30	F40209		4	CARBURETOR STUD
31	F85906		2	CARBURETOR GASKET
32	F433209-1		1	THROTTLE CAM STUD
33	FA178167		1	CARBURETOR ADAPTER, LOWER W/FITTING AND ILLUS. 30
-	FA178157		1	CARBURETOR ADAPTER, UPPER W/FITTING AND ILLUS. 30 (NOT SHOWN)
34	32-77653-77		1	BALANCE TUBE W/LITERATURE ORIGINAL FORCE P/N A 178254-1
35	F178168-1		2	GASKET, CARBURETOR ADAPTER
36	F178404-1		2	DEFLECTOR PLATE
37	F406406		2	GASKET DEFLECTOR PLATE
38	F1755		40	ROUND HD SCREW W/LOCKWASHER, 6 - 32 X 1/4
39	F85161-1		8	REED STOP
40	F530160		8	REED (5 PETAL)
41	F3A523158		4	REED PLATE W/ILLUS. 38, 39, 40, 43 AND 50

CONTINUED ON NEXT PAGE ➡

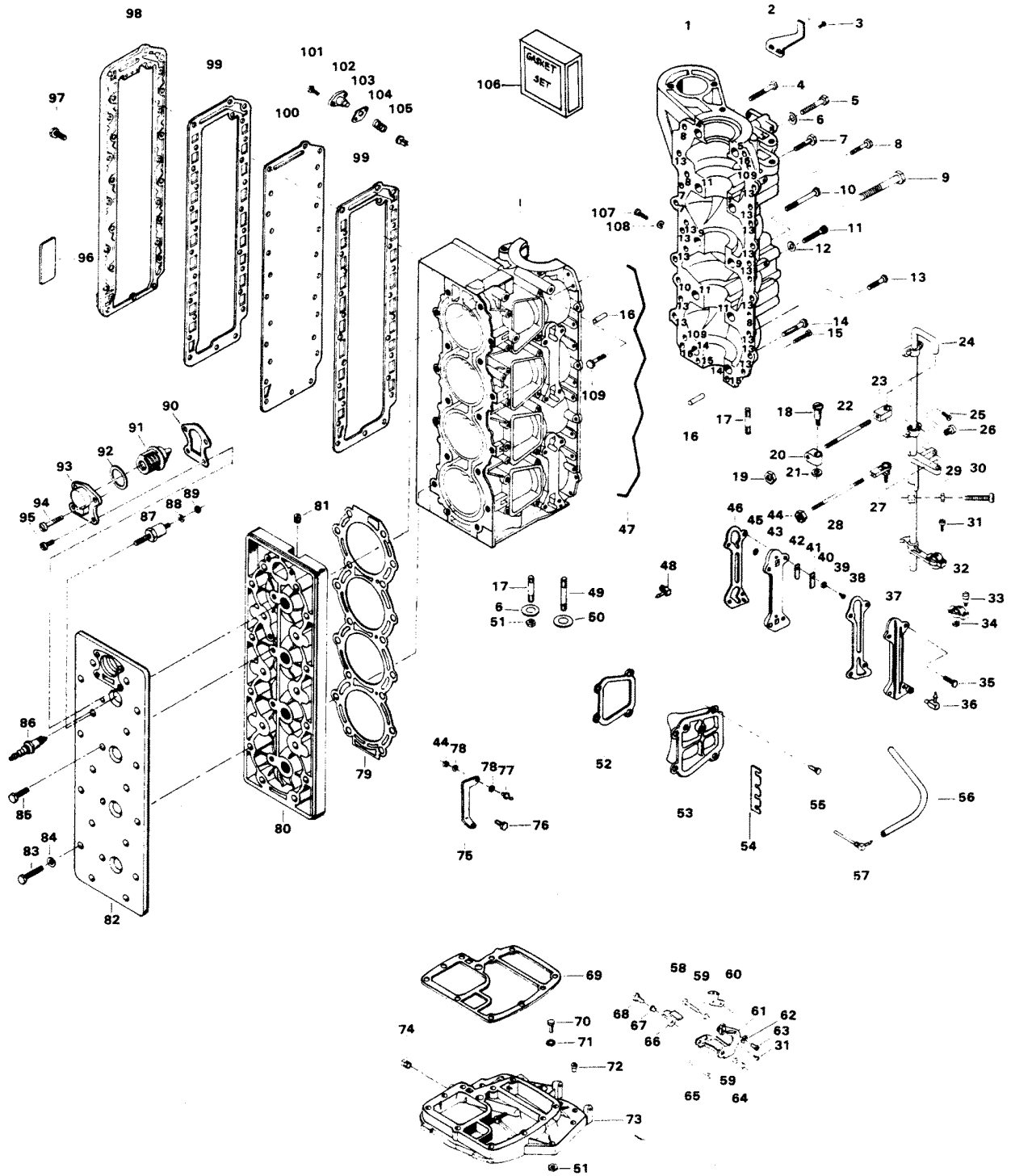
FUEL PUMP AND REED PLATE



FUEL PUMP AND REED PLATE

REF. NO.	PART NO.	SYM.	QTY.	DESCRIPTION
42	F1831		8	FLAT HD SCREW, 1/4 - 20 X 5/8
43	F2008		10	HEX HD SCREW, 1/4 - 20 X 7/8
44	F489551		1	BRACKET NEUTRAL INTERLOCK SWITCH
45	F84449		1	INTERLOCK SWITCH
46	F8088		2	PLAIN WASHER
47	F2016		2	FILL HD SCREW, 6 - 32 X 7/8
48	F1704		2	INTERNAL TOOTH LOCKWASHER
49	F1645		2	RD HD SCREW, 6 - 32 X 1/4
50	F523451		8	SPACER, REED STOP

POWER HEAD

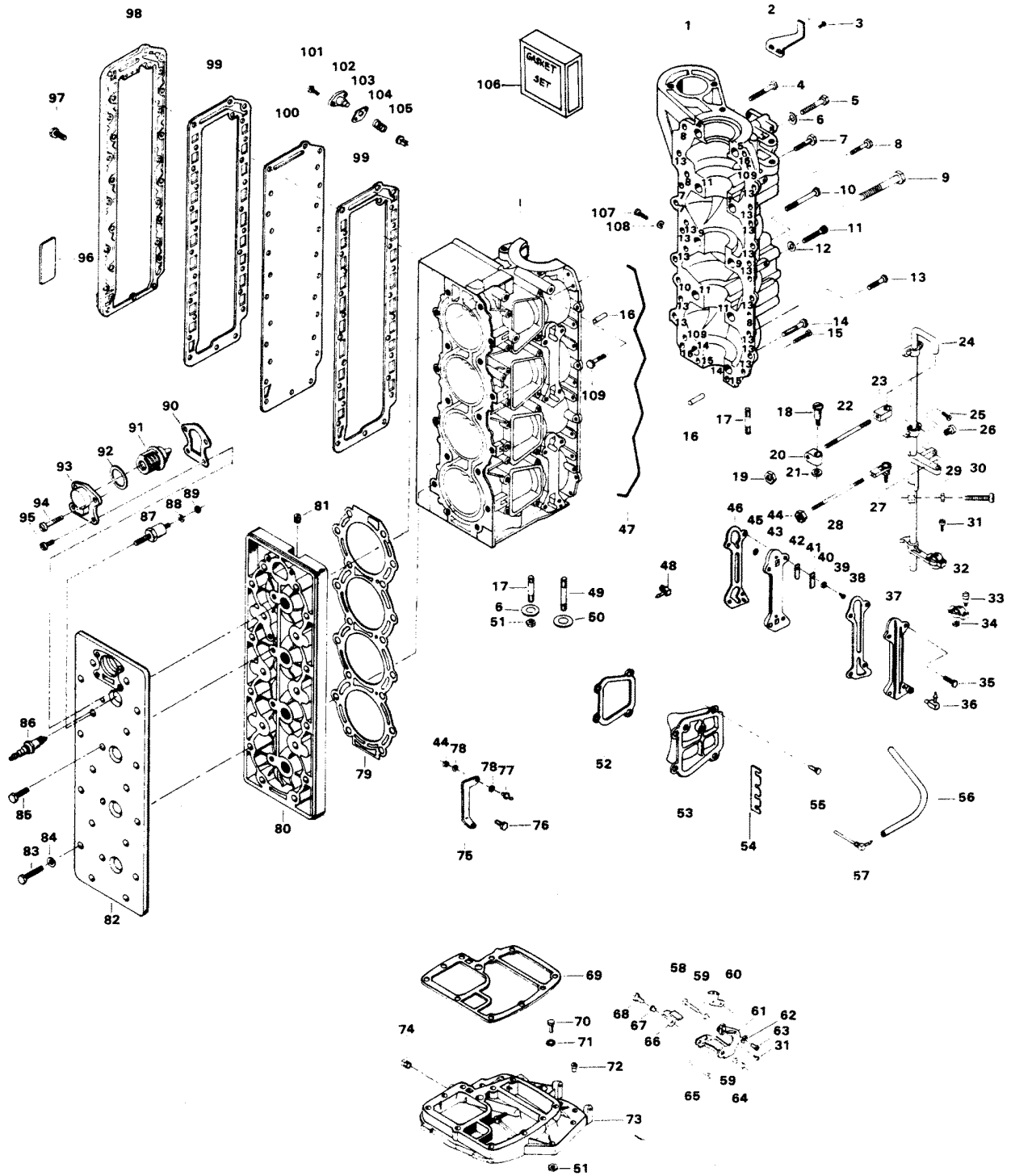


POWER HEAD

REF. NO.	PART NO.	SYM.	QTY.	DESCRIPTION
1	A523010-1		1	CYLINDER W/CRANKCASE COVER ILLUS. 4, 5, 9, 11, 14, 15, 17, 47, 49 AND LITERATURE ORIGINAL FORCE P/N A 523010-2
-	FC552010		1	SHORT BLOCK. ALSO REFER TO CRANKSHAFT PAGE. INCLUDES ALL ITEMS MARKED WITH AN ASTERISK (*).
2	FA480894		1	TIMING POINTER W/ILLUS. 55 ON PAGE 4 AND LITERATURE
3	F1760		2	PAN HD SCREW, 10 - 24 X 3/8
4	F1874		1	HEX HD SCREW, 3/8 - 16 X 3 1/8
5	F1009		1	HEX HD SCREW, 3/8 - 16 X 2 3/4
6	F8095		6	PLAIN WASHER
7	F2008		2	HEX HD SCREW, 1/4 - 20 X 7/8
8	F2008		3	HEX HD SCREW, 1/4 - 20 X 7/8
9	F1873		2	HEX CAP SCREW, 3/8 - 16 X 3
10	F1699		1	HEX HD SCREW, 1/4 - 20 X 1-1/8
11	F1253		4	HEX SOCKET HD CAP SCREW, 3/8 - 16 X 2
12	F8104		4	PLAIN WASHER
13	F1864		16	HEX HD SCREW, 1/4 - 20 X 3/4
14	F1872		2	HEX CAP SCREW, 3/8 - 16 X 1-3/4
15	F1099		2	FILL HD SCREW, 1/4 - 20 X 1-1/4
16	F8563		2	DOWEL PIN
17	F85859		4	STUD
18	F85026		1	SWIVEL
19	F2015		1	HEX NUT, 1/4 - 28
20	F85035		1	DISTRIBUTOR, CONTROL ROD END
21	F2042		1	PLAIN WASHER
22	F85445		1	CONTROL ROD
23	F85036		1	TOWERSHAFT CONTROL ROD END
24	817932A6		1	TOWERSHAFT W/ILLUS. 20, 21, 22, 23, 25, AND BEARINGS ORIGINAL FORCE P/N A 178838-6
25	F1475		4	FILL HD SCREW, 10 - 24 X 1/2
26	F1727		1	PLASTIC RIVET
27	817747--1		1	BALL JOINT W/STUD
28	F85502		1	THROTTLE LINK
29	F1341		1	HEX NUT, 1/4 - 20
30	F1052		1	FILL HD SCREW, 1/4 - 20 X 1
31	F1556		2	FILL HD SCREW W/LOCKWASHER, 10 - 24 X 3/8
32	FK405020		2	SWIVEL W/ILLUS. 7 AND 10
33	F405457		1	PIVOT SCREW
34	F7008		1	ELASTIC STOP NUT
35	F1532		8	HEX HD SCREW, 1/4 - 20 X 1
36	22-818103--1		1	ELBOW, CYLINDER DRAIN LOWER
-	F404801		1	ELBOW, CYLINDER DRAIN UPPER (NOT SHOWN)
37	F406471-1		2	CYLINDER DRAIN COVER
38	F84472-5		2	GASKET, CYLINDER DRAIN COVER

CONTINUED ON NEXT PAGE ➡

POWER HEAD

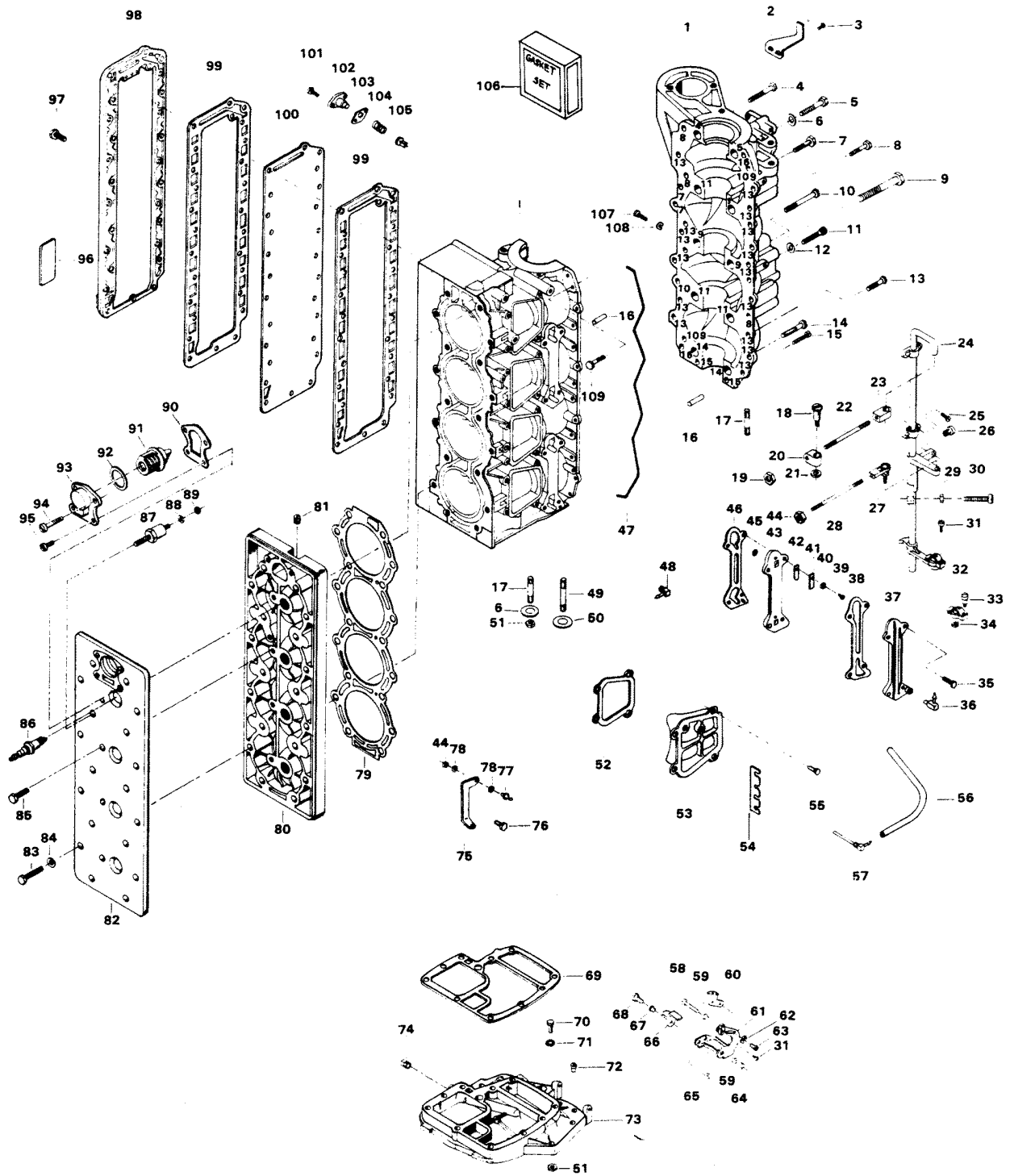


POWER HEAD

REF. NO.	PART NO.	SYM.	QTY.	DESCRIPTION
39	F1286		4	PAN HD SCREW, 4 - 40 X 3/16
40	F8003		4	PLAIN WASHER
41	F93920		4	REED STOP
42	F18160-2		4	CYLINDER DRAIN REED
43	F2A406757		2	CYLINDER DRAIN REED PLATE W/ILLUS. 39, 40, 41, 42 AND 45
44	F1513		4	HEX NUT, 10 - 32
45	F93811		4	SCREEN
46	F84748-3		2	GASKET
47	F184122-1		1	SEAL, PARTING LINE
48	F84314-2		1	ELBOW
49	F85211		6	STUD
50	F8038		4	PLAIN WASHER
51	F7004		10	STOP NUT, 3/8 - 16
52	F40223		4	GASKET, TRANSFER PORT COVER
53	FA411222		3	TRANSFER PORT COVER W/ILLUS. 81
54	F523834		1	CLIP, SPARK PLUG WIRE
55	F1922		10	HEX CAP SCREW, 1/4 - 20 X 5/8
56	F406754-1		1	HOSE
57	F404314		1	FITTING
58	F1885		1	HEX BOLTS, S.S., 5/16 - 18 X 4-1/4
59	F85610		2	BEARING
60	F480107-1		1	CAM STARTER INTERLOCK
61	FA480876		1	GEAR SHIFT ARM W/ILLUS. 32, 59, 65, 66, 67 AND 68
62	F2042		2	PLAIN WASHER
63	F2089		2	SLOTTED PAN HD M. SCREW, 10 - 24 X 5/16
64	F2108		1	STOP NUT, 5/16 - 18
65	F1832		1	STOP NUT, 1/4 - 20
66	F369977-1		1	INTERLOCK ARM
67	F369610		1	BEARING
68	F369887		1	SHOULDER SCREW
69	F85279-2		1	GASKET, CYLINDER EXHAUST UPPER
70	F1869		6	HEX CAP SCREW, 3/8 - 16 X 1-1/4
71	F1703		6	LOCKWASHER
72	F40689-1		1	BEARING
73	817788A3		1	SPACER PLATE W/PLUG
74	F2090		1	PLUG
75	FS85872-1		1	BRACKET W/ILLUS. 54
76	F1864		2	HEX CAP SCREW, 1/4 - 20 X 3/4
77	F98273		2	ROD END CONNECTOR STUD
78	F8058		4	INTERNAL TOOTH LOCKWASHER
79	F476529-1		1	CYLINDER HEAD GASKET
80	900-817832A2		1	CYLINDER HEAD W/ILLUS. 81 AND LITERATURE ORIGINAL FORCE P/N A 501518-1

CONTINUED ON NEXT PAGE ➡

POWER HEAD

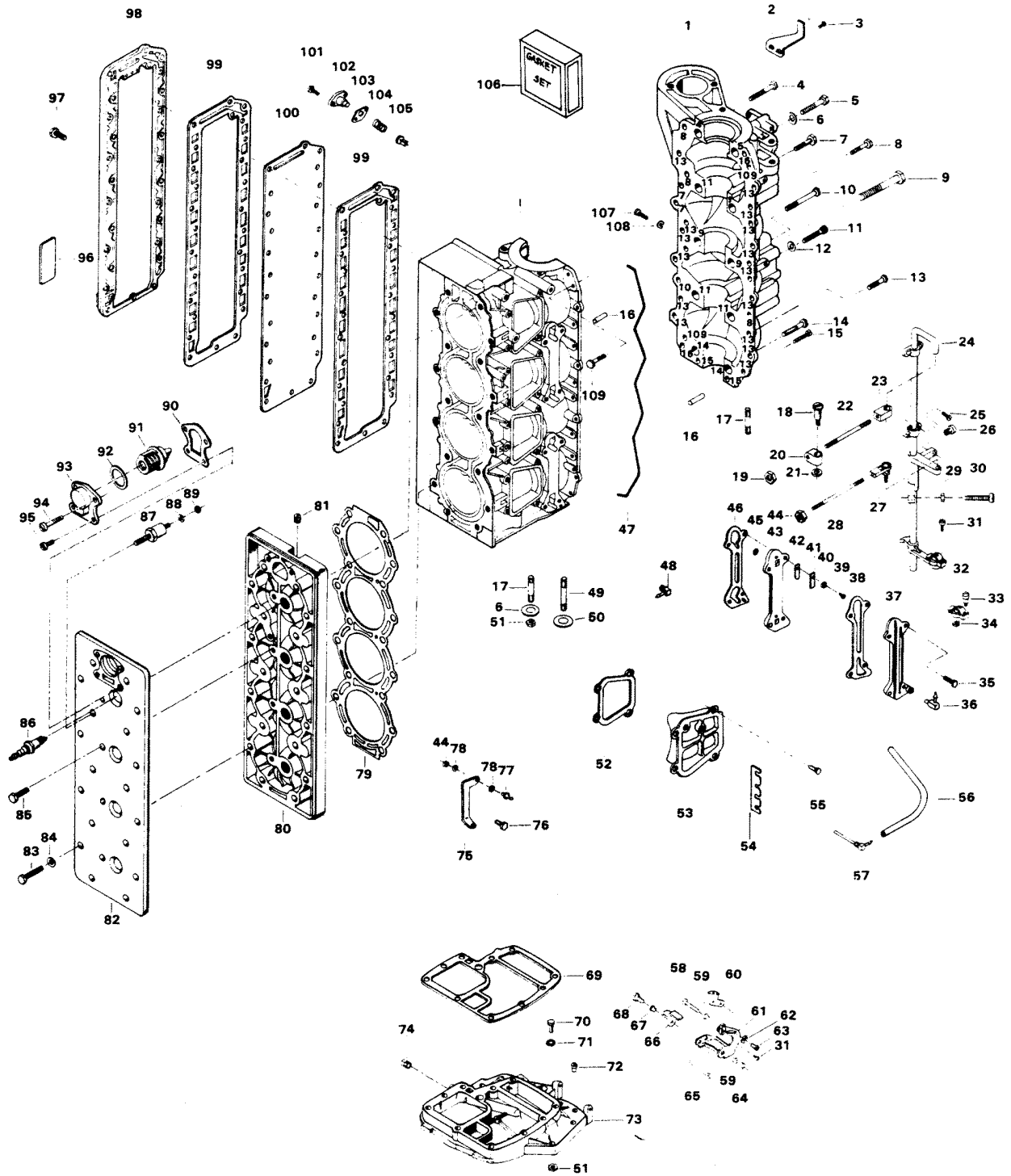


POWER HEAD

REF. NO.	PART NO.	SYM.	QTY.	DESCRIPTION
81	F19109		1	PLUG
82	F528995		1	COVER, CYLINDER HEAD
83	F2049		18	HEX CAP SCREW, 5/16 - 18 X 2-5/8
84	F1987		18	PLAIN WASHER
85	F2008		4	HEX CAP SCREW, 1/4 - 20 X 7/8
86	33-97180		4	SPARK PLUG (CHAMPION L20V) - USA
-	C523227		4	SPARK PLUG (CHAMPION QL-76V) - CANADA
87	87-817778A1		1	THERMOSWITCH W/ILLUS. 88 AND 89 ORIGINAL FORCE P/N A 335449-1
88	F8056		1	LOCKWASHER
89	F1647		1	HEX NUT, 8 - 32
90	F476067		1	GASKET
91	F528068		1	THERMOSTAT
92	F84504		1	GROMMET (THERMOSTAT)
93	F476066-1		1	THERMOSTAT COVER
94	F1099		2	FILL HD SCREW, 1/4 - 20 X 1-1/4
95	F1107		2	SLOTTED FILL HD CAP SCREW, 1/4 - 20 X 3/4
96	F438398-1		1	DECAL, WIRING - USA
-	FC438398		1	DECAL, WIRING - CANADA
97	F1916		27	HEX BOLT, 1/4 - 20 X 1-1/8
98	F372152-1		1	EXHAUST PORT COVER
99	F372154-1		2	GASKET, EXHAUST PORT PLATE
100	F372151-1		1	EXHAUST PORT PLATE
101	F1950		2	HEX CAP SCREW, 10 - 24 X 5/8
102	F438066		1	BY-PASS VALVE COVER
103	F85762		1	BY-PASS VALVE COVER GASKET
104	F404268		1	BY-PASS VALVE SPRING
105	F85916-1		1	BY-PASS VALVE
106	FG1019		1	GASKET SET INCLUDE ITEMS BELOW
-	F40223		4	GASKET, TRANSFER PORT COVER
-	F84472-5		2	GASKET, CYLINDER DRAIN COVER
-	F84748-3		2	GASKET, CYLINDER DRAIN REED PLATE
-	F85279-2		1	GASKET, CYLINDER EXHAUST, UPPER
-	F85762		1	GASKET, BY-PASS VALVE
-	F85906		2	GASKET, CARBURETOR
-	F178168-1		2	GASKET, CARBURETOR ADAPTER
-	F184122-1		1	PARTING LINE SEAL
-	F372154-1		2	GASKET, EXHAUST PORT PLATE
-	F406406		2	GASKET, DEFLECTOR PLATE
-	F476067		1	GASKET, THERMOSTAT COVER
-	F476529-1		1	GASKET, CYLINDER HEAD
-	F440906		2	GASKET, CARBURETOR
107	F2000		1	HEX CAP SCREW, 5/16 - 18 X 3/4

CONTINUED ON NEXT PAGE ➡

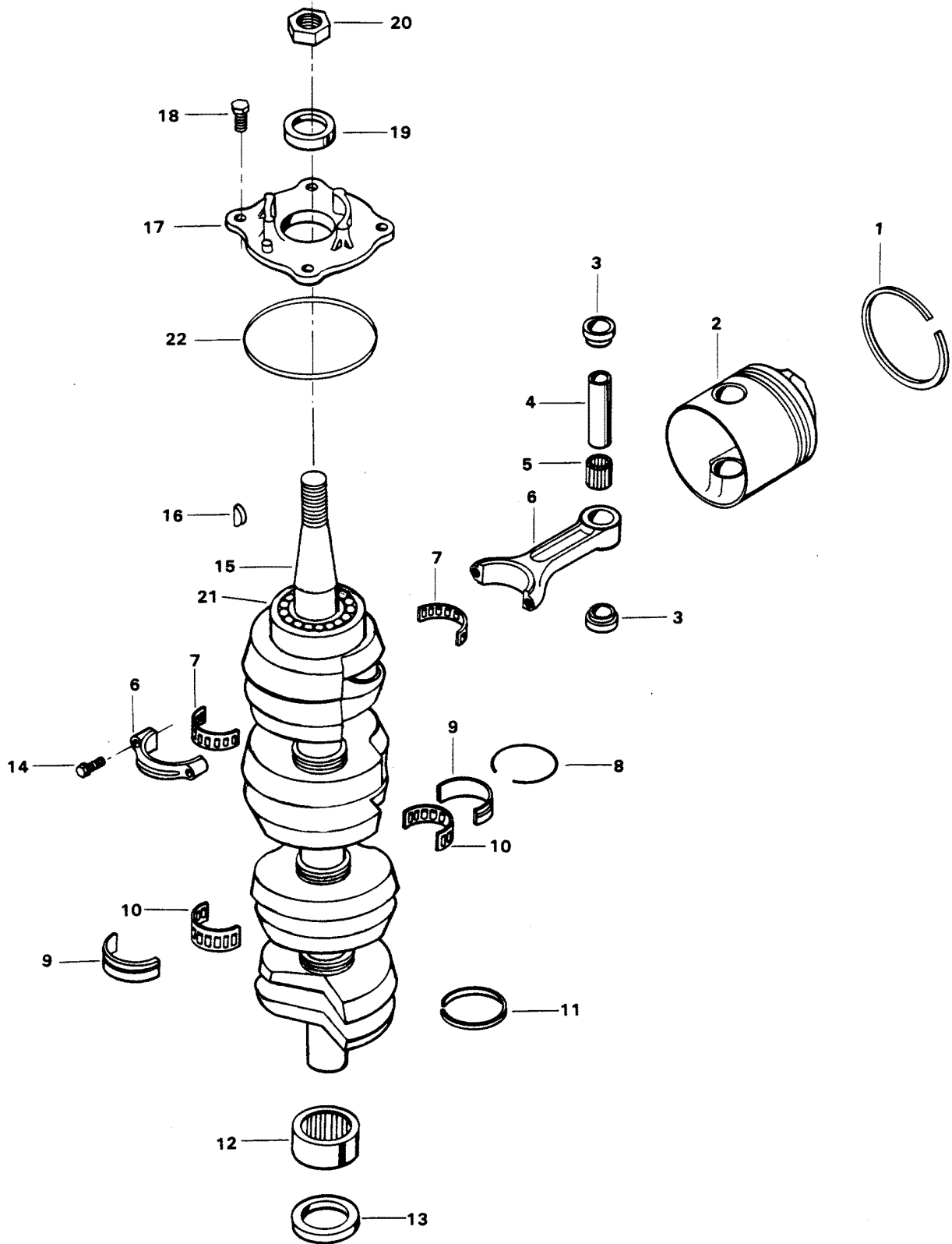
POWER HEAD



POWER HEAD

REF. NO.	PART NO.	SYM.	QTY.	DESCRIPTION
108	F8096		1	SPRING LOCKWASHER
109	F1532		2	HEX HD SCREW, 1/4 - 20 X 1

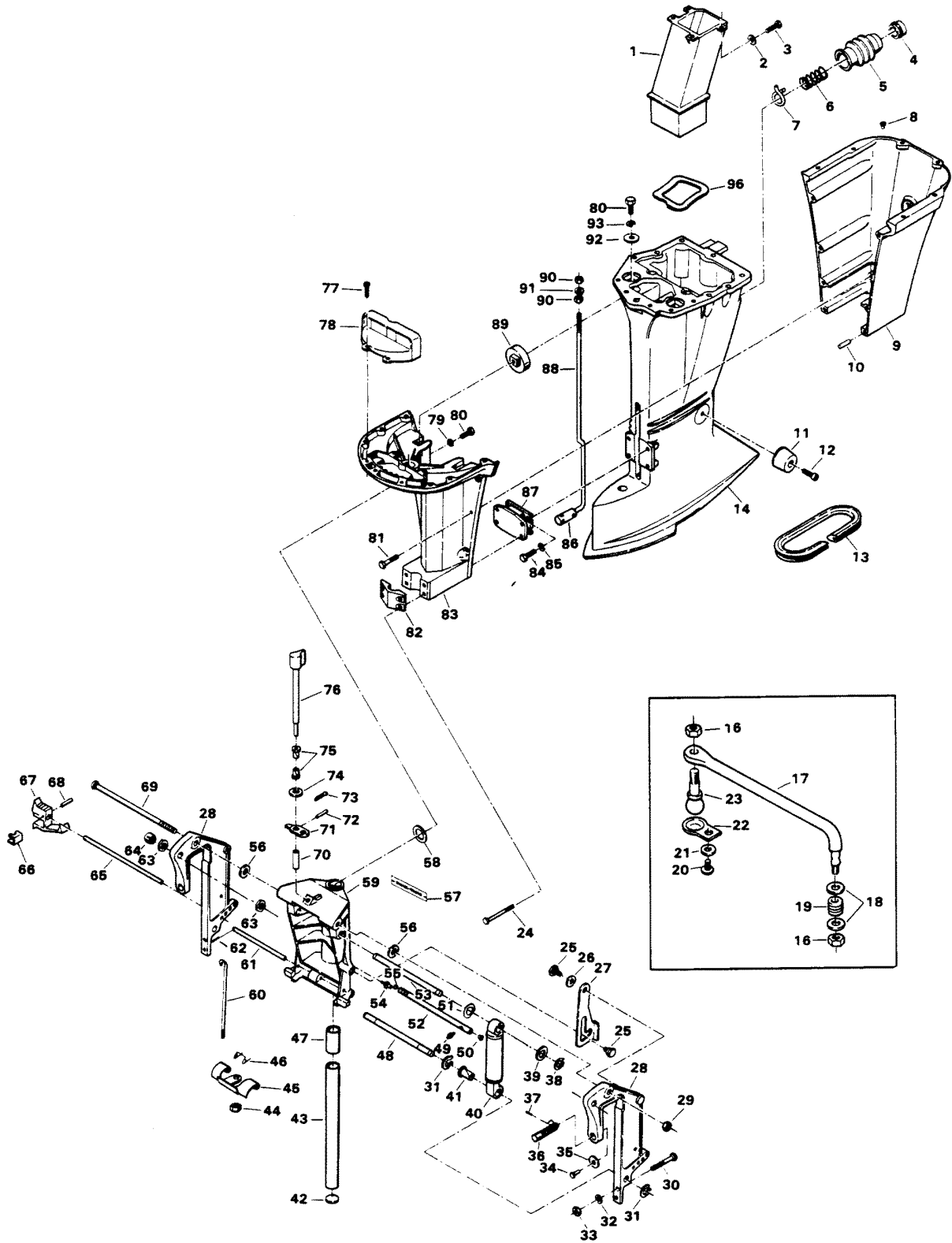
CRANKSHAFT AND PISTON GROUP



CRANKSHAFT AND PISTON GROUP

REF. NO.	PART NO.	SYM.	QTY.	DESCRIPTION
1	FA335260		4	PISTON RING SET (3 PER SET)
-	FSA335260		4	PISTON RING (3 PER SET) .010 OVERSIZE (NOT SHOWN)
-	39-818110A1		4	PISTON RING (3 PER SET) .030 OVERSIZE (NOT SHOWN)
2	700-F372015-3		4	PISTON
-	700-817988A2		4	PISTON .010 OVERSIZE (NOT SHOWN)
-	700-818111A2		4	PISTON .030 OVERSIZE (NOT SHOWN)
3	F335215		8	SPACER, PISTON PIN (2 PER PISTON)
4	F85017		4	PISTON PIN
5	F335217-1		4	BEARING, PISTON PIN (26 PER SET)
6	600-818052A4		4	CONNECTING ROD W/CAP AND ILLUS. 14 ORIGINAL FORCE P/N S 366016-4
7	FK85228-1		4	BEARING CAGE W/ROLLER
8	F85410		3	SNAP RING
9	FA85655-1		3	CRANKSHAFT MAIN BEARING RACE W/ILLUS. 8
10	F85571		3	BEARING CAGE W/ROLLER
11	F316579		3	SEAL, CRANKCASE
12	FA523014		1	CRANKSHAFT LOWER MAIN BEARING W/ITEM 13
13	F523146		1	SEAL, CRANKSHAFT LOWER
14	F85634-2		8	CONNECTING ROD SCREW
15	400-817735A4		1	CRANKSHAFT W/ILLUS. 21 ORIGINAL FORCE P/N A 178018-4
16	F85498		1	FLYWHEEL KEY
17	31-817785A2		1	CRANKSHAFT BEARING CAGE W/ILLUS. 19 ORIGINAL FORCE P/N A 373144-2
18	F1867		4	HEX CAP SCREW, 3/8 - 16 X 1
19	F84146-2		1	SEAL
20	F1968		1	FLYWHEEL NUT
21	F284659-2		1	BEARING, CRANKSHAFT UPPER MAIN
22	F84278		1	SEAL
-	F2067		1	PLASTISOL CAP (NOT SHOWN) FOR EXPOSED THREADS OF CRANKSHAFT

MOTOR LEG

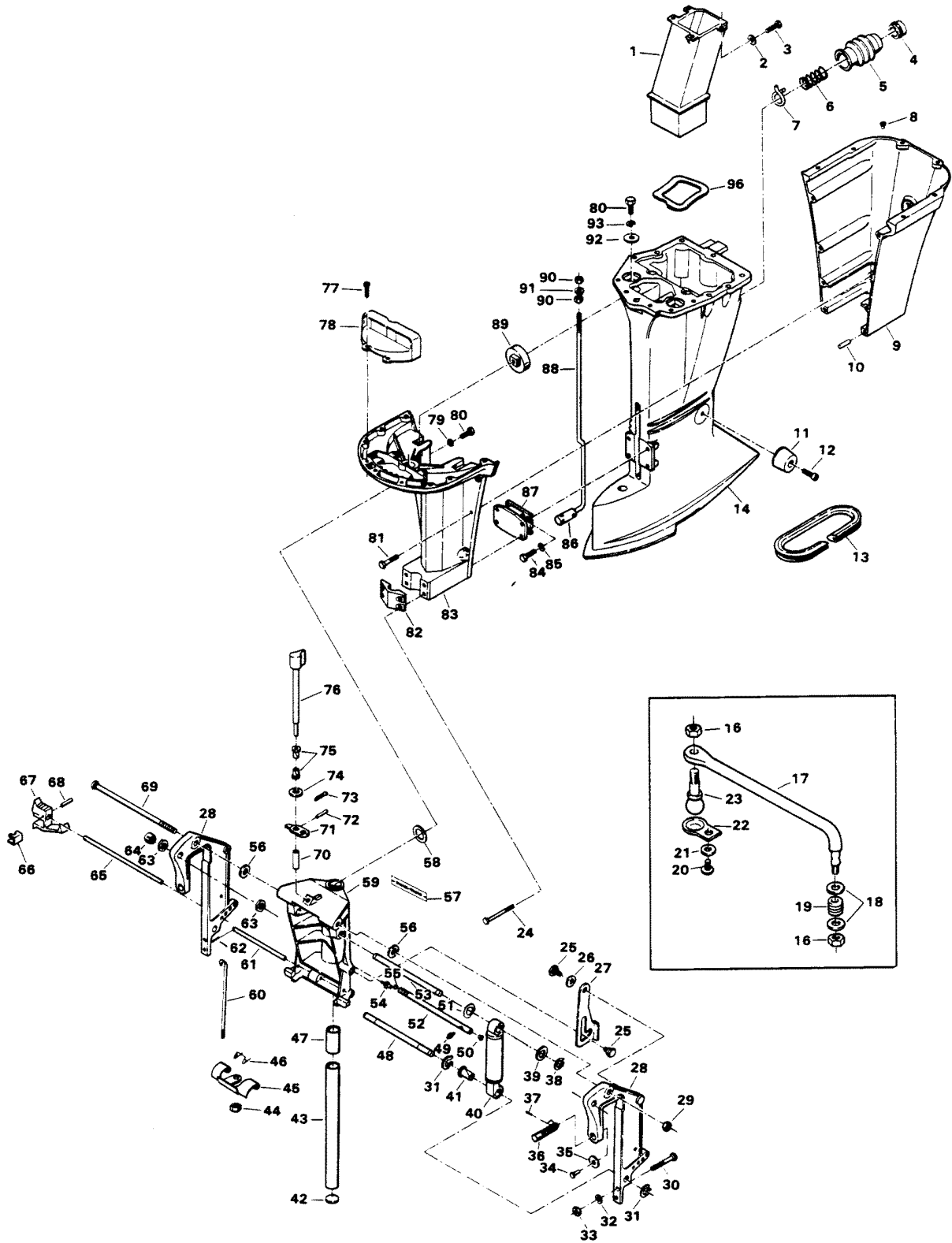


MOTOR LEG

REF. NO.	PART NO.	SYM.	QTY.	DESCRIPTION
1	F85660-1		1	EXHAUST TUBE
2	F8083		4	SPRING LOCKWASHER
3	F1705		4	HEX SLOT HD SCREW, 1/4 - 20 X 3/4
4	F85258		1	INSERT
5	F85130		1	BOOT IDLE EXHAUST
6	F85380		1	SPRING
7	F85772		1	CLAMP
8	F1729		2	PLUG
9	F178145-3		1	MOTOR LEG COVER, REAR
10	F1664		2	SPRING PIN
11	F438962		2	SHOCK MOUNT LOWER REAR
12	F1263		2	HEX SOCKET HD CAP SCREW, 5/16 - 18 X 9/16
13	F178323		1	SEAL, MOTOR LEG
14	F523133-2		1	MOTOR LEG
16	F2093		2	STOP NUT
17	F523881-2		1	LINK STEERING
18	F8038		2	PLAIN WASHER
19	F523300-1		1	SPRING
20	F1280		1	PAN HD SCREW
21	F8080		1	HELICAL SPRING LOCKWASHER
22	F523930		1	RETAINER STUD
23	F523273		1	STUD STEERING BALL
24	F1696		4	HEX BOLT, 5/16 - 18 X 1-3/4
25	F85350-1		2	TILT STOP PIVOT
26	F1666		1	SPRING BOWED WASHER
27	F85541-1		1	TILT LOCK
28	1400-817958A6		2	STERN BRACKET
29	F7012		1	STOP NUT
30	F1593		2	HEX HD SCREW, 3/8 - 16 X 3
31	F178173		4	RETAINING RING
32	F1904		2	PLAIN WASHER
33	F1346		2	HEX NUT
34	F353480		2	STUD
35	F84074		2	CLAMP SCREW FOOT
36	F474073-1		2	CLAMP SCREW
37	F8538		2	SPRING PIN
38	F178208		2	RETAINING RING
39	F1710		2	PLAIN WASHER
40	FA178962		2	SHOCK ABSORBER W/BUSHING
41	F178362		2	BEARING
42	F1528		1	WELCH PLUG
43	FA85019		1	KINGPIN W/ILLUS. 42
44	F1669		1	LOCK NUT

CONTINUED ON NEXT PAGE ➡

MOTOR LEG

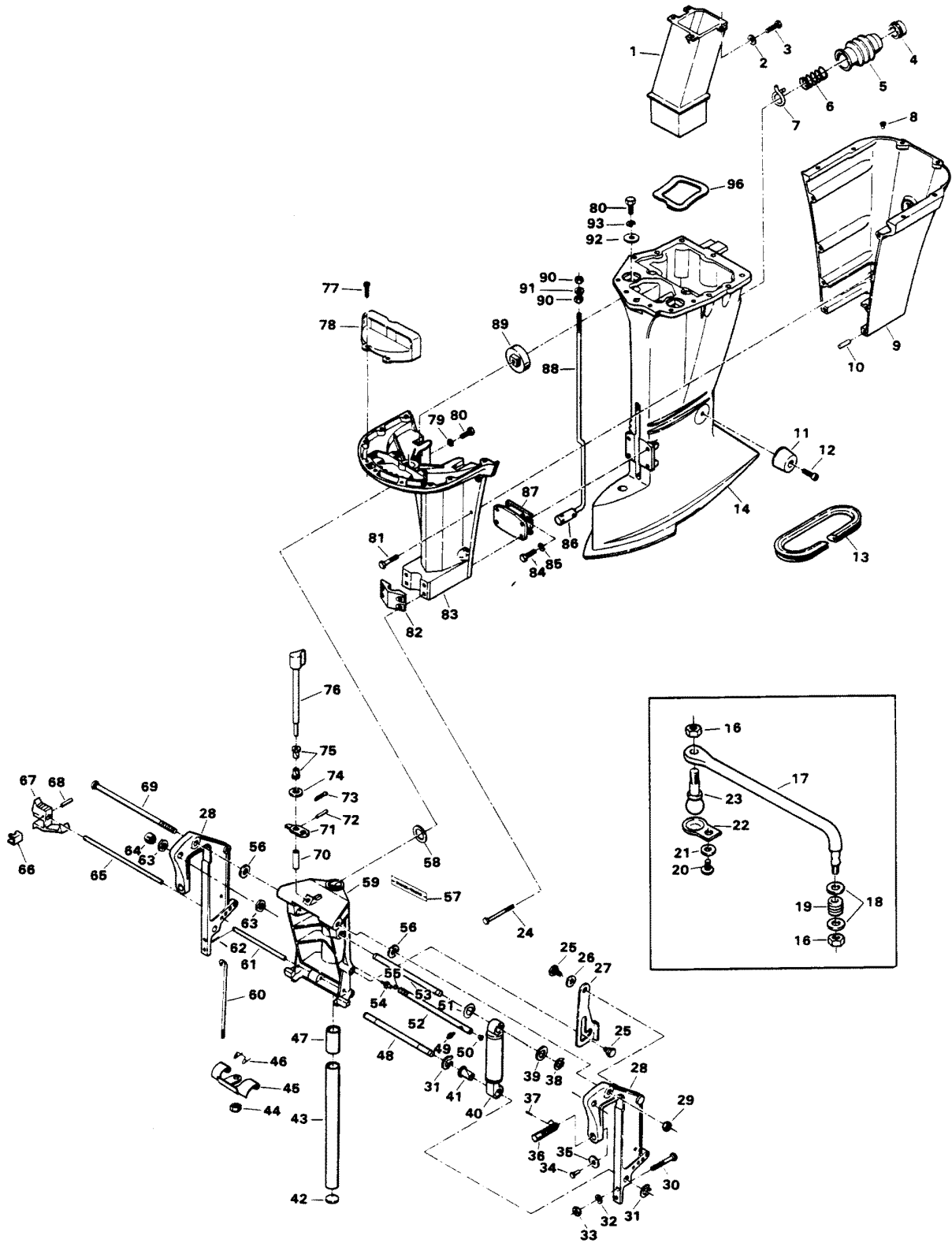


MOTOR LEG

REF. NO.	PART NO.	SYM.	QTY.	DESCRIPTION
45	F369349		1	REVERSE LOCK
46	F85300		1	REVERSE LOCK SPRING
47	F438169		2	BEARING
48	F178632		1	SHAFT, SHOCK MOUNT LOWER
49	F523274		1	GREASE FITTING
50	F9052		1	PLUG
51	F1711		2	SPRING BOWED WASHER
52	F511125-2		1	TUBE, STEERING SUPPORT
53	F178889		1	SHAFT, SHOCK MOUNT UPPER
54	F213274		3	GREASE FITTING
55	F316599		1	SEAL, STEERING SUPPORT TUBE
56	F84286-1		4	FRICITION WASHER
57	F529390		1	DECAL, REVERSE LOCK - USA
-	FC529390		1	DECAL, REVERSE LOCK - CANADA (NOT SHOWN)
58	F84011		1	WASHER
59	817783A5		1	SWIVEL BRACKET W/ILLUS. 47 AND 54 ORIGINAL FORCE P/N A 369072-2
60	F369510		1	LINK REVERSE LOCK
61	F177350		1	REVERSE LOCK PIN
62	F1744		1	SPRING PIN
63	F523280		1	NUT, STEERING SUPPORT TUBE
64	F9018		1	CAP
65	FA438113		1	STERN BRACKET LOCK BAR W/ILLUS. 66, 67 AND 68
66	F286461		1	SPRING, LOCK BAR HANDLE
67	F433114		1	HANDLE, LOCK BAR
68	F1744		1	SPRING PIN
69	F85037-1		1	STERN BRACKET PIVOT BOLT
70	F483884		1	BEARING
71	F369364		1	REVERSE LOCK ARM
72	F1836		1	SPRING PIN
73	F1014		1	COTTER PIN
74	F8094		1	PLAIN WASHER
75	F197813		2	BEARING
76	F369827		1	HANDLE AND SHAFT
77	F1912		4	HEX HD SCREW, 10 - 24 X 1/2
78	F85779-1		1	BAFFLE, AIR INTAKE
79	F1703		2	SPRING LOCKWASHER
80	F1871		4	HEX HD SCREW, 3/8 - 16 X 3/4
81	F2030		6	HEX HD M. SCREW, 1/4 - 20 X 1-1/4
82	F85606		1	KINGPIN CAP
83	FA85135-4		1	LEG COVER FRONT W/ILLUS. 81
84	F1822		4	HEX BOLT, 5/16 - 18 X 7/8
85	F8096		4	SPRING LOCKWASHER

CONTINUED ON NEXT PAGE ➡

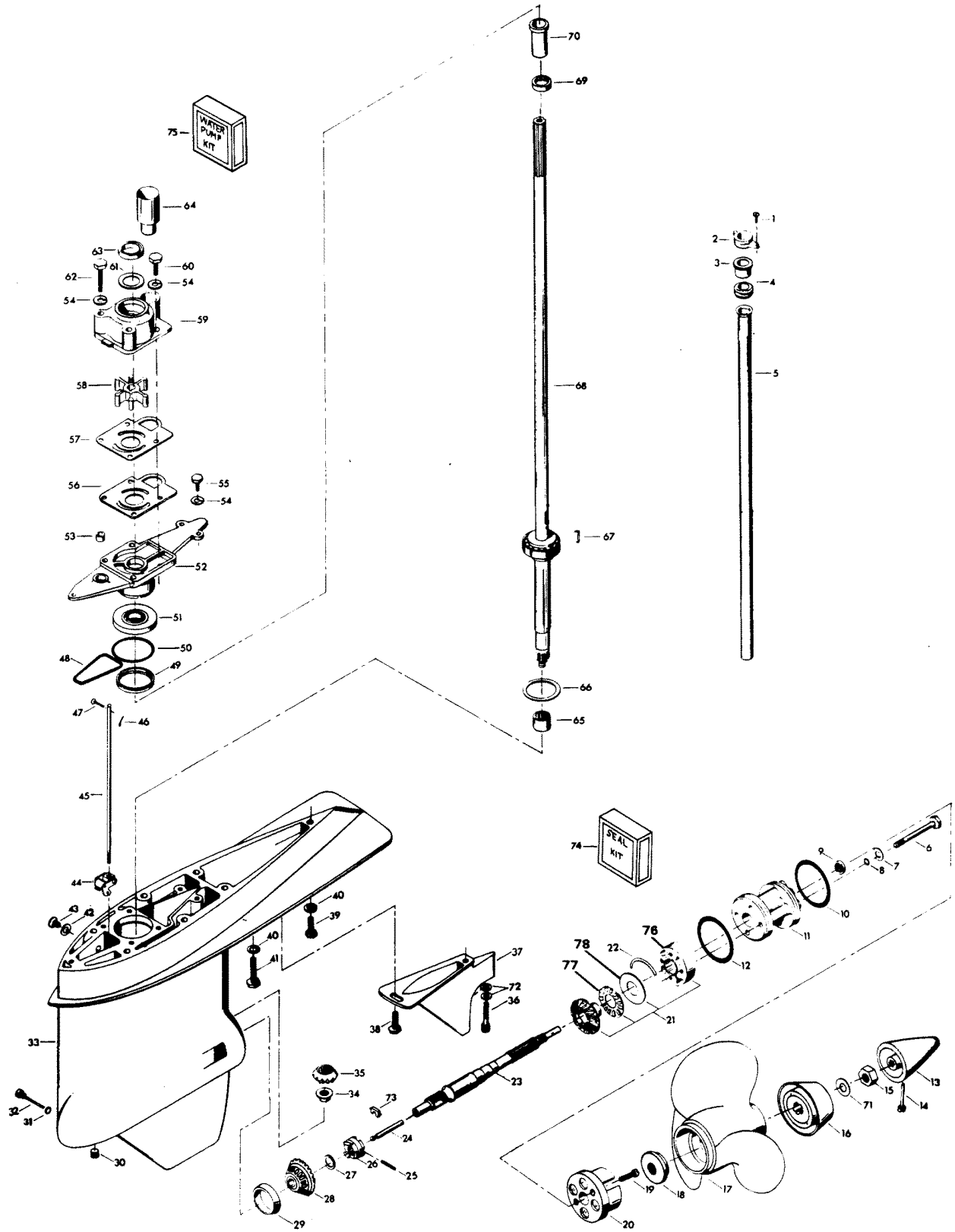
MOTOR LEG



MOTOR LEG

REF. NO.	PART NO.	SYM.	QTY.	DESCRIPTION
86	F85704		1	COUPLER, GEAR SHIFT ROD
87	F438346		1	SHOCK MOUNT LOWER
88	F85615		1	GEAR SHIFT ROD UPPER
89	F85965		2	SHOCK MOUNT UPPER
90	F2108		2	LOCK NUT
91	F1987		1	PLAIN WASHER
92	FA85355-1		2	WASHER WILLUS. 93
93	F2014		2	PLAIN WASHER
94	F439736		1	SEAL, EXHAUST TUBE

GEAR HOUSING

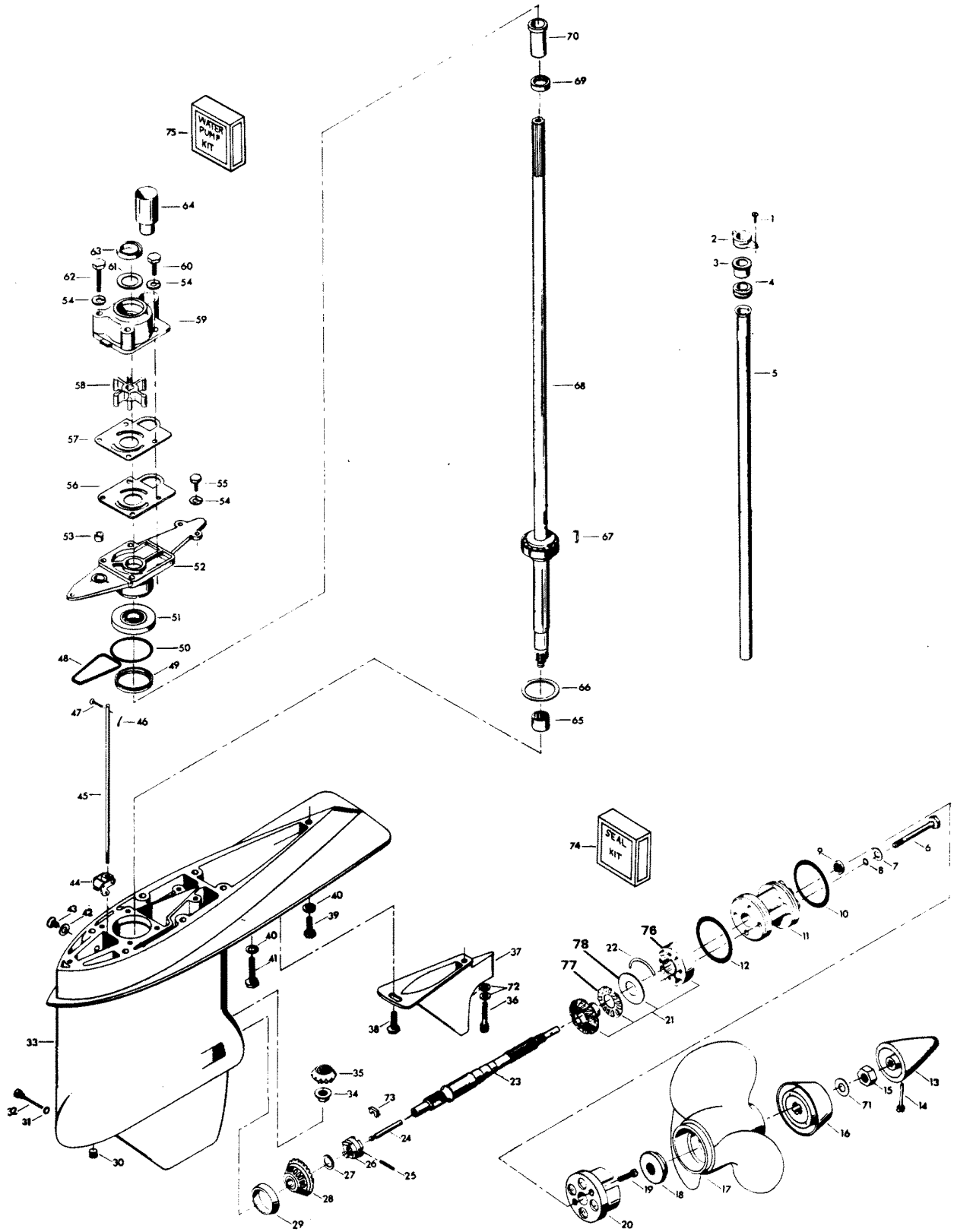


GEAR HOUSING

REF. NO.	PART NO.	SYM.	QTY.	DESCRIPTION
1	F1705		2	HEX CAP SCREW, 1/4 - 20 X 3/4
2	F85117		1	BRACKET, WATER LINE
3	F84342		1	SEAL, INLET WATER LINE, UPPER
4	F523899		1	GROMMET, WATER LINE
5	F523244		1	INLET WATER LINE
6	F1885		4	HEX CAP SCREW, 5/16 - 18 X 4-1/4
7	F1907		4	PLAIN WASHER
8	F50342-1		4	SEAL, O-RING
9	F506118		1	SEAL, PROPELLER SHAFT
10	F24278		1	SEAL, O-RING PROPELLER SHAFT SPOOL
11	F2A523239		1	SPOOL, PROPELLER SHAFT BEARING W/ILLUS. 9
12	F84305		1	SEAL, O-RING PROPELLER SHAFT SPOOL
13	F523094-2		1	PROPELLER NUT
14	F498891		1	PIN, PROPELLER NUT RETAINING
15	F1788		1	STOP NUT
16	F5H119		1	WASHER (ACCESSORY ITEM)
17	FPS524		1	PROPELLER (ACCESSORY ITEM)
18	F523099-1		1	SPACER, PROPELLER
19	F1577		2	FILL HD SCREW, 1/4 - 20 X 3/4
20	FA523485		1	ANTICORROSION ANODE W/LITERATURE
21	F2A523662		1	BEVEL GEAR REAR W/BEARING CAGE SPACER AND BEARING
22	F523411		2	RETAINING RING, BEARING CAGE
23	FA523098		1	PROPELLER SHAFT ASSEMBLY
24	F84871-1		1	PIN, GEAR SHIFT W/YOKE
25	F1713		1	SPRING PIN
26	F84521-1		1	CLUTCH
27	F1936		A/R	SPACER, BEVEL GEAR FRONT .059
-	F1937		A/R	SPACER, BEVEL GEAR FRONT .062
-	F1938		A/R	SPACER, BEVEL GEAR FRONT .065
-	F1939		A/R	SPACER, BEVEL GEAR FRONT .068
-	F1940		A/R	SPACER, BEVEL GEAR FRONT .071
-	F1941		A/R	SPACER, BEVEL GEAR FRONT .074
-	F1942		A/R	SPACER, BEVEL GEAR FRONT .077
-	F2113		A/R	SPACER, BEVEL GEAR FRONT .080
-	F2114		A/R	SPACER, BEVEL GEAR FRONT .083
-	F2115		A/R	SPACER, BEVEL GEAR FRONT .086
-	F2116		A/R	SPACER, BEVEL GEAR FRONT .089
-	F2121		A/R	SPACER, BEVEL GEAR FRONT .057
-	F2122		A/R	SPACER, BEVEL GEAR FRONT .054
28	F2A523023		1	BEVEL GEAR FRONT W/BEARING AND SHIMS
29	F523813		1	BEARING CUP
30	F19109		1	PLUG

CONTINUED ON NEXT PAGE ➡

GEAR HOUSING

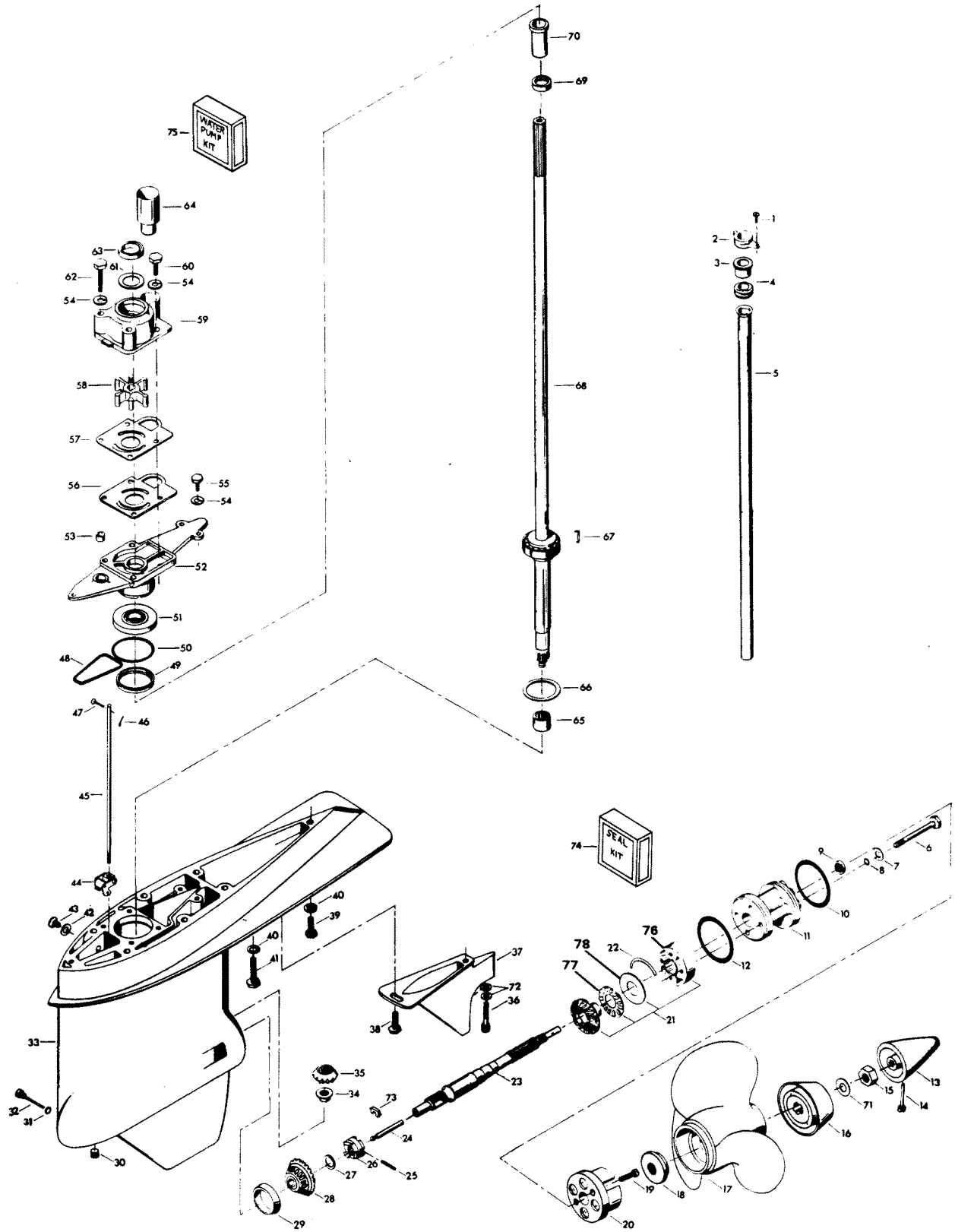


GEAR HOUSING

REF. NO.	PART NO.	SYM.	QTY.	DESCRIPTION
31	F498618		1	SEAL
32	F498891		1	PIN, GEAR SHIFT ARM
33	FA523054		1	GEAR HOUSING W/BEARING CUP, DRIVESHAFT BEARING LOWER ILLUS. 30, 42 AND 43
-	FC555054		1	GEAR HOUSING COMPLETE INCLUDES ALL ITEMS MARKED WITH AN ASTERISK (*).
34	F523188		1	NUT, BEVEL PINION
35	43-817854A2		1	BEVEL PINION GEAR W/ILLUS. 49 AND 66 ORIGINAL FORCE P/N A 523266-1
36	F1994		1	HEX SOCKET HD CAP SCREW, 5/16 - 18 X 1
37	F523116		1	EXHAUST SNOUT
38	F438930		1	RETAINER, SNOUT
39	F1858		1	HEX CAP SCREW, 5/16 - 18 X 1
40	F8096		7	SPRING LOCKWASHER
41	F1491		6	HEX HD SCREW, 5/16 - 18 X 3/4
42	F8077		2	WASHER, GEAR HOUSING PLUG
43	F50109		2	PLUG, GEAR HOUSING
44	FA84621-1		1	COUPLING, GEAR SHIFT ARM W/BUSHING
45	F523705		1	GEAR SHIFT ROD LOWER
46	F1015		1	COTTER PIN
47	F85372		1	PIN, GEAR SHIFT ROD LOWER
48	F523555		1	SEAL, O-RING, GEAR HOUSING COVER
49	F523961		1	CRUSH RING
50	F74305		1	SEAL, DRIVESHAFT BEARING CAGE
51	F506118		1	SEAL, DRIVESHAFT
52	F2A550706		1	GEAR HOUSING COVER W/ILLUS. 51 AND 53
53	F338618-1		1	SEAL, GEAR SHIFT ROD
54	F8083		7	SPRING LOCKWASHER
55	F2008		3	HEX CAP SCREW, 1/4 - 20 X 7/8
56	F523031		1	GASKET, WATER PUMP
57	F523562		1	PLATE, WATER PUMP
58	F523065-1		1	IMPELLER, WATER PUMP
59	46-817853A1		1	WATER PUMP BODY W/ILLUS. 61, 63 AND 64 ORIGINAL FORCE P/N A 523060-1
60	F1990		2	HEX CAP SCREW, 1/4 - 20 X 1-5/8
61	F480388		1	DISC, WATER PUMP LOCATING
62	F1425		2	HEX CAP SCREW, 1/4 - 20 X 2-5/8
63	F351307		1	SEAL, DRIVESHAFT - WATER PUMP
64	FA523735		1	SEAL, INLET WATER LINE, LOWER W/LITERATURE
65	F523057		1	BEARING, DRIVESHAFT LOWER
66	F9106		A/R	SHIM, DRIVESHAFT BEARING, UPPER .003 BRASS
-	F9095		A/R	SHIM, DRIVESHAFT BEARING UPPER .005 SILVER
-	F9096		A/R	SHIM, DRIVESHAFT BEARING UPPER .007 BRASS
-	F9097		A/R	SHIM, DRIVESHAFT BEARING, UPPER .010 BLACK

CONTINUED ON NEXT PAGE ➡

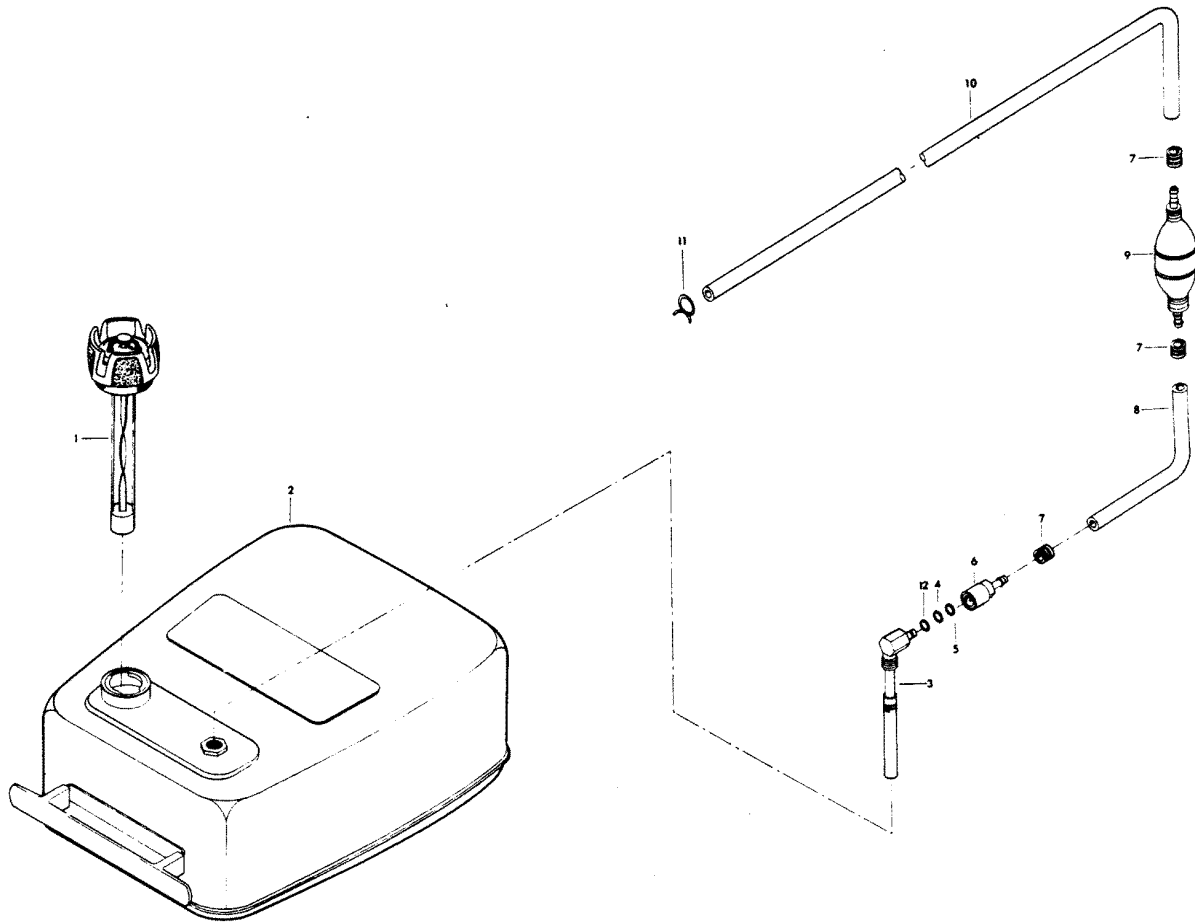
GEAR HOUSING



GEAR HOUSING

REF. NO.	PART NO.	SYM.	QTY.	DESCRIPTION
67	F523498		1	DRIVE KEY, WATER PUMP
68	FK550128		1	DRIVESHAFT W/BEARING ILLUS. 49 AND 66
69	F438271		1	RETAINER, CRANKSHAFT SPLINE SEAL
70	F438129		1	SEAL, DRIVESHAFT SPLINE
71	F1866		1	PLAIN WASHER
72	F1856		2	PLAIN WASHER
73	F90619-1		1	YOKE
74	FK1063-1		1	SEAL KIT (INCLUDES ITEMS BELOW)
-	F50342-1		4	SEAL, BEARING CAGE BOLT
-	F506118		1	SEAL, PROPELLER SHAFT
-	F24278		1	SEAL, PROPELLER SHAFT SPOOL
-	F84305		1	SEAL, PROPELLER SHAFT SPOOL
-	F498618		1	SEAL, GEARSHIFT ARM PIN
-	F8077		2	WASHER
-	F523555		1	SEAL, GEAR HOUSING COVER
-	F74305		1	SEAL, GEAR HOUSING COVER
-	F84307-1		1	SEAL, DRIVESHAFT
-	F338618-1		1	SEAL, GEAR SHIFT ROD
75	FK1069		1	WATER PUMP KIT
-	F1425		2	HEX CAP SC, 1/4 - 20 X 5/8
-	F1990		2	HEX CAP SCREW
-	F8083		4	SPRING LOCKWASHER
-	F523031		1	GASKET, WATER PUMP
-	F523065-1		1	IMPELLER
-	F523498		1	KEY
-	F523562		1	PLATE, WATER PUMP
-	46-817853A1		1	WATER PUMP
76	FA523136		1	CAGE, REAR
77	F523901		1	BEARING, BEVEL GEAR REAR
78	F2117		A/R	SPACER BEVEL GEAR REAR
-	F2118		A/R	SPACER BEVEL GEAR REAR
-	F2119		A/R	SPACER BEVEL GEAR REAR
-	F2120		A/R	SPACER BEVEL GEAR REAR

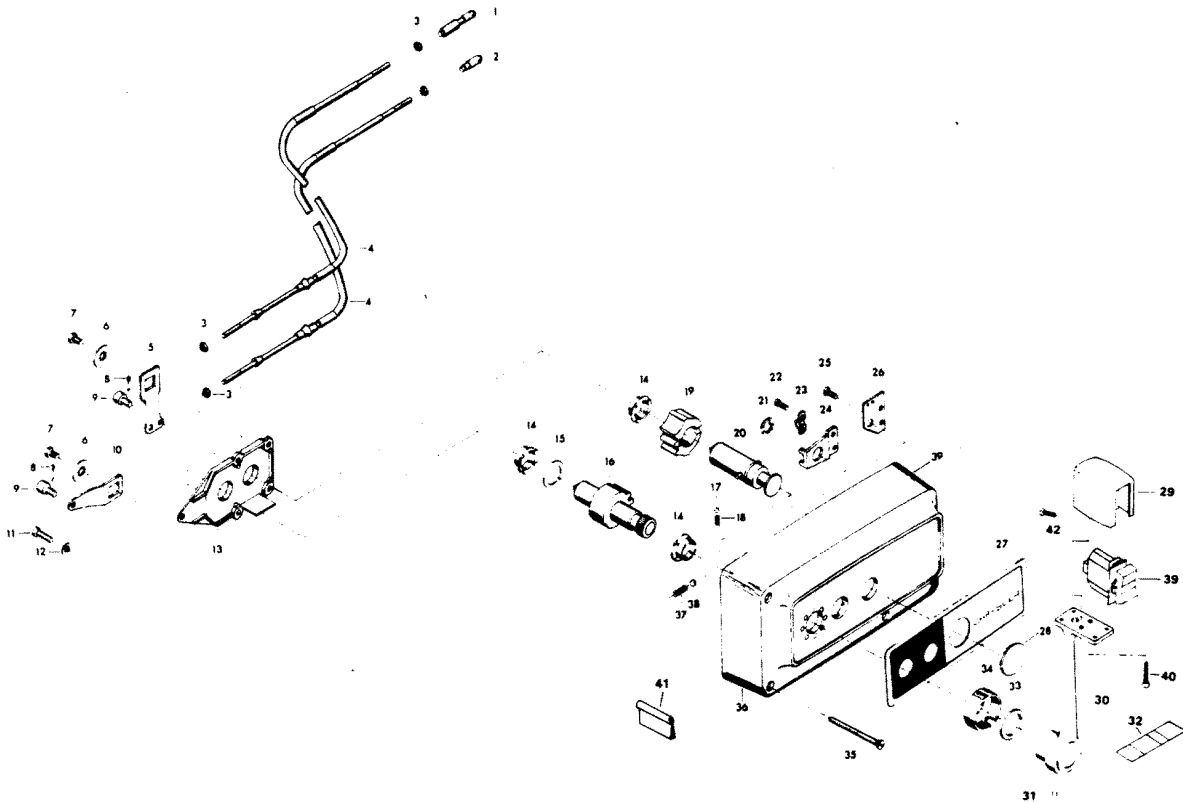
FUEL TANK AND LINE



FUEL TANK AND LINE

REF. NO.	PART NO.	SYM.	QTY.	DESCRIPTION
1	F409251-1		1	GAUGE CAP
2	F5H026		1	FUEL TANK (ACCESSORY ITEM)
3	F485755-1		1	FUEL TANK ADAPTER
4	F17816		1	SEAL, FUEL LINE COUPLER
5	F17815		1	SEAL, FUEL LINE COUPLER
6	F197787-3		1	FUEL LINE COUPLER
7	F298788		3	FERRULE
8	FA84754-1		1	FUEL LINE SHORT W/ILLUS. 7
9	89396A38		1	PRIME BULB
10	32-817738A1		1	FUEL LINE LONG W/ILLUS. 7 AND 11 ORIGINAL FORCE P/N A 197752-1
11	F97772		1	CLAMP, FUEL LINE
12	F17817		1	SEAL, FUEL LINE COUPLER
-	FS409752		1	FUEL LINE COMPLETE W/ILLUS. 4 THRU 12
-	FC409398		1	DECAL, TOTE TANK - CANADA (NOT SHOWN)

REMOTE CONTROL

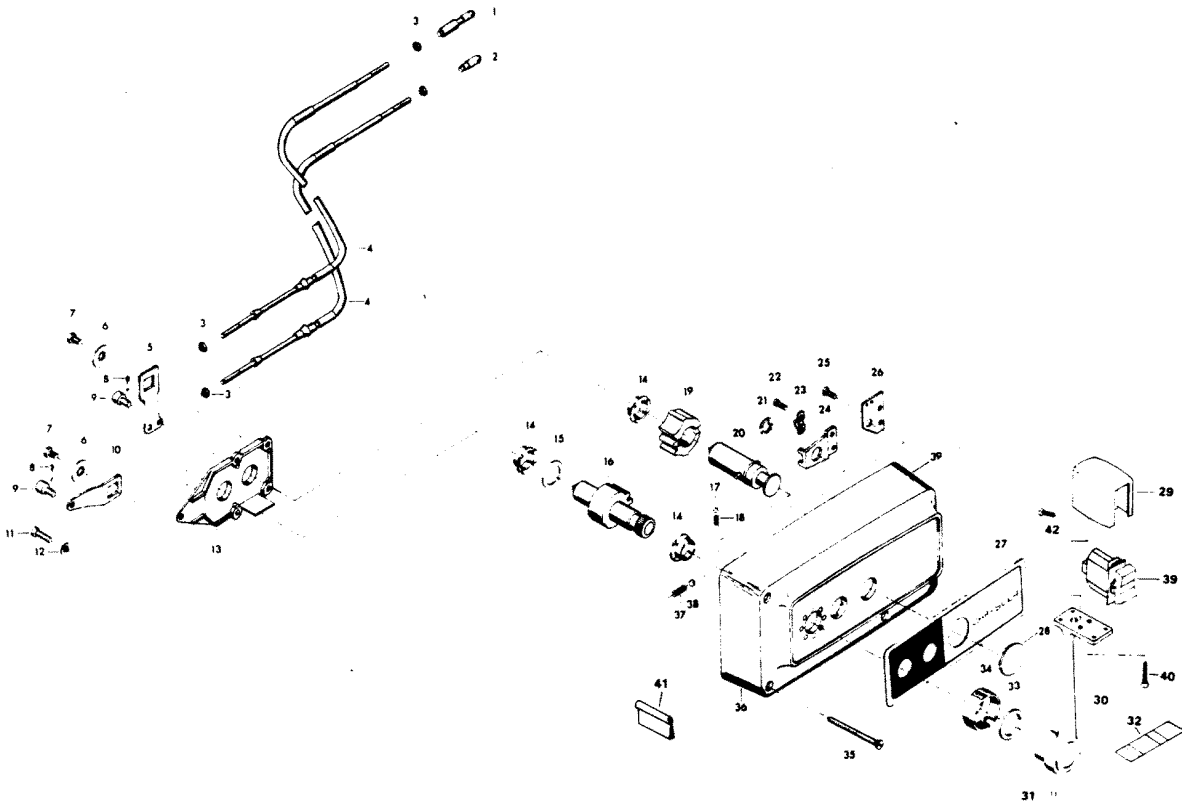


REMOTE CONTROL

REF. NO.	PART NO.	SYM.	QTY.	DESCRIPTION
1	FA58976-1		1	CONNECTOR, THROTTLE CABLE
2	F58685-2		1	CONNECTOR, SHIFT CABLE
3	F1513		4	HEX NUT
4	F195/___		1	REMOTE CONTROL CABLE (SPECIFY LENGTH) ACCESSORY ITEM (2 PER SET)
5	F17019		1	CLUTCH ARM
6	F17036		2	INTERNAL TOOTH LOCKWASHER
7	F1715		2	HEX BOLT, 14 X 28 X 9/16
8	F17149		2	COTTER PIN
9	F17016		2	CABLE TERMINAL
10	F17014		1	THROTTLE ARM
11	F17013		2	FILL HD SCREW, 1/4 - 20 X 1/2
12	F17147		2	INTERNAL TOOTH LOCKWASHER
13	F17012		1	RETAINING PLATE
14	F17009		3	BEARING
15	F17011		1	BOWED WASHER
16	F17010-1		1	THROTTLE GEAR
17	F17111		1	DETENT BALL
18	F17006		1	DETENT SPRING
19	F17021		1	CLUTCH GEAR
20	F17100		1	CLUTCH SHAFT
21	F17092		1	SNAP RING
22	F17071		2	FILL HD SCREW, 10 - 24 X 5/16
23	F154317		1	CABLE CLAMP
24	F17026		1	SWIVEL
25	F1557		2	FLAT HD SCREW, 10 - 24 X 3/8
26	F17112		1	JUNCTION BOARD, STARBOARD
-	F17113		1	JUNCTION BOARD, PORT
27	F17148		1	DECAL, STARBOARD
-	F531892		1	DECAL, PORT
28	F17031-1		1	SNAP CAP
29	F448543		1	KNOB
30	F448611-1		1	LEVER
31	F455690		1	SET SCREW
32	F449894		1	INDICATOR - STARBOARD
-	F448894		1	INDICATOR - PORT
33	F17105		1	FELT WASHER
34	F17106		1	COLLAR
35	F17146		3	WOOD SCREW
36	F17099		1	HOUSING
37	F17068		1	DETENT SPRING
38	F17082-1		1	DETENT BALL
39	F455449		1	SWITCH, TRIM

CONTINUED ON NEXT PAGE ➡

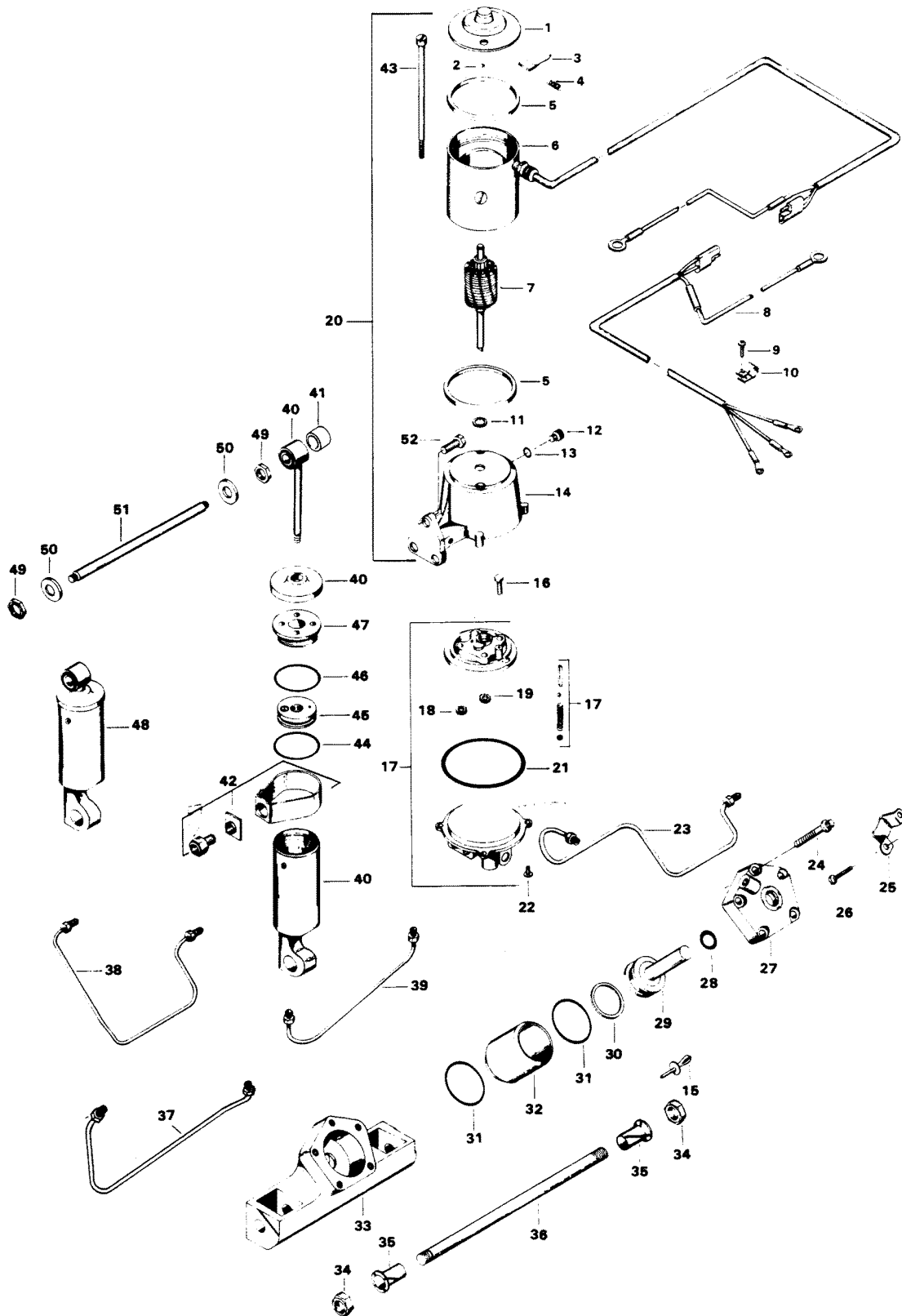
REMOTE CONTROL



REMOTE CONTROL

REF. NO.	PART NO.	SYM.	QTY.	DESCRIPTION
40	F1461		2	SCREW #6 X 7/8
41	F448446		1	CLAMP, TRIM SWITCH CABLE
42	F1280		3	PAN HD SCREW, 8 - 32 X 1/4
-	OB3061		1	LITERATURE (NOT SHOWN)
-	F17103		1	BAG ASSEMBLY (NOT SHOWN) INCLUDES ITEMS MARKED WITH AN ASTERISK (*).

POWER TRIM UNIT

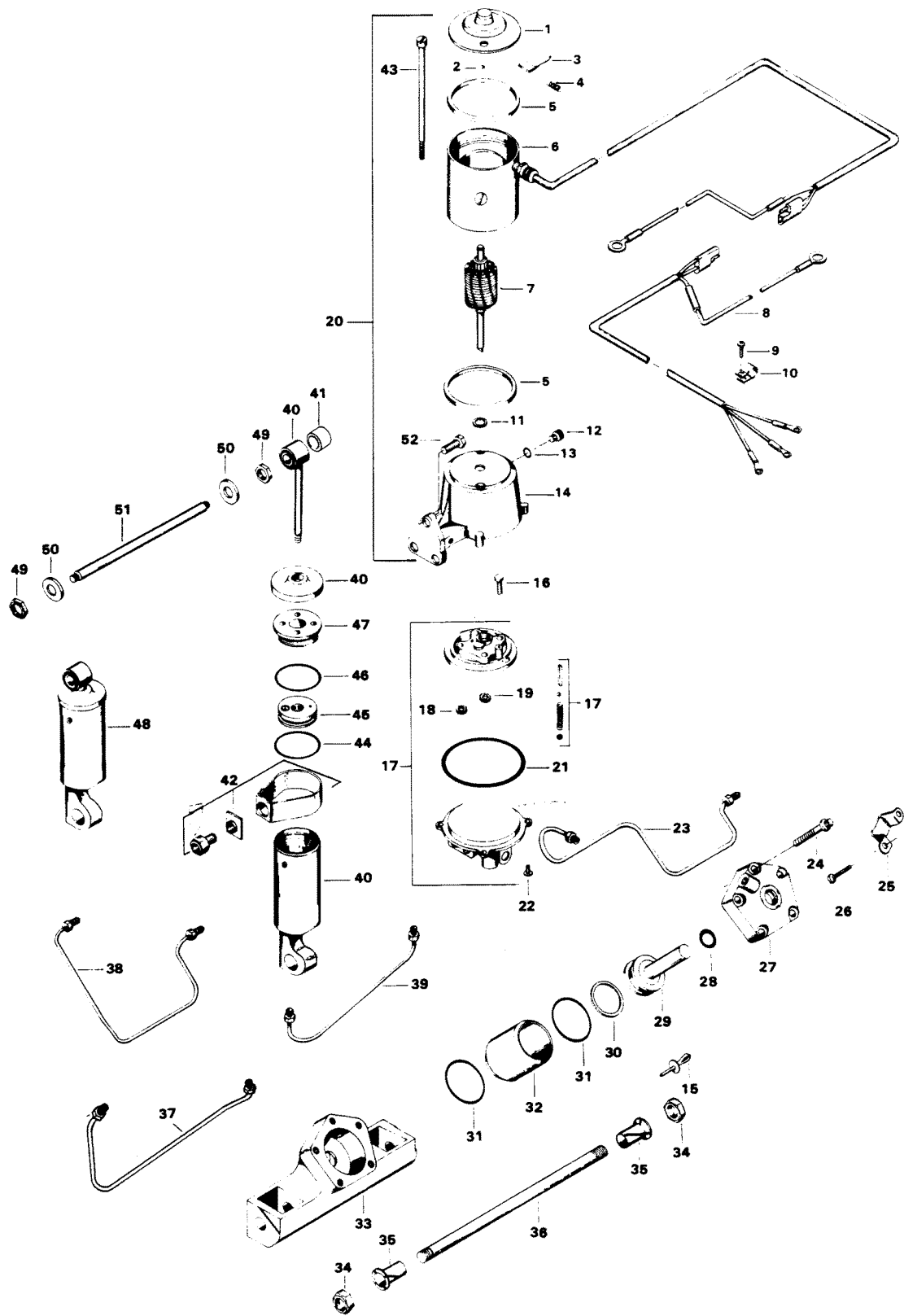


POWER TRIM UNIT

REF. NO.	PART NO.	SYM.	QTY.	DESCRIPTION
1	F17543		1	HEAD ASSEMBLY, COMMUTATOR END
2	F17539		1	BALL
3	F17504		1	BRUSH SET
4	F17500		1	SPRING SET
5	F17557		2	GASKET
6	F17556		1	FIELD AND FRAME ASSEMBLY
7	F17555		1	ARMATURE
8	F500843		1	CABLE
9	F1741		2	THREAD FORMING SCREW, 8 X 3/4
10	F448446		1	CLAMP
11	F17508		A/R	THRUST WASHER
12	F17518		1	FILLER CAP
13	F17510		1	O-RING
14	F17505		1	RESERVOIR AND BRACKET W/SEAL
15	F1966		1	PLUG, SWIVEL BRACKET
16	F1203		1	HEX CAP SCREW, 1/4 - 20 X 7/8
17	F17564		1	VALVE BODY AND PUMP WILLUS. 16, 18, 19 AND 21
18	F17566		1	IDLE GEAR
19	F17565		1	DRIVE GEAR
20	F17563		1	MOTOR AND RESERVOIR ASSEMBLY
21	F17522		1	O-RING
22	F1310		4	ROUND HD SCREW, 10 - 24 X 5/8
23	F449254		1	HYDRAULIC LINE, TRIM CYLINDER, UPPER
24	F1959		5	SCREW, 1/4 - 20 X 1-3/4, STAINLESS STEEL
25	F449354		1	THRUST BRACKET
26	F1734		2	FILL HD MOUNTING SCREW AND LOCKWASHER, 1/4 - 20 X 1/2
27	FA449149		1	COVER ASSEMBLY W/SEALS AND RETAINER
28	F449342		1	SEAL, PISTON SHAFT
29	FA449015		1	PISTON
30	F449278		1	PISTON SEAL
31	F40278		2	SEAL, CYLINDER
32	F449010		1	CYLINDER
33	F449545-2		1	CYLINDER HOUSING
34	F1963		2	ELASTIC STOP NUT, 5/8 - 18
35	F178362		2	BEARING
36	F449632		1	SHAFT
37	F449253-1		1	HYDRAULIC LINE, TRIM CYLINDER, LOWER
38	F449758		1	HYDRAULIC LINE, LIFT CYLINDER, UPPER
39	F449754-1		1	HYDRAULIC LINE, LIFT CYLINDER, LOWER
40	FA17559		1	LIFT CYLINDER COMPLETE
41	F178344		2	BUSHING
42	F17577		1	ADAPTER FITTING PACKAGE

CONTINUED ON NEXT PAGE ➡

POWER TRIM UNIT



POWER TRIM UNIT

REF. NO.	PART NO.	SYM.	QTY.	DESCRIPTION
43	F17558		1	THRU-BOLT PACKAGE
44	FA17561-1		1	O-RING W/LITERATURE
45	F17562-1		1	PISTON ASSEMBLY
46	F17528		1	O-RING
47	F17560		1	HEAD ASSEMBLY
48	FA178962		1	SHOCK ABSORBER W/ILLUS. 41
49	F1931		2	STOP NUT, 1/2 - 20, STAINLESS STEEL
50	F1710		2	PLAIN WASHER
51	F449889		1	SHAFT, UPPER
52	F1822		3	SCREW, 5/16 - 18 X 7/8, STAINLESS STEEL
-	F1877		2	TY-RAP (NOT SHOWN)

SPECIAL TOOLS - TUNE-UP

REF. NO.	PART NO.	SYM.	QTY.	DESCRIPTION
-	FT8948-1		0	PULLER TO REMOVE FLYWHEEL.
-	FTA2937-1		0	TIMING TOOL TO ADJUST TIMING POINTER.
-	FT8978		0	POWER TIMING LIGHT FOR ADJUSTMENT OF ENGINE TIMING.

SPECIAL TOOLS - POWER HEAD

REF. NO.	PART NO.	SYM.	QTY.	DESCRIPTION
-	FT2998		0	TORQUE WRENCH (0 - 100 LBS./FT.) TO PROPERLY TORQUE FASTENERS.
-	FT2999		0	TORQUE WRENCH (0 - 600 LBS./IN.) TO PROPERLY TORQUE FASTENERS.
-	FT8914		0	SEAL REMOVER TO REMOVE UPPER CRANKSHAFT BEARING CAGE SEAL.
-	FT8903		0	SEAL INSTALLER TO INSTALL UPPER CRANKSHAFT BEARING CAGE SEAL.
-	FT8927		0	SEAL PROTECTOR TO INSTALL UPPER CRANKSHAFT BEARING CAGE.
-	FT8907		0	DRIVE HANDLE USED WITH T 8903.
-	FT8925		0	SEAL INSTALLER TO INSTALL LOWER CRANKSHAFT SEAL.
-	FT2953		0	SOCKET TO TORQUE CONNECTING ROD SCREWS.
-	FT2990		0	PISTON PIN TOOL TO REMOVE AND INSTALL PISTON PINS.
-	FT2996		0	RING COMPRESSOR TO INSTALL PISTON IN CYLINDER.
-	FT8926		0	RING EXPANDER TO INSTALL PISTON RINGS.
-	FT1082		0	SNAP RING PLIER TO REMOVE AND INSTALL DISTRIBUTOR RETAINING RING.
-	FT8933		0	LIFTING HOOK TO LIFT ENGINE.
-	FT2991		0	CARBON BRUSH TO REMOVE CARBON DEPOSITS FROM POWER HEAD.
-	FT8900		0	HOSE CLAMP PLIERS TO REMOVE AND INSTALL FUEL HOSE CLAMPS.

SPECIAL TOOLS - GEAR HOUSING

REF. NO.	PART NO.	SYM.	QTY.	DESCRIPTION
-	FT7848		0	TORQUING ADAPTER HOLD DRIVESHAFT WHILE INSTALLING OR REMOVING PINION NUT.
-	FT8948-1		0	PULLER TO REMOVE SPOOL FROM GEAR HOUSING.
-	FT8985		0	SEAL INSTALLER TO INSTALL PROPELLER SHAFT SEAL IN PROPELLER SHAFT BEARING SPOOL.
-	FT8925		0	SEAL INSTALLER TO INSTALL DRIVESHAFT SEAL IN GEAR HOUSING COVER.
-	FT8907		0	DRIVER HANDLE TO INSTALL BEARING CUPS AND SEALS.
-	FT8901		0	INDICATOR HOLDER USED IN CONJUNCTION WITH T 8997.
-	FT8902		0	DIAL INDICATOR USED IN CONJUNCTION WITH T 8997.
-	FT8919		0	SPRING PIN PUNCH TO REMOVE CLUTCH SPRING PIN.
-	FT8957		0	SEAL INSTALLER TO INSTALL SHIFT ROD SEAL.
-	FT8997		0	SHIMMING TOOL TO SHIM LOWER UNIT.
-	FT8918		0	BEARING GUIDE SET TO REMOVE FORWARD BEARING CUP IN GEAR HOUSING.
-	FT11209		0	BEARING GUIDE SET USE WITH T 8918.
-	FT11207		0	BEARING CUP REMOVER TO REMOVE FORWARD BEARING CUP IN GEAR HOUSING.
-	FT11204		0	BEARING CUP INSTALLER TO INSTALL FORWARD BEARING CUP IN GEAR HOUSING.
-	FT3012		0	SEAL INSTALLER TO INSTALL WATER PUMP SEAL.
-	FT11205		0	BEARING INSTALLER/REMOVER TO INSTALL AND REMOVE LOWER DRIVESHAFT BEARING IN GEAR HOUSING.
-	FT8930-1		0	FEELER GAUGE SET TO SHIM LOWER UNIT (USE W/T 8997).

SPECIAL TOOLS - TEST EQUIPMENT

REF. NO.	PART NO.	SYM.	QTY.	DESCRIPTION
-	FT8950		0	LEAKAGE TESTER TO TEST LOWER UNIT SEALS FOR LEAKAGE.
-	FTK8999		0	TEST WHEEL TO TEST MOTOR IN TEST TANK. ORIGINAL FORCE P/N TA 8999
-	FT8953		0	IGNITION TESTER TO TEST OUTPUT OF C-D UNIT.
-	FT2951		0	CIRCUIT TRACER TO TROUBLESHOOT ELECTRICAL SYSTEM.
-	FT2938-1		0	TEST LIGHT TO CHECK CONTINUITY IN WIRES.

SPECIAL TOOLS - LUBRICANTS AND SEALANTS

REF. NO.	PART NO.	SYM.	QTY.	DESCRIPTION
-	FT2961		0	LUBRICANT - RYKON GREASE #2EP
-	FT2987-1		0	LUBRICANT - ANTI-SEIZE
-	FT8969		0	LUBRICANT - 7 OZ. LPSI LUBRICANT
-	FT8955		0	SEALANT - 5 OZ. EC-750 INDUSTRIAL SEALANT
-	FT8983		0	SEALANT - 3 OZ. RTV SEALANT FROM IN PLACE GASKETS
-	FT8936-1		0	SEALANT - 2 CC LOCTITE RETAINING COMPOUND #75
-	FT2962-1		0	SEALANT - 50 CC LOCTITE H, NON-HARDENING GRADE
-	FT2963-2		0	SEALANT - 2 OZ. LOCTITE D, HARDENING GRADE
-	FT8935		0	SEALANT PRIMER - 6 OZ.

ACCESSORIES

REF. NO.	PART NO.	SYM.	QTY.	DESCRIPTION
-	F5H014		0	FLUSHING ADAPTER PERMITS FRESH WATER FLUSHING OF WATER PASSAGES WITH STANDARD GARDEN HOSE.
-	F5H130		0	REMOTE CONTROL BOX (SINGLE LEVER) PERMITS REMOTE CONTROL OF THROTTLE AND GEAR SHIFT FROM STARBOARD SIDE OF BOAT.
-	F5H120		0	REMOTE CONTROL BACK PLATE PROTECTS CONTROL MECHANISM FROM PADDED BOAT SURFACES.
-	F5H131		0	PORT SIDE DECAL KIT CONVERTS 5H130 CONTROL BOX TO PORT SIDE MOUNTING.
-	F590		0	REMOTE CONTROL HEAD (SINGLE LEVER) FLUSH MOUNT CONTROL UNIT PERMITS REMOTE CONTROL OF THROTTLE AND GEAR SHIFT. MAY BE MOUNTED ON PORT OR STARBOARD SIDE OF BOAT.
-	865		0	TWIN REMOTE CONTROL BOX PERMITS REMOTE CONTROL OF THROTTLE, AND GEAR SHIFT ON TWIN ENGINE INSTALLATIONS. MAY BE MOUNTED ON PORT OR STARBOARD SIDE OF BOAT.
-	F5H079		0	REMOTE CONTROL BOX FOR MOUNTING ON CONSOLE OF BOAT.
-	F5H080		0	TWIN REMOTE CONTROL BOX FOR MOUNTING ON CONSOLE OF BOAT.
-	F195/___		0	REMOTE CONTROL CABLES CONNECTS REMOTE CONTROL BOX TO THROTTLE AND GEAR SHIFT ON ENGINE. AVAILABLE IN 6 THROUGH 40 FOOT LENGTHS.
-	F5H108		0	STEERING CONNECTOR CLEVIS TYPE FOR BOAT MOUNTED STEERING AND NON THREADED CABLE END.
-	F5H018		0	DUAL ENGINE TIE BAR PERMITS DUAL ENGINE INSTALLATIONS.
-	F5H094		0	STEERING LINK CONNECTS ENGINE TO REMOTE STEERING CABLE.
-	F5H026		0	STEEL, 6 GALLON FUEL TANK (LOW PROFILE) AUXILIARY TANK.
-	F5H029		0	TANK ANCHOR SECURES 5H026 TO BOAT.
-	F5H040		0	STEEL, 12 GALLON FUEL TANK AUXILIARY TANK.
-	F5H019		0	ANTI-CORROSION KIT ELECTRICAL KIT FOR MOUNTING ON BOAT (12V) TO REDUCE CORROSION.
-	F5H025		0	ANTI-CORROSION SACRIFICIAL ANODE KIT USED TO REDUCE CORROSION.
-	F5H043		0	OVERHEAT BUZZER SOUNDS WARNING BUZZER IF ENGINE OVERHEATS.
-	479		0	OVERHEAT LAMP WARNS OF ENGINE OVERHEATING. DO NOT USE GAUGE AND LAMP IN SAME INSTALLATION.
-	F5H161		0	POWER TRIM INDICATOR INDICATES ENGINE TRIM ANGLE. (FLUSH MOUNT).
-	F5H134		0	BOAT WHITE LACQUER ENGINE TOUCH-UP PAINT IN 12-3/4 OZ. SPRAY BOMBS (6 CANS PER CASE).
-	F5H081		0	BATTERY CABLE LONGER LENGTH - 15 FEET.
-	F5H157		0	VOLTMETER - FLUSH MOUNT INDICATES BATTERY CONDITION.

CONTINUED ON NEXT PAGE ➡

ACCESSORIES

REF. NO.	PART NO.	SYM.	QTY.	DESCRIPTION
-	71H25		0	CHARGE INDICATOR LAMP INDICATES ALTERNATOR OUTPUT.
-	F5H159		0	HOURLMETER - FLUSH MOUNT RECORDS ENGINE RUNNING TIME.
-	F5H119		0	PROPELLER SPACER - FLARED REDUCES PROPELLER VENTILATION ON SOME BOAT APPLICATIONS.
-	F5H069		0	RFI SUPPRESSION KIT PROVIDES RADIO NOISE SUPPRESSION.
-	5H048		0	CANVAS HOOD PROTECTION FOR ENGINE COVER.
-	F5H041		0	BATTERY TERMINAL KIT FOR POSITIVE AND NEGATIVE BATTERY POSTS.
-	F5H021		0	EXTENSION CABLE FOR LENGTHENING BATTERY CABLE 6-1/2 FEET.
-	F5H037		0	CIGAR LIGHTER FOR USE AS CONVENIENCE OUTLET.
-	5H158		0	FUEL GAUGE FLUSH MOUNT MONITORS FUEL SUPPLY.
-	F5H076		0	SWITCH EXTENSION CABLE 5 FOOT LONG SWITCH WIRING HARNESS.
-	F5H077		0	IGNITION KEY SWITCH SHORT BARREL WITH KEYS.
-	F5H078		0	IGNITION KEY SWITCH LONG BARREL WITH KEYS.
-	F762		0	REMOTE ELECTRIC CABLE 25 FOOT CABLE FOR LARGE BOATS.
-	5H082		0	REMOTE ELECTRIC CABLE 35 FOOT CABLE FOR LARGE BOATS.
-	F5H146		0	POWER TILT TILTS ENGINES FOR BEACHING.
-	F5H132		0	REMOTE CONTROL HANDLE TRIM SWITCH SWITCH FOR POWER TRIM IN CONTROL BOX HANDLE.
-	F5H044		0	TILT STOP KIT SHORTER TILT STOP FOR SHORT TRANSOM WELL.
-	F5H070		0	REMOTE ELECTRIC CABLE 21 FOOT CABLE FOR LARGE BOATS.
-	F5H028		0	SENDING UNIT FOR USE WITH FUEL GAUGE.
-	F5H156		0	TEMPERATURE GAUGE - FLUSH MOUNT MONITORS ENGINE TEMPERATURE. DO NOT USE TEMPERATURE GAUGE AND HEAT LAMP IN SAME INSTALLATION.
-	F5H153		0	TACHOMETER FLUSH MOUNT MONITORS ENGINE R.P.M. TO PROVIDE CHECK OF ENGINE PERFORMANCE.
-	F5H150		0	POWER TRIM ADJUSTS ENGINE TRIM AND TILTS ENGINE.
-	F5H154		0	SPEEDOMETER FLUSH MOUNT MONITORS BOAT SPEED (10-50 M.P.H.)
-	F5H155		0	SPEEDOMETER FLUSH MOUNT MONITORS BOAT SPEED (10-65 M.P.H.)
-	F5H030		0	SWITCH KIT - RUNNING LIGHTS DASH MOUNTED TOGGLE SWITCH
-	F5H031		0	SWITCH KIT - SPOT LIGHT DASH MOUNTED TOGGLE SWITCH
-	F5H032		0	SWITCH KIT - WIPER DASH MOUNTED TOGGLE SWITCH
-	F5H034		0	SWITCH KIT - BILGE PUMP DASH MOUNTED TOGGLE SWITCH

CONTINUED ON NEXT PAGE ➡

ACCESSORIES

REF. NO.	PART NO.	SYM.	QTY.	DESCRIPTION
-	F5H035		0	SWITCH KIT - HORN DASH MOUNTED TOGGLE SWITCH
-	F5H039		0	SWITCH KIT - INSTRUMENT LIGHTS DASH MOUNTED TOGGLE SWITCH
-	5H139		0	SWITCH KIT - LIVWELL PUMP DASH MOUNTED TOGGLE SWITCH.
-	F5H036		0	SWITCH KIT - TACHOMETER TRANSFER FOR ONE TACHOMETER ON DUAL ENGINE INSTALLATION.
-	F5H038		0	SWITCH KIT - IGNITION SWITCH TO MOUNT IGNITION SWITCH ON DASH.
-	F563		0	TERMINAL BLOCK KIT DOUBLE ROW 10 SECTION, TO SIMPLIFY ACCESSORY INSTALLATION.
-	F5H075		0	WIRING HARNESS - IGNITION SWITCH - 24" USE WITH 563 TERMINAL BLOCK.
-	F596		0	CHRYSLER OUTBOARD OIL SEE BLOCK COMMENT 1.
-	F597		0	CHRYSLER OUTBOARD GEAR LUBE SEE BLOCK COMMENT 2.
-	F5H059		0	CHRYSLER OUTBOARD MULTI-PURPOSE GREASE LUBRICATES BEARINGS AND OTHER MOVING PARTS. AVAILABLE IN 8 OZ. TUBES AND 12 TUBE CASES.
-	F5H060		0	CHRYSLER OUTBOARD GREASE GUN

PARTS INDEX

Part Number	Description	Pg.	Ref. No.	Part Number	Description	Pg.	Ref. No.
3C612944	ENGINE COVER, COMPLETE, NOTE: ORDER NUMERAL DECALS SEPARATE	3	-	F1341	HEX NUT, 1/4 - 20	23	29
479	OVERHEAT LAMP	59	-	F1346	HEX NUT	33	33
5H048	CANVAS HOOD	60	-	F14005-2	CAP BASE	11	37
5H082	REMOTE ELECTRIC CABLE	60	-	F14007	CAP SCREW	11	33
5H139	SWITCH KIT - LIVEWELL PUMP	61	-	F14010-1	CAP COVER	11	34
5H158	FUEL GAUGE FLUSH MOUNT	60	-	F14012-1	BRUSH	11	39
71H25	CHARGE INDICATOR LAMP	60	-	F14015	CAP CLIP RIVET	11	21
817747--1	BALL JOINT W/STUD	19	23	F14017	TERMINAL INSULATOR (OUTSIDE)	13	46
817747--1	BALL JOINT W/STUD	23	27	F14021-1	CAP SEAL	11	36
817783A5	SWIVEL BRACKET	35	59	F14024	SPACER	13	42
817786A1	DISTRIBUTOR PULLEY	11	3	F14025	SPACER	11	4
817788A3	SPACER PLATE W/PLUG	25	73	F14028	THRUST WASHER	11	5
817828A1	DISTRIBUTOR (NOT SHOWN)	13	-	F14029	THRUST WASHER	11	7
817892--1	PLATE, IGNITION SWITCH - CANADA (NOT SHOWN)	7	-	F14030	CAP GASKET	11	38
817932A6	TOWERSHAFT	23	24	F14036	SWIVEL	11	13
865	TWIN REMOTE CONTROL BOX	59	-	F14037	CAP CLIPS	11	14
89396A38	PRIME BULB	45	9	F14038	CAP CLIP SCREWS	11	15
A523010-1	CYLINDER W/CRANKCASE COVER	23	1	F14040	VENT	11	35
C523227	SPARK PLUG (CHAMPION QL-76V) - CANADA	27	-	F14041	EXTERNAL TOOTH LOCKWASHER	11	23
F1009	HEX HD SCREW, 3/8 - 16 X 2 3/4	23	5	F14042	DISTRIBUTOR HOUSING W/BEARINGS	11	12
F1014	COTTER PIN	15	17	F14044	DISTRIBUTOR SHAFT	11	40
F1014	COTTER PIN	35	73	F14045	SCREW	11	16
F1015	COTTER PIN	41	46	F14046	TERMINAL SCREW	11	19
F1052	FILL HD SCREW, 1/4 - 20 X 1	23	30	F14047	TERMINAL INSULATOR (INSIDE)	11	20
F1059	FILL HD SCREW, 6 - 32 X 1/4	15	21	F14049	TERMINAL INSULATOR (OUTSIDE)	11	22
F1064	FILL HD SCREW, 8 - 32 X 3/8	15	3	F14056	SCREW	13	47
F1087	FILL HD SCREW, 10 - 24 X 13/16	5	2	F1425	HEX CAP SC, 1/4 - 20 X 5/8	43	-
F1099	FILL HD SCREW, 1/4 - 20 X 1-1/4	23	15	F1425	HEX CAP SCREW, 1/4 - 20 X 2-5/8	41	62
F1099	FILL HD SCREW, 1/4 - 20 X 1-1/4	27	94	F1461	SCREW #6 X 7/8	49	40
F1107	SLOTTED FILL HD CAP SCREW, 1/4 - 20 X 3/4	27	95	F1473	HEX NUT	3	7
F1108	FILL HD SCREW, 1/4 - 20 X 3/4	19	13	F1475	FILL HD SCREW, 10 - 24 X 1/2	23	25
F1203	HEX CAP SCREW, 1/4 - 20 X 7/8	51	16	F1491	HEX HD SCREW, 5/16 - 18 X 3/4	41	41
F1236	SCREW, 1/4 - 20 X 1/2	19	22	F15034	SPRING SET	9	15
F1253	HEX SOCKET HD CAP SCREW, 3/8 - 16 X 2	23	11	F15054	BRUSH AND TERMINAL SET	9	7
F1263	HEX SOCKET HD CAP SCREW, 5/16 - 18 X 9/16	33	12	F15057	BRUSH PLATE AND HOLDER ASSEMBLY	9	16
F1280	PAN HD SCREW	33	20	F15099	ARMATURE	9	5
F1280	PAN HD SCREW, 8 - 32 X 1/4	5	33	F15118	BENDIX DRIVE ASSEMBLY	9	1
F1280	PAN HD SCREW, 8 - 32 X 1/4	49	42	F15125	HEAD ASSEMBLY, COMMUTATOR END	9	14
F1286	PAN HD SCREW, 4 - 40 X 3/16	25	39	F15126	THRUST WASHER PACKAGE	9	4
				F1513	HEX NUT	5	18
				F1513	HEX NUT	47	3
				F1513	HEX NUT, 10 - 32	19	27
				F1513	HEX NUT, 10 - 32	25	44
				F1515	HEX NUT	5	24
				F1515	HEX NUT, 5/16 - 18	19	29
				F15166	FRAME AND FIELD ASSEMBLY	9	6
				F15167	HEAD ASSEMBLY, DRIVE END	9	3

PARTS INDEX

Part Number	Description	Pg.	Ref. No.	Part Number	Description	Pg.	Ref. No.
F15168	THRU BOLT PACKAGE	9	10	F17071	FILL HD SCREW, 10 - 24 X		
F1528	WELCH PLUG	33	42		5/16	47	22
F1532	HEX HD SCREW, 1/4 - 20 X 1	19	20	F1708	HEX HD CAP SCREW, 1/4 -		
F1532	HEX HD SCREW, 1/4 - 20 X 1	23	35		20 X 1-3/8	3	25
F1532	HEX HD SCREW, 1/4 - 20 X 1	29	109	F17082-1	DETENT BALL	47	38
F154317	CABLE CLAMP	47	23	F17092	SNAP RING	47	21
F1556	FILL HD SCREW			F17099	HOUSING	47	36
	W/LOCKWASHER, 10 - 24			F1710	PLAIN WASHER	33	39
	X 3/8	23	31	F1710	PLAIN WASHER	53	50
F1557	FLAT HD SCREW, 10 - 24 X			F17100	CLUTCH SHAFT	47	20
	3/8	47	25	F17103	BAG ASSEMBLY (NOT		
F1577	FILL HD SCREW, 1/4 - 20 X				SHOWN)	49	-
	3/4	39	19	F17105	FELT WASHER	47	33
F1593	HEX HD SCREW, 3/8 - 16 X 3	33	30	F17106	COLLAR	47	34
F1612	HEX CAP SCREW, 3/8 - 16 X			F1711	SPRING BOWED WASHER .	35	51
	1-1/4	11	8	F17111	DETENT BALL	47	17
F1641	LOCK NUT	9	2	F17112	JUNCTION BOARD,		
F1645	RD HD SCREW, 6 - 32 X 1/4	5	27		STARBOARD	47	26
F1645	RD HD SCREW, 6 - 32 X 1/4	21	49	F17113	JUNCTION BOARD, PORT ..	47	-
F1647	HEX NUT, 8 - 32	5	6	F1713	SPRING PIN	39	25
F1647	HEX NUT, 8 - 32	11	24	F17146	WOOD SCREW	47	35
F1647	HEX NUT, 8 - 32	27	89	F17147	INTERNAL TOOTH		
F1648	PAN HD SCREW, 10 - 24 X				LOCKWASHER	47	12
	3/4	5	16	F17148	DECAL, STARBOARD	47	27
F1664	SPRING PIN	33	10	F17149	COTTER PIN	47	8
F1666	SPRING BOWED WASHER .	33	26	F1715	HEX BOLT, 14 X 28 X 9/16 .	47	7
F1669	LOCK NUT	33	44	F1727	PLASTIC RIVET	23	26
F1689	HEX HD CAP SCREW, 1/4 -			F1729	PLUG	33	8
	20 X 1/2	7	42	F1730	PAN HD SCREW W/SPRING		
F1692	WOODRUFF KEY	13	41		LOCKWASHER, 1/4 - 20 X		
F1693	TIE BAR RETAINER	15	4		5/8	3	5
F1696	HEX BOLT, 5/16 - 18 X 1-3/4	33	24	F1733	PAN HD MACHINE SCREW,		
F1699	HEX HD SCREW, 1/4 - 20 X				10 - 24 X 9/16	3	2
	1-1/8	23	10	F1734	FILL HD MOUNTING SCREW		
F17006	DETENT SPRING	47	18		AND LOCKWASHER, 1/4 -		
F17009	BEARING	47	14		20 X 1/2	51	26
F17010-1	THROTTLE GEAR	47	16	F1734	FILL HD SCREW		
F17011	BOWED WASHER	47	15		W/LOCKWASHER, 1/4 - 20		
F17012	RETAINING PLATE	47	13		X 1/2	5	14
F17013	FILL HD SCREW, 1/4 - 20 X			F1741	PAN HD SCREW, 8 X 3/4 . . .	5	35
	1/2	47	11	F1741	THREAD FORMING SCREW,		
F17014	THROTTLE ARM	47	10		8 X 3/4	51	9
F17016	CABLE TERMINAL	47	9	F1744	SPRING PIN	35	62
F17019	CLUTCH ARM	47	5	F1744	SPRING PIN	35	68
F17021	CLUTCH GEAR	47	19	F17500	SPRING SET	51	4
F17026	SWIVEL	47	24	F17504	BRUSH SET	51	3
F1703	LOCKWASHER	25	71	F17505	RESERVOIR AND BRACKET		
F1703	SPRING LOCKWASHER	35	79		W/SEAL	51	14
F17031-1	SNAP CAP	47	28	F17508	THRUST WASHER	51	11
F17036	INTERNAL TOOTH			F17510	O-RING	51	13
	LOCKWASHER	47	6	F17518	FILLER CAP	51	12
F1704	INTERNAL TOOTH			F17522	O-RING	51	21
	LOCKWASHER	21	48	F17528	O-RING	53	46
F1705	HEX CAP SCREW, 1/4 - 20 X			F17539	BALL	51	2
	3/4	5	23	F17543	HEAD ASSEMBLY,		
F1705	HEX CAP SCREW, 1/4 - 20 X				COMMUTATOR END	51	1
	3/4	39	1	F1755	ROUND HD SCREW		
F1705	HEX SLOT HD SCREW, 1/4 -				W/LOCKWASHER, 6 - 32 X		
	20 X 3/4	33	3		1/4	19	38
F17068	DETENT SPRING	47	37	F17555	ARMATURE	51	7

PARTS INDEX

Part Number	Description	Pg.	Ref. No.	Part Number	Description	Pg.	Ref. No.
F17556	FIELD AND FRAME ASSEMBLY	51	6	F1854	HEX CAP SCREW, 1/4 - 20 X 5/8	3	17
F17557	GASKET	51	5	F1856	PLAIN WASHER	43	72
F17558	THRU-BOLT PACKAGE	53	43	F1857	HEX CAP SCREW, 5/16 - 18 X 5/8	3	29
F17560	HEAD ASSEMBLY	53	47	F1857	HEX CAP SCREW, 5/16 - 18 X 5/8	3	34
F17562-1	PISTON ASSEMBLY	53	45	F1858	HEX CAP SCREW, 5/16 - 18 X 1	3	28
F17563	MOTOR AND RESERVOIR ASSEMBLY	51	20	F1858	HEX CAP SCREW, 5/16 - 18 X 1	41	39
F17564	VALVE BODY AND PUMP	51	17	F1860	RD HD SCREW, 6 - 32 X 1/4	19	9
F17565	DRIVE GEAR	51	19	F1864	HEX CAP SCREW, 1/4 - 20 X 3/4	3	21
F17566	IDLE GEAR	51	18	F1864	HEX CAP SCREW, 1/4 - 20 X 3/4	25	76
F17577	ADAPTER FITTING PACKAGE	51	42	F1864	HEX HD SCREW, 1/4 - 20 X 3/4	23	13
F1759	SHIM, DISTRIBUTOR (QTY. AS REQUIRED)	11	11	F1866	PLAIN WASHER	43	71
F1760	PAN HD SCREW, 10 - 24 X 3/8	5	19	F1867	HEX CAP SCREW, 3/8 - 16 X 1	31	18
F1760	PAN HD SCREW, 10 - 24 X 3/8	11	25	F1869	HEX CAP SCREW, 3/8 - 16 X 1-1/4	25	70
F1760	PAN HD SCREW, 10 - 24 X 3/8	23	3	F1871	HEX HD SCREW, 3/8 - 16 X 3/4	35	80
F177330	FUEL PUMP VALVE	19	10	F1872	HEX CAP SCREW, 3/8 - 16 X 1-3/4	23	14
F177350	REVERSE LOCK PIN	35	61	F1873	HEX CAP SCREW, 3/8 - 16 X 3	23	9
F1778	PLAIN WASHER	11	9	F1874	HEX HD SCREW, 3/8 - 16 X 3 1/8	23	4
F178145-3	MOTOR LEG COVER, REAR	33	9	F1877	TY-RAP	5	29
F17815	SEAL, FUEL LINE COUPLER	45	5	F1877	TY-RAP (NOT SHOWN)	53	-
F17816	SEAL, FUEL LINE COUPLER	45	4	F1885	HEX BOLTS, S.S., 5/16 - 18 X 4-1/4	25	58
F178168-1	GASKET, CARBURETOR ADAPTER	19	35	F1885	HEX CAP SCREW, 5/16 - 18 X 4-1/4	39	6
F178168-1	GASKET, CARBURETOR ADAPTER	27	-	F1892	STOP NUT	7	52
F17817	SEAL, FUEL LINE COUPLER	45	12	F1904	PLAIN WASHER	33	32
F178173	RETAINING RING	33	31	F1907	PLAIN WASHER	39	7
F178208	RETAINING RING	33	38	F1910	STOP NUT, 1/4 - 20	19	25
F178323	SEAL, MOTOR LEG	33	13	F19109	PLUG	27	81
F178344	BUSHING	51	41	F19109	PLUG	39	30
F178362	BEARING	33	41	F1912	HEX HD SCREW, 10 - 24 X 1/2	35	77
F178362	BEARING	51	35	F1916	HEX BOLT, 1/4 - 20 X 1-1/8	27	97
F178404-1	DEFLECTOR PLATE	19	36	F1922	HEX CAP SCREW, 1/4 - 20 X 5/8	3	26
F178632	SHAFT, SHOCK MOUNT LOWER	35	48	F1922	HEX CAP SCREW, 1/4 - 20 X 5/8	9	11
F178754-1	FUEL LINE	15	24	F1922	HEX CAP SCREW, 1/4 - 20 X 5/8	19	5
F1788	STOP NUT	39	15	F1922	HEX CAP SCREW, 1/4 - 20 X 5/8	25	55
F178889	SHAFT, SHOCK MOUNT UPPER	35	53	F1931	STOP NUT, 1/2 - 20, STAINLESS STEEL	53	49
F18160-2	CYLINDER DRAIN REED	25	42	F1934	FLAT HD SLOTTED SCREW, 6 X 12	7	50
F1822	HEX BOLT, 5/16 - 18 X 7/8	35	84	F1936	SPACER, BEVEL GEAR FRONT .059	39	27
F1822	SCREW, 5/16 - 18 X 7/8, STAINLESS STEEL	53	52				
F1831	FLAT HD SCREW, 1/4 - 20 X 5/8	21	42				
F1832	STOP NUT, 1/4 - 20	25	65				
F1836	SPRING PIN	35	72				
F184033-1	SWIVEL, TOP CARBURETOR	15	20				
F184122-1	PARTING LINE SEAL	27	-				
F184122-1	SEAL, PARTING LINE	25	47				
F184579	O-RING SEAL	15	19				
F1851	FILL HD SCREW W/LOCKWASHER, 10 - 24 X 1/2	5	39				

PARTS INDEX

Part Number	Description	Pg.	Ref. No.	Part Number	Description	Pg.	Ref. No.
F1937	SPACER, BEVEL GEAR FRONT .062	39	-	F2049	HEX CAP SCREW, 5/16 - 18 X 2-5/8	27	83
F1938	SPACER, BEVEL GEAR FRONT .065	39	-	F2066	PAN HD TAPPING SCREW, 10 X 7/16 (TRIM TO COVER)	3	36
F1939	SPACER, BEVEL GEAR FRONT .068	39	-	F2067	PLASTISOL CAP (NOT SHOWN) FOR EXPOSED THREADS OF CRANKSHAFT	31	-
F1940	SPACER, BEVEL GEAR FRONT .071	39	-	F2088	FASTENER	3	9
F1941	SPACER, BEVEL GEAR FRONT .074	39	-	F2089	SLOTTED PAN HD M. SCREW, 10 - 24 X 5/16	25	63
F1942	SPACER, BEVEL GEAR FRONT .077	39	-	F2090	PLUG	25	74
F195/___	REMOTE CONTROL CABLE (SPECIFY LENGTH)	47	4	F2093	STOP NUT	33	16
F195/___	REMOTE CONTROL CABLES	59	-	F2107	FILL HD SCREW, 10 - 24 X 5/8	5	9
F1950	HEX CAP SCREW, 10 - 24 X 5/8	27	101	F2108	LOCK NUT	37	90
F1959	SCREW, 1/4 - 20 X 1-3/4, STAINLESS STEEL	51	24	F2108	STOP NUT, 5/16 - 18	25	64
F1963	ELASTIC STOP NUT, 5/8 - 18	51	34	F2113	SPACER, BEVEL GEAR FRONT .080	39	-
F1966	PLUG, SWIVEL BRACKET	51	15	F2114	SPACER, BEVEL GEAR FRONT .083	39	-
F1968	FLYWHEEL NUT	31	20	F2115	SPACER, BEVEL GEAR FRONT .086	39	-
F1975	SPRING LOCKWASHER	5	10	F2116	SPACER, BEVEL GEAR FRONT .089	39	-
F1975	SPRING LOCKWASHER	11	26	F2117	SPACER BEVEL GEAR REAR	43	78
F197787-3	FUEL LINE COUPLER	45	6	F2118	SPACER BEVEL GEAR REAR	43	-
F197813	BEARING	35	75	F2119	SPACER BEVEL GEAR REAR	43	-
F1987	PLAIN WASHER	27	84	F2120	SPACER BEVEL GEAR REAR	43	-
F1987	PLAIN WASHER	37	91	F2121	SPACER, BEVEL GEAR FRONT .057	39	-
F1990	HEX CAP SCREW	43	-	F2122	SPACER, BEVEL GEAR FRONT .054	39	-
F1990	HEX CAP SCREW, 1/4 - 20 X 1-5/8	41	60	F213274	GREASE FITTING	11	27
F1994	HEX SOCKET HD CAP SCREW, 5/16 - 18 X 1	41	36	F213274	GREASE FITTING	35	54
F1997	STOP NUT, 8 - 32	15	10	F24278	SEAL, O-RING PROPELLER SHAFT SPOOL	39	10
F2000	HEX CAP SCREW, 5/16 - 18 X 3/4	7	47	F24278	SEAL, PROPELLER SHAFT SPOOL	43	-
F2000	HEX CAP SCREW, 5/16 - 18 X 3/4	27	107	F269319	THROTTLE CAM BEARING	19	26
F2008	HEX CAP SCREW, 1/4 - 20 X 7/8	27	85	F284659-2	BEARING, CRANKSHAFT UPPER MAIN	31	21
F2008	HEX CAP SCREW, 1/4 - 20 X 7/8	41	55	F286461	SPRING, LOCK BAR HANDLE	35	66
F2008	HEX HD SCREW, 1/4 - 20 X 7/8	21	43	F289446-1	CLAMP	5	12
F2008	HEX HD SCREW, 1/4 - 20 X 7/8	23	7	F298788	FERRULE	45	7
F2008	HEX HD SCREW, 1/4 - 20 X 7/8	23	8	F2A406757	CYLINDER DRAIN REED PLATE	25	43
F2014	PLAIN WASHER	37	93	F2A523023	BEVEL GEAR FRONT W/BEARING AND SHIMS	39	28
F2015	HEX NUT, 1/4 - 28	23	19	F2A523239	SPOOL, PROPELLER SHAFT BEARING	39	11
F2016	FILL HD SCREW, 6 - 32 X 7/8	21	47	F2A523662	BEVEL GEAR REAR W/BEARING CAGE SPACER AND BEARING	39	21
F2030	HEX HD M. SCREW, 1/4 - 20 X 1-1/4	35	81				
F203276	BOOT	11	30				
F2033	GROOVE PIN	15	26				
F203673	1	11	31				
F2042	PLAIN WASHER	23	21				
F2042	PLAIN WASHER	25	62				
F2047	WAVE SPRING LOCKWASHER	3	20				

PARTS INDEX

Part Number	Description	Pg.	Ref. No.	Part Number	Description	Pg.	Ref. No.
F2A550706	GEAR HOUSING COVER . . .	41	52	F406406	GASKET, DEFLECTOR PLATE	27	-
F307317	CLIP, TERMINAL BLOCK . . .	5	17	F406471-1	CYLINDER DRAIN COVER . .	23	37
F316579	SEAL, CRANKCASE	31	11	F406754-1	HOSE	25	56
F316599	SEAL, STEERING SUPPORT TUBE	35	55	F40689-1	BEARING	25	72
F319908	GROUND WIRE - CANADA . .	5	32	F407446	CLAMP	5	31
F321756	PACKING, COVER	3	31	F409251-1	GAUGE CAP	45	1
F321841-3	LEAD WIRE - USA	11	32	F433114	HANDLE, LOCK BAR	35	67
F322273	STUD, C.D. UNIT	7	48	F433209-1	THROTTLE CAM STUD	19	32
F333316	THROTTLE ROLLER SHAFT . .	15	5	F438066	BY-PASS VALVE COVER . . .	27	102
F335215	SPACER, PISTON PIN (2 PER PISTON)	31	3	F438129	SEAL, DRIVESHAFT SPLINE	43	70
F335217-1	BEARING, PISTON PIN (26 PER SET)	31	5	F438165	SCREW, FUEL PUMP BOWL . .	19	18
F335654-1	DEFLECTION STOP	3	30	F438169	BEARING	35	47
F338618-1	SEAL, GEAR SHIFT ROD . . .	41	53	F438271	RETAINER, CRANKSHAFT SPLINE SEAL	43	69
F338618-1	SEAL, GEAR SHIFT ROD . . .	43	-	F438346	SHOCK MOUNT LOWER	37	87
F345475-1	COIL	7	44	F438398-1	DECAL, WIRING - USA	27	96
F345683	WIRE, REGULATOR-RECTIFIER GROUND	5	5	F438500	FUEL SEDIMENT BOWL	19	17
F351307	SEAL, DRIVESHAFT - WATER PUMP	41	63	F438617	FUEL SEDIMENT BOWL GASKET	19	15
F353480	STUD	33	34	F438653	FUEL SEDIMENT BOWL SCREEN	19	16
F369349	REVERSE LOCK	35	45	F438668	RETAINER, CABLE CLAMP . .	5	13
F369364	REVERSE LOCK ARM	35	71	F438744-1	WIRING HARNESS	5	4
F369510	LINK REVERSE LOCK	35	60	F438747	FUEL PUMP DIAPHRAGM . . .	19	8
F369610	BEARING	25	67	F438754	FUEL LINE	15	29
F369827	HANDLE AND SHAFT	35	76	F438760	FUEL PUMP GASKET	19	4
F369887	SHOULDER SCREW	25	68	F438801	FITTING	19	14
F369977-1	INTERLOCK ARM	25	66	F438841-1	LEAD WIRE - CANADA	11	-
F372151-1	EXHAUST PORT PLATE	27	100	F438905	COIL WIRE - CANADA	11	-
F372152-1	EXHAUST PORT COVER	27	98	F438930	RETAINER, SNOUT	41	38
F372154-1	GASKET, EXHAUST PORT PLATE	27	-	F438962	SHOCK MOUNT LOWER REAR	33	11
F372154-1	GASKET, EXHAUST PORT PLATE	27	99	F439736	SEAL, EXHAUST TUBE	37	94
F372925	CHOKE ROD	15	27	F440906	GASKET, CARBURETOR	27	-
F372958	CHOKE BRACKET	19	19	F441754-1	HOSE	19	3
F373778-1	RETAINER, ENGINE COVER . .	3	35	F448446	CLAMP	51	10
F381896-4	BATTERY CABLE	5	30	F448446	CLAMP, TRIM SWITCH CABLE	49	41
F391926-1	PLUNGER	15	28	F448543	KNOB	47	29
F391983	RETAINING BAND	7	51	F448611-1	LEVER	47	30
F3A523158	REED PLATE	19	41	F448894	INDICATOR - PORT	47	-
F40209	CARBURETOR STUD	19	30	F449010	CYLINDER	51	32
F40223	GASKET, TRANSFER PORT COVER	25	52	F449253-1	HYDRAULIC LINE, TRIM CYLINDER, LOWER	51	37
F40223	GASKET, TRANSFER PORT COVER	27	-	F449254	HYDRAULIC LINE, TRIM CYLINDER, UPPER	51	23
F40278	SEAL, CYLINDER	51	31	F449278	PISTON SEAL	51	30
F404097	FLYWHEEL	5	1	F449342	SEAL, PISTON SHAFT	51	28
F404268	BY-PASS VALVE SPRING . . .	27	104	F449354	THRUST BRACKET	51	25
F404314	ELBOW, FUEL PUMP COVER . .	19	2	F449545-2	CYLINDER HOUSING	51	33
F404314	FITTING	25	57	F449632	SHAFT	51	36
F404470-1	REGULATOR-RECTIFIER . . .	5	8	F449754-1	HYDRAULIC LINE, LIFT CYLINDER, LOWER	51	39
F404513	COIL CLAMP	5	40	F449758	HYDRAULIC LINE, LIFT CYLINDER, UPPER	51	38
F404801	ELBOW, CYLINDER DRAIN UPPER (NOT SHOWN)	23	-	F449889	SHAFT, UPPER	53	51
F404841	CABLE, HEAT INDICATOR . . .	5	37	F449894	INDICATOR - STARBOARD . .	47	32
F405457	PIVOT SCREW	23	33	F455449	SWITCH, TRIM	47	39
				F455690	SET SCREW	47	31

PARTS INDEX

Part Number	Description	Pg.	Ref. No.	Part Number	Description	Pg.	Ref. No.
F460917	STARTER RELAY	5	26	F523300-1	SPRING	33	19
F474073-1	CLAMP SCREW	33	36	F523411	RETAINING RING, BEARING CAGE	39	22
F474387	TIMING DECAL - USA	7	55	F523451	SPACER, REED STOP	21	50
F476066-1	THERMOSTAT COVER	27	93	F523498	DRIVE KEY, WATER PUMP	43	67
F476067	GASKET	27	90	F523498	KEY	43	-
F476067	GASKET, THERMOSTAT COVER	27	-	F523555	SEAL, GEAR HOUSING COVER	43	-
F476529-1	CYLINDER HEAD GASKET	25	79	F523555	SEAL, O-RING, GEAR HOUSING COVER	41	48
F476529-1	GASKET, CYLINDER HEAD	27	-	F523562	PLATE, WATER PUMP	41	57
F480038-2	SUPPORT PLATE	3	22	F523562	PLATE, WATER PUMP	43	-
F480107-1	CAM STARTER INTERLOCK	25	60	F523705	GEAR SHIFT ROD LOWER	41	45
F480388	DISC, WATER PUMP LOCATING	41	61	F523813	BEARING CUP	39	29
F480818	BEARING	3	14	F523834	CLIP, SPARK PLUG WIRE	25	54
F481382-1	SPACER, LATCH SHAFT	3	15	F523881-2	LINK STEERING	33	17
F481434	GUIDE, ENGINE COVER	3	10	F523899	GROMMET, WATER LINE	39	4
F481774	BRACKET, COVER LATCH	3	8	F523901	BEARING, BEVEL GEAR REAR	43	77
F481777	CAM, LATCH	3	19	F523930	RETAINER STUD	33	22
F483884	BEARING	35	70	F523961	CRUSH RING	41	49
F485755-1	FUEL TANK ADAPTER	45	3	F523962	SHOCK MOUNT - C.D. UNIT	7	46
F489551	BRACKET NEUTRAL INTERLOCK SWITCH	21	44	F528068	THERMOSTAT	27	91
F490955	STARTER COMPLETE	9	-	F528995	COVER, CYLINDER HEAD	27	82
F498618	SEAL	41	31	F529390	DECAL, REVERSE LOCK - USA	35	57
F498618	SEAL, GEARSHIFT ARM PIN	43	-	F530160	REED (5 PETAL)	19	40
F498891	PIN, GEAR SHIFT ARM	41	32	F531892	DECAL, PORT	47	-
F498891	PIN, PROPELLER NUT RETAINING	39	14	F545189	BUSHING, CABLE ENTRY	3	24
F500061-1	CARBURETOR COMPLETE (WB24B)	17	46	F548984	BLANKET, SILENCER TOP (NOT SHOWN)	3	-
F500843	CABLE	51	8	F549189	BUSHING, ELECTRIC CABLE	3	23
F50109	PLUG, GEAR HOUSING	41	43	F552985	BLANKET, SILENCER SIDE (NOT SHOWN)	3	-
F50342-1	SEAL, BEARING CAGE BOLT	43	-	F563	TERMINAL BLOCK KIT	61	-
F50342-1	SEAL, O-RING	39	8	F58685-2	CONNECTOR, SHIFT CABLE	47	2
F506118	SEAL, DRIVESHAFT	41	51	F590	REMOTE CONTROL HEAD (SINGLE LEVER)	59	-
F506118	SEAL, PROPELLER SHAFT	39	9	F596	CHRYSLER OUTBOARD OIL	61	-
F506118	SEAL, PROPELLER SHAFT	43	-	F597	CHRYSLER OUTBOARD GEAR LUBE	61	-
F510374	DECAL, CIRCUIT BREAKER U.S.A.	5	41	F5H014	FLUSHING ADAPTER	59	-
F510460	CIRCUIT BREAKER	5	22	F5H018	DUAL ENGINE TIE BAR	59	-
F511125-2	TUBE, STEERING SUPPORT	35	52	F5H019	ANTI-CORROSION KIT	59	-
F511675	STARTER BRACKET, LOWER	9	13	F5H021	EXTENSION CABLE	60	-
F523031	GASKET, WATER PUMP	41	56	F5H025	ANTI-CORROSION SACRIFICIAL ANODE	59	-
F523031	GASKET, WATER PUMP	43	-	F5H026	FUEL TANK (ACCESSORY ITEM)	45	2
F523057	BEARING, DRIVESHAFT LOWER	41	65	F5H026	STEEL, 6 GALLON FUEL TANK (LOW PROFILE)	59	-
F523065-1	IMPELLER	43	-	F5H028	SENDING UNIT	60	-
F523065-1	IMPELLER, WATER PUMP	41	58	F5H029	TANK ANCHOR	59	-
F523094-2	PROPELLER NUT	39	13	F5H030	SWITCH KIT - RUNNING LIGHTS	60	-
F523099-1	SPACER, PROPELLER	39	18	F5H031	SWITCH KIT - SPOT LIGHT	60	-
F523116	EXHAUST SNOOT	41	37	F5H032	SWITCH KIT - WIPER	60	-
F523133-2	MOTOR LEG	33	14	F5H034	SWITCH KIT - BILGE PUMP	60	-
F523146	SEAL, CRANKSHAFT LOWER	31	13	F5H035	SWITCH KIT - HORN	61	-
F523188	NUT, BEVEL PINION	41	34				
F523244	INLET WATER LINE	39	5				
F523273	STUD STEERING BALL	33	23				
F523274	GREASE FITTING	35	49				

PARTS INDEX

Part Number	Description	Pg.	Ref. No.	Part Number	Description	Pg.	Ref. No.
F5H037	CIGAR LIGHTER	60	-	F5H161	POWER TRIM INDICATOR	59	-
F5H038	IGNITION SWITCH MOUNTING KIT (ACCESSORY ITEM)	7	49	F7004	STOP NUT, 3/8 - 16	25	51
F5H038	SWITCH KIT - IGNITION SWITCH	61	-	F7008	ELASTIC STOP NUT	23	34
F5H039	SWITCH KIT - INSTRUMENT LIGHTS	61	-	F7012	STOP NUT	33	29
F5H040	STEEL, 12 GALLON FUEL TANK	59	-	F7013	STOP NUT	11	2
F5H041	BATTERY TERMINAL KIT	60	-	F71H26	BATTERY TERMINAL KIT (ACCESSORY ITEM)	7	56
F5H043	OVERHEAT BUZZER	59	-	F74305	SEAL, DRIVESHAFT BEARING CAGE	41	50
F5H043	OVERHEAT BUZZER (ACCESSORY ITEM)	5	36	F74305	SEAL, GEAR HOUSING COVER	43	-
F5H044	TILT STOP KIT	60	-	F762	REMOTE ELECTRIC CABLE	60	-
F5H059	CHRYSLER OUTBOARD MULTI-PURPOSE GREASE	61	-	F8003	PLAIN WASHER	25	40
F5H060	CHRYSLER OUTBOARD GREASE GUN	61	-	F8011	PLAIN WASHER	5	20
F5H069	RFI SUPPRESSION KIT	60	-	F8028	PLAIN WASHER	9	12
F5H070	REMOTE ELECTRIC CABLE	60	-	F8038	PLAIN WASHER	25	50
F5H075	WIRING HARNESS - IGNITION SWITCH - 24"	61	-	F8038	PLAIN WASHER	33	18
F5H076	SWITCH EXTENSION CABLE	60	-	F8056	LOCKWASHER	11	18
F5H077	IGNITION KEY SWITCH	60	-	F8056	LOCKWASHER	13	43
F5H078	IGNITION KEY SWITCH	60	-	F8056	LOCKWASHER	27	88
F5H078	IGNITION SWITCH (LONG BARREL)	5	34	F8056	SPRING LOCKWASHER	5	7
F5H079	REMOTE CONTROL BOX	59	-	F8058	INTERNAL TOOTH LOCKWASHER	19	24
F5H080	TWIN REMOTE CONTROL BOX	59	-	F8058	INTERNAL TOOTH LOCKWASHER	25	78
F5H081	BATTERY CABLE	59	-	F8077	WASHER	43	-
F5H094	STEERING LINK	59	-	F8077	WASHER, GEAR HOUSING PLUG	41	42
F5H108	STEERING CONNECTOR	59	-	F8080	HELICAL SPRING LOCKWASHER	33	21
F5H119	PROPELLER SPACER - FLARED	60	-	F8083	SPRING LOCKWASHER	3	18
F5H119	WASHER (ACCESSORY ITEM)	39	16	F8083	SPRING LOCKWASHER	7	43
F5H120	REMOTE CONTROL BACK PLATE	59	-	F8083	SPRING LOCKWASHER	33	2
F5H130	REMOTE CONTROL BOX (SINGLE LEVER)	59	-	F8083	SPRING LOCKWASHER	41	54
F5H131	PORT SIDE DECAL KIT	59	-	F8083	SPRING LOCKWASHER	43	-
F5H132	REMOTE CONTROL HANDLE TRIM SWITCH	60	-	F8088	PLAIN WASHER	15	18
F5H134	BOAT WHITE LACQUER	59	-	F8088	PLAIN WASHER	21	46
F5H146	POWER TILT	60	-	F8094	PLAIN WASHER	3	16
F5H150	POWER TRIM	60	-	F8094	PLAIN WASHER	35	74
F5H153	TACHOMETER FLUSH MOUNT	60	-	F8095	PLAIN WASHER	23	6
F5H154	SPEEDOMETER FLUSH MOUNT	60	-	F8096	SPRING LOCKWASHER	3	27
F5H155	SPEEDOMETER FLUSH MOUNT	60	-	F8096	SPRING LOCKWASHER	3	33
F5H156	TEMPERATURE GAUGE - FLUSH MOUNT	60	-	F8096	SPRING LOCKWASHER	5	25
F5H157	VOLTMETER - FLUSH MOUNT	59	-	F8096	SPRING LOCKWASHER	29	108
F5H159	HOURMETER - FLUSH MOUNT	60	-	F8096	SPRING LOCKWASHER	35	85
				F8096	SPRING LOCKWASHER	41	40
				F8104	PLAIN WASHER	23	12
				F84011	WASHER	35	58
				F84074	CLAMP SCREW FOOT	33	35
				F84146-2	SEAL	31	19
				F84278	SEAL	31	22
				F84286-1	FRICTION WASHER	35	56
				F84305	SEAL, O-RING PROPELLER SHAFT SPOOL	39	12
				F84305	SEAL, PROPELLER SHAFT SPOOL	43	-
				F84307-1	SEAL, DRIVESHAFT	43	-
				F84314-2	ELBOW	15	22
				F84314-2	ELBOW	19	6
				F84314-2	ELBOW	25	48

PARTS INDEX

Part Number	Description	Pg.	Ref. No.	Part Number	Description	Pg.	Ref. No.
F84342	SEAL, INLET WATER LINE, UPPER	39	3	F85664	DISTRIBUTOR GROUND	11	28
F84449	INTERLOCK SWITCH	21	45	F85664	GROUND WIRE	7	54
F84472-5	GASKET, CYLINDER DRAIN COVER	23	38	F85704	COUPLER, GEAR SHIFT ROD	37	86
F84472-5	GASKET, CYLINDER DRAIN COVER	27	-	F85762	BY-PASS VALVE COVER GASKET	27	103
F84504	GROMMET (THERMOSTAT)	27	92	F85762	GASKET, BY-PASS VALVE	27	-
F84521-1	CLUTCH	39	26	F85772	CLAMP	33	7
F84748-3	GASKET	25	46	F85779-1	BAFFLE, AIR INTAKE	35	78
F84748-3	GASKET, CYLINDER DRAIN REED PLATE	27	-	F85843-1	REMOTE ELECTRIC CABLE, 18 FEET	5	38
F84792	GASKET, CENTER FUEL PUMP VALVE	19	11	F85859	STUD	23	17
F84871-1	PIN, GEAR SHIFT W/YOKE	39	24	F85906	CARBURETOR GASKET	19	31
F85017	PISTON PIN	31	4	F85906	GASKET, CARBURETOR	27	-
F85026	SWIVEL	23	18	F85908	STARTER LEAD WIRE	9	9
F85033	SWIVEL, CHOKE ROD (BOTTOM CARBURETOR) (NOT SHOWN)	17	-	F85916-1	BY-PASS VALVE	27	105
F85035	DISTRIBUTOR, CONTROL ROD END	23	20	F85924	CHOKE SOLENOID	5	28
F85036	TOWERSHAFT CONTROL ROD END	23	23	F85965	SHOCK MOUNT UPPER	37	89
F85037-1	STERN BRACKET PIVOT BOLT	35	69	F85991-1	GROMMET	13	45
F85095-2	STATOR	5	3	F89758	FUEL PUMP AIR HOSE - TOP	19	7
F85117	BRACKET, WATER LINE	39	2	F9018	CAP	35	64
F85130	BOOT IDLE EXHAUST	33	5	F9052	PLUG	35	50
F85161-1	REED STOP	19	39	F90619-1	YOKE	43	73
F85173	RETAINING RING	11	6	F90807	RETAINING RING	15	1
F85192-1	THROTTLE CAM	19	28	F9095	SHIM, DRIVESHAFT BEARING UPPER .005 SILVER	41	-
F85211	STUD	25	49	F9096	SHIM, DRIVESHAFT BEARING UPPER .007 BRASS	41	-
F85258	INSERT	33	4	F9097	SHIM, DRIVESHAFT BEARING, UPPER .010 BLACK	41	-
F85279-2	GASKET, CYLINDER EXHAUST UPPER	25	69	F9106	SHIM, DRIVESHAFT BEARING, UPPER .003 BRASS	41	66
F85279-2	GASKET, CYLINDER EXHAUST, UPPER	27	-	F91446-1	CIRCUIT BREAKER BRACKET	5	21
F85300	REVERSE LOCK SPRING	35	46	F92759	THROTTLE ROLLER	15	6
F85311	DISTRIBUTOR BELT	11	1	F93811	SCREEN	25	45
F85314-1	FUEL FITTING	15	30	F93920	REED STOP	25	41
F85317-1	SOLENOID CLAMP	19	21	F97772	CLAMP	15	23
F85350-1	TILT STOP PIVOT	33	25	F97772	CLAMP, FUEL LINE	45	11
F85372	PIN, GEAR SHIFT ROD LOWER	41	47	F98273	ROD END CONNECTOR STUD	25	77
F8538	SPRING PIN	33	37	FA14048-2	PREAMPLIFIER	11	17
F85380	SPRING	33	6	FA15072	HEX LOCK NUT, 1/4 - 20 W/WASHER	9	8
F85410	SNAP RING	31	8	FA17559	LIFT CYLINDER COMPLETE	51	40
F85445	CONTROL ROD	23	22	FA17561-1	O-RING	53	44
F85498	FLYWHEEL KEY	31	16	FA178157	CARBURETOR ADAPTER, UPPER	19	-
F85502	THROTTLE LINK	23	28	FA178167	CARBURETOR ADAPTER, LOWER	19	33
F85509-1	LINK, CHOKE	15	25	FA178233	THROTTLE TIE BAR W/SWIVEL	17	52
F85541-1	TILT LOCK	33	27	FA178962	SHOCK ABSORBER	53	48
F85571	BEARING CAGE W/ROLLER	31	10	FA178962	SHOCK ABSORBER W/BUSHING	33	40
F85606	KINGPIN CAP	35	82				
F85610	BEARING	25	59				
F85615	GEAR SHIFT ROD UPPER	37	88				
F8563	DOWEL PIN	23	16				
F85634-2	CONNECTING ROD SCREW	31	14				
F85660-1	EXHAUST TUBE	33	1				

PARTS INDEX

Part Number	Description	Pg.	Ref. No.	Part Number	Description	Pg.	Ref. No.
FA321574	DISTRIBUTOR BRACKET . . .	11	10	FC552010	SHORT BLOCK. ALSO		
FA335260	PISTON RING SET (3 PER SET)	31	1		REFER TO CRANKSHAFT PAGE.	23	-
FA368700	KEY, IGNITION - NO LETTER OR STAMPED A	7	53	FC555054	GEAR HOUSING COMPLETE	41	-
FA411222	TRANSFER PORT COVER . .	25	53	FD368700	KEY, IGNITION - STAMPED D	7	-
FA438113	STERN BRACKET LOCK BAR	35	65	FE368700	KEY, IGNITION - STAMPED E	7	-
FA438431	FUEL PUMP BODY	19	12	FG1019	GASKET SET	27	106
FA439493	TERMINAL BLOCK BRACKET	5	11	FK10000	GASKET SET (NOT SHOWN)	17	-
FA439746	FUEL PUMP COVER	19	1	FK10005	REPAIR PARTS KIT.	17	53
FA449015	PISTON	51	29	FK1063-1	SEAL KIT	43	74
FA449149	COVER ASSEMBLY W/SEALS AND RETAINER	51	27	FK1069	WATER PUMP KIT	43	75
FA480179	TRIM TOP	3	1	FK1123	SPARKIE	13	44
FA480269	TILT HANDLE	3	3	FK405020	SWIVEL	23	32
FA480876	GEAR SHIFT ARM	25	61	FK550128	DRIVESHAFT W/BEARING .	43	68
FA480894	TIMING POINTER	23	2	FK85228-1	BEARING CAGE W/ROLLER	31	7
FA481469	HANDLE W/SHAFT	3	13	FO10165	INLET SEAT GASKET	15	38
FA481743	ROLLER BRACKET ASSEMBLY	3	32	FO10588	BODY CHANNEL CUP PLUG	15	9
FA510497	TERMINAL BLOCK	5	15	FO10790	INLET NEEDLE, SEAT AND GASKET	15	37
FA523014	CRANKSHAFT LOWER MAIN BEARING	31	12	FO11103	IDLE MIXTURE SCREW SPRING	17	45
FA523054	GEAR HOUSING W/BEARING CUP, DRIVESHAFT BEARING LOWER	41	33	FO13191	MAIN FUEL JET. OPT. .076 3000 FT. - 4500 FT.	17	-
FA523098	PROPELLER SHAFT ASSEMBLY	39	23	FO13194	MAIN FUEL JET. STD. .080 SEA LEVEL - 1500 FT. . . .	17	47
FA523136	CAGE, REAR	43	76	FO13552	FUEL BOWL	15	33
FA523485	ANTICORROSION ANODE . .	39	20	FO13554	FLOAT	15	36
FA523735	SEAL, INLET WATER LINE, LOWER	41	64	FO13555	CHOKE SHUTTER	15	43
FA552180	TRIM REAR	3	4	FO13942	THROTTLE SHUTTER	15	11
FA552888	TRIM FRONT	3	37	FO13944	FLOAT LEVER PIN	15	35
FA552944	ENGINE COVER	3	6	FO13945	FUEL BOWL RETAINING SCREW	15	31
FA586386	DECAL, NUMERAL	3	12	FO13946	IDLE MIXTURE SCREW	17	44
FA58976-1	CONNECTOR, THROTTLE CABLE	47	1	FO13947	CHOKE SHAFT RETURN SPRING	15	40
FA612396	DECAL, STARBOARD	3	-	FO14303	MAIN FUEL JET. OPT. .074 4500 FT. - 6000 FT.	17	-
FA612397	DECAL, PORT	3	11	FO14306	MAIN FUEL JET. OPT. .0785 1500 FT. - 3000 FT.	17	-
FA84621-1	COUPLING, GEAR SHIFT ARM W/BUSHING	41	44	FO15026	MAIN FUEL JET. OPT. .072 6000 FT. & UP	17	-
FA84754-1	FUEL LINE SHORT	45	8	FO15217	MAIN NOZZLE	15	34
FA85019	KINGPIN	33	43	FO15231	THROTTLE SHAFT AND LEVER	15	7
FA85135-4	LEG COVER FRONT	35	83	FO15623	FUEL BOWL GASKET	15	41
FA85193	TIE BAR END W/SWIVEL . . .	15	2	FO16008	THROTTLE SHAFT RETURN SPRING	15	8
FA85355-1	WASHER	37	92	FO17181	IDLE TUBE	17	51
FA85655-1	CRANKSHAFT MAIN BEARING RACE	31	9	FO17241	CHOKE SHAFT AND LEVER	15	39
FB368700	KEY, IGNITION - STAMPED B	7	-	FO1974	SCREW	17	50
FC368700	KEY, IGNITION - STAMPED C	7	-	FO2510	FUEL BOWL RETAINING SCREW GASKET	15	32
FC409398	DECAL, TOTE TANK - CANADA (NOT SHOWN) . .	45	-	FO3804	RETAINING SCREW WASHER	15	14
FC438398	DECAL, WIRING - CANADA . .	27	-	FO4326	BODY CHANNEL WELCH PLUG	15	13
FC474387	TIMING DECAL - CANADA . .	7	-	FO6393	RETAINING SCREW	15	16
FC500390	DECAL, STARTER - CANADA (NOT SHOWN)	9	-	FO6396	RETAINING SCREW LOCKWASHER	15	15
FC510374	DECAL, CIRCUIT BREAKER - CANADA	5	-				

PARTS INDEX

Part Number	Description	Pg.	Ref. No.	Part Number	Description	Pg.	Ref. No.
FO8942	CHOKE SHUTTER			FT8948-1	PULLER	54	-
	RETAINING SCREW AND			FT8948-1	PULLER	56	-
	LOCKWASHER	15	42	FT8950	LEAKAGE TESTER	57	-
FO8942	THROTTLE SHUTTER			FT8953	IGNITION TESTER	57	-
	RETAINING SCREW AND			FT8955	SEALANT - 5 OZ. EC-750		
	LOCKWASHER	15	12		INDUSTRIAL SEALANT ..	58	-
FO9678	CLIP, CHOKE SHAFT	17	48	FT8957	SEAL INSTALLER	56	-
FO992	LOCKWASHER	17	49	FT8969	LUBRICANT - 7 OZ. LPSI		
FPS524	PROPELLER (ACCESSORY				LUBRICANT	58	-
	ITEM)	39	17	FT8978	POWER TIMING LIGHT	54	-
FS409752	FUEL LINE COMPLETE	45	-	FT8983	SEALANT - 3 OZ. RTV		
FS85872-1	BRACKET	25	75		SEALANT FROM IN PLACE		
FSA335260	PISTON RING (3 PER SET)				GASKETS	58	-
	.010 OVERSIZE (NOT			FT8985	SEAL INSTALLER	56	-
	SHOWN)	31	-	FT8997	SHIMMING TOOL	56	-
FT1082	SNAP RING PLIER	55	-	FTA2937-1	TIMING TOOL	54	-
FT11204	BEARING CUP INSTALLER .	56	-	FTK8999	TEST WHEEL	57	-
FT11205	BEARING			OB3061	LITERATURE (NOT SHOWN)	49	-
	INSTALLER/REMOVER ..	56	-	22-818103--1	ELBOW, CYLINDER DRAIN		
FT11207	BEARING CUP REMOVER ..	56	-		LOWER	23	36
FT11209	BEARING GUIDE SET	56	-	31-817785A2	CRANKSHAFT BEARING		
FT2938-1	TEST LIGHT	57	-		CAGE	31	17
FT2951	CIRCUIT TRACER	57	-	32-77653-77	BALANCE TUBE	19	34
FT2953	SOCKET	55	-	32-817738A1	FUEL LINE LONG	45	10
FT2961	LUBRICANT - RYKON			33-97180	SPARK PLUG (CHAMPION		
	GREASE #2EP	58	-		L20V) - USA	27	86
FT2962-1	SEALANT - 50 CC LOCTITE			39-818110A1	PISTON RING (3 PER SET)		
	H, NON-HARDENING				.030 OVERSIZE (NOT		
	GRADE	58	-		SHOWN)	31	-
FT2963-2	SEALANT - 2 OZ. LOCTITE			43-817854A2	BEVEL PINION GEAR	41	35
	D, HARDENING GRADE ..	58	-	46-817853A1	WATER PUMP	43	-
FT2987-1	LUBRICANT - ANTI-SEIZE ..	58	-	46-817853A1	WATER PUMP BODY	41	59
FT2990	PISTON PIN TOOL	55	-	84-817775A1	COIL WIRE	11	29
FT2991	CARBON BRUSH	55	-	87-817778A1	THERMOSWITCH	27	87
FT2996	RING COMPRESSOR	55	-	300-817855A1	UNIT	7	45
FT2998	TORQUE WRENCH (0 - 100			400-817735A4	CRANKSHAFT	31	15
	LBS./FT.)	55	-	600-818052A4	CONNECTING ROD	31	6
FT2999	TORQUE WRENCH (0 - 600			700-817988A2	PISTON .010 OVERSIZE		
	LBS./IN.)	55	-		(NOT SHOWN)	31	-
FT3012	SEAL INSTALLER	56	-	700-818111A2	PISTON .030 OVERSIZE		
FT7848	TORQUING ADAPTER	56	-		(NOT SHOWN)	31	-
FT8900	HOSE CLAMP PLIERS	55	-	700-F372015-3	PISTON	31	2
FT8901	INDICATOR HOLDER	56	-	900-817832A2	CYLINDER HEAD	25	80
FT8902	DIAL INDICATOR	56	-	1400-817958A6	STERN BRACKET	33	28
FT8903	SEAL INSTALLER	55	-				
FT8907	DRIVE HANDLE	55	-				
FT8907	DRIVER HANDLE	56	-				
FT8914	SEAL REMOVER	55	-				
FT8918	BEARING GUIDE SET	56	-				
FT8919	SPRING PIN PUNCH	56	-				
FT8925	SEAL INSTALLER	55	-				
FT8925	SEAL INSTALLER	56	-				
FT8926	RING EXPANDER	55	-				
FT8927	SEAL PROTECTOR	55	-				
FT8930-1	FEELER GAUGE SET	56	-				
FT8933	LIFTING HOOK	55	-				
FT8935	SEALANT PRIMER - 6 OZ. ..	58	-				
FT8936-1	SEALANT - 2 CC LOCTITE						
	RETAINING COMPOUND						
	#75	58	-				