



PARTS CATALOG

7.5 H.P.

SERIAL NUMBER

7.5 (1983)	71B3D
7.5 (1983)	71H3D

TABLE OF CONTENTS:

ACCESSORIES	37
ELECTRICAL COMPONENTS	6
ENGINE COVER AND SUPPORT PLATE	2
FUEL SYSTEM	14
FUEL TANK AND LINE	30
GEAR HOUSING	26
MOTOR LEG	22
PARTS INDEX	38
POWER HEAD	18
SPECIAL TOOLS - LOWER UNIT	34
SPECIAL TOOLS - LUBRICANTS AND SEALANTS	36
SPECIAL TOOLS - POWER HEAD	33
SPECIAL TOOLS - STARTER	32
SPECIAL TOOLS - TEST EQUIPMENT	35
STARTER	12
STEERING ARM	8

NOTE: *Indented description indicate that these parts are included in preceeding assembly.*

AR = As Required

NSS = Not Sold Separate

OPT = Optional

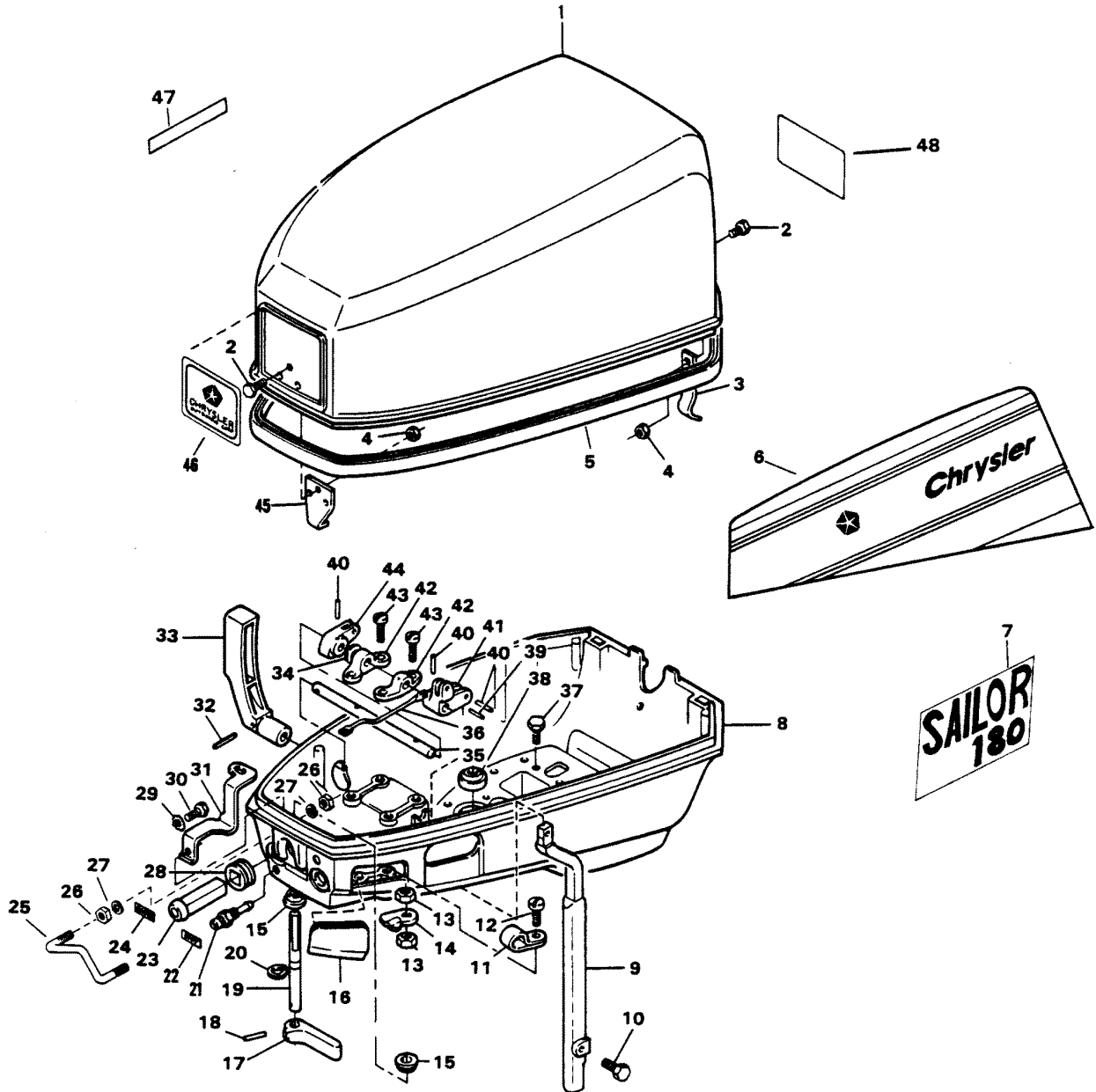
NS = Not Shown

THESE PARTS BOOKS/FICHE CARD ARE COPYRIGHTED AND MAY NOT BE DISTRIBUTED OR REPRODUCED IN ANY OTHER FORMAT BY ANYONE OTHER THAN MERCURY MARINE WITHOUT THE PRIOR WRITTEN CONSENT OF MERCURY MARINE.

THIS PAGE INTENTIONALLY LEFT BLANK

ENGINE COVER AND SUPPORT PLATE

Order by Part number and Name, giving motor model and Serial number.



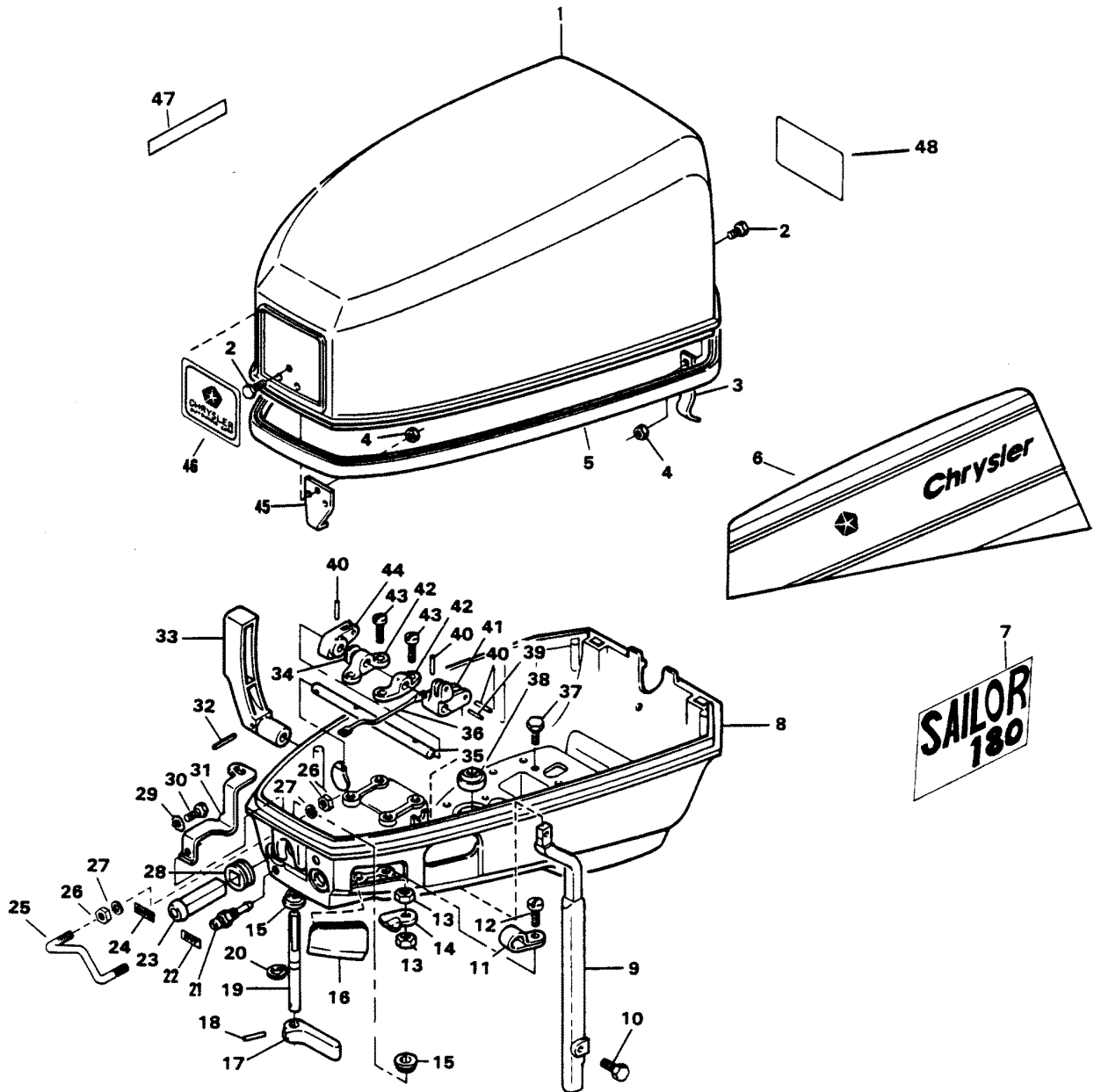
ENGINE COVER AND SUPPORT PLATE

REF. NO.	PART NO.	SYM.	QTY.	DESCRIPTION
1	FS537712		1	ENGINE COVER W/PACKING, REAR RETAINER AND LATCH BRACKET
-	2C621712		1	ENGINE COVER COMPLETE. INCLUDES ALL ITEMS MARKED WITH AN ASTERISK (*), ORDER "SAILOR 180" SEPARATE
2	F1475		7	FILL HD SCREW, 10 - 24 X 1/2
3	817858A1		2	RETAINER ENGINE COVER W/ILLUS. 2 AND 4 ORIGINAL FORCE P/N A 525480-1
4	F7011		7	ELASTIC STOP NUT, 10 - 24
5	FK525713		1	ENGINE COVER PACKING W/LITERATURE
6	FA621396		1	DECAL "CHRYSLER" - STARBOARD W/LITERATURE
-	FA621397		1	DECAL "CHRYSLER" - PORT W/LITERATURE
7	FA539391		1	DECAL, SAILOR 180 ST'BD W/LITERATURE
-	FA539392		1	DECAL, SAILOR 180 PORT W/LITERATURE
8	A487038		1	SUPPORT PLATE W/EYELET
9	F525615		1	ROD GEAR SHIFT UPPER
10	F1950		1	HEX HD SCREW, 10 - 24 X 5/8
11	F178446		1	CLAMP LEAD WIRE
12	F1734		1	SLOTTED FILL HD SCREW, 1/4 - 20 X 1/2
13	F1515		2	NUT, 5/16 - 18
14	F392777		1	CAM COVER LATCH
15	F307818		2	BEARING (NYLINER)
16	F525840		1	GROMMET REMOTE THROTTLE CABLE
-	F84991-1		1	GROMMET LIGHTING COIL WIRE
17	F525469		1	HANDLE LATCH
18	F8547		1	SPRING PIN, 1/8 X 5/8
19	F525763		1	SHAFT COVER LATCH
20	F73741-1		1	RING
21	F197767-1		1	BUSHING FUEL LINE
22	F525390		1	DECAL STOP - U.S.A.
-	FC525390		1	DECAL STOP - CANADA
23	F521547		1	CHOKE KNOB
24	F525394		1	DECAL CHOKE - U.S.A.
-	FC525394		1	DECAL CHOKE - CANADA
25	F487455		1	GUIDE STARTER ROPE
26	F1513		4	HEX NUT
27	F8058		4	INTERNAL TOOTH LOCKWASHER
28	F525504		1	GROMMET, CHOKE ROD
29	F1975		1	LOCKWASHER, #10
30	F2041		1	HEX HD SCREW, 10 - 24 X 3/8
31	F525925		1	LINK CHOKE KNOB
32	F8567		1	SPRING PIN, 1/8 X 13/16
33	F525614		1	HANDLE GEAR SHIFT
34	F8049		1	WASHER BOWED SPRING
35	F525871		1	SHAFT GEAR SHIFT LEVER

CONTINUED ON NEXT PAGE ➡

ENGINE COVER AND SUPPORT PLATE

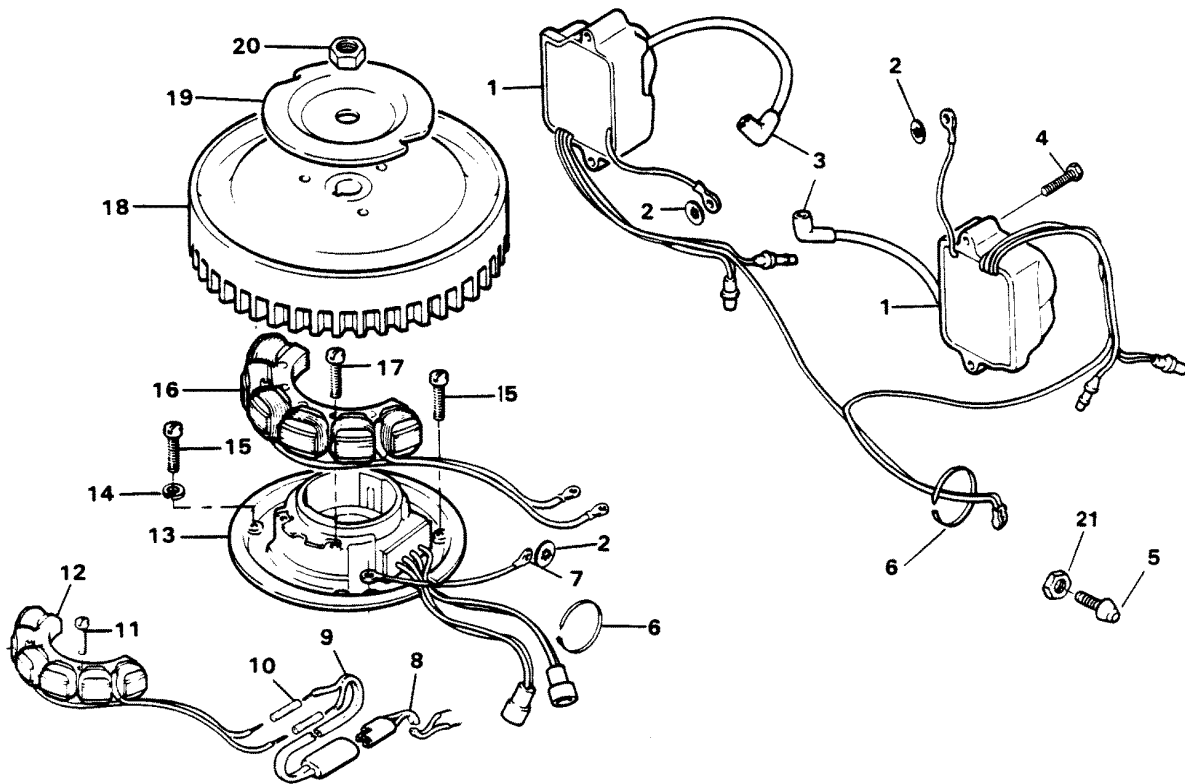
Order by Part number and Name, giving motor model and Serial number.



ENGINE COVER AND SUPPORT PLATE

REF. NO.	PART NO.	SYM.	QTY.	DESCRIPTION
36	F525263		1	LINK STARTER INTERLOCK
37	F1689		2	HEX HD SCREW, 1/4 - 20 X 1/2
38	F318307		1	SEAL, DRIVESHAFT
39	F8538		1	SPRING PIN, 3/32 X 1/2
40	F8547		3	SPRING PIN, 1/8 X 5/8
41	F525876		1	LEVER GEAR SHIFT
42	F318818		2	BEARING, SHIFT LEVER SHAFT
43	F1573		4	FILL HD SCREW, 1/4 - 20 X 1/2
44	F525977		1	LEVER SHIFT INTERLOCK
45	FA525774		1	BRACKET COVER LATCH W/ILLUS. 2 AND 4
46	FA621892		1	DECAL ENGINE COVER FRONT W/LITERATURE
47	F609400		1	DECAL, SHIFT (ST'BD)
48	FA621528		1	DECAL, ENGINE COVER REAR

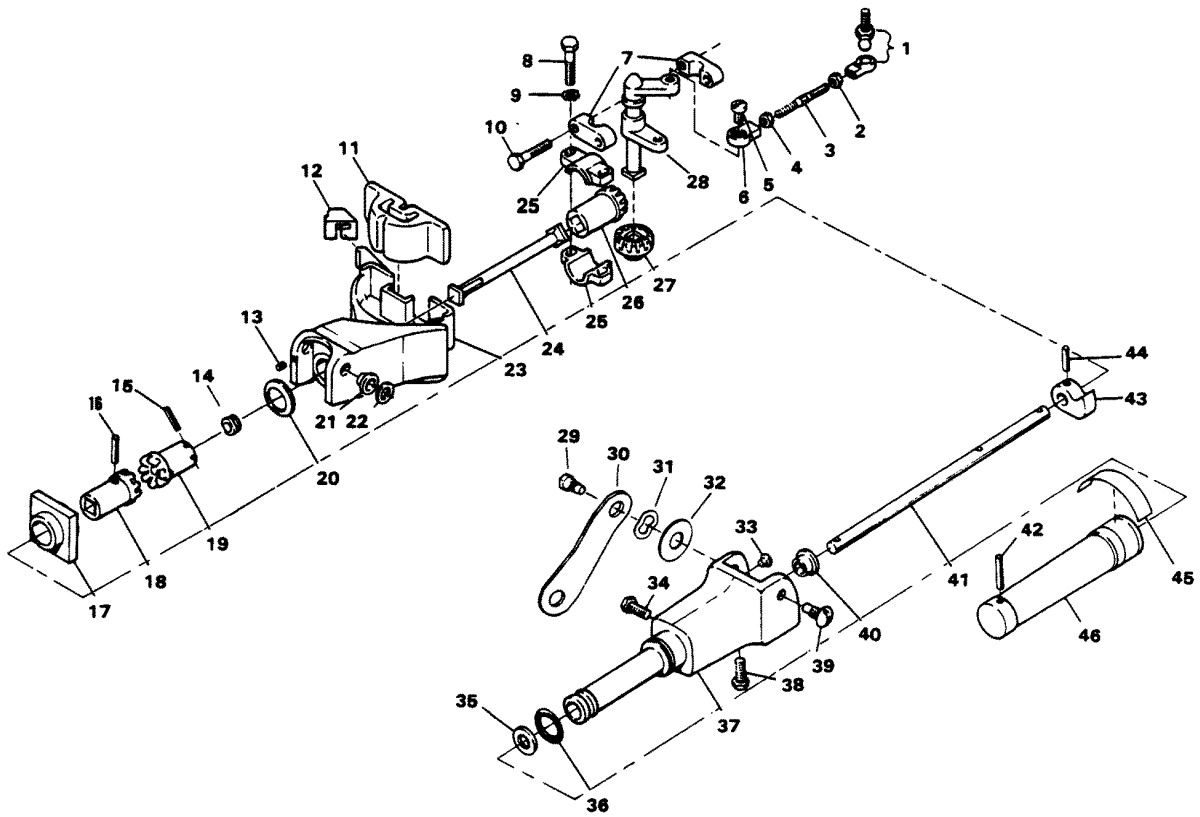
ELECTRICAL COMPONENTS



ELECTRICAL COMPONENTS

REF. NO.	PART NO.	SYM.	QTY.	DESCRIPTION
1	F525475		2	C-D MODULE COIL
2	F2106		3	LOCKWASHER
3	FK1123		2	SPARKIE KIT
4	F525064		4	SCREW - C-D COIL
5	FK436449		1	SHORTING SWITCH WILLUS. 21
6	F1877		2	TY-RAP
7	F404908		1	WIRE, STATOR GROUND
8	F521843		1	CABLE LIGHTING COIL EXT. (5 FOOT)
9	FA521841		1	CABLE LIGHTING COIL WILLUS. 10
10	F448874		2	SPLICE
11	F1087		2	SLOTTED FILL HD SCREW, 10 - 24 X 13/16
12	F525095		1	STATOR ALTERNATOR
13	F525029		1	STATOR - TRIGGER
14	F1975		1	SPRING LOCKWASHER
15	F2010		4	FILL HD SCREW, 10 - 32 X 9/16
16	F525301		1	STATOR - C-D
17	F1087		2	FILL HD SCREW, 10 - 24 X 13/16
18	F525097		1	FLYWHEEL
19	F901456-1		1	COLLAR, EMERGENCY START
20	F1809		1	FLYWHEEL NUT
21	F436280		1	NUT, SHORTING SWITCH

STEERING ARM

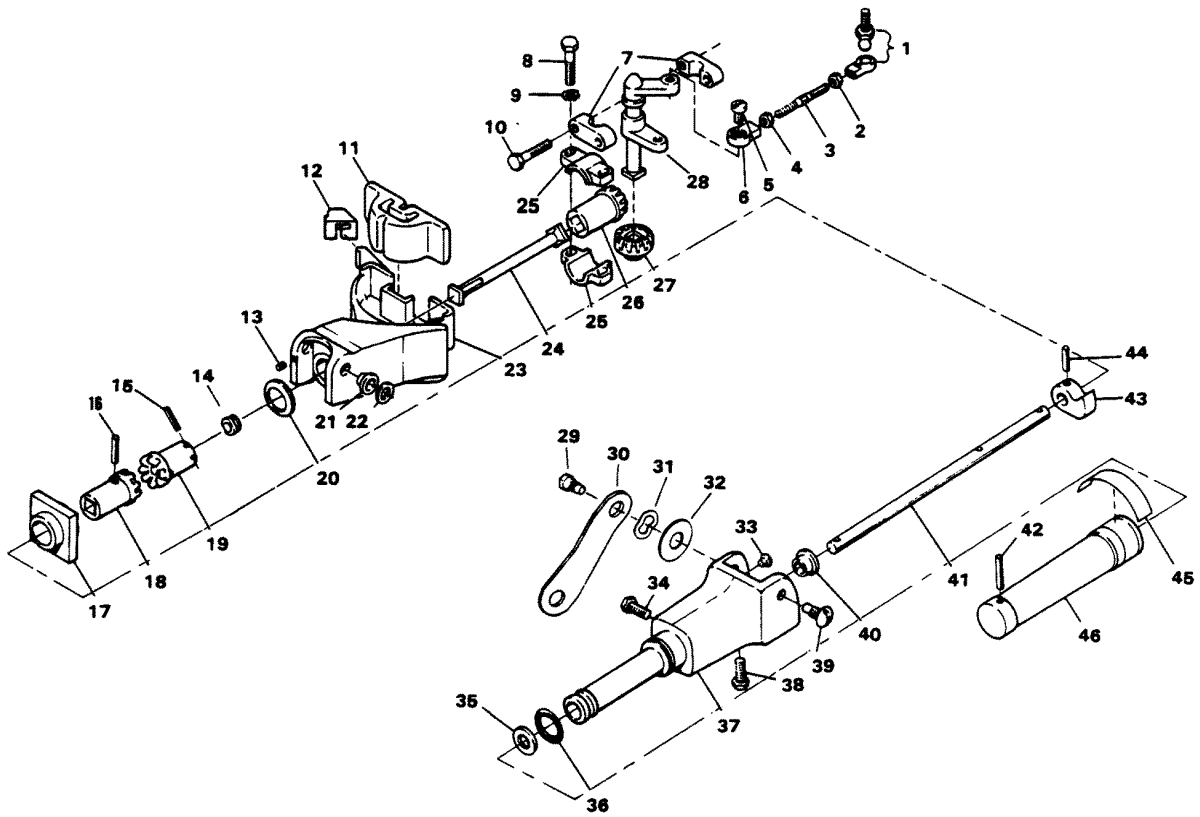


STEERING ARM

REF. NO.	PART NO.	SYM.	QTY.	DESCRIPTION
1	817747--1		1	JOINT, BALL ASSEMBLY
2	F1513		1	NUT, 10 - 32
3	F525445		1	LINK, MAGNETO STATOR CONTROL
4	F7027		1	NUT (LEFT HAND), 10 - 24
5	F84026		1	SHOULDER SCREW
6	F84036		1	BEARING, SPARK CONTROL
7	F525689		2	TOWERSHAFT BEARING
8	F525751		2	SCREW
9	F8060		2	LOCKWASHER
10	F1699		2	HEX HD SCREW, 1/4 - 20 X 1 1/8
11	F318347-1		1	UPPER MOUNT
12	F318539		1	BUMPER
13	F1471		1	HEX SET SCREW, 10 - 24 X 1/4
14	F318504		1	GROMMET
15	F8540		1	SPRING PIN, 3/32 X 5/8
16	F8567		1	SPRING PIN, 1/8 X 13/16
17	F525816-1		1	BEARING, STEERING HANDLE GEAR
18	F525815		1	GEAR, STEERING HANDLE
19	F525691		1	GEAR, STEERING ARM
20	F8043		1	WAVE WASHER
21	F390689		2	BEARING, STEERING ARM PIVOT SCREW
22	F525220		2	WASHER, STEERING HANDLE
23	F525582-1		1	STEERING ARM
24	F525877		1	SHAFT, MAGNETO CONTROL
25	F525665		2	BEARING, GEAR PINION TOWERSHAFT
26	F525627		1	GEAR, TOWERSHAFT PINION
27	F525605		1	GEAR, TOWERSHAFT
28	F525838		1	TOWERSHAFT
29	F516080		1	SCREW PIVOT
30	F487078		1	STEERING LOCK BRACKET
31	F516821		1	WAVE WASHER, STEERING PIVOT SCREW
32	F516124		1	PLAIN WASHER
33	F525524		1	RIVET, STEERING HANDLE
34	F458519		1	SCREW, IDLE STOP
35	F215795		1	SEAL, STEERING HANDLE DAMPENER
36	F53795-1		1	SEAL, STEERING HANDLE DAMPENER
37	F525079		1	HANDLE - STEERING
38	F1974		1	SCREW, STEERING HANDLE BEARING
39	F525080		2	SCREW, STEERING HANDLE PIVOT
40	F307818		1	BEARING, STEERING HANDLE SHAFT
41	F525688-1		1	SHAFT, STEERING HANDLE
42	F8548		1	SPRING PIN, 1/8 X 1

CONTINUED ON NEXT PAGE ➡

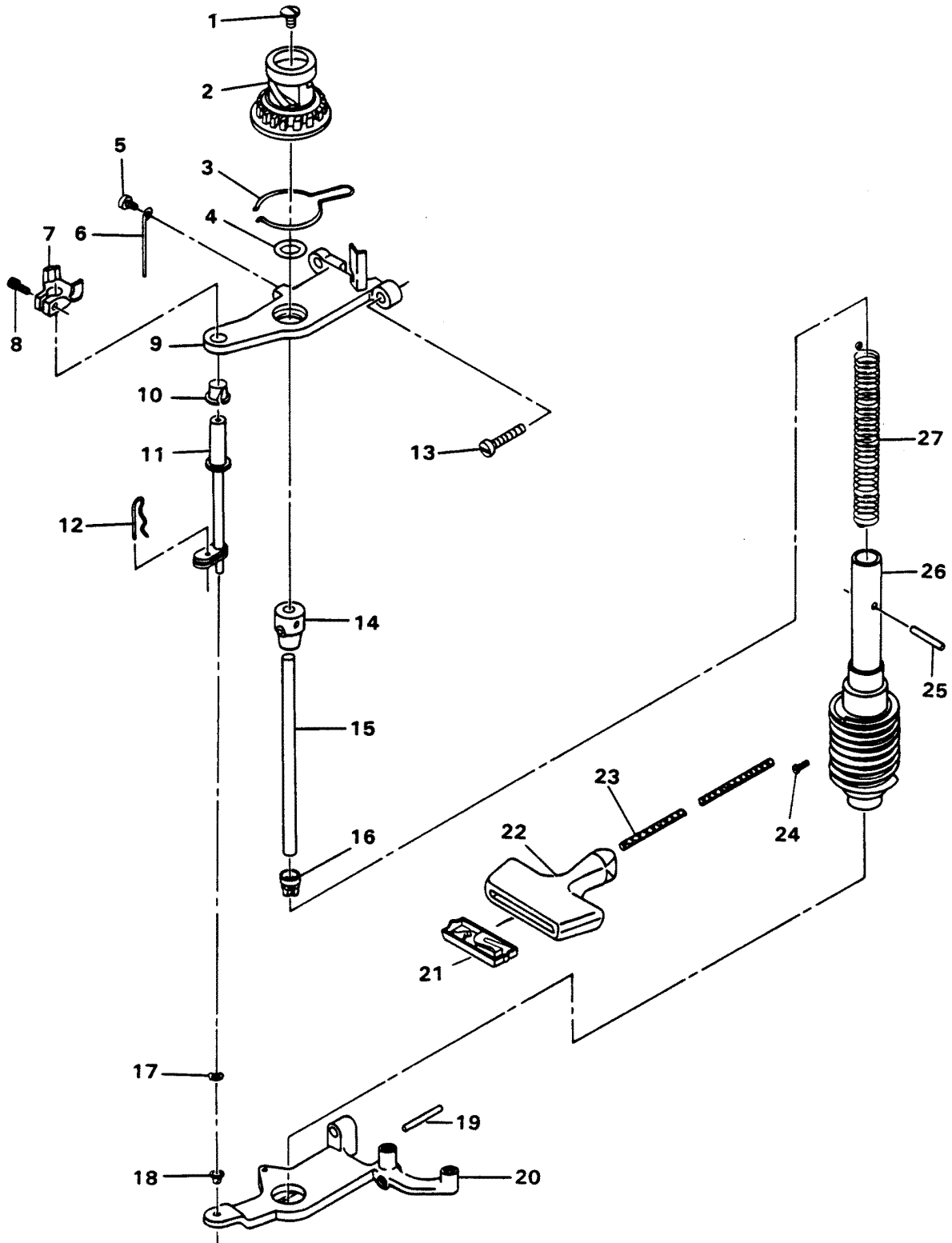
STEERING ARM



STEERING ARM

REF. NO.	PART NO.	SYM.	QTY.	DESCRIPTION
43	F525198		1	THROTTLE STOP
44	F8547		1	SPRING PIN, 1/8 X 5/8
45	F286894-3		1	INDICATOR STEERING HANDLE - USA
-	37-F286894-3		1	INDICATOR STEERING HANDLE - CANADA
46	F429137		1	GRIP, STEERING HANDLE

STARTER

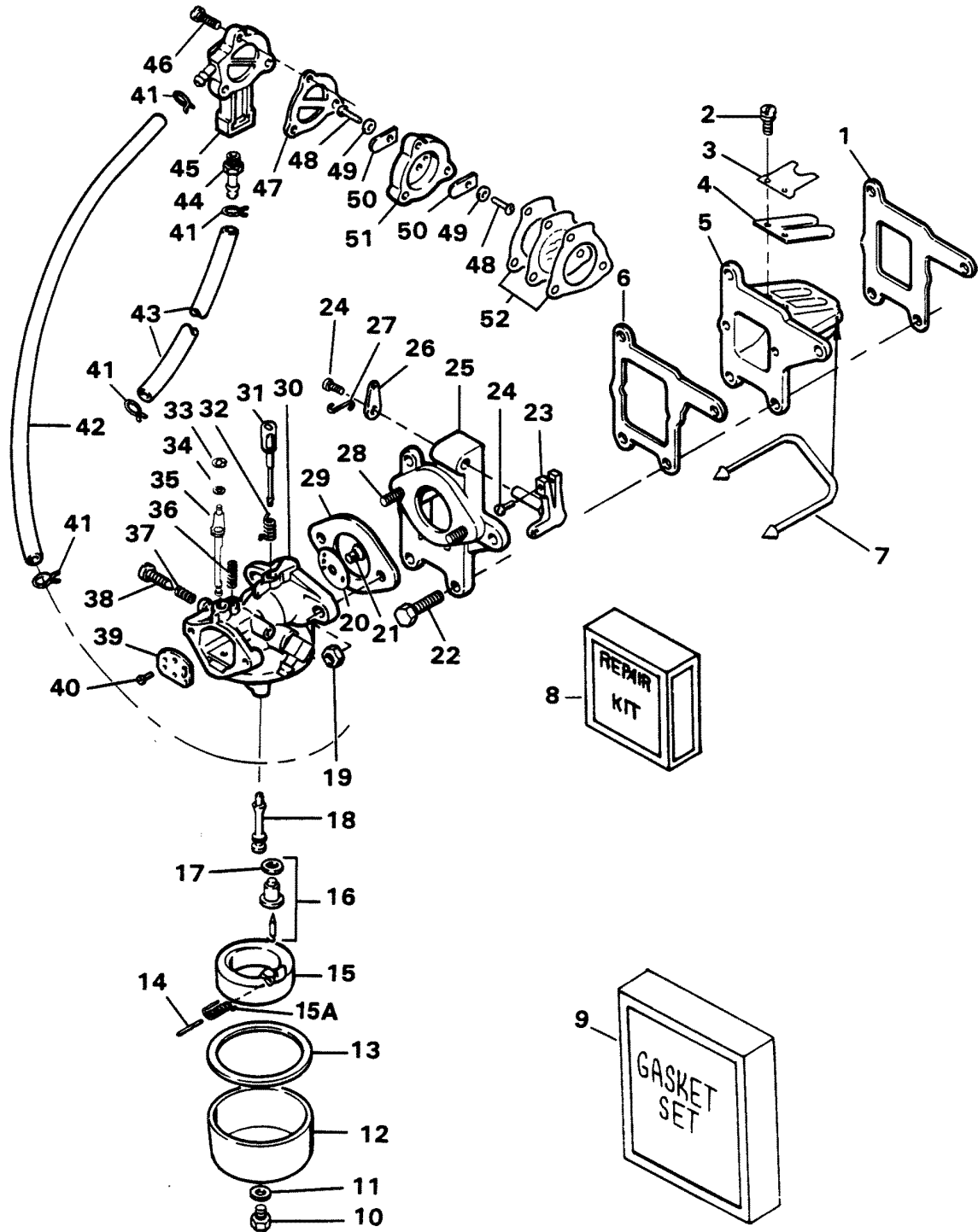


OR 3839

STARTER

REF. NO.	PART NO.	SYM.	QTY.	DESCRIPTION
1	F525457		1	SCREW
2	F525674-1		1	GEAR STARTER PINION
3	F525424		1	SPRING STARTER PINION
4	F53795-1		1	SEAL
5	F1760		1	PAN HD SCREW, 10 - 24 X 3/8
6	F525455		1	GUIDE STARTER ROPE
7	F525781		1	INTERLOCK STARTER
8	F2031		1	HEX HD SCREW, 1/4 - 20 X 3/4
9	F525427-1		1	BRACKET STARTER UPPER
10	F269689		1	BEARING STARTER BRACKET UPPER
11	F525105		1	SHAFT INTERLOCK
12	F525629		1	COTTER PIN
13	F1052		4	FILL HD SCREW, 1/4 - 20 X 1
14	F901739		1	DRIVE STARTER REWIND SPRING
15	F901710		1	POST STARTER SPRING GUIDE
16	F525737		1	RETAINER STARTER REWIND SPRING
17	F8070		1	BOWED SPRING WASHER
18	F197813		1	BEARING STARTER BRACKET LOWER
19	F8571		1	SPRING PIN, 1/8 X 1 3/4
20	F525675		1	BRACKET STARTER LOWER
21	817938A1		1	RETAINER W/LITERATURE ORIGINAL FORCE P/N K 286817-1
22	F286132		1	HANDLE STARTER ROPE
23	F409232		1	ROPE STARTER
24	F1500		1	RD HD SHEET METAL SCREW #4 X 1/4
25	F40425		1	PIN STARTER PINION
26	817856A1		1	SPOOL STARTER W/ ILLUS. 24 ORIGINAL FORCE P/N A 525239-1
27	F901970		1	SPRING STARTER REWIND

FUEL SYSTEM

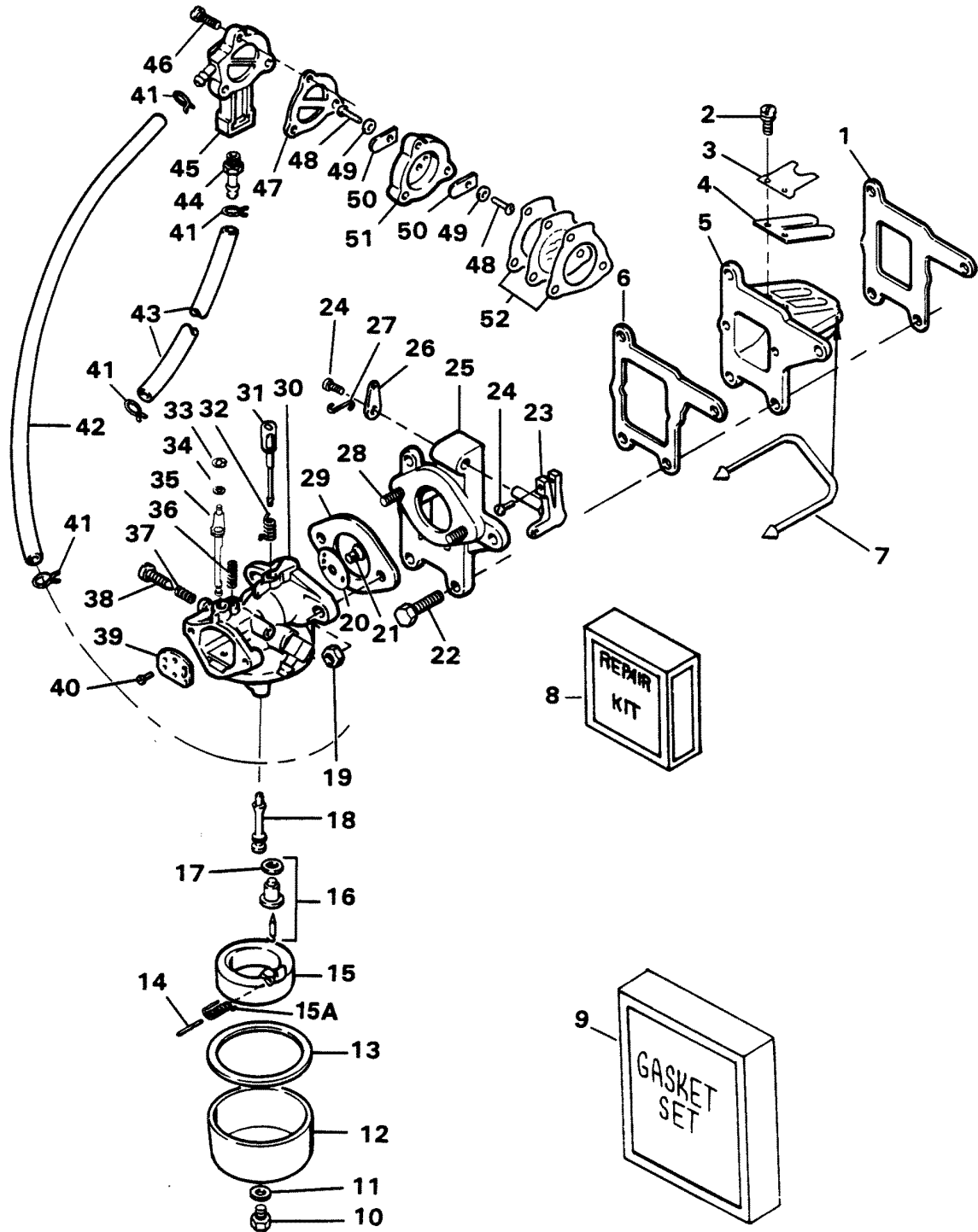


FUEL SYSTEM

REF. NO.	PART NO.	SYM.	QTY.	DESCRIPTION
1	F525159		1	GASKET, REED PLATE
2	F1755		4	RD HD SCREW & SPRING LOCKWASHER ASSEMBLY, 6 - 32 X 5/16
3	F526161		2	REED STOP
4	F31160-1		2	REED
5	F2A525158		1	PLATE REED W/ILLUS. 7
6	F525168		1	GASKET MANIFOLD
7	F525984		1	SEAL, REED PLATE
8	F10083		1	REPAIR KIT. INCLUDES ALL ITEMS MARKED WITH DOUBLE ASTERISKS (**)
9	F10069		1	GASKET KIT. INCLUDES ALL ITEMS MARKED WITH AN ASTERISK (*)
10	F10089		1	JET ASSEMBLY, STD. .041 SEA LEVEL - 3000 FT.
-	F10097		-	JET ASSEMBLY, OPT. .040 3000 - 5000 FT.
-	F10096		-	JET ASSEMBLY, OPT. .039 5000 - 7000 FT.
-	F10093		-	JET ASSEMBLY, OPT. .038 7000 FT. & UP
11	F10090		1	GASKET FUEL BOWL RETAINER
12	F10058		1	FUEL BOWL
13	F10068		1	GASKET BODY TO BOWL
14	F10064		1	SHAFT - FLOAT
15	F10063		1	FLOAT
15A	F10084		1	FLOAT SUPPORT SPRING
16	F10101		1	KIT - VALVE, SEAT, SPRING & GASKET
17	F10066		1	GASKET VALVE SEAT
18	F10088		1	NOZZLE
19	F1490		2	NUT, 1/4 - 20
20	F10091		1	VALVE THROTTLE
21	F10071		1	SCREW, THROTTLE VALVE
22	F1532		4	HEX HD SCREW, 1/4 - 20 X 1
23	F525316-1		1	FOLLOWER THROTTLE CAM
24	F1772		2	HEX HD SCREW, 8 - 32 X 1/2
25	FA525167		1	MANIFOLD W/ILLUS. 28
26	F525081-1		1	LEVEL THROTTLE
27	F525193		1	LINK THROTTLE
28	F2788004		2	STUD CARBURETOR
29	F18906		1	GASKET CARBURETOR
30	1300-817966A4		1	CARBURETOR W/ILLUS. 33 AND LITERATURE ORIGINAL FORCE P/N K 526061-4
31	F10081		1	SHAFT ASSEMBLY - THROTTLE
32	F10085		1	SPRING THROTTLE RETURN
33	F90807		1	RETAINING RING
34	F2042		1	WASHER
35	F10061		1	CHOKE SHAFT ASSEMBLY
36	F10072		1	SPRING CHOKE STOP

CONTINUED ON NEXT PAGE ➡

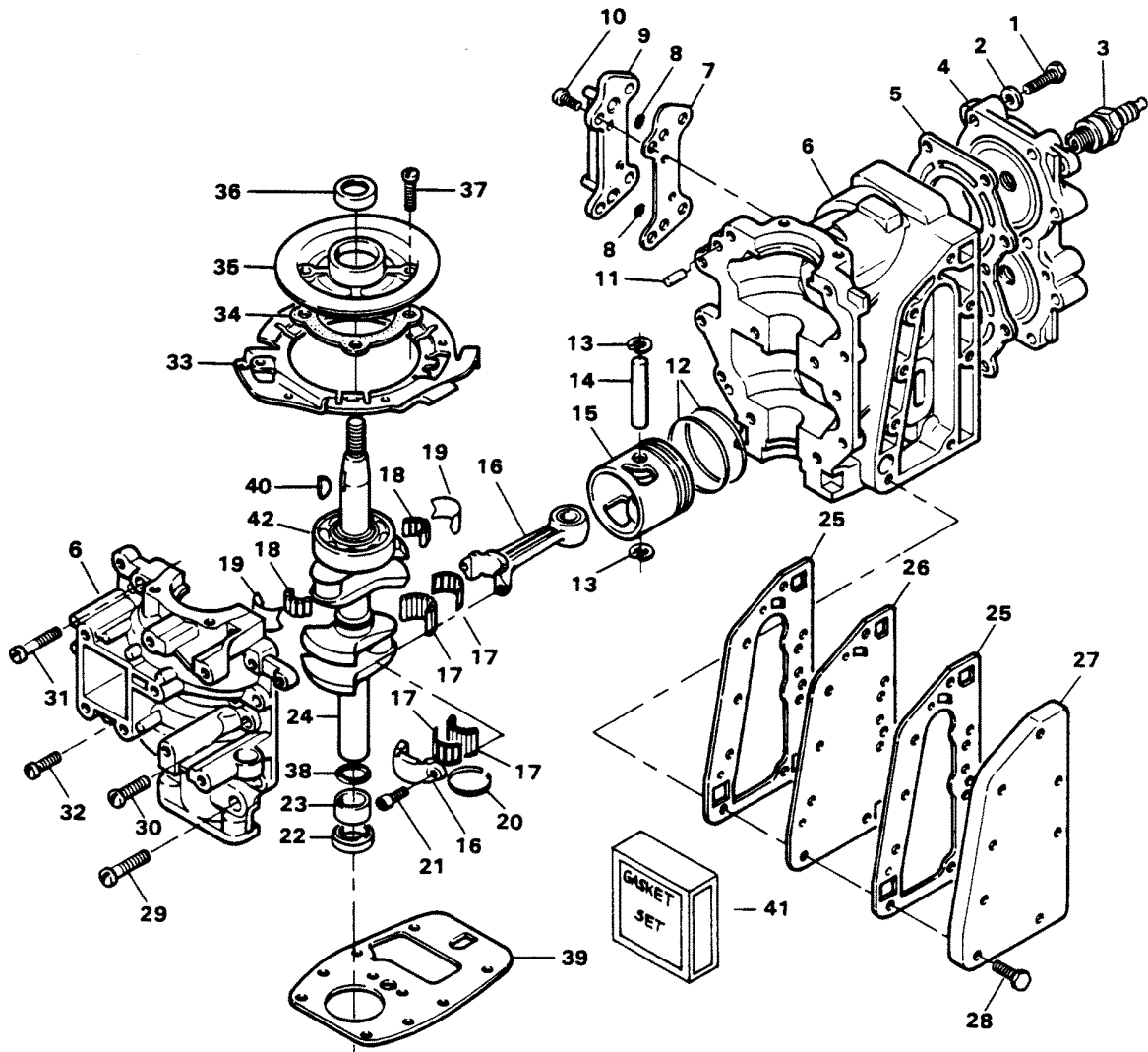
FUEL SYSTEM



FUEL SYSTEM

REF. NO.	PART NO.	SYM.	QTY.	DESCRIPTION
37	F10073		1	SPRING IDLE NEEDLE
38	F10077		1	NEEDLE - IDLE
39	F10062		1	CHOKE VALVE ASSEMBLY
40	F10070		2	SCREW ASSEMBLY - CHOKE VALVE
41	F2706772		4	CLAMP HOSE
42	FA84253		1	HOSE WILLUS. 41
43	FA84253		1	HOSE WILLUS. 41
44	F901811		1	FILTER FUEL PUMP
45	F901746-2		1	COVER FUEL PUMP
46	F1069		3	FILL HD SCREW, 10 - 24 X 1 1/16
47	F24748-2		1	GASKET FUEL PUMP
48	F1286		2	PAN HD SCREW, #4 - 40 X 3/16
49	F8003		2	PLAIN WASHER
50	F18160-2		2	REED FUEL PUMP
51	F2A24757		1	PLATE FUEL PUMP REED WILLUS. 48, 49 AND 50
52	27-818043A1		1	DIAPHRAGM, FUEL PUMP W/GASKETS
53	F10116		1	KIT - PLUG, BODY CHANNEL (NOT SHOWN)

POWER HEAD

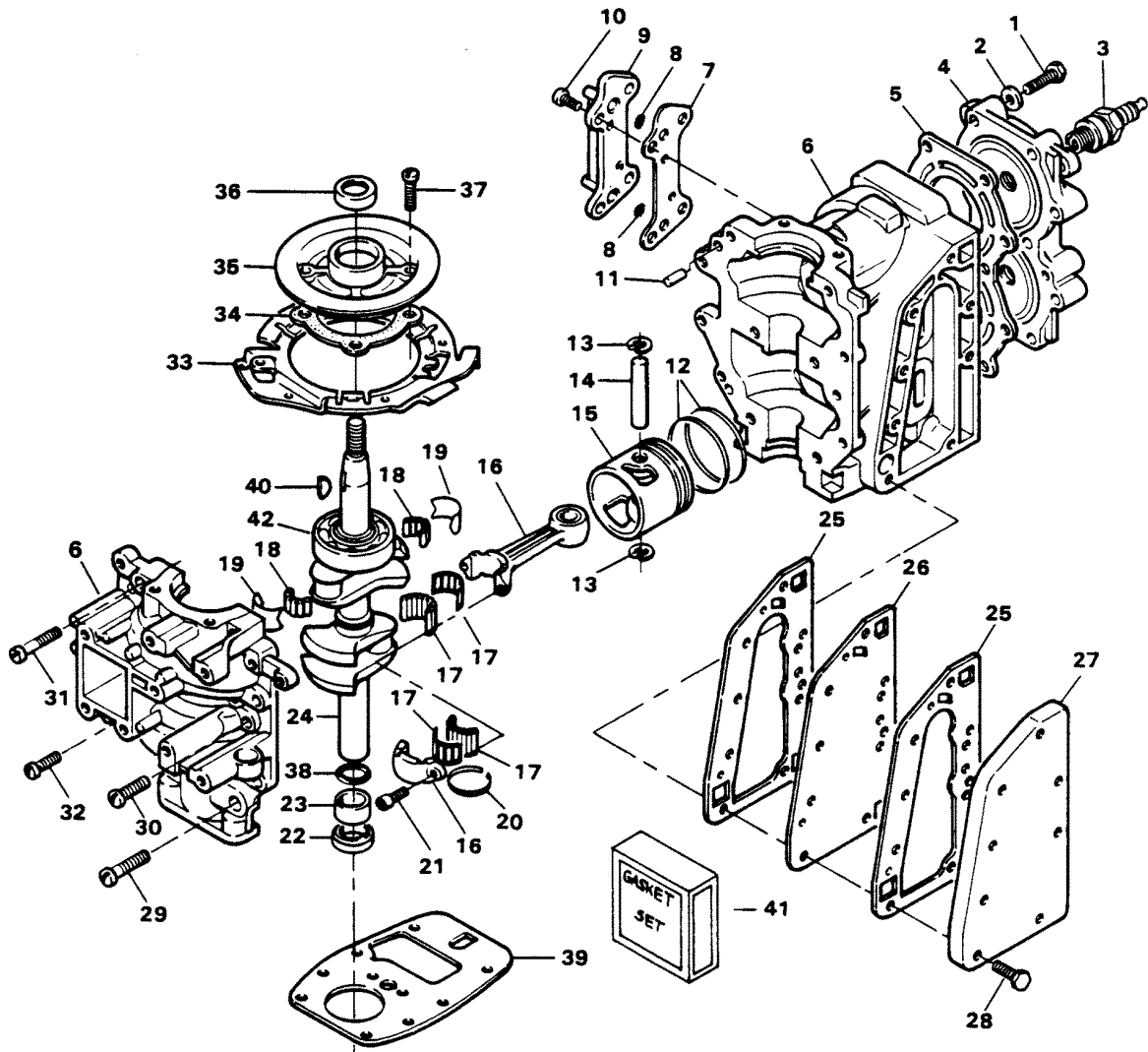


POWER HEAD

REF. NO.	PART NO.	SYM.	QTY.	DESCRIPTION
1	F901938-1		10	SCREW, CYLINDER HEAD
2	F8025		10	PLAIN WASHER
3	33-82370M		2	SPARK PLUG (L-86)
-	C341227		2	SPARK PLUG, (QL - 86) CANADA ONLY
4	F525518		1	CYLINDER HEAD
5	F525529		1	GASKET, CYLINDER HEAD
6	F2A525010		1	CYLINDER W/ILLUS. 11, 29 AND 31
-	FC525010		1	CYLINDER COMPLETE (NOT SHOWN). INCLUDES ALL ITEMS MARKED WITH AN ASTERISK (*)
7	F525472		1	GASKET, CYLINDER DRAIN COVER
8	F429811		2	SCREEN, CYLINDER DRAIN
9	FA525471		1	COVER, CYLINDER DRAIN W/CHECK VALVE AND ILLUS. 8
10	F1110		4	SCREW, 1/4 - 20 X 5/8
11	F8559		2	DOWEL PIN
12	39-818038A1		2	PISTON RING (2 RINGS)
13	F250410		4	PISTON PIN RETAINING RING
14	F250017		2	PISTON PIN
15	F525015		2	PISTON
16	F2A521016		2	CONNECTING ROD W/ITEM 21
17	F2A237228		2	BEARING ASSEMBLY W/CAGE & ROLLERS
18	F286571		1	ROLLER ASSEMBLY, CENTER MAIN BEARING
19	FA286155		1	LINER, CENTER MAIN W/LITERATURE
20	F525579		1	CRANKCASE SEAL
21	F36634		4	CONNECTING ROD SCREW
22	F141118		1	SEAL, CRANKSHAFT LOWER
23	F341014		1	BEARING, CRANKSHAFT LOWER MAIN
24	F2A525018		1	CRANKSHAFT W/ILLUS. 42
25	F525154		2	GASKET EXHAUST
26	F525151		1	PLATE EXHAUST
27	F525152		1	COVER EXHAUST
28	F1532		8	SCREW, 1/4 - 20 X 1
29	F1257		2	SCREW, 5/16 - 18 X 1 1/4
30	F1994		2	SCREW, 5/16 - 18 X 1
31	F1044		2	SCREW, 1/4 - 20 X 1 3/8
32	F1107		6	SCREW, 1/4 - 20 X 3/4
33	F525082		1	RING STATOR
34	F286277		1	GASKET, CRANKSHAFT BEARING CAGE
35	1100-817753A1		1	CAGE, CRANKSHAFT BEARING W/ILLUS. 36 ORIGINAL FORCE P/N A 286144-1
36	F346146		1	SEAL, CRANKSHAFT UPPER
37	F1111		4	FILL HD SCREW, 1/4 - 20 X 7/8
38	F468342		1	SEAL, CRANKSHAFT SPLINE
39	F525279		1	GASKET, CYLINDER MOUNTING
40	F458498		1	MAGNETO KEY

CONTINUED ON NEXT PAGE ➡

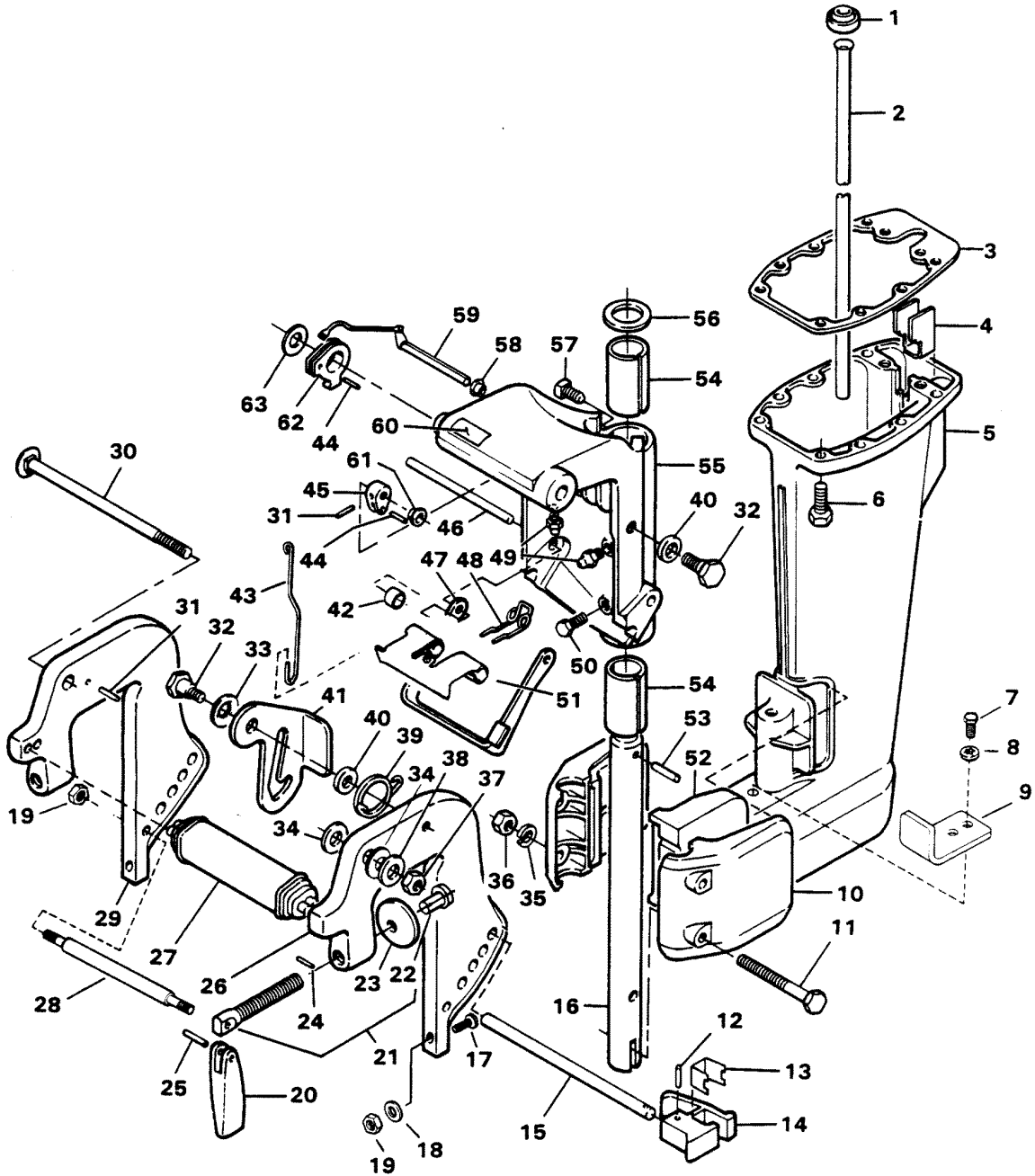
POWER HEAD



POWER HEAD

REF. NO.	PART NO.	SYM.	QTY.	DESCRIPTION
41	FG1018		1	GASKET SET. INCLUDES ITEMS LISTED BELOW
-	F18906		1	GASKET, CARBURETOR
-	F286277		1	GASKET, CRANKSHAFT BEARING CAGE
-	F525154		2	GASKET, EXHAUST
-	F525159		1	GASKET, REED PLATE
-	F525168		1	GASKET, MANIFOLD
-	F525279		1	GASKET, CYLINDER MOUNTING
-	F525453		1	GASKET, LEG MOUNTING
-	F525529		1	GASKET, CYLINDER HEAD
-	F525472		1	GASKET, CYLINDER DRAIN COVER
42	F286028		1	BEARING, CRANKSHAFT UPPER MAIN

MOTOR LEG

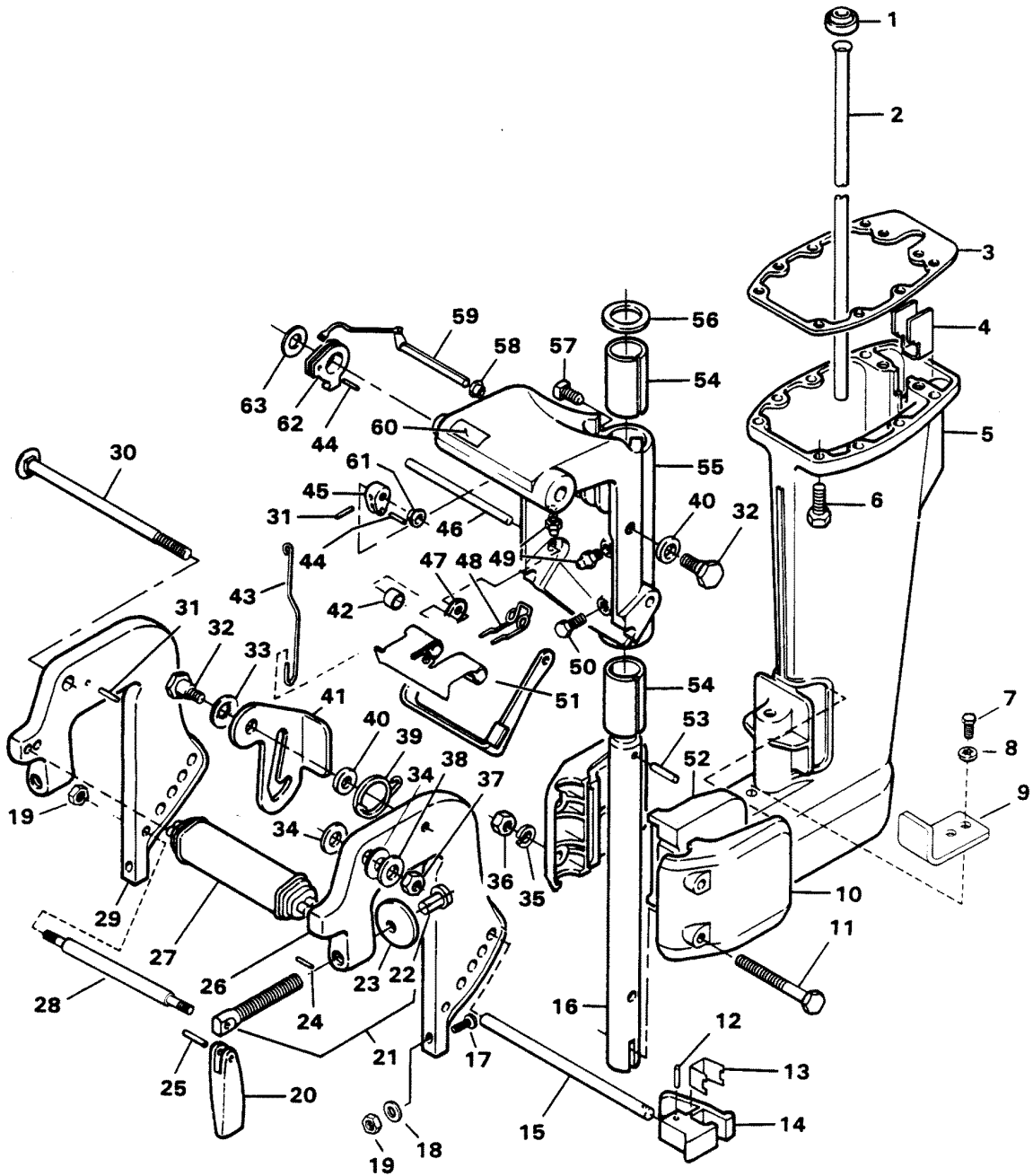


MOTOR LEG

REF. NO.	PART NO.	SYM.	QTY.	DESCRIPTION
1	F318342		1	SEAL, WATERLINE INLET UPPER
2	F516244		1	WATERLINE (STD. LEG)
3	F525453		1	GASKET LEG MOUNTING
4	F525779		1	BAFFLE IDLE RELIEF
5	F526133		1	MOTOR LEG
6	F1532		8	HEX CAP SCREW, 1/4 - 20 X 1
7	F1464		2	HEX HD M. SCREW, 1/4 - 28 X 3/8
8	F2106		2	INTERNAL TOOTH LOCKWASHER
9	F516463		1	BRACKET, REVERSE THRUST
10	F525707		2	COVER, SHOCK MOUNT LOWER
11	F1972		2	HEX HD SCREW, 1/4 - 20 X 2 1/2
12	F8540		1	SPRING PIN, 3/32 X 5/8
13	F286461		1	SPRING LOCK BAR HANDLE
14	F286114		1	HANDLE LOCK BAR
15	FA286113		1	BAR LOCK WILLUS. 12, 13 AND 14
16	F525019		1	KINGPIN
17	F1887		2	HEX SLOTTED HD SCREW, 1/4 - 20 X 3 3/16
18	F2012		2	PLAIN WASHER
19	F7024		4	LOCK NUT
20	F424075		2	HANDLE CLAMP SCREW
21	817761A2		2	SCREW CLAMP WILLUS. 22, 23, AND 24 ORIGINAL FORCE P/N A 298073-2
22	F66480		2	STUD CLAMP SCREW
23	F24074		2	FOOT CLAMP SCREW
24	F8537		2	SPRING PIN
25	F8554		2	SPRING PIN, 3/16 X 3/4
26	FK567532		1	BRACKET STERN PORT WILLUS. 17, 18, 19, AND 21
27	F286647		1	HANDLE CARRYING
28	F517273		1	TIE BAR
29	FK567532		1	BRACKET STERN STARBOARD WILLUS. 17, 18, 19, AND 21 ORIGINAL FORCE P/N K 517032-1
30	F286037		1	BOLT STERN BRACKET
31	F8538		2	SPRING PIN, 3/32 X 1/2
32	F286422-1		2	PIVOT TILT LOCK
33	F1666		1	WAVE WASHER
34	F286286-1		2	WASHER
35	F8083		2	LOCKWASHER
36	F1341		2	NUT, 1/4 - 20
37	F516697		1	NUT STEERING LOCK BRACKET
38	F2014		1	PLAIN WASHER
39	F286544-1		1	SPRING TILT LOCK
40	F286451		2	SPACER TILT LOCK
41	F429541		1	LOCK TILT
42	F516677		2	SPACER REVERSE LOCK

CONTINUED ON NEXT PAGE ➡

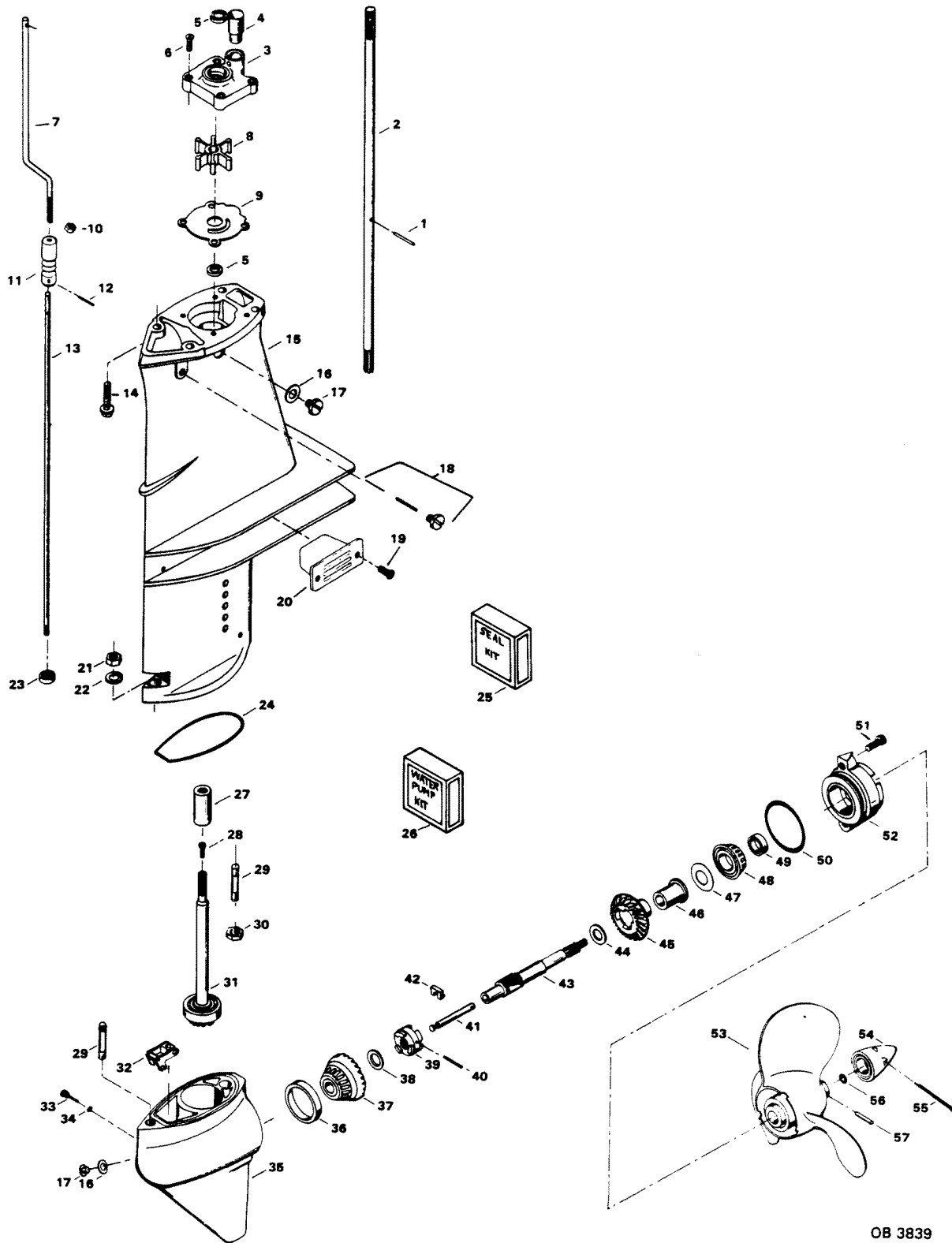
MOTOR LEG



MOTOR LEG

REF. NO.	PART NO.	SYM.	QTY.	DESCRIPTION
43	FA341510		1	LINK REVERSE LOCK LEVER W/LITERATURE
44	F1794		2	SPRING PIN, 3/32 X 3/8
45	F286364		1	LEVER REVERSE LOCK
46	F1806		1	GROOVE PIN, 5/16 - 3 3/4
47	F286433		1	BRACKET SHALLOW WATER DRIVE
48	F286300		1	SPRING REVERSE LOCK
49	F213274		2	FITTING GREASE
50	F1467		1	SCREW SWIVEL BRACKET
51	F516349		1	LOCK REVERSE
52	F525346		2	MOUNT LOWER SHOCK
53	F1805		1	SPRING PIN, 1/4 X 1-3/8
54	F286169		2	BEARING SWIVEL BRACKET
55	1400-817964A2		1	SWIVEL BRACKET W/ILLUS. 49, AND 54 ORIGINAL FORCE P/N K 525072-2
56	F286011		1	WASHER SWIVEL BRACKET
57	F525839		1	SCREW, STEERING FRICTION
58	F536813		1	BEARING
59	FA387742		1	LEVER REVERSE LOCK INTERMEDIATE
60	F286585-1		1	DECAL, TILT RELEASE - USA
61	F197813		1	BEARING
62	F286827		1	LEVER REVERSE LOCK RELEASE
63	F525286		1	WASHER

GEAR HOUSING



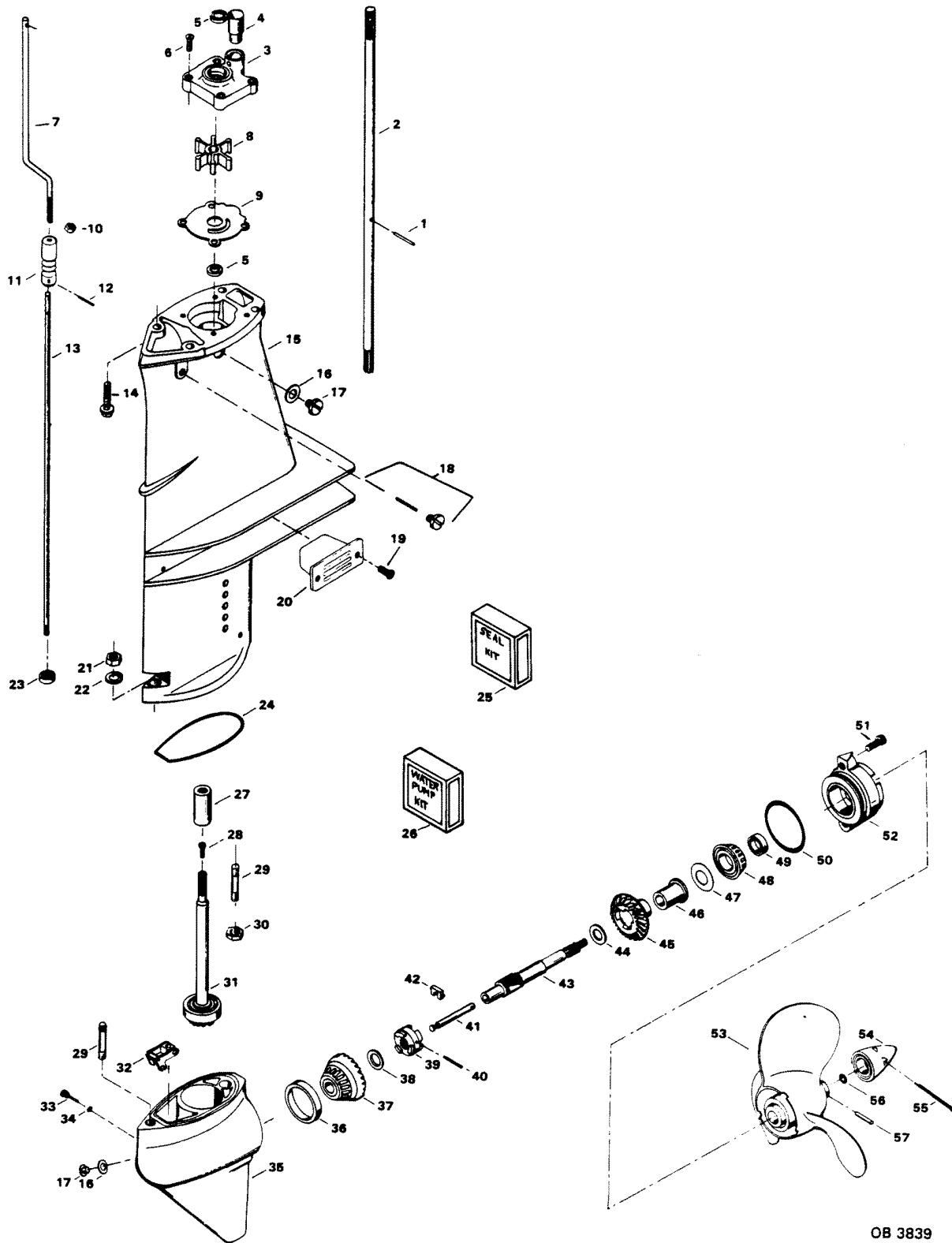
OB 3839

GEAR HOUSING

REF. NO.	PART NO.	SYM.	QTY.	DESCRIPTION
1	F50563		1	WATER PUMP IMPELLER DRIVE PIN
2	F517128		1	DRIVESHAFT
3	FA516060		1	WATER PUMP BODY W/ILLUS. 4 AND 5
4	FA510914		1	SEAL, INLET WATER LINE W/LITERATURE
5	F318307		2	SEAL
6	F2030		4	HEX HD SCREW, 1/4 - 20 X 1 1/4
7	F487616		1	GEAR SHIFT ROD INTERMEDIATE
8	F429065-1		1	WATER PUMP IMPELLER
9	F341562		1	WATER PUMP BACK PLATE
10	F1341		1	HEX NUT
11	F487704		1	COUPLING, SHIFT ROD
12	F8540		1	SPRING PIN
13	F516705		1	GEAR SHIFT ROD LOWER
14	F430732		4	HEX HD SCREW, 5/16 - 18 X 1 1/4
15	1600-817817A3		1	GEAR HOUSING UPPER W/BEARING, AND ILLUS. 5, 16, 17, 19, 20 AND 23 ORIGINAL FORCE P/N A 471554-3
16	F8077		2	NYLTITE WASHER
17	F50109		2	GEAR HOUSING PLUG
18	FA487885		1	RETAINER W/GUIDE AND SPRING
19	F1733		2	PAN HD SCREW, 10 - 24 X 9/16
20	FA516485		1	ANTI-CORROSION ANODE W/LITERATURE
21	F1346		1	HEX NUT, S.S., 3/8 - 16
22	F8065		1	LOCKWASHER
23	F338618-1		1	SEAL, SHIFT ROD LOWER
24	F435555		1	SEAL, GEAR HOUSING LOWER
25	FK1064		1	GEAR HOUSING SEAL KIT. INCLUDES ALL ITEMS MARKED WITH A DOUBLE ASTERISK (**)
26	FK1071		1	WATER PUMP KIT W/ILLUS. 3, 6, 8 AND 10
27	F516125		1	COUPLING, DRIVESHAFT
28	F1035		1	FILL HD SCREW, 1/4 - 20 X 5/8
29	F40008		2	STUD
30	F7004		1	HEX NUT, S.S., 3/8 - 16
31	F2A516266		1	PINION SHAFT W/BEARING
32	817796A2		1	GEAR SHIFT ARM ASSEMBLY
33	F498891		1	GEAR SHIFT ARM PIVOT PIN
34	F498618		1	SEAL, O-RING
35	FA516054		1	GEAR HOUSING LOWER W/ILLUS. 16, 17, AND 36
-	FC516054		-	GEAR HOUSING COMPLETE (NOT SHOWN). INCLUDES ALL ITEMS MARKED WITH AN ASTERISK (*)
36	F458250		1	BEARING CUP
37	F2A516023		1	BEVEL GEAR FORWARD W/BEARING AND SHIMS
38	F2055		A/R	SPACER, BEVEL GEAR FRONT .059
-	F2056		A/R	SPACER, BEVEL GEAR FRONT .062
-	F2057		A/R	SPACER, BEVEL GEAR FRONT .065

CONTINUED ON NEXT PAGE ➡

GEAR HOUSING

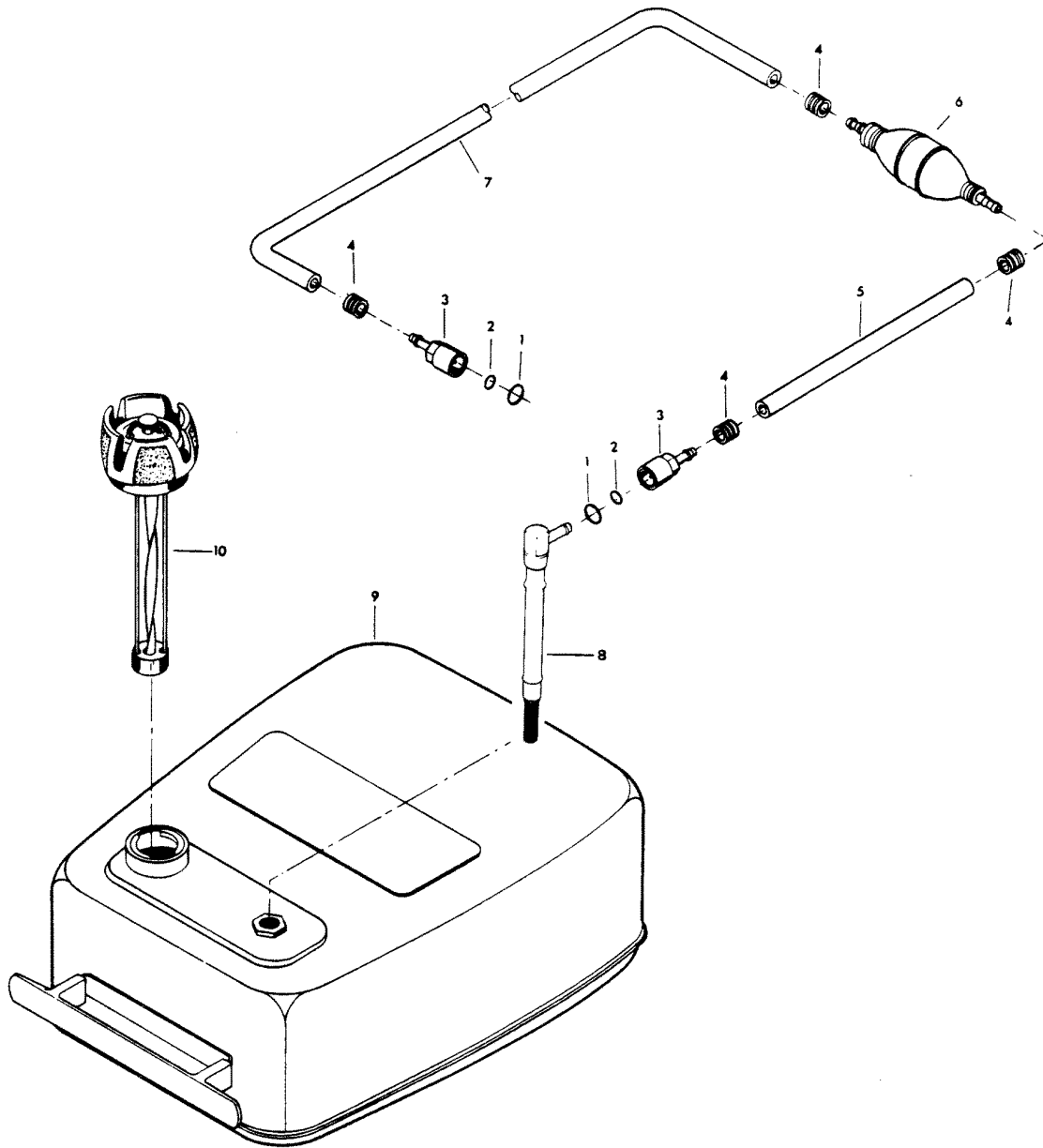


OB 3839

GEAR HOUSING

REF. NO.	PART NO.	SYM.	QTY.	DESCRIPTION
-	F2058		A/R	SPACER, BEVEL GEAR FRONT .068
-	F2059		A/R	SPACER, BEVEL GEAR FRONT .071
-	F2060		A/R	SPACER, BEVEL GEAR FRONT .074
-	F2061		A/R	SPACER, BEVEL GEAR FRONT .077
-	F2062		A/R	SPACER, BEVEL GEAR FRONT .080
-	F2063		A/R	SPACER, BEVEL GEAR FRONT .083
-	F2064		A/R	SPACER, BEVEL GEAR FRONT .086
-	F2087		A/R	SPACER, BEVEL GEAR FRONT .056
39	F99521-1		1	CLUTCH
40	F2097		1	SPRING PIN
41	F90871-3		1	GEAR SHIFT ARM PIN
42	F90619-1		1	YOKE, GEAR SHIFT ARM
43	FA474098		1	PROPELLER SHAFT
44	F40717		1	THRUST WASHER BEVEL GEAR
45	F516662		1	GEAR, BEVEL REAR
46	F474143		1	BEARING, BEVEL GEAR REAR
47	F2052		-	SHIM, PROPELLER SHAFT BEARING CAGE .005 (SILVER)
-	F2053		-	SHIM, PROPELLER SHAFT BEARING CAGE .006 (RED)
-	F2054		-	SHIM, PROPELLER SHAFT BEARING CAGE .008 (BLACK)
48	F474225		1	BEARING, PROPELLER SHAFT REVERSE THRUST
49	F141118		1	SEAL, PROPELLER SHAFT
50	F141305		1	SEAL, PROPELLER, SHAFT BEARING CAGE
51	F1994		2	HEX SOCKET HD CAP SCREW, 5/16 - 18 X 1
52	F2A474298		1	PROPELLER SHAFT BEARING CAGE W/ILLUS. 49 AND BEARING CUP
53	FP296		1	PROPELLER
54	FA94094-2		1	PROPELLER NUT W/ILLUS. 55 AND 56
55	F1027		1	COTTER PIN
56	F40342		1	SEAL, PROPELLER NUT
57	FK247		1	PROPELLER PIN (PACK OF 6 W/ILLUS. 55)

FUEL TANK AND LINE



FUEL TANK AND LINE

REF. NO.	PART NO.	SYM.	QTY.	DESCRIPTION
1	F17816		2	SEAL, FUEL LINE COUPLER
2	F17815		2	SEAL, FUEL LINE COUPLER
3	F197787-3		2	FUEL LINE COUPLER
4	F298788		4	FERRULE
5	FA84754-1		1	FUEL LINE SHORT W/FERRULES (7" LONG)
6	89396A38		1	PRIME BULB
7	32-817738A1		1	FUEL LINE, LONG W/CLAMP AND FERRULE (9' LONG)
8	F487755		1	FUEL TANK ADAPTER
9	F5H027		1	FUEL TANK (ACCESSORY ITEM) WILLUS. 1 THRU 8 & 10
10	F409251-1		1	GAUGE CAP
-	FS409752		1	FUEL LINE, COMPLETE (NOT SHOWN). INCLUDES ALL ITEMS MARKED WITH AN ASTERISK (*)
-	FC409398		1	DECAL TOTE TANK

SPECIAL TOOLS - STARTER

REF. NO.	PART NO.	SYM.	QTY.	DESCRIPTION
-	FT3139-1		0	STARTER REWIND KEY TO REWIND STARTER SPRING

SPECIAL TOOLS - POWER HEAD

REF. NO.	PART NO.	SYM.	QTY.	DESCRIPTION
-	FT2909		0	KNOCK-OFF NUT TO REMOVE FLYWHEEL
-	FT2989		0	FLYWHEEL WEDGE TO REMOVE FLYWHEEL
-	FT2998		0	TORQUE WRENCH (0-100 LBS./FT.) TO PROPERLY SECURE FASTENERS
-	FT2999		0	TORQUE WRENCH (0-600 LBS./IN.) TO PROPERLY SECURE FASTENERS
-	FT2991		0	CARBON BRUSH TO REMOVE CARBON FROM INSIDE POWERHEAD
-	FT8900		0	HOSE CLAMP PLIERS TO REMOVE AND INSTALL FUEL HOSE CLAMPS
-	FT3012		0	SEAL INSTALLER TO INSTALL UPPER CRANKSHAFT BEARING CAGE SEAL
-	FT8929		0	ADAPTER AND HEX BIT TO TORQUE CONNECTING ROD SCREWS
-	FT2997		0	RING COMPRESSOR TO INSTALL PISTONS IN CYLINDERS
-	FT1749		0	SNAP RING PLIERS TO REMOVE AND INSTALL PISTON PIN RETAINING RINGS
-	FT8926		0	PISTON RING EXPANDER TO INSTALL RINGS ON PISTONS
-	FT11202		0	SEAL INSTALLER TO INSTALL LOWER CRANKSHAFT SEAL

SPECIAL TOOLS - LOWER UNIT

REF. NO.	PART NO.	SYM.	QTY.	DESCRIPTION
-	FT8919		0	SPRING PIN PUNCH TO INSTALL AND REMOVE CLUTCH PIN
-	FT8957		0	SEAL INSTALLER TO INSTALL SHIFT ROD SEAL
-	FT2915		0	SEAL INSTALLER TO INSTALL DRIVESHAFT SEAL - UPPER AND LOWER AND PROPELLER SHAFT SEAL
-	FT8948-1		0	BEARING CAGE PULLER TO REMOVE PROPELLER SHAFT BEARING CAGE
-	FT8921		0	BEARING CUP REMOVER TO REMOVE FORWARD BEARING CUP
-	FT8918		0	BEARING GUIDE SET TO REMOVE AND INSTALL FORWARD BEARING CUP
-	FT8907		0	DRIVER HANDLE TO INSTALL BEARING CUPS AND SEALS
-	FT8920		0	BEARING INSTALLER TO REMOVE AND INSTALL PROPELLER SHAFT BEARING
-	FT8924-1		0	CHECKING GAUGE TO SHIM LOWER UNIT
-	FT8982		0	SHIM ADAPTER USE WITH T8924-1 CHECKING GAUGE
-	FT8995		0	SHIM SPACERS TO USE WITH CHECKING GAUGE (T8924-1)
-	FT8901		0	INDICATOR HOLDER TO USE WITH SHIM ADAPTER (T8982)
-	FT8902		0	DIAL INDICATOR TO USE WITH CHECKING GAUGE (T8924-1)
-	FT8904		0	FORWARD CUP INSTALLER TO INSTALL FORWARD BEARING CUP

SPECIAL TOOLS - TEST EQUIPMENT

REF. NO.	PART NO.	SYM.	QTY.	DESCRIPTION
-	FT2955A		0	TEST WHEEL TO RUN ENGINE IN TEST TANK
-	FT8950		0	LEAKAGE TESTER TO TEST LOWER UNIT SEALS FOR LEAKS
-	FT8996		0	IGNITION TESTER TO TEST TRIGGER OUTPUT
-	FT8953		0	C-D TESTER TO TEST STATOR OUTPUT AND SECONDARY VOLTAGE
-	FT11201		0	HARNESS ADAPTER USED WITH T8953 AND T8996 IGNITION TESTERS

SPECIAL TOOLS - LUBRICANTS AND SEALANTS

REF. NO.	PART NO.	SYM.	QTY.	DESCRIPTION
-	FT2961		0	LUBRICANT - RYKON GREASE #2EP
-	FT2987-1		0	LUBRICANT - ANTI-SEIZE
-	FT8969		0	LUBRICANT - 7 OZ. L PSI LUBRICANT
-	FT8983		0	SEALANT - 3 OZ RTV SILMATE
-	FT8936-1		0	SEALANT - 2 CC LOCTITE RETAINING COMPOUND #75
-	FT2962-1		0	SEALANT - 50 CC LOCTITE H, NON-HARDENING GRADE
-	FT2963-2		0	SEALANT - 2 OZ. LOCTITE D, HARDENING GRADE
-	FT8935		0	SEALANT PRIMER - 6 OZ.

ACCESSORIES

REF. NO.	PART NO.	SYM.	QTY.	DESCRIPTION
-	F5H105		0	BATTERY CHARGING SYSTEM USED IN CONJUNCTION WITH LIGHTING COIL.
-	F5H113		0	REMOTE CONTROL KIT PERMITS REMOTE CONTROL OF THROTTLE, GEAR SHIFT AND STEERING FROM FRONT OF BOAT.
-	F5H114		0	REMOTE STEERING BRACKET ADAPTS MOTOR TO CABLE TYPE REMOTE STEERING.
-	F5H013		0	FLUSHING ADAPTER FOR CLEANING COOLING SYSTEM.
-	F5H130		0	REMOTE CONTROL BOX SINGLE LEVER SURFACE MOUNT - STARBOARD.
-	F5H131		0	REMOTE CONTROL DECAL KIT DECAL FOR PORT SIDE MOUNTING OF 5H130 CONTROL.
-	F5H142		0	REMOTE CONTROL (SAILOR MODELS) RECESSED CONTROL UNIT.
-	F195/___		0	REMOTE CONTROL CABLES SHIFT AND THROTTLE, HEAVY DUTY, LENGTHS 6 TO 40 FEET.
-	F5H027		0	FUEL TANK, 6 GALLON, STEEL AUXILIARY FUEL TANK.
-	F5H029		0	FUEL TANK ANCHOR RETAINS TOTE TANK ON BOAT FLOOR.
-	F5H040		0	STEEL 12 GALLON FUEL TANK AUXILIARY TANK.
-	F5H134		0	BOAT WHITE LACQUER ENGINE TOUCH-UP PAINT IN 12 3/4 OZ. SPRAY BOMBS (6 CANS PER CASE).
-	F596		0	CHRYSLER OUTBOARD OIL SEE BLOCK COMMENT 1.
-	F597		0	CHRYSLER OUTBOARD GEAR LUBE SEE BLOCK COMMENT 2.
-	F5H059		0	CHRYSLER OUTBOARD MULTI-PURPOSE GREASE LUBRICATES BEARINGS AND OTHER MOVING PARTS. AVAILABLE IN 8 OZ. TUBES AND 12 TUBE CASES.
-	F5H060		0	CHRYSLER OUTBOARD GREASE GUN

PARTS INDEX

Part Number	Description	Pg.	Ref. No.	Part Number	Description	Pg.	Ref. No.
2C621712	ENGINE COVER COMPLETE.	3	-	F1110	SCREW, 1/4 - 20 X 5/8	19	10
817747--1	JOINT, BALL ASSEMBLY . . .	9	1	F1111	FILL HD SCREW, 1/4 - 20 X		
817761A2	SCREW CLAMP	23	21		7/8	19	37
817796A2	GEAR SHIFT ARM			F1257	SCREW, 5/16 - 18 X 1 1/4 . .	19	29
	ASSEMBLY	27	32	F1286	PAN HD SCREW, #4 - 40 X		
817856A1	SPOOL STARTER	13	26		3/16	17	48
817858A1	RETAINER ENGINE COVER	3	3	F1341	HEX NUT	27	10
817938A1	RETAINER	13	21	F1341	NUT, 1/4 - 20	23	36
89396A38	PRIME BULB	31	6	F1346	HEX NUT, S.S., 3/8 - 16	27	21
A487038	SUPPORT PLATE W/EYELET	3	8	F141118	SEAL, CRANKSHAFT		
C341227	SPARK PLUG, (QL - 86)				LOWER	19	22
	CANADA ONLY	19	-	F141118	SEAL, PROPELLER SHAFT .	29	49
F10058	FUEL BOWL	15	12	F141305	SEAL, PROPELLER, SHAFT		
F10061	CHOKE SHAFT ASSEMBLY .	15	35		BEARING CAGE	29	50
F10062	CHOKE VALVE ASSEMBLY .	17	39	F1464	HEX HD M. SCREW, 1/4 - 28		
F10063	FLOAT	15	15		X 3/8	23	7
F10064	SHAFT - FLOAT	15	14	F1467	SCREW SWIVEL BRACKET .	25	50
F10066	GASKET VALVE SEAT	15	17	F1471	HEX SET SCREW, 10 - 24 X		
F10068	GASKET BODY TO BOWL . .	15	13		1/4	9	13
F10069	GASKET KIT.	15	9	F1475	FILL HD SCREW, 10 - 24 X		
F10070	SCREW ASSEMBLY -				1/2	3	2
	CHOKE VALVE	17	40	F1490	NUT, 1/4 - 20	15	19
F10071	SCREW, THROTTLE VALVE	15	21	F1500	RD HD SHEET METAL		
F10072	SPRING CHOKE STOP	15	36		SCREW #4 X 1/4	13	24
F10073	SPRING IDLE NEEDLE	17	37	F1513	HEX NUT	3	26
F10077	NEEDLE - IDLE	17	38	F1513	NUT, 10 - 32	9	2
F10081	SHAFT ASSEMBLY -			F1515	NUT, 5/16 - 18	3	13
	THROTTLE	15	31	F1532	HEX CAP SCREW, 1/4 - 20 X		
F10083	REPAIR KIT.	15	8		1	23	6
F10084	FLOAT SUPPORT SPRING .	15	15A	F1532	HEX HD SCREW, 1/4 - 20 X 1	15	22
F10085	SPRING THROTTLE			F1532	SCREW, 1/4 - 20 X 1	19	28
	RETURN	15	32	F1573	FILL HD SCREW, 1/4 - 20 X		
F10088	NOZZLE	15	18		1/2	5	43
F10089	JET ASSEMBLY, STD. .041			F1666	WAVE WASHER	23	33
	SEA LEVEL - 3000 FT. . . .	15	10	F1689	HEX HD SCREW, 1/4 - 20 X		
F10090	GASKET FUEL BOWL				1/2	5	37
	RETAINER	15	11	F1699	HEX HD SCREW, 1/4 - 20 X 1		
F10091	VALVE THROTTLE	15	20		1/8	9	10
F10093	JET ASSEMBLY, OPT. .038			F1733	PAN HD SCREW, 10 - 24 X		
	7000 FT. & UP	15	-		9/16	27	19
F10096	JET ASSEMBLY, OPT. .039			F1734	SLOTTED FILL HD SCREW,		
	5000 - 7000 FT.	15	-		1/4 - 20 X 1/2	3	12
F10097	JET ASSEMBLY, OPT. .040			F1755	RD HD SCREW & SPRING		
	3000 - 5000 FT.	15	-		LOCKWASHER		
F10101	KIT - VALVE, SEAT, SPRING				ASSEMBLY, 6 - 32 X 5/16	15	2
	& GASKET	15	16	F1760	PAN HD SCREW, 10 - 24 X		
F10116	KIT - PLUG, BODY CHANNEL				3/8	13	5
	(NOT SHOWN)	17	53	F1772	HEX HD SCREW, 8 - 32 X 1/2	15	24
F1027	COTTER PIN	29	55	F17815	SEAL, FUEL LINE COUPLER	31	2
F1035	FILL HD SCREW, 1/4 - 20 X			F17816	SEAL, FUEL LINE COUPLER	31	1
	5/8	27	28	F178446	CLAMP LEAD WIRE	3	11
F1044	SCREW, 1/4 - 20 X 1 3/8 . . .	19	31	F1794	SPRING PIN, 3/32 X 3/8	25	44
F1052	FILL HD SCREW, 1/4 - 20 X 1	13	13	F1805	SPRING PIN, 1/4 X 1-3/8	25	53
F1069	FILL HD SCREW, 10 - 24 X 1			F1806	GROOVE PIN, 5/16 - 3 3/4 . . .	25	46
	1/16	17	46	F1809	FLYWHEEL NUT	7	20
F1087	FILL HD SCREW, 10 - 24 X			F18160-2	REED FUEL PUMP	17	50
	13/16	7	17	F1877	TY-RAP	7	6
F1087	SLOTTED FILL HD SCREW,			F1887	HEX SLOTTED HD SCREW,		
	10 - 24 X 13/16	7	11		1/4 - 20 X 3 3/16	23	17
F1107	SCREW, 1/4 - 20 X 3/4	19	32	F18906	GASKET CARBURETOR . . .	15	29

PARTS INDEX

Part Number	Description	Pg.	Ref. No.	Part Number	Description	Pg.	Ref. No.
F18906	GASKET, CARBURETOR . . .	21	-	F2097	SPRING PIN	29	40
F195/	REMOTE CONTROL CABLES	37	-	F2106	INTERNAL TOOTH LOCKWASHER	23	8
F1950	HEX HD SCREW, 10 - 24 X 5/8	3	10	F2106	LOCKWASHER	7	2
F1972	HEX HD SCREW, 1/4 - 20 X 2 1/2	23	11	F213274	FITTING GREASE	25	49
F1974	SCREW, STEERING HANDLE BEARING	9	38	F215795	SEAL, STEERING HANDLE DAMPENER	9	35
F1975	LOCKWASHER, #10	3	29	F24074	FOOT CLAMP SCREW	23	23
F1975	SPRING LOCKWASHER	7	14	F24748-2	GASKET FUEL PUMP	17	47
F197767-1	BUSHING FUEL LINE	3	21	F250017	PISTON PIN	19	14
F197787-3	FUEL LINE COUPLER	31	3	F250410	PISTON PIN RETAINING RING	19	13
F197813	BEARING	25	61	F269689	BEARING STARTER BRACKET UPPER	13	10
F197813	BEARING STARTER BRACKET LOWER	13	18	F2706772	CLAMP HOSE	17	41
F1994	HEX SOCKET HD CAP SCREW, 5/16 - 18 X 1	29	51	F2788004	STUD CARBURETOR	15	28
F1994	SCREW, 5/16 - 18 X 1	19	30	F286011	WASHER SWIVEL BRACKET	25	56
F2010	FILL HD SCREW, 10 - 32 X 9/16	7	15	F286028	BEARING, CRANKSHAFT UPPER MAIN	21	42
F2012	PLAIN WASHER	23	18	F286037	BOLT STERN BRACKET	23	30
F2014	PLAIN WASHER	23	38	F286114	HANDLE LOCK BAR	23	14
F2030	HEX HD SCREW, 1/4 - 20 X 1 1/4	27	6	F286132	HANDLE STARTER ROPE	13	22
F2031	HEX HD SCREW, 1/4 - 20 X 3/4	13	8	F286169	BEARING SWIVEL BRACKET	25	54
F2041	HEX HD SCREW, 10 - 24 X 3/8	3	30	F286277	GASKET, CRANKSHAFT BEARING CAGE	19	34
F2042	WASHER	15	34	F286277	GASKET, CRANKSHAFT BEARING CAGE	21	-
F2052	SHIM, PROPELLER SHAFT BEARING CAGE .005 (SILVER)	29	47	F286286-1	WASHER	23	34
F2053	SHIM, PROPELLER SHAFT BEARING CAGE .006 (RED)	29	-	F286300	SPRING REVERSE LOCK	25	48
F2054	SHIM, PROPELLER SHAFT BEARING CAGE .008 (BLACK)	29	-	F286364	LEVER REVERSE LOCK	25	45
F2055	SPACER, BEVEL GEAR FRONT .059	27	38	F286422-1	PIVOT TILT LOCK	23	32
F2056	SPACER, BEVEL GEAR FRONT .062	27	-	F286433	BRACKET SHALLOW WATER DRIVE	25	47
F2057	SPACER, BEVEL GEAR FRONT .065	27	-	F286451	SPACER TILT LOCK	23	40
F2058	SPACER, BEVEL GEAR FRONT .068	29	-	F286461	SPRING LOCK BAR HANDLE	23	13
F2059	SPACER, BEVEL GEAR FRONT .071	29	-	F286544-1	SPRING TILT LOCK	23	39
F2060	SPACER, BEVEL GEAR FRONT .074	29	-	F286571	ROLLER ASSEMBLY, CENTER MAIN BEARING	19	18
F2061	SPACER, BEVEL GEAR FRONT .077	29	-	F286585-1	DECAL, TILT RELEASE - USA	25	60
F2062	SPACER, BEVEL GEAR FRONT .080	29	-	F286647	HANDLE CARRYING	23	27
F2063	SPACER, BEVEL GEAR FRONT .083	29	-	F286827	LEVER REVERSE LOCK RELEASE	25	62
F2064	SPACER, BEVEL GEAR FRONT .086	29	-	F286894-3	INDICATOR STEERING HANDLE - USA	11	45
F2087	SPACER, BEVEL GEAR FRONT .056	29	-	F298788	FERRULE	31	4
				F2A237228	BEARING ASSEMBLY W/CAGE & ROLLERS	19	17
				F2A24757	PLATE FUEL PUMP REED	17	51
				F2A474298	PROPELLER SHAFT BEARING CAGE	29	52
				F2A516023	BEVEL GEAR FORWARD W/BEARING AND SHIMS	27	37
				F2A516266	PINION SHAFT W/BEARING	27	31
				F2A521016	CONNECTING ROD	19	16
				F2A525010	CYLINDER	19	6
				F2A525018	CRANKSHAFT	19	24
				F2A525158	PLATE REED	15	5
				F307818	BEARING (NYLINER)	3	15

PARTS INDEX

Part Number	Description	Pg.	Ref. No.	Part Number	Description	Pg.	Ref. No.
F31160-1	REED	15	4	F516125	COUPLING, DRIVESHAFT	27	27
F318307	SEAL	27	5	F516244	WATERLINE (STD. LEG)	23	2
F318307	SEAL, DRIVESHAFT	5	38	F516349	LOCK REVERSE	25	51
F318342	SEAL, WATERLINE INLET			F516463	BRACKET, REVERSE THRUST	23	9
F318347-1	UPPER MOUNT	9	11	F516662	GEAR, BEVEL REAR	29	45
F318504	GROMMET	9	14	F516677	SPACER REVERSE LOCK	23	42
F318539	BUMPER	9	12	F516697	NUT STEERING LOCK BRACKET	23	37
F318818	BEARING, SHIFT LEVER SHAFT	5	42	F516705	GEAR SHIFT ROD LOWER	27	13
F338618-1	SEAL, SHIFT ROD LOWER	27	23	F516821	WAVE WASHER, STEERING PIVOT SCREW	9	31
F341014	BEARING, CRANKSHAFT LOWER MAIN	19	23	F517128	DRIVESHAFT	27	2
F341562	WATER PUMP BACK PLATE	27	9	F517273	TIE BAR	23	28
F346146	SEAL, CRANKSHAFT UPPER	19	36	F521547	CHOKE KNOB	3	23
F36634	CONNECTING ROD SCREW	19	21	F521843	CABLE LIGHTING COIL EXT. (5 FOOT)	7	8
F390689	BEARING, STEERING ARM PIVOT SCREW	9	21	F525015	PISTON	19	15
F392777	CAM COVER LATCH	3	14	F525019	KINGPIN	23	16
F40008	STUD	27	29	F525029	STATOR - TRIGGER	7	13
F40342	SEAL, PROPELLER NUT	29	56	F525064	SCREW - C-D COIL	7	4
F40425	PIN STARTER PINION	13	25	F525079	HANDLE - STEERING	9	37
F404908	WIRE, STATOR GROUND	7	7	F525080	SCREW, STEERING HANDLE PIVOT	9	39
F40717	THRUST WASHER BEVEL GEAR	29	44	F525081-1	LEVEL THROTTLE	15	26
F409232	ROPE STARTER	13	23	F525082	RING STATOR	19	33
F409251-1	GAUGE CAP	31	10	F525095	STATOR ALTERNATOR	7	12
F424075	HANDLE CLAMP SCREW	23	20	F525097	FLYWHEEL	7	18
F429065-1	WATER PUMP IMPELLER	27	8	F525105	SHAFT INTERLOCK	13	11
F429137	GRIP, STEERING HANDLE	11	46	F525151	PLATE EXHAUST	19	26
F429541	LOCK TILT	23	41	F525152	COVER EXHAUST	19	27
F429811	SCREEN, CYLINDER DRAIN	19	8	F525154	GASKET EXHAUST	19	25
F430732	HEX HD SCREW, 5/16 - 18 X 1 1/4	27	14	F525154	GASKET, EXHAUST	21	-
F435555	SEAL, GEAR HOUSING LOWER	27	24	F525159	GASKET, REED PLATE	15	1
F436280	NUT, SHORTING SWITCH	7	21	F525159	GASKET, REED PLATE	21	-
F448874	SPLICE	7	10	F525168	GASKET MANIFOLD	15	6
F458250	BEARING CUP	27	36	F525168	GASKET, MANIFOLD	21	-
F458498	MAGNETO KEY	19	40	F525193	LINK THROTTLE	15	27
F458519	SCREW, IDLE STOP	9	34	F525198	THROTTLE STOP	9	43
F468342	SEAL, CRANKSHAFT SPLINE	19	38	F525220	WASHER, STEERING HANDLE	9	22
F474143	BEARING, BEVEL GEAR REAR	29	46	F525263	LINK STARTER INTERLOCK	5	36
F474225	BEARING, PROPELLER SHAFT REVERSE THRUST	29	48	F525279	GASKET, CYLINDER MOUNTING	19	39
F487078	STEERING LOCK BRACKET	9	30	F525279	GASKET, CYLINDER MOUNTING	21	-
F487455	GUIDE STARTER ROPE	3	25	F525286	WASHER	25	63
F487616	GEAR SHIFT ROD INTERMEDIATE	27	7	F525301	STATOR - C-D	7	16
F487704	COUPLING, SHIFT ROD	27	11	F525316-1	FOLLOWER THROTTLE CAM	15	23
F487755	FUEL TANK ADAPTER	31	8	F525346	MOUNT LOWER SHOCK	25	52
F498618	SEAL, O-RING	27	34	F525390	DECAL STOP - U.S.A.	3	22
F498891	GEAR SHIFT ARM PIVOT PIN	27	33	F525394	DECAL CHOKE - U.S.A.	3	24
F50109	GEAR HOUSING PLUG	27	17	F525424	SPRING STARTER PINION	13	3
F50563	WATER PUMP IMPELLER DRIVE PIN	27	1	F525427-1	BRACKET STARTER UPPER	13	9
F516080	SCREW PIVOT	9	29	F525445	LINK, MAGNETO STATOR CONTROL	9	3
F516124	PLAIN WASHER	9	32	F525453	GASKET LEG MOUNTING	23	3
				F525453	GASKET, LEG MOUNTING	21	-
				F525455	GUIDE STARTER ROPE	13	6
				F525457	SCREW	13	1

PARTS INDEX

Part Number	Description	Pg.	Ref. No.	Part Number	Description	Pg.	Ref. No.
F525469	HANDLE LATCH	3	17	F5H027	FUEL TANK, 6 GALLON, STEEL	37	-
F525472	GASKET, CYLINDER DRAIN COVER	19	7	F5H029	FUEL TANK ANCHOR	37	-
F525472	GASKET, CYLINDER DRAIN COVER	21	-	F5H040	STEEL 12 GALLON FUEL TANK	37	-
F525475	C-D MODULE COIL	7	1	F5H059	CHRYSLER OUTBOARD MULTI-PURPOSE GREASE	37	-
F525504	GROMMET, CHOKE ROD	3	28	F5H060	CHRYSLER OUTBOARD GREASE GUN	37	-
F525518	CYLINDER HEAD	19	4	F5H105	BATTERY CHARGING SYSTEM	37	-
F525524	RIVET, STEERING HANDLE	9	33	F5H113	REMOTE CONTROL KIT	37	-
F525529	GASKET, CYLINDER HEAD	19	5	F5H114	REMOTE STEERING BRACKET	37	-
F525529	GASKET, CYLINDER HEAD	21	-	F5H130	REMOTE CONTROL BOX	37	-
F525579	CRANKCASE SEAL	19	20	F5H131	REMOTE CONTROL DECAL KIT	37	-
F525582-1	STEERING ARM	9	23	F5H134	BOAT WHITE LACQUER	37	-
F525605	GEAR, TOWERSHAFT	9	27	F5H142	REMOTE CONTROL (SAILOR MODELS)	37	-
F525614	HANDLE GEAR SHIFT	3	33	F609400	DECAL, SHIFT (ST'BD)	5	47
F525615	ROD GEAR SHIFT UPPER	3	9	F66480	STUD CLAMP SCREW	23	22
F525627	GEAR, TOWERSHAFT PINION	9	26	F7004	HEX NUT, S.S., 3/8 - 16	27	30
F525629	COTTER PIN	13	12	F7011	ELASTIC STOP NUT, 10 - 24	3	4
F525665	BEARING, GEAR PINION TOWERSHAFT	9	25	F7024	LOCK NUT	23	19
F525674-1	GEAR STARTER PINION	13	2	F7027	NUT (LEFT HAND), 10 - 24	9	4
F525675	BRACKET STARTER LOWER	13	20	F73741-1	RING	3	20
F525688-1	SHAFT, STEERING HANDLE	9	41	F8003	PLAIN WASHER	17	49
F525689	TOWERSHAFT BEARING	9	7	F8025	PLAIN WASHER	19	2
F525691	GEAR, STEERING ARM	9	19	F8043	WAVE WASHER	9	20
F525707	COVER, SHOCK MOUNT LOWER	23	10	F8049	WASHER BOWED SPRING	3	34
F525737	RETAINER STARTER REWIND SPRING	13	16	F8058	INTERNAL TOOTH LOCKWASHER	3	27
F525751	SCREW	9	8	F8060	LOCKWASHER	9	9
F525763	SHAFT COVER LATCH	3	19	F8065	LOCKWASHER	27	22
F525779	BAFFLE IDLE RELIEF	23	4	F8070	BOWED SPRING WASHER	13	17
F525781	INTERLOCK STARTER	13	7	F8077	NYLTITE WASHER	27	16
F525815	GEAR, STEERING HANDLE	9	18	F8083	LOCKWASHER	23	35
F525816-1	BEARING, STEERING HANDLE GEAR	9	17	F84026	SHOULDER SCREW	9	5
F525838	TOWERSHAFT	9	28	F84036	BEARING, SPARK CONTROL	9	6
F525839	SCREW, STEERING FRICTION	25	57	F84991-1	GROMMET LIGHTING COIL WIRE	3	-
F525840	GROMMET REMOTE THROTTLE CABLE	3	16	F8537	SPRING PIN	23	24
F525871	SHAFT GEAR SHIFT LEVER	3	35	F8538	SPRING PIN, 3/32 X 1/2	5	39
F525876	LEVER GEAR SHIFT	5	41	F8538	SPRING PIN, 3/32 X 1/2	23	31
F525877	SHAFT, MAGNETO CONTROL	9	24	F8540	SPRING PIN	27	12
F525925	LINK CHOKE KNOB	3	31	F8540	SPRING PIN, 3/32 X 5/8	9	15
F525977	LEVER SHIFT INTERLOCK	5	44	F8540	SPRING PIN, 3/32 X 5/8	23	12
F525984	SEAL, REED PLATE	15	7	F8547	SPRING PIN, 1/8 X 5/8	3	18
F526133	MOTOR LEG	23	5	F8547	SPRING PIN, 1/8 X 5/8	5	40
F526161	REED STOP	15	3	F8547	SPRING PIN, 1/8 X 5/8	11	44
F536813	BEARING	25	58	F8548	SPRING PIN, 1/8 X 1	9	42
F53795-1	SEAL	13	4	F8554	SPRING PIN, 3/16 X 3/4	23	25
F53795-1	SEAL, STEERING HANDLE DAMPENER	9	36	F8559	DOWEL PIN	19	11
F596	CHRYSLER OUTBOARD OIL	37	-	F8567	SPRING PIN, 1/8 X 13/16	3	32
F597	CHRYSLER OUTBOARD GEAR LUBE	37	-	F8567	SPRING PIN, 1/8 X 13/16	9	16
F5H013	FLUSHING ADAPTER	37	-	F8571	SPRING PIN, 1/8 X 1 3/4	13	19
				F901456-1	COLLAR, EMERGENCY START	7	19

PARTS INDEX

Part Number	Description	Pg.	Ref. No.	Part Number	Description	Pg.	Ref. No.
F901739	DRIVE STARTER REWIND			FS537712	ENGINE COVER		
	SPRING	13	14		W/PACKING, REAR		
F901746-2	COVER FUEL PUMP	17	45		RETAINER AND LATCH		
F901811	FILTER FUEL PUMP	17	44		BRACKET	3	1
F901938-1	SCREW, CYLINDER HEAD	19	1	FT11201	HARNESS ADAPTER	35	-
F901970	SPRING STARTER REWIND	13	27	FT11202	SEAL INSTALLER	33	-
F90619-1	YOKE, GEAR SHIFT ARM	29	42	FT1749	SNAP RING PLIERS	33	-
F90807	RETAINING RING	15	33	FT2909	KNOCK-OFF NUT	33	-
F90871-3	GEAR SHIFT ARM PIN	29	41	FT2915	SEAL INSTALLER	34	-
F99521-1	CLUTCH	29	39	FT2955A	TEST WHEEL	35	-
FA286113	BAR LOCK	23	15	FT2961	LUBRICANT - RYKON		
FA286155	LINER, CENTER MAIN	19	19		GREASE #2EP	36	-
FA341510	LINK REVERSE LOCK			FT2962-1	SEALANT - 50 CC LOCTITE		
	LEVER	25	43		H, NON-HARDENING		
FA387742	LEVER REVERSE LOCK				GRADE	36	-
	INTERMEDIATE	25	59	FT2963-2	SEALANT - 2 OZ. LOCTITE		
FA474098	PROPELLER SHAFT	29	43		D, HARDENING GRADE	36	-
FA487885	RETAINER W/GUIDE AND			FT2987-1	LUBRICANT - ANTI-SEIZE	36	-
	SPRING	27	18	FT2989	FLYWHEEL WEDGE	33	-
FA510914	SEAL, INLET WATER LINE	27	4	FT2991	CARBON BRUSH	33	-
FA516054	GEAR HOUSING LOWER	27	35	FT2997	RING COMPRESSOR	33	-
FA516060	WATER PUMP BODY	27	3	FT2998	TORQUE WRENCH (0-100		
FA516485	ANTI-CORROSION ANODE	27	20		LBS./FT.)	33	-
FA521841	CABLE LIGHTING COIL	7	9	FT2999	TORQUE WRENCH (0-600		
FA525167	MANIFOLD	15	25		LBS./IN.)	33	-
FA525471	COVER, CYLINDER DRAIN	19	9	FT3012	SEAL INSTALLER	33	-
FA525774	BRACKET COVER LATCH	5	45	FT3139-1	STARTER REWIND KEY	32	-
FA539391	DECAL, SAILOR 180 ST'BD	3	7	FT8900	HOSE CLAMP PLIERS	33	-
FA539392	DECAL, SAILOR 180 PORT	3	-	FT8901	INDICATOR HOLDER	34	-
FA621396	DECAL "CHRYSLER" -			FT8902	DIAL INDICATOR	34	-
	STARBOARD	3	6	FT8904	FORWARD CUP INSTALLER	34	-
FA621397	DECAL "CHRYSLER" - PORT	3	-	FT8907	DRIVER HANDLE	34	-
FA621528	DECAL, ENGINE COVER			FT8918	BEARING GUIDE SET	34	-
	REAR	5	48	FT8919	SPRING PIN PUNCH	34	-
FA621892	DECAL ENGINE COVER			FT8920	BEARING INSTALLER	34	-
	FRONT	5	46	FT8921	BEARING CUP REMOVER	34	-
FA84253	HOSE	17	42	FT8924-1	CHECKING GAUGE	34	-
FA84253	HOSE	17	43	FT8926	PISTON RING EXPANDER	33	-
FA84754-1	FUEL LINE SHORT			FT8929	ADAPTER AND HEX BIT	33	-
	W/FERRULES (7" LONG)	31	5	FT8935	SEALANT PRIMER - 6 OZ.	36	-
FA94094-2	PROPELLER NUT	29	54	FT8936-1	SEALANT - 2 CC LOCTITE		
FC409398	DECAL TOTE TANK	31	-		RETAINING COMPOUND		
FC516054	GEAR HOUSING COMPLETE				#75	36	-
	(NOT SHOWN).	27	-	FT8948-1	BEARING CAGE PULLER	34	-
FC525010	CYLINDER COMPLETE (NOT			FT8950	LEAKAGE TESTER	35	-
	SHOWN).	19	-	FT8953	C-D TESTER	35	-
FC525390	DECAL STOP - CANADA	3	-	FT8957	SEAL INSTALLER	34	-
FC525394	DECAL CHOKE - CANADA	3	-	FT8969	LUBRICANT - 7 OZ. L PSI		
FG1018	GASKET SET.	21	41		LUBRICANT	36	-
FK1064	GEAR HOUSING SEAL KIT.	27	25	FT8982	SHIM ADAPTER	34	-
FK1071	WATER PUMP KIT	27	26	FT8983	SEALANT - 3 OZ RTV		
FK1123	SPARKIE KIT	7	3		SILMATE	36	-
FK247	PROPELLER PIN	29	57	FT8995	SHIM SPACERS	34	-
FK436449	SHORTING SWITCH	7	5	FT8996	IGNITION TESTER	35	-
FK525713	ENGINE COVER PACKING	3	5	27-818043A1	DIAPHRAGM, FUEL PUMP		
FK567532	BRACKET STERN PORT	23	26		W/GASKETS	17	52
FK567532	BRACKET STERN			32-817738A1	FUEL LINE, LONG W/CLAMP		
	STARBOARD	23	29		AND FERRULE (9' LONG)	31	7
FP296	PROPELLER	29	53	33-82370M	SPARK PLUG (L-86)	19	3

PARTS INDEX

Part Number	Description	Pg.	Ref. No.	Part Number	Description	Pg.	Ref. No.
39-818038A1	PISTON RING (2 RINGS) ...	19	12				
1100-817753A1	CAGE, CRANKSHAFT						
	BEARING	19	35				
1300-817966A4	CARBURETOR	15	30				
1400-817964A2	SWIVEL BRACKET	25	55				
1600-817817A3	GEAR HOUSING UPPER ...	27	15				