

# PARTS CATALOG

## 15 H.P.

### SERIAL NUMBER

15 (1983)	.....	152B3J
15 (1983)	.....	152H3J
15 (1983)	.....	158B3D
15 (1983)	.....	158H3D
15 (1984)	.....	152C4K
15 (1984)	.....	152H4K
15 (1984)	.....	158C4E
15 (1984)	.....	158H4E

# TABLE OF CONTENTS:

ACCESSORIES .....	46
ELECTRIC STARTER (158H3D, 158B3D) .....	12
ELECTRICAL COMPONENTS (C-D ALTERNATOR MODELS) .....	14
ENGINE COVER AND SUPPORT PLATE .....	2
FUEL PUMP (C-D ALTERNATOR MODELS) (158H3D, 158B3D) .....	10
FUEL SYSTEM .....	18
FUEL TANK AND LINE .....	38
GEAR HOUSING .....	34
MAGNETO (152H3J, 152B3J) .....	6
MOTOR LEG .....	28
PARTS INDEX .....	47
POWER HEAD .....	22
SPECIAL TOOLS - LOWER UNIT .....	43
SPECIAL TOOLS - LUBRICANTS AND SEALANTS .....	45
SPECIAL TOOLS - MANUAL STARTER .....	41
SPECIAL TOOLS - POWER HEAD .....	42
SPECIAL TOOLS - TEST EQUIPMENT .....	44
SPECIAL TOOLS - TUNE-UP .....	40
STARTER (152H3J, 152B3J) .....	8

**NOTE:** Indented description indicate that these parts are included in preceeding assembly.

**AR** = As Required

**NSS** = Not Sold Separate

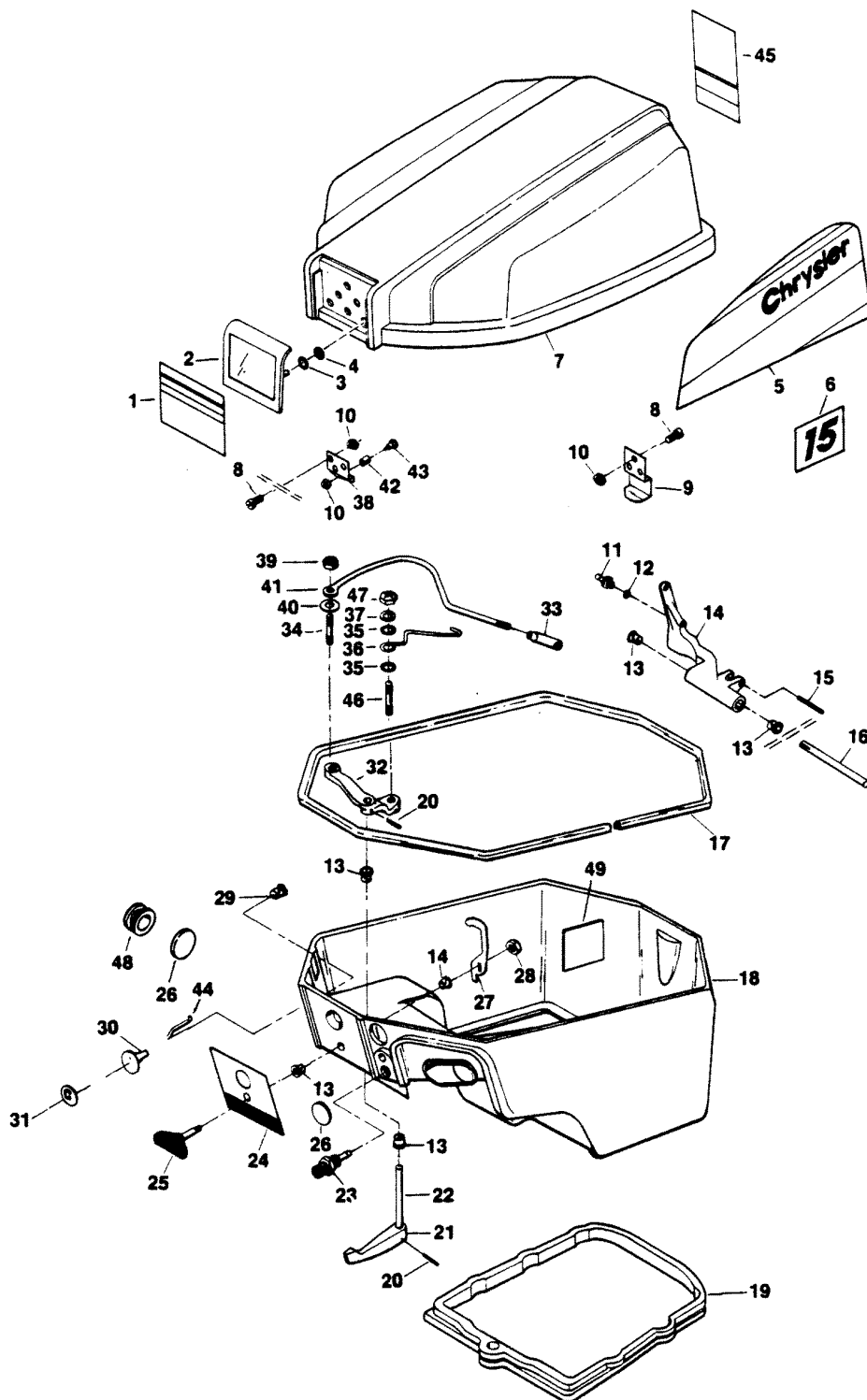
**OPT** = Optional

**NS** = Not Shown

**THESE PARTS BOOKS/FICHE CARD ARE COPYRIGHTED AND MAY NOT BE DISTRIBUTED OR REPRODUCED IN ANY OTHER FORMAT BY ANYONE OTHER THAN MERCURY MARINE WITHOUT THE PRIOR WRITTEN CONSENT OF MERCURY MARINE.**

THIS PAGE INTENTIONALLY LEFT BLANK

# ENGINE COVER AND SUPPORT PLATE



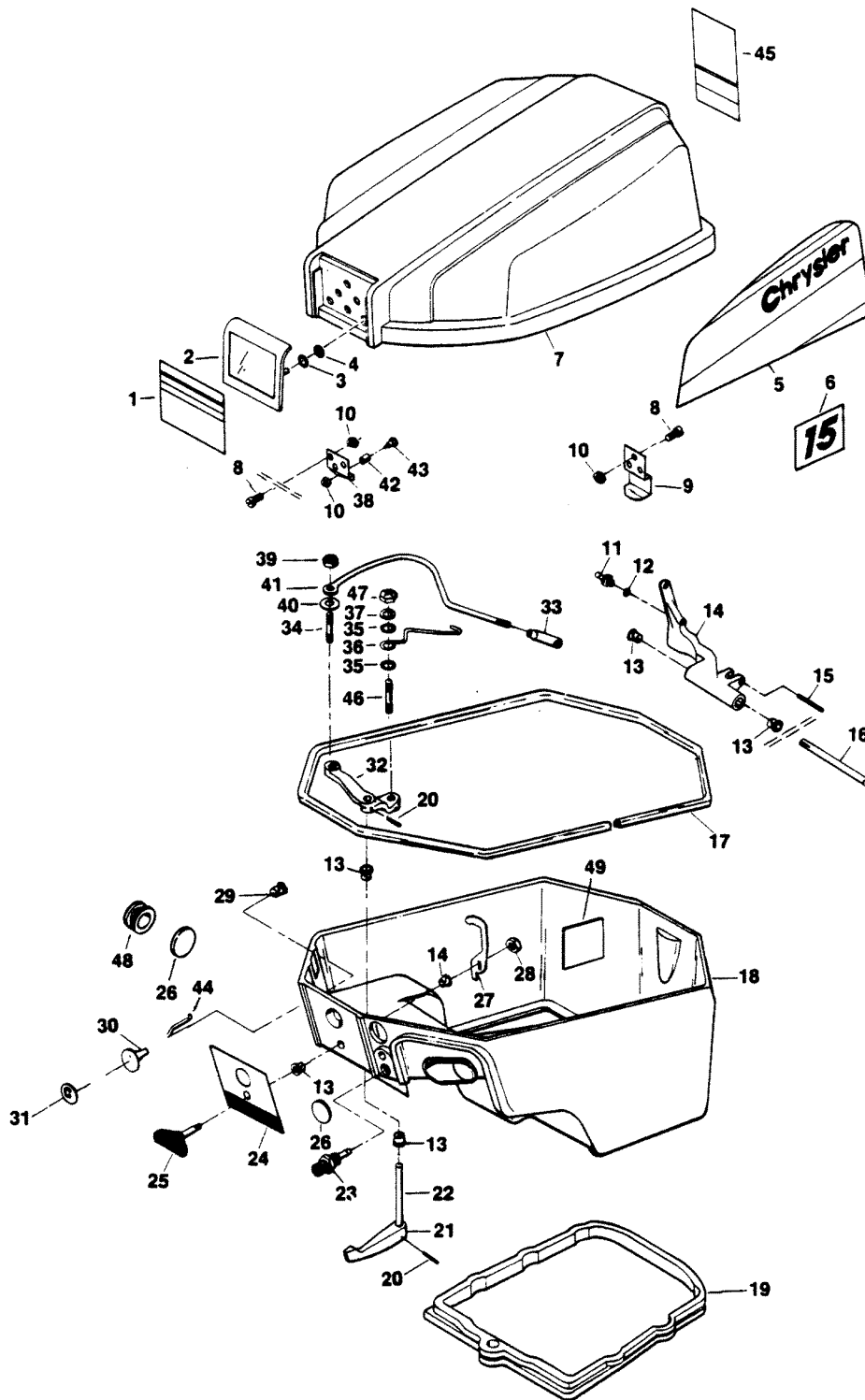
CR 2244

# ENGINE COVER AND SUPPORT PLATE

REF. NO.	PART NO.	SYM.	QTY.	DESCRIPTION
1	FA617892		1	DECAL, ENGINE COVER, FRONT W/LITERATURE
2	F610711		1	PLATE, ENGINE COVER
3	F85735-1		3	SEAL
4	F1753		3	FASTENER
5	FA618397		1	DECAL, ENGINE COVER PORT W/LITERATURE W/LITERATURE
-	<b>FA618396</b>		<b>1</b>	<b>DECAL, ENGINE COVER STARBOARD W/LITERATURE W/LITERATURE</b>
6	FA590386		2	DECAL, - NUMERAL 15 W/LITERATURE
7	100-FS666712T		1	COVER, ENGINE W/ILLUS. 9 AND 38 ORIGINAL FORCE P/N S541712-1
-	<b>F2C618712</b>		<b>1</b>	<b>COVER, ENGINE COMPLETE. INCLUDES ALL ITEM MARKED WITH AN ASTERISK (*). ORDER NUMERAL SEPARATE.</b>
8	F1475		6	FILL HD SCREW, 10 - 24 X 1/2
9	FA610480		1	RETAINER, ENGINE COVER W/ILLUS. 8 AND 10
10	F7011		7	ELASTIC STOP NUT, 10 - 24
11	F98273		1	STUD, GEAR SHIFT ROD CONNECTOR
12	F8058		1	INTERNAL TOOTH LOCKWASHER
13	F307818		6	BEARING
14	F286876		1	LEVER, GEAR SHIFT
15	F8542		1	SPRING PIN
16	F286871		1	PIN, GEAR SHIFT LEVER
17	F392756		1	PACKING, SUPPORT PLATE
18	FA492038		1	PLATE, SUPPORT W/ILLUS. 26 (152H3J, 152B3J)
-	<b>FA510038</b>		<b>1</b>	<b>PLATE, SUPPORT W/ILLUS 26 (158H3D, 158B3D)</b>
19	F286989-2		1	SEAL, SUPPORT PLATE
20	F8540		2	SPRING PIN
21	F286614		1	HANDLE, GEAR SHIFT
22	F492417		1	SHAFT, GEAR SHIFT HANDLE
23	F197767-1		1	BUSHING, FUEL LINE
24	817757A4		1	PLATE, FRONT W/LITERATURE (152H3J, 152B3J) ORIGINAL FORCE P/N A286711-3
-	<b>A510711-1</b>		<b>1</b>	<b>PLATE, FRONT W/LITERATURE (158H3D, 158B3D)</b>
25	FA286469		1	KNOB, COVER LATCH W/SHAFT
26	F343226-1		2	PLUG
27	F286777		1	CAM, COVER LATCH
28	F7006		1	STOP NUT, 5/16 - 18
29	F197319		1	BEARING, CHOKE ROD
30	F286547		1	KNOB, CHOKE
31	F458677		1	INSERT, CHOKE KNOB
32	F492619		1	LEVER, GEAR SHIFT SHAFT
33	F286685		1	CONNECTOR, GEAR SHIFT ROD
34	F286134		1	STUD, GEAR SHIFT LEVER
35	F184579		2	SEAL (152H3J, 152B3J)

CONTINUED ON NEXT PAGE ➡

# ENGINE COVER AND SUPPORT PLATE

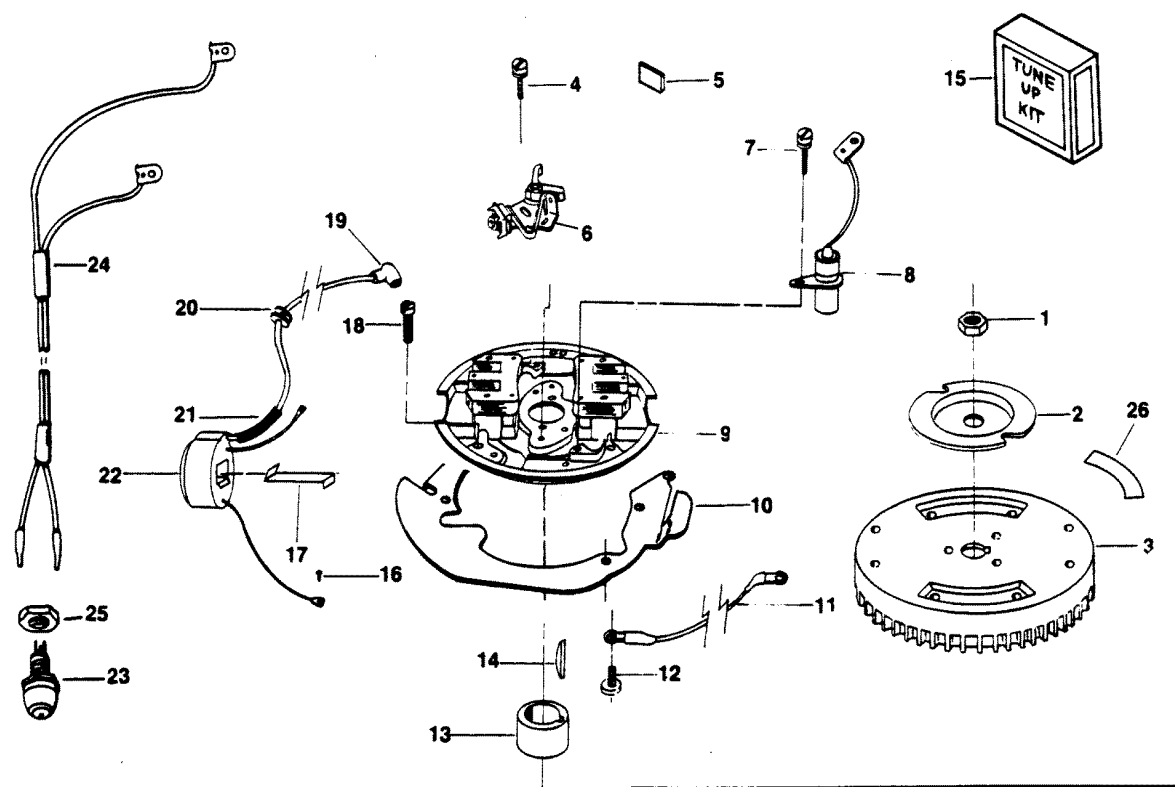


CR 2244

## ENGINE COVER AND SUPPORT PLATE

REF. NO.	PART NO.	SYM.	QTY.	DESCRIPTION
36	F492263		1	LINK, STARTER INTERLOCK (152H3J, 152B3J)
37	F8011		1	PLAIN WASHER (152H3J, 152B3J)
38	817758A1		1	BRACKET, COVER LATCH <b>W/ILLUS. 8, 10 AND 42 ORIGINAL FORCE P/N A286774-1</b>
39	F1804		1	STOP NUT, 10 - 32
40	F8048		1	BOWED SPRING WASHER
41	F286611-1		1	ROD, GEAR SHIFT
42	F92759		1	ROLLER
43	F333316		1	ROLLER SHAFT
44	F617503		1	ROD, CHOKE
45	FA621528		1	DECAL, ENGINE COVER REAR <b>W/LITERATURE</b>
46	F286134		1	STUD, STARTER INTERLOCK LINK (152H3J, 152B3J)
47	F1804		1	STOP, NUT 10-32 (152H3J, 152B3J)
48	F94840		1	GROMMET, BATTERY CABLE (158H3D, (158B3D)
49	F510661		1	PAD, STARTER MOTOR

# MAGNETO (152H3J, 152B3J)

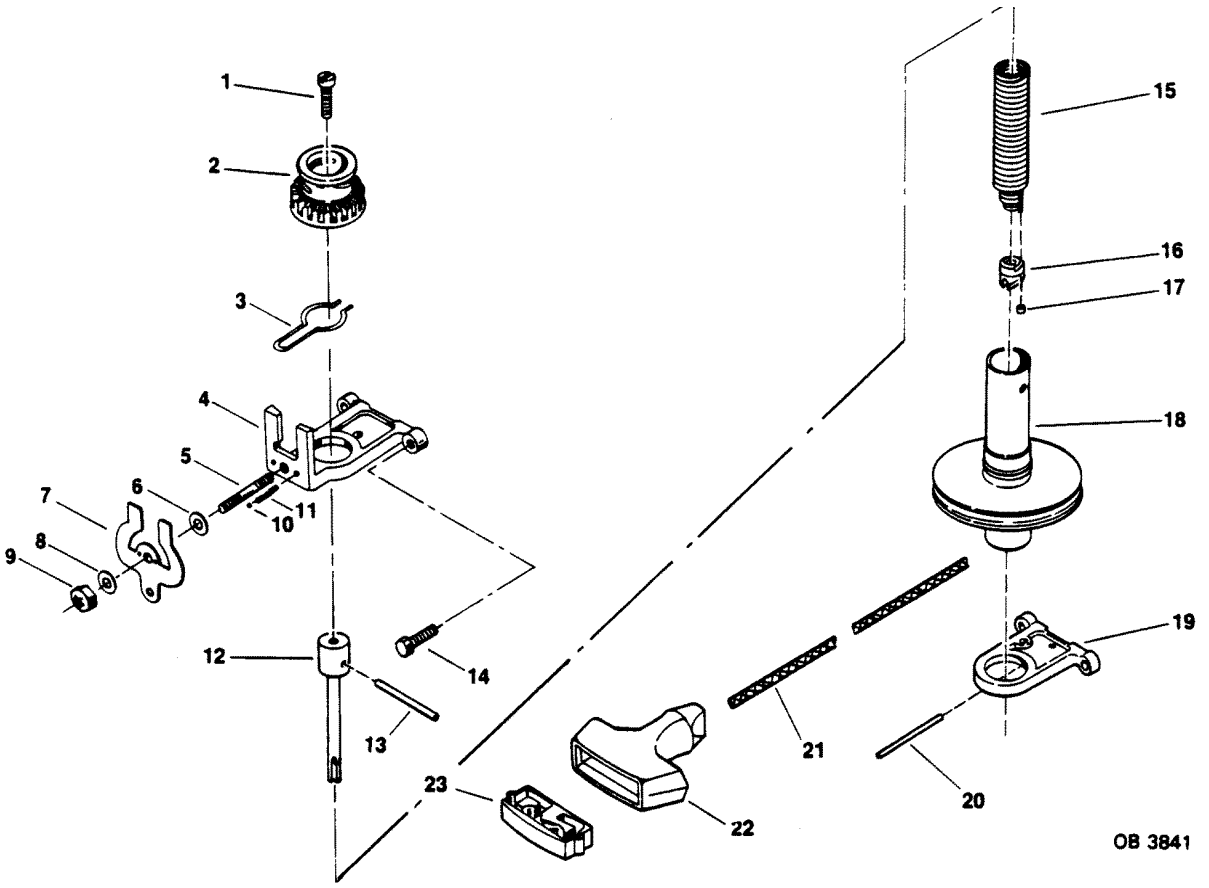




## MAGNETO (152H3J, 152B3J)

REF. NO.	PART NO.	SYM.	QTY.	DESCRIPTION
1	F1809		1	HEX NUT, 1/2 - 20
2	F901456-1		1	EMERGENCY STARTER COLLAR
3	F302097		1	FLYWHEEL
4	F12170		4	CONTACT SCREW W/LOCKWASHER
5	F12360		1	CAM WIPER FELT
6	F12153-1		2	BREAKER POINT SET
7	F12170		2	CONDENSER SCREW W/LOCKWASHER
8	F12181-1		2	CONDENSER
9	F12343		1	STATOR PLATE W/LAMINATIONS
10	F617192		1	THROTTLE CAM PLATE
11	F289664		1	WIRE, STATOR GROUND
12	F1075		4	FILL HD SCREW, 10 - 24 X 1/2
13	F217002		1	MAGNETO BREAKER CAM
14	F458498		1	MAGNETO KEY
15	FK1066		1	TUNE UP KIT <b>INCLUDES ALL ITEMS MARKED WITH AN ASTERISK (*)</b>
-	<b>F492095</b>		<b>1</b>	<b>STATOR MAGNETO. INCLUDES ALL ITEMS MARKED WITH TWO ASTERISK (*)</b>
16	F12114		2	COIL GROUND TERMINAL SCREW
17	F12146		2	COIL WEDGE SPRING
18	F1090		4	FILL HD SCREW W/LOCKWASHER, 10 - 24 X 9/16
19	FK1123		2	SPARKIE W/SPRING
20	F12088		2	GROMMET
21	F12141		1	HIGH TENSION LEAD SLEEVE
22	FA12370		2	COIL W/LEAD WIRE AND WEDGE SPRING
23	FK436449		1	SHORTING SWITCH <b>W/ILLUS. 25</b>
-	<b>F12091</b>		<b>1</b>	<b>LEAD WIRE MARKET TOP (NOT SHOWN)</b>
24	F12186-1		1	PRIMARY TERMINAL WIRE
25	F436280		1	NUT, SHORTING SWITCH
26	FA609853		1	DECAL, WARNING, W/LITERATURE

# STARTER (152H3J, 152B3J)



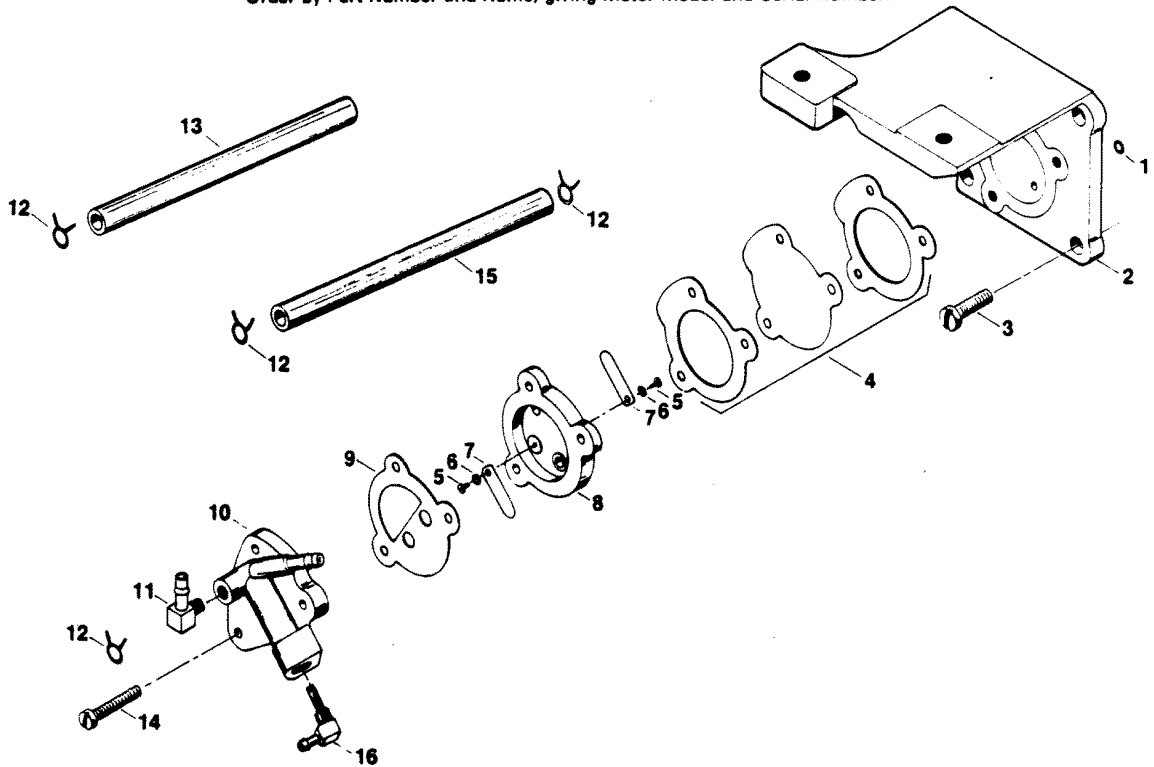
OB 3841

## STARTER (152H3J, 152B3J)

REF. NO.	PART NO.	SYM.	QTY.	DESCRIPTION
1	F1089		1	FILL HD SCREW, 10 - 24 X 9/16
2	F487674		1	GEAR, STARTER PINION
3	F487424-1		1	STARTER PINION SPRING
4	F487427-1		1	BRACKET, STARTER UPPER
5	F286134		1	STUD
6	F8011		1	PLAIN WASHER
7	F487781-3		1	STARTER INTERLOCK
8	F2042		1	PLAIN WASHER
9	F1804		1	STOP NUT
10	F487727		2	BALL, INTERLOCK DETENT
11	F487895		2	SPRING, INTERLOCK DETENT
12	F286710		1	ARBOR, STARTER SPRING
13	F40425		1	STARTER PINION PIN
14	F1864		4	HEX HD SCREW, 1/4 - 20 X 3/4
15	FA286970		1	STARTER REWIND SPRING <b>W/ILLUS. 16 AND 17</b>
16	F286737-1		1	RETAINER, STARTER REWIND SPRING
17	F286930		1	END, STARTER SPRING
18	F2A459239		1	STARTER SPOOL W/SHAFT <b>W/LITERATURE</b>
19	FK317427		1	BRACKET, STARTER LOWER <b>W/ILLUS. 20 AND LITERATURE</b>
20	F1875		1	SPRING PIN, STARTER BRACKET
21	F409232		1	STARTER ROPE
22	F286132		1	HANDLE, STARTER ROPE
23	817938A1		1	RETAINER, STARTER ROPE <b>W/LITERATURE ORIGINAL FORCE P/N K286817-1</b>

# FUEL PUMP (C-D ALTERNATOR MODELS) (158H3D, 158B3D)

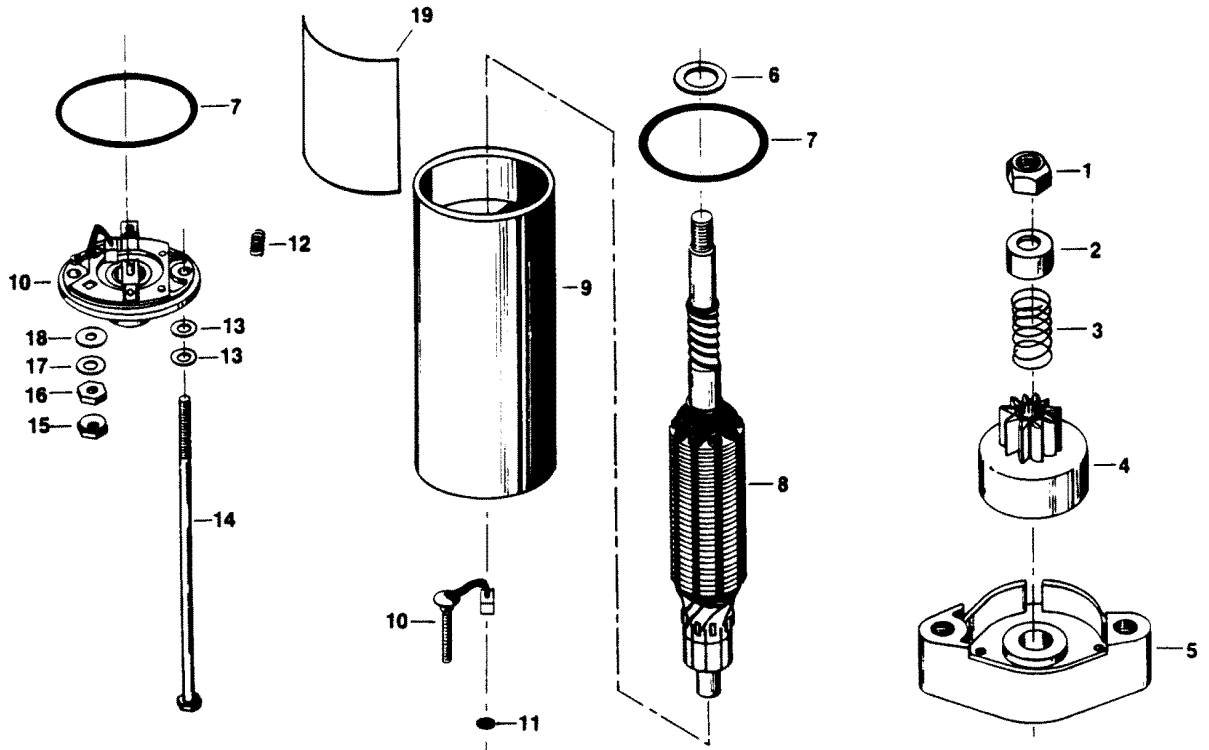
Order by part number and name, giving motor model and serial number.



## FUEL PUMP (C-D ALTERNATOR MODELS) (158H3D, 158B3D)

REF. NO.	PART NO.	SYM.	QTY.	DESCRIPTION
1	F455118		1	SEAL, FUEL PUMP BRACKET
2	F510427		1	BRACKET, STARTER SUPPORT
3	F1577		4	FILL HD SCREW, 1/4 - 20 X 3/4
4	27-818043A1		1	FUEL PUMP DIAPHRAGM W/GASKETS
5	F1286		2	PAN HD SCREW, 4 - 40 X 3/16
6	F8003		2	PLAIN WASHER
7	F18160-2		2	REED, FUEL PUMP
8	F2A24757		1	FUEL PUMP REED PLATE <b>W/ILLUS. 5, 6 AND 7</b>
9	F24748-2		1	GASKET, FUEL PUMP
10	F510746-2		1	FUEL PUMP COVER
11	22-818103--1		1	FITTING, FUEL PUMP
12	F2706772		4	HOSE CLAMP
13	FA901753		1	HOSE, FUEL PUMP TO CARBURETOR <b>W/ILLUS. 12</b>
14	F1069		3	FILL HD SCREW, 10 - 24 X 1-1/16
15	F2752253		1	HOSE, FUEL PUMP TO BUSHING
16	F510811		1	FILTER, FUEL PUMP

# ELECTRIC STARTER (158H3D, 158B3D)

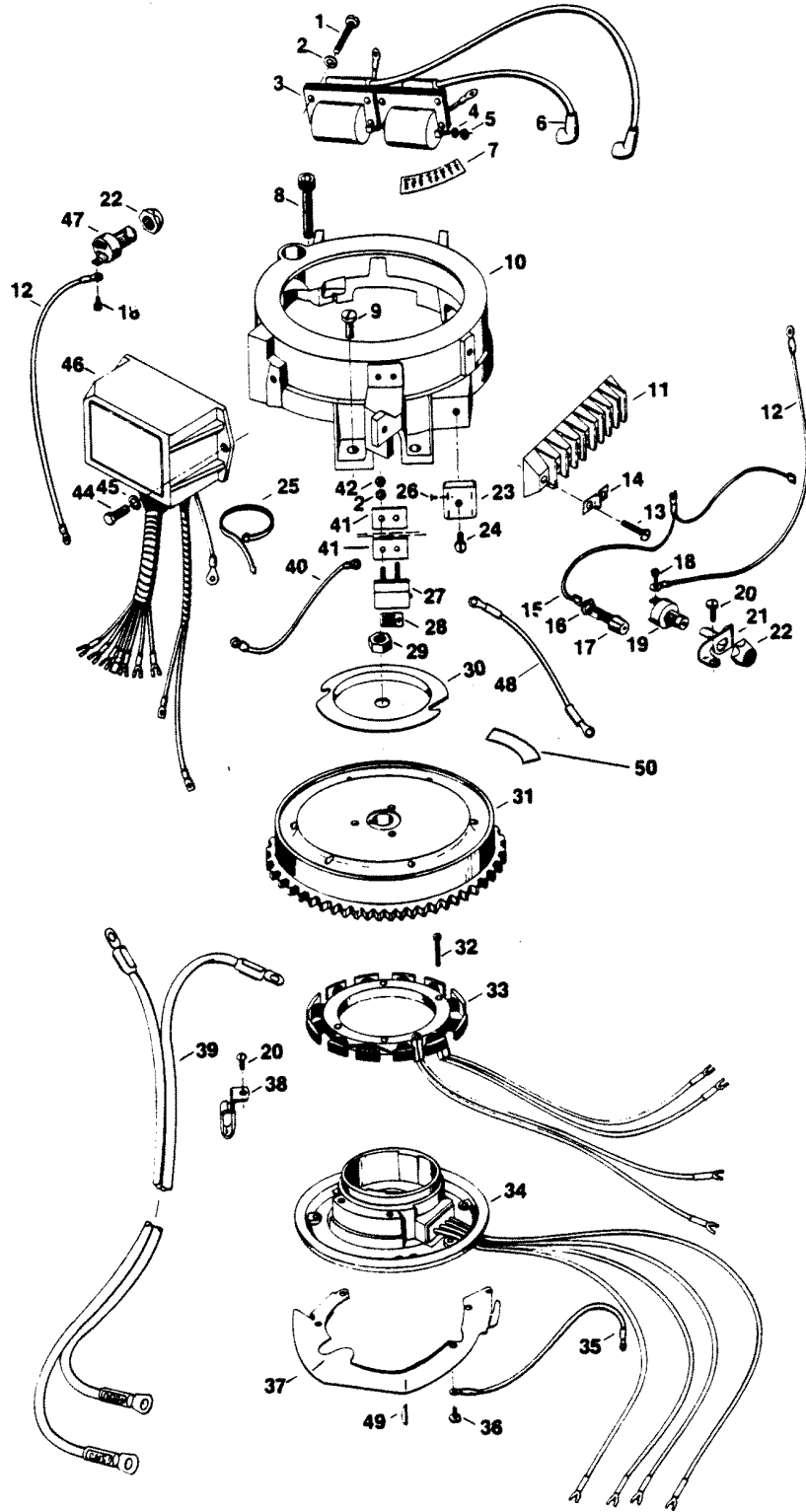


OB 3841

## ELECTRIC STARTER (158H3D, 158B3D)

REF. NO.	PART NO.	SYM.	QTY.	DESCRIPTION
1	F1892		1	STOP NUT
2	F15141		1	PINION STOP
3	F15140		1	SPRING
4	F15139		1	PINION ASSEMBLY
5	F15135		1	CAP ASSEMBLY, DRIVE END
6	F15137		1	WASHER
7	F15145		2	GASKET
8	F15134		1	ARMATURE
9	F15136		1	HOUSING ASSEMBLY
10	F15127		1	CAP ASSEMBLY, COMMUTATOR END, <b>(INCLUDES ITEMS 15, 16, 17 &amp; 18)</b>
11	F15143		1	DISC
12	F15138		2	SPRING, BRUSH
13	F15146		4	WASHER
14	F15144		2	SCREW, THRU BOLT
15	F15129		1	NUT W/LOCKWASHER
16	F15130		1	NUT
17	F15133		1	WASHER
18	F15132		1	WASHER, FIBER
-	<b>F510955</b>		<b>1</b>	<b>STARTER MOTOR COMPLETE</b>
19	FC520390		1	DECAL, STARTER - CANADA

# ELECTRICAL COMPONENTS (C-D ALTERNATOR MODELS)



OB 3841

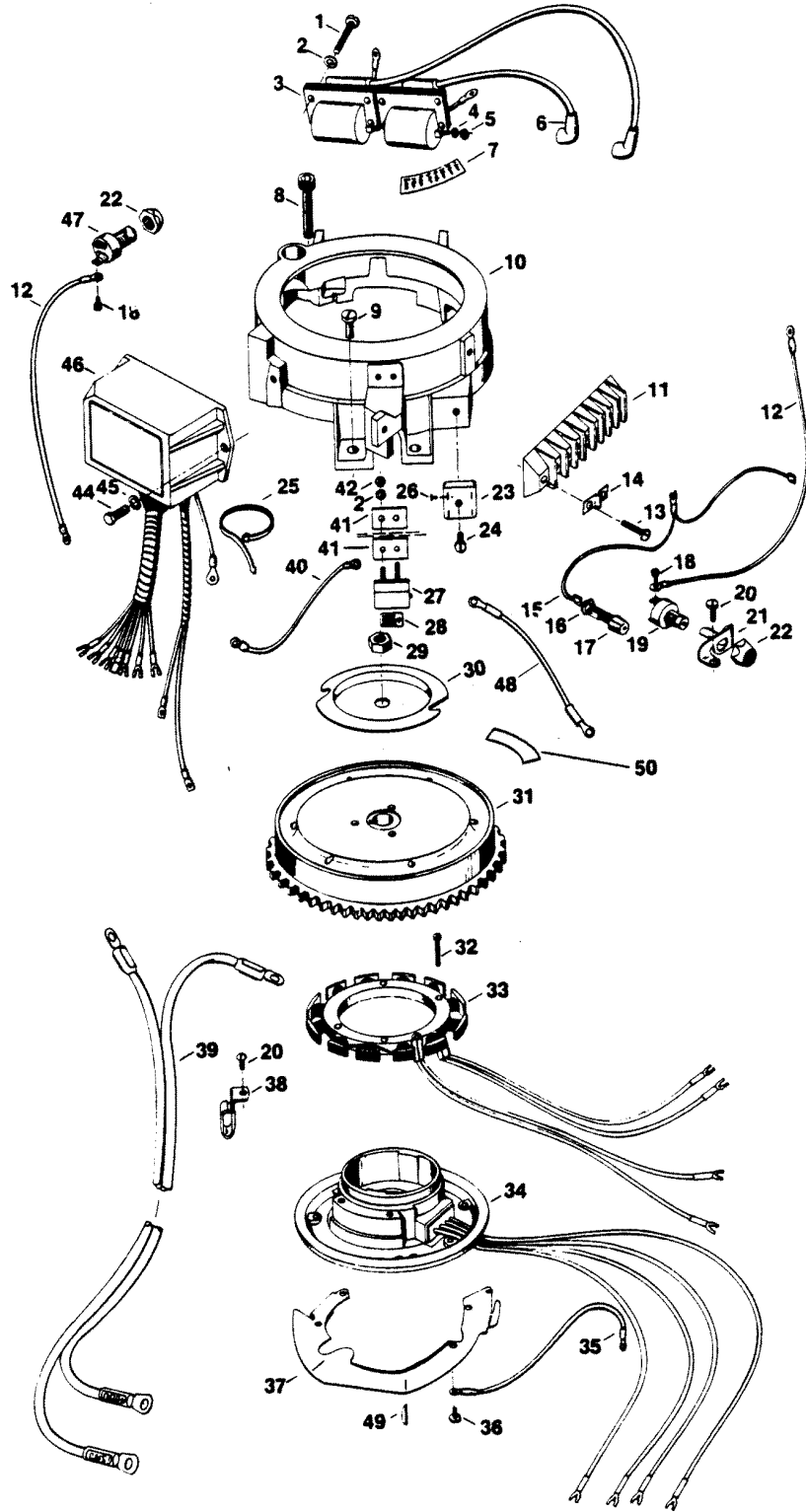


# ELECTRICAL COMPONENTS (C-D ALTERNATOR MODELS)

REF. NO.	PART NO.	SYM.	QTY.	DESCRIPTION
1	F1829		8	FILL HD M. SCREW, 10 - 24 X 7/8
2	F1975		12	SPRING LOCKWASHER
3	F510475		2	IGNITION COIL
4	F1704		2	INTERNAL TOOTH LOCKWASHER
5	F1337		2	HEX NUT, 6 - 32
6	FK1123		2	SPARKIE W/SPRING
7	FC510398		1	DECAL, WIRING
8	F1646		2	HEX SOCKET HD CAP SCREW, 3/8 - 16 X 2 - 1/4
9	F1577		4	FILL HD SCREW, 1/4 - 20 X 3/4
10	FA510675		1	STARTER SUPPORT W/A609853
11	FA510497		1	TERMINAL BLOCK <b>WILLUS. 13 AND 14</b>
12	F510841		2	WIRE, STARTER INTERLOCK SWITCH
13	F1648		2	PAN HD SCREW, 10 - 24 X 3/4
14	F307317-1		1	CLIP, TERMINAL BLOCK GROUND
15	F510908		1	WIRE, GROUND
16	F510288		1	NUT, SHORTING SWITCH
17	FK436449		1	SHORTING SWITCH <b>WILLUS. 16</b>
18	F1556		4	FILL HD M. SCREW W/SPRING LOCKWASHER, 10 - 24 X 3/8
19	F510918		1	STARTER SWITCH
20	F1802		3	FILL HD SCREW, 1/4 - 20 X 9/16
21	F510540		1	BRACKET, STARTER SWITCH
22	F510669		2	NUT, INTERLOCK SWITCH AND STARTER SWITCH
23	FK650450		1	RECTIFIER
24	F1303		1	PAN HD SCREW, 8 - 32 X 3/4
25	F1845		5	TY-RAP
26	F1645		4	ROUND HD SCREW, 6 - 32 X 1/4
27	F510460		1	CIRCUIT BREAKER
28	F510374		1	DECAL, CIRCUIT BREAKER
29	F1809		1	HEX NUT
30	F901456-1		1	EMERGENCY STARTER COLLAR
31	FA510097		1	FLYWHEEL W/A609853
32	F1087		4	FILL HD SCREW, 10 - 24 X 13/16
33	F510095		1	STATOR, ALTERNATOR
34	F510029		1	STATOR, TRIGGER
35	F404908		1	GROUND WIRE
36	F1075		4	FILL HD SCREW, 10 - 24 X 1/2
37	F617192		1	THROTTLE CAM
38	F510446		1	CLAMP, BATTERY CABLE
39	F510896		1	BATTERY CABLE
40	F493683		1	WIRE
41	F510595		2	INSULATOR, CIRCUIT BREAKER
42	F1513		2	HEX NUT, 10 - 32
44	F1999		2	HEX CAP SCREW, 1/4 - 20 X 7/8

CONTINUED ON NEXT PAGE ➡

# ELECTRICAL COMPONENTS (C-D ALTERNATOR MODELS)

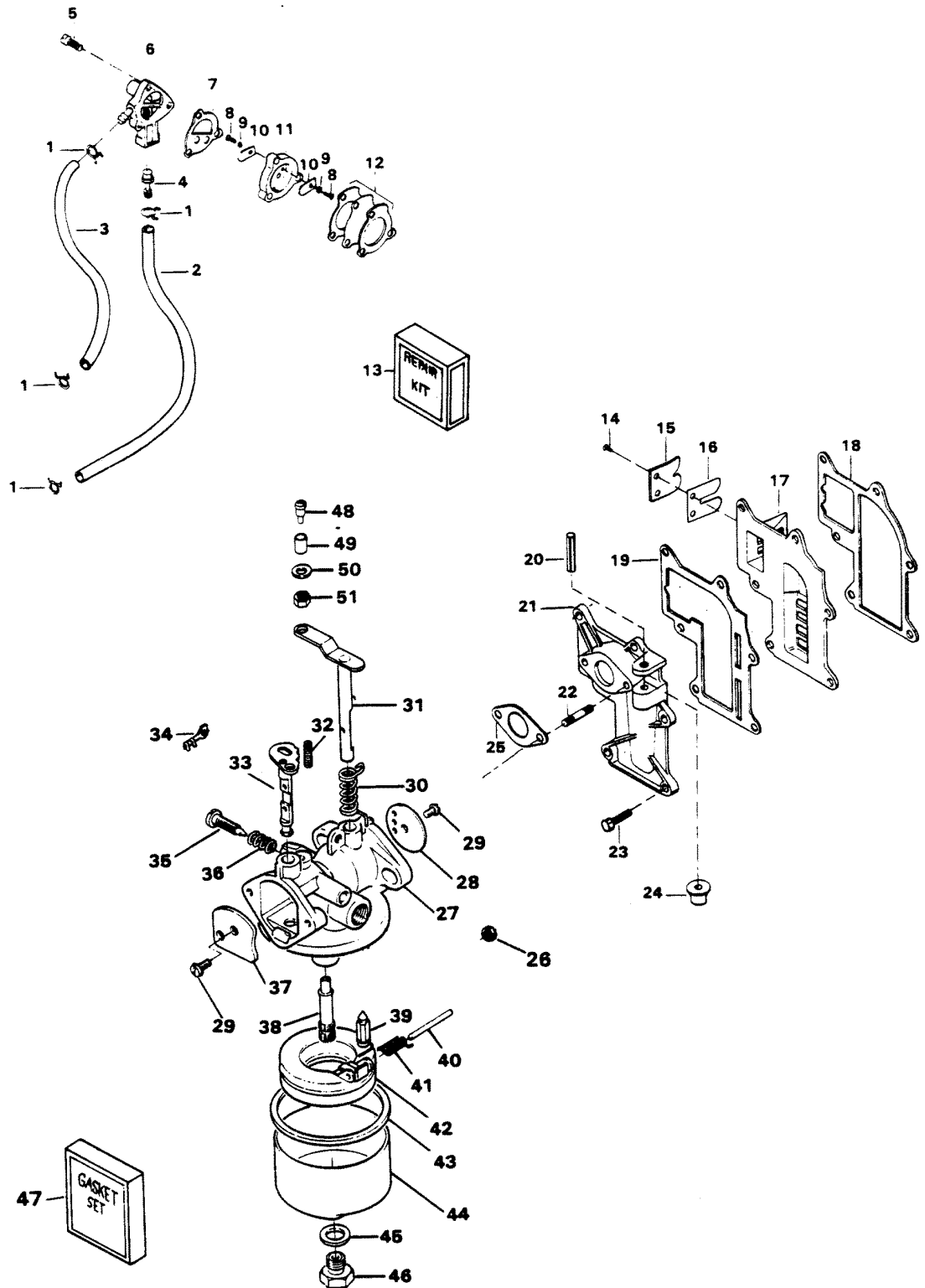


OB 3841

# ELECTRICAL COMPONENTS (C-D ALTERNATOR MODELS)

REF. NO.	PART NO.	SYM.	QTY.	DESCRIPTION
45	F8083		1	SPRING LOCKWASHER
46	F510301		1	C-D MODULE
47	F510449		1	NEUTRAL INTERLOCK SWITCH
48	F510683		1	WIRE, RECTIFIER-CIRCUIT BREAKER
49	F458498		1	KEY, FLYWHEEL
50	FA609853		1	DECAL, WARNING, W/LITERATURE
51	F510551-1		1	BRACKET, INTERLOCK SWITCH
52	F2008		2	HEX HD. M.S. 1/4 - 20X 7/8 (FOR ILLUSTRATION 51)

# FUEL SYSTEM



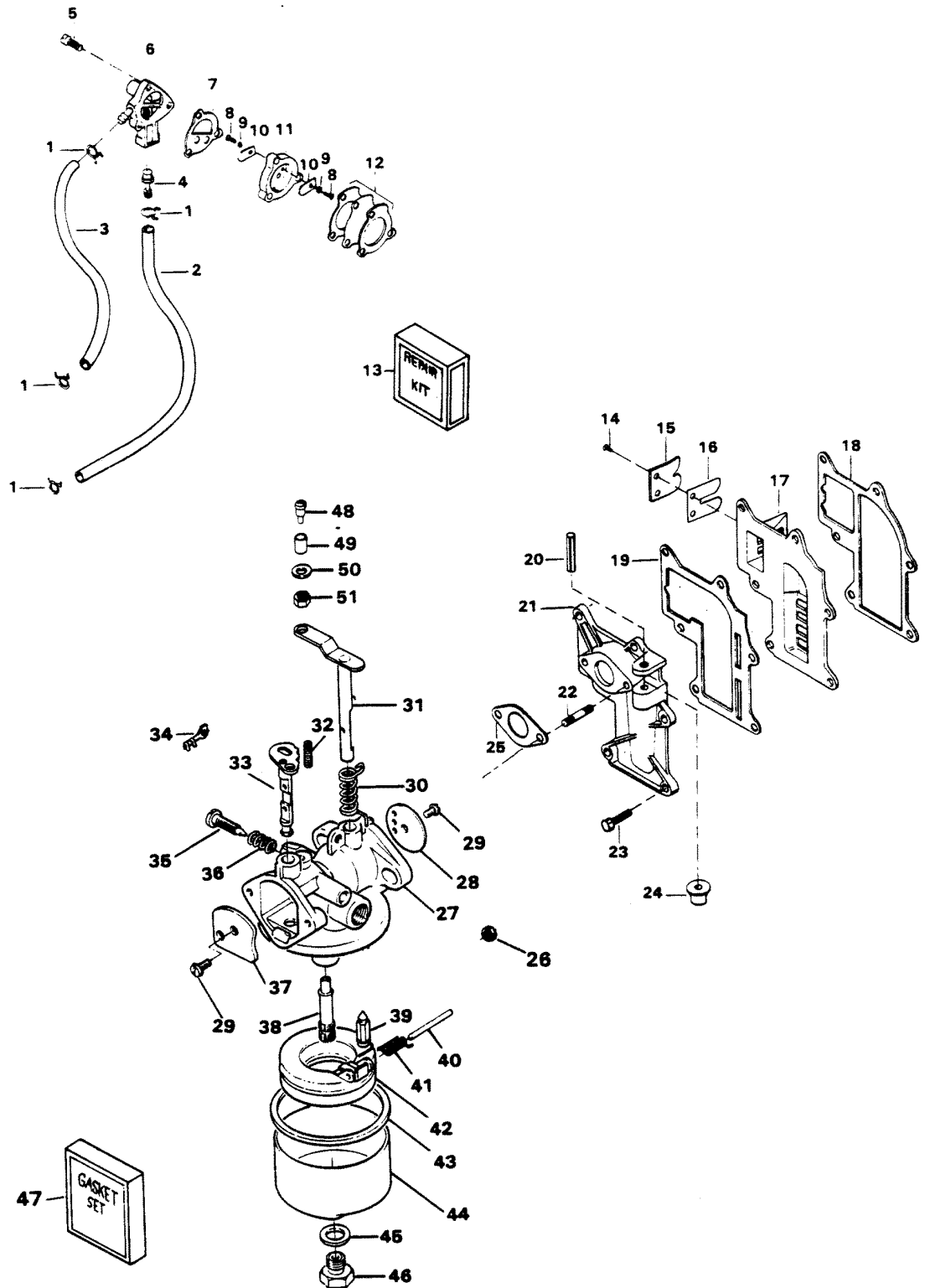
OB 3841

# FUEL SYSTEM

REF. NO.	PART NO.	SYM.	QTY.	DESCRIPTION
1	F2706772		4	HOSE CLAMP
2	F40253-1		1	FUEL LINE (152H3J, 152B3J)
3	FA24754-1		1	FUEL LINE <b>WILLUS. 1 (152H3J, 152B3J)</b>
4	F901811		1	FUEL PUMP FILTER (152H3J, 152B3J)
5	F1069		3	FILL HD SCREW, 10 - 24 X 1-1/16 (152H3J, 152B3J)
6	F901746-2		1	FUEL PUMP COVER (152H3J, 152B3J)
7	F24748-2		1	GASKET, FUEL PUMP (152H3J, 152B3J)
8	F1286		2	PAN HD SCREW, 4 - 40 X 3/16 (152H3J, 152B3J)
9	F8003		2	PLAIN WASHER (152H3J, 152B3J)
10	F18160-2		2	REED FUEL PUMP (152H3J, 152B3J)
11	F2A24757		1	FUEL PUMP REED PLATE <b>WILLUS. 8, 9 AND 10 (152H3J, 152B3J)</b>
12	27-818043A1		1	FUEL PUMP DIAPHRAGM W/GASKETS (152H3J, 152B3J)
13	FK10123		1	REPAIR PARTS KIT. <b>INCLUDES ALL ITEMS MARKED WITH AN ASTERISK (*)</b>
14	F1755		8	RD HD SCREW W/LOCKWASHER, 6 - 32 X 5/16
15	F424161		4	REED STOP
16	F31160-1		4	REED
17	FA424158		1	REED PLATE <b>WILLUS. 14, 15 AND 16</b>
18	F286159-1		1	GASKET, REED PLATE
19	F424168-1		1	GASKET, MANIFOLD
20	F1876		1	SPRING PIN (152H3J, 152B3J)
21	F2A424167		1	MANIFOLD <b>WILLUS. 20, 22 AND 24</b>
22	F2788004		2	STUD, CARBURETOR
23	F2008		6	HEX HD SCREW, 1/4 - 20 X 7/8
24	F487435		1	PULLEY, STARTER ROPE (152H3J, 152B3J)
25	F18906		1	CARBURETOR GASKET
26	F1490		2	HEX NUT, 1/4 - 20
27	F618061		1	CARBURETOR COMPLETE (LMB-229)
28	F10121		1	VALVE, THROTTLE
29	F10071		1	SCREW, CHOKE AND THROTTLE VALVES
30	F10075		1	SPRING, THROTTLE RETURN
31	F10110		1	SHAFT ASSEMBLY, THROTTLE
32	F10072		1	SPRING, CHOKE STOP
33	F10111		1	SHAFT ASSEMBLY, CHOKE
34	F341384		1	RETAINER, CHOKE RED
35	F10077		1	NEEDLE, IDLE
36	F10073		1	SPRING, IDLE NEEDLE
37	F10122		1	VALVE, CHOKE
38	F10088		1	NOZZLE
39	F10120		1	KIT, VALVE SEAT
40	F10064		1	SHAFT, FLOAT ASSEMBLY
41	F10084		1	SPRING, FLOAT SUPPORT
42	F10063		1	FLOAT ASSEMBLY <b>WILLUS. 40</b>

CONTINUED ON NEXT PAGE ➡

# FUEL SYSTEM

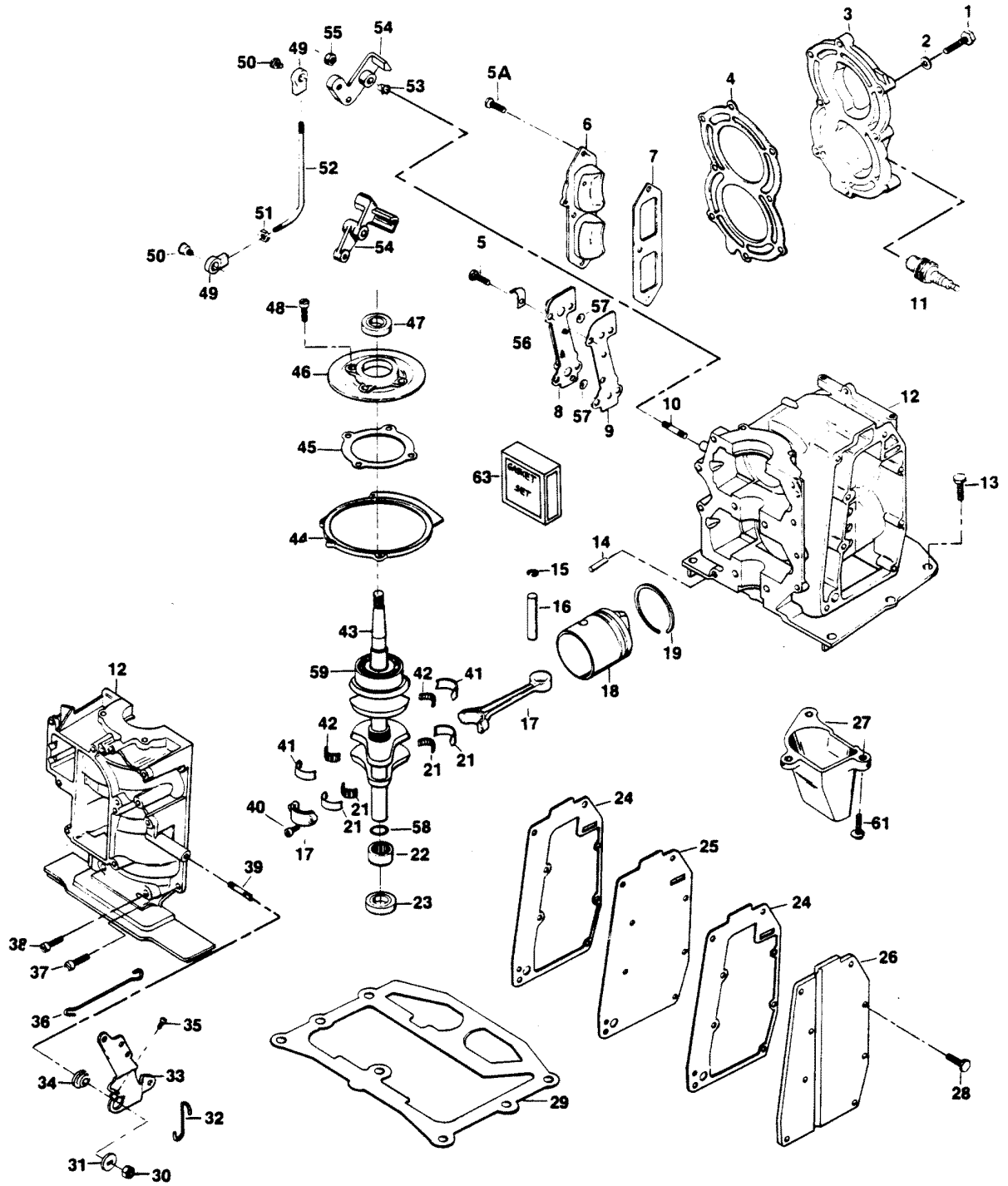


OB 3841

# FUEL SYSTEM

REF. NO.	PART NO.	SYM.	QTY.	DESCRIPTION
43	F10068		1	GASKET, BODY TO BOWL
44	F10058		1	BOWL, FUEL
45	F10090		1	GASKET, BOWL RETAINER
46	F10126		1	JET ASSEMBLY - MAIN FUEL (.0625)
47	FK10124		1	GASKET KIT, CARBURETOR <b>INCLUDES ALL ITEMS MARKED WITH A DOUBLE ASTERISK (**)</b>
-	<b>F10116</b>		<b>1</b>	<b>PLUG KIT (NOT SHOWN)</b>
48	F333316		1	SHAFT, THROTTLE CAM ROLLER
49	F92759		1	ROLLER, THROTTLE CAM
50	F2042		1	PLAIN WASHER
51	F1997		1	LOCK NUT, 8 - 32

# POWER HEAD



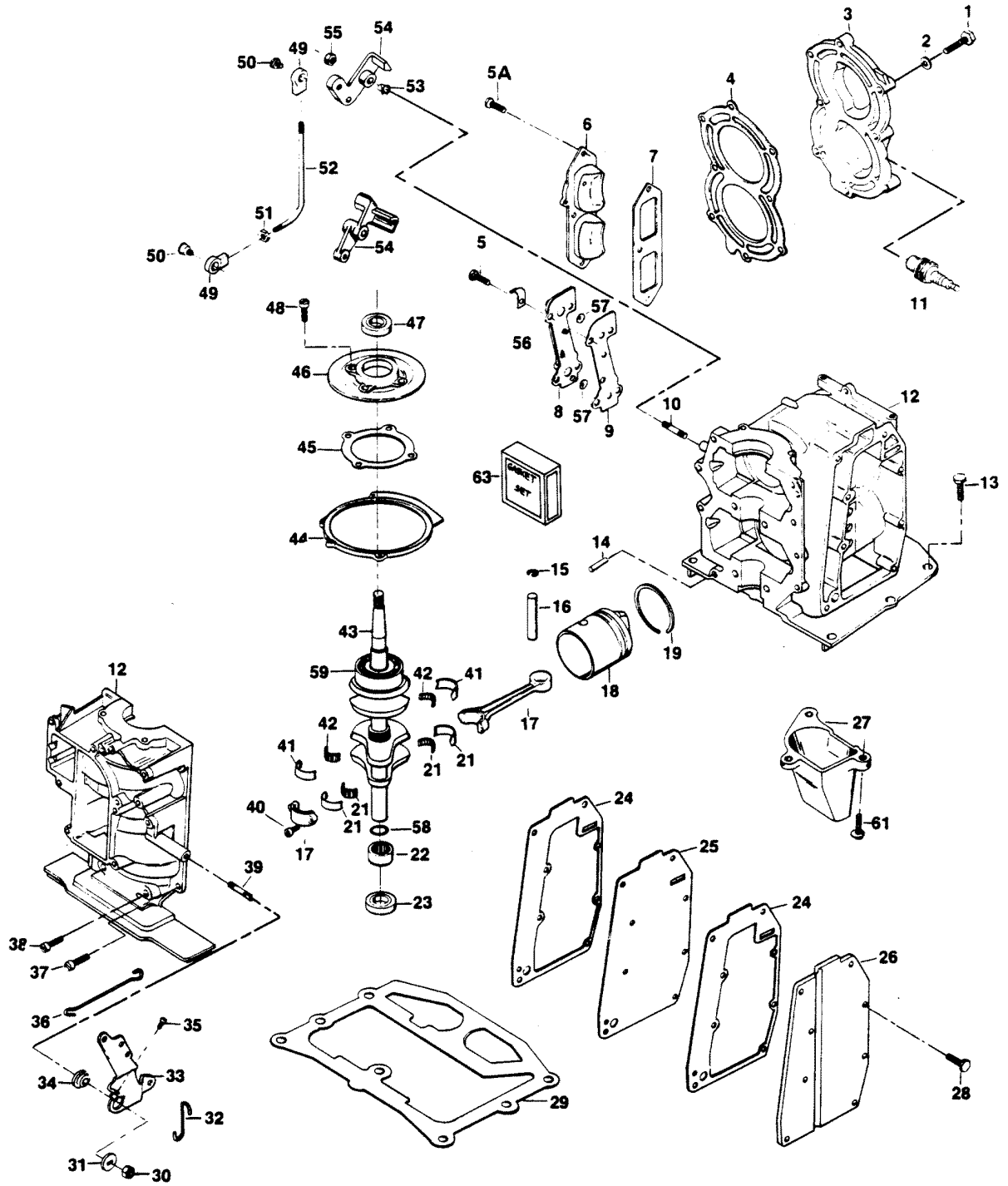


# POWER HEAD

REF. NO.	PART NO.	SYM.	QTY.	DESCRIPTION
1	F901938-1		8	SCREW, CYLINDER HEAD
2	F8025		8	PLAIN WASHER
3	F286518		1	HEAD, CYLINDER
4	F286529-3		1	GASKET, CYLINDER HEAD
5	F1922		7	HEX HD SCREW, 1/4 - 20 X 5/8
5A	F1922		3	HEX HD SCREW, 1/4 - 20 X 5/8 15 H.P. MANUAL START
-	<b>F510165</b>		<b>3</b>	<b>SCREW, TRANSFER PORT COVER 15 H.P. C-D ALTERNATOR</b>
-	<b>F1859</b>		<b>1</b>	<b>HEX SOCKET HEADLESS SET SCREW, 1/4 - 28 3/16 (TRANSFER PORT COVER ) 15 H.P. C-D ALTERNATOR</b>
6	F286222		1	COVER, TRANSFER PORT, 15 H.P. MANUAL START
-	<b>F510222</b>		<b>1</b>	<b>TRANSFER PORT COVER, 15 H.P. C-D ALTERNATOR</b>
7	F286223		1	GASKET, TRANSFER PORT COVER
8	FA429471		1	COVER, CYLINDER DRAIN W/CHECK VALVES AND ILLUS. 57
9	F429472		1	GASKET, CYLINDER DRAIN COVER
10	F28004		1	STUD, INTERLOCK LEVER
11	33-82370M		2	PLUG, SPARK, L-82
-	<b>FC235227</b>		<b>2</b>	<b>PLUG, SPARK CHAMPION (RL-82), FOR MODELS 152H3J, 152B3J</b>
-	<b>FC503227</b>		<b>2</b>	<b>PLUG, SPARK CHAMPION (QL-77-J4), FOR MODELS 158H3D, 158B3D</b>
12	FA473010		1	CYLINDER W/CRANKCASE COVER, DOWEL PINS, AND SCREWS AND STUDS- 15 H.P. MANUEL START
-	<b>800-819091A1</b>		<b>1</b>	<b>SHORT BLOCK (NOT SHOWN) INCLUDES ALL ITEMS MARKED WITH AN ASTERISK (*) ORIGINAL FORCE P/N C472010-1</b>
-	<b>FA520010</b>		<b>1</b>	<b>CYLINDER W/CRANKCASE COVER , DOWEL PINS, SCREWS AND STUDS - 15 H.P. C-D ALTERNATOR</b>
-	<b>800-817907A2</b>		<b>1</b>	<b>SHORT BLOCK (NOT SHOWN) INCLUDES ALL ITEMS MARKED WITH AN ASTERISK (*) ORIGINAL FORCE P/N C520010-1</b>
13	F1823		6	HEX CAP SCREW, 5/16 - 18 X 1
14	F8559		2	DOWEL PIN
15	F31410		4	RETAINING RING, PISTON PIN
16	F174017		2	PIN, PISTON
17	F2A286016		2	ROD, CONNECTING
18	F472015-2		2	PISTONS
19	FA472260		2	PISTON RING SET (2 PER SET)
21	FA517228		2	ROLLER SET CRANKPIN
22	F343014		1	BEARING, CRANKSHAFT LOWER MAIN
23	F141118		1	SEAL, CRANKSHAFT LOWER
24	F286154		2	GASKET, EXHAUST COVER
25	F286151		1	PLATE, EXHAUST
26	F286152		1	COVER, EXHAUST
27	F487660-1		1	EXHAUST TUBE
28	F2008		8	HEX HD SCREW, 1/4 - 20 X 7/8

CONTINUED ON NEXT PAGE ➡

# POWER HEAD

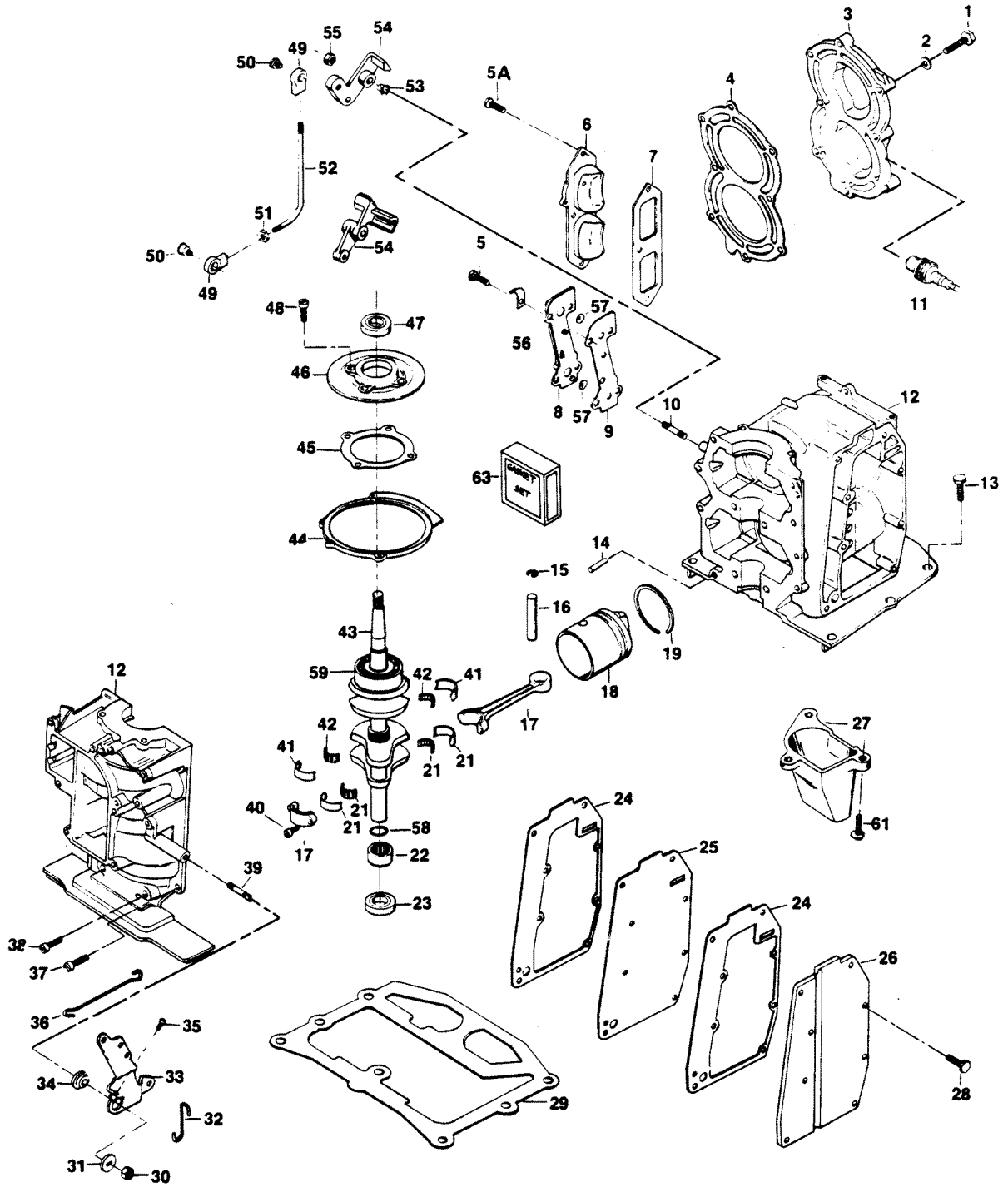


# POWER HEAD

REF. NO.	PART NO.	SYM.	QTY.	DESCRIPTION
29	F286279-2		1	GASKET, CYLINDER MOUNTING
30	F1803		1	STOP NUT, 5/16 - 24
31	F286282		1	WASHER
32	F286445		1	LINK, MAGNETO SHAFT
33	817971A3		1	LEVER, MAGNETO CONTROL
34	F183813		1	BEARING, MAGNETO CONTROL LEVER
35	F1820		1	FILL HD SCREW, 1/4 - 20 X 1-3/8
36	F286509		1	LINK, THROTTLE CAM
37	F1107		8	FILL HD SCREW, 1/4 - 20 X 3/4
38	F1335		4	FILL HD SCREW, 5/16 - 18 X 1-1/4
39	F286440		1	STUD, MAGNETO CONTROL LEVER
40	F286634-1		4	SCREW, CONNECTING ROD
41	FA286155		1	MAIN BEARING LINER SET (2 PER SET)
42	F286571		1	ROLLER SET, MAIN BEARING (26 PER SET)
43	F2A472018		1	CRANKSHAFT <b>W/ILLUS. 59</b>
44	F73082		1	RING, MAGNETO STATOR
45	F286277		1	GASKET, CRANKSHAFT BEARING CAGE
46	1100-817753A1		1	CAGE, CRANKSHAFT BEARING <b>W/ILLUS. 47 ORIGINAL FORCE P/N A286144-1</b>
47	F346146		1	SEAL, CRANKSHAFT UPPER
48	F1111		4	FILL HD SCREW, 1/4 - 20 X 7/8
49	F84035-2		2	BEARING, INTERLOCK ROD
50	F84026		2	SWIVEL, INTERLOCK ROD BEARING
51	F1339		1	HEX NUT, 10-24
52	F510531		1	INTERLOCK ROD 15 H.P. C-D ALTERNATOR
53	F197813		1	BEARING, INTERLOCK LEVER
54	F510977-1		1	INTERLOCK LEVER 15 H.P. C-D ALTERNATOR
55	F7008		1	STOP NUT, 1/4 - 20
56	F286772-1		1	HOSE CLAMP
57	F429811		2	SCREEN
58	F461342		1	SEAL, DRIVESHAFT SPLINE
59	F286028		1	BEARING, CRANKSHAFT UPPER MAIN
61	F2040		3	HEX WASHER HD M. SCREW, 1/4 - 20 X 5/8
63	FG1005-2		1	GASKET SET <b>INCLUDES ITEMS MARKED WITH A STAR</b>
-	<b>F18906</b>		<b>1</b>	<b>GASKET, CARBURETOR</b>
-	<b>F286154</b>		<b>2</b>	<b>GASKET, EXHAUST</b>
-	<b>F286159-1</b>		<b>1</b>	<b>GASKET, REED PLATE</b>
-	<b>F286223</b>		<b>1</b>	<b>GASKET, TRANSFER PORT</b>
-	<b>F286277</b>		<b>1</b>	<b>GASKET, CRANKSHAFT BEARING CAGE</b>
-	<b>F286279-2</b>		<b>1</b>	<b>GASKET, CYLINDER MOUNTING</b>
-	<b>F286529-3</b>		<b>1</b>	<b>GASKET, CYLINDER HEAD</b>
-	<b>F424168-1</b>		<b>1</b>	<b>GASKET, MANIFOLD</b>
-	<b>F429472</b>		<b>1</b>	<b>GASKET, CYLINDER DRAIN COVER</b>

CONTINUED ON NEXT PAGE ➡

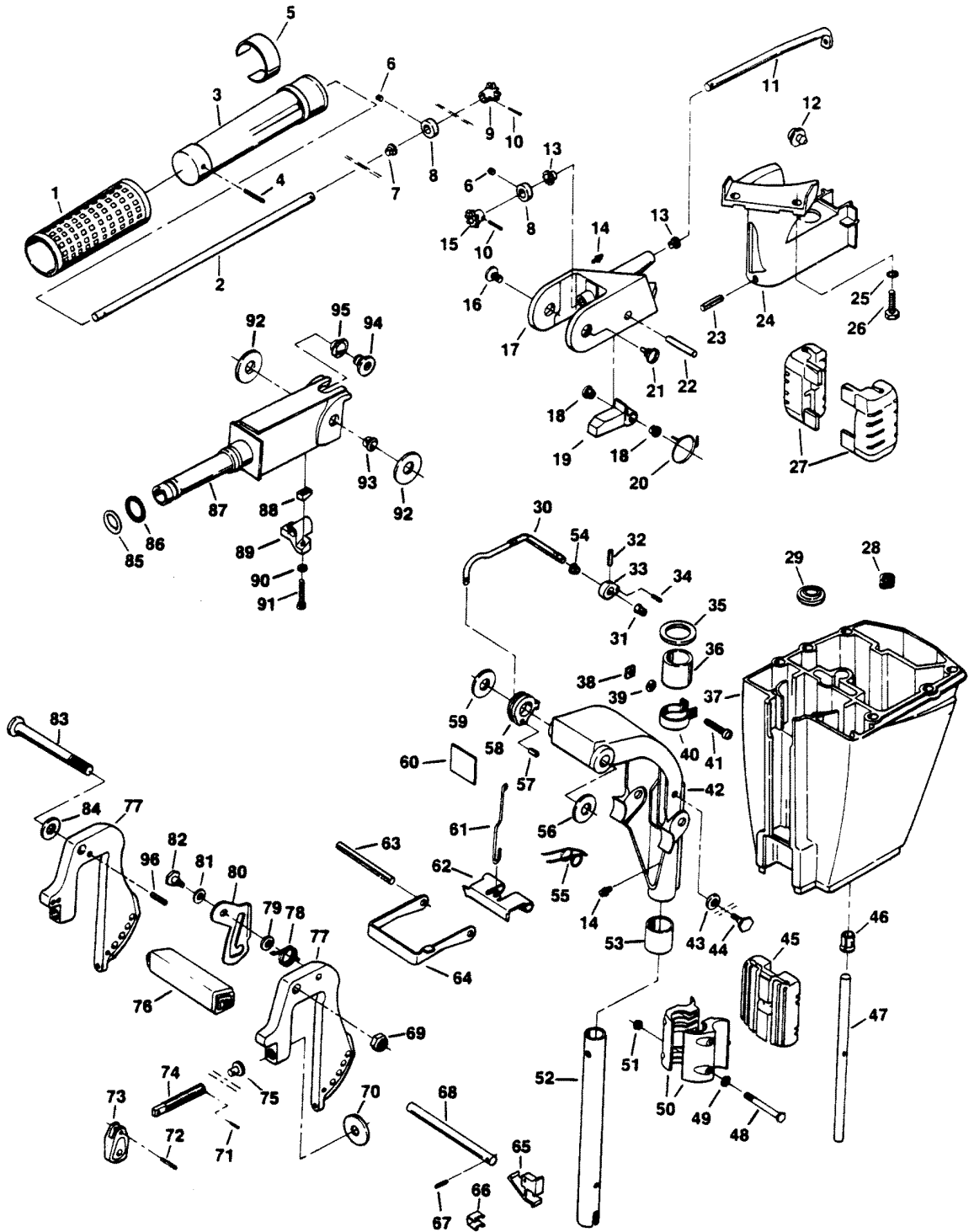
# POWER HEAD



**POWER HEAD**

<b>REF. NO.</b>	<b>PART NO.</b>	<b>SYM.</b>	<b>QTY.</b>	<b>DESCRIPTION</b>
64	A286229-1		2	LINER, CONNECTING ROD (2 PER SET)

# MOTOR LEG

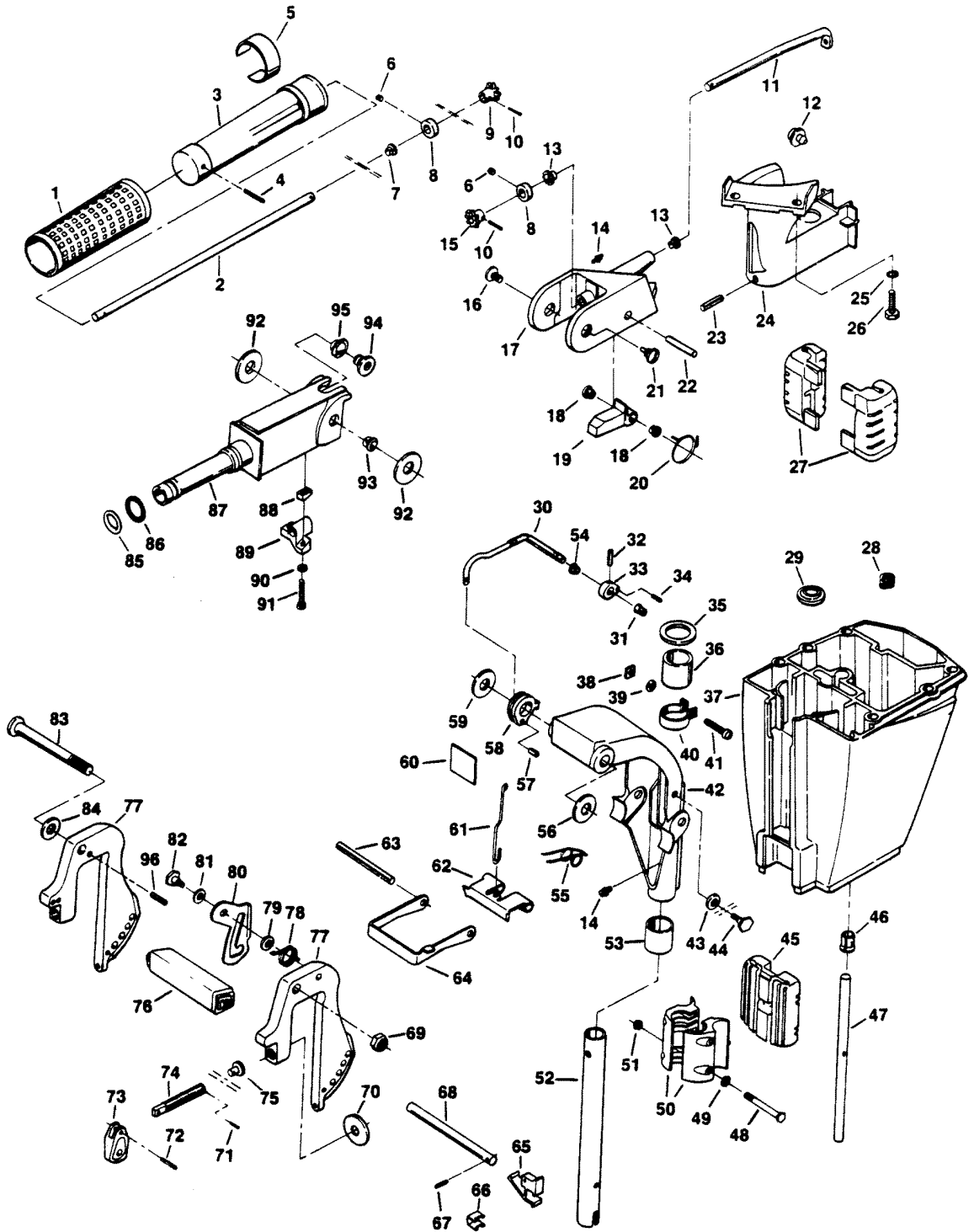


# MOTOR LEG

REF. NO.	PART NO.	SYM.	QTY.	DESCRIPTION
1	F458695		1	SLEEVE
2	F429688		1	SHAFT, STEERING HANDLE
3	FA456137		1	GRIP, STEERING HANDLE <b>W/ILLUS. 1</b>
4	F8548		1	SPRING PIN
5	37-F286894-3		1	STEERING HANDLE INDICATOR
6	F1859		2	HEX SOCKET HEADLESS SET SCREW
7	F8561		1	BEARING
8	FA343178		2	RETAINER <b>W/ILLUS. 6</b>
9	43-818009--1		1	GEAR, STEERING HANDLE SHAFT
10	F1978		2	SPRING PIN
11	F431838		1	MAGNETO CONTROL SHAFT
12	F286539		1	BUMPER
13	F307818		2	BEARING
14	F213274		4	GREASE FITTING
15	43-818009--1		1	GEAR, MAGNETO CONTROL SHAFT
16	F1799		1	TRUSS HD SCREW, 5/16 - 18 X 5/8
17	817751A3		1	STEERING HANDLE BRACKET <b>W/ILLUS. 14 ORIGINAL FORCE P/N A286078-2</b>
18	F197813		2	BEARING, STEERING HANDLE STOP
19	F286490		1	STEERING HANDLE STOP
20	F286868		1	SPRING, STEERING HANDLE STOP
21	F286080		1	SCREW, STEERING HANDLE PIVOT
22	F1807		1	GROOVE PIN
23	F1805		1	SPRING PIN
24	FA286582		1	STEERING ARM <b>W/ILLUS. 12 AND 23</b>
25	F8060		2	EXTERNAL TOOTH LOCKWASHER
26	F1922		2	HEX CAP SCREW, 1/4 - 20
27	F286347		2	SHOCK MOUNT, UPPER
28	F286414		1	SPRING, LEG WATER BRACKET
29	F901307-2		1	SEAL, MOTOR LEG
30	FA387742		1	LEVER, REVERSE LOCK INTERMEDIATE ASSY
31	F197813		1	BEARING
32	F8538		1	SPRING PIN
33	F286364		1	LEVER, REVERSE LOCK
34	F1794		1	SPRING PIN
35	F286011		1	WASHER, SWIVEL BRACKET
36	F286169		1	BEARING, SWIVEL BRACKET
37	F2A477133		1	MOTOR LEG <b>W/ITEMS 29,46 &amp; 27</b>
38	F1608		1	SQUARE NUT, 1/4 - 20
39	F1907		1	WASHER
40	F286573-1		1	CLAMP, STEERING FRICTION
41	F1820		1	FILL HD SCREW, 1/4 - 20 X 1 3/8
42	1400-817750A4		1	SWIVEL BRACKET <b>W/ILLUS. 14 AND 53 ORIGINAL FORCE P/N A286072-2</b>

CONTINUED ON NEXT PAGE ➡

# MOTOR LEG



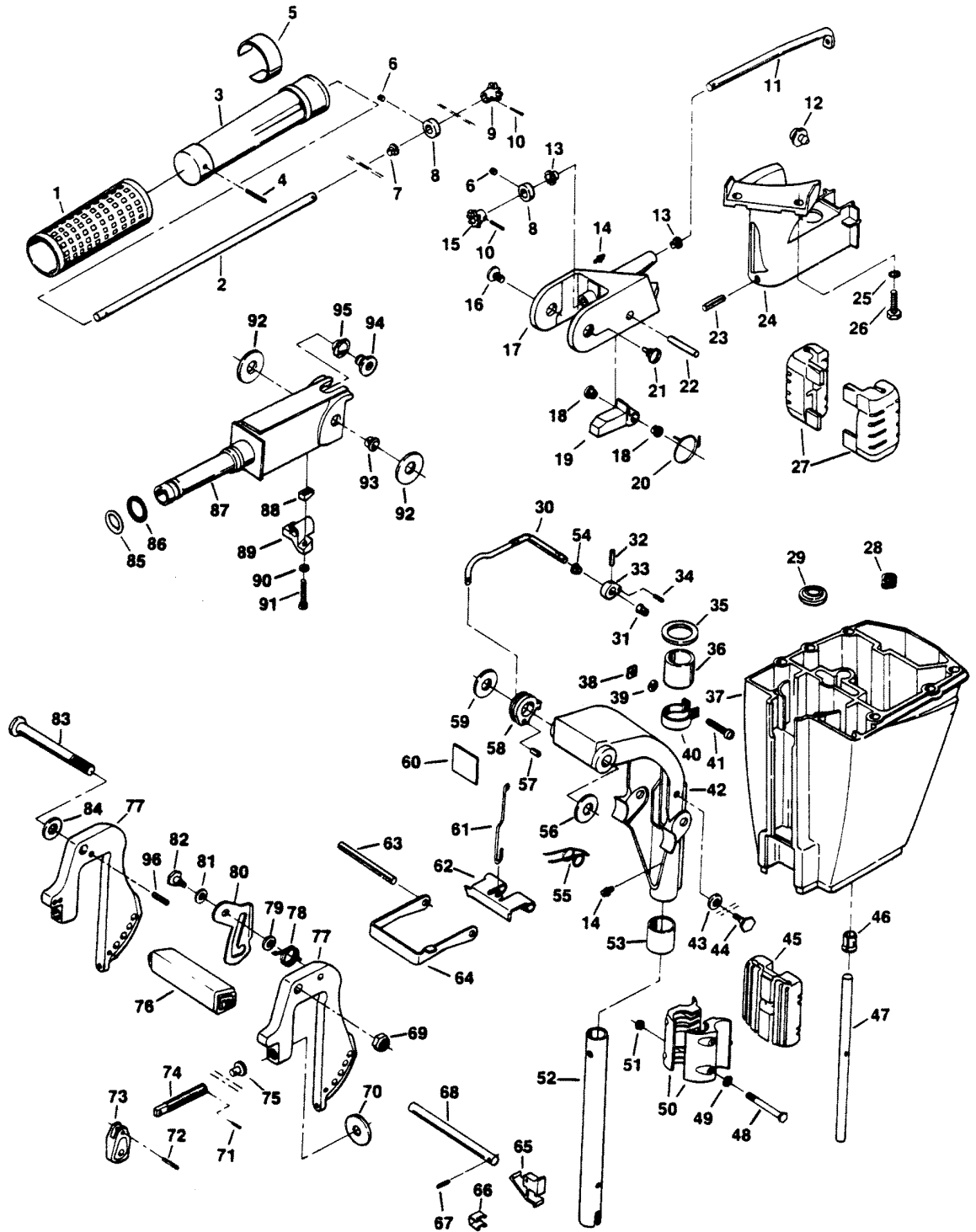


# MOTOR LEG

REF. NO.	PART NO.	SYM.	QTY.	DESCRIPTION
43	F286451		1	SPACER, TILT LOCK
44	F286422-1		1	TILT LOCK PIVOT
45	F286346		1	SHOCK MOUNT LOWER
46	F286914		1	SLEEVE WATER LINE
47	F286244		1	WATER LINE
48	FA1844		2	HEX BOLT, 1/4 - 20 X 2-3/8 <b>W/ILLUS. 49</b>
49	F8083		2	SPRING LOCKWASHER
50	F286956		2	BRACKET, SHOCK MOUNT LOWER
51	F1341		2	HEX NUT, 1/4 - 20
52	F286019		1	KINGPIN
53	F286169		1	BEARING, SWIVEL BRACKET
54	F536813		1	BEARING, REVERSE LOCK INTERMEDIATE LEVER
55	F286300		1	SPRING, REVERSE LOCK
56	F286286-1		1	WASHER, STERN BRACKET
57	F1794		1	SPRING PIN
58	F286827		1	REVERSE LOCK RELEASE LEVER
59	F525286		1	WASHER
60	F286585-1		1	DECAL, TILT RELEASE
61	FA341510		1	LINK, REVERSE LOCK LEVER <b>W/LITERATURE</b>
62	F286349		1	REVERSE LOCK
63	F1806		1	GROOVE PIN
64	F286433		1	BRACKET SHALLOW WATER DRIVE
65	F286114		1	LOCK BAR HANDLE
66	F286461		1	SPRING, LOCK BAR HANDLE
67	F8540		1	SPRING PIN
68	FA617113		1	LOCK BAR <b>W/ILLUS. 65, 66 AND 67</b>
69	F7026		1	STOP NUT, 3/8 - 16
70	F24074		2	CLAMP SCREW FOOT
71	F8537		2	SPRING PIN
72	F8554		2	SPRING PIN
73	F424075		2	HANDLE, CLAMP SCREW
74	817761A2		2	CLAMP SCREW <b>W/ILLUS. 70, 71 AND 75 ORIGINAL FORCE P/N A298073-2</b>
75	F66480		2	STUD CLAMP SCREW
76	F286647		1	CARRYING HANDLE
77	FS617532		2	STERN BRACKET PORT <b>W/ILLUS. 74</b>
78	F286544-1		1	SPRING, TILT STOP
79	F286451		1	SPACER, TILT LOCK
80	F429541		1	TILT LOCK
81	F1666		1	BOWED SPRING WASHER
82	F286422-1		1	TILT LOCK PIVOT
83	F617037		1	STERN BRACKET PIVOT BOLT
84	F2014		1	PLAIN WASHER

CONTINUED ON NEXT PAGE ➡

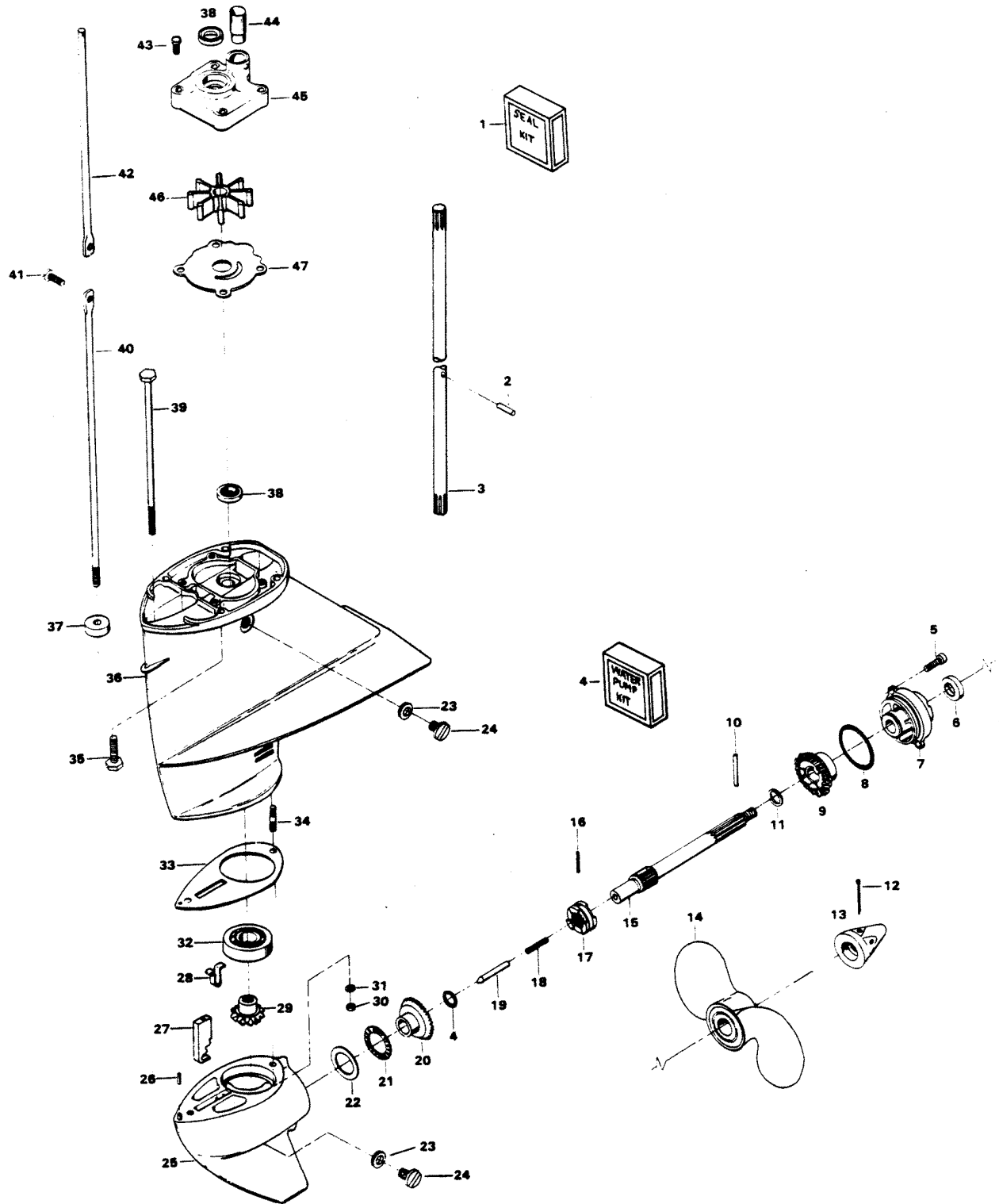
# MOTOR LEG



# MOTOR LEG

REF. NO.	PART NO.	SYM.	QTY.	DESCRIPTION
85	F215795		1	SEAL
86	F53795-1		1	SEAL, STEERING HANDLE GRIP DAMPENER (LARGE)
87	F286079-1		1	STEERING HANDLE
88	F341693		1	WEDGE, STEERING HANDLE
89	F487816		1	BEARING, STEERING HANDLE
90	F8058		2	INTERNAL TOOTH LOCKWASHER
91	F1829		2	FILL HD SCREW, 10 - 24 X 7/8
92	F286220		2	WASHER, STEERING HANDLE
93	F197813		1	BEARING
94	F286224		1	INSERT, STEERING HANDLE PIVOT
95	F286818		1	BEARING
96	F8538		1	SPRING PIN

# GEAR HOUSING



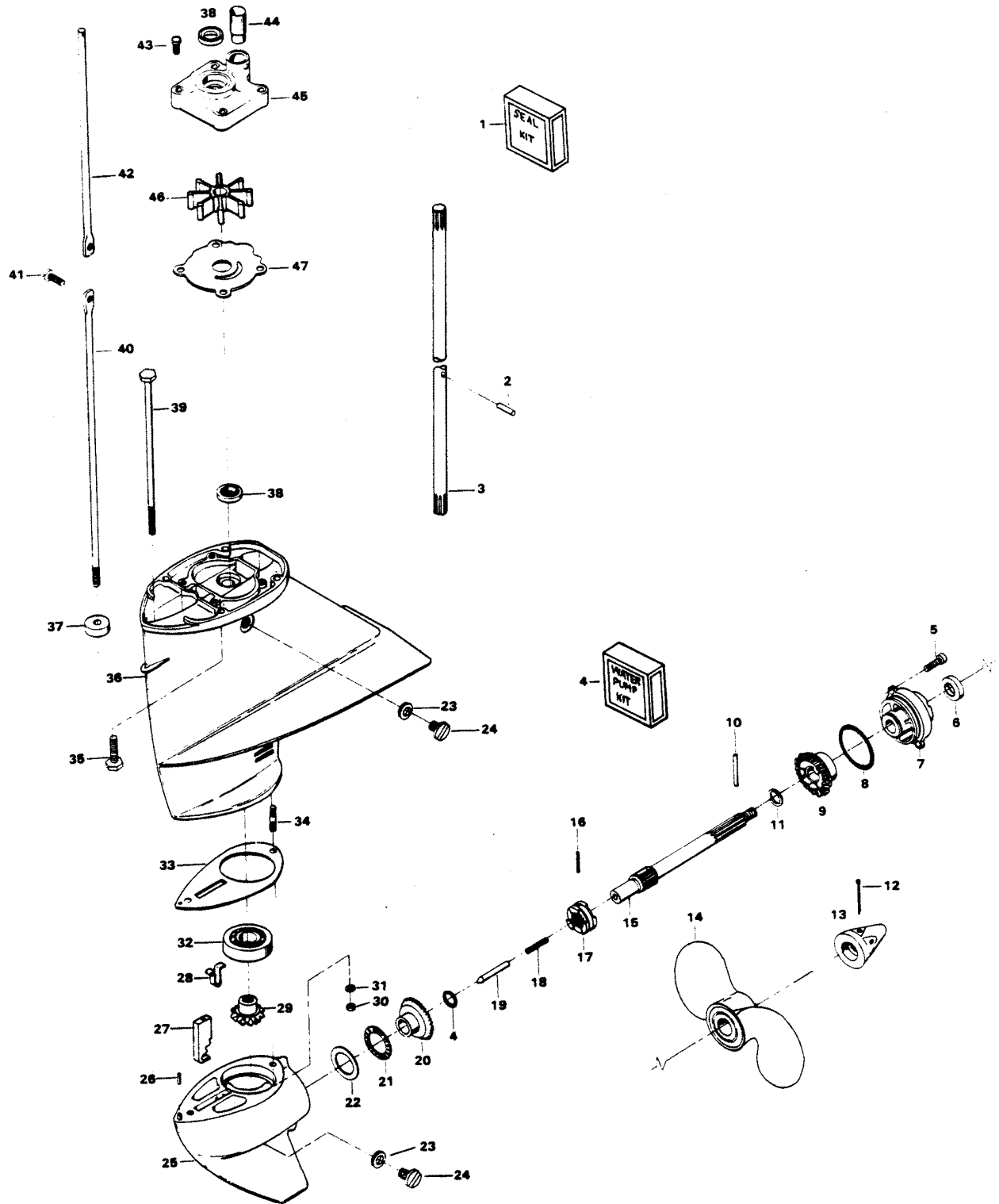
OR 2041

# GEAR HOUSING

REF. NO.	PART NO.	SYM.	QTY.	DESCRIPTION
1	FK1065		1	GEAR HOUSING SEAL KIT <b>INCLUDES ALL ITEMS MARKED WITH A DOUBLE ASTERISK (**)</b>
2	F901563		1	WATER PUMP IMPELLER DRIVE PIN
3	F343128		1	DRIVESHAFT
4	FK1031-1		1	WATER PUMP KIT. <b>INCLUDES ITEMS MARKED WITH A STAR</b>
-	<b>F2030</b>		<b>4</b>	<b>SCREW, 1/4 - 20 X 1-1/4</b>
-	<b>F341562</b>		<b>1</b>	<b>PLATE, WATER PUMP BACK</b>
-	<b>F436065-1</b>		<b>1</b>	<b>IMPELLER</b>
-	<b>F510914</b>		<b>1</b>	<b>SEAL, WATER LINE</b>
-	<b>F901563</b>		<b>1</b>	<b>PIN, WATER PUMP IMPELLER DRIVE</b>
-	<b>FA504060</b>		<b>1</b>	<b>BODY, WATER PUMP</b>
5	F1493		2	FILL HD SCREW, 1/4 - 20 X 5/8
6	F346118		1	SEAL, PROPELLER SHAFT
7	31-817756A2		1	PROPELLER SHAFT BEARING CAGE <b>W/BEARING AND ITEMS 6 AND 8 ORIGINAL FORCE P/N A286298-1</b>
8	F455305		1	SEAL, PROP SHAFT BEARING CAGE
9	FA456662		1	BEVEL GEAR REAR W/BEARING
10	FA324101		1	PROPELLER PIN, PACK OF 3 <b>W/ILLUS. 12</b>
11	F456717		2	THRUST WATER
12	F1846		1	COTTER PIN
13	11-817752A1		1	PROPELLER NUT <b>W/ILLUS. 12 ORIGINAL FORCE P/N A286094-1</b>
14	FP6430		1	PROPELLER (ACCESSORY ITEM)
15	F456098		1	PROPELLER SHAFT
16	F8564		1	SPRING PIN
17	FA456521		1	CLUTCH <b>W/LITERATURE</b>
18	F409719		1	CLUTCH SPRING
19	F286728		1	CLUTCH SHIFT PIN
20	FA456023		1	BEVEL GEAR FRONT W/BEARING
21	F286901		1	BEARING, RADIAL, PROPELLER SHAFT
22	F286903		1	RACE, PROPELLER SHAFT BEARING
23	F8077		2	NYLTITE WASHER
24	F50109		2	GEAR HOUSING PLUG
25	FA286054		1	GEAR HOUSING LOWER <b>W/PROP SHAFT BEARING, ILLUS. 23, 24 AND 26</b>
-	<b>FC456054</b>		<b>1</b>	<b>LOWER GEAR HOUSING COMPLETE (NOT SHOWN) INCLUDES ALL ITEMS MARKED WITH AN ASTERISK (*)</b>
26	F8553		1	SPRING PIN
27	F286721		1	CLUTCH, SHIFT CAM
28	F286895		1	SPRING CAM DETENT
29	FA286266		1	GEAR, BEVEL PINION <b>W/ITEM 32</b>
30	F1490		1	HEX NUT, 1/4 - 20
31	F8083		1	SPRING LOCKWASHER
32	F127910-2		1	BALL BEARING

CONTINUED ON NEXT PAGE ➡

# GEAR HOUSING

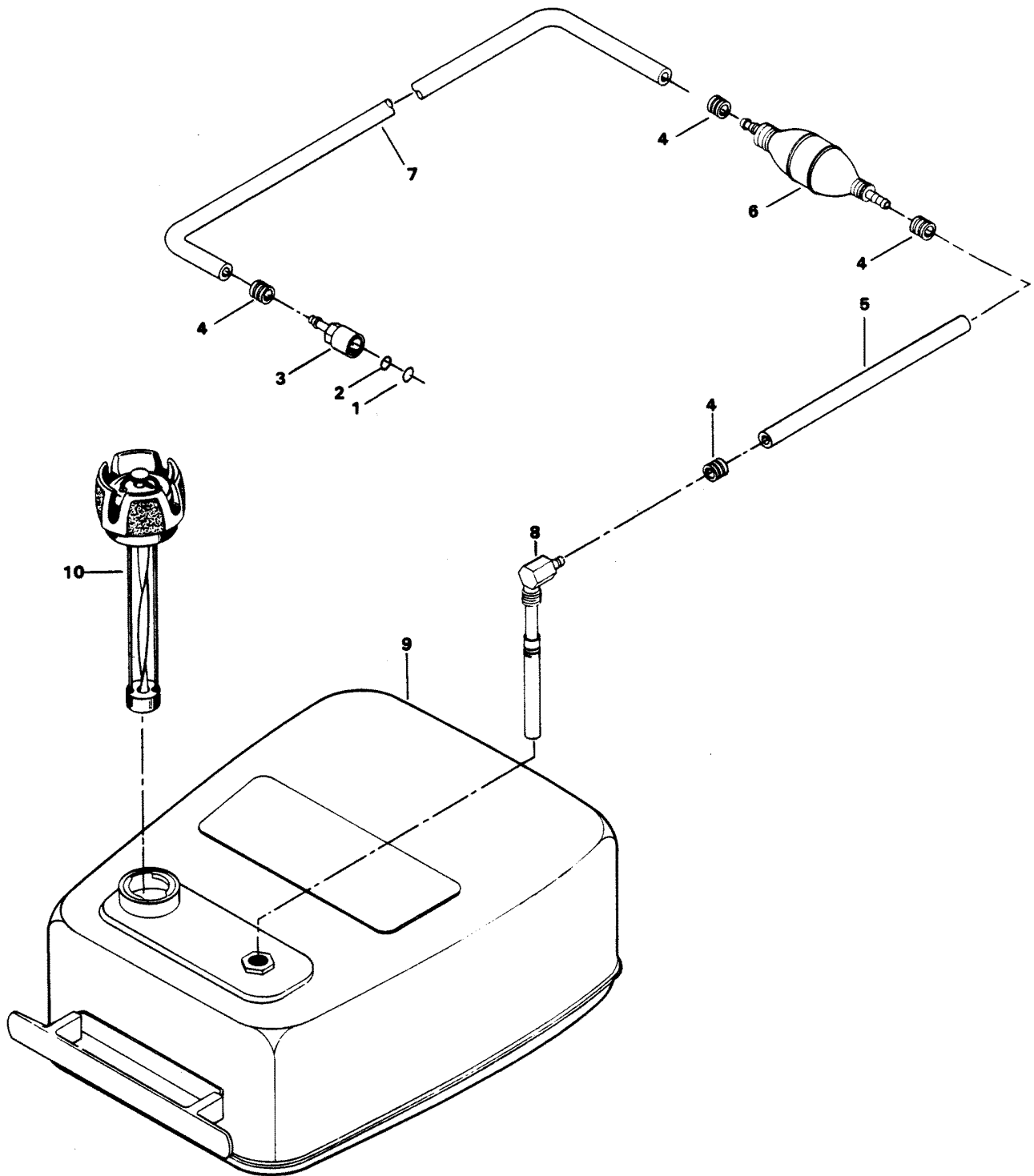


OR 2044

# GEAR HOUSING

REF. NO.	PART NO.	SYM.	QTY.	DESCRIPTION
33	F286555		1	GASKET, GEAR HOUSING
34	F286008		1	STUD, GEAR HOUSING REAR
35	F430732		4	HEX HD SCREW, 1/4 - 20 X 1
36	1600-824916A1		1	<b>GEAR HOUSING UPPER W/BEARING AND ITEMS 23, 24, 34, 37 AND 38 ORIGINAL FORCE P/N A456554-1</b>
37	F338618-1		1	SEAL, GEAR SHIFT ROD LOWER
38	F901307-2		2	SEAL, DRIVESHAFT AND WATER PUMP
39	F1800		1	HEX BOLT, 1/4 - 20 X 7
40	F286705		1	GEAR SHIFT ROD LOWER
41	F1976		1	SOCKET HD SCREW W/LOCKWASHER, 10 - 24 1/2
42	F286615		1	GEAR SHIFT ROD UPPER
43	F2030		4	HEX HD SCREW, 1/4 - 20 X 1-1/4
44	FA510914		1	SEAL, INLET WATER LINE <b>W/LITERATURE</b>
45	FA504060		1	WATER PUMP BODY <b>W/ILLUS. 38</b>
46	F436065-2		1	WATER PUMP IMPELLER
47	F341562		1	WATER PUMP BACK PLATE

# FUEL TANK AND LINE





## FUEL TANK AND LINE

REF. NO.	PART NO.	SYM.	QTY.	DESCRIPTION
1	F17816		1	SEAL, FUEL LINE COUPLER
2	F17815		1	SEAL, FUEL LINE COUPLER
3	F197787-3		1	FUEL LINE COUPLER
4	F298788		4	FERRULE
5	FA84754-1		1	FUEL LINE, SHORT W/ILLUS. 4
6	89396A38		1	PRIME BULB
7	32-817738A1		1	FUEL LINE, LONG ORIGINAL FORCE P/N A197752-1
8	F487755		1	FUEL TANK ADAPTER
9	F5H026-1		1	FUEL TANK W/ILLUS. 8 AND 10
10	F409251-1		1	GAUGE CAP
-	<b>FS409752</b>		1	<b>FUEL LINE COMPLETE (NOT SHOWN). INCLUDES ALL ITEMS MARKED WITH AN ASTERISK (*)</b>
-	<b>FC409398</b>		1	<b>DECAL TOTE TANK - CANADA (NOT SHOWN)</b>

## SPECIAL TOOLS - TUNE-UP

REF. NO.	PART NO.	SYM.	QTY.	DESCRIPTION
-	FT2989		0	FLYWHEEL WEDGE TO REMOVE FLYWHEEL.
-	FT2909		0	KNOCK-OFF NUT TO REMOVE FLYWHEEL.
-	FT8930-1		0	FEELER GAUGE TO ADJUST BREAKER POINTS.

## SPECIAL TOOLS - MANUAL STARTER

REF. NO.	PART NO.	SYM.	QTY.	DESCRIPTION
-	FT2985		0	STARTER REWIND KEY TO REWIND STARTER SPRING.

## SPECIAL TOOLS - POWER HEAD

REF. NO.	PART NO.	SYM.	QTY.	DESCRIPTION
-	FT2998		0	TORQUE WRENCH (0 - 100 LBS./FT.) TO PROPERLY SECURE FASTENERS.
-	FT2999		0	TORQUE WRENCH (0 - 600 LBS./IN.) TO PROPERLY SECURE FASTENERS.
-	FT2991		0	CARBON BRUSH TO REMOVE CARBON FROM INSIDE OF POWER HEAD.
-	FT8900		0	HOSE CLAMP PLIERS TO REMOVE AND INSTALL FUEL HOSE CLAMPS.
-	FT11202		0	SEAL INSTALLER TO INSTALL CRANKSHAFT SEALS.
-	FT3012		0	SEAL INSTALLER TO INSTALL UPPER CRANKSHAFT BEARING CAGE SEAL.
-	FT2908		0	SEAL SLEEVE TO INSTALL UPPER CRANKSHAFT BEARING CAGE SEAL.
-	FT8929		0	ADAPTER AND HEX BIT TO TORQUE CONNECTING ROD SCREWS.
-	FT1749		0	SNAP RING PLIERS TO REMOVE AND INSTALL PISTON PIN RETAINING RINGS.
-	FT2997		0	RING COMPRESSOR TO INSTALL PISTONS.
-	FT8926		0	RING EXPANDER TO INSTALL PISTON RINGS.
-	FT8993		0	TORQUE WRENCH ADAPTER TO TORQUE LOWER CYLINDER HEAD BOLTS.

## SPECIAL TOOLS - LOWER UNIT

REF. NO.	PART NO.	SYM.	QTY.	DESCRIPTION
-	FT8948-1		0	PULLER TO REMOVE PROPELLER SHAFT BEARING CAGE.
-	FT8957		0	SEAL INSTALLER TO INSTALL SHIFT ROD SEAL.
-	FT2907		0	SEAL INSTALLER TO INSTALL DRIVESHAFT SEAL IN GEAR HOUSING UPPER, PROPELLER SHAFT SEAL AND WATER PUMP SEAL.

## SPECIAL TOOLS - TEST EQUIPMENT

REF. NO.	PART NO.	SYM.	QTY.	DESCRIPTION
-	FT2938-1		0	BATTERY POWERED TEST LIGHT TO TEST FOR CONTINUITY IN WIRES.
-	FT8952		0	TEST WHEEL TO TEST MOTOR IN TEST TANK.
-	FT8950		0	LEAKAGE TESTER TO TEST GEAR HOUSING SEALS FOR LEAKS.
-	FT2951		0	CIRCUIT TRACER TO TEST 12 VOLT CIRCUITS FOR CONTINUITY.

## SPECIAL TOOLS - LUBRICANTS AND SEALANTS

REF. NO.	PART NO.	SYM.	QTY.	DESCRIPTION
-	FT2961		0	LUBRICANT - RYKON GREASE #2EP
-	FT2987-1		0	LUBRICANT - ANTI-SEIZE
-	FT8969		0	LUBRICANT - 7 OZ. 2 LSI LUBRICANT
-	FT8983		0	SEALANT - RTV
-	FT8936-1		0	SEALANT - 2 CC LOCTITE RETAINING COMPOUND #75
-	FT2962-1		0	SEALANT - 50 CC LOCTITE H, NON-HARDENING GRADE
-	FT2963-2		0	SEALANT - 2 OZ. LOCTITE D. HARDENING GRADE
-	FT8935		0	SEALANT PRIMER - 6 OZ

# ACCESSORIES

REF. NO.	PART NO.	SYM.	QTY.	DESCRIPTION
-	FK1019-1		0	5" LONG LEG CONVERSION KIT CONVERTS 15" STANDARD SHAFT MODEL TO 20" LONG SHAFT MODEL.
-	F5H057		0	5" LONG LEG CONVERSION KIT CONVERTS 15" STANDARD SHAFT OR 20" LONG SHAFT MODEL TO 30" LONG SHAFT MODEL.
-	F5H062		0	WATER PUMP KIT HEAVY DUTY WATER PUMP RECOMMENDED FOR CONTINUED OPERATION IN SANDY OR SALT WATER
-	F5H088		0	REMOTE CONTROL CONVERSION KIT PERMITS REMOTE CONTROL OF THROTTLE AND GEAR SHIFT FROM FRONT OF BOAT.
-	F5H025		0	ANTI-CORROSION ANODE PROTECTS ENGINE FROM ELECTROLYSIS CORROSION - MOUNTS ON CAVITATION PLATE
-	F5H130		0	SYNCHRO-DRIVE CONTROL BOX (SINGLE LEVER) PERMITS REMOTE CONTROL OF THROTTLE AND GEAR SHIFT FROM STARBOARD SIDE OF BOAT.
-	F5H131		0	PORT SIDE DECAL KIT CONVERTS 5H130 CONTROL BOX TO PORT SIDE MOUNTING.
-	F866		0	DUO-DRIVE CONTROL BOX (TWIN LEVER) PERMITS REMOTE CONTROL OF THROTTLE AND GEAR SHIFT. MAY BE MOUNTED ON PORT OR STARBOARD SIDE OF THE BOAT
-	F137		0	STEERING CONNECTOR WIRE FORM WITH LATCH.
-	167		0	IGNITION CUT-OFF KIT PERMITS STOPPING OF ENGINE FROM OPERATOR'S SEAT.
-	F195/___		0	REMOTE CONTROL CABLES CONNECTS REMOTE CONTROL BOX TO THROTTLE AND GEAR SHIFT ON MOTOR. AVAILABLE IN 6 THROUGH 40 FOOT LENGTHS.
-	F5H040		0	STEEL, 12 GALLON FUEL TANK AUXILIARY TANK.
-	F5H027		0	STEEL, 6 GALLON FUEL TANK AUXILIARY TANK.
-	F5H029		0	FUEL TANK ANCHOR SECURES TOTE TANK TO BOAT FLOOR.
-	F476		0	FUEL LINE ADAPTION KIT ADAPTS MODEL 5H027 TANK FOR DISCONNECT AT TANK.
-	F5H054		0	REMOTE STEERING BRACKET MOUNTS IN PLACE OF STEERING HANDLE.
-	F5H134		0	BOAT WHITE LACQUER ENGINE TOUCH-UP PAINT IN 12-3/4 OZ. SPRAY BOMBS (6 CANS PER CASE).
-	F596		0	CHRYSLER OUTBOARD OIL SEE BLOCK COMMENT 1.
-	F597		0	CHRYSLER OUTBOARD GEAR LUBE SEE BLOCK COMMENT 2.
-	F5H059		0	CHRYSLER OUTBOARD MULTI-PURPOSE GREASE LUBRICATES BEARINGS AND OTHER MOVING PARTS. AVAILABLE IN 8 OZ. TUBES AND 12 TUBE CASES.
-	F5H060		0	CHRYSLER OUTBOARD GREASE GUN



# PARTS INDEX

Part Number	Description	Pg.	Ref. No.	Part Number	Description	Pg.	Ref. No.
167	IGNITION CUT-OFF KIT . . . .	46	-	F12141	HIGH TENSION LEAD		
817751A3	STEERING HANDLE				SLEEVE . . . . .	7	21
	BRACKET . . . . .	29	17	F12146	COIL WEDGE SPRING . . . .	7	17
817757A4	PLATE, FRONT . . . . .	3	24	F12153-1	BREAKER POINT SET . . . .	7	6
817758A1	BRACKET, COVER LATCH . . .	5	38	F12170	CONDENSER SCREW		
817761A2	CLAMP SCREW . . . . .	31	74		W/LOCKWASHER . . . . .	7	7
817938A1	RETAINER, STARTER ROPE	9	23	F12170	CONTACT SCREW		
817971A3	LEVER, MAGNETO				W/LOCKWASHER . . . . .	7	4
	CONTROL . . . . .	25	33	F12181-1	CONDENSER . . . . .	7	8
89396A38	PRIME BULB . . . . .	39	6	F12186-1	PRIMARY TERMINAL WIRE . .	7	24
A286229-1	LINER, CONNECTING ROD			F12343	STATOR PLATE		
	(2 PER SET) . . . . .	27	64		W/LAMINATIONS . . . . .	7	9
A510711-1	PLATE, FRONT . . . . .	3	-	F12360	CAM WIPER FELT . . . . .	7	5
F10058	BOWL, FUEL . . . . .	21	44	F127910-2	BALL BEARING . . . . .	35	32
F10063	FLOAT ASSEMBLY . . . . .	19	42	F1286	PAN HD SCREW, 4 - 40 X		
F10064	SHAFT, FLOAT ASSEMBLY . .	19	40		3/16 . . . . .	11	5
F10068	GASKET, BODY TO BOWL . .	21	43	F1286	PAN HD SCREW, 4 - 40 X		
F10071	SCREW, CHOKE AND				3/16 (152H3J, 152B3J) . . .	19	8
	THROTTLE VALVES . . . .	19	29	F1303	PAN HD SCREW, 8 - 32 X 3/4	15	24
F10072	SPRING, CHOKE STOP . . . .	19	32	F1335	FILL HD SCREW, 5/16 - 18 X		
F10073	SPRING, IDLE NEEDLE . . . .	19	36		1-1/4 . . . . .	25	38
F10075	SPRING, THROTTLE			F1337	HEX NUT, 6 - 32 . . . . .	15	5
	RETURN . . . . .	19	30	F1339	HEX NUT, 10-24 . . . . .	25	51
F10077	NEEDLE, IDLE . . . . .	19	35	F1341	HEX NUT, 1/4 - 20 . . . . .	31	51
F10084	SPRING, FLOAT SUPPORT . .	19	41	F137	STEERING CONNECTOR . . .	46	-
F10088	NOZZLE . . . . .	19	38	F141118	SEAL, CRANKSHAFT		
F10090	GASKET, BOWL RETAINER	21	45		LOWER . . . . .	23	23
F10110	SHAFT ASSEMBLY,			F1475	FILL HD SCREW, 10 - 24 X		
	THROTTLE . . . . .	19	31		1/2 . . . . .	3	8
F10111	SHAFT ASSEMBLY, CHOKE	19	33	F1490	HEX NUT, 1/4 - 20 . . . . .	19	26
F10116	PLUG KIT (NOT SHOWN) . .	21	-	F1490	HEX NUT, 1/4 - 20 . . . . .	35	30
F10120	KIT, VALVE SEAT . . . . .	19	39	F1493	FILL HD SCREW, 1/4 - 20 X		
F10121	VALVE, THROTTLE . . . . .	19	28		5/8 . . . . .	35	5
F10122	VALVE, CHOKE . . . . .	19	37	F15127	CAP ASSEMBLY,		
F10126	JET ASSEMBLY - MAIN FUEL				COMMUTATOR END, . . . .	13	10
	(.0625) . . . . .	21	46	F15129	NUT W/LOCKWASHER . . . .	13	15
F1069	FILL HD SCREW, 10 - 24 X 1-			F1513	HEX NUT, 10 - 32 . . . . .	15	42
	1/16 . . . . .	11	14	F15130	NUT . . . . .	13	16
F1069	FILL HD SCREW, 10 - 24 X 1-			F15132	WASHER, FIBER . . . . .	13	18
	1/16 (152H3J, 152B3J) . . .	19	5	F15133	WASHER . . . . .	13	17
F1075	FILL HD SCREW, 10 - 24 X			F15134	ARMATURE . . . . .	13	8
	1/2 . . . . .	7	12	F15135	CAP ASSEMBLY, DRIVE END	13	5
F1075	FILL HD SCREW, 10 - 24 X			F15136	HOUSING ASSEMBLY . . . .	13	9
	1/2 . . . . .	15	36	F15137	WASHER . . . . .	13	6
F1087	FILL HD SCREW, 10 - 24 X			F15138	SPRING, BRUSH . . . . .	13	12
	13/16 . . . . .	15	32	F15139	PINION ASSEMBLY . . . . .	13	4
F1089	FILL HD SCREW, 10 - 24 X			F15140	SPRING . . . . .	13	3
	9/16 . . . . .	9	1	F15141	PINION STOP . . . . .	13	2
F1090	FILL HD SCREW			F15143	DISC . . . . .	13	11
	W/LOCKWASHER, 10 - 24			F15144	SCREW, THRU BOLT . . . .	13	14
	X 9/16 . . . . .	7	18	F15145	GASKET . . . . .	13	7
F1107	FILL HD SCREW, 1/4 - 20 X			F15146	WASHER . . . . .	13	13
	3/4 . . . . .	25	37	F1556	FILL HD M. SCREW		
F1111	FILL HD SCREW, 1/4 - 20 X				W/SPRING LOCKWASHER,		
	7/8 . . . . .	25	48		10 - 24 X 3/8 . . . . .	15	18
F12088	GROMMET . . . . .	7	20	F1577	FILL HD SCREW, 1/4 - 20 X		
F12091	LEAD WIRE MARKET TOP				3/4 . . . . .	11	3
	(NOT SHOWN) . . . . .	7	-	F1577	FILL HD SCREW, 1/4 - 20 X		
F12114	COIL GROUND TERMINAL				3/4 . . . . .	15	9
	SCREW . . . . .	7	16	F1608	SQUARE NUT, 1/4 - 20 . . .	29	38

# PARTS INDEX

Part Number	Description	Pg.	Ref. No.	Part Number	Description	Pg.	Ref. No.
F1645	ROUND HD SCREW, 6 - 32 X 1/4	15	26	F18906	CARBURETOR GASKET	19	25
F1646	HEX SOCKET HD CAP SCREW, 3/8 - 16 X 2 - 1/4	15	8	F18906	GASKET, CARBURETOR	25	-
F1648	PAN HD SCREW, 10 - 24 X 3/4	15	13	F1892	STOP NUT	13	1
F1666	BOWED SPRING WASHER	31	81	F1907	WASHER	29	39
F1704	INTERNAL TOOTH LOCKWASHER	15	4	F1922	HEX CAP SCREW, 1/4 - 20	29	26
F174017	PIN, PISTON	23	16	F1922	HEX HD SCREW, 1/4 - 20 X 5/8	23	5
F1753	FASTENER	3	4	F1922	HEX HD SCREW, 1/4 - 20 X 5/8 15 H.P.MANUAL START	23	5A
F1755	RD HD SCREW W/LOCKWASHER, 6 - 32 X 5/16	19	14	F195/_	REMOTE CONTROL CABLES	46	-
F17815	SEAL, FUEL LINE COUPLER	39	2	F197319	BEARING, CHOKE ROD	3	29
F17816	SEAL, FUEL LINE COUPLER	39	1	F1975	SPRING LOCKWASHER	15	2
F1794	SPRING PIN	29	34	F1976	SOCKET HD SCREW W/LOCKWASHER, 10 - 24 1/2	37	41
F1794	SPRING PIN	31	57	F197767-1	BUSHING, FUEL LINE	3	23
F1799	TRUSS HD SCREW, 5/16 - 18 X 5/8	29	16	F197787-3	FUEL LINE COUPLER	39	3
F1800	HEX BOLT, 1/4 - 20 X 7	37	39	F1978	SPRING PIN	29	10
F1802	FILL HD SCREW, 1/4 - 20 X 9/16	15	20	F197813	BEARING	29	31
F1803	STOP NUT, 5/16 - 24	25	30	F197813	BEARING	33	93
F1804	STOP NUT	9	9	F197813	BEARING, INTERLOCK LEVER	25	53
F1804	STOP NUT, 10 - 32	5	39	F197813	BEARING, STEERING HANDLE STOP	29	18
F1804	STOP, NUT 10-32 (152H3J, 152B3J)	5	47	F1997	LOCK NUT, 8 - 32	21	51
F1805	SPRING PIN	29	23	F1999	HEX CAP SCREW, 1/4 - 20 X 7/8	15	44
F1806	GROOVE PIN	31	63	F2008	HEX HD SCREW, 1/4 - 20 X 7/8	19	23
F1807	GROOVE PIN	29	22	F2008	HEX HD SCREW, 1/4 - 20 X 7/8	23	28
F1809	HEX NUT	15	29	F2008	HEX HD. M.S. 1/4 - 20X 7/8 (FOR ILLUSTRATION 51)	17	52
F1809	HEX NUT, 1/2 - 20	7	1	F2014	PLAIN WASHER	31	84
F18160-2	REED FUEL PUMP (152H3J, 152B3J)	19	10	F2030	HEX HD SCREW, 1/4 - 20 X 1-1/4	37	43
F18160-2	REED, FUEL PUMP	11	7	F2030	SCREW, 1/4 - 20 X 1-1/4	35	-
F1820	FILL HD SCREW, 1/4 - 20 X 1 3/8	29	41	F2040	HEX WASHER HD M. SCREW, 1/4 - 20 X 5/8	25	61
F1820	FILL HD SCREW, 1/4 - 20 X 1-3/8	25	35	F2042	PLAIN WASHER	9	8
F1823	HEX CAP SCREW, 5/16 - 18 X 1	23	13	F2042	PLAIN WASHER	21	50
F1829	FILL HD M. SCREW, 10 - 24 X 7/8	15	1	F213274	GREASE FITTING	29	14
F1829	FILL HD SCREW, 10 - 24 X 7/8	33	91	F215795	SEAL	33	85
F183813	BEARING, MAGNETO CONTROL LEVER	25	34	F217002	MAGNETO BREAKER CAM	7	13
F1845	TY-RAP	15	25	F24074	CLAMP SCREW FOOT	31	70
F184579	SEAL (152H3J, 152B3J)	3	35	F24748-2	GASKET, FUEL PUMP	11	9
F1846	COTTER PIN	35	12	F24748-2	GASKET, FUEL PUMP (152H3J, 152B3J)	19	7
F1859	HEX SOCKET HEADLESS SET SCREW	29	6	F2706772	HOSE CLAMP	11	12
F1859	HEX SOCKET HEADLESS SET SCREW, 1/4 - 28 3/16	23	-	F2706772	HOSE CLAMP	19	1
F1864	HEX HD SCREW, 1/4 - 20 X 3/4	9	14	F2752253	HOSE, FUEL PUMP TO BUSHING	11	15
F1875	SPRING PIN, STARTER BRACKET	9	20	F2788004	STUD, CARBURETOR	19	22
				F28004	STUD, INTERLOCK LEVER	23	10
				F286008	STUD, GEAR HOUSING REAR	37	34
				F286011	WASHER, SWIVEL BRACKET	29	35
				F286019	KINGPIN	31	52

# PARTS INDEX

Part Number	Description	Pg.	Ref. No.	Part Number	Description	Pg.	Ref. No.
F286079-1	STEERING HANDLE . . . . .	33	87	F286518	HEAD, CYLINDER . . . . .	23	3
F286080	SCREW, STEERING HANDLE PIVOT . . . . .	29	21	F286529-3	GASKET, CYLINDER HEAD .	23	4
F286114	LOCK BAR HANDLE . . . . .	31	65	F286529-3	GASKET, CYLINDER HEAD .	25	-
F286132	HANDLE, STARTER ROPE .	9	22	F286539	BUMPER . . . . .	29	12
F286134	STUD . . . . .	9	5	F286544-1	SPRING, TILT STOP . . . . .	31	78
F286134	STUD, GEAR SHIFT LEVER	3	34	F286547	KNOB, CHOKE . . . . .	3	30
F286134	STUD, STARTER INTERLOCK LINK (152H3J, 152B3J) . . . . .	5	46	F286555	GASKET, GEAR HOUSING .	37	33
F286151	PLATE, EXHAUST . . . . .	23	25	F286571	ROLLER SET, MAIN BEARING (26 PER SET) ..	25	42
F286152	COVER, EXHAUST . . . . .	23	26	F286573-1	CLAMP, STEERING FRICTION . . . . .	29	40
F286154	GASKET, EXHAUST . . . . .	25	-	F286585-1	DECAL, TILT RELEASE . . . .	31	60
F286154	GASKET, EXHAUST COVER	23	24	F286611-1	ROD, GEAR SHIFT . . . . .	5	41
F286159-1	GASKET, REED PLATE . . . .	19	18	F286614	HANDLE, GEAR SHIFT . . . .	3	21
F286159-1	GASKET, REED PLATE . . . .	25	-	F286615	GEAR SHIFT ROD UPPER ..	37	42
F286169	BEARING, SWIVEL BRACKET . . . . .	29	36	F286634-1	SCREW, CONNECTING ROD	25	40
F286169	BEARING, SWIVEL BRACKET . . . . .	31	53	F286647	CARRYING HANDLE . . . . .	31	76
F286220	WASHER, STEERING HANDLE . . . . .	33	92	F286685	CONNECTOR, GEAR SHIFT ROD . . . . .	3	33
F286222	COVER, TRANSFER PORT, 15 H.P. MANUAL START .	23	6	F286705	GEAR SHIFT ROD LOWER .	37	40
F286223	GASKET, TRANSFER PORT	25	-	F286710	ARBOR, STARTER SPRING	9	12
F286223	GASKET, TRANSFER PORT COVER . . . . .	23	7	F286721	CLUTCH, SHIFT CAM . . . . .	35	27
F286224	INSERT, STEERING HANDLE PIVOT . . . . .	33	94	F286728	CLUTCH SHIFT PIN . . . . .	35	19
F286244	WATER LINE . . . . .	31	47	F286737-1	RETAINER, STARTER REWIND SPRING . . . . .	9	16
F286277	GASKET, CRANKSHAFT BEARING CAGE . . . . .	25	-	F286772-1	HOSE CLAMP . . . . .	25	56
F286277	GASKET, CRANKSHAFT BEARING CAGE . . . . .	25	45	F286777	CAM, COVER LATCH . . . . .	3	27
F286279-2	GASKET, CYLINDER MOUNTING . . . . .	25	-	F286818	BEARING . . . . .	33	95
F286279-2	GASKET, CYLINDER MOUNTING . . . . .	25	29	F286827	REVERSE LOCK RELEASE LEVER . . . . .	31	58
F286282	WASHER . . . . .	25	31	F286868	SPRING, STEERING HANDLE STOP . . . . .	29	20
F286286-1	WASHER, STERN BRACKET	31	56	F286871	PIN, GEAR SHIFT LEVER ..	3	16
F286300	SPRING, REVERSE LOCK ..	31	55	F286876	LEVER, GEAR SHIFT . . . . .	3	14
F286346	SHOCK MOUNT LOWER . . .	31	45	F286895	SPRING CAM DETENT . . . .	35	28
F286347	SHOCK MOUNT, UPPER . . .	29	27	F286901	BEARING, RADIAL, PROPELLER SHAFT . . . .	35	21
F286349	REVERSE LOCK . . . . .	31	62	F286903	RACE, PROPELLER SHAFT BEARING . . . . .	35	22
F286364	LEVER, REVERSE LOCK . . .	29	33	F286914	SLEEVE WATER LINE . . . .	31	46
F286414	SPRING, LEG WATER BRACKET . . . . .	29	28	F286930	END, STARTER SPRING . . .	9	17
F286422-1	TILT LOCK PIVOT . . . . .	31	44	F286956	BRACKET, SHOCK MOUNT LOWER . . . . .	31	50
F286422-1	TILT LOCK PIVOT . . . . .	31	82	F286989-2	SEAL, SUPPORT PLATE . . .	3	19
F286433	BRACKET SHALLOW WATER DRIVE . . . . .	31	64	F289664	WIRE, STATOR GROUND ..	7	11
F286440	STUD, MAGNETO CONTROL LEVER . . . . .	25	39	F298788	FERRULE . . . . .	39	4
F286445	LINK, MAGNETO SHAFT . . .	25	32	F2A24757	FUEL PUMP REED PLATE ..	11	8
F286451	SPACER, TILT LOCK . . . . .	31	43	F2A24757	FUEL PUMP REED PLATE ..	19	11
F286451	SPACER, TILT LOCK . . . . .	31	79	F2A286016	ROD, CONNECTING . . . . .	23	17
F286461	SPRING, LOCK BAR HANDLE . . . . .	31	66	F2A424167	MANIFOLD . . . . .	19	21
F286490	STEERING HANDLE STOP .	29	19	F2A459239	STARTER SPOOL W/SHAFT	9	18
F286509	LINK, THROTTLE CAM . . . .	25	36	F2A472018	CRANKSHAFT . . . . .	25	43
				F2A477133	MOTOR LEG . . . . .	29	37
				F2C618712	COVER, ENGINE COMPLETE. . . . .	3	-
				F302097	FLYWHEEL . . . . .	7	3
				F307317-1	CLIP, TERMINAL BLOCK GROUND . . . . .	15	14
				F307818	BEARING . . . . .	3	13
				F307818	BEARING . . . . .	29	13

# PARTS INDEX

Part Number	Description	Pg.	Ref. No.	Part Number	Description	Pg.	Ref. No.
F31160-1	REED	19	16	F487727	BALL, INTERLOCK DETENT	9	10
F31410	RETAINING RING, PISTON PIN	23	15	F487755	FUEL TANK ADAPTER	39	8
F333316	ROLLER SHAFT	5	43	F487781-3	STARTER INTERLOCK	9	7
F333316	SHAFT, THROTTLE CAM ROLLER	21	48	F487816	BEARING, STEERING HANDLE	33	89
F338618-1	SEAL, GEAR SHIFT ROD LOWER	37	37	F487895	SPRING, INTERLOCK DETENT	9	11
F341384	RETAINER, CHOKE RED	19	34	F492095	STATOR MAGNETO.	7	-
F341562	PLATE, WATER PUMP BACK	35	-	F492263	LINK, STARTER INTERLOCK (152H3J, 152B3J)	5	36
F341562	WATER PUMP BACK PLATE	37	47	F492417	SHAFT, GEAR SHIFT HANDLE	3	22
F341693	WEDGE, STEERING HANDLE	33	88	F492619	LEVER, GEAR SHIFT SHAFT	3	32
F343014	BEARING, CRANKSHAFT LOWER MAIN	23	22	F493683	WIRE	15	40
F343128	DRIVESHAFT	35	3	F50109	GEAR HOUSING PLUG	35	24
F343226-1	PLUG	3	26	F510029	STATOR, TRIGGER	15	34
F346118	SEAL, PROPELLER SHAFT	35	6	F510095	STATOR, ALTERNATOR	15	33
F346146	SEAL, CRANKSHAFT UPPER	25	47	F510165	SCREW, TRANSFER PORT COVER 15 H.P. C-D	23	-
F392756	PACKING, SUPPORT PLATE	3	17	F510222	TRANSFER PORT COVER, 15 H.P. C-D ALTERNATOR	23	-
F40253-1	FUEL LINE (152H3J, 152B3J)	19	2	F510288	NUT, SHORTING SWITCH	15	16
F40425	STARTER PINION PIN	9	13	F510301	C-D MODULE	17	46
F404908	GROUND WIRE	15	35	F510374	DECAL, CIRCUIT BREAKER	15	28
F409232	STARTER ROPE	9	21	F510427	BRACKET, STARTER SUPPORT	11	2
F409251-1	GAUGE CAP	39	10	F510446	CLAMP, BATTERY CABLE	15	38
F409719	CLUTCH SPRING	35	18	F510449	NEUTRAL INTERLOCK SWITCH	17	47
F424075	HANDLE, CLAMP SCREW	31	73	F510460	CIRCUIT BREAKER	15	27
F424161	REED STOP	19	15	F510475	IGNITION COIL	15	3
F424168-1	GASKET, MANIFOLD	19	19	F510531	INTERLOCK ROD 15 H.P. C-D ALTERNATOR	25	52
F424168-1	GASKET, MANIFOLD	25	-	F510540	BRACKET, STARTER SWITCH	15	21
F429472	GASKET, CYLINDER DRAIN COVER	23	9	F510551-1	BRACKET, INTERLOCK SWITCH	17	51
F429472	GASKET, CYLINDER DRAIN COVER	25	-	F510595	INSULATOR, CIRCUIT BREAKER	15	41
F429541	TILT LOCK	31	80	F510661	PAD, STARTER MOTOR	5	49
F429688	SHAFT, STEERING HANDLE	29	2	F510669	NUT, INTERLOCK SWITCH AND STARTER SWITCH	15	22
F429811	SCREEN	25	57	F510683	WIRE, RECTIFIER-CIRCUIT BREAKER	17	48
F430732	HEX HD SCREW, 1/4 - 20 X 1	37	35	F510746-2	FUEL PUMP COVER	11	10
F431838	MAGNETO CONTROL SHAFT	29	11	F510811	FILTER, FUEL PUMP	11	16
F436065-1	IMPELLER	35	-	F510841	WIRE, STARTER INTERLOCK SWITCH	15	12
F436065-2	WATER PUMP IMPELLER	37	46	F510896	BATTERY CABLE	15	39
F436280	NUT, SHORTING SWITCH	7	25	F510908	WIRE, GROUND	15	15
F455118	SEAL, FUEL PUMP BRACKET	11	1	F510914	SEAL, WATER LINE	35	-
F455305	SEAL, PROP SHAFT BEARING CAGE	35	8	F510918	STARTER SWITCH	15	19
F456098	PROPELLER SHAFT	35	15	F510955	STARTER MOTOR COMPLETE	13	-
F456717	THRUST WATER	35	11	F510977-1	INTERLOCK LEVER 15 H.P. C-D ALTERNATOR	25	54
F458498	KEY, FLYWHEEL	17	49	F525286	WASHER	31	59
F458498	MAGNETO KEY	7	14	F536813	BEARING, REVERSE LOCK INTERMEDIATE LEVER	31	54
F458677	INSERT, CHOKE KNOB	3	31				
F458695	SLEEVE	29	1				
F461342	SEAL, DRIVESHAFT SPLINE	25	58				
F472015-2	PISTONS	23	18				
F476	FUEL LINE ADAPTION KIT	46	-				
F487424-1	STARTER PINION SPRING	9	3				
F487427-1	BRACKET, STARTER UPPER	9	4				
F487435	PULLEY, STARTER ROPE (152H3J, 152B3J)	19	24				
F487660-1	EXHAUST TUBE	23	27				
F487674	GEAR, STARTER PINION	9	2				

# PARTS INDEX

Part Number	Description	Pg.	Ref. No.	Part Number	Description	Pg.	Ref. No.
F53795-1	SEAL, STEERING HANDLE GRIP DAMPENER (LARGE)	33	86	F84026	SWIVEL, INTERLOCK ROD BEARING	25	50
F596	CHRYSLER OUTBOARD OIL	46	-	F84035-2	BEARING, INTERLOCK ROD	25	49
F597	CHRYSLER OUTBOARD GEAR LUBE	46	-	F8537	SPRING PIN	31	71
F5H025	ANTI-CORROSION ANODE	46	-	F8538	SPRING PIN	29	32
F5H026-1	FUEL TANK	39	9	F8538	SPRING PIN	33	96
F5H027	STEEL, 6 GALLON FUEL TANK	46	-	F8540	SPRING PIN	3	20
F5H029	FUEL TANK ANCHOR	46	-	F8540	SPRING PIN	31	67
F5H040	STEEL, 12 GALLON FUEL TANK	46	-	F8542	SPRING PIN	3	15
F5H054	REMOTE STEERING BRACKET	46	-	F8548	SPRING PIN	29	4
F5H057	5" LONG LEG CONVERSION KIT	46	-	F8553	SPRING PIN	35	26
F5H059	CHRYSLER OUTBOARD MULTI-PURPOSE GREASE	46	-	F8554	SPRING PIN	31	72
F5H060	CHRYSLER OUTBOARD GREASE GUN	46	-	F8559	DOWEL PIN	23	14
F5H062	WATER PUMP KIT	46	-	F8561	BEARING	29	7
F5H088	REMOTE CONTROL CONVERSION KIT	46	-	F8564	SPRING PIN	35	16
F5H130	SYNCHRO-DRIVE CONTROL BOX (SINGLE LEVER)	46	-	F85735-1	SEAL	3	3
F5H131	PORT SIDE DECAL KIT	46	-	F866	DUO-DRIVE CONTROL BOX (TWIN LEVER)	46	-
F5H134	BOAT WHITE LACQUER	46	-	F901307-2	SEAL, DRIVESHAFT AND WATER PUMP	37	38
F610711	PLATE, ENGINE COVER	3	2	F901307-2	SEAL, MOTOR LEG	29	29
F617037	STERN BRACKET PIVOT BOLT	31	83	F901456-1	EMERGENCY STARTER COLLAR	7	2
F617192	THROTTLE CAM	15	37	F901456-1	EMERGENCY STARTER COLLAR	15	30
F617192	THROTTLE CAM PLATE	7	10	F901563	PIN, WATER PUMP IMPELLER DRIVE	35	-
F617503	ROD, CHOKE	5	44	F901563	WATER PUMP IMPELLER DRIVE PIN	35	2
F618061	CARBURETOR COMPLETE (LMB-229)	19	27	F901746-2	FUEL PUMP COVER (152H3J, 152B3J)	19	6
F66480	STUD CLAMP SCREW	31	75	F901811	FUEL PUMP FILTER (152H3J, 152B3J)	19	4
F7006	STOP NUT, 5/16 - 18	3	28	F901938-1	SCREW, CYLINDER HEAD	23	1
F7008	STOP NUT, 1/4 - 20	25	55	F92759	ROLLER	5	42
F7011	ELASTIC STOP NUT, 10 - 24	3	10	F92759	ROLLER, THROTTLE CAM	21	49
F7026	STOP NUT, 3/8 - 16	31	69	F94840	GROMMET, BATTERY CABLE (158H3D, (158B3D)	5	48
F73082	RING, MAGNETO STATOR	25	44	F98273	STUD, GEAR SHIFT ROD CONNECTOR	3	11
F8003	PLAIN WASHER	11	6	FA12370	COIL W/LEAD WIRE AND WEDGE SPRING	7	22
F8003	PLAIN WASHER (152H3J, 152B3J)	19	9	FA1844	HEX BOLT, 1/4 - 20 X 2-3/8	31	48
F8011	PLAIN WASHER	9	6	FA24754-1	FUEL LINE	19	3
F8011	PLAIN WASHER (152H3J, 152B3J)	5	37	FA286054	GEAR HOUSING LOWER	35	25
F8025	PLAIN WASHER	23	2	FA286155	MAIN BEARING LINER SET (2 PER SET)	25	41
F8048	BOWED SPRING WASHER	5	40	FA286266	GEAR, BEVEL PINION	35	29
F8058	INTERNAL TOOTH LOCKWASHER	3	12	FA286469	KNOB, COVER LATCH W/SHAFT	3	25
F8058	INTERNAL TOOTH LOCKWASHER	33	90	FA286582	STEERING ARM	29	24
F8060	EXTERNAL TOOTH LOCKWASHER	29	25	FA286970	STARTER REWIND SPRING	9	15
F8077	NYLTITE WASHER	35	23	FA324101	PROPELLER PIN, PACK OF 3	35	10
F8083	SPRING LOCKWASHER	17	45	FA341510	LINK, REVERSE LOCK LEVER	31	61
F8083	SPRING LOCKWASHER	31	49	FA343178	RETAINER	29	8
F8083	SPRING LOCKWASHER	35	31	FA387742	LEVER, REVERSE LOCK INTERMEDIATE ASSY	29	30
				FA424158	REED PLATE	19	17

# PARTS INDEX

Part Number	Description	Pg.	Ref. No.	Part Number	Description	Pg.	Ref. No.
FA429471	COVER, CYLINDER DRAIN	23	8	FK1065	GEAR HOUSING SEAL KIT	35	1
FA456023	BEVEL GEAR FRONT W/BEARING	35	20	FK1066	TUNE UP KIT	7	15
FA456137	GRIP, STEERING HANDLE	29	3	FK1123	SPARKIE W/SPRING	7	19
FA456521	CLUTCH	35	17	FK1123	SPARKIE W/SPRING	15	6
FA456662	BEVEL GEAR REAR W/BEARING	35	9	FK317427	BRACKET, STARTER LOWER	9	19
FA472260	PISTON RING SET (2 PER SET)	23	19	FK436449	SHORTING SWITCH	7	23
FA473010	CYLINDER W/CRANKCASE COVER,	23	12	FK436449	SHORTING SWITCH	15	17
FA492038	PLATE, SUPPORT	3	18	FK650450	RECTIFIER	15	23
FA504060	BODY, WATER PUMP	35	-	FP6430	PROPELLER (ACCESSORY ITEM)	35	14
FA504060	WATER PUMP BODY	37	45	FS409752	FUEL LINE COMPLETE (NOT SHOWN).	39	-
FA510038	PLATE, SUPPORT	3	-	FS617532	STERN BRACKET PORT	31	77
FA510097	FLYWHEEL W/A609853	15	31	FT11202	SEAL INSTALLER	42	-
FA510497	TERMINAL BLOCK	15	11	FT1749	SNAP RING PLIERS	42	-
FA510675	STARTER SUPPORT W/A609853	15	10	FT2907	SEAL INSTALLER	43	-
FA510914	SEAL, INLET WATER LINE	37	44	FT2908	SEAL SLEEVE	42	-
FA517228	ROLLER SET CRANKPIN	23	21	FT2909	KNOCK-OFF NUT	40	-
FA520010	CYLINDER W/CRANKCASE COVER	23	-	FT2938-1	BATTERY POWERED TEST LIGHT	44	-
FA590386	DECAL, - NUMERAL 15	3	6	FT2951	CIRCUIT TRACER	44	-
FA609853	DECAL, WARNING, W/LITERATURE	7	26	FT2961	LUBRICANT - RYKON GREASE #2EP	45	-
FA609853	DECAL, WARNING, W/LITERATURE	17	50	FT2962-1	SEALANT - 50 CC LOCTITE H, NON-HARDENING GRADE	45	-
FA610480	RETAINER, ENGINE COVER	3	9	FT2963-2	SEALANT - 2 OZ. LOCTITE D. HARDENING GRADE	45	-
FA617113	LOCK BAR	31	68	FT2985	STARTER REWIND KEY	41	-
FA617892	DECAL, ENGINE COVER, FRONT	3	1	FT2987-1	LUBRICANT - ANTI-SEIZE	45	-
FA618396	DECAL, ENGINE COVER STARBOARD W/LITERATURE	3	-	FT2989	FLYWHEEL WEDGE	40	-
FA618397	DECAL, ENGINE COVER PORT W/LITERATURE	3	5	FT2991	CARBON BRUSH	42	-
FA621528	DECAL, ENGINE COVER REAR	5	45	FT2997	RING COMPRESSOR	42	-
FA84754-1	FUEL LINE, SHORT	39	5	FT2998	TORQUE WRENCH (0 - 100 LBS./FT.)	42	-
FA901753	HOSE, FUEL PUMP TO CARBURETOR	11	13	FT2999	TORQUE WRENCH (0 - 600 LBS./IN.)	42	-
FC235227	PLUG, SPARK CHAMPION (RL-82), FOR MODELS 152H3J, 152B3J	23	-	FT3012	SEAL INSTALLER	42	-
FC409398	DECAL TOTE TANK - CANADA (NOT SHOWN)	39	-	FT8900	HOSE CLAMP PLIERS	42	-
FC456054	LOWER GEAR HOUSING COMPLETE (NOT SHOWN)	35	-	FT8926	RING EXPANDER	42	-
FC503227	PLUG, SPARK CHAMPION (QL-77-J4), FOR MODELS 158H3D, 158B3D	23	-	FT8929	ADAPTER AND HEX BIT	42	-
FC510398	DECAL, WIRING	15	7	FT8930-1	FEELER GAUGE	40	-
FC520390	DECAL, STARTER - CANADA	13	19	FT8935	SEALANT PRIMER - 6 OZ	45	-
FG1005-2	GASKET SET	25	63	FT8936-1	SEALANT - 2 CC LOCTITE RETAINING COMPOUND #75	45	-
FK10123	REPAIR PARTS KIT.	19	13	FT8948-1	PULLER	43	-
FK10124	GASKET KIT, CARBURETOR	21	47	FT8950	LEAKAGE TESTER	44	-
FK1019-1	5" LONG LEG CONVERSION KIT	46	-	FT8952	TEST WHEEL	44	-
FK1031-1	WATER PUMP KIT.	35	4	FT8957	SEAL INSTALLER	43	-
				FT8969	LUBRICANT - 7 OZ. 2 LSI LUBRICANT	45	-
				FT8983	SEALANT - RTV	45	-
				FT8993	TORQUE WRENCH ADAPTER	42	-
				11-817752A1	PROPELLER NUT	35	13
				22-818103--1	FITTING, FUEL PUMP	11	11
				27-818043A1	FUEL PUMP DIAPHRAGM W/GASKETS	11	4

# PARTS INDEX

Part Number	Description	Pg.	Ref. No.	Part Number	Description	Pg.	Ref. No.
27-818043A1	FUEL PUMP DIAPHRAGM W/GASKETS (152H3J, 152B3J) . . . . .	19	12				
31-817756A2	PROPELLER SHAFT BEARING CAGE . . . . .	35	7				
32-817738A1	FUEL LINE, . . . . .	39	7				
33-82370M	PLUG, SPARK, L-82 . . . . .	23	11				
37-F286894-3	STEERING HANDLE INDICATOR . . . . .	29	5				
43-818009--1	GEAR, MAGNETO CONTROL SHAFT . . . . .	29	15				
43-818009--1	GEAR, STEERING HANDLE SHAFT . . . . .	29	9				
100-FS666712T	COVER, ENGINE . . . . .	3	7				
800-817907A2	SHORT BLOCK (NOT SHOWN) . . . . .	23	-				
800-819091A1	SHORT BLOCK (NOT SHOWN) . . . . .	23	-				
1100-817753A1	CAGE, CRANKSHAFT BEARING . . . . .	25	46				
1400-817750A4	SWIVEL BRACKET . . . . .	29	42				
1600-824916A1	GEAR HOUSING UPPER . . .	37	36				