



PARTS CATALOG

140 H.P.

SERIAL NUMBER

140 (1983)	1408B3E
140 (1983)	1408H3E
140 (1984)	1401C4B
140 (1984)	1401H4B
140 (1984)	1408C4F
140 (1984)	1408C4G
140 (1984)	1408H4G

TABLE OF CONTENTS:

ACCESSORIES	57
CARBURETOR	16
CRANKSHAFT AND PISTON GROUP	30
DISTRIBUTOR	12
ELECTRICAL COMPONENTS	6
ENGINE COVER AND SUPPORT PLATE	2
FUEL PUMP AND REED PLATE	20
FUEL TANK AND LINE	42
GEAR HOUSING	36
MOTOR LEG	32
PARTS INDEX	60
POWER HEAD	24
POWER TRIM UNIT	48
REMOTE CONTROL	44
SPECIAL TOOLS - GEAR HOUSING	54
SPECIAL TOOLS - LUBRICANTS AND SEALANTS	56
SPECIAL TOOLS - POWER HEAD	53
SPECIAL TOOLS - TEST EQUIPMENT	55
SPECIAL TOOLS - TUNE-UP	52
STARTER	10

NOTE: Indented description indicate that these parts are included in preceeding assembly.

AR = As Required

NSS = Not Sold Separate

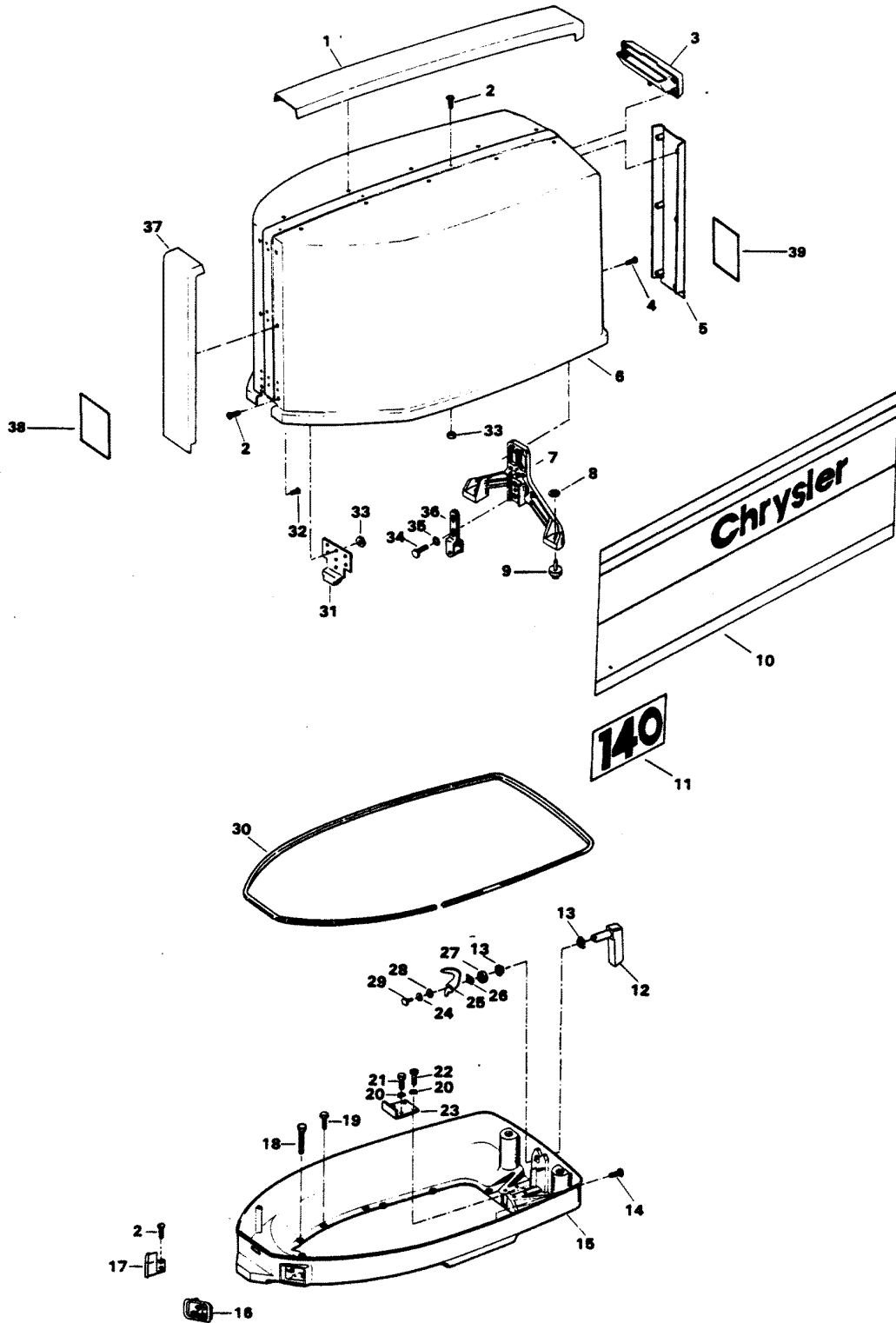
OPT = Optional

NS = Not Shown

THESE PARTS BOOKS/FICHE CARD ARE COPYRIGHTED AND MAY NOT BE DISTRIBUTED OR REPRODUCED IN ANY OTHER FORMAT BY ANYONE OTHER THAN MERCURY MARINE WITHOUT THE PRIOR WRITTEN CONSENT OF MERCURY MARINE.

THIS PAGE INTENTIONALLY LEFT BLANK

ENGINE COVER AND SUPPORT PLATE



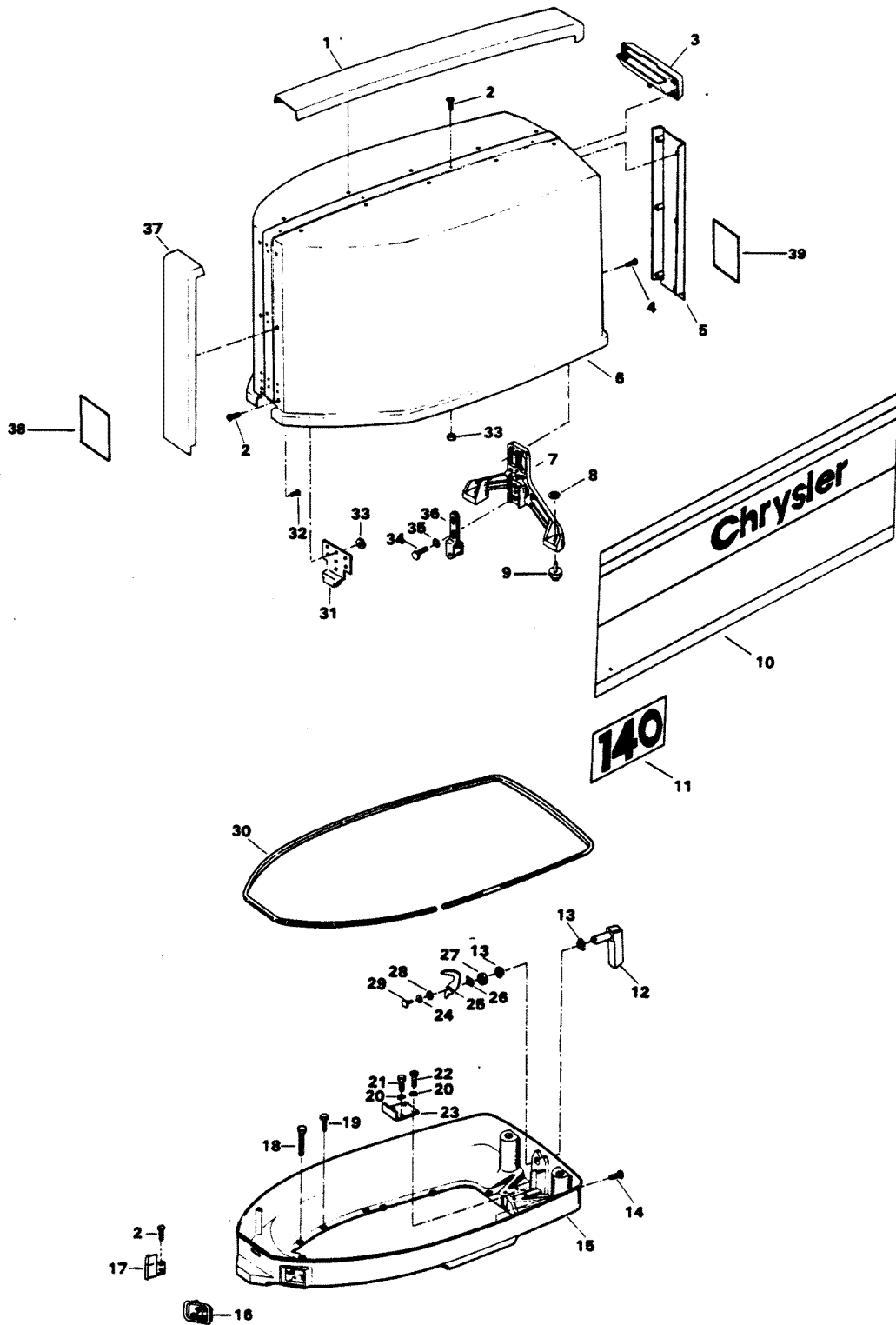
OB 3855

ENGINE COVER AND SUPPORT PLATE

REF. NO.	PART NO.	SYM.	QTY.	DESCRIPTION
1	FA480179		1	TRIM, TOP W/LITERATURE
2	F1733		10	SCREW, PAN HD, 10 - 24 X 9/16
3	FA480269		1	HANDLE, TILT W/LITERATURE
4	F1730		3	SCREW, PAN HD, W/SPRING LOCKWASHER 1/4 - 20 X 5/8
5	FA552180		1	TRIM, REAR W/LITERATURE
6	FA552944		1	COVER, ENGINE W/ILLUS. 2, 31 AND 33
-	F3C624944		1	COVER, ENGINE - COMPLETE INCLUDES ITEMS MARKED WITH AN ASTERISK (*). ORDER NUMERAL SEPARATE
7	F481774		1	BRACKET, ENGINE COVER LATCH
8	F2088		2	FASTENER
9	F481434		2	GUIDE, ENGINE COVER
10	FA624397		1	DECAL, ENGINE COVER - PORT W/LITERATURE
-	FA624396		1	DECAL, ENGINE COVER - STARBOARD W/LITERATURE
11	FA566386		2	DECAL, NUMERAL W/LITERATURE
12	FA481469		1	LATCH HANDLE, ENGINE COVER W/SHAFT
13	F286818		2	BEARING, LATCH SHAFT
14	F1864		6	HEX CAP SCREW, 1/4 - 20 X 3/4
15	F480038-2		1	PLATE SUPPORT
16	F549189		1	BUSHING, ELECTRIC CABLE
17	F545189		1	BUSHING, CABLE ENTRY
18	F1708		2	HEX HD CAP SCREW, 1/4 - 20 X 1-3/8
19	F1922		5	HEX SLOT HD SCREW 1/4 - 20 X 5/8
20	F8096		4	LOCKWASHER
21	F1858		2	HEX CAP SCREW, 5/16 - 18 X 1
22	F1857		2	HEX CAP SCREW, 5/16 - 18 X 5/8
23	F335654-1		1	STOP, DEFLECTION
24	F8083		1	LOCKWASHER
25	F481777		1	CAM, LATCH SHAFT
26	F2047		1	WAVE WASHER
27	F481382-1		1	SPACER, LATCH SHAFT
28	F8094		1	WASHER, PLAIN
29	F1854		1	HEX CAP SCREW, 1/4 - 20 X 5/8
30	F321756		1	PACKING
31	F333480-1		1	RETAINER, ENGINE COVER
32	F2066		30	PAN HD TAPPING SCREW, 10 X 7/16
33	F1473		7	HEX NUT, 10 - 24
34	F1857		2	HEX CAP SCREW, 5/16 - 18 X 5/8
35	F8096		2	LOCKWASHER
36	FA481743		1	LATCH, ROLLER BRACKET, W/ROLLER

CONTINUED ON NEXT PAGE ➡

ENGINE COVER AND SUPPORT PLATE

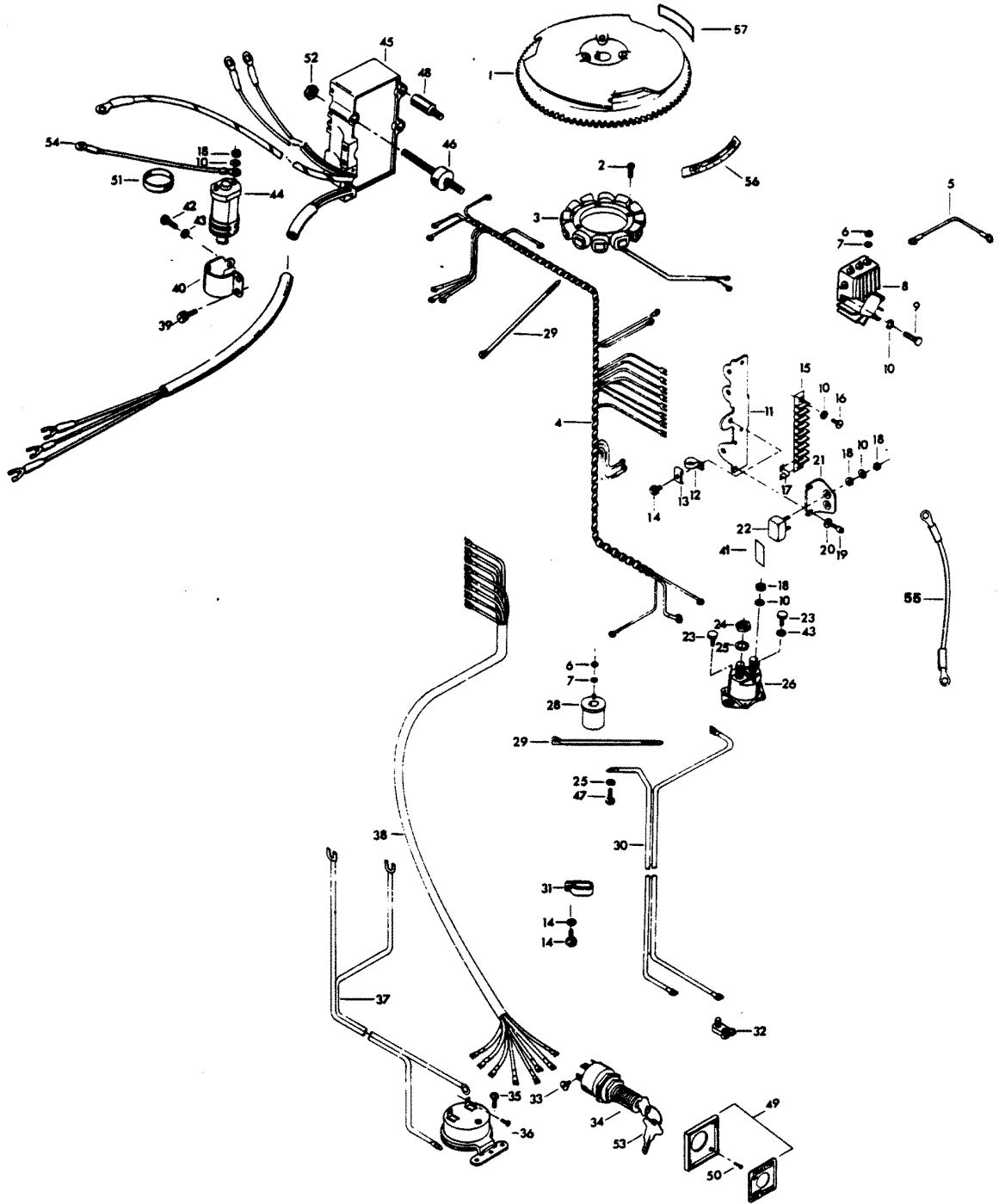


OB 3855

ENGINE COVER AND SUPPORT PLATE

REF. NO.	PART NO.	SYM.	QTY.	DESCRIPTION
37	FA552888		1	TRIM, FRONT W/LITERATURE
-	F548984		1	BLANKET, SILENCER - TOP (NOT SHOWN)
-	F552985		2	BLANKET, SILENCER - SIDE (NOT SHOWN)
38	FA606892		1	DECAL, ENGINE COVER FRONT
39	FA606528		1	DECAL, ENGINE COVER REAR

ELECTRICAL COMPONENTS



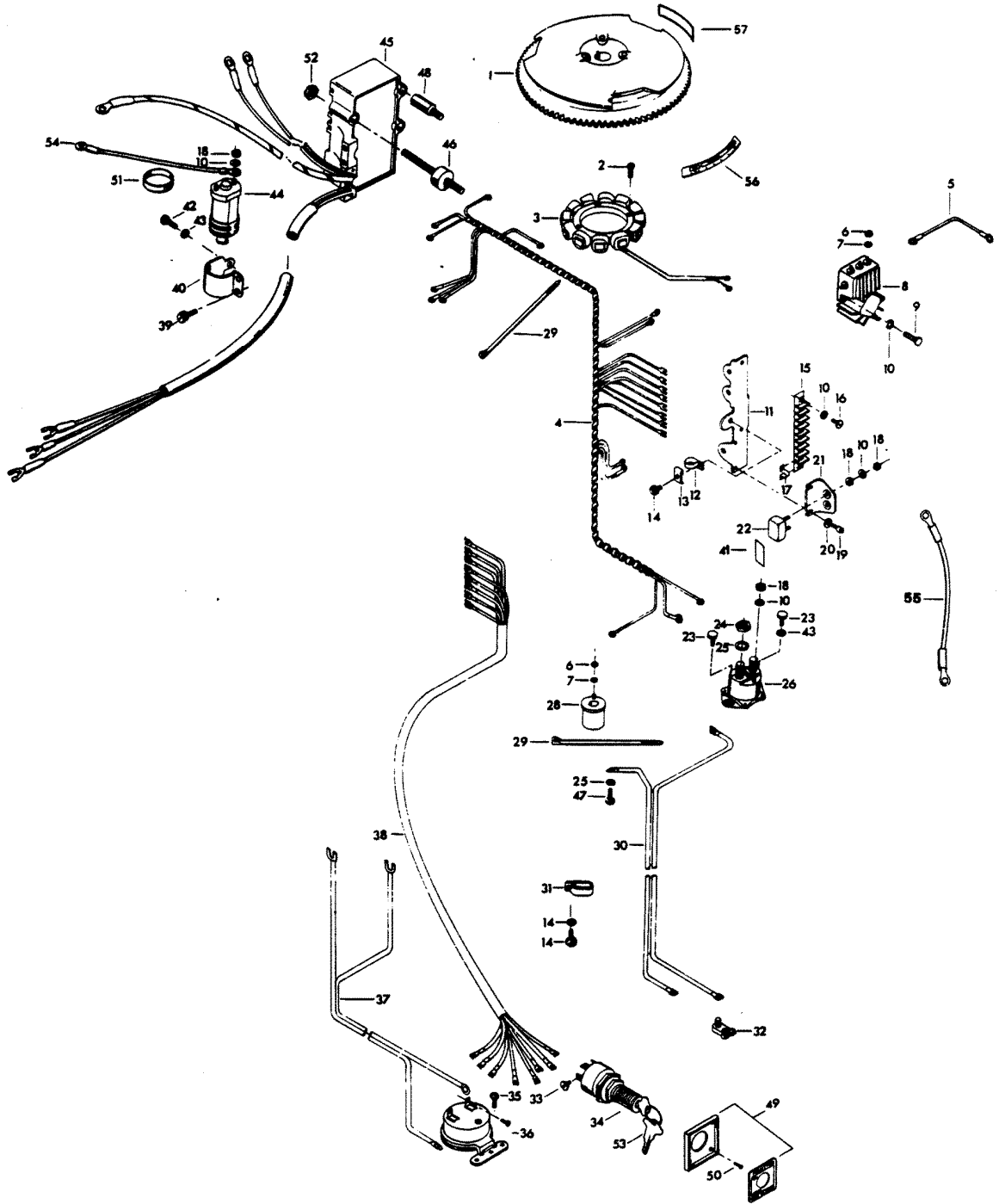
OB 3855

ELECTRICAL COMPONENTS

REF. NO.	PART NO.	SYM.	QTY.	DESCRIPTION
1	FA404097		1	FLYWHEEL WILLUS. 57
2	F1087		6	FILL HD SCREW, 10 - 24 X 13/16
3	F85095-2		1	STATOR
4	F438744-1		1	WIRING HARNESS
5	F345683		1	WIRE, REGULATOR - RECTIFIER GROUND
6	F1647		5	HEX NUT, 8 - 32
7	F8056		5	SPRING LOCKWASHER
8	F404470-1		1	REGULATOR - RECTIFIER
9	F2107		3	FILL HD SCREW, 10 - 24 X 5/8
10	F1975		8	SPRING LOCKWASHER
11	FA439493		1	TERMINAL BLOCK BRACKET WILLUS. 13 AND 14
12	F289446-1		1	CLAMP
13	F438668		1	RETAINER, CABLE CLAMP
14	F1734		2	FILL HD SCREW W/LOCKWASHER, 1/4 - 20 X 1/2
15	FA510497		1	TERMINAL BLOCK WILLUS. 16 AND 17
16	F1648		2	PAN HD SCREW, 10 - 24 X 3/4
17	F307317		1	CLIP, TERMINAL BLOCK
18	F1513		8	HEX NUT
19	F1760		2	PAN HD SCREW, 10 - 24 X 3/8
20	F8011		2	PLAIN WASHER
21	F91446-1		1	CIRCUIT BREAKER BRACKET
22	F510460		1	CIRCUIT BREAKER
23	F1705		2	HEX CAP SCREW, 1/4 - 20 X 3/4
24	F1515		2	HEX NUT
25	F8096		3	SPRING LOCKWASHER
26	F460917		1	STARTER RELAY
27	F1645		2	RD HD SCREW, 6 - 32 X 1/4
28	F85924		1	CHOKE SOLENOID
29	F1877		2	TY-RAP
30	F381896-4		1	BATTERY CABLE
31	F407446		1	CLAMP
32	F71H26		1	BATTERY TERMINAL KIT (ACCESSORY ITEM)
33	F1280		6	PAN HD SCREW, 8 - 32 X 1/4
34	F5H078		1	IGNITION SWITCH (LONG BARREL) W/KEYS AND SCREWS (ACCESSORY ITEM)
35	F1741		2	PAN HD SCREW, 8 X 3/4
36	F5H043		1	OVERHEAT BUZZER (ACCESSORY ITEM)
37	F404841		1	CABLE, HEAT INDICATOR
38	F85843-1		1	REMOTE ELECTRIC CABLE, 18 FEET
39	F1851		2	FILL HD SCREW W/LOCKWASHER, 10 - 24 X 1/2
40	F404513		1	COIL CLAMP
41	F510374-1		1	DECAL, CIRCUIT BREAKER
-	FC510374		1	DECAL, CIRCUIT BREAKER - CANADA

CONTINUED ON NEXT PAGE ➡

ELECTRICAL COMPONENTS

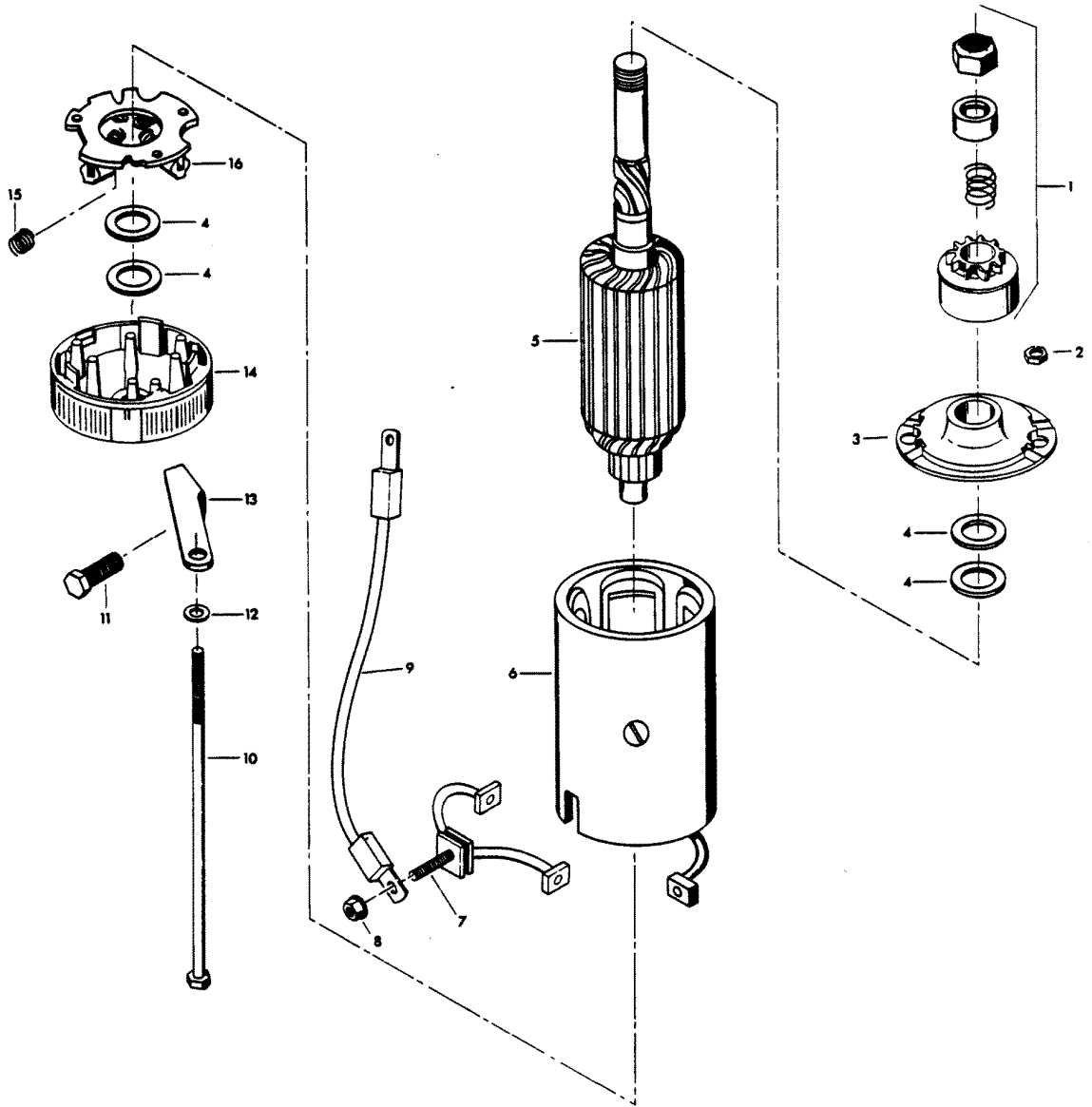


OB 3855

ELECTRICAL COMPONENTS

REF. NO.	PART NO.	SYM.	QTY.	DESCRIPTION
42	F1689		1	HEX HD CAP SCREW, 1/4 - 20 X 1/2
43	F8083		2	SPRING LOCKWASHER
44	F345475-1		1	COIL
45	300-817855A1		1	UNIT (ORIGINAL FORCE P/N A 523301-1)(Does not include Coil & Clamp)
46	F523962		3	SHOCK MOUNT - C.D. UNIT
47	F2000		1	HEX CAP SCREW, 5/16 - 18 X 3/4
48	F322273		1	STUD, C.D. UNIT
49	F5H038		1	IGNITION SWITCH MOUNTING KIT (ACCESSORY ITEM)
-	817892--1		1	PLATE, IGNITION SWITCH - CANADA (NOT SHOWN)
50	F1934		4	FLAT HD SLOTTED SCREW, 6 X 12
51	F391983		2	RETAINING BAND
52	F1892		3	STOP NUT
53	FA368700		-	KEY, IGNITION, NO LETTER OR STAMPED A
-	FB368700		-	KEY, IGNITION, STAMPED B
-	FC368700		-	KEY, IGNITION, STAMPED C
-	FD368700		-	KEY, IGNITION, STAMPED D
-	FE368700		-	KEY, IGNITION, STAMPED E
54	F85664		1	GROUND WIRE
55	F319908		1	GROUND WIRE - CANADA
56	F474387-1		1	TIMING DECAL
57	FA609853		1	DECAL, WARNING W/LITERATURE

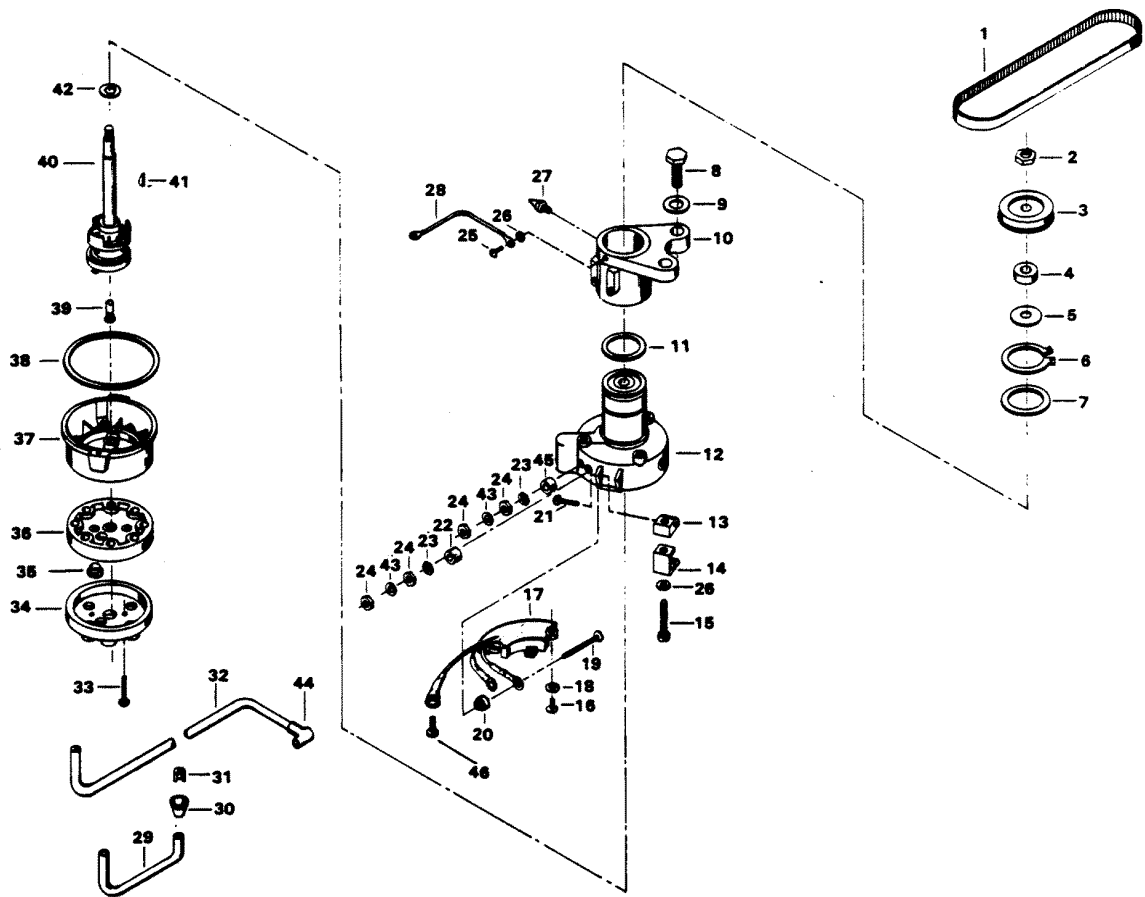
STARTER



STARTER

REF. NO.	PART NO.	SYM.	QTY.	DESCRIPTION
1	F15174		1	DRIVE KIT*
2	F15175		1	DRIVE ASSEMBLY, PINION*
3	F15176		1	CAP STARTER DRIVE*
4	F15177		1	ARMATURE*
5	F15178		1	THRU BOLT PACKAGE*
6	F15179		1	COMMUTATOR*
7	F15164		1	BRUSH KIT*
8	F1641		2	LOCK NUT
9	F85908-1		1	LEAD WIRE
10	F1922		1	HEX CAP SCREW, 1/4 - 20 X 5/8
11	F616675		1	STARTER BRACKET, LOWER
12	F1854		1	HEX HD. CAP SCREW, 1/4 - 20 X 5/8
13	F8083		1	SPRING LOCKWASHER
14	F616955		1	STARTER COMPLETE. INC. ALL ITEMS MARKED W/*
15	F15158		1	SCREW, BRUSH HOLDER
16	F15160		1	INSULATOR WASHER
-	F490955		1	STARTER, COMPLETE CONTAINS ALL ITEMS MARKED WITH AN ASTERISK (*)
-	FC500390		1	DECAL STARTER - CANADA (NOT SHOWN)
17	F15161		1	PLAIN WASHER
18	F15152		1	LOCKWASHER
19	F1341		1	NUT
20	F15162		1	NUT

DISTRIBUTOR

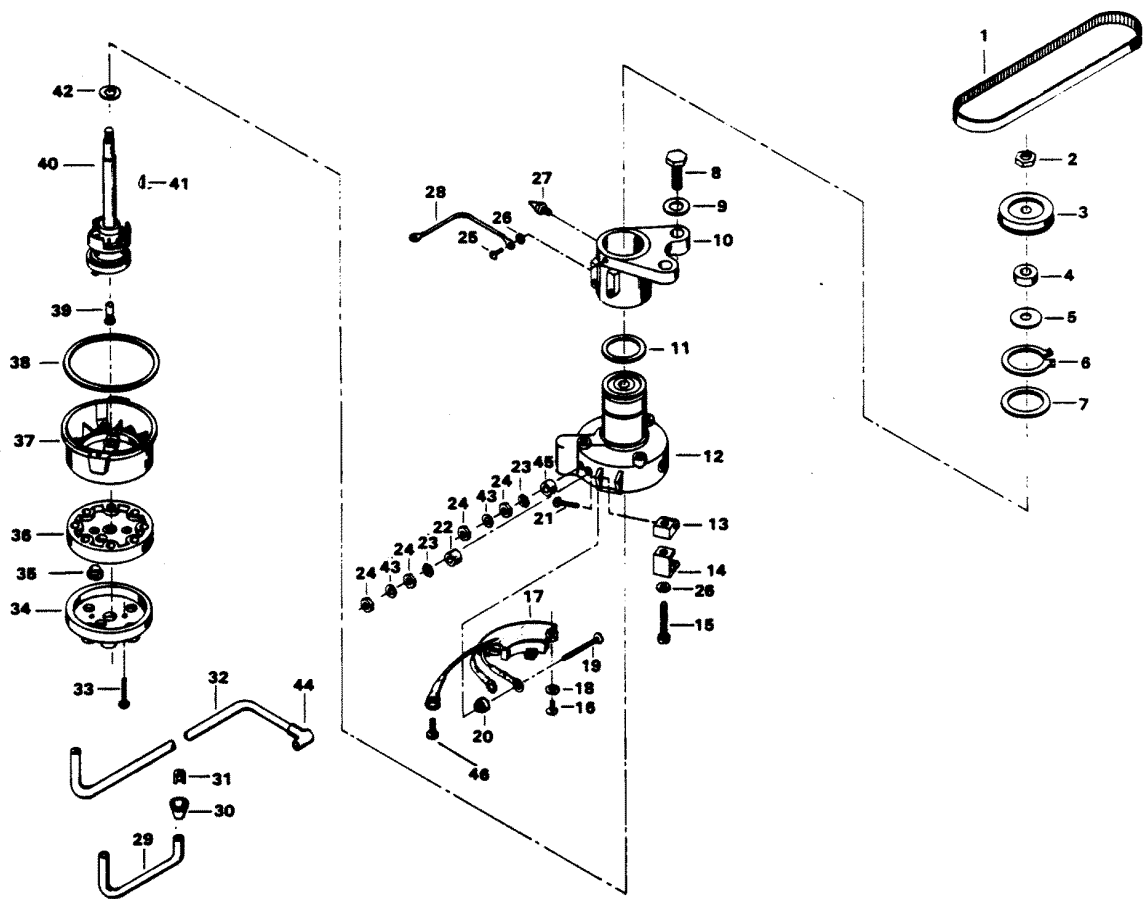


DISTRIBUTOR

REF. NO.	PART NO.	SYM.	QTY.	DESCRIPTION
1	F85311		1	DISTRIBUTOR BELT
2	F7013		1	STOP NUT
3	817786A1		1	DISTRIBUTOR PULLEY W/ILLUS. 2 ORIGINAL FORCE P/N A 373435-1
4	F14025		1	SPACER
5	F14028		1	THRUST WASHER
6	F85173		1	RETAINING RING
7	F14029		1	THRUST WASHER
8	F1612		2	HEX CAP SCREW, 3/8 - 16 X 1-1/4
9	F1778		2	PLAIN WASHER
10	FA321574		1	DISTRIBUTOR BRACKET W/ILLUS. 25, 26 AND 27
11	F1759		2	SHIM, DISTRIBUTOR (QTY. AS REQUIRED)
12	F14042		1	DISTRIBUTOR HOUSING W/BEARINGS
-	817828A1		1	DISTRIBUTOR, COMPLETE CONTAINS ALL ITEMS MARKED WITH AN ASTERISK (*) ORIGINAL FORCE P/N A 489309-1
13	F14036		2	SWIVEL
14	F14037		2	CAP CLIPS
15	F14038		2	CAP CLIP SCREWS
16	F14045		2	SCREW
17	FA14048-2		1	PREAMPLIFIER W/ILLUS. 18, SCREW AND LITERATURE
18	F8056		2	LOCKWASHER
19	F14046		2	TERMINAL SCREW
20	F14047		2	TERMINAL INSULATOR (INSIDE)
21	F14015		2	CAP CLIP RIVET
22	F14049		1	TERMINAL INSULATOR (OUTSIDE)
23	F14041		2	EXTERNAL TOOTH LOCKWASHER
24	F1647		4	HEX NUT, 8 - 32
25	F1760		2	PAN HD SCREW, 10 - 24 X 3/8
26	F1975		2	SPRING LOCKWASHER
27	F213274		1	GREASE FITTING
28	F85664		1	DISTRIBUTOR GROUND
29	84-817775A1		1	COIL WIRE W/ILLUS. 31 - USA ORIGINAL FORCE P/N A 321905-1
-	F438905		1	COIL WIRE - CANADA
30	F203276		1	BOOT
31	F203673		1	TERMINAL CLIP
32	84-817774A4		4	LEAD WIRE - USA
-	F438841-1		4	LEAD WIRE - CANADA
33	F14007		2	CAP SCREW
34	F14010-1		1	CAP COVER
35	F14040		2	VENT
36	F14021-1		1	CAP SEAL
37	F14005-2		1	CAP BASE
38	F14030		1	CAP GASKET

CONTINUED ON NEXT PAGE ➡

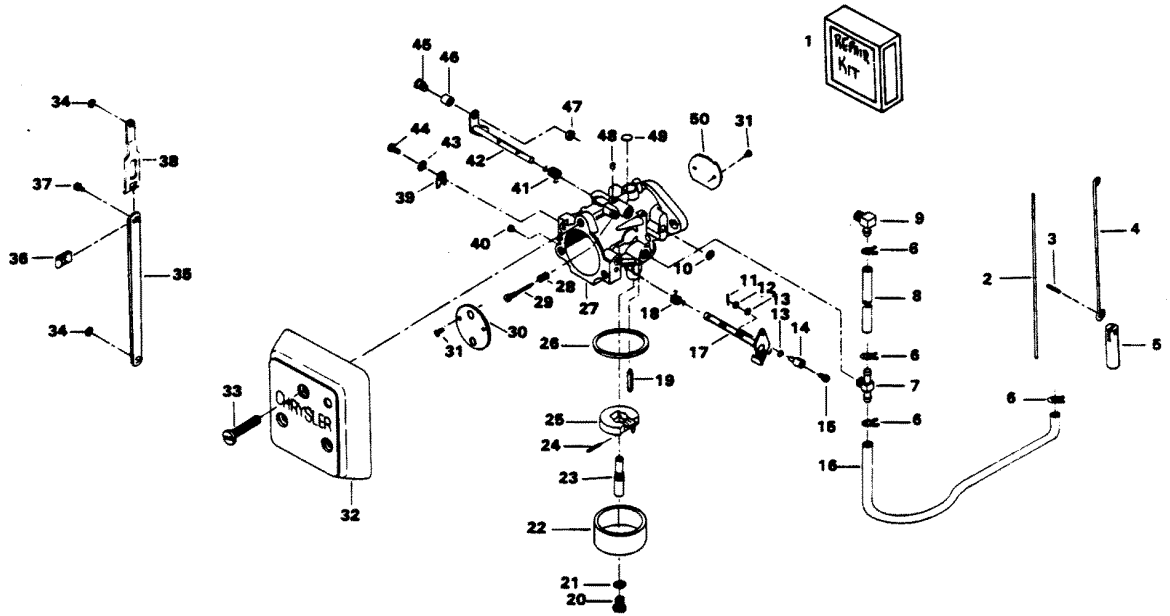
DISTRIBUTOR



DISTRIBUTOR

REF. NO.	PART NO.	SYM.	QTY.	DESCRIPTION
39	F14012-1		1	BRUSH
40	F14044		1	DISTRIBUTOR SHAFT
41	F1692		1	WOODRUFF KEY
42	F14024		1	SPACER
43	F8056		2	LOCKWASHER
44	FK1123		4	SPARKIE W/SPRING
45	F14017		1	TERMINAL INSULATOR (OUTSIDE)
46	F14056		1	SCREW

CARBURETOR

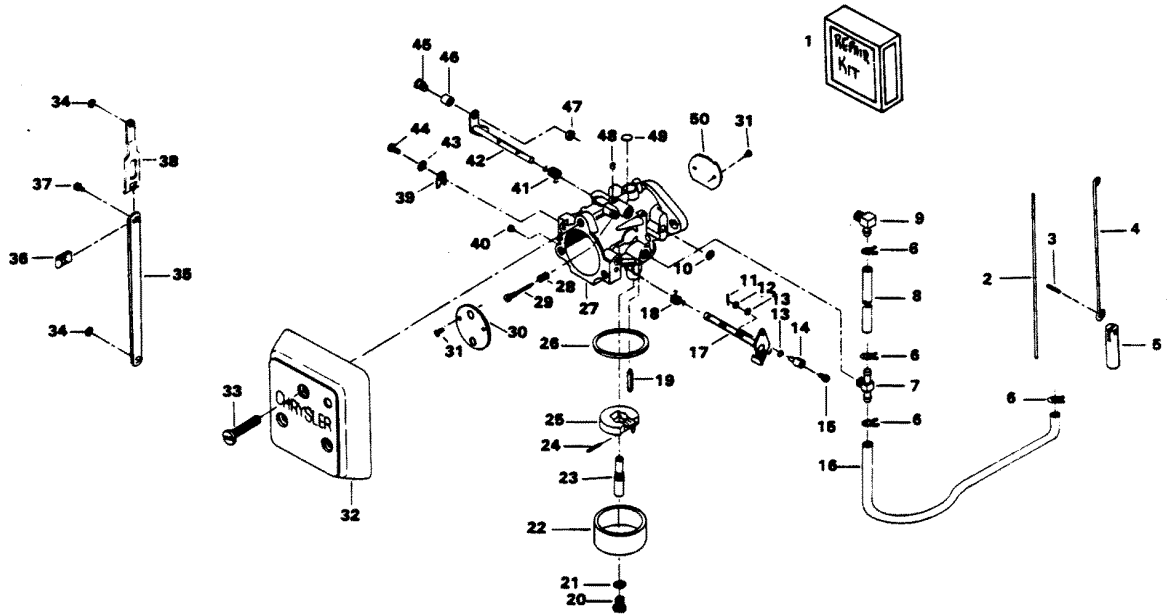


CARBURETOR

REF. NO.	PART NO.	SYM.	QTY.	DESCRIPTION
1	FK10103		1	REPAIR PARTS KIT INCLUDES ALL ITEMS MARKED WITH AN ASTERISK (*) .
2	F85509-1		1	LINK, CHOKE
3	F2033		1	GROOVE PIN
4	F440925		1	CHOKE ROD
5	F391926-1		1	PLUNGER
6	F97772		4	CLAMP
7	F85314-1		1	FUEL FITTING
8	F178754-1		1	FUEL LINE
9	F84314-2		1	ELBOW
10	FO16620		1	E-RING
11	F1014		2	COTTER PIN
12	F8088		3	PLAIN WASHER
13	F184579		5	O-RING SEAL
14	F184033-1		1	SWIVEL, TOP CARBURETOR
15	F1059		2	FILL HD SCREW, 6 - 32 X 1/4
16	F434754		1	FUEL LINE
17	FO16301		1	CHOKE SHAFT AND LEVER
18	FO17885		1	CHOKE SHAFT RETURN SPRING
19	FK10107		1	INLET NEEDLE AND SEAT W/LITERATURE
20	FO16132		1	FUEL BOWL RETAINING SCREW
21	F05323		2	FUEL BOWL RETAINING SCREW GASKET
-	F85033		1	SWIVEL, CHOKE ROD (BOTTOM CARBURETOR) (NOT SHOWN)
-	FK10023		1	GASKET SET (NOT SHOWN)
22	FO16130		1	FUEL BOWL
23	FO16133		1	MAIN NOZZLE
24	FO13944		1	FLOAT LEVER PIN
25	FO13554		1	FLOAT
26	FO15623		1	FUEL BOWL GASKET
27	F476061-4		2	CARBURETOR COMPLETE (TC-5E)
28	FO11103		1	IDLE MIXTURE SCREW SPRING
29	FO14166		1	IDLE MIXTURE SCREW
30	FO17719		1	CHOKE SHUTTER
31	FO15912		4	CHOKE AND THROTTLE SHUTTER SCREW
32	F511708		2	COVER, CARBURETOR
33	F1034		6	PAN HD SCREW, 1/4 - 20 X 1-3/8
34	F90807		2	RETAINING RING
35	FA178233		1	THROTTLE TIE BAR W/SWIVEL
36	F1693		1	TIE BAR RETAINER
37	F1064		1	FILL HD SCREW, 8 - 32 X 3/8
38	FA85193		1	TIE BAR END W/SWIVEL
39	FO9678		1	CLIP, CHOKE SHAFT
40	FO12947		1	MAIN FUEL JET STD. .096 SEA LEVEL - 1500 FT.

CONTINUED ON NEXT PAGE ➡

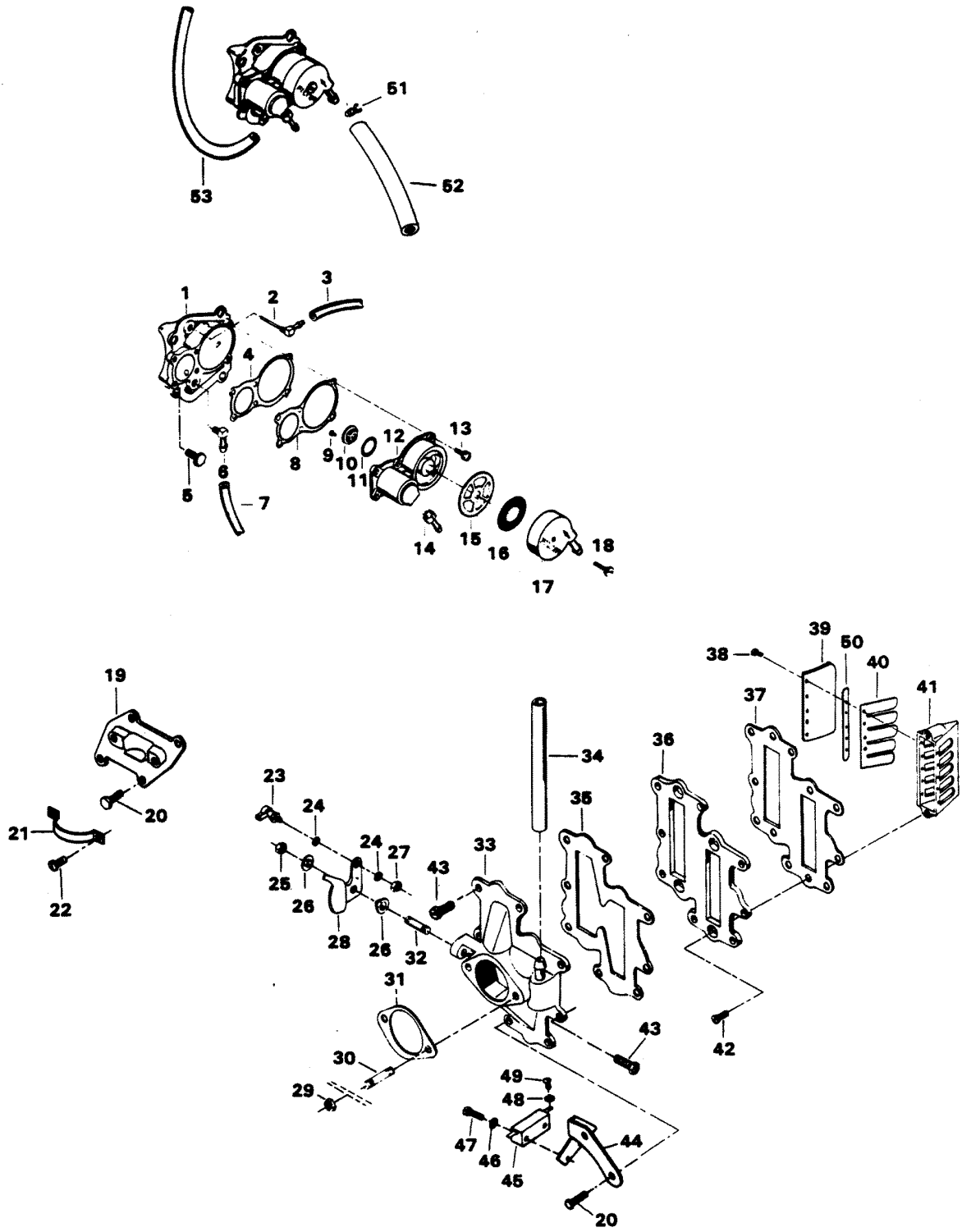
CARBURETOR



CARBURETOR

REF. NO.	PART NO.	SYM.	QTY.	DESCRIPTION
-	FO14191		-	MAIN FUEL JET OPT. .0937 1500 - 3000 FT.
-	FO14190		-	MAIN FUEL JET OPT. .092 3000 - 4500 FT.
-	FO15406		-	MAIN FUEL JET OPT. .090 4500 - 6000 FT.
-	FO13193		-	MAIN FUEL JET OPT. .088 6000 FT. AND UP. OPTIONAL SIZE MAIN FUEL JETS ARE TO BE USED ONLY AT ALTITUDES INDICATED.
41	FO16143		1	THROTTLE SHAFT RETURN SPRING
42	FO17884		1	THROTTLE SHAFT AND LEVER
43	FO992		1	LOCKWASHER
44	FO1974		1	SCREW
45	F333316		1	THROTTLE ROLLER SHAFT
46	F92759		1	THROTTLE ROLLER
47	F1997		1	STOP NUT, 8 - 32
48	FO10588		5	BODY CHANNEL CUP PLUG
49	FO16128		1	BODY CHANNEL WELCH PLUG
50	FO16142		1	THROTTLE SHUTTER

FUEL PUMP AND REED PLATE



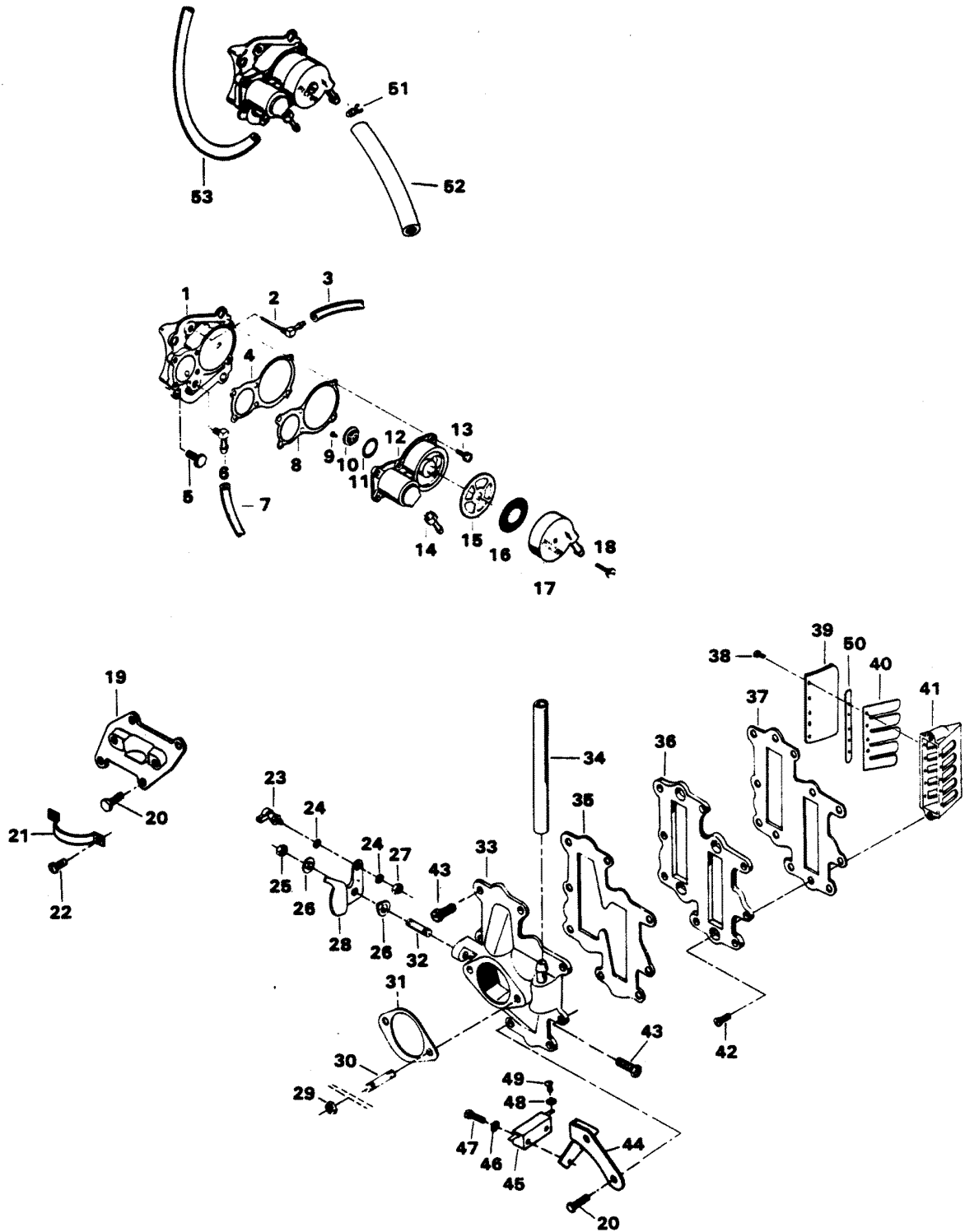
OB 3855

FUEL PUMP AND REED PLATE

REF. NO.	PART NO.	SYM.	QTY.	DESCRIPTION
1	FA439746		2	FUEL PUMP COVER W/PLUG
2	F404314		1	ELBOW, FUEL PUMP COVER
3	F441754-1		1	HOSE
4	F438760		2	FUEL PUMP GASKET
5	F1922		8	HEX CAP SCREW, 1/4 - 20 X 5/8
6	F84314-2		2	ELBOW
7	F89758		1	FUEL PUMP AIR HOSE - TOP
8	F438747		2	FUEL PUMP DIAPHRAGM
9	F1860		4	RD HD SCREW, 6 - 32 X 1/4
10	F177330		6	FUEL PUMP VALVE
11	F84792		2	GASKET, CENTER FUEL PUMP VALVE
12	FA438431		2	FUEL PUMP BODY W/VALVES
13	F1108		12	FILL HD SCREW, 1/4 - 20 X 3/4
14	F438801		2	FITTING
15	F438617		2	FUEL SEDIMENT BOWL GASKET
16	F438653		2	FUEL SEDIMENT BOWL SCREEN
17	F438500		2	FUEL SEDIMENT BOWL
18	F438165		2	SCREW, FUEL PUMP BOWL
19	F372958		1	CHOKE BRACKET
20	F1532		6	HEX HD SCREW, 1/4 - 20 X 1
21	F85317-2		1	SOLENOID CLAMP
22	F1236		2	SCREW, 1/4 - 20 X 1/2
23	817747--1		1	BALL JOINT W/STUD
24	F8058		2	INTERNAL TOOTH LOCKWASHER
25	F7008		1	STOP NUT, 1/4 - 20
26	F269319		2	THROTTLE CAM BEARING
27	F1513		1	HEX NUT, 10 - 32
28	F440192-1		1	THROTTLE CAM
29	F1346		4	HEX NUT
30	F440209		4	CARBURETOR STUD
31	F440906		2	CARBURETOR GASKET
32	F433209-1		1	THROTTLE CAM STUD
33	FA440167		1	CARBURETOR ADAPTER - LOWER W/FITTING AND ILLUS. 30
-	FA440157		1	CARBURETOR ADAPTER - UPPER W/FITTING AND ILLUS. 30 (NOT SHOWN)
34	F440254		1	BALANCE TUBE
35	F178168-1		2	GASKET, CARBURETOR ADAPTER
36	F178404-1		2	DEFLECTOR PLATE
37	F406406		2	GASKET DEFLECTOR PLATE
38	F1755		40	ROUND HD SCREW W/LOCKWASHER, 6 - 32 X 1/4
39	F85161-1		8	REED STOP
40	F530160		8	REED (5 PETAL)
41	F3A523158		4	REED PLATE W/ILLUS. 38, 39, 40, 43 AND 50

CONTINUED ON NEXT PAGE ➡

FUEL PUMP AND REED PLATE

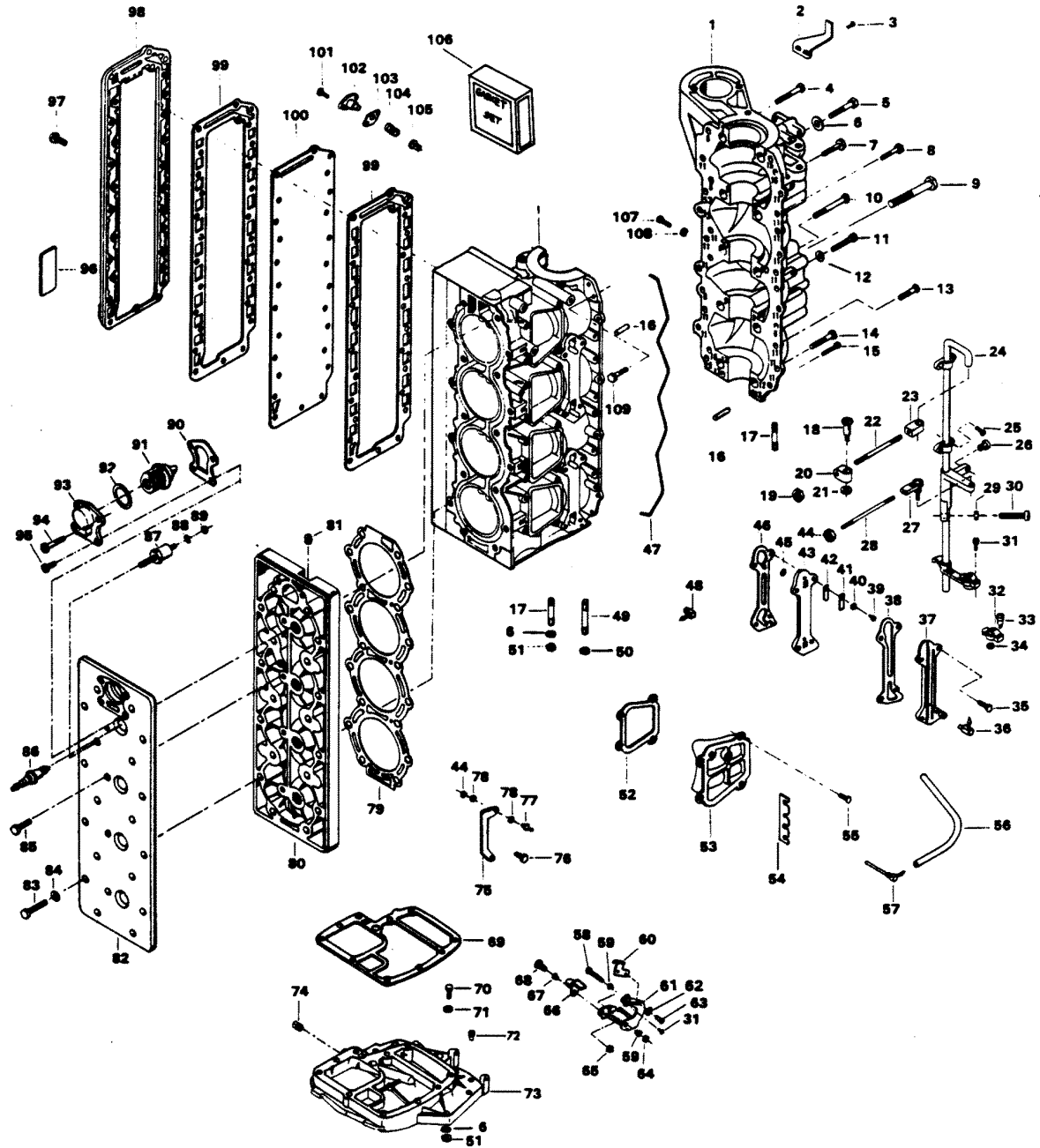


OB 3855

FUEL PUMP AND REED PLATE

REF. NO.	PART NO.	SYM.	QTY.	DESCRIPTION
42	F1831		8	FLAT HD SCREW, 1/4 - 20 X 5/8
43	F2008		10	HEX HD SCREW, 1/4 - 20 X 7/8
44	F489551		1	BRACKET, NEUTRAL INTERLOCK SWITCH
45	F84449		1	INTERLOCK SWITCH
46	F8088		2	PLAIN WASHER
47	F2016		2	FILL HD SCREW, 6 - 32 X 7/8
48	F1704		2	INTERNAL TOOTH LOCKWASHER
49	F1645		2	RD HD SCREW, 6 - 32 X 1/4
50	F523451		8	SPACER, REED STOP
51	F97772		2	CLAMP
52	F528253		1	HOSE (LOWER FUEL PUMP TO UPPER)
53	F154758		1	HOSE (FUEL PUMP UPPER)

POWER HEAD

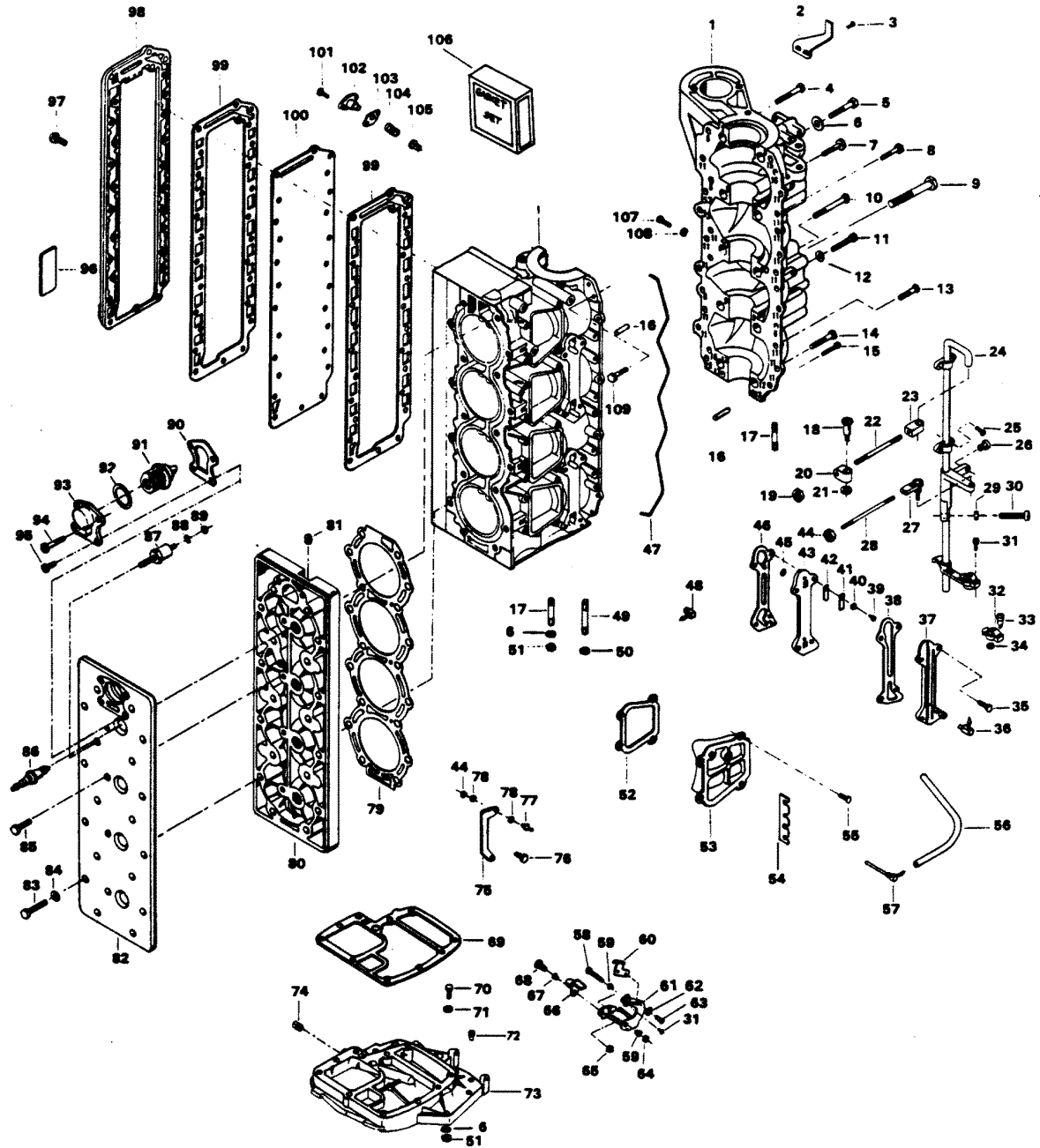


POWER HEAD

REF. NO.	PART NO.	SYM.	QTY.	DESCRIPTION
1	FA476010		1	CYLINDER W/CRANKCASE COVER W/CRANKCASE COVER, ILLUS. 4, 9, 11, 14, 15, 17, 47, 49 AND LITERATURE
-	FC528010		1	SHORT BLOCK. CONTAINS ALL ITEMS MARKED WITH AN ASTERISK (*). ALSO REFER TO CRANKSHAFT PAGE.
2	FA480894		1	TIMING POINTER W/ILLUS. 56 ON PAGE 4
3	F1760		2	PAN HD SCREW, 10 - 24 X 3/8
4	F1874		1	HEX HD SCREW, 3/8 - 16 X 3-1/8
5	F1009		1	HEX HD SCREW, 3/8 - 16 X 2-3/4
6	F8095		12	PLAIN WASHER
7	F2008		2	HEX HD SCREW, 1/4 - 20 X 7/8
8	F2008		3	HEX HD SCREW, 1/4 - 20 X 7/8
9	F1873		2	HEX CAP SCREW, 3/8 - 16 X 3
10	F1699		1	HEX HD SCREW, 1/4 - 20 X 1-1/8
11	F1253		4	HEX SOCKET HD CAP SCREW, 3/8 - 16 X 2
12	F8104		4	PLAIN WASHER
13	F1864		16	HEX HD SCREW, 1/4 - 20 X 3/4
14	F1872		2	HEX CAP SCREW, 3/8 - 16 X 1-3/4
15	F1504		2	FILL HD SCREW, 1/4 - 20 X 1-1/4
16	F8563		2	DOWEL PIN
17	F85859		4	STUD
18	F85026		1	SWIVEL
19	F2015		1	HEX NUT, 1/4 - 28
20	F85035		1	DISTRIBUTOR CONTROL ROD END
21	F2042		1	PLAIN WASHER
22	F85445		1	CONTROL ROD
23	F85036		1	TOWERSHAFT CONTROL ROD END
24	FK78838-6		1	TOWERSHAFT
25	F1475		4	FILL HD SCREW, 10 - 24 X 1/2
26	F1727		1	PLASTIC RIVET
27	817747--1		1	BALL JOINT W/STUD
28	F85502		1	THROTTLE LINK
29	F1341		1	HEX NUT, 1/4 - 20
30	F1052		1	FILL HD SCREW, 1/4 - 20 X 1
31	F1556		2	FILL HD SCREW W/LOCKWASHER, 10 - 24 X 3/8
32	FK405020		2	SWIVEL W/CLAMP, SHOULDER SCREW AND NUT
33	F405457		1	PIVOT SCREW
34	F7008		1	ELASTIC STOP NUT
35	F1532		8	HEX HD SCREW, 1/4 - 20 X 1
36	22-818103--1		1	ELBOW, CYLINDER DRAIN LOWER
-	F404801		1	ELBOW, CYLINDER DRAIN UPPER (NOT SHOWN)
-	F406471-1		2	CYLINDER DRAIN COVER
38	F84472-5		2	GASKET, CYLINDER DRAIN COVER
39	F1286		4	PAN HD SCREW, 4 - 40 X 3/16
40	F8003		4	PLAIN WASHER

CONTINUED ON NEXT PAGE ➡

POWER HEAD

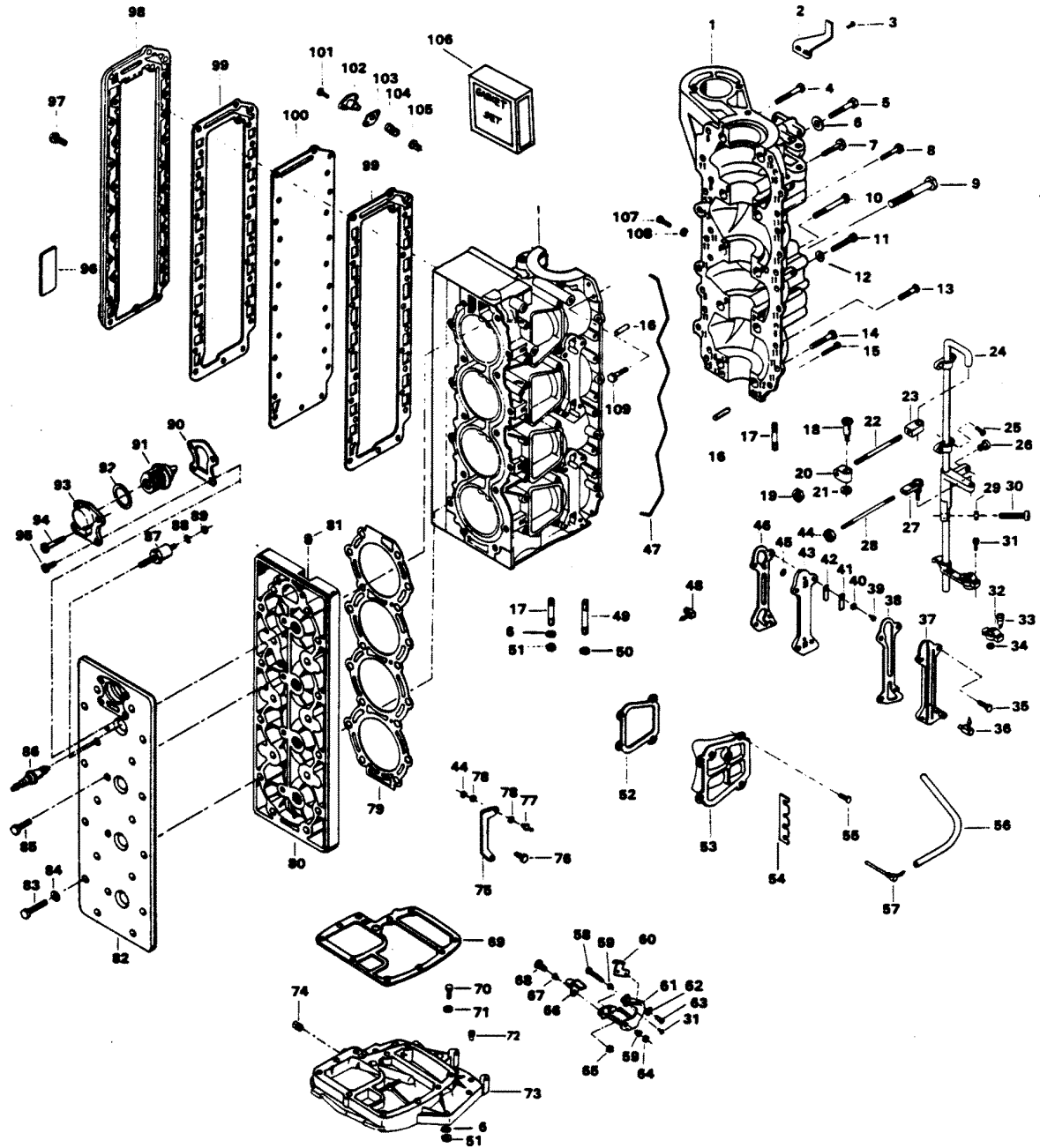


POWER HEAD

REF. NO.	PART NO.	SYM.	QTY.	DESCRIPTION
41	F93920		4	REED STOP
42	F18160-2		4	CYLINDER DRAIN REED
43	F2A406757		2	CYLINDER DRAIN REED PLATE W/ILLUS. 39, 40, 41, 42 AND 45
44	F1513		4	HEX NUT, 10 - 32
45	F93811		4	SCREEN
46	F84748-3		2	GASKET
47	F184122-1		1	SEAL, PARTING LINE
48	F84314-2		1	ELBOW
49	F85211		6	STUD
50	F8038		4	PLAIN WASHER
51	F7004		10	STOP NUT, 3/8 - 16
52	F40223		4	GASKET, TRANSFER PORT COVER
53	FA411222		2	TRANSFER PORT COVER W/ILLUS. 81
54	F523834		1	CLIP, SPARK PLUG WIRE
55	F1922		6	HEX CAP SCREW, 1/4 - 20 X 5/8
56	F406754-1		1	HOSE
57	F404314		1	FITTING
58	F1885		1	HEX BOLTS, S.S., 5/16 - 18 X 4-1/4
59	F85610		2	BEARING
60	F480107-1		1	CAM STARTER INTERLOCK
61	FA480876		1	GEAR SHIFT ARM W/ILLUS. 32, 59, 65, 66, 67 AND 68
62	F2042		2	PLAIN WASHER
63	F2089		2	SLOTTED PAN HD M. SCREW, 10 - 24 X 5/16
64	F2108		1	STOP NUT, 5/16 - 18
65	F1832		1	STOP NUT, 1/4 - 20
66	F369977-1		1	INTERLOCK ARM
67	F369610		1	BEARING
68	F369887		1	SHOULDER SCREW
69	F85279-2		1	GASKET, CYLINDER EXHAUST UPPER
70	F1869		6	HEX CAP SCREW, 3/8 - 16 X 1-1/4
71	F1703		6	LOCKWASHER
72	F40689-1		1	BEARING
73	817788A3		1	SPACER PLATE W/ILLUS. 74 ORIGINAL FORCE P/N A 404680-1
74	F2090		1	PLUG
75	FS85872-1		1	BRACKET W/ILLUS. 54
76	F1864		2	HEX CAP SCREW, 1/4 - 20 X 3/4
77	F98273		2	ROD END CONNECTOR STUD
78	F8058		4	INTERNAL TOOTH LOCKWASHER
79	F476529-1		1	CYLINDER HEAD GASKET
80	FA528518		1	CYLINDER HEAD W/ILLUS 81
81	F19109		1	PLUG
82	F528995		1	COVER, CYLINDER HEAD

CONTINUED ON NEXT PAGE ➡

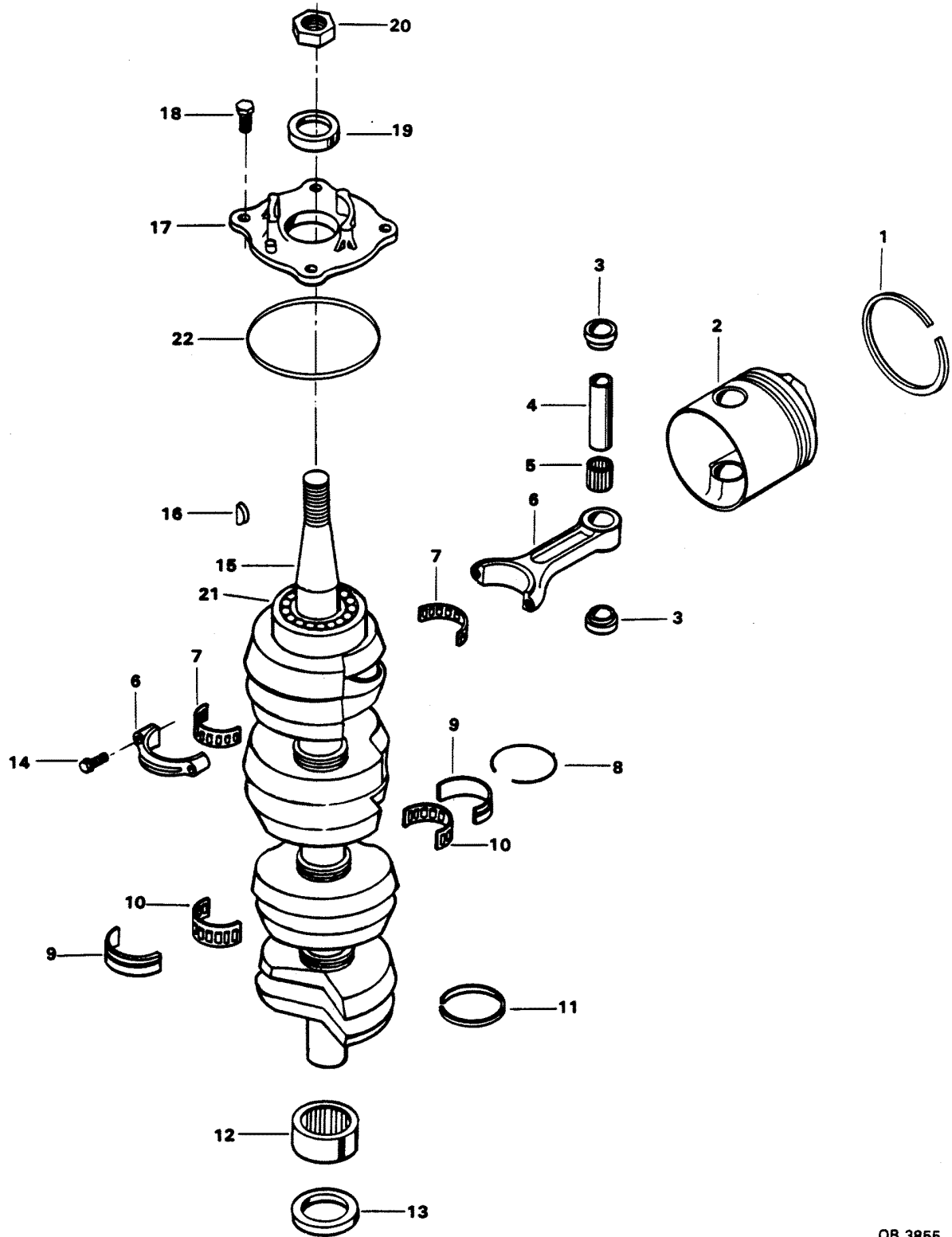
POWER HEAD



POWER HEAD

REF. NO.	PART NO.	SYM.	QTY.	DESCRIPTION
83	F2049		18	HEX CAP SCREW, 5/16 - 18 X 2-5/8
84	F1987		18	PLAIN WASHER
85	F2008		4	HEX CAP SCREW, 1/4 - 20 X 7/8
86	33-97180		4	SPARK PLUG (CHAMPION L20V) - USA
-	C523227		4	SPARK PLUG (CHAMPION QL-76V) - CANADA
87	87-817778A1		1	THERMOSWITCH W/ILLUS. 88 AND 89 ORIGINAL FORCE P/N A 335449-1
88	F8056		1	LOCKWASHER
89	F1647		1	HEX NUT, 8 - 32
90	F476067		1	GASKET
91	F528068		1	THERMOSTAT
92	F84504		1	GROMMET (THERMOSTAT)
93	F476066-1		1	THERMOSTAT COVER
94	F1504		2	FILL HD SCREW, 1/4 20 X 1-1/4
95	F1107		2	SLOTTED FILL HD CAP SCREW, 1/4 20 X 3/4
96	F438398-1		1	DECAL, WIRING
97	F1699		27	HEX BOLT, 1/4 - 20 X 1-1/8
98	F372152-2		1	EXHAUST PORT COVER
99	F372154-1		2	GASKET, EXHAUST PORT PLATE
100	F372151-1		1	EXHAUST PORT PLATE
101	F1950		2	HEX CAP SCREW, 10 - 24 X 5/8
102	F438066		1	BY-PASS VALVE COVER
103	F85762		1	BY-PASS VALVE COVER GASKET
104	F404268		1	BY-PASS VALVE SPRING
105	F85916-1		1	BY-PASS VALVE
106	FG1019		1	GASKET SET INCLUDES ITEMS MARKED WITH A *
-	F40223		4	TRANSFER PORT COVER GASKET
-	F84472-5		2	CYLINDER DRAIN COVER GASKET
-	F84748-3		2	CYLINDER DRAIN REED PLATE GASKET
-	F85279-2		1	CYLINDER EXHAUST UPPER GASKET
-	F85762		1	BY-PASS COVER GASKET
-	F85906		2	CARBURETOR GASKET
-	F178168-1		2	CARBURETOR ADAPTER GASKET
-	F184122-1		1	SEAL
-	F372154-1		2	EXHAUST PORT PLATE GASKET
-	F406406		2	DEFLECTOR PLATE GASKET
-	F440906		2	CARBURETOR GASKET
-	F476067		1	THERMOSTAT COVER GASKET
-	F476529-1		1	CYLINDER HEAD GASKET
107	F2000		1	HEX CAP SCREW, 5/16 - 18 X 3/4
108	F8096		1	SPRING LOCKWASHER
109	F1532		2	HEX HD SCREW, 1/4 - 20 X 1

CRANKSHAFT AND PISTON GROUP

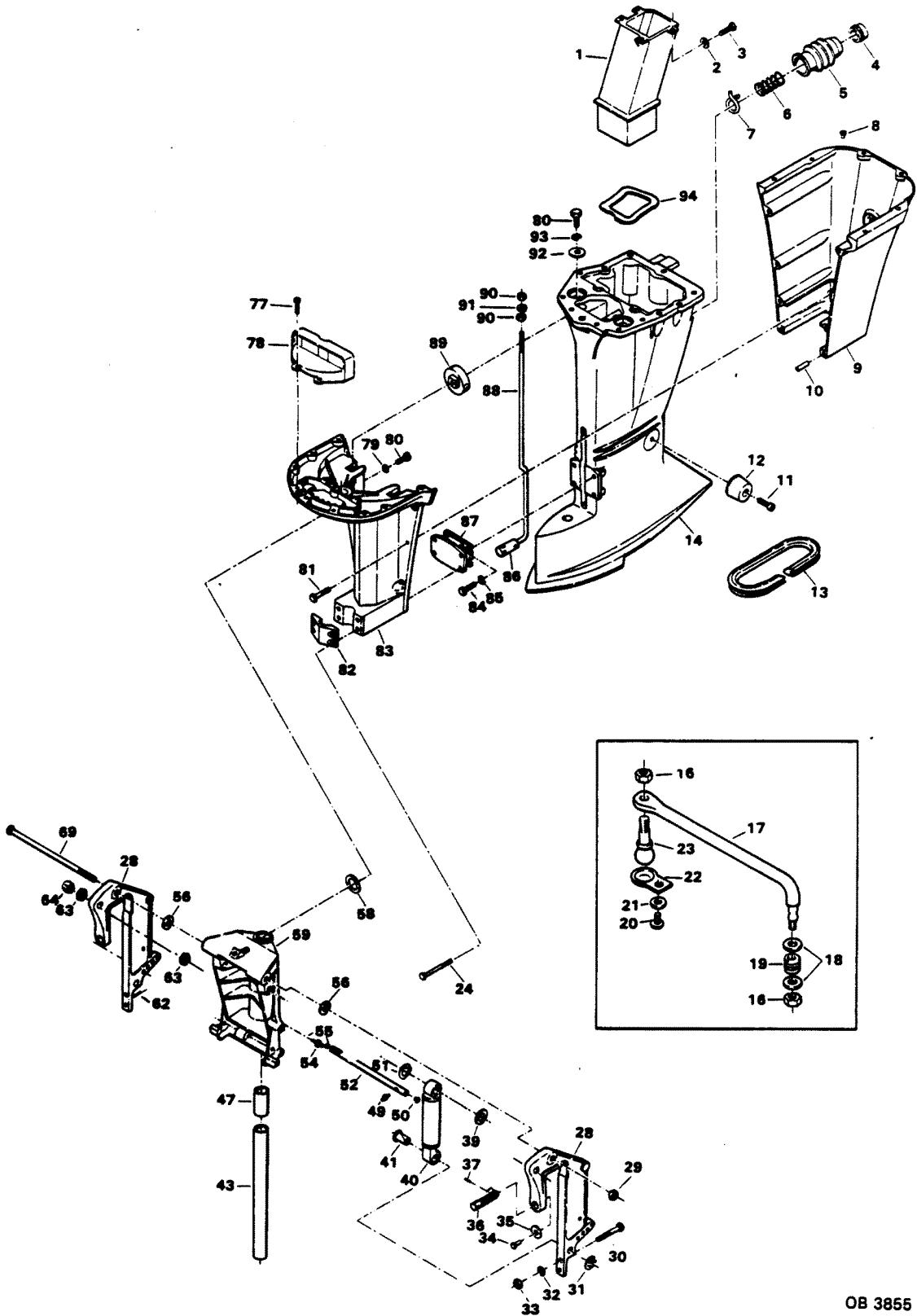


OB 3855

CRANKSHAFT AND PISTON GROUP

REF. NO.	PART NO.	SYM.	QTY.	DESCRIPTION
1	FA528260		2	PISTON RING SET FOR 2 PISTONS - STANDARD
-	FSA528260		2	PISTON RING SET FOR 2 PISTONS .010 OVERSIZE
-	39-818129A2		2	PISTON RING SET FOR 2 PISTONS .030 OVERSIZE
2	F528015		4	PISTON - STANDARD
-	FSA528015		4	PISTON .010 OVERSIZE
-	700-818128A1		4	PISTON .030 OVERSIZE
3	F335215		8	SPACER, PISTON PIN (2 PER PISTON)
4	F85017		4	PISTON PIN
5	F335217-1		4	BEARING, PISTON PIN (26 PER SET)
6	600-818052A4		4	CONNECTING ROD W/CAP AND SCREWS
7	FK85228-1		4	BEARING CAGE W/ROLLER
8	F85410		3	SNAP RING
9	FA85655-1		3	CRANKSHAFT MAIN BEARING RACE W/SNAP RING
10	F85571		3	BEARING CAGE W/ROLLER
11	F316579		3	SEAL, CRANKCASE
12	FA523014		1	CRANKSHAFT LOWER MAIN BEARING W/ITEM 13
13	F523146-1		1	SEAL, CRANKSHAFT LOWER
14	F85634-2		8	CONNECTING ROD SCREW
15	FA528018		1	CRANKSHAFT W/ILLUS. 21
16	F85498		1	FLYWHEEL KEY
17	31-817785A2		1	CRANKSHAFT BEARING CAGE W/ILLUS. 19 ORIGINAL FORCE P/N A 373144-2
18	F1867		4	HEX CAP SCREW, 3/8 - 16 X 1
19	F523146-1		1	SEAL, CRANKSHAFT BEARING CAGE
20	F1968		1	FLYWHEEL NUT
21	F284659-2		1	BEARING, CRANKSHAFT UPPER MAIN
22	F84278		1	SEAL
-	F2067		1	PLASTISOL CAP (NOT SHOWN) FOR EXPOSED THREADS OF CRANKSHAFT

MOTOR LEG



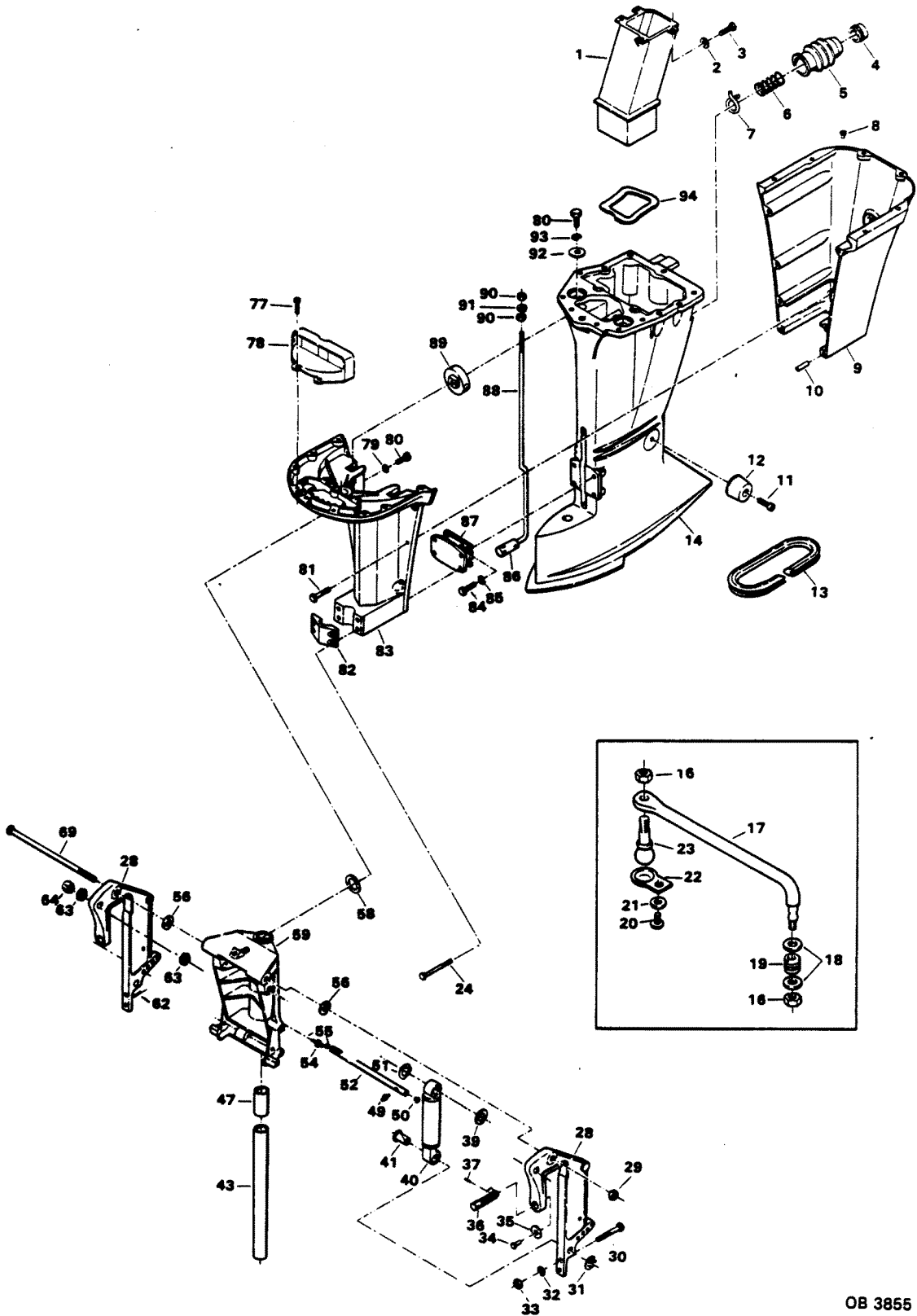
OB 3855

MOTOR LEG

REF. NO.	PART NO.	SYM.	QTY.	DESCRIPTION
1	F85660-1		1	EXHAUST TUBE
2	F8083		4	SPRING LOCKWASHER
3	F1864		4	HEX SLOT HD SCREW, 1/4 - 20 X 3/4
4	F85258		1	INSERT
5	F85130		1	BOOT IDLE EXHAUST
6	F85380		1	SPRING
7	F85772		1	CLAMP
8	F1729		2	PLUG
9	F178145-3		1	MOTOR LEG COVER REAR
10	F1664		2	SPRING PIN
11	F1263		2	HEX SOCKET HD CAP SCREW, 5/16 - 18 X 9/16
12	F438962		2	SHOCK MOUNT LOWER REAR
13	F178323		1	SEAL, MOTOR LEG
14	F523133-2		1	MOTOR LEG
16	F2093		2	STOP NUT, 5/8 - 24
17	F5H094		1	STEERING LINK KIT
-	FOB2603		-	INSTALLATION INSTRUCTIONS (5H094 STEERING LINK KIT)
18	F8038		2	PLAIN WASHER
19	F523300-1		1	SPRING STEERING LINK
20	F1280		1	PAN HD SCREW
21	F8080		1	HELICAL SPRING LOCKWASHER
22	F523930		1	RETAINER STUD
23	F523273		1	STUD STEERING BALL
24	F1696		4	HEX BOLT, 5/16 - 18 X 1-3/4
28	1400-817958A6		2	STERN BRACKET
29	F7012		1	STOP NUT
30	F1593		2	HEX HD SCREW, 3/8 - 16 X 3
32	F1904		2	PLAIN WASHER
33	F1346		2	HEX NUT
34	F353480		2	STUD
35	F84074		2	CLAMP SCREW FOOT
36	F474073-1		2	CLAMP SCREW
37	F8538		2	SPRING PIN
39	F1710		2	PLAIN WASHER
40	FA178962		1	SHOCK ABSORBER W/BUSHING
41	F449362		2	BEARING
43	FS85019		1	KINGPIN
47	F438169		2	BEARING
49	F523274		1	GREASE FITTING
50	F9052		1	PLUG
51	F1711		2	SPRING BOWED WASHER
52	F511125-2		1	TUBE, STEERING SUPPORT
54	F213274		3	GREASE FITTING

CONTINUED ON NEXT PAGE ➡

MOTOR LEG

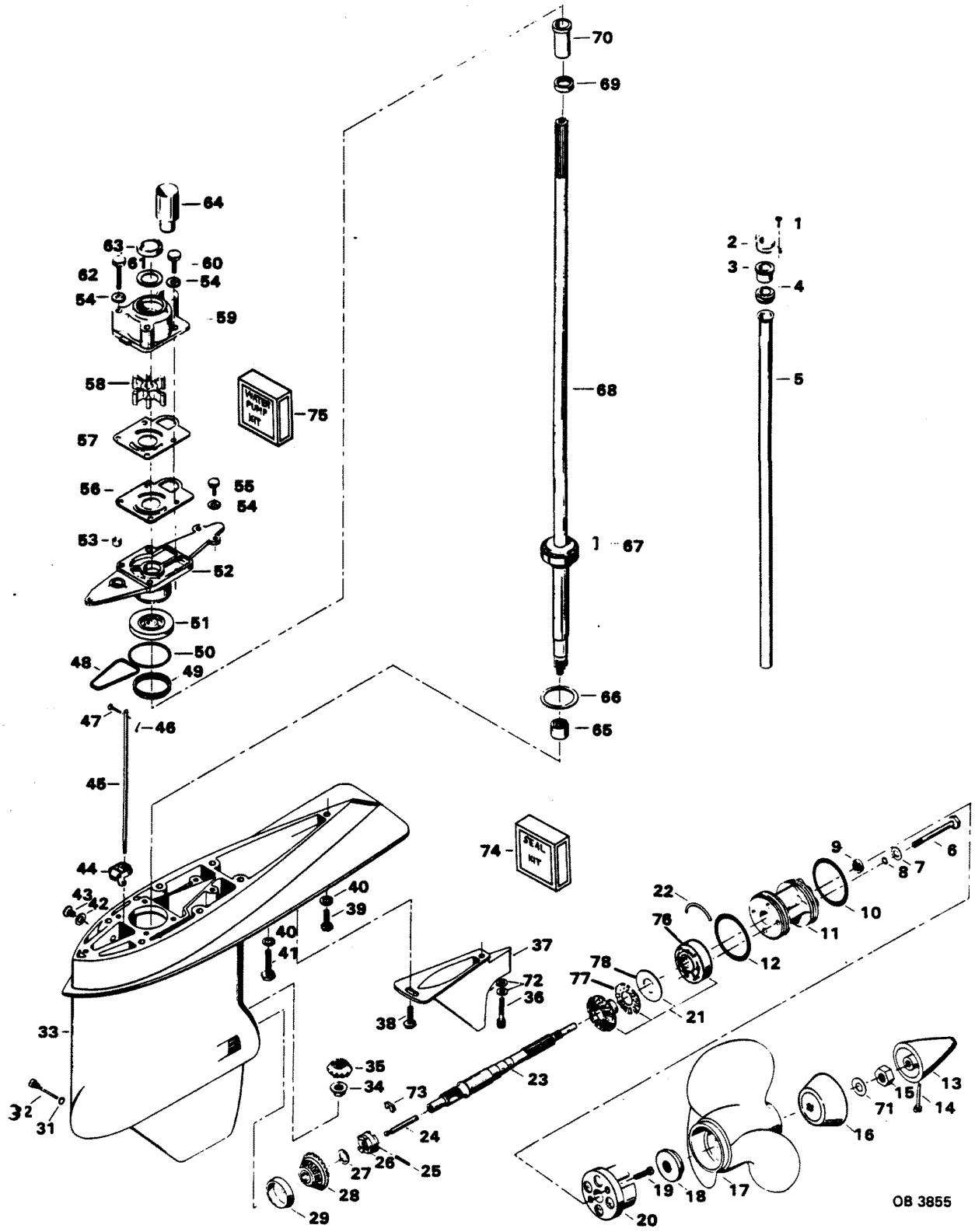


OB 3855

MOTOR LEG

REF. NO.	PART NO.	SYM.	QTY.	DESCRIPTION
55	F316599		1	SEAL, STEERING SUPPORT TUBE
56	F84286-1		4	FRICITION WASHER
58	F84011		1	WASHER
59	817783A5		1	SWIVEL BRACKET WILLUS. 47 AND 54 ORIGINAL FORCE P/N A 369072-2
62	F1744		1	SPRING PIN
63	F523280		2	NUT, STEERING SUPPORT TUBE
64	F9018		1	CAP
69	F85037-1		1	STERN BRACKET PIVOT BOLT
77	F1912		4	HEX HD SCREW, 10 - 24 X 1/2
78	F85779-1		1	BAFFLE, AIR INTAKE
79	F1703		2	SPRING LOCKWASHER
80	F1871		4	HEX HD SCREW, 3/8 - 16 X 3/4
81	F2030		6	HEX HD M. SCREW, 1/4 - 20 X 1-1/4
82	F85606		1	KINGPIN CAP
83	FA85135-4		1	LEG COVER FRONT WILLUS. 81
84	F1822		4	HEX BOLT, 5/16 - 18 X 7/8
85	F8096		4	SPRING LOCKWASHER
86	F85704		1	COUPLER, GEAR SHIFT ROD
87	F438346		1	SHOCK MOUNT LOWER
88	F85615		1	GEAR SHIFT ROD UPPER
89	F85965		2	SHOCK MOUNT UPPER
90	F2108		2	LOCK NUT
91	F1987		1	PLAIN WASHER
92	FA85355-1		2	WASHER WILLUS. 93
93	F2014		2	PLAIN WASHER
94	F439736		1	SEAL, EXHAUST TUBE

GEAR HOUSING



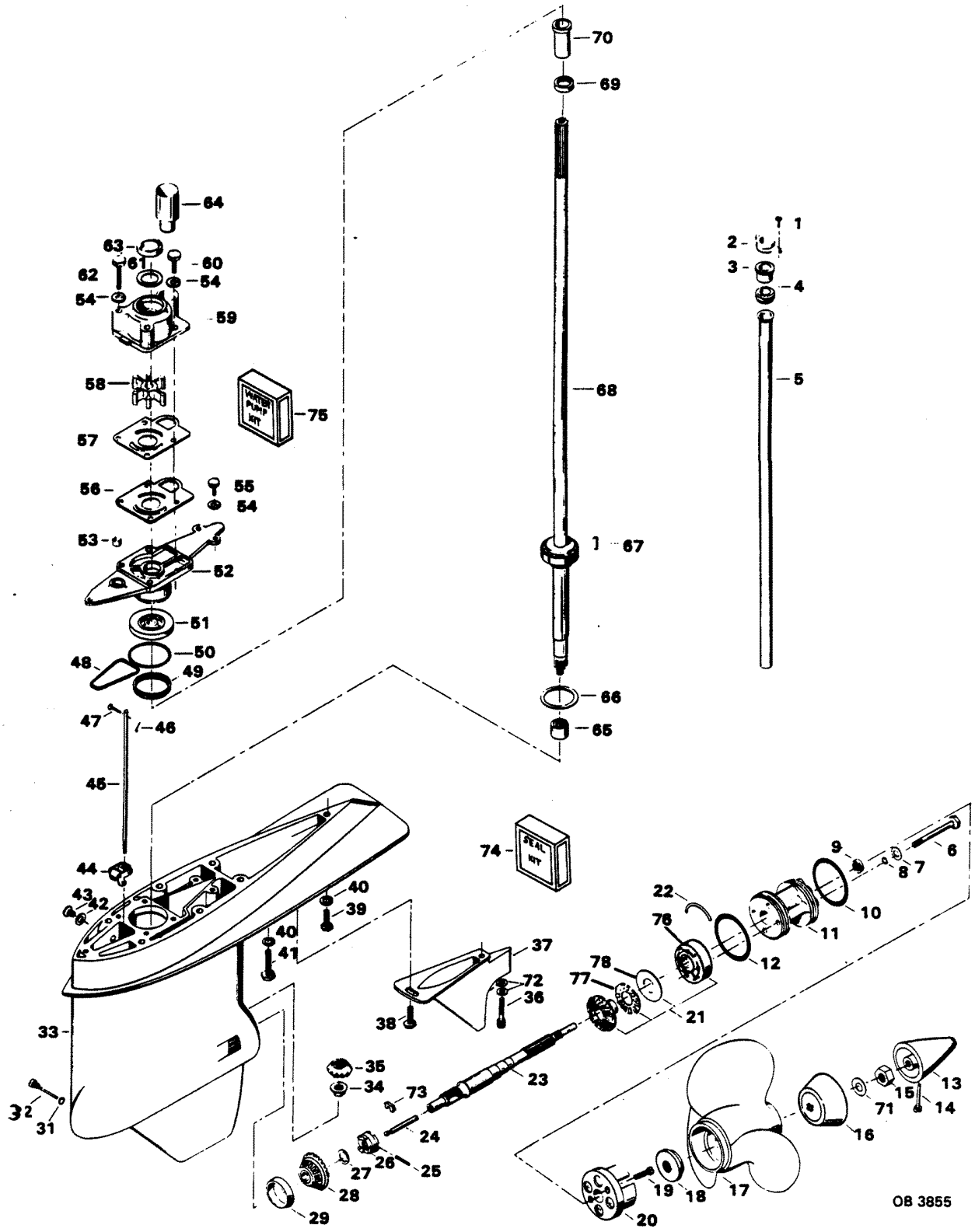
OB 3855

GEAR HOUSING

REF. NO.	PART NO.	SYM.	QTY.	DESCRIPTION
1	F1705		2	HEX CAP SCREW, 1/4 - 20 X 3/4
2	F85117		1	BRACKET, WATER LINE
3	F84342		1	SEAL, INLET WATER LINE, UPPER
4	F523899		1	GROMMET, WATER LINE
5	F523244		1	INLET WATER LINE
6	F1885		4	HEX CAP SCREW, 5/16 - 18 X 4-1/4
7	F1907		4	PLAIN WASHER
8	F50342-1		4	SEAL, O-RING
9	F506118		1	SEAL, PROPELLER SHAFT
10	F24278		1	SEAL, O-RING PROPELLER SHAFT SPOOL
11	F2A523239		1	SPOOL, PROPELLER SHAFT BEARING W/ILLUS. 9
12	F84305		1	SEAL, O-RING PROPELLER SHAFT SPOOL
13	F523094-2		1	PROPELLER NUT
14	F498891		1	PIN PROPELLER NUT RETAINING
15	F1788		1	STOP NUT
16	F5H119		1	WASHER (ACCESSORY ITEM)
17	FPS524		1	PROPELLER (ACCESSORY ITEM)
18	F523099-1		1	SPACER, PROPELLER
19	F1577		2	FILL HD SCREW, 1/4 - 20 X 3/4
20	FA523485		1	ANTI-CORROSION ANODE W/LITERATURE
21	F2A523662		1	BEVEL GEAR REAR W/BEARING CAGE SPACER AND BEARING
22	F523411		2	RETAINING RING, BEARING CAGE
23	FK523098		1	PROPELLER SHAFT
24	F84871-1		1	PIN, GEAR SHIFT
25	F1713		1	SPRING PIN
26	F84521-2		1	CLUTCH
27	F1936		A/R	SPACER, BEVEL GEAR FRONT .059
-	F1937		A/R	SPACER, BEVEL GEAR FRONT .062.
-	F1938		A/R	SPACER, BEVEL GEAR FRONT .065
-	F1939		A/R	SPACER, BEVEL GEAR FRONT .068
-	F1940		A/R	SPACER, BEVEL GEAR FRONT .071
-	F1941		A/R	SPACER, BEVEL GEAR FRONT .074
-	F1942		A/R	SPACER, BEVEL GEAR FRONT .077
-	F2113		A/R	SPACER, BEVEL GEAR FRONT .080
-	F2114		A/R	SPACER, BEVEL GEAR FRONT .083
-	F2115		A/R	SPACER, BEVEL GEAR FRONT .086
-	F2116		A/R	SPACER, BEVEL GEAR FRONT .089
-	F2121		A/R	SPACER, BEVEL GEAR FRONT .057
-	F2122		A/R	SPACER, BEVEL GEAR FRONT .054
28	43-818068A2		1	BEVEL GEAR FRONT W/BEARING
29	F523813		1	BEARING CUP
31	F498618		1	O-RING SEAL

CONTINUED ON NEXT PAGE ➡

GEAR HOUSING



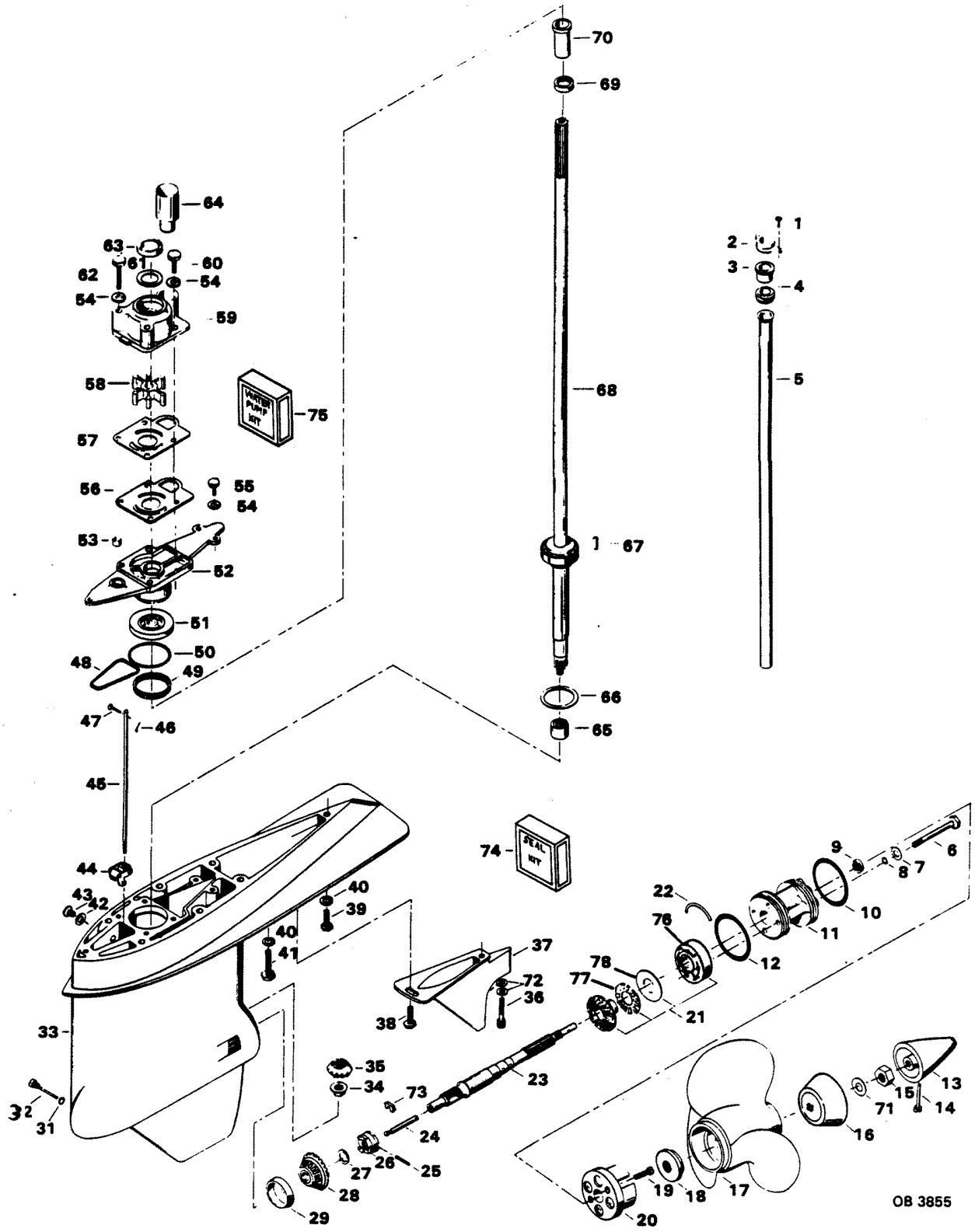
OB 3855

GEAR HOUSING

REF. NO.	PART NO.	SYM.	QTY.	DESCRIPTION
32	F498891		1	PIN, GEAR SHIFT ARM
33	FA523054		1	GEAR HOUSING W/ILLUS. 29, 30, 42, 43 AND 65
-	FC631054		1	GEAR HOUSING COMPLETE INCLUDES ALL ITEMS MARKED WITH AN ASTERISK (*). ORIGINAL FORCE P/N C 555054-1
34	F523188		1	NUT, BEVEL PINION
35	43-817854A2		1	BEVEL PINION GEAR W/ILLUS. 49 AND 53 ORIGINAL FORCE P/N A 523266-2
36	F1994		1	HEX SOCKET HD CAP SCREW, 5/16 - 18 X 1
37	F523116-1		1	EXHAUST SNOOT
38	F438930		1	RETAINER, SNOOT
39	F1858		1	HEX CAP SCREW, 5/16 - 18 X 1
40	F8096		7	SPRING LOCKWASHER
41	F1491		6	HEX HD SCREW, 5/16 - 18 X 3/4
42	F8077		3	WASHER, GEAR HOUSING PLUG
43	F50109		3	PLUG, GEAR HOUSING
44	FA84621-1		1	COUPLING, GEAR SHIFT ARM W/BUSHING
45	F523705		1	GEAR SHIFT ROD LOWER
46	F1015		1	COTTER PIN
47	F85372		1	PIN, GEAR SHIFT ROD LOWER
48	F523555		1	SEAL, O-RING, GEAR HOUSING COVER
49	F523961		1	CRUSH RING
50	F74305		1	SEAL, DRIVESHAFT BEARING CAGE
51	F506118		1	SEAL, DRIVESHAFT
52	F2A550706		1	GEAR HOUSING COVER W/ILLUS. 51 AND 53
53	F338618-1		1	SEAL, GEAR SHIFT ROD
54	F8083		7	SPRING LOCKWASHER
55	F2008		3	HEX CAP SCREW, 1/4 - 20 X 7/8
56	F523031		1	GASKET, WATER PUMP
57	F523562		1	PLATE, WATER PUMP
58	F523065-1		1	IMPELLER, WATER PUMP
59	46-817853A1		1	WATER PUMP BODY W/ILLUS. 61, 63 AND 64 ORIGINAL FORCE P/N A 523060-1
60	F1990		2	HEX CAP SCREW, 1/4 - 20 X 1 -5/8
61	F480388		1	WATER PUMP LOCATING
62	F1425		2	HEX CAP SCREW, 1/4 - 20 X 1 -5/8
63	F351307		1	SEAL, DRIVESHAFT - WATER PUMP
64	FA523735		1	SEAL, INLET WATER LINE, LOWER W/LITERATURE
65	F523057		1	BEARING, DRIVESHAFT LOWER
66	F9106		A/R	SHIM, DRIVESHAFT BEARING, UPPER .003 BRASS
-	F9095		A/R	SHIM, DRIVESHAFT BEARING, UPPER .005 SILVER
-	F9096		A/R	SHIM, DRIVESHAFT BEARING, UPPER .007 BRASS
-	F9097		A/R	SHIM, DRIVESHAFT BEARING, UPPER .010 BLACK
67	F523498		1	DRIVE KEY, WATER PUMP
68	FK616128		1	DRIVESHAFT W/ILLUS. 49 AND 66

CONTINUED ON NEXT PAGE ➡

GEAR HOUSING

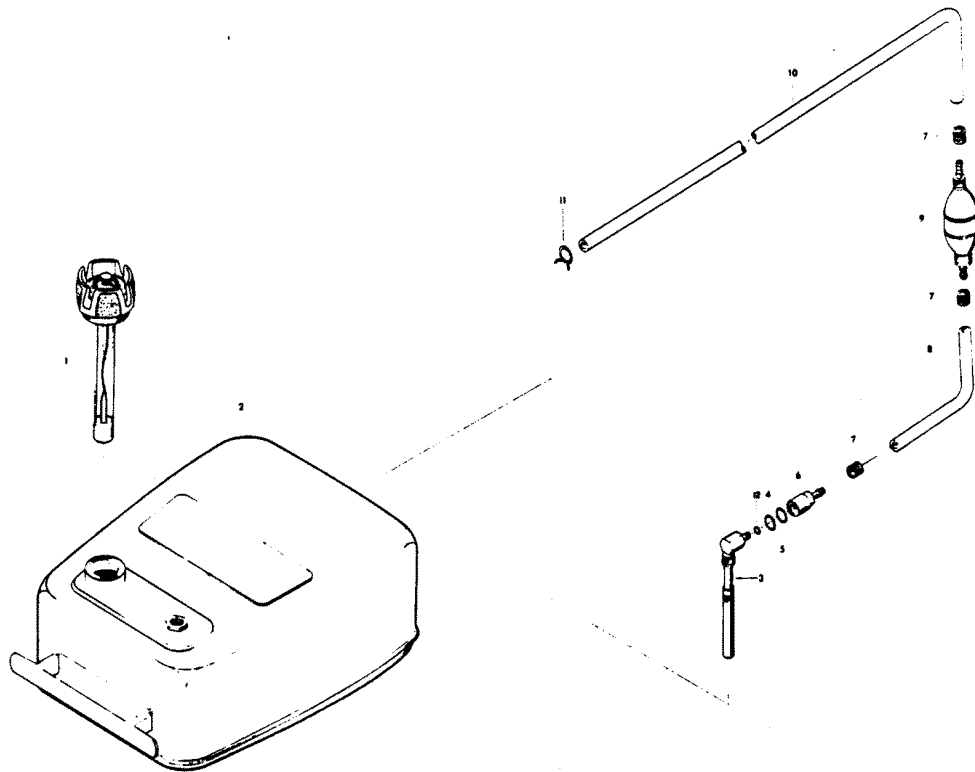


OB 3855

GEAR HOUSING

REF. NO.	PART NO.	SYM.	QTY.	DESCRIPTION
69	F438271		1	RETAINER, CRANKSHAFT SPLINE SEAL
70	F438129		1	SEAL, DRIVESHAFT SPLINE
71	F1866		1	PLAIN WASHER
72	F1856		2	PLAIN WASHER
73	F90619-2		1	YOKE
74	FK1063-2		1	SEAL KIT INCLUDES ITEMS MARKED WITH A *
-	F50342-1		4	BEARING CAGE BOLT SEAL
-	F506118		1	PROPELLER SHAFT SEAL
-	F24278		1	PROPELLER SHAFT SPOOL SEAL
-	F84305		1	PROPELLER SHAFT SPOOL SEAL
-	F498618		1	GEAR SHIFT ARM PIN SEAL
-	F8077		3	WASHER
-	F523555		1	GEAR HOUSING COVER SEAL
-	F74305		1	GEAR HOUSING COVER SEAL
-	F84307-1		1	DRIVESHAFT SEAL
-	F338618-1		1	GEAR SHIFT ROD SEAL
75	FK1069		1	WATER PUMP KIT INCLUDES ITEMS MARKED WITH A **
-	F1425		2	HEX CAP SCREW, 1/4 - 20 X 5/8
-	F1990		2	HEX CAP SCREW, 1/4 - 20 X 5/8
-	F8083		4	SPRING LOCKWASHER
-	F523031		1	GASKET, WATER PUMP
-	F523065-1		1	IMPELLER
-	F523498		1	KEY
-	F523562		1	PLATE, WATER PUMP
-	46-817853A1		1	WATER PUMP
76	FA523136		1	CAGE, REAR
77	F523901		1	BEARING, BEVEL GEAR REAR
78	F2117		A/R	SPACER, BEVEL GEAR REAR
-	F2118		A/R	SPACER, BEVEL GEAR REAR
-	F2119		A/R	SPACER, BEVEL GEAR REAR
-	F2120		A/R	SPACER, BEVEL GEAR REAR

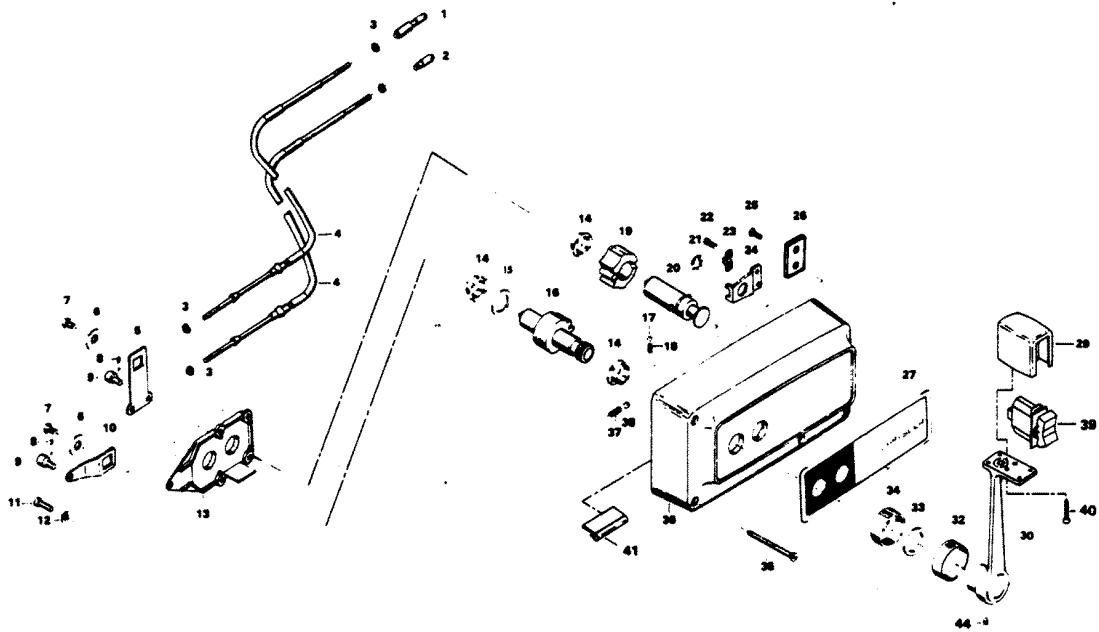
FUEL TANK AND LINE



FUEL TANK AND LINE

REF. NO.	PART NO.	SYM.	QTY.	DESCRIPTION
1	F409251-1		1	GAUGE CAP
2	F5H026		1	FUEL TANK (ACCESSORY ITEM)
3	F485755-1		1	FUEL TANK ADAPTER
4	F17816		1	SEAL, FUEL LINE COUPLER (LARGE)
5	F17815		1	SEAL, FUEL LINE COUPLER (SMALL)
6	F197787-3		1	FUEL LINE COUPLER
7	F298788		3	FERRULE
8	FA84754-1		1	FUEL LINE SHORT W/ILLUS. 7
9	89396A38		1	PRIME BULB
10	32-817738A1		1	FUEL LINE LONG W/ILLUS. 7 AND 11 ORIGINAL FORCE P/N A 197752-1
11	F97772		1	FUEL LINE CLAMP
12	F17817		1	SEAL, FUEL LINE COUPLER
-	FS409752		1	FUEL LINE, COMPLETE
-	FC409398		1	DECAL, TOTE TANK - CANADA (NOT SHOWN)

REMOTE CONTROL

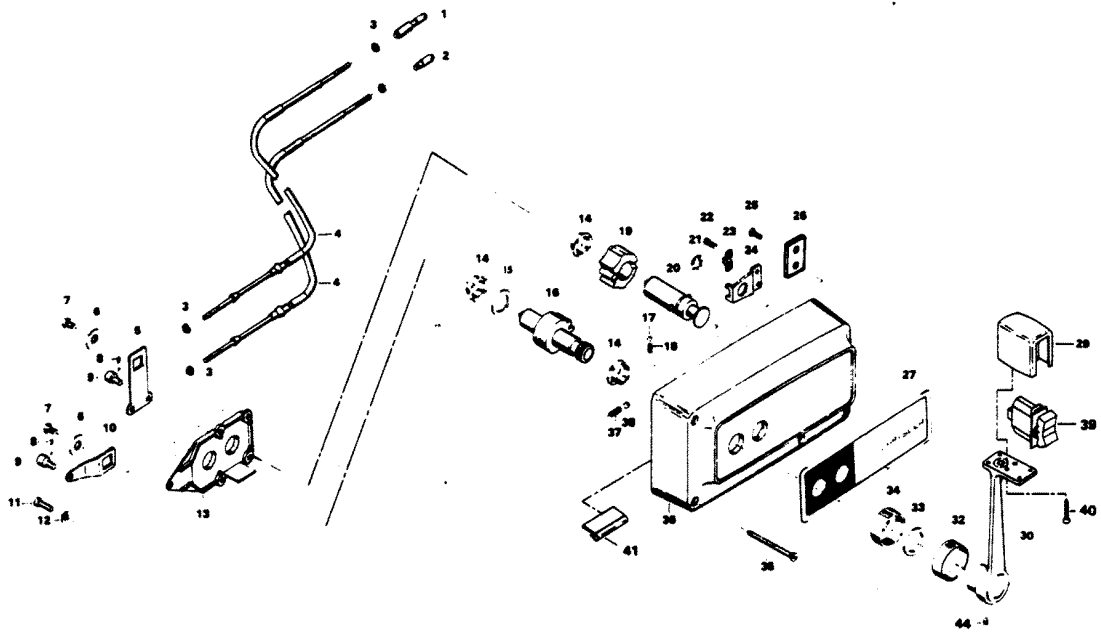


REMOTE CONTROL

REF. NO.	PART NO.	SYM.	QTY.	DESCRIPTION
1	FA58976-1		1	CONNECTOR, THROTTLE CABLE
2	F58685-2		1	CONNECTOR, SHIFT CABLE
3	F1513		4	HEX NUT
4	F195/___		1	REMOTE CONTROL CABLE (SPECIFY LENGTH) ACCESSORY ITEM (2 PER SET)
5	F17019		1	CLUTCH ARM
6	F17036		2	INTERNAL TOOTH LOCKWASHER
7	F17155		2	HEX BOLT, 1/4 - 28 X 1/2
8	F17149		2	COTTER PIN
9	F17016		2	CABLE TERMINAL
10	F17014		1	THROTTLE ARM
11	F17013		2	FILL HD SCREW, 1/4 - 20 X 1/2
12	F8061		2	INTERNAL TOOTH LOCKWASHER
13	F17012		1	RETAINING PLATE
14	F17009		3	BEARING
15	F17011		1	BOWED WASHER
16	F17010-1		1	THROTTLE GEAR
17	F17111		1	DETENT BALL
18	F17006		1	DETENT SPRING
19	F17021		1	CLUTCH GEAR
20	F17100		1	CLUTCH SHAFT
21	F17092		1	SNAP RING
22	F17071		2	FILL HD SCREW, 10 - 24 X 5/16
23	F154317		1	CABLE CLAMP
24	F17026		1	SWIVEL
25	F17141		2	ROUND HD SCREW, 10 - 24 X 3/8
26	F17153		1	RETAINER PLATE
27	F580892		1	DECAL, STARBOARD
-	F581892		1	DECAL, PORT
29	F448543		1	KNOB
30	F448611-1		1	LEVER
32	F449894		1	INDICATOR, STARBOARD
-	F448894		1	INDICATOR, PORT
33	F17105		1	FELT WASHER
34	F17106		1	COLLAR
35	F17154		3	WOOD SCREW
36	F17099-1		1	HOUSING
37	F17157		1	DETENT SPRING
38	F17082-1		1	DETENT BALL
39	F455449		1	SWITCH, TRIM
40	F1461		2	SCREW #6 X 7/8
41	F448446		1	CLAMP, TRIM SWITCH CABLE

CONTINUED ON NEXT PAGE ➡

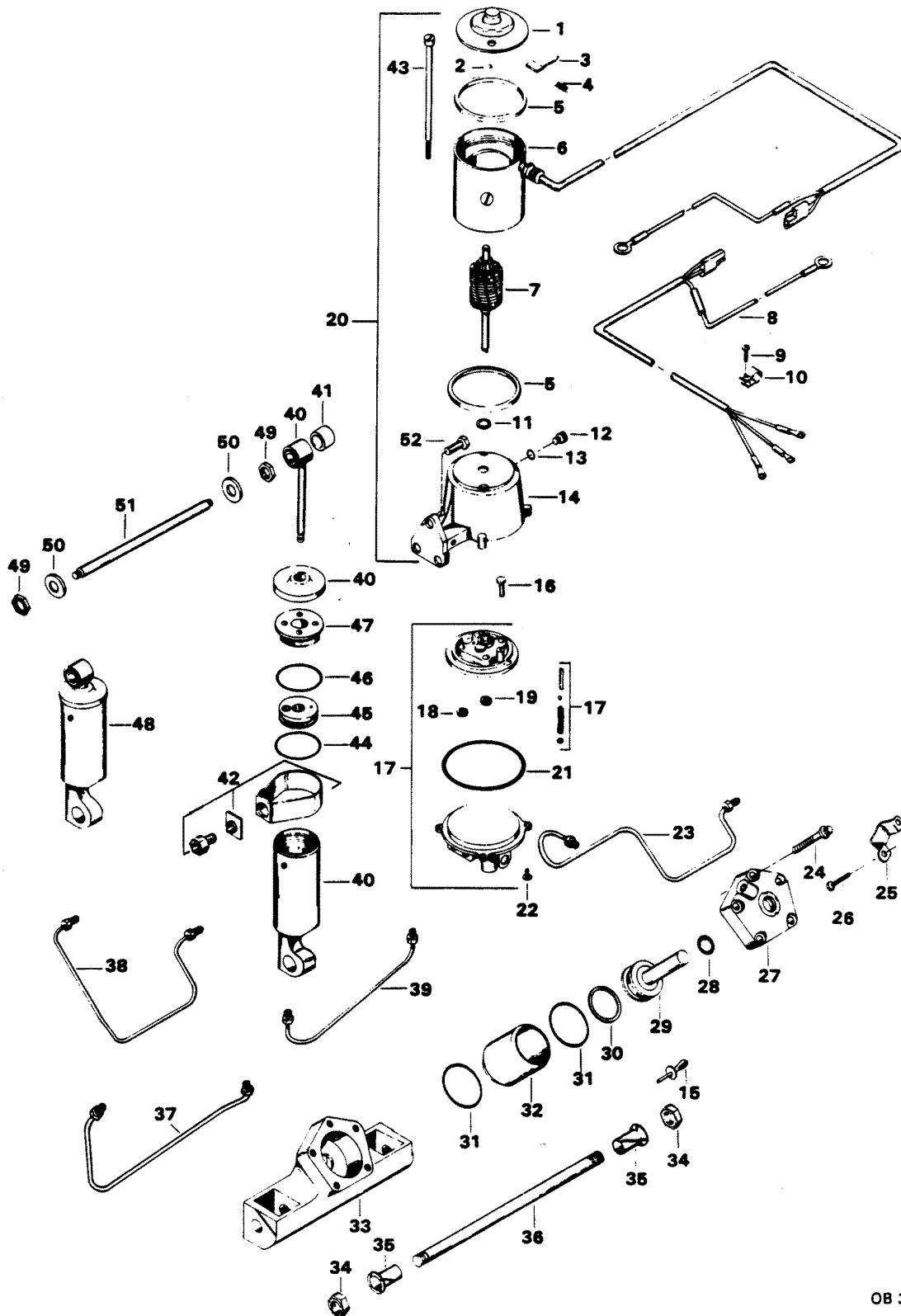
REMOTE CONTROL



REMOTE CONTROL

REF. NO.	PART NO.	SYM.	QTY.	DESCRIPTION
42	F1280		3	PAN HD SCREW 8 - 32 X 1/4
44	F455690		1	SET SCREW
46	F1280		2	PAN HD SCREW, 8 - 32 X 1/4 (TERMINAL BOARD) (NOT SHOWN)
-	OB3876		1	LITERATURE (NOT SHOWN) INSTALLATION ILLUSTRATIONS
-	FK17156		1	BAG ASSEMBLY (NOT SHOWN) INCLUDES ALL ITEMS MARKED WITH AN ASTERISK (*).

POWER TRIM UNIT



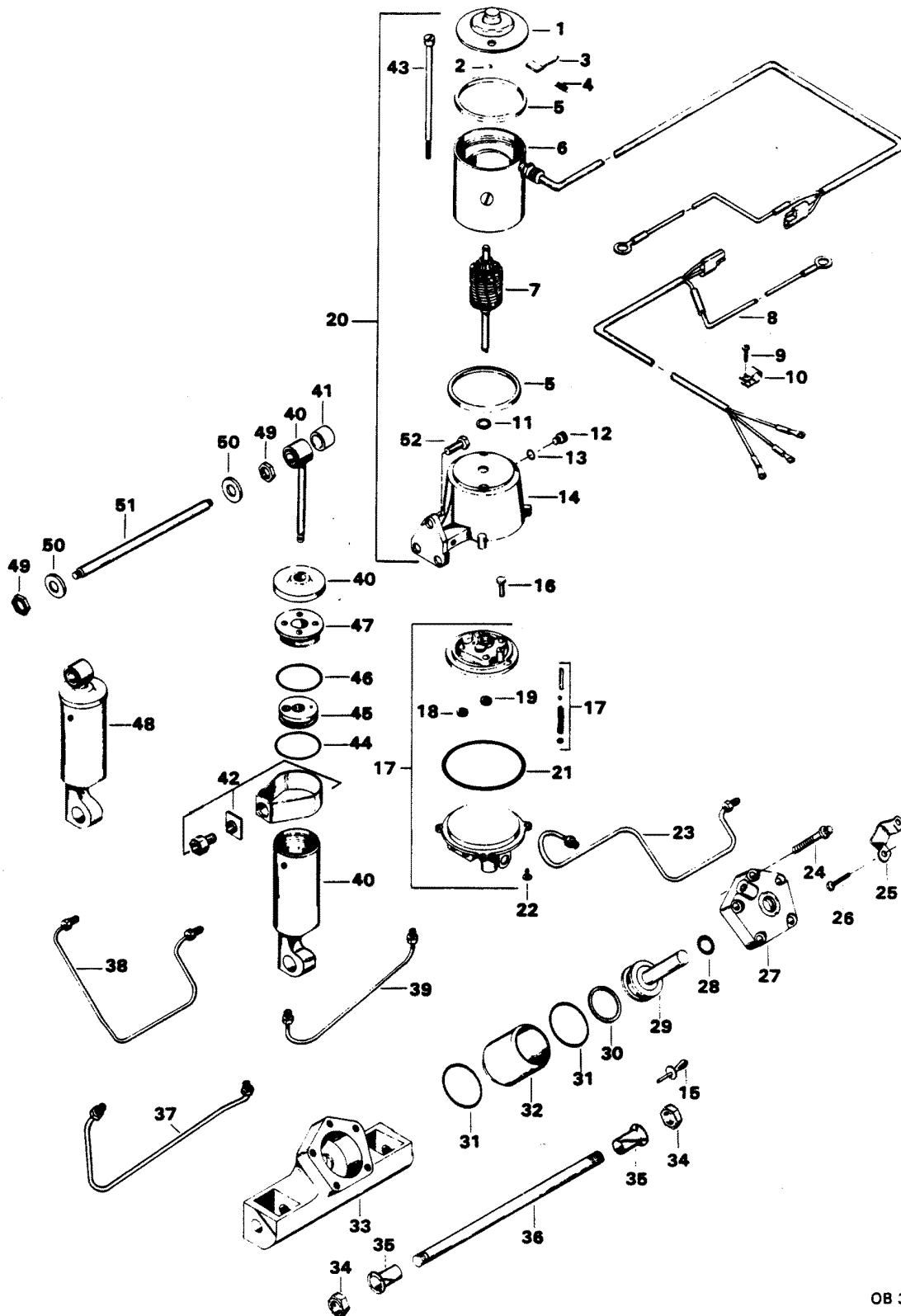
OB 3855

POWER TRIM UNIT

REF. NO.	PART NO.	SYM.	QTY.	DESCRIPTION
1	F17543		1	HEAD ASSEMBLY, COMMUTATOR END
2	F17539		1	BALL
3	F17504		1	BRUSH SET
4	F17500		1	SPRING SET
5	F17557		2	GASKET
6	F17556		1	FIELD AND FRAME ASSEMBLY
7	F17555		1	ARMATURE
8	F500843		1	CABLE
9	F1741		2	THREAD FORMING SCREW, 8 X 3/4
10	F178446		2	CLAMP
11	F17508		A/R	THRUST WASHER
12	F17518		1	FILLER CAP
13	F17510		1	O-RING
14	F17505		1	RESERVOIR AND BRACKET W/SEAL
15	F1966		1	PLUG, SWIVEL BRACKET
16	F1203		1	HEX CAP SCREW, 1/4 - 20 X 7/8
17	F17564		1	VALVE BODY AND PUMP W/ILLUS. 16, 18, 19 AND 21
18	F17566		1	IDLE GEAR
19	F17565		1	DRIVE GEAR
20	F17563		1	MOTOR AND RESERVOIR ASSEMBLY
21	F17522		1	O-RING
22	F1310		4	ROUND HD SCREW, 10 - 24 X 5/8
23	F449254		1	HYDRAULIC LINE, TRIM CYLINDER, UPPER
24	F1959		5	SCREW, 1/4 - 20 X 1-3/4, STAINLESS STEEL
25	F449354		1	THRUST BRACKET
26	F1734		2	FILL HD MOUNTING SCREW AND LOCKWASHER, 1/4 - 20 X 1/2
27	FA449149		1	COVER ASSEMBLY W/SEALS AND RETAINER
28	F449342		1	SEAL, PISTON SHAFT
29	FA449015		1	PISTON
30	F449278		1	PISTON SEAL
31	F40278		2	SEAL, CYLINDER
32	F449010		1	CYLINDER
33	F449545-2		1	CYLINDER HOUSING
34	F1963		2	ELASTIC STOP NUT, 5/8 - 18
35	F449362		2	BEARING
36	F449632		1	SHAFT
37	F449253-1		1	HYDRAULIC LINE, TRIM CYLINDER, LOWER
38	F449758		1	HYDRAULIC LINE, LIFT CYLINDER, UPPER
39	F449754-1		1	HYDRAULIC LINE, LIFT CYLINDER, LOWER
40	FA17559		1	LIFT CYLINDER COMPLETE W/ILLUS. 41
41	F178344		1	BUSHING
42	F17577		1	ADAPTER FITTING PACKAGE

CONTINUED ON NEXT PAGE ➡

POWER TRIM UNIT



OB 3855

POWER TRIM UNIT

REF. NO.	PART NO.	SYM.	QTY.	DESCRIPTION
43	F17558		1	THRU-BOLT PACKAGE
-	F1877		2	TY-RAP (NOT SHOWN)
44	FA17561-1		1	O-RING W/LITERATURE
45	F17562-1		1	PISTON ASSEMBLY
46	F17528		1	O-RING
47	F17560		1	HEAD ASSEMBLY
48	FA178962		1	SHOCK ABSORBER W/ILLUS. 41
49	F1931		2	STOP NUT, 1/2 - 20, STAINLESS STEEL
50	F1960		2	PLAIN WASHER
51	F449889		1	SHAFT, UPPER
52	F1822		3	SCREW, 5/16 - 18 X 7/8, STAINLESS STEEL
53	FK1083		1	SEAL KIT INCLUDES ITEMS MARKED WITH AN ASTERISK (*) .

SPECIAL TOOLS - TUNE-UP

REF. NO.	PART NO.	SYM.	QTY.	DESCRIPTION
-	FT8948-1		0	PULLER TO REMOVE FLYWHEEL.
-	FTA2937-1		0	TIMING TOOL TO ADJUST TIMING POINTER.
-	FT8978		0	POWER TIMING LIGHT FOR ADJUSTMENT OF ENGINE TIMING.
-	FT2951		0	CIRCUIT TRACER TO TROUBLESHOOT ELECTRICAL SYSTEM.
-	FT2938-1		0	BATTERY POWERED TEST LIGHT TO CHECK FOR CONTINUITY.

SPECIAL TOOLS - POWER HEAD

REF. NO.	PART NO.	SYM.	QTY.	DESCRIPTION
-	FT8914		0	SEAL REMOVER TO REMOVE UPPER CRANKSHAFT BEARING CAGE SEAL.
-	FT8927		0	SEAL PROTECTOR TO INSTALL UPPER CRANKSHAFT BEARING CAGE.
-	FT8907		0	DRIVE HANDLE USED WITH T 8903.
-	FT8925		0	SEAL INSTALLER TO INSTALL LOWER CRANKSHAFT SEAL.
-	FT2953		0	SOCKET TO TORQUE CONNECTING ROD SCREWS.
-	FT2990		0	PISTON PIN TOOL TO REMOVE AND INSTALL PISTON PINS.
-	FTA8994		0	PISTON PIN TOOL USE WITH T 2990.
-	FT2996		0	RING COMPRESSOR TO INSTALL PISTON IN CYLINDER.
-	FT8926		0	RING EXPANDER TO INSTALL PISTON RINGS.
-	FT8903		0	SEAL INSTALLER TO INSTALL UPPER CRANKSHAFT BEARING CAGE SEAL.
-	FT1082		0	SNAP RING PLIER TO REMOVE AND INSTALL DISTRIBUTOR RETAINING RING.
-	FT8933		0	LIFTING HOOK TO LIFT ENGINE.
-	FT2998		0	TORQUE WRENCH TO PROPERLY TIGHTEN FASTENERS.
-	FT2999		0	TORQUE WRENCH TO PROPERLY TIGHTEN FASTENERS.
-	FT2991		0	CARBON BRUSH TO REMOVE CARBON FROM INSIDE ENGINE.
-	FT8900		0	HOSE CLAMP PLIERS TO REMOVE AND INSTALL FUEL HOSE CLAMPS.

SPECIAL TOOLS - GEAR HOUSING

REF. NO.	PART NO.	SYM.	QTY.	DESCRIPTION
-	FT8948-1		0	PULLER TO REMOVE SPOOL FROM GEAR HOUSING.
-	FT8985		0	SEAL INSTALLER TO INSTALL PROPELLER SHAFT SEAL IN PROPELLER SHAFT BEARING SPOOL.
-	FT8925		0	SEAL INSTALLER TO INSTALL DRIVESHAFT SEAL IN GEAR HOUSING COVER.
-	FT8907		0	DRIVER HANDLE TO INSTALL BEARING CUPS AND SEALS.
-	FT8901		0	INDICATOR HOLDER USED IN CONJUNCTION WITH T 8997.
-	FT8902		0	DIAL INDICATOR USED IN CONJUNCTION WITH T 8997.
-	FT8919		0	SPRING PIN PUNCH TO REMOVE CLUTCH SPRING PIN.
-	FT8957		0	SEAL INSTALLER TO INSTALL SHIFT ROD SEAL.
-	FT8997		0	SHIMMING TOOL TO SHIM LOWER UNIT.
-	FT8918		0	BEARING GUIDE SET TO REMOVE FORWARD BEARING CUP IN GEAR HOUSING.
-	FT11209		0	BEARING GUIDE SET USE WITH T 8918.
-	FT11207		0	BEARING CUP REMOVER TO REMOVE FORWARD BEARING CUP IN GEAR HOUSING.
-	FT11204		0	BEARING CUP INSTALLER TO INSTALL FORWARD BEARING CUP IN GEAR HOUSING.
-	FT3012		0	SEAL INSTALLER TO INSTALL WATER PUMP SEAL.
-	FT11205		0	BEARING INSTALLER/REMOVER TO INSTALL AND REMOVE LOWER DRIVESHAFT BEARING IN GEAR HOUSING.
-	FT7848		0	TORQUING ADAPTER HOLD DRIVESHAFT WHILE INSTALLING OR REMOVING PINION NUT.

SPECIAL TOOLS - TEST EQUIPMENT

REF. NO.	PART NO.	SYM.	QTY.	DESCRIPTION
-	FT8950		0	LEAKAGE TESTER TO TEST LOWER UNIT SEALS FOR LEAKAGE.
-	FTK8999		0	TEST WHEEL TO TEST MOTOR IN TEST TANK. ORIGINAL FORCE P/N TA 8999
-	FT8953		0	IGNITION TESTER TO TEST OUTPUT OF C-D UNIT.

SPECIAL TOOLS - LUBRICANTS AND SEALANTS

REF. NO.	PART NO.	SYM.	QTY.	DESCRIPTION
-	FT2961		0	LUBRICANT - RYKON GREASE #2EP
-	FT2987-1		0	LUBRICANT - ANTI-SEIZE
-	FT8969		0	LUBRICANT - 7 OZ. LPSI LUBRICANT
-	FT8955		0	SEALANT - 5 OZ. EC-750 INDUSTRIAL SEALANT
-	FT8983		0	SEALANT - 3 OZ. RTV SEALANT FROM IN PLACE GASKETS
-	FT8936-1		0	SEALANT - 2 CC LOCTITE RETAINING COMPOUND #75
-	FT2962-1		0	SEALANT - 50 CC LOCTITE H, NON-HARDENING GRADE
-	FT2963-2		0	SEALANT - 2 OZ. LOCTITE D, HARDENING GRADE
-	FT8935		0	SEALANT PRIMER - 6 OZ.

ACCESSORIES

REF. NO.	PART NO.	SYM.	QTY.	DESCRIPTION
-	F5H173		0	FLUSHING ADAPTER PERMITS FRESH WATER FLUSHING OF WATER PASSAGES WITH STANDARD GARDEN HOSE.
-	F5H130		0	REMOTE CONTROL BOX (SINGLE LEVER) (SURFACE MOUNT) PERMITS REMOTE CONTROL OF THROTTLE AND GEAR SHIFT FROM STARBOARD SIDE OF BOAT.
-	F5H120		0	REMOTE CONTROL BACK PLATE PROTECTS CONTROL MECHANISM FROM PADDED BOAT SURFACES.
-	F5H131		0	PORT SIDE DECAL KIT CONVERTS 5H130 CONTROL BOX TO PORT SIDE MOUNTING.
-	F590		0	REMOTE CONTROL HEAD (SINGLE LEVER) FLUSH MOUNT CONTROL UNIT PERMITS REMOTE CONTROL OF THROTTLE AND GEAR SHIFT. MAYBE MOUNTED ON PORT OR STARBOARD SIDE OF BOAT.
-	865		0	TWIN REMOTE CONTROL BOX PERMITS REMOTE CONTROL OF THROTTLE, AND GEAR SHIFT ON TWIN ENGINE INSTALLATIONS. MAYBE MOUNTED ON PORT OR STARBOARD SIDE OF BOAT.
-	F5H079		0	REMOTE CONTROL BOX FOR MOUNTING ON CONSOLE OF BOAT.
-	F5H080		0	TWIN REMOTE CONTROL BOX FOR MOUNTING ON CONSOLE OF BOAT.
-	F195/___		0	REMOTE CONTROL CABLES CONNECTS REMOTE CONTROL BOX TO THROTTLE AND GEAR SHIFT ON ENGINE. AVAILABLE IN 6 THROUGH 40 FOOT LENGTHS.
-	F5H108		0	STEERING CONNECTOR CLEVIS TYPE FOR BOAT MOUNTED STEERING AND NON-THREADED CABLE END.
-	F5H018		0	DUAL ENGINE TIE BAR PERMITS DUAL ENGINE INSTALLATIONS.
-	F5H094		0	STEERING LINK CONNECTS ENGINE TO REMOTE STEERING CABLE.
-	F5H026		0	STEEL, 6 GALLON FUEL TANK (LOW PROFILE) AUXILIARY TANK.
-	F5H029		0	TANK ANCHOR SECURES 5H026 TO BOAT.
-	F5H040		0	STEEL, 12 GALLON FUEL TANK AUXILIARY TANK.
-	F5H019		0	ANTI-CORROSION KIT ELECTRICAL KIT FOR MOUNTING ON BOAT (12V) TO REDUCE CORROSION.
-	F5H025		0	ANTI-CORROSION SACRIFICIAL ANODE KIT USED TO REDUCE CORROSION.
-	F5H043		0	OVERHEAT BUZZER SOUNDS WARNING BUZZER IF ENGINE OVERHEATS.
-	F5H161		0	POWER TRIM INDICATOR INDICATES ENGINE TRIM ANGLE. (FLUSH MOUNT).
-	F5H134		0	BOAT WHITE LACQUER ENGINE TOUCH-UP PAINT IN 12-3/4 OZ. SPRAY BOMBS (6 CANS PER CASE).
-	F5H081		0	BATTERY CABLE LONGER LENGTH - 15 FEET.
-	F5H157		0	VOLTMETER - FLUSH MOUNT INDICATES BATTERY CONDITION.
-	F5H159		0	HOURMETER - FLUSH MOUNT RECORDS ENGINE RUNNING TIME.

CONTINUED ON NEXT PAGE ➡

ACCESSORIES

REF. NO.	PART NO.	SYM.	QTY.	DESCRIPTION
-	F5H119		0	PROPELLER SPACER - FLARED REDUCES PROPELLER VENTILATION ON SOME BOAT APPLICATIONS.
-	F5H069		0	RFI SUPPRESSION KIT PROVIDES RADIO NOISE SUPPRESSION.
-	F71H26		0	BATTERY TERMINAL KIT FOR POSITIVE AND NEGATIVE BATTERY POSTS.
-	F5H021		0	EXTENSION CABLE FOR LENGTHENING BATTERY CABLE 6-1/2 FEET.
-	F5H037		0	CIGAR LIGHTER FOR USE AS CONVENIENCE OUTLET.
-	5H158		0	FUEL GAUGE FLUSH MOUNT MONITORS FUEL SUPPLY.
-	F5H077		0	IGNITION KEY SWITCH SHORT BARREL WITH KEYS.
-	F5H078		0	IGNITION KEY SWITCH LONG BARREL WITH KEYS.
-	F762		0	REMOTE ELECTRIC CABLE 25 FOOT CABLE FOR LARGE BOATS.
-	F5H115		0	TRAILERING TILT LOCK SECURES ENGINE IN HALF-TILT POSITION FOR TRAILERING.
-	F5H146		0	POWER TILT TILTS ENGINES FOR BEACHING.
-	F5H132		0	REMOTE CONTROL HANDLE TRIM SWITCH FOR CONVENIENT OPERATION OF POWER TRIM.
-	F5H070		0	REMOTE ELECTRIC CABLE 21 FOOT CABLE FOR LARGE BOATS.
-	F5H028		0	SENDING UNIT FOR USE WITH FUEL GAUGE.
-	F5H156		0	TEMPERATURE GAUGE - FLUSH MOUNT MONITORS ENGINE TEMPERATURE. DO NOT USE TEMPERATURE GAUGE AND HEAT LAMP IN SAME INSTALLATION.
-	F5H153		0	TACHOMETER FLUSH MOUNT MONITORS ENGINE R.P.M. TO PROVIDE CHECK OF ENGINE PERFORMANCE.
-	F5H150		0	POWER TRIM ADJUSTS ENGINE TRIM AND TILTS ENGINE.
-	F5H154		0	SPEEDOMETER FLUSH MOUNT MONITORS BOAT SPEED (10-50 M.P.H.)
-	F5H155		0	SPEEDOMETER - FLUSH MOUNT MONITORS BOAT SPEED (10-65 M.P.H.)
-	F5H076		0	SWITCH EXTENSION CABLE 5 FOOT LONG SWITCH WIRING HARNESS.
-	F5H030		0	SWITCH KIT - RUNNING LIGHTS DASH MOUNTED TOGGLE SWITCH
-	F5H031		0	SWITCH KIT - SPOT LIGHT DASH MOUNTED TOGGLE SWITCH
-	F5H032		0	SWITCH KIT - WIPER DASH MOUNTED TOGGLE SWITCH
-	F5H034		0	SWITCH KIT - BILGE PUMP DASH MOUNTED TOGGLE SWITCH
-	F5H035		0	SWITCH KIT - HORN DASH MOUNTED TOGGLE SWITCH
-	F5H039		0	SWITCH KIT - INSTRUMENT LIGHTS DASH MOUNTED TOGGLE SWITCH
-	F5H036		0	SWITCH KIT - TACHOMETER TRANSFER FOR ONE TACHOMETER ON DUAL ENGINE INSTALLATION.
-	F5H038		0	SWITCH KIT - IGNITION SWITCH TO MOUNT IGNITION SWITCH IN DASH.

CONTINUED ON NEXT PAGE ➡

ACCESSORIES

REF. NO.	PART NO.	SYM.	QTY.	DESCRIPTION
-	F563		0	TERMINAL BLOCK KIT DOUBLE ROW 10 SECTION, TO SIMPLIFY ACCESSORY INSTALLATION.
-	F5H075		0	WIRING HARNESS - IGNITION SWITCH - 24" USE WITH 563 TERMINAL BLOCK.
-	F596		0	CHRYSLER OUTBOARD OIL SEE BLOCK COMMENT 1.
-	F597		0	CHRYSLER OUTBOARD GEAR LUBE SEE BLOCK COMMENT 2.
-	F5H059		0	CHRYSLER OUTBOARD MULTI-PURPOSE GREASE LUBRICATES BEARINGS AND OTHER MOVING PARTS. AVAILABLE IN 8 OZ. TUBES AND 12 TUBE CASES.
-	F5H060		0	CHRYSLER OUTBOARD GREASE GUN

PARTS INDEX

Part Number	Description	Pg.	Ref. No.	Part Number	Description	Pg.	Ref. No.
5H158	FUEL GAUGE FLUSH MOUNT	58	-	F14021-1	CAP SEAL	13	36
817747--1	BALL JOINT W/STUD	21	23	F14024	SPACER	15	42
817747--1	BALL JOINT W/STUD	25	27	F14025	SPACER	13	4
817783A5	SWIVEL BRACKET	35	59	F14028	THRUST WASHER	13	5
817786A1	DISTRIBUTOR PULLEY	13	3	F14029	THRUST WASHER	13	7
817788A3	SPACER PLATE	27	73	F14030	CAP GASKET	13	38
817828A1	DISTRIBUTOR, COMPLETE	13	-	F14036	SWIVEL	13	13
817892--1	PLATE, IGNITION SWITCH - CANADA (NOT SHOWN)	9	-	F14037	CAP CLIPS	13	14
865	TWIN REMOTE CONTROL BOX	57	-	F14038	CAP CLIP SCREWS	13	15
89396A38	PRIME BULB	43	9	F14040	VENT	13	35
C523227	SPARK PLUG (CHAMPION QL-76V) - CANADA	29	-	F14041	EXTERNAL TOOTH LOCKWASHER	13	23
F05323	FUEL BOWL RETAINING SCREW GASKET	17	21	F14042	DISTRIBUTOR HOUSING W/BEARINGS	13	12
F1009	HEX HD SCREW, 3/8 - 16 X 2-3/4	25	5	F14044	DISTRIBUTOR SHAFT	15	40
F1014	COTTER PIN	17	11	F14045	SCREW	13	16
F1015	COTTER PIN	39	46	F14046	TERMINAL SCREW	13	19
F1034	PAN HD SCREW, 1/4 - 20 X 1-3/8	17	33	F14047	TERMINAL INSULATOR (INSIDE)	13	20
F1052	FILL HD SCREW, 1/4 - 20 X 1	25	30	F14049	TERMINAL INSULATOR (OUTSIDE)	13	22
F1059	FILL HD SCREW, 6 - 32 X 1/4	17	15	F14056	SCREW	15	46
F1064	FILL HD SCREW, 8 - 32 X 3/8	17	37	F1425	HEX CAP SCREW, 1/4 - 20 X 1 -5/8	39	62
F1087	FILL HD SCREW, 10 - 24 X 13/16	7	2	F1425	HEX CAP SCREW, 1/4 - 20 X 5/8	41	-
F1107	SLOTTED FILL HD CAP SCREW, 1/4	29	95	F1461	SCREW #6 X 7/8	45	40
F1108	FILL HD SCREW, 1/4 - 20 X 3/4	21	13	F1473	HEX NUT, 10 - 24	3	33
F1203	HEX CAP SCREW, 1/4 - 20 X 7/8	49	16	F1475	FILL HD SCREW, 10 - 24 X 1/2	25	25
F1236	SCREW, 1/4 - 20 X 1/2	21	22	F1491	HEX HD SCREW, 5/16 - 18 X 3/4	39	41
F1253	HEX SOCKET HD CAP SCREW, 3/8 - 16 X 2	25	11	F1504	FILL HD SCREW, 1/4	29	94
F1263	HEX SOCKET HD CAP SCREW, 5/16 - 18 X 9/16	33	11	F1504	FILL HD SCREW, 1/4 - 20 X 1-1/4	25	15
F1280	PAN HD SCREW	33	20	F1513	HEX NUT	7	18
F1280	PAN HD SCREW 8 - 32 X 1/4	45	42	F1513	HEX NUT	45	3
F1280	PAN HD SCREW, 8 - 32 X 1/4	7	33	F1513	HEX NUT, 10 - 32	21	27
F1280	PAN HD SCREW, 8 - 32 X 1/4 (TERMINAL BOARD) (NOT SHOWN)	47	46	F1513	HEX NUT, 10 - 32	27	44
F1286	PAN HD SCREW, 4 - 40 X 3/16	25	39	F1515	HEX NUT	7	24
F1310	ROUND HD SCREW, 10 - 24 X 5/8	49	22	F15152	LOCKWASHER	11	18
F1341	HEX NUT, 1/4 - 20	25	29	F15158	SCREW, BRUSH HOLDER	11	15
F1341	NUT	11	19	F15160	INSULATOR WASHER	11	16
F1346	HEX NUT	21	29	F15161	PLAIN WASHER	11	17
F1346	HEX NUT	33	33	F15162	NUT	11	20
F14005-2	CAP BASE	13	37	F15164	BRUSH KIT*	11	7
F14007	CAP SCREW	13	33	F15174	DRIVE KIT*	11	1
F14010-1	CAP COVER	13	34	F15175	DRIVE ASSEMBLY, PINION*	11	2
F14012-1	BRUSH	15	39	F15176	CAP STARTER DRIVE*	11	3
F14015	CAP CLIP RIVET	13	21	F15177	ARMATURE*	11	4
F14017	TERMINAL INSULATOR (OUTSIDE)	15	45	F15178	THRU BOLT PACKAGE*	11	5
				F15179	COMMUTATOR*	11	6
				F1532	HEX HD SCREW, 1/4 - 20 X 1	21	20
				F1532	HEX HD SCREW, 1/4 - 20 X 1	25	35
				F1532	HEX HD SCREW, 1/4 - 20 X 1	29	109
				F154317	CABLE CLAMP	45	23
				F154758	HOSE (FUEL PUMP UPPER)	23	53
				F1556	FILL HD SCREW W/LOCKWASHER, 10 - 24 X 3/8	25	31

PARTS INDEX

Part Number	Description	Pg.	Ref. No.	Part Number	Description	Pg.	Ref. No.
F1577	FILL HD SCREW, 1/4 - 20 X 3/4	37	19	F17149	COTTER PIN	45	8
F1593	HEX HD SCREW, 3/8 - 16 X 3	33	30	F17153	RETAINER PLATE	45	26
F1612	HEX CAP SCREW, 3/8 - 16 X 1-1/4	13	8	F17154	WOOD SCREW	45	35
F1641	LOCK NUT	11	8	F17155	HEX BOLT, 1/4 - 28 X 1/2	45	7
F1645	RD HD SCREW, 6 - 32 X 1/4	7	27	F17157	DETENT SPRING	45	37
F1645	RD HD SCREW, 6 - 32 X 1/4	23	49	F1727	PLASTIC RIVET	25	26
F1647	HEX NUT, 8 - 32	7	6	F1729	PLUG	33	8
F1647	HEX NUT, 8 - 32	13	24	F1730	SCREW, PAN HD, W/SPRING LOCKWASHER 1/4 - 20 X 5/8	3	4
F1647	HEX NUT, 8 - 32	29	89	F1730	SCREW, PAN HD, W/SPRING LOCKWASHER 1/4 - 20 X 5/8	3	4
F1648	PAN HD SCREW, 10 - 24 X 3/4	7	16	F1733	SCREW, PAN HD, 10 - 24 X 9/16	3	2
F1664	SPRING PIN	33	10	F1734	FILL HD MOUNTING SCREW AND LOCKWASHER, 1/4 - 20 X 1/2	49	26
F1689	HEX HD CAP SCREW, 1/4 - 20 X 1/2	9	42	F1734	FILL HD SCREW W/LOCKWASHER, 1/4 - 20 X 1/2	7	14
F1692	WOODRUFF KEY	15	41	F1741	PAN HD SCREW, 8 X 3/4	7	35
F1693	TIE BAR RETAINER	17	36	F1741	THREAD FORMING SCREW, 8 X 3/4	49	9
F1696	HEX BOLT, 5/16 - 18 X 1-3/4	33	24	F1744	SPRING PIN	35	62
F1699	HEX BOLT, 1/4 - 20 X 1-1/8	29	97	F17500	SPRING SET	49	4
F1699	HEX HD SCREW, 1/4 - 20 X 1-1/8	25	10	F17504	BRUSH SET	49	3
F17006	DETENT SPRING	45	18	F17505	RESERVOIR AND BRACKET W/SEAL	49	14
F17009	BEARING	45	14	F17508	THRUST WASHER	49	11
F17010-1	THROTTLE GEAR	45	16	F17510	O-RING	49	13
F17011	BOWED WASHER	45	15	F17518	FILLER CAP	49	12
F17012	RETAINING PLATE	45	13	F17522	O-RING	49	21
F17013	FILL HD SCREW, 1/4 - 20 X 1/2	45	11	F17528	O-RING	51	46
F17014	THROTTLE ARM	45	10	F17539	BALL	49	2
F17016	CABLE TERMINAL	45	9	F17543	HEAD ASSEMBLY, COMMUTATOR END	49	1
F17019	CLUTCH ARM	45	5	F1755	ROUND HD SCREW W/LOCKWASHER, 6 - 32 X 1/4	21	38
F17021	CLUTCH GEAR	45	19	F17555	ARMATURE	49	7
F17026	SWIVEL	45	24	F17556	FIELD AND FRAME ASSEMBLY	49	6
F1703	LOCKWASHER	27	71	F17557	GASKET	49	5
F1703	SPRING LOCKWASHER	35	79	F17558	THRU-BOLT PACKAGE	51	43
F17036	INTERNAL TOOTH LOCKWASHER	45	6	F17560	HEAD ASSEMBLY	51	47
F1704	INTERNAL TOOTH LOCKWASHER	23	48	F17562-1	PISTON ASSEMBLY	51	45
F1705	HEX CAP SCREW, 1/4 - 20 X 3/4	7	23	F17563	MOTOR AND RESERVOIR ASSEMBLY	49	20
F1705	HEX CAP SCREW, 1/4 - 20 X 3/4	37	1	F17564	VALVE BODY AND PUMP	49	17
F17071	FILL HD SCREW, 10 - 24 X 5/16	45	22	F17565	DRIVE GEAR	49	19
F1708	HEX HD CAP SCREW, 1/4 - 20 X 1-3/8	3	18	F17566	IDLE GEAR	49	18
F17082-1	DETENT BALL	45	38	F17577	ADAPTER FITTING PACKAGE	49	42
F17092	SNAP RING	45	21	F1759	SHIM, DISTRIBUTOR	13	11
F17099-1	HOUSING	45	36	F1760	PAN HD SCREW, 10 - 24 X 3/8	7	19
F1710	PLAIN WASHER	33	39	F1760	PAN HD SCREW, 10 - 24 X 3/8	13	25
F17100	CLUTCH SHAFT	45	20	F1760	PAN HD SCREW, 10 - 24 X 3/8	25	3
F17105	FELT WASHER	45	33	F177330	FUEL PUMP VALVE	21	10
F17106	COLLAR	45	34	F1778	PLAIN WASHER	13	9
F1711	SPRING BOWED WASHER	33	51				
F17111	DETENT BALL	45	17				
F1713	SPRING PIN	37	25				
F17141	ROUND HD SCREW, 10 - 24 X 3/8	45	25				

PARTS INDEX

Part Number	Description	Pg.	Ref. No.	Part Number	Description	Pg.	Ref. No.
F178145-3	MOTOR LEG COVER REAR	33	9	F1873	HEX CAP SCREW, 3/8 - 16 X 3	25	9
F17815	SEAL, FUEL LINE COUPLER (SMALL)	43	5	F1874	HEX HD SCREW, 3/8 - 16 X 3-1/8	25	4
F17816	SEAL, FUEL LINE COUPLER (LARGE)	43	4	F1877	TY-RAP	7	29
F178168-1	CARBURETOR ADAPTER			F1877	TY-RAP (NOT SHOWN)	51	-
	GASKET	29	-	F1885	HEX BOLTS, S.S., 5/16 - 18 X 4-1/4	27	58
F178168-1	GASKET, CARBURETOR ADAPTER	21	35	F1885	HEX CAP SCREW, 5/16 - 18 X 4-1/4	37	6
F17817	SEAL, FUEL LINE COUPLER	43	12	F1892	STOP NUT	9	52
F178323	SEAL, MOTOR LEG	33	13	F1904	PLAIN WASHER	33	32
F178344	BUSHING	49	41	F1907	PLAIN WASHER	37	7
F178404-1	DEFLECTOR PLATE	21	36	F19109	PLUG	27	81
F178446	CLAMP	49	10	F1912	HEX HD SCREW, 10 - 24 X 1/2	35	77
F178754-1	FUEL LINE	17	8	F1922	HEX CAP SCREW, 1/4 - 20 X 5/8	11	10
F1788	STOP NUT	37	15	F1922	HEX CAP SCREW, 1/4 - 20 X 5/8	21	5
F18160-2	CYLINDER DRAIN REED	27	42	F1922	HEX CAP SCREW, 1/4 - 20 X 5/8	27	55
F1822	HEX BOLT, 5/16 - 18 X 7/8	35	84	F1922	HEX SLOT HD SCREW 1/4 - 20 X 5/8	3	19
F1822	SCREW, 5/16 - 18 X 7/8, STAINLESS STEEL	51	52	F1931	STOP NUT, 1/2 - 20, STAINLESS STEEL	51	49
F1831	FLAT HD SCREW, 1/4 - 20 X 5/8	23	42	F1934	FLAT HD SLOTTED SCREW, 6 X 12	9	50
F1832	STOP NUT, 1/4 - 20	27	65	F1936	SPACER, BEVEL GEAR FRONT .059	37	27
F184033-1	SWIVEL, TOP CARBURETOR	17	14	F1937	SPACER, BEVEL GEAR FRONT .062	37	-
F184122-1	SEAL	29	-	F1938	SPACER, BEVEL GEAR FRONT .065	37	-
F184122-1	SEAL, PARTING LINE	27	47	F1939	SPACER, BEVEL GEAR FRONT .068	37	-
F184579	O-RING SEAL	17	13	F1940	SPACER, BEVEL GEAR FRONT .071	37	-
F1851	FILL HD SCREW W/LOCKWASHER, 10 - 24 X 1/2	7	39	F1941	SPACER, BEVEL GEAR FRONT .074	37	-
F1854	HEX CAP SCREW, 1/4 - 20 X 5/8	3	29	F1942	SPACER, BEVEL GEAR FRONT .077	37	-
F1854	HEX HD. CAP SCREW, 1/4 - 20 X 5/8	11	12	F195/_	REMOTE CONTROL CABLE (SPECIFY LENGTH)	45	4
F1856	PLAIN WASHER	41	72	F195/_	REMOTE CONTROL CABLES	57	-
F1857	HEX CAP SCREW, 5/16 - 18 X 5/8	3	22	F1950	HEX CAP SCREW, 10 - 24 X 5/8	29	101
F1857	HEX CAP SCREW, 5/16 - 18 X 5/8	3	34	F1959	SCREW, 1/4 - 20 X 1-3/4, STAINLESS STEEL	49	24
F1858	HEX CAP SCREW, 5/16 - 18 X 1	3	21	F1960	PLAIN WASHER	51	50
F1858	HEX CAP SCREW, 5/16 - 18 X 1	39	39	F1963	ELASTIC STOP NUT, 5/8 - 18	49	34
F1860	RD HD SCREW, 6 - 32 X 1/4	21	9	F1966	PLUG, SWIVEL BRACKET	49	15
F1864	HEX CAP SCREW, 1/4 - 20 X 3/4	3	14	F1968	FLYWHEEL NUT	31	20
F1864	HEX CAP SCREW, 1/4 - 20 X 3/4	27	76	F1975	SPRING LOCKWASHER	7	10
F1864	HEX HD SCREW, 1/4 - 20 X 3/4	25	13	F1975	SPRING LOCKWASHER	13	26
F1864	HEX SLOT HD SCREW, 1/4 - 20 X 3/4	33	3	F197787-3	FUEL LINE COUPLER	43	6
F1866	PLAIN WASHER	41	71	F1987	PLAIN WASHER	29	84
F1867	HEX CAP SCREW, 3/8 - 16 X 1	31	18	F1987	PLAIN WASHER	35	91
F1869	HEX CAP SCREW, 3/8 - 16 X 1-1/4	27	70	F1990	HEX CAP SCREW, 1/4 - 20 X 1 -5/8	39	60
F1871	HEX HD SCREW, 3/8 - 16 X 3/4	35	80				

PARTS INDEX

Part Number	Description	Pg.	Ref. No.	Part Number	Description	Pg.	Ref. No.
F1990	HEX CAP SCREW, 1/4 - 20 X 5/8	41	-	F2120	SPACER, BEVEL GEAR REAR	41	-
F1994	HEX SOCKET HD CAP SCREW, 5/16 - 18 X 1	39	36	F2121	SPACER, BEVEL GEAR FRONT .057	37	-
F1997	STOP NUT, 8 - 32	19	47	F2122	SPACER, BEVEL GEAR FRONT .054	37	-
F2000	HEX CAP SCREW, 5/16 - 18 X 3/4	9	47	F213274	GREASE FITTING	13	27
F2000	HEX CAP SCREW, 5/16 - 18 X 3/4	29	107	F213274	GREASE FITTING	33	54
F2008	HEX CAP SCREW, 1/4 - 20 X 7/8	29	85	F24278	PROPELLER SHAFT SPOOL SEAL	41	-
F2008	HEX CAP SCREW, 1/4 - 20 X 7/8	39	55	F24278	SEAL, O-RING PROPELLER SHAFT SPOOL	37	10
F2008	HEX HD SCREW, 1/4 - 20 X 7/8	23	43	F269319	THROTTLE CAM BEARING	21	26
F2008	HEX HD SCREW, 1/4 - 20 X 7/8	25	7	F284659-2	BEARING, CRANKSHAFT UPPER MAIN	31	21
F2008	HEX HD SCREW, 1/4 - 20 X 7/8	25	8	F286818	BEARING, LATCH SHAFT	3	13
F2014	PLAIN WASHER	35	93	F289446-1	CLAMP	7	12
F2015	HEX NUT, 1/4 - 28	25	19	F298788	FERRULE	43	7
F2016	FILL HD SCREW, 6 - 32 X 7/8	23	47	F2A406757	CYLINDER DRAIN REED PLATE	27	43
F2030	HEX HD M. SCREW, 1/4 - 20 X 1-1/4	35	81	F2A523239	SPOOL, PROPELLER SHAFT BEARING	37	11
F203276	BOOT	13	30	F2A523662	BEVEL GEAR REAR W/BEARING CAGE SPACER AND BEARING	37	21
F2033	GROOVE PIN	17	3	F2A550706	GEAR HOUSING COVER	39	52
F203673	TERMINAL CLIP	13	31	F307317	CLIP, TERMINAL BLOCK	7	17
F2042	PLAIN WASHER	25	21	F316579	SEAL, CRANKCASE	31	11
F2042	PLAIN WASHER	27	62	F316599	SEAL, STEERING SUPPORT TUBE	35	55
F2047	WAVE WASHER	3	26	F319908	GROUND WIRE - CANADA	9	55
F2049	HEX CAP SCREW, 5/16 - 18 X 2-5/8	29	83	F321756	PACKING	3	30
F2066	PAN HD TAPPING SCREW, 10 X 7/16	3	32	F322273	STUD, C.D. UNIT	9	48
F2067	PLASTISOL CAP (NOT SHOWN) FOR EXPOSED THREADS OF CRANKSHAFT	31	-	F333316	THROTTLE ROLLER SHAFT	19	45
F2088	FASTENER	3	8	F333480-1	RETAINER, ENGINE COVER	3	31
F2089	SLOTTED PAN HD M. SCREW, 10 - 24 X 5/16	27	63	F335215	SPACER, PISTON PIN (2 PER PISTON)	31	3
F2090	PLUG	27	74	F335217-1	BEARING, PISTON PIN (26 PER SET)	31	5
F2093	STOP NUT, 5/8 - 24	33	16	F335654-1	STOP, DEFLECTION	3	23
F2107	FILL HD SCREW, 10 - 24 X 5/8	7	9	F338618-1	GEAR SHIFT ROD SEAL	41	-
F2108	LOCK NUT	35	90	F338618-1	SEAL, GEAR SHIFT ROD	39	53
F2108	STOP NUT, 5/16 - 18	27	64	F345475-1	COIL	9	44
F2113	SPACER, BEVEL GEAR FRONT .080	37	-	F345683	WIRE, REGULATOR - RECTIFIER GROUND	7	5
F2114	SPACER, BEVEL GEAR FRONT .083	37	-	F351307	SEAL, DRIVESHAFT - WATER PUMP	39	63
F2115	SPACER, BEVEL GEAR FRONT .086	37	-	F353480	STUD	33	34
F2116	SPACER, BEVEL GEAR FRONT .089	37	-	F369610	BEARING	27	67
F2117	SPACER, BEVEL GEAR REAR	41	78	F369887	SHOULDER SCREW	27	68
F2118	SPACER, BEVEL GEAR REAR	41	-	F369977-1	INTERLOCK ARM	27	66
				F372151-1	EXHAUST PORT PLATE	29	100
				F372152-2	EXHAUST PORT COVER	29	98
				F372154-1	EXHAUST PORT PLATE GASKET	29	-
				F372154-1	GASKET, EXHAUST PORT PLATE	29	99
				F372958	CHOKE BRACKET	21	19
				F381896-4	BATTERY CABLE	7	30
				F391926-1	PLUNGER	17	5

PARTS INDEX

Part Number	Description	Pg.	Ref. No.	Part Number	Description	Pg.	Ref. No.
F391983	RETAINING BAND	9	51	F448446	CLAMP, TRIM SWITCH		
F3A523158	REED PLATE	21	41		CABLE	45	41
F3C624944	COVER, ENGINE - COMPLETE	3	-	F448543	KNOB	45	29
F40223	GASKET, TRANSFER PORT COVER	27	52	F448611-1	LEVER	45	30
F40223	TRANSFER PORT COVER GASKET	29	-	F448894	INDICATOR, PORT	45	-
F40278	SEAL, CYLINDER	49	31	F449010	CYLINDER	49	32
F404268	BY-PASS VALVE SPRING ..	29	104	F449253-1	HYDRAULIC LINE, TRIM CYLINDER, LOWER	49	37
F404314	ELBOW, FUEL PUMP COVER	21	2	F449254	HYDRAULIC LINE, TRIM CYLINDER, UPPER	49	23
F404314	FITTING	27	57	F449278	PISTON SEAL	49	30
F404470-1	REGULATOR - RECTIFIER .	7	8	F449342	SEAL, PISTON SHAFT	49	28
F404513	COIL CLAMP	7	40	F449354	THRUST BRACKET	49	25
F404801	ELBOW, CYLINDER DRAIN UPPER (NOT SHOWN) ..	25	-	F449362	BEARING	33	41
F404841	CABLE, HEAT INDICATOR .	7	37	F449362	BEARING	49	35
F405457	PIVOT SCREW	25	33	F449545-2	CYLINDER HOUSING	49	33
F406406	DEFLECTOR PLATE GASKET	29	-	F449632	SHAFT	49	36
F406406	GASKET DEFLECTOR PLATE	21	37	F449754-1	HYDRAULIC LINE, LIFT CYLINDER, LOWER	49	39
F406471-1	CYLINDER DRAIN COVER .	25	-	F449758	HYDRAULIC LINE, LIFT CYLINDER, UPPER	49	38
F406754-1	HOSE	27	56	F449889	SHAFT, UPPER	51	51
F40689-1	BEARING	27	72	F449894	INDICATOR, STARBOARD ..	45	32
F407446	CLAMP	7	31	F455449	SWITCH, TRIM	45	39
F409251-1	GAUGE CAP	43	1	F455690	SET SCREW	47	44
F433209-1	THROTTLE CAM STUD	21	32	F460917	STARTER RELAY	7	26
F434754	FUEL LINE	17	16	F474073-1	CLAMP SCREW	33	36
F438066	BY-PASS VALVE COVER ...	29	102	F474387-1	TIMING DECAL	9	56
F438129	SEAL, DRIVESHAFT SPLINE	41	70	F476061-4	CARBURETOR COMPLETE (TC-5E)	17	27
F438165	SCREW, FUEL PUMP BOWL	21	18	F476066-1	THERMOSTAT COVER	29	93
F438169	BEARING	33	47	F476067	GASKET	29	90
F438271	RETAINER, CRANKSHAFT SPLINE SEAL	41	69	F476067	THERMOSTAT COVER GASKET	29	-
F438346	SHOCK MOUNT LOWER ...	35	87	F476529-1	CYLINDER HEAD GASKET .	27	79
F438398-1	DECAL, WIRING	29	96	F476529-1	CYLINDER HEAD GASKET .	29	-
F438500	FUEL SEDIMENT BOWL ...	21	17	F480038-2	PLATE SUPPORT	3	15
F438617	FUEL SEDIMENT BOWL GASKET	21	15	F480107-1	CAM STARTER INTERLOCK	27	60
F438653	FUEL SEDIMENT BOWL SCREEN	21	16	F480388	WATER PUMP LOCATING ..	39	61
F438668	RETAINER, CABLE CLAMP .	7	13	F481382-1	SPACER, LATCH SHAFT ...	3	27
F438744-1	WIRING HARNESS	7	4	F481434	GUIDE, ENGINE COVER ...	3	9
F438747	FUEL PUMP DIAPHRAGM ..	21	8	F481774	BRACKET, ENGINE COVER LATCH	3	7
F438760	FUEL PUMP GASKET	21	4	F481777	CAM, LATCH SHAFT	3	25
F438801	FITTING	21	14	F485755-1	FUEL TANK ADAPTER	43	3
F438841-1	LEAD WIRE - CANADA	13	-	F489551	BRACKET, NEUTRAL INTERLOCK SWITCH	23	44
F438905	COIL WIRE - CANADA	13	-	F490955	STARTER, COMPLETE	11	-
F438930	RETAINER, SNOOT	39	38	F498618	GEAR SHIFT ARM PIN SEAL	41	-
F438962	SHOCK MOUNT LOWER REAR	33	12	F498618	O-RING SEAL	37	31
F439736	SEAL, EXHAUST TUBE	35	94	F498891	PIN PROPELLER NUT RETAINING	37	14
F440192-1	THROTTLE CAM	21	28	F498891	PIN, GEAR SHIFT ARM	39	32
F440209	CARBURETOR STUD	21	30	F500843	CABLE	49	8
F440254	BALANCE TUBE	21	34	F50109	PLUG, GEAR HOUSING	39	43
F440906	CARBURETOR GASKET ...	21	31	F50342-1	BEARING CAGE BOLT SEAL	41	-
F440906	CARBURETOR GASKET ...	29	-	F50342-1	SEAL, O-RING	37	8
F440925	CHOKE ROD	17	4	F506118	PROPELLER SHAFT SEAL .	41	-
F441754-1	HOSE	21	3	F506118	SEAL, DRIVESHAFT	39	51
				F506118	SEAL, PROPELLER SHAFT .	37	9

PARTS INDEX

Part Number	Description	Pg.	Ref. No.	Part Number	Description	Pg.	Ref. No.
F510374-1	DECAL, CIRCUIT BREAKER	7	41	F58685-2	CONNECTOR, SHIFT CABLE	45	2
F510460	CIRCUIT BREAKER	7	22	F590	REMOTE CONTROL HEAD (SINGLE LEVER)	57	-
F511125-2	TUBE, STEERING SUPPORT	33	52	F596	CHRYSLER OUTBOARD OIL	59	-
F511708	COVER, CARBURETOR	17	32	F597	CHRYSLER OUTBOARD GEAR LUBE	59	-
F523031	GASKET, WATER PUMP	39	56	F5H018	DUAL ENGINE TIE BAR	57	-
F523031	GASKET, WATER PUMP	41	-	F5H019	ANTI-CORROSION KIT	57	-
F523057	BEARING, DRIVESHAFT LOWER	39	65	F5H021	EXTENSION CABLE	58	-
F523065-1	IMPELLER	41	-	F5H025	ANTI-CORROSION SACRIFICIAL ANODE	57	-
F523065-1	IMPELLER, WATER PUMP	39	58	F5H026	FUEL TANK (ACCESSORY ITEM)	43	2
F523094-2	PROPELLER NUT	37	13	F5H026	STEEL, 6 GALLON FUEL TANK (LOW PROFILE)	57	-
F523099-1	SPACER, PROPELLER	37	18	F5H028	SENDING UNIT	58	-
F523116-1	EXHAUST SNOUT	39	37	F5H029	TANK ANCHOR	57	-
F523133-2	MOTOR LEG	33	14	F5H030	SWITCH KIT - RUNNING LIGHTS	58	-
F523146-1	SEAL, CRANKSHAFT BEARING CAGE	31	19	F5H031	SWITCH KIT - SPOT LIGHT	58	-
F523146-1	SEAL, CRANKSHAFT LOWER	31	13	F5H032	SWITCH KIT - WIPER	58	-
F523188	NUT, BEVEL PINION	39	34	F5H034	SWITCH KIT - BILGE PUMP	58	-
F523244	INLET WATER LINE	37	5	F5H035	SWITCH KIT - HORN	58	-
F523273	STUD STEERING BALL	33	23	F5H036	SWITCH KIT - TACHOMETER TRANSFER	58	-
F523274	GREASE FITTING	33	49	F5H037	CIGAR LIGHTER	58	-
F523280	NUT, STEERING SUPPORT TUBE	35	63	F5H038	IGNITION SWITCH MOUNTING KIT (ACCESSORY ITEM)	9	49
F523300-1	SPRING STEERING LINK	33	19	F5H038	SWITCH KIT - IGNITION SWITCH	58	-
F523411	RETAINING RING, BEARING CAGE	37	22	F5H039	SWITCH KIT - INSTRUMENT LIGHTS	58	-
F523451	SPACER, REED STOP	23	50	F5H040	STEEL, 12 GALLON FUEL TANK	57	-
F523498	DRIVE KEY, WATER PUMP	39	67	F5H043	OVERHEAT BUZZER	57	-
F523498	KEY	41	-	F5H043	OVERHEAT BUZZER (ACCESSORY ITEM)	7	36
F523555	GEAR HOUSING COVER SEAL	41	-	F5H059	CHRYSLER OUTBOARD MULTI-PURPOSE GREASE	59	-
F523555	SEAL, O-RING, GEAR HOUSING COVER	39	48	F5H060	CHRYSLER OUTBOARD GREASE GUN	59	-
F523562	PLATE, WATER PUMP	39	57	F5H069	RFI SUPPRESSION KIT	58	-
F523562	PLATE, WATER PUMP	41	-	F5H070	REMOTE ELECTRIC CABLE	58	-
F523705	GEAR SHIFT ROD LOWER	39	45	F5H075	WIRING HARNESS - IGNITION SWITCH - 24"	59	-
F523813	BEARING CUP	37	29	F5H076	SWITCH EXTENSION CABLE	58	-
F523834	CLIP, SPARK PLUG WIRE	27	54	F5H077	IGNITION KEY SWITCH	58	-
F523899	GROMMET, WATER LINE	37	4	F5H078	IGNITION KEY SWITCH	58	-
F523901	BEARING, BEVEL GEAR REAR	41	77	F5H078	IGNITION SWITCH (LONG BARREL)	7	34
F523930	RETAINER STUD	33	22	F5H079	REMOTE CONTROL BOX	57	-
F523961	CRUSH RING	39	49	F5H080	TWIN REMOTE CONTROL BOX	57	-
F523962	SHOCK MOUNT - C.D. UNIT	9	46	F5H081	BATTERY CABLE	57	-
F528015	PISTON - STANDARD	31	2	F5H094	STEERING LINK	57	-
F528068	THERMOSTAT	29	91	F5H094	STEERING LINK KIT	33	17
F528253	HOSE (LOWER FUEL PUMP TO UPPER)	23	52	F5H108	STEERING CONNECTOR	57	-
F528995	COVER, CYLINDER HEAD	27	82	F5H115	TRAILERING TILT LOCK	58	-
F530160	REED (5 PETAL)	21	40				
F545189	BUSHING, CABLE ENTRY	3	17				
F548984	BLANKET, SILENCER - TOP (NOT SHOWN)	5	-				
F549189	BUSHING, ELECTRIC CABLE	3	16				
F552985	BLANKET, SILENCER - SIDE (NOT SHOWN)	5	-				
F563	TERMINAL BLOCK KIT	59	-				
F580892	DECAL, STARBOARD	45	27				
F581892	DECAL, PORT	45	-				

PARTS INDEX

Part Number	Description	Pg.	Ref. No.	Part Number	Description	Pg.	Ref. No.
F5H119	WASHER (ACCESSORY ITEM)	37	16	F8080	HELICAL SPRING LOCKWASHER	33	21
F5H120	REMOTE CONTROL BACK PLATE	57	-	F8083	LOCKWASHER	3	24
F5H130	REMOTE CONTROL BOX (SINGLE LEVER) (SURFACE MOUNT)	57	-	F8083	SPRING LOCKWASHER ...	9	43
F5H131	PORT SIDE DECAL KIT	57	-	F8083	SPRING LOCKWASHER ...	11	13
F5H132	REMOTE CONTROL HANDLE TRIM SWITCH	58	-	F8083	SPRING LOCKWASHER ...	33	2
F5H134	BOAT WHITE LACQUER ...	57	-	F8083	SPRING LOCKWASHER ...	39	54
F5H146	POWER TILT	58	-	F8083	SPRING LOCKWASHER ...	41	-
F5H150	POWER TRIM	58	-	F8088	PLAIN WASHER	17	12
F5H153	TACHOMETER FLUSH MOUNT	58	-	F8088	PLAIN WASHER	23	46
F5H154	SPEEDOMETER FLUSH MOUNT	58	-	F8094	WASHER, PLAIN	3	28
F5H155	SPEEDOMETER - FLUSH MOUNT	58	-	F8095	PLAIN WASHER	25	6
F5H156	TEMPERATURE GAUGE - FLUSH MOUNT	58	-	F8096	LOCKWASHER	3	20
F5H157	VOLTMETER - FLUSH MOUNT	57	-	F8096	LOCKWASHER	3	35
F5H159	HOURMETER - FLUSH MOUNT	57	-	F8096	SPRING LOCKWASHER ...	7	25
F5H161	POWER TRIM INDICATOR ..	57	-	F8096	SPRING LOCKWASHER ...	29	108
F5H173	FLUSHING ADAPTER	57	-	F8096	SPRING LOCKWASHER ...	35	85
F616675	STARTER BRACKET, LOWER	11	11	F8096	SPRING LOCKWASHER ...	39	40
F616955	STARTER COMPLETE. INC. ALL ITEMS MARKED W/* ..	11	14	F8104	PLAIN WASHER	25	12
F7004	STOP NUT, 3/8 - 16	27	51	F84011	WASHER	35	58
F7008	ELASTIC STOP NUT	25	34	F84074	CLAMP SCREW FOOT	33	35
F7008	STOP NUT, 1/4 - 20	21	25	F84278	SEAL	31	22
F7012	STOP NUT	33	29	F84286-1	FRICITION WASHER	35	56
F7013	STOP NUT	13	2	F84305	PROPELLER SHAFT SPOOL SEAL	41	-
F71H26	BATTERY TERMINAL KIT ..	58	-	F84305	SEAL, O-RING PROPELLER SHAFT SPOOL	37	12
F71H26	BATTERY TERMINAL KIT (ACCESSORY ITEM)	7	32	F84307-1	DRIVESHAFT SEAL	41	-
F74305	GEAR HOUSING COVER SEAL	41	-	F84314-2	ELBOW	17	9
F74305	SEAL, DRIVESHAFT BEARING CAGE	39	50	F84314-2	ELBOW	21	6
F762	REMOTE ELECTRIC CABLE ..	58	-	F84314-2	ELBOW	27	48
F8003	PLAIN WASHER	25	40	F84342	SEAL, INLET WATER LINE, UPPER	37	3
F8011	PLAIN WASHER	7	20	F84449	INTERLOCK SWITCH	23	45
F8038	PLAIN WASHER	27	50	F84472-5	CYLINDER DRAIN COVER GASKET	29	-
F8038	PLAIN WASHER	33	18	F84472-5	GASKET, CYLINDER DRAIN COVER	25	38
F8056	LOCKWASHER	13	18	F84504	GROMMET (THERMOSTAT) ..	29	92
F8056	LOCKWASHER	15	43	F84521-2	CLUTCH	37	26
F8056	LOCKWASHER	29	88	F84748-3	CYLINDER DRAIN REED PLATE GASKET	29	-
F8056	SPRING LOCKWASHER ...	7	7	F84748-3	GASKET	27	46
F8058	INTERNAL TOOTH LOCKWASHER	21	24	F84792	GASKET, CENTER FUEL PUMP VALVE	21	11
F8058	INTERNAL TOOTH LOCKWASHER	27	78	F84871-1	PIN, GEAR SHIFT	37	24
F8061	INTERNAL TOOTH LOCKWASHER	45	12	F85017	PISTON PIN	31	4
F8077	WASHER	41	-	F85026	SWIVEL	25	18
				F85033	SWIVEL, CHOKE ROD (BOTTOM CARBURETOR) (NOT SHOWN)	17	-
				F85035	DISTRIBUTOR CONTROL ROD END	25	20
				F85036	TOWERSHAFT CONTROL ROD END	25	23
				F85037-1	STERN BRACKET PIVOT BOLT	35	69
				F85095-2	STATOR	7	3
				F85117	BRACKET, WATER LINE ...	37	2
				F85130	BOOT IDLE EXHAUST	33	5

PARTS INDEX

Part Number	Description	Pg.	Ref. No.	Part Number	Description	Pg.	Ref. No.
F85161-1	REED STOP	21	39	F91446-1	CIRCUIT BREAKER		
F85173	RETAINING RING	13	6		BRACKET	7	21
F85211	STUD	27	49	F92759	THROTTLE ROLLER	19	46
F85258	INSERT	33	4	F93811	SCREEN	27	45
F85279-2	CYLINDER EXHAUST UPPER			F93920	REED STOP	27	41
	GASKET	29	-	F97772	CLAMP	17	6
F85279-2	GASKET, CYLINDER			F97772	CLAMP	23	51
	EXHAUST UPPER	27	69	F97772	FUEL LINE CLAMP	43	11
F85311	DISTRIBUTOR BELT	13	1	F98273	ROD END CONNECTOR		
F85314-1	FUEL FITTING	17	7		STUD	27	77
F85317-2	SOLENOID CLAMP	21	21	FA14048-2	PREAMPLIFIER	13	17
F85372	PIN, GEAR SHIFT ROD			FA17559	LIFT CYLINDER COMPLETE	49	40
	LOWER	39	47	FA17561-1	O-RING	51	44
F8538	SPRING PIN	33	37	FA178233	THROTTLE TIE BAR		
F85380	SPRING	33	6		W/SWIVEL	17	35
F85410	SNAP RING	31	8	FA178962	SHOCK ABSORBER	51	48
F85445	CONTROL ROD	25	22	FA178962	SHOCK ABSORBER		
F85498	FLYWHEEL KEY	31	16		W/BUSHING	33	40
F85502	THROTTLE LINK	25	28	FA321574	DISTRIBUTOR BRACKET	13	10
F85509-1	LINK, CHOKE	17	2	FA368700	KEY, IGNITION, NO LETTER		
F85571	BEARING CAGE W/ROLLER	31	10		OR STAMPED A	9	53
F85606	KINGPIN CAP	35	82	FA404097	FLYWHEEL	7	1
F85610	BEARING	27	59	FA411222	TRANSFER PORT COVER	27	53
F85615	GEAR SHIFT ROD UPPER	35	88	FA438431	FUEL PUMP BODY		
F8563	DOWEL PIN	25	16		W/VALVES	21	12
F85634-2	CONNECTING ROD SCREW	31	14	FA439493	TERMINAL BLOCK BRACKET	7	11
F85660-1	EXHAUST TUBE	33	1	FA439746	FUEL PUMP COVER		
F85664	DISTRIBUTOR GROUND	13	28		W/PLUG	21	1
F85664	GROUND WIRE	9	54	FA440157	CARBURETOR ADAPTER -		
F85704	COUPLER, GEAR SHIFT				UPPER	21	-
	ROD	35	86	FA440167	CARBURETOR ADAPTER -		
F85762	BY-PASS COVER GASKET	29	-		LOWER	21	33
F85762	BY-PASS VALVE COVER			FA449015	PISTON	49	29
	GASKET	29	103	FA449149	COVER ASSEMBLY		
F85772	CLAMP	33	7		W/SEALS AND RETAINER	49	27
F85779-1	BAFFLE, AIR INTAKE	35	78	FA476010	CYLINDER W/CRANKCASE		
F85843-1	REMOTE ELECTRIC CABLE,				COVER	25	1
	18 FEET	7	38	FA480179	TRIM, TOP	3	1
F85859	STUD	25	17	FA480269	HANDLE, TILT	3	3
F85906	CARBURETOR GASKET	29	-	FA480876	GEAR SHIFT ARM	27	61
F85908-1	LEAD WIRE	11	9	FA480894	TIMING POINTER	25	2
F85916-1	BY-PASS VALVE	29	105	FA481469	LATCH HANDLE, ENGINE		
F85924	CHOKE SOLENOID	7	28		COVER W/SHAFT	3	12
F85965	SHOCK MOUNT UPPER	35	89	FA481743	LATCH, ROLLER BRACKET,		
F89758	FUEL PUMP AIR HOSE -				W/ROLLER	3	36
	TOP	21	7	FA510497	TERMINAL BLOCK	7	15
F9018	CAP	35	64	FA523014	CRANKSHAFT LOWER MAIN		
F9052	PLUG	33	50		BEARING	31	12
F90619-2	YOKE	41	73	FA523054	GEAR HOUSING	39	33
F90807	RETAINING RING	17	34	FA523136	CAGE, REAR	41	76
F9095	SHIM, DRIVESHAFT			FA523485	ANTI-CORROSION ANODE	37	20
	BEARING, UPPER .005			FA523735	SEAL, INLET WATER LINE,		
	SILVER	39	-		LOWER	39	64
F9096	SHIM, DRIVESHAFT			FA528018	CRANKSHAFT	31	15
	BEARING, UPPER .007			FA528260	PISTON RING SET FOR 2		
	BRASS	39	-		PISTONS - STANDARD	31	1
F9097	SHIM, DRIVESHAFT			FA528518	CYLINDER HEAD	27	80
	BEARING, UPPER .010			FA552180	TRIM, REAR	3	5
	BLACK	39	-	FA552888	TRIM, FRONT	5	37
				FA552944	COVER, ENGINE	3	6

PARTS INDEX

Part Number	Description	Pg.	Ref. No.	Part Number	Description	Pg.	Ref. No.
FA566386	DECAL, NUMERAL	3	11	FO14166	IDLE MIXTURE SCREW	17	29
FA58976-1	CONNECTOR, THROTTLE CABLE	45	1	FO14190	MAIN FUEL JET OPT. .092 3000 - 4500 FT.	19	-
FA606528	DECAL, ENGINE COVER REAR	5	39	FO14191	MAIN FUEL JET OPT. .0937 1500 - 3000 FT.	19	-
FA606892	DECAL, ENGINE COVER FRONT	5	38	FO15406	MAIN FUEL JET OPT. .090 4500 - 6000 FT.	19	-
FA609853	DECAL, WARNING	9	57	FO15623	FUEL BOWL GASKET	17	26
FA624396	DECAL, ENGINE COVER - STARBOARD W/LITERATURE	3	-	FO15912	CHOKE AND THROTTLE SHUTTER SCREW	17	31
FA624397	DECAL, ENGINE COVER - PORT W/LITERATURE	3	10	FO16128	BODY CHANNEL WELCH PLUG	19	49
FA84621-1	COUPLING, GEAR SHIFT ARM W/BUSHING	39	44	FO16130	FUEL BOWL	17	22
FA84754-1	FUEL LINE SHORT	43	8	FO16132	FUEL BOWL RETAINING SCREW	17	20
FA85135-4	LEG COVER FRONT	35	83	FO16133	MAIN NOZZLE	17	23
FA85193	TIE BAR END W/SWIVEL	17	38	FO16142	THROTTLE SHUTTER	19	50
FA85355-1	WASHER	35	92	FO16143	THROTTLE SHAFT RETURN SPRING	19	41
FA85655-1	CRANKSHAFT MAIN BEARING RACE W/SNAP RING	31	9	FO16301	CHOKE SHAFT AND LEVER	17	17
FB368700	KEY, IGNITION, STAMPED B	9	-	FO16620	E-RING	17	10
FC368700	KEY, IGNITION, STAMPED C	9	-	FO17719	CHOKE SHUTTER	17	30
FC409398	DECAL, TOTE TANK - CANADA (NOT SHOWN)	43	-	FO17884	THROTTLE SHAFT AND LEVER	19	42
FC500390	DECAL STARTER - CANADA (NOT SHOWN)	11	-	FO17885	CHOKE SHAFT RETURN SPRING	17	18
FC510374	DECAL, CIRCUIT BREAKER - CANADA	7	-	FO1974	SCREW	19	44
FC528010	SHORT BLOCK	25	-	FO9678	CLIP, CHOKE SHAFT	17	39
FC631054	GEAR HOUSING COMPLETE	39	-	FO992	LOCKWASHER	19	43
FD368700	KEY, IGNITION, STAMPED D	9	-	FOB2603	INSTALLATION INSTRUCTIONS (5H094 STEERING LINK KIT)	33	-
FE368700	KEY, IGNITION, STAMPED E	9	-	FPS524	PROPELLER (ACCESSORY ITEM)	37	17
FG1019	GASKET SET	29	106	FS409752	FUEL LINE, COMPLETE	43	-
FK10023	GASKET SET (NOT SHOWN)	17	-	FS85019	KINGPIN	33	43
FK10103	REPAIR PARTS KIT	17	1	FS85872-1	BRACKET	27	75
FK10107	INLET NEEDLE AND SEAT	17	19	FSA528015	PISTON .010 OVERSIZE	31	-
FK1063-2	SEAL KIT	41	74	FSA528260	PISTON RING SET FOR 2 PISTONS .010 OVERSIZE	31	-
FK1069	WATER PUMP KIT	41	75	FT1082	SNAP RING PLIER	53	-
FK1083	SEAL KIT	51	53	FT11204	BEARING CUP INSTALLER	54	-
FK1123	SPARKIE W/SPRING	15	44	FT11205	BEARING INSTALLER/REMOVER	54	-
FK17156	BAG ASSEMBLY (NOT SHOWN)	47	-	FT11207	BEARING CUP REMOVER	54	-
FK405020	SWIVEL W/CLAMP, SHOULDER SCREW AND NUT	25	32	FT11209	BEARING GUIDE SET	54	-
FK523098	PROPELLER SHAFT	37	23	FT2938-1	BATTERY POWERED TEST LIGHT	52	-
FK616128	DRIVESHAFT	39	68	FT2951	CIRCUIT TRACER	52	-
FK78838-6	TOWERSHAFT	25	24	FT2953	SOCKET	53	-
FK85228-1	BEARING CAGE W/ROLLER	31	7	FT2961	LUBRICANT - RYKON GREASE #2EP	56	-
FO10588	BODY CHANNEL CUP PLUG	19	48	FT2962-1	SEALANT - 50 CC LOCTITE H, NON-HARDENING GRADE	56	-
FO11103	IDLE MIXTURE SCREW SPRING	17	28	FT2963-2	SEALANT - 2 OZ. LOCTITE D, HARDENING GRADE	56	-
FO12947	MAIN FUEL JET STD. .096 SEA LEVEL - 1500 FT.	17	40	FT2987-1	LUBRICANT - ANTI-SEIZE	56	-
FO13193	MAIN FUEL JET OPT. .088 6000 FT. AND UP.	19	-	FT2990	PISTON PIN TOOL	53	-
FO13554	FLOAT	17	25	FT2991	CARBON BRUSH	53	-
FO13944	FLOAT LEVER PIN	17	24				

PARTS INDEX

Part Number	Description	Pg.	Ref. No.	Part Number	Description	Pg.	Ref. No.
FT2996	RING COMPRESSOR	53	-	87-817778A1	THERMOSWITCH	29	87
FT2998	TORQUE WRENCH	53	-	300-817855A1	UNIT	9	45
FT2999	TORQUE WRENCH	53	-	600-818052A4	CONNECTING ROD W/CAP		
FT3012	SEAL INSTALLER	54	-		AND SCREWS	31	6
FT7848	TORQUING ADAPTER	54	-	700-818128A1	PISTON .030 OVERSIZE	31	-
FT8900	HOSE CLAMP PLIERS	53	-	1400-817958A6	STERN BRACKET	33	28
FT8901	INDICATOR HOLDER	54	-				
FT8902	DIAL INDICATOR	54	-				
FT8903	SEAL INSTALLER	53	-				
FT8907	DRIVE HANDLE	53	-				
FT8907	DRIVER HANDLE	54	-				
FT8914	SEAL REMOVER	53	-				
FT8918	BEARING GUIDE SET	54	-				
FT8919	SPRING PIN PUNCH	54	-				
FT8925	SEAL INSTALLER	53	-				
FT8925	SEAL INSTALLER	54	-				
FT8926	RING EXPANDER	53	-				
FT8927	SEAL PROTECTOR	53	-				
FT8933	LIFTING HOOK	53	-				
FT8935	SEALANT PRIMER - 6 OZ.	56	-				
FT8936-1	SEALANT - 2 CC LOCTITE						
	RETAINING COMPOUND						
	#75	56	-				
FT8948-1	PULLER	52	-				
FT8948-1	PULLER	54	-				
FT8950	LEAKAGE TESTER	55	-				
FT8953	IGNITION TESTER	55	-				
FT8955	SEALANT - 5 OZ. EC-750						
	INDUSTRIAL SEALANT	56	-				
FT8957	SEAL INSTALLER	54	-				
FT8969	LUBRICANT - 7 OZ. LPSI						
	LUBRICANT	56	-				
FT8978	POWER TIMING LIGHT	52	-				
FT8983	SEALANT - 3 OZ. RTV						
	SEALANT FROM IN PLACE						
	GASKETS	56	-				
FT8985	SEAL INSTALLER	54	-				
FT8997	SHIMMING TOOL	54	-				
FTA2937-1	TIMING TOOL	52	-				
FTA8994	PISTON PIN TOOL	53	-				
FTK8999	TEST WHEEL	55	-				
OB3876	LITERATURE (NOT SHOWN)						
	INSTALLATION						
	ILLUSTRATIONS	47	-				
22-818103--1	ELBOW, CYLINDER DRAIN						
	LOWER	25	36				
31-817785A2	CRANKSHAFT BEARING						
	CAGE	31	17				
32-817738A1	FUEL LINE LONG	43	10				
33-97180	SPARK PLUG (CHAMPION						
	L20V) - USA	29	86				
39-818129A2	PISTON RING SET FOR 2						
	PISTONS .030 OVERSIZE	31	-				
43-817854A2	BEVEL PINION GEAR	39	35				
43-818068A2	BEVEL GEAR FRONT						
	W/BEARING	37	28				
46-817853A1	WATER PUMP	41	-				
46-817853A1	WATER PUMP BODY	39	59				
84-817774A4	LEAD WIRE - USA	13	32				
84-817775A1	COIL WIRE	13	29				