



PARTS CATALOG

FORCE 1986 50 H.P.

SERIAL NUMBER

| | | |
|----------------|-------|---------|
| 50 H.P. (1986) | | .507F6A |
| 50 H.P. (1986) | | 507FC6A |
| 50 H.P. (1986) | | .507X6A |

TABLE OF CONTENTS:

| | |
|---|----|
| ACCESSORIES | 49 |
| ALTERNATOR AND ELECTRICAL COMPONENTS | 4 |
| CARBURETOR | 14 |
| CRANKSHAFT AND PISTON GROUP | 24 |
| ELECTRIC STARTER | 10 |
| ENGINE COVER AND SUPPORT PLATE | 2 |
| FUEL PUMP | 12 |
| FUEL TANK AND LINE | 38 |
| GEAR HOUSING | 34 |
| MOTOR LEG | 28 |
| PARTS INDEX | 52 |
| POWER HEAD | 18 |
| REED PLATE | 26 |
| REMOTE CONTROL | 40 |
| SPECIAL TOOLS - LOWER UNIT | 46 |
| SPECIAL TOOLS - LUBRICANTS AND SEALANTS | 48 |
| SPECIAL TOOLS - POWER HEAD | 45 |
| SPECIAL TOOLS - TEST EQUIPMENT | 47 |
| SPECIAL TOOLS - TUNE-UP | 44 |

NOTE: Indented description indicate that these parts are included in preceeding assembly.

AR = As Required

NSS = Not Sold Separate

OPT = Optional

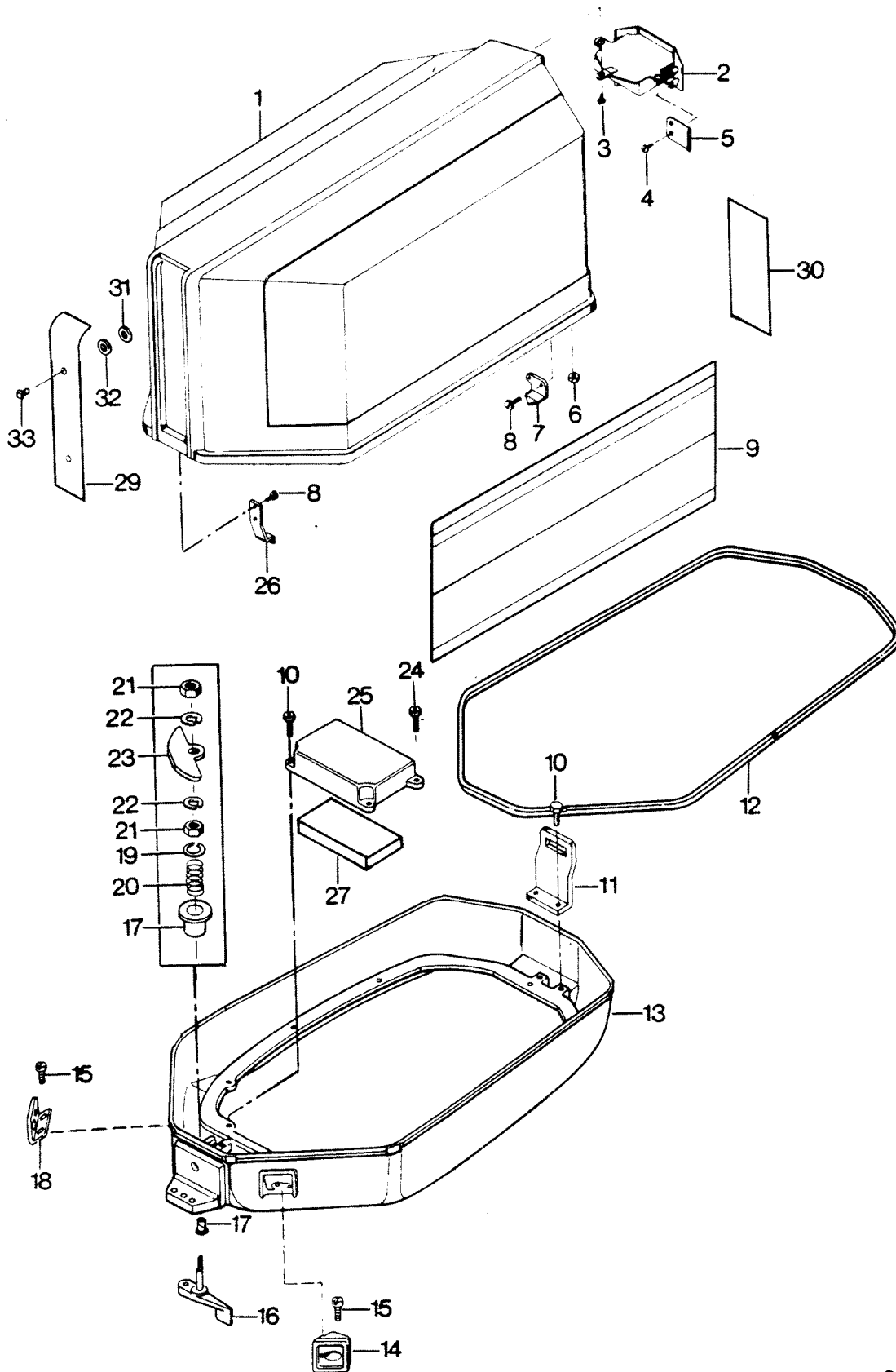
NS = Not Shown

THESE PARTS BOOKS/FICHE CARD ARE COPYRIGHTED AND MAY NOT BE DISTRIBUTED OR REPRODUCED IN ANY OTHER FORMAT BY ANYONE OTHER THAN MERCURY MARINE WITHOUT THE PRIOR WRITTEN CONSENT OF MERCURY MARINE.

THIS PAGE INTENTIONALLY LEFT BLANK

ENGINE COVER AND SUPPORT PLATE

Order by Part Number and Name, giving Motor Model and Serial Number.



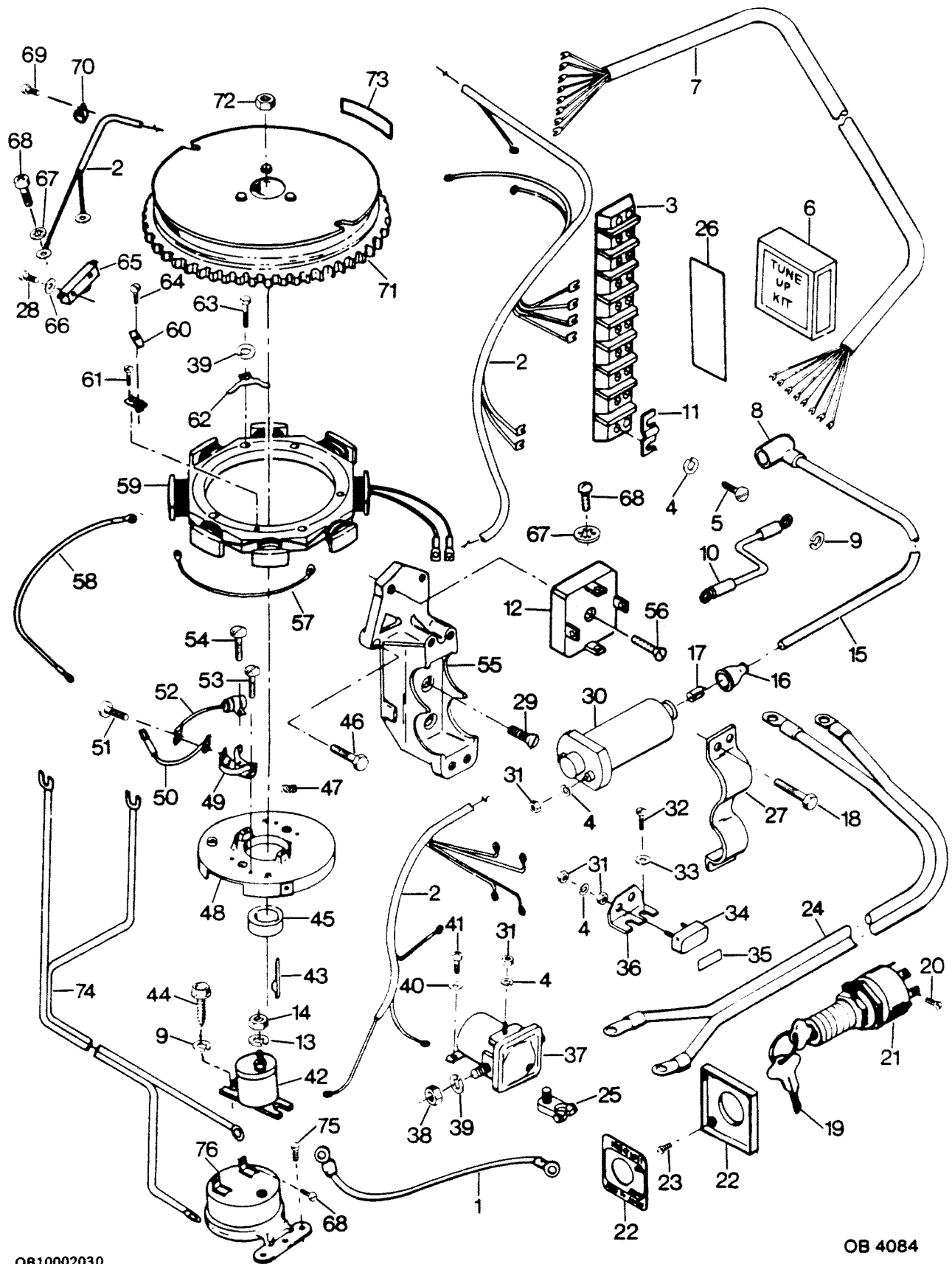
B10002029

OB 4

ENGINE COVER AND SUPPORT PLATE

| REF. NO. | PART NO. | SYM. | QTY. | DESCRIPTION |
|----------|------------------|------|------|--|
| 1 | FS606712 | | 1 | ENGINE COVER W/ILLUS. 6, 7, 8 AND 26 |
| - | F2C658712 | | 1 | ENGINE COVER COMPLETE INCLUDES ITEMS MARKED WITH AN ASTERISK (*). |
| 2 | 817814A1 | | 1 | TILT HANDLE W/LITERATURE ORIGINAL FORCE P/N A 463269-1 |
| 3 | F2025 | | 1 | PAN HD SCREW, 10 X 5/8 |
| 4 | F2066 | | 4 | PAN HD SELF-TAPPING SCREW |
| 5 | F463864 | | 2 | RETAINER, TILT HANDLE |
| 6 | F7011 | | 4 | HEX NUT, 10 - 24 |
| 7 | FA458480 | | 1 | ENGINE COVER RETAINER W/ILLUS. 6 AND 8 |
| 8 | F1475 | | 4 | FILL HD SCREW, 10 X 24 X 1/2 |
| 9 | F658396 | | 1 | DECAL, ENGINE COVER STARBOARD W/LITERATURE |
| - | F658397 | | 1 | DECAL, ENGINE COVER PORT |
| 10 | F1864 | | 12 | HEX CAP SCREW, 1/4 - 20 X 3/4 |
| 11 | F458774 | | 1 | BRACKET RETAINER - REAR |
| 12 | F85756 | | 1 | SUPPORT PLATE PACKING |
| 13 | F307038 | | 1 | SUPPORT PLATE |
| 14 | F549189 | | 1 | BUSHING ELECTRIC CABLE ENTRY |
| 15 | F1733 | | 3 | PAN HD SCREW 10 - 24 X 9/16 |
| 16 | FA328763 | | 1 | COVER LATCH HANDLE W/SHAFT |
| 17 | F307818 | | 2 | BEARING, LATCH SHAFT |
| 18 | F545189 | | 1 | BUSHING, CABLE ENTRY |
| 19 | F1987 | | 1 | PLAIN WASHER |
| 20 | F183300 | | 1 | SPRING |
| 21 | F1515 | | 2 | HEX NUT, 5/16 - 18 |
| 22 | F8096 | | 2 | SPRING LOCKWASHER |
| 23 | F89777-1 | | 1 | LATCH CAM |
| 24 | F1532 | | 2 | HEX HD SCREW, 1/4 - 20 X 1 |
| 25 | FA307779 | | 1 | BAFFLE, AIR INTAKE W/ILLUS. 27 |
| 26 | FA366778 | | 1 | ENGINE COVER RETAINER FORWARD W/ILLUS. 6 AND 8 |
| 27 | F307860 | | 1 | INTAKE SILENCER |
| 29 | FK606711 | | 1 | PLATE, FRONT W/ ILLUS. 31, 32 33 |
| - | F465985 | | 2 | BLANKET, SILENCER - SIDE (NOT SHOWN) |
| - | F311984-1 | | 1 | BLANKET SILENCER - TOP (NOT SHOWN) |
| - | F474992 | | 1 | BLANKET SILENCER - FRONT (NOT SHOWN) |
| 30 | F658528 | | 1 | DECAL, REAR |
| 31 | F1753 | | 2 | FASTENER, TRIM (INSIDE OF COVER) |
| 32 | F85735-1 | | 2 | SEAL, TRIM (INSIDE OF COVER) |
| 33 | F2165 | | 2 | RIVET, TRIM |

ALTERNATOR AND ELECTRICAL COMPONENTS



OB10002030

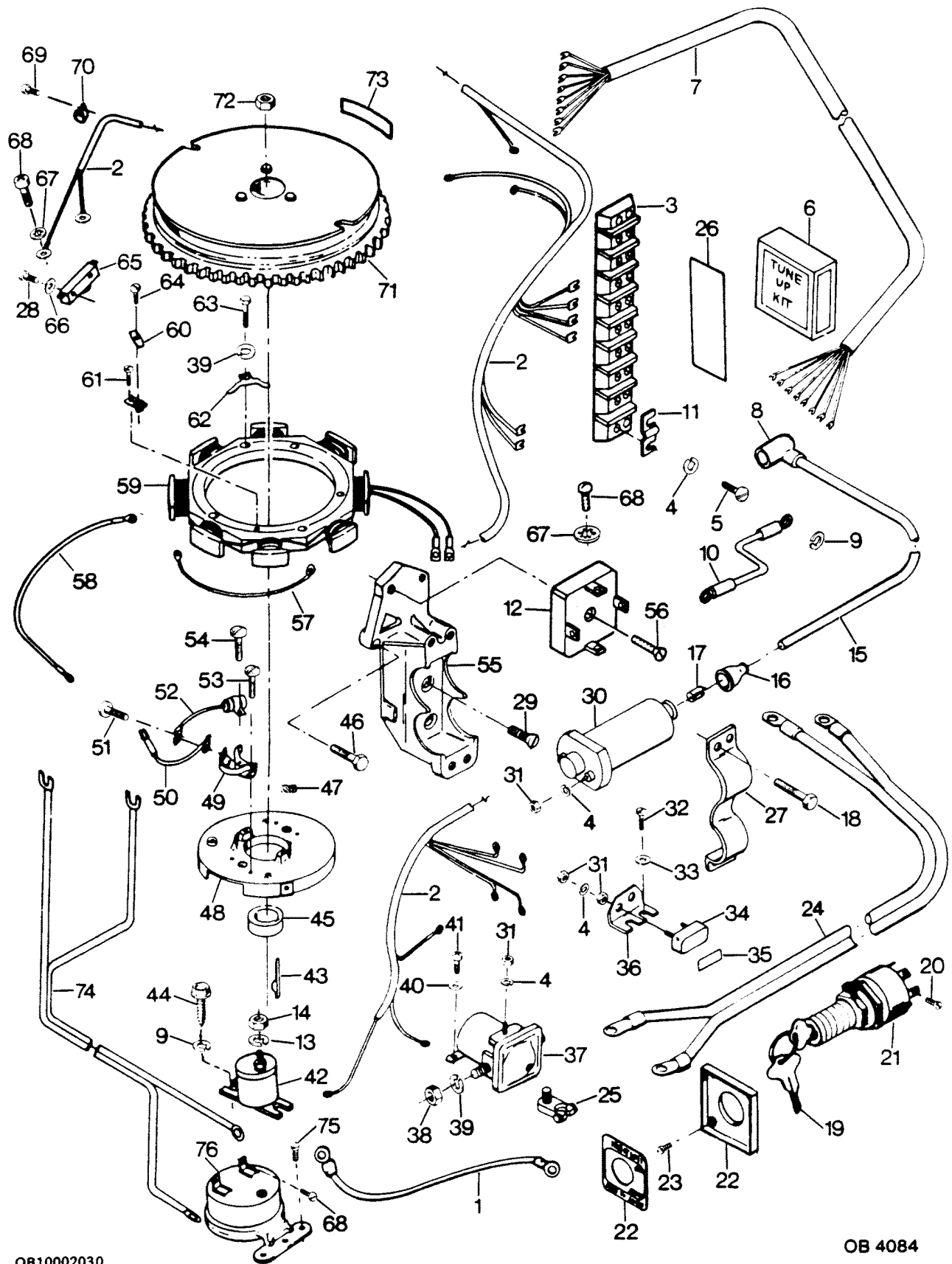
OB 4084

ALTERNATOR AND ELECTRICAL COMPONENTS

| REF. NO. | PART NO. | SYM. | QTY. | DESCRIPTION |
|----------|------------------|------|----------|---|
| 1 | F307683 | | 1 | WIRE, CIRCUIT BREAKER |
| 2 | F311744-2 | | 1 | WIRING HARNESS |
| 3 | FA616497 | | 1 | TERMINAL BLOCK W/ILLUS. 5 |
| 4 | F1975 | | 7 | LOCKWASHER |
| 5 | F1974 | | 2 | SLOTTED PAN HD SCREW, 10 - 24 X 5/8 |
| 6 | FK1075 | | 1 | TUNE-UP KIT. INCLUDES ALL ITEMS MARKED WITH AN ASTERISK (*) |
| 7 | F629843 | | 1 | ELECTRIC CONTROL CABLE - 14 1/2 FT. (507X6A 507XC6A) |
| - | F85843-1 | | 1 | ELECTRIC CONTROL CABLE - 18 FT. (507F6A 507FC6A) |
| 8 | FK1123 | | 2 | SPARKIE KIT |
| 9 | F8083 | | 3 | SPRING LOCKWASHER |
| 10 | F345683 | | 1 | WIRE - GROUND |
| 11 | F307317 | | 1 | CLIP, TERMINAL BLOCK - GROUND |
| 12 | F650450 | | 1 | RECTIFIER |
| 13 | F8056 | | 1 | SPRING LOCKWASHER |
| 14 | F1647 | | 1 | HEX NUT, 8 - 32 |
| 15 | 84-817765A2 | | 2 | COIL WIRE INCLUDES ITEMS 16 AND 17 ORIGINAL FORCE P/N A 307664-2 |
| - | F467841 | | 2 | COIL WIRE - CANADA |
| 16 | F203276 | | 2 | COIL BOOT |
| 17 | F203673-1 | | 2 | TERMINAL CLIP |
| 18 | F1922 | | 4 | HEX CAP SCREW, 1/4 - 20 X 5/8 |
| 19 | 817782--1 | | 1 | IGNITION KEY - NO LETTER OR STAMPED A |
| - | 817883--1 | | 1 | IGNITION KEY - STAMPED B |
| - | 817891--1 | | 1 | IGNITION KEY - STAMPED C |
| - | 817928--1 | | 1 | IGNITION KEY - STAMPED D |
| - | 817929--1 | | 1 | IGNITION KEY - STAMPED E |
| 20 | F1280 | | 5 | PAN HD SCREW, 8 - 32 X 1/4 |
| 21 | F5H078 | | 1 | IGNITION SWITCH (ACCESSORY ITEM) W/ ILLUS. 19 AND 20 |
| 22 | F5H038 | | 1 | IGNITION SWITCH MOUNTING KIT (ACCESSORY ITEM) W/ILLUS. 23 |
| - | 817892--1 | | 1 | PLATE IGNITION SWITCH CANADA |
| 23 | F1934 | | 4 | FLAT HD SLOTTED SCREW, 6 X 1/2 |
| 24 | F629896 | | 1 | BATTERY CABLE (BAYLINER MODELS) |
| - | F381896-4 | | 1 | BATTERY CABLE (FORCE MODELS) |
| 25 | F5H041 | | 1 | BATTERY TERMINAL KIT (ACCESSORY ITEM) |
| 26 | 817887--1 | | 1 | DECAL, WIRING |
| - | FA27232 | | 1 | EMERGENCY STARTER ROPE (NOT SHOWN) WITH HANDLE |
| 27 | F380513 | | 1 | COIL CLAMP |
| 28 | F2016 | | 2 | FILL HD SCREW, 8 - 32 X 7/8 |
| 29 | F1164 | | 2 | FLAT HD SCREW, 5/16 - 18 X 1-1/8 |
| 30 | F380475 | | 2 | COIL |
| 31 | F1513 | | 9 | HEX NUT, 10 - 32 |
| 32 | F1733 | | 2 | PAN HD SCREW, 10 - 24 X 9/16 |

CONTINUED ON NEXT PAGE ➡

ALTERNATOR AND ELECTRICAL COMPONENTS



OB10002030

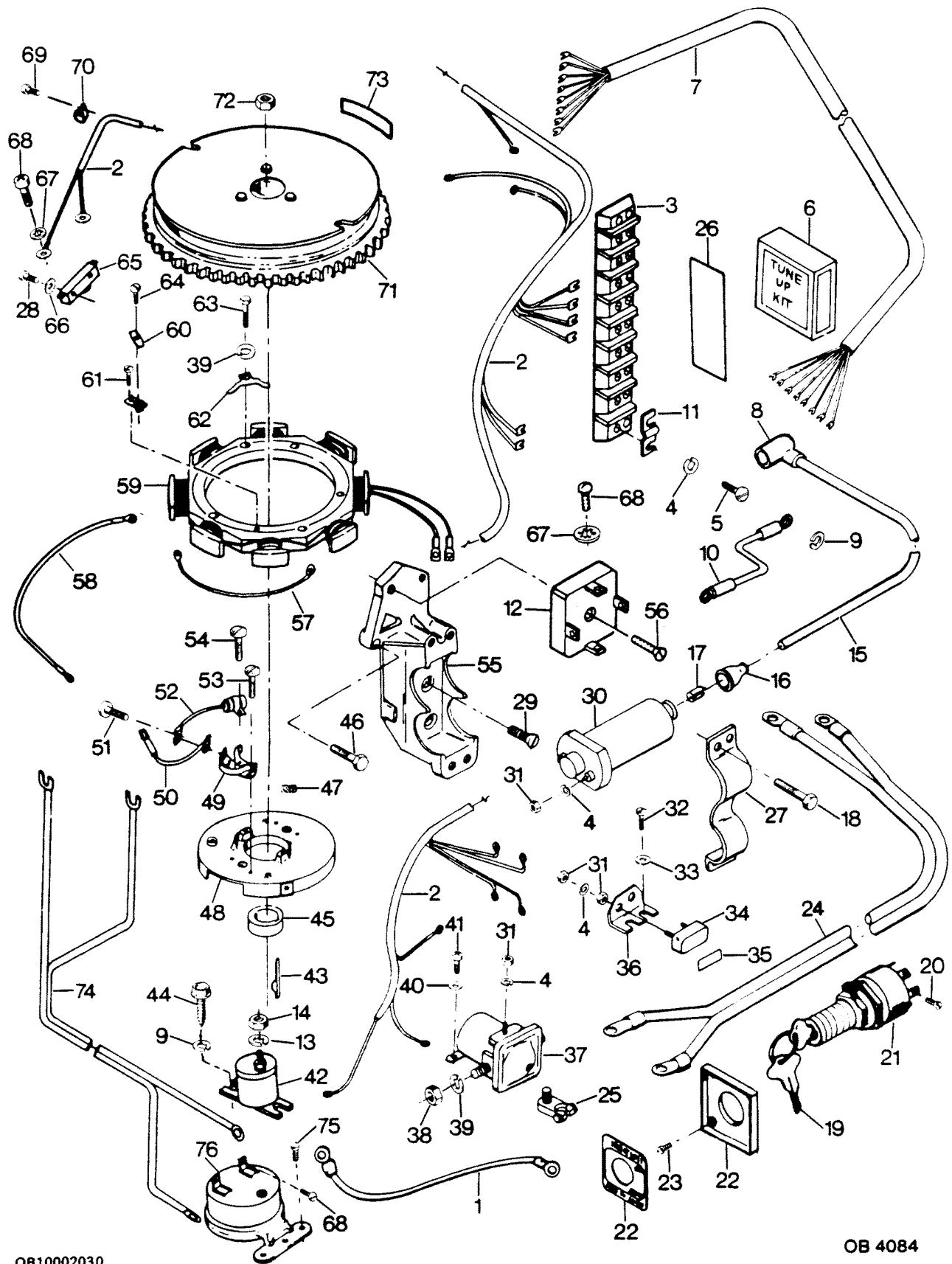
OB 4084

ALTERNATOR AND ELECTRICAL COMPONENTS

| REF. NO. | PART NO. | SYM. | QTY. | DESCRIPTION |
|----------|--------------|------|------|--|
| 33 | F8011 | | 2 | PLAIN WASHER |
| 34 | F510460 | | 1 | CIRCUIT BREAKER |
| 35 | F510374-1 | | 1 | DECAL, CIRCUIT BREAKER |
| 36 | F91446-1 | | 1 | CIRCUIT BREAKER BRACKET |
| 37 | F177917 | | 1 | STARTER RELAY |
| 38 | F1615 | | 2 | HEX NUT, 5/16 - 24 |
| 39 | F8096 | | 5 | SPRING LOCKWASHER |
| 40 | F8094 | | 1 | PLAIN WASHER |
| 41 | F1238 | | 2 | FILL HD SCREW, 1/4 - 20 X 3/4 |
| 42 | 89-817760A2 | | 1 | CHOKE SOLENOID W/ILLUS. 13 AND 14 ORIGINAL FORCE P/N A 289924-1 |
| 43 | F92498 | | 1 | KEY |
| 44 | F1854 | | 2 | HEX HD SCREW, 1/4 - 20 X 5/8 |
| 45 | F268002-2 | | 1 | CAM |
| 46 | F1532 | | 1 | HEX HD SCREW, 1/4 - 20 X 1 |
| 47 | F12227 | | 2 | CAM WIPER - FELT |
| 48 | F12344 | | 1 | BREAKER PLATE |
| 49 | F12329-2 | | 2 | BREAKER POINT SET |
| 50 | F12174-1 | | 2 | PRIMARY INTERLEAD GROUP |
| 51 | F12189 | | 2 | CONDENSER MOUNT SCREW |
| 52 | F12139-1 | | 2 | CONDENSER |
| 53 | F12090 | | 4 | BREAKER CONTACT SCREW |
| 54 | F12170 | | 2 | CONDENSER MOUNT SCREW W/LOCKWASHER |
| 55 | F380501-1 | | 1 | COIL MOUNT |
| 56 | F1552 | | 1 | SLOTTED PAN HD SCREW, 8 - 32 X 1/2 |
| 57 | F12338 | | 1 | GROUND WIRE |
| 58 | F289664 | | 1 | WIRE STATOR GROUND |
| 59 | F466095 | | 1 | STATOR |
| 60 | F12172 | | 2 | TERMINAL COMPLETE INCLUDES ILLUS. 64 |
| 61 | F1958 | | 2 | PAN HD SCREW, 6 X 7/16 |
| 62 | F466479 | | 3 | BREAKER PLATE SHOE |
| 63 | F2071 | | 3 | HEX CAP SCREW, 5/16 - 18 X 1-3/8 |
| 64 | F12167 | | 2 | SCREW |
| 65 | F84449 | | 1 | NEUTRAL INTERLOCK SWITCH |
| 66 | F8088 | | 2 | PLAIN WASHER |
| 67 | F1704 | | 6 | INTERNAL TOOTH LOCKWASHER |
| 68 | F1645 | | 8 | RD HD SELF-TAPPING SCREW, 6 - 32 X 1/4 |
| 69 | F1110 | | 1 | SLOTTED FILL HD SCREW, 1/4 - 20 X 5/8 |
| 70 | F260446-1 | | 1 | CLAMP |
| 71 | 200-817739A6 | | 1 | FLYWHEEL W/ILLUS. 73 ORIGINAL FORCE P/N A 203097-5 |
| 72 | F1920 | | 1 | HEX NUT, 5/8 - 18 |
| 73 | FA609853 | | 1 | DECAL, WARNING W/LITERATURE |
| 74 | F404841 | | 1 | CABLE OVERHEAT BUZZER |

CONTINUED ON NEXT PAGE ➡

ALTERNATOR AND ELECTRICAL COMPONENTS



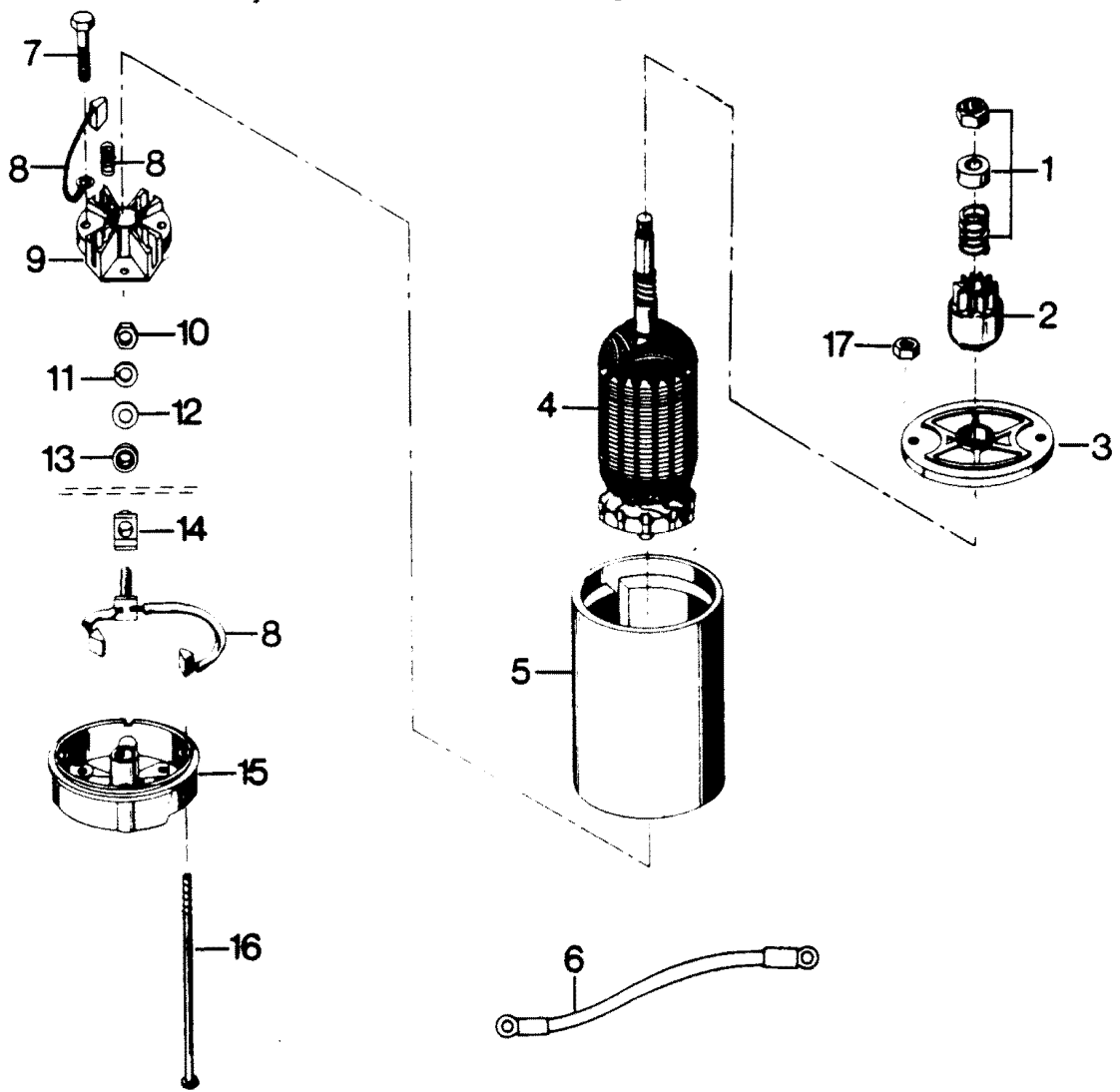
OB10002030

OB 4084

ALTERNATOR AND ELECTRICAL COMPONENTS

| REF. NO. | PART NO. | SYM. | QTY. | DESCRIPTION |
|----------|----------|------|------|----------------------------------|
| 75 | F1741 | | 2 | PAN HD SCREW, 8-3/4 |
| 76 | F5H073 | | 1 | OVERHEAT BUZZER (ACCESSORY ITEM) |

ELECTRIC STARTER

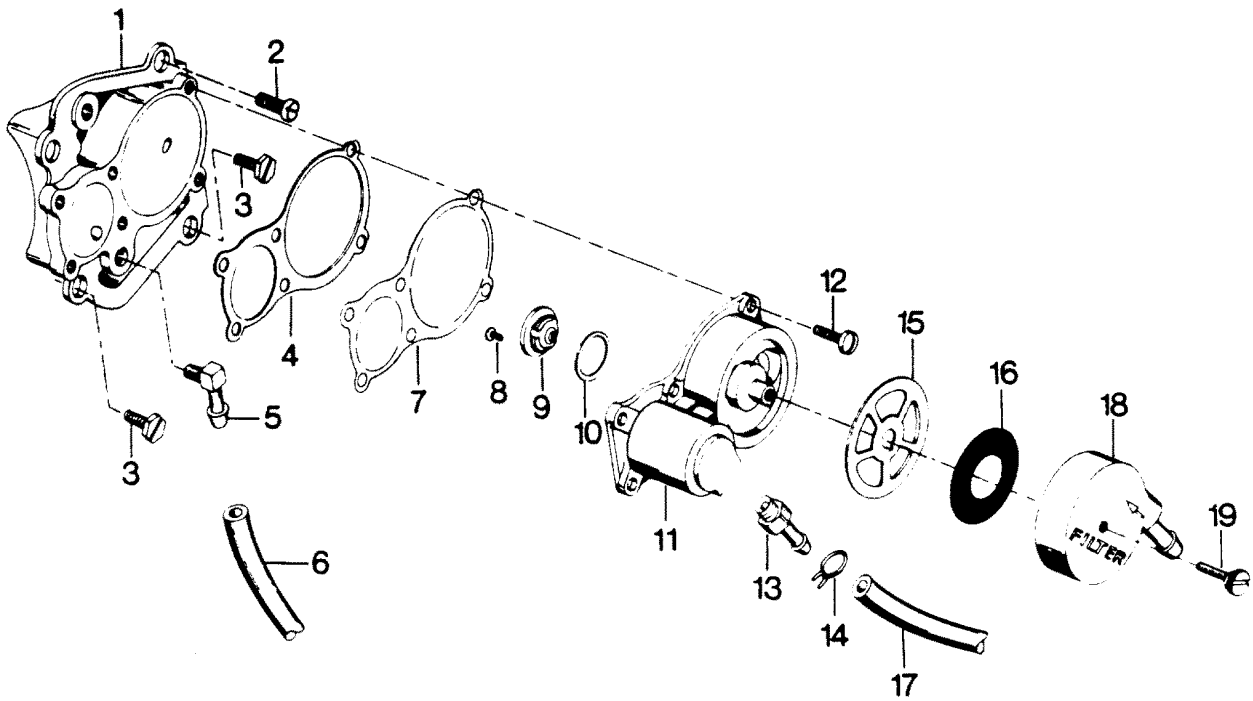


002031

ELECTRIC STARTER

| REF. NO. | PART NO. | SYM. | QTY. | DESCRIPTION |
|----------|----------------|------|----------|---|
| 1 | F15181 | | 1 | DRIVE KIT |
| 2 | F15182 | | 1 | DRIVE PINION |
| 3 | F15154 | | 1 | CAP, DRIVE END |
| 4 | F15183 | | 1 | ARMATURE |
| 6 | F85908-1 | | 1 | WIRE, STARTER |
| 7 | F15158 | | 2 | SCREW, BRUSH HOLDER |
| 8 | F15164 | | 1 | BRUSH KIT |
| 9 | F15157 | | 1 | HOLDER, BRUSH |
| 10 | F15162 | | 1 | NUT |
| 11 | F15152 | | 1 | LOCKWASHER |
| 12 | F15161 | | 1 | PLAIN WASHER |
| 13 | F15160 | | 1 | INSULATOR WASHER |
| 14 | F15159 | | 1 | INSULATOR |
| 15 | F15179 | | 1 | CAP COMMUTATOR END W/BRUSHES AND BRUSH HOLDER |
| 16 | F15184 | | 2 | THRU BOLT |
| 17 | F7008 | | 2 | STOP NUT |
| - | F575955 | | 1 | STARTER MOTOR COMPLETE |

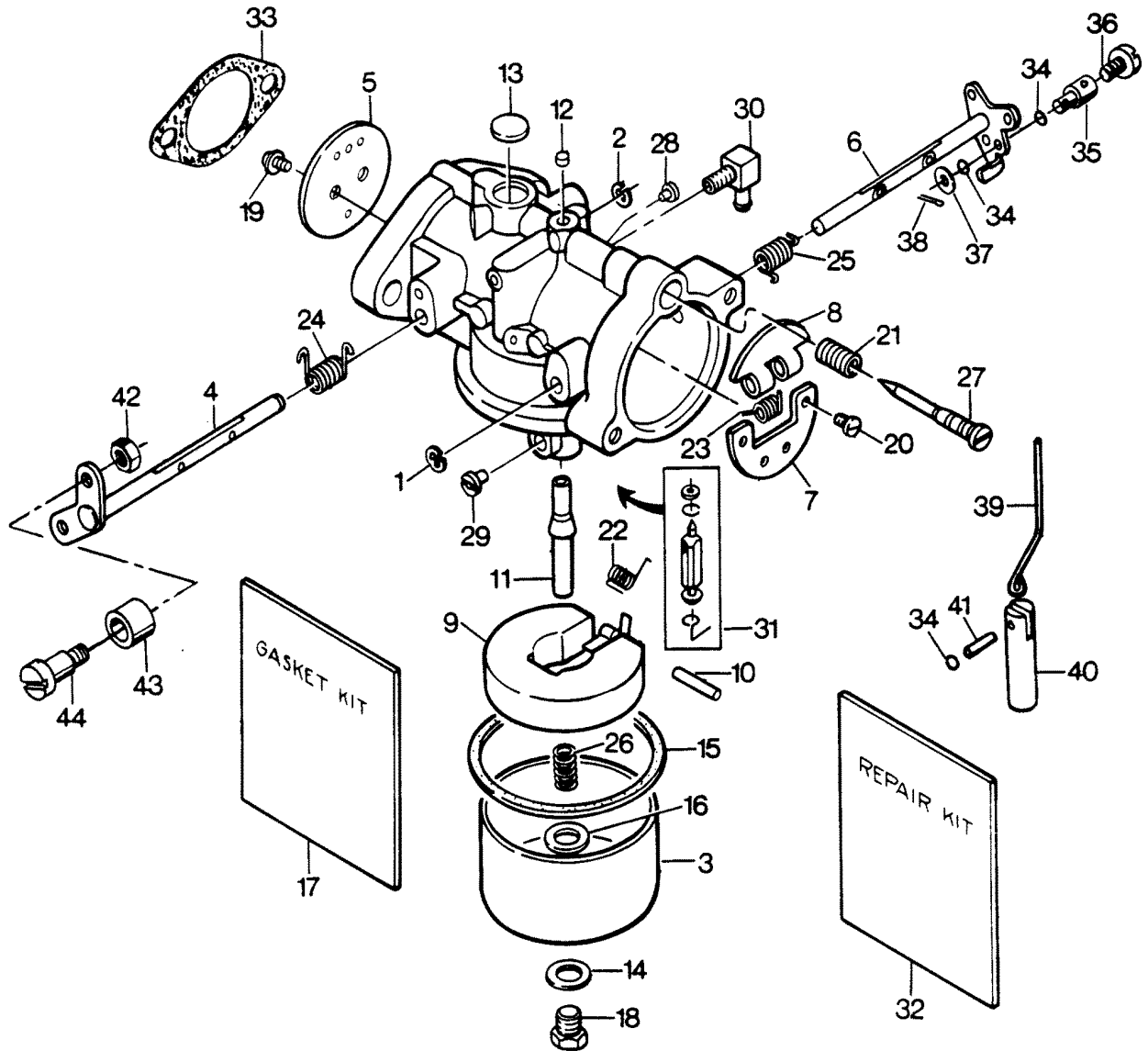
FUEL PUMP



FUEL PUMP

| REF. NO. | PART NO. | SYM. | QTY. | DESCRIPTION |
|----------|----------|------|------|---|
| 1 | FA439746 | | 1 | FUEL PUMP COVER W/LITERATURE |
| 2 | F1110 | | 1 | SLOTTED FILL HD SCREW, 1/4 - 20 X 5/8 |
| 3 | F1922 | | 2 | HEX HD SCREW, 1/4 - 20 X 5/8 |
| 4 | F438760 | | 1 | FUEL PUMP GASKET |
| 5 | F84314-2 | | 1 | ELBOW |
| 6 | F434758 | | 1 | FUEL PUMP IMPULSE HOSE |
| 7 | F438747 | | 1 | FUEL PUMP DIAPHRAGM |
| 8 | F1860 | | 2 | SLOTTED BINDING HD SCREW, 6 - 32 X 1/4 |
| 9 | F177330 | | 3 | FUEL PUMP VALVE |
| 10 | F84792 | | 1 | FUEL PUMP VALVE GASKET |
| 11 | FA438431 | | 1 | FUEL PUMP BODY W/ILLUS. 8, 9 AND 10 |
| 12 | F1108 | | 6 | FILL HD SCREW W/SPRING LOCKWASHER, 1/4 - 20 X 3/4 |
| 13 | F438801 | | 1 | ELBOW |
| 14 | F97772 | | 2 | FUEL LINE CLAMPS |
| 15 | F438617 | | 1 | FUEL SEDIMENT BOWL GASKET |
| 16 | F438653 | | 1 | FUEL PUMP SCREEN |
| 17 | F434754 | | 1 | FUEL LINE, PUMP TO CARBURETOR |
| 18 | F438500 | | 1 | FUEL SEDIMENT BOWL |
| 19 | F438165 | | 1 | SCREW, FUEL BOWL |

CARBURETOR

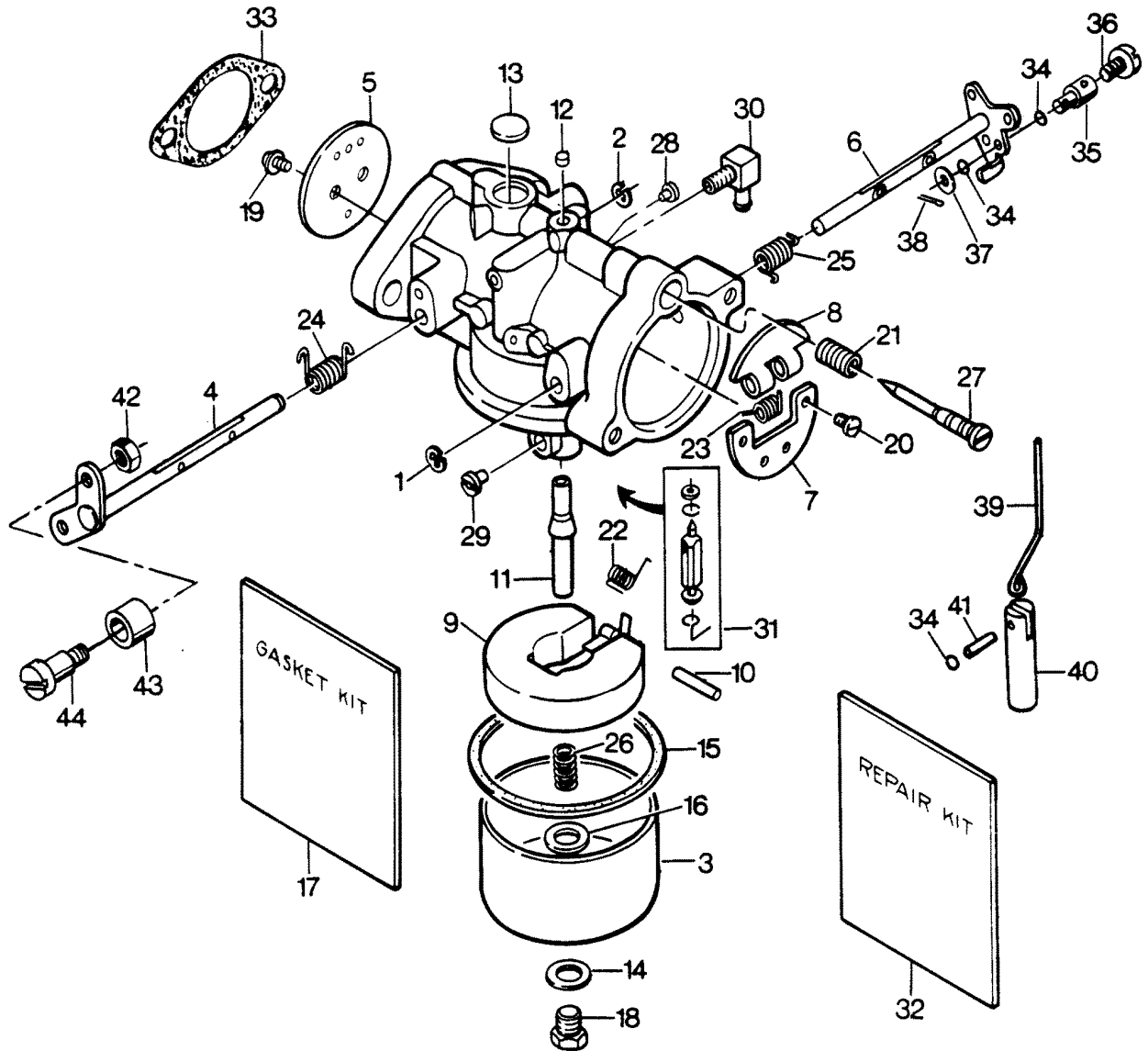


CARBURETOR

| REF. NO. | PART NO. | SYM. | QTY. | DESCRIPTION |
|----------|-----------------|------|------|---|
| - | FK628061 | | 1 | CARBURETOR ASSEMBLY (WE-13) |
| 1 | F10210 | | 1 | RING |
| 2 | F10131 | | 1 | SHAFT RETAINER RING |
| 3 | F10127 | | 1 | FUEL BOWL |
| 4 | F10193 | | 1 | THROTTLE SHAFT ASSEMBLY |
| 5 | F10207 | | 1 | THROTTLE VALVE |
| 6 | F10159 | | 1 | CHOKE SHAFT ASSEMBLY |
| 7 | F10128 | | 1 | CHOKE VALVE |
| 8 | F10129 | | 1 | CHOKE RELIEVING VALVE |
| 9 | F10135 | | 1 | FLOAT ASSEMBLY |
| 10 | F10208 | | 1 | PIN, FLOAT ASSEMBLY |
| 11 | F10137 | | 1 | NOZZLE |
| 12 | F10152 | | 4 | CUP PLUG |
| 13 | F10153 | | 1 | WELCH PLUG |
| 14 | F10067 | | 1 | BOWL RETAINER GASKET |
| 15 | F10138 | | 1 | BOWL RING GASKET |
| 16 | F10206 | | 1 | BOWL RETAINER GASKET |
| 17 | FK10209 | | 1 | GASKET KIT. INCLUDES ALL ITEMS MARKED WITH A DOUBLE ASTERISK (**). |
| 18 | F10205 | | 1 | BOWL RETAINER SCREW |
| 19 | F10155 | | 2 | VALVE SCREW |
| 20 | F10140 | | 2 | VALVE SCREW |
| 21 | F10141 | | 1 | IDLE NEEDLE SPRING |
| 22 | F10142 | | 1 | FLOAT SUPPORT SPRING |
| 23 | F10130 | | 1 | CHOKE VALVE SPRING |
| 24 | F10192 | | 1 | THROTTLE RETURN SPRING |
| 25 | F10191 | | 1 | CHOKE RETURN SPRING |
| 26 | 10204 | | 1 | NOZZLE SPRING |
| 27 | F10146 | | 1 | NEEDLE, IDLE |
| 28 | F10197 | | 1 | JET (.046) |
| 29 | F10229 | | 1 | MAIN FUEL JET (.084) |
| - | F10230 | | - | JET SIZE. (.082) 2500 - 5000 FT. |
| - | F10203 | | - | JET SIZE. (.080) 5000 - 7500 FT. |
| - | F10210 | | - | JET SIZE. (.078) 7500 - 10,000 FT. |
| 30 | F10156 | | 1 | FUEL FITTING, ELBOW |
| 31 | FK10120-1 | | 1 | FLOAT KIT, VALVE & SEAT |
| 32 | FK10202 | | 1 | REPAIR KIT INCLUDES ALL ITEMS MARKED WITH SINGLE ASTERISK (*). |
| 33 | F40906-1 | | 1 | CARBURETOR GASKET |
| 34 | F184579 | | 3 | SEAL, CHOKE ARM SWIVEL |
| 35 | F184033-1 | | 1 | SWIVEL, CHOKE ROD |
| 36 | F1059 | | 1 | FILL HD SCREW 6 - 32 X 1/4 |
| 37 | F8088 | | 2 | PLAIN WASHER |
| 38 | F1014 | | 1 | COTTER PIN |

CONTINUED ON NEXT PAGE ➡

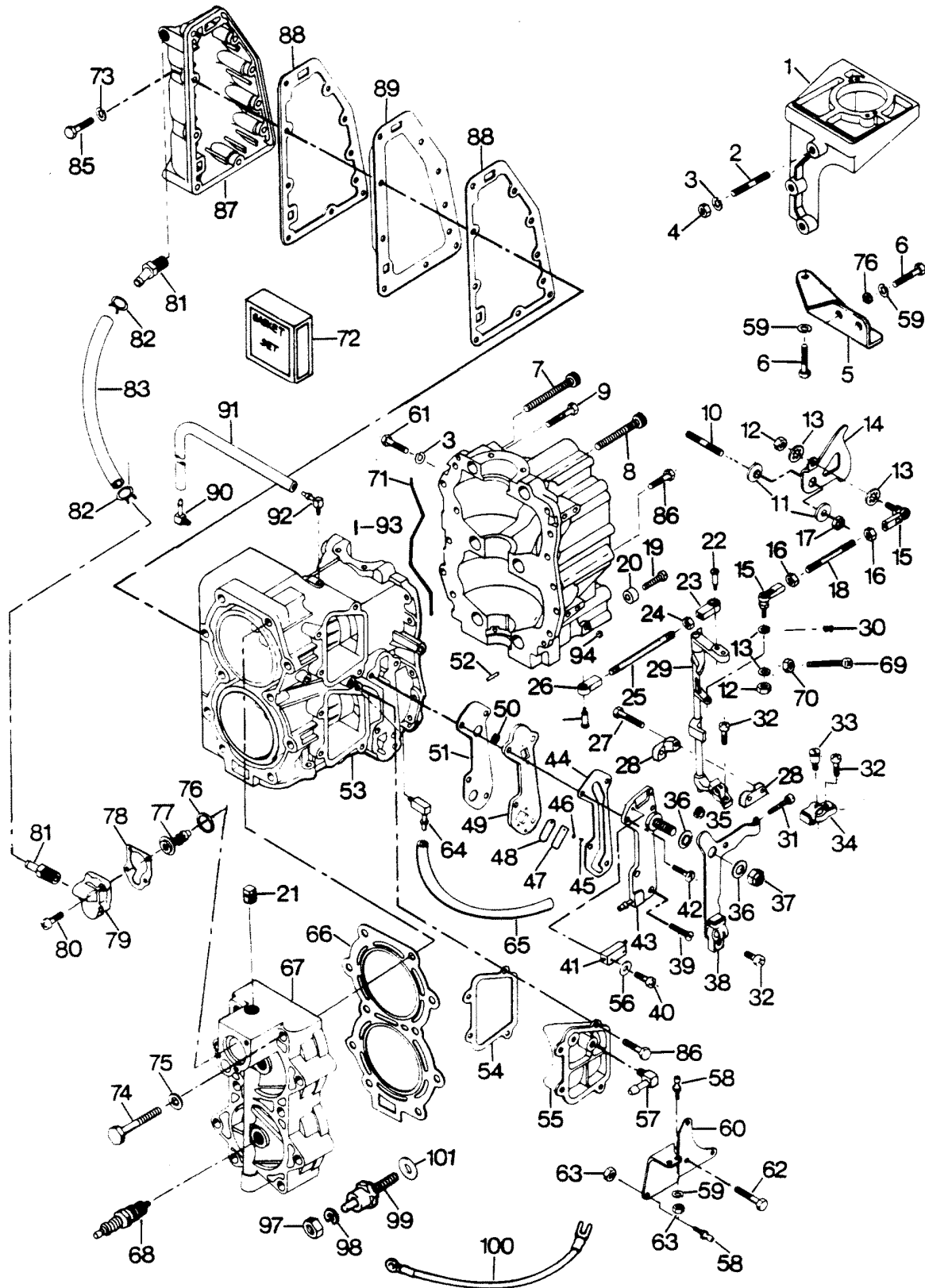
CARBURETOR



CARBURETOR

| REF. NO. | PART NO. | SYM. | QTY. | DESCRIPTION |
|----------|-----------|------|------|------------------------|
| 39 | F452925 | | 1 | CHOKE SOLENOID ROD |
| 40 | F391926-1 | | 1 | CHOKE SOLENOID PLUNGER |
| 41 | F2033 | | 1 | GROVE PIN |
| 42 | F1997 | | 1 | STOP NUT 8-32 |
| 43 | F92759 | | 1 | ROLLER |
| 44 | F333316 | | 1 | THROTTLE ROLLER SHAFT |

POWER HEAD



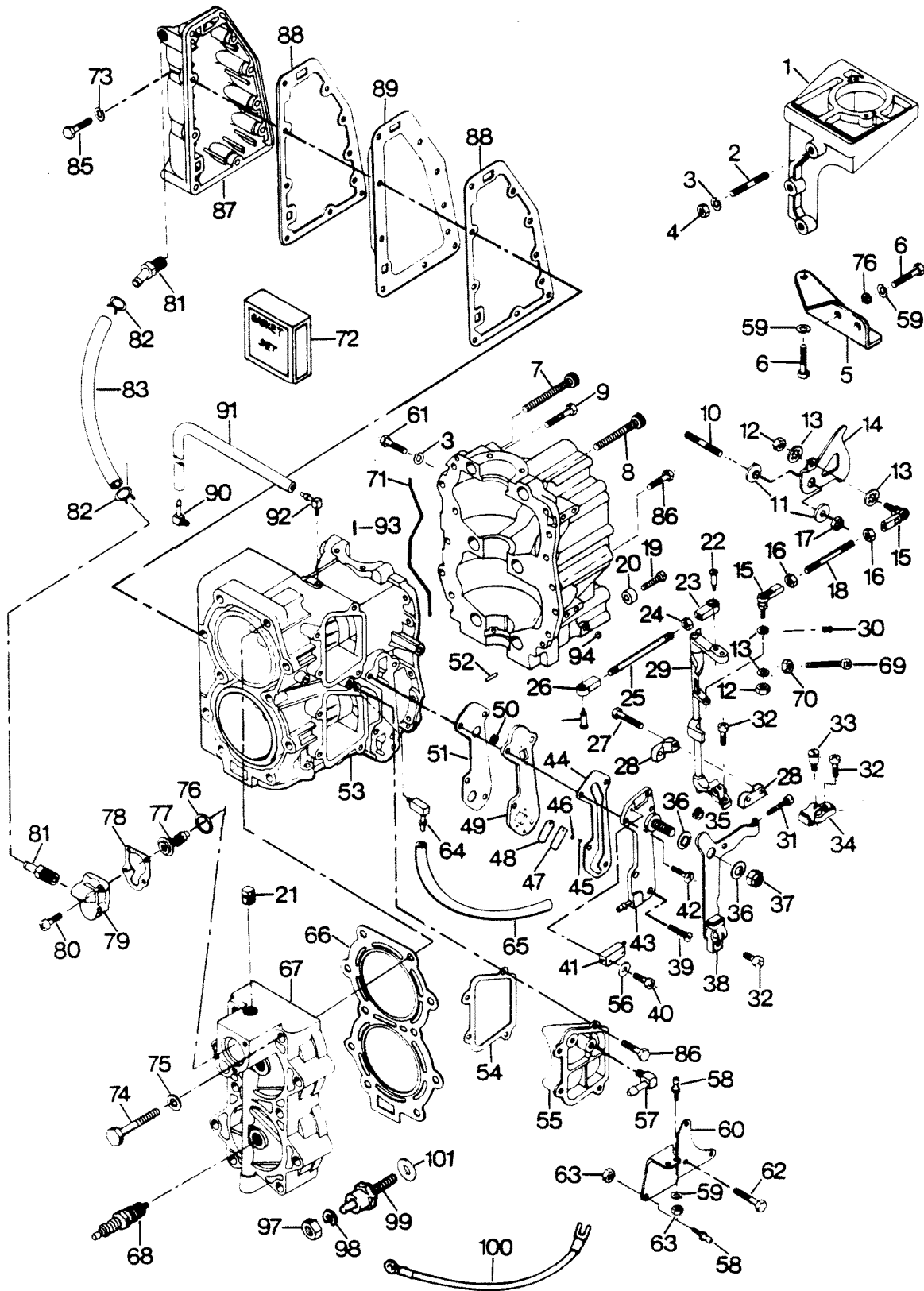
OR10002035

POWER HEAD

| REF. NO. | PART NO. | SYM. | QTY. | DESCRIPTION |
|----------|-----------|------|------|---|
| 1 | F345427-1 | | 1 | BRACKET, STARTER MOUNTING |
| 2 | F307211 | | 3 | STUD |
| 3 | F8096 | | 4 | SPRING LOCKWASHER |
| 4 | F1515 | | 3 | HEX NUT, 5/16 - 18 |
| 5 | F575675 | | 1 | STARTER MOUNTING BRACKET - LOWER |
| 6 | F1854 | | 3 | HEX SLOT HD SCREW, 1/4 - 20 X 5/8 |
| 7 | F1646 | | 1 | HEX SOCKET HD CAP SCREW, 3/8 - 16 X 2-1/4 |
| 8 | F1879 | | 5 | HEX SOCKET HD CAP SCREW, 3/8 - 16 X 1-5/8 |
| 9 | F1864 | | 9 | HEX HD SCREW, 1/4 - 20 X 3/4 |
| 10 | F433209-1 | | 1 | STUD, THROTTLE CAM |
| 11 | F269319 | | 2 | THROTTLE CAM BEARING |
| 12 | F1513 | | 2 | HEX NUT, 10 - 32 |
| 13 | F8058 | | 4 | INTERNAL TOOTH LOCKWASHER |
| 14 | F433192 | | 1 | THROTTLE CAM |
| 15 | 817747--1 | | 2 | BALL JOINT W/BEARING |
| 16 | F1513 | | 2 | HEX NUT, 10 - 32 |
| 17 | F7008 | | 1 | ELASTIC STOP NUT, 1/4 - 20 |
| 18 | F85502 | | 1 | THROTTLE LINK |
| 19 | F1134 | | 2 | FILL HD SCREW, 8 - 32 X 1-1/8 |
| 20 | F307942-1 | | 2 | BUMPER |
| 21 | F328109 | | 1 | PLUG |
| 22 | F84026 | | 2 | SPARK CONTROL SWIVEL |
| 23 | F84036 | | 1 | SPARK CONTROL BEARING, L.H. |
| 24 | F1473 | | 1 | HEX NUT, 10 - 24 |
| 25 | F269445-1 | | 1 | SPARK CONTROL LINK |
| 26 | F84035-2 | | 1 | SPARK CONTROL BEARING, R.H. |
| 27 | F1995 | | 4 | FILL HD SCREW, 10 - 24 X 1 |
| 28 | F433689 | | 4 | TOWERSHAFT BEARING |
| 29 | FK433838 | | 1 | TOWERSHAFT W/ILLUS. 34, 69, 70 AND LITERATURE |
| 30 | F1727 | | 1 | PLASTIC RIVET |
| 31 | F1969 | | 1 | FILL HD SCREW, 1/4 - 20 X 3/4 |
| 32 | F1556 | | 2 | FILL HD SCREW, W/LOCKWASHER, 10 - 24 X 3/8 |
| 33 | F405457 | | 2 | PIVOT SCREW |
| 34 | FK405020 | | 1 | SWIVEL W/ILLUS. 33 AND NUT |
| 35 | F85610 | | 1 | BEARING |
| 36 | F269052 | | 2 | SHIFT ARM BEARING |
| 37 | F7004 | | 1 | STOP NUT, 7/16 - 20 |
| 38 | 817793A1 | | 1 | SHIFT ARM W/ILLUS. 34 AND 35 ORIGINAL FORCE P/N A 433876-1 |
| 39 | F1136 | | 2 | FLAT HD SCREW, 1/4 - 20 X 1 |
| 42 | F1446 | | 2 | SLOTTED PAN HD SCREW, 1/4 - 20 X 1 |
| 43 | FA433471 | | 1 | CYLINDER DRAIN COVER W/FITTING |
| 44 | F93472-1 | | 1 | CYLINDER DRAIN COVER GASKET |

CONTINUED ON NEXT PAGE ➡

POWER HEAD



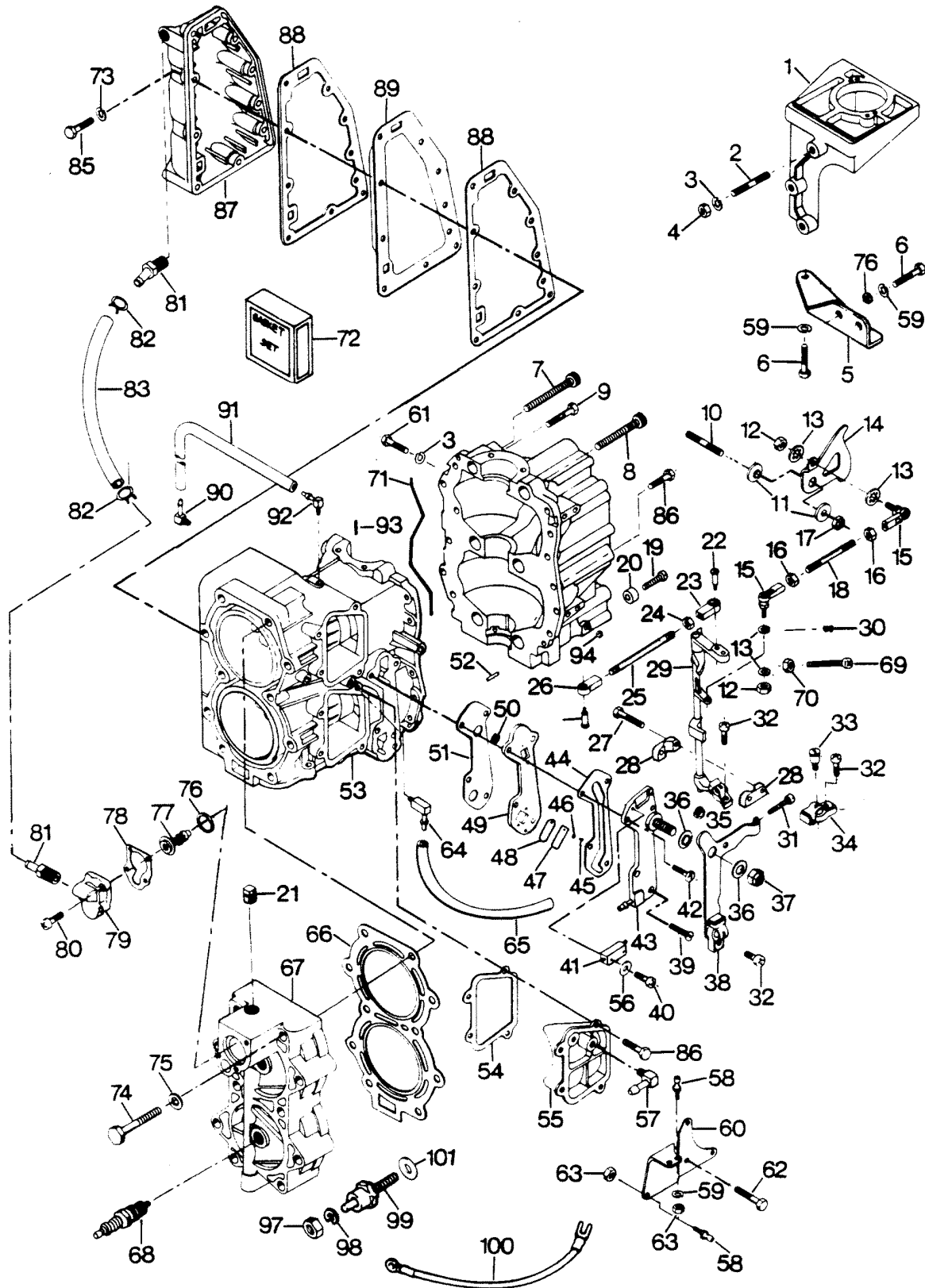
OR10002035

POWER HEAD

| REF. NO. | PART NO. | SYM. | QTY. | DESCRIPTION |
|----------|------------------|------|------|--|
| 45 | F1286 | | 2 | PAN HD SCREW, 4 - 40 X 3/16 |
| 46 | F8003 | | 2 | PLAIN WASHER |
| 47 | F93920 | | 2 | CYLINDER DRAIN REED STOP |
| 48 | F18160-3 | | 2 | REED, CYLINDER DRAIN |
| 49 | F3A433757 | | 1 | CYLINDER DRAIN REED PLATE W/ILLUS. 45, 46, 47, 48 AND 50 |
| 50 | F93811 | | 2 | SCREEN CYLINDER DRAIN REED PLATE |
| 51 | F93748-1 | | 1 | CYLINDER DRAIN REED PLATE |
| 52 | F8559 | | 2 | DOWEL PIN |
| 53 | FA465010 | | 1 | CYLINDER W/CRANKCASE COVER, DEFLECTOR PLATE ILLUS. 7, 8, 52, 71, 93 AND LITERATURE |
| - | FC465010 | | 1 | SHORT BLOCK. INCLUDES ALL ITEMS MARKED WITH AN ASTERISK (*). ALSO REFER TO CRANKSHAFT PAGE. |
| 54 | F40223 | | 2 | TRANSFER PORT COVER GASKET |
| 55 | FA411222 | | 1 | TRANSFER PORT COVER W/LITERATURE |
| 57 | F84314-2 | | 1 | ELBOW, FUEL LINE |
| 58 | F98273 | | 2 | ROD END CONNECTOR STUD |
| 59 | F8083 | | 3 | SPRING LOCKWASHER |
| 60 | 817746A1 | | 1 | CONNECTOR STUD BRACKET W/LITERATURE ORIGINAL FORCE P/N A 267371-1 |
| 61 | F1857 | | 1 | HEX CAP SCREW, 5/16 - 18 X 5/8 |
| 62 | F1864 | | 3 | HEX CAP SCREW, 1/4 - 20 X 3/4 |
| 63 | F1804 | | 2 | STOP NUT, 10 - 32 |
| 64 | F404801 | | 1 | ELBOW |
| 65 | F433254 | | 1 | HOSE |
| 66 | F201529-1 | | 1 | CYLINDER HEAD GASKET |
| 67 | 900-818049A2 | | 1 | CYLINDER HEAD W/PLUGS |
| 68 | 33-82371M | | 2 | SPARK PLUG (UL-4-J) |
| 69 | F1052 | | 1 | FILL HD SCREW, 1/4 - 20 X 1 |
| 70 | F1341 | | 1 | HEX NUT |
| 71 | F184122-1 | | 1 | CRANKCASE PARTING LINE SEAL (CUT TO 26") |
| 72 | FG1007-1 | | 1 | GASKET SET. INCLUDES ITEMS MARKED WITH A STAR (*) |
| - | F40154-3 | | 3 | GASKET, EXHAUST PORT PLATE |
| - | F40223 | | 1 | GASKET, TRANSFER PORT COVER |
| - | F40833-4 | | 1 | GASKET, IDLE RELIEF COVER |
| - | F40906-1 | | 1 | GASKET, CARBURETOR |
| - | F93472-1 | | 1 | GASKET, CYLINDER DRAIN COVER |
| - | F93748-1 | | 1 | GASKET, CYLINDER DRAIN REED PLATE |
| - | F97067 | | 1 | GASKET, THERMOSTAT COVER |
| - | F201529-1 | | 1 | GASKET, CYLINDER HEAD |
| - | F184122-1 | | 1 | CRANKCASE PARTING LINE SEAL |
| - | F307279-2 | | 1 | GASKET, CYLINDER EXHAUST - UPPER |
| - | F40279-1 | | 1 | GASKET, CYLINDER EXHAUST - LOWER |
| - | F311996 | | 1 | GASKET, CYLINDER HEAD COVER |

CONTINUED ON NEXT PAGE ➡

POWER HEAD

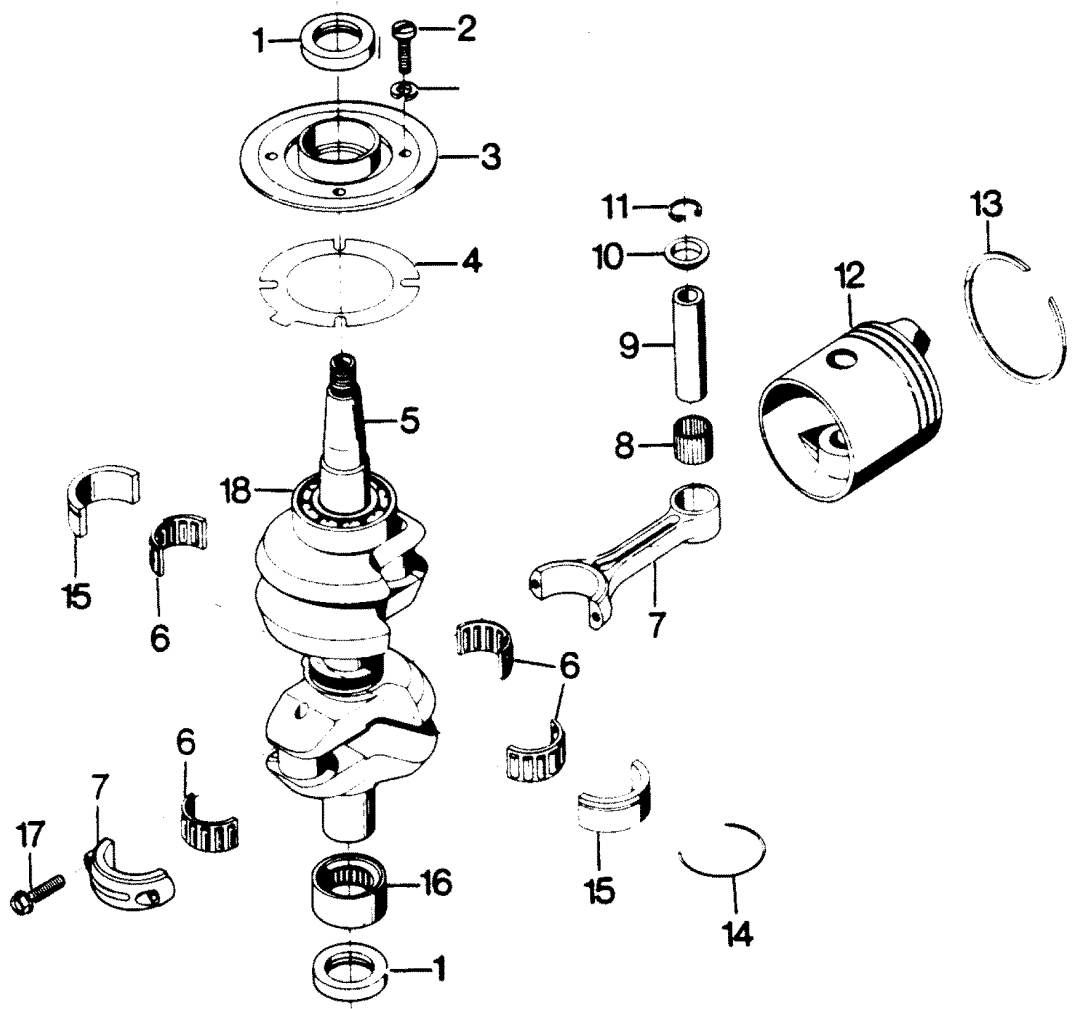


OR10002035

POWER HEAD

| REF. NO. | PART NO. | SYM. | QTY. | DESCRIPTION |
|----------|-------------|------|------|---|
| - | F366277 | | 1 | GASKET, BEARING CAGE |
| - | F433168 | | 1 | GASKET, CARBURETOR ADAPTER |
| - | F433406 | | 1 | GASKET, DEFLECTOR PLATE |
| 73 | F8083 | | 9 | SPRING LOCKWASHER |
| 74 | F1544 | | 10 | HEX HD CAP SCREW, 3/8 - 16 X 2-1/4 |
| 75 | F2014 | | 10 | PLAIN WASHER |
| 76 | F97504 | | 1 | GROMMET, THERMOSTAT |
| 77 | F97068-2 | | 1 | THERMOSTAT (130-) |
| 78 | F97067 | | 1 | THERMOSTAT COVER GASKET |
| 79 | F97066-1 | | 1 | THERMOSTAT COVER |
| 80 | F1995 | | 3 | FILL HD SCREW, 10 - 24 X 1-1/16 |
| 81 | F97275 | | 2 | FITTING, THERMOSTAT |
| 82 | F97772 | | 2 | CLAMP |
| 83 | FA97247 | | 1 | WATER TUBE, THERMOSTAT W/LITERATURE |
| 85 | F1971 | | 9 | HEX HD SCREW, 1/4 - 20 X 2-1/8 |
| 86 | F1922 | | 5 | HEX HD SCREW, 1/4 - 20 X 5/8 |
| 87 | FA433152 | | 1 | EXHAUST PORT COVER W/ILLUS. 85 |
| 88 | F40154-3 | | 2 | EXHAUST PORT PLATE GASKET |
| 89 | F40151-1 | | 1 | EXHAUST PORT PLATE |
| 90 | F463314 | | 1 | ELBOW W/VALVE |
| 91 | FS433758 | | 1 | HOSE W/VALVE |
| 92 | 22-817740A1 | | 1 | ELBOW W/METERING CAP |
| 93 | F8545 | | 1 | SPRING PIN |
| 94 | F1997 | | 2 | STOP NUT, 8 - 32 |
| 95 | F1526 | | 1 | WELCH PLUG, CYLINDER HEAD (NOT SHOWN) |
| 96 | F1525 | | 1 | WELCH PLUG, CYLINDER HEAD (NOT SHOWN) |
| 97 | F1647 | | 1 | HEX NUT |
| 98 | F8056 | | 1 | LOCKWASHER |
| 99 | 87-817939A1 | | 1 | THERMOSWITCH W/ILLUS. 97, 98 AND 101 ORIGINAL FORCE P/N S 311449-1 |
| 100 | F307104 | | 1 | WIRE THERMOSWITCH |
| 101 | F295175 | | 1 | WASHER, INSULATING |

CRANKSHAFT AND PISTON GROUP

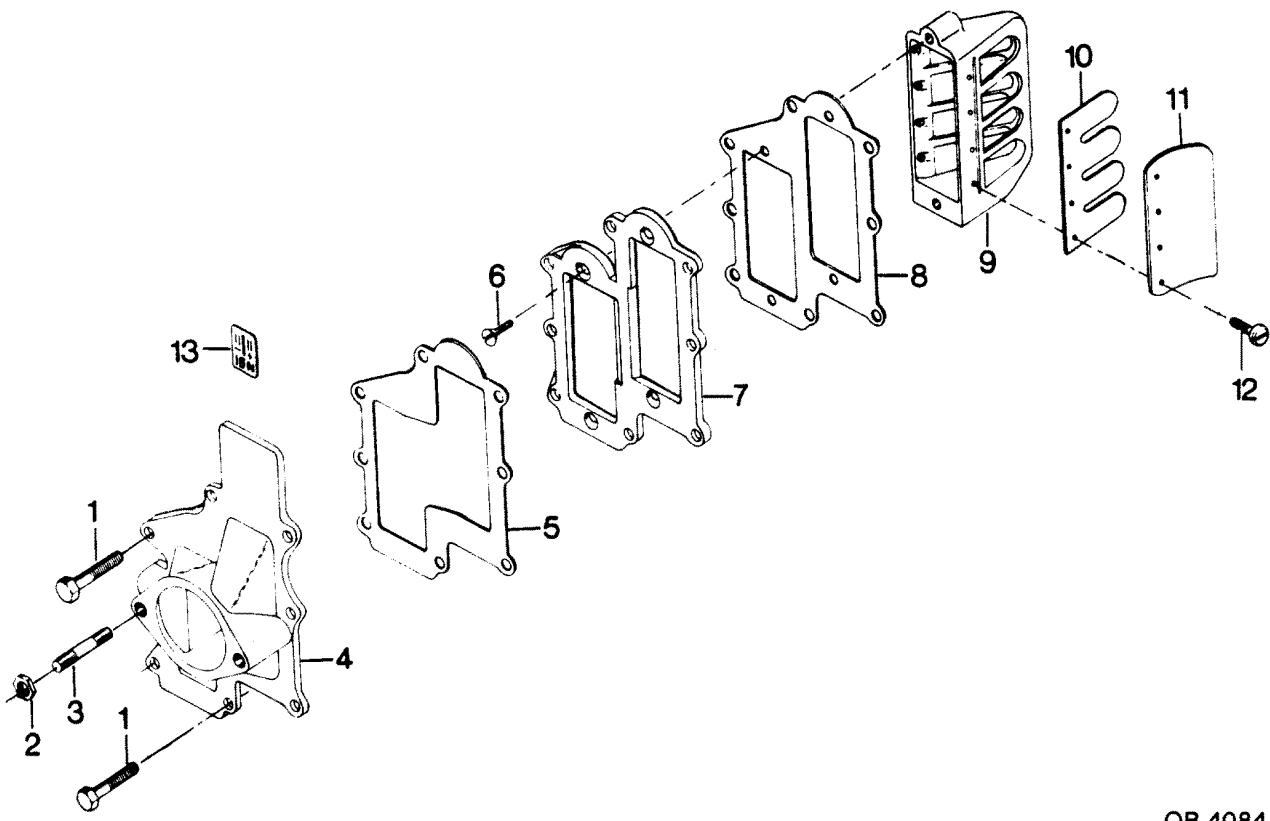


CR10002036

CRANKSHAFT AND PISTON GROUP

| REF. NO. | PART NO. | SYM. | QTY. | DESCRIPTION |
|----------|---------------------|------|----------|---|
| 1 | F40146-1 | | 2 | CRANKSHAFT SEAL |
| 2 | F1441 | | 4 | PAN HD SCREW, 1/4 - 20 X 7/8 |
| 3 | FA466144 | | 1 | CRANKSHAFT BEARING CAGE W/ILLUS. 1 |
| 4 | F366277 | | 1 | BEARING CAGE GASKET |
| 5 | FA435018 | | 1 | CRANKSHAFT W/ILLUS 18 |
| 6 | FK85228-1 | | 2 | BEARING CAGE W/ROLLERS (16 PER SET) |
| 7 | 600-818052A4 | | 2 | CONNECTING ROD W/CAP AND ILLUS. 17 ORIGINAL FORCE P/N S 366016-4 |
| 8 | F335217-1 | | 2 | BEARING |
| 9 | F40017-2 | | 2 | PISTON PIN |
| 10 | F366215 | | 0 | SPACER |
| 11 | F428096 | | 4 | RETAINER, PISTON PIN |
| 12 | F428015-1 | | 2 | PISTON, STANDARD |
| - | 700-817990A2 | | 2 | PISTON .010 OVERSIZE |
| - | 700-818114A2 | | 2 | PISTON .030 OVERSIZE |
| 13 | FA435260 | | 2 | PISTON RINGS (2 PER SET) STANDARD |
| - | FSA435260 | | 2 | PISTON RINGS (2 PER SET) .010 OVERSIZE |
| - | 39-818115A1 | | 2 | PISTON RINGS (2 PER SET) .030 OVERSIZE |
| 14 | F40410 | | 1 | SNAP RING |
| 15 | FA40655 | | 1 | CRANKSHAFT CENTER MAIN BEARING RACE W/ILLUS. 14 |
| 16 | F90014 | | 1 | CRANKSHAFT LOWER MAIN BEARING |
| 17 | F85634-2 | | 4 | CONNECTING ROD SCREW |
| 18 | F366013 | | 1 | CRANKSHAFT THRUST BEARING UPPER |
| 19 | F8060 | | 4 | EXTERNAL TOOTH LOCKWASHER |

REED PLATE



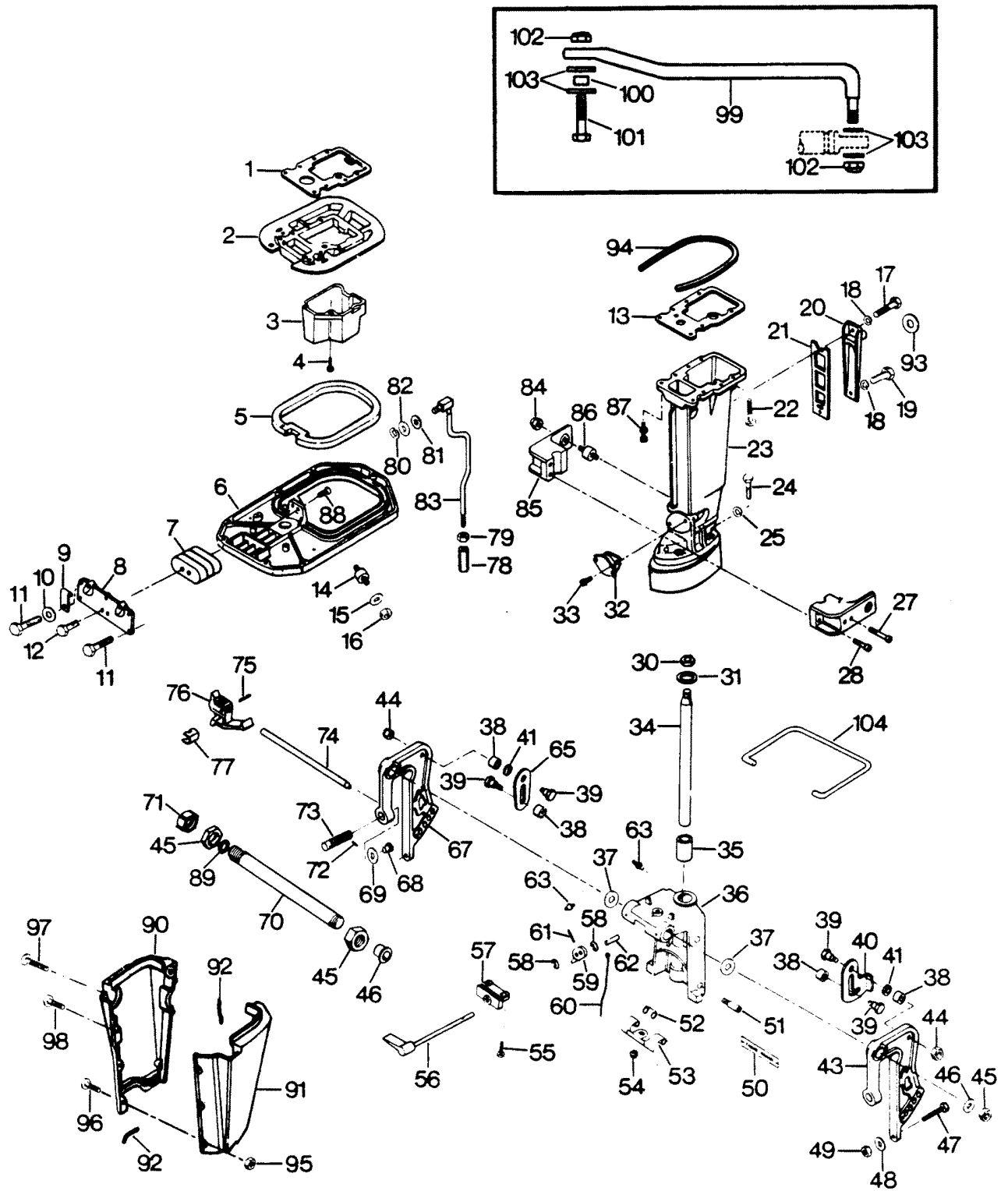
OB10002037

OB 4084

REED PLATE

| REF. NO. | PART NO. | SYM. | QTY. | DESCRIPTION |
|----------|-------------|------|------|---|
| 1 | F2008 | | 8 | HEX HD SCREW, 1/4 - 20 X 7/8 |
| 2 | F1515 | | 2 | HEX NUT, 5/16 - 18 |
| 3 | F40209 | | 2 | CARBURETOR STUD |
| 4 | FA433167 | | 1 | CARBURETOR ADAPTER FLANGE W/ILLUS. 3 |
| 5 | F433168 | | 1 | CARBURETOR ADAPTER GASKET |
| 6 | F1141 | | 4 | FLAT HD SCREW, 10 - 24 X 1/2 |
| 7 | F433404 | | 1 | DEFLECTOR PLATE |
| 8 | F433406 | | 1 | DEFLECTOR PLATE GASKET |
| 9 | FA658158 | | 2 | REED PLATE W/ILLUS. 10, 11 AND 12 |
| 10 | F316160 | | 4 | REED |
| 11 | F88161-4 | | 4 | REED STOP |
| 12 | F1755 | | 16 | ROUND HD SCREW W/LOCKWASHER, 6 - 32 X 1/4 |
| 13 | 37-817792A1 | | 1 | DECAL, TIMING W/LITERATURE ORIGINAL FORCE P/N A 433387-1 |

MOTOR LEG

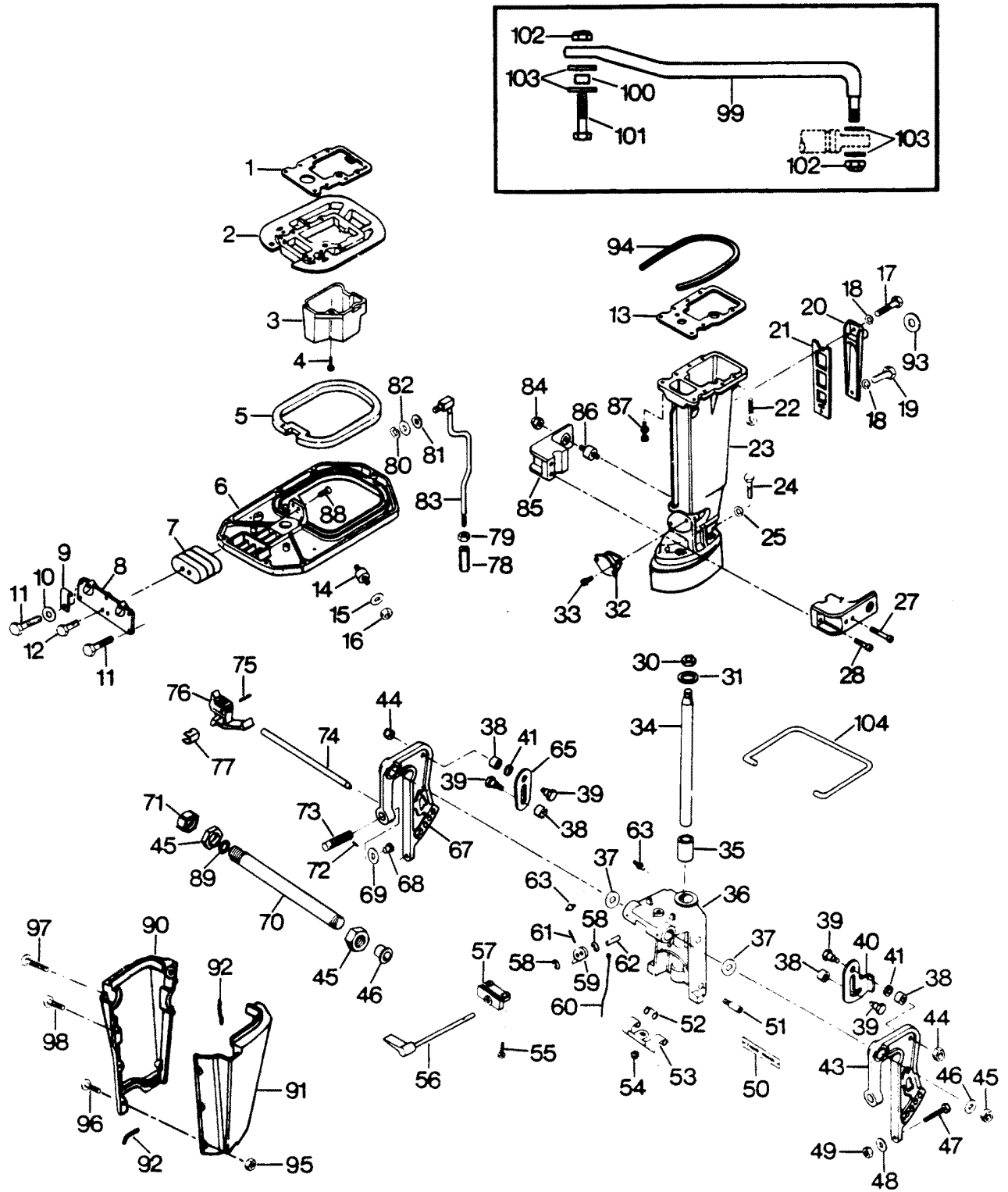


MOTOR LEG

| REF. NO. | PART NO. | SYM. | QTY. | DESCRIPTION |
|----------|-------------|------|------|---|
| 1 | F307279-2 | | 1 | CYLINDER EXHAUST GASKET UPPER |
| 2 | F433680 | | 1 | SPACER PLATE |
| 3 | F307660-1 | | 1 | LEG EXHAUST TUBE |
| 4 | F1851 | | 3 | FILL HD M. SCREW W/LOCKWASHER, 10 - 24 X 1/2 |
| 5 | 26-817766A1 | | 1 | SEAL, KINGPIN PLATE W/LITERATURE ORIGINAL FORCE P/N A 307989-1 |
| 6 | FS307940 | | 1 | KINGPIN PLATE |
| 7 | F203965 | | 1 | SHOCK MOUNT UPPER |
| 8 | F433946 | | 1 | SHOCK MOUNT UPPER COVER |
| 9 | F286772-1 | | 1 | CLAMP |
| 10 | F8025 | | 1 | PLAIN WASHER |
| 11 | F1922 | | 5 | HEX CAP SCREW, 1/4 - 20 X 5/8 |
| 12 | F1211 | | 2 | HEX HD SCREW W/LOCKWASHER, 1/4 - 28 X 5/8 |
| 13 | F40279-1 | | 1 | CYLINDER EXHAUST BASKET LOWER |
| 14 | F307962 | | 2 | SHOCK MOUNT - SIDE - UPPER |
| 15 | F8038 | | 2 | PLAIN WASHER |
| 16 | F1346 | | 2 | HEX NUT, 3/8 - 16 |
| 17 | F1849 | | 1 | HEX HD SCREW, S.S., 1/4 - 20 X 1-3/8 |
| 18 | F8083 | | 2 | SPRING LOCKWASHER |
| 19 | F1199 | | 1 | HEX HD SCREW, 1/4 - 20 X 1 |
| 20 | FA89832-2 | | 1 | MOTOR LEG EXHAUST COVER W/ILLUS. 17 & 19 |
| 21 | F40833-4 | | 1 | MOTOR LEG EXHAUST COVER GASKET |
| 22 | F1905 | | 1 | FILL HD SCREW, 1/4 - 20 X 3-7/16 |
| 23 | F435133-1 | | 1 | MOTOR LEG |
| 24 | F1929 | | 4 | HEX HD CAP SCREW, S.S., 3/8 - 16 X 1-1/8 |
| 25 | F8065 | | 4 | SPRING LOCKWASHER |
| 26 | F433973 | | 1 | SHOCK MOUNT LOWER COVER - PORT |
| 27 | F1635 | | 2 | HEX SOCKET HD CAP SCREW, S.S., 3/8 - 16 X 3-1/2 |
| 28 | F1636 | | 2 | HEX SOCKET HD CAP SCREW, S.S., 3/8 - 16 X 1-1/4 |
| 30 | F84280 | | 1 | KINGPIN NUT |
| 31 | F89011 | | 1 | SWIVEL BRACKET WASHER |
| 32 | F183346-1 | | 1 | SHOCK MOUNT LOWER |
| 33 | F1129 | | 4 | FILL HD SCREW, S.S., 5/16 - 18 X 1/2 |
| 34 | 819331A2 | | 1 | KINGPIN |
| 35 | F191169-1 | | 2 | SWIVEL BRACKET BEARING |
| 36 | FA613072 | | 1 | SWIVEL BRACKET W/ILLUS. 35 & 63 |
| 37 | F522286 | | 2 | STERN BRACKET FRICTION WASHER |
| 38 | F269929 | | 4 | SPACER, TILT STOP |
| 39 | F366350-1 | | 4 | TILT STOP PIVOT |
| 40 | F366426 | | 1 | TILT STOP - PORT |
| 41 | F1666 | | 2 | BOWED SPRING WASHER |
| 43 | F522532-1 | | 1 | STERN BRACKET - PORT |
| 44 | F7007 | | 4 | NUT |

CONTINUED ON NEXT PAGE ➡

MOTOR LEG

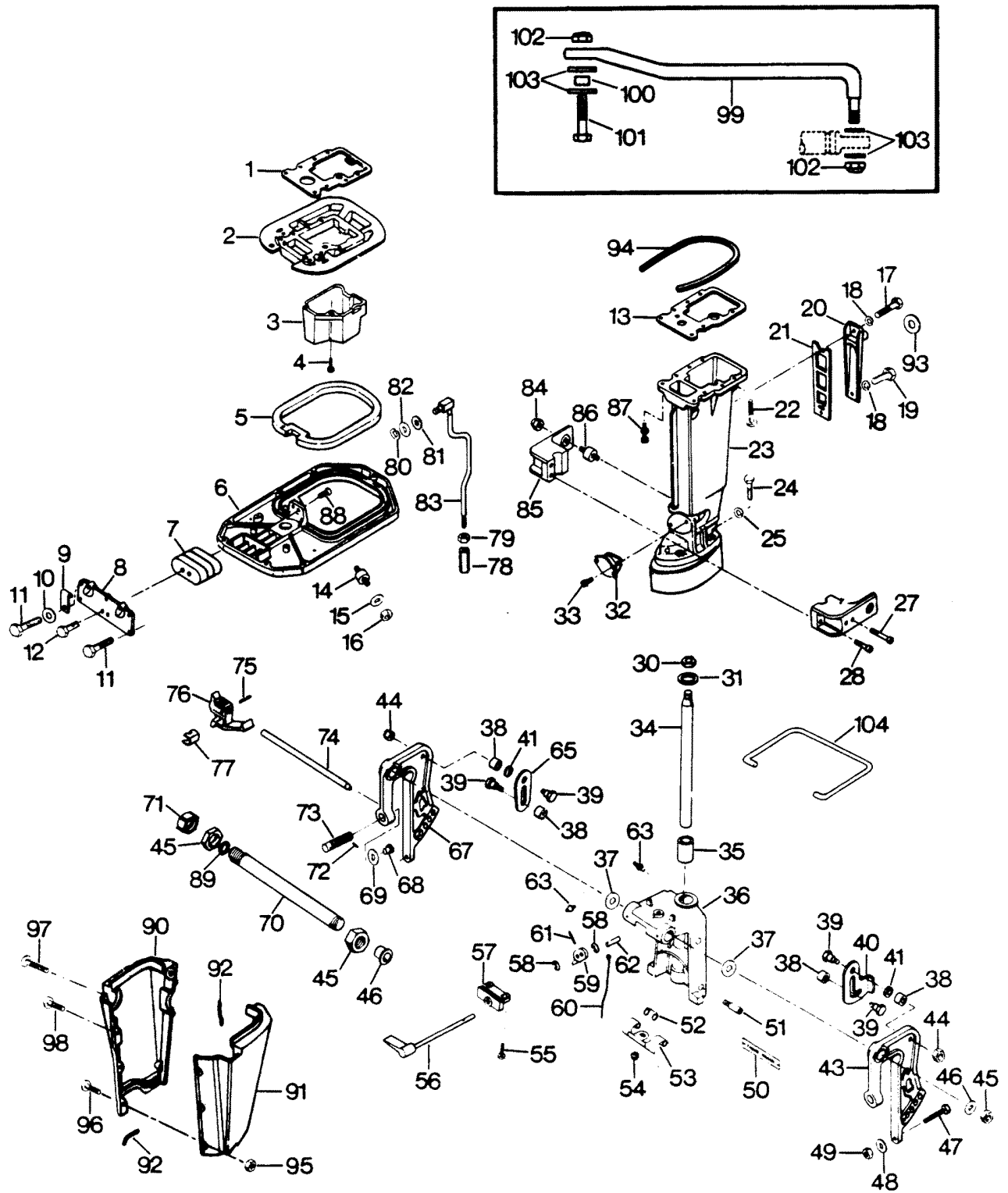


MOTOR LEG

| REF. NO. | PART NO. | SYM. | QTY. | DESCRIPTION |
|----------|-----------|------|------|--|
| 45 | F1600 | | 2 | LOCK NUT, PIVOT TUBE |
| 46 | F9052 | | 2 | PLASTIC PLUG, PIVOT TUBE |
| 47 | F1593 | | 2 | HEX HD SCREW, S.S., 3/8 - 16 X 3 |
| 48 | F1904 | | 2 | PLAIN WASHER |
| 49 | F1346 | | 2 | HEX NUT, S.S., 3/8 - 16 |
| 50 | F544390-1 | | 1 | DECAL, TILT LOCK |
| 51 | F366886 | | 2 | PIN |
| 52 | F366300 | | 2 | REVERSE LOCK SPRING |
| 53 | F366349 | | 1 | REVERSE LOCK |
| 54 | F1669 | | 1 | STOP NUT |
| 55 | F1733 | | 2 | PAN HD SCREW, 10 - 24 X 9/16 |
| 56 | 817944A2 | | 1 | HANDLE AND SHAFT W/ILLUS. 58, 62 AND LITERATURE ORIGINAL FORCE P/N K 366827-1 |
| 57 | F522884 | | 1 | BEARING, REVERSE LOCK SHAFT |
| 58 | F2088 | | 2 | FASTENER |
| 59 | F366364 | | 1 | ARM, REVERSE LOCK |
| 60 | F366510-1 | | 1 | LINK, REVERSE LOCK |
| 61 | F1836 | | 1 | SPRING PIN |
| 62 | F197813 | | 1 | BEARING, REVERSE LOCK SHAFT REAR |
| 63 | F213274 | | 3 | GREASE FITTING |
| 65 | F366433 | | 1 | TILT STOP, STARBOARD |
| 67 | F522032 | | 1 | STERN BRACKET - STARBOARD |
| 68 | F353480 | | 2 | STUD |
| 69 | F24074 | | 2 | CLAMP SCREW FOOT |
| 70 | F522125-1 | | 1 | TUBE, PIVOT STEERING |
| 71 | F9018 | | 1 | PLASTIC CAP, PIVOT TUBE |
| 72 | F8538 | | 2 | SPRING PIN |
| 73 | F474073-1 | | 2 | CLAMP SCREW |
| 74 | FA433113 | | 1 | STERN BRACKET LOCK BAR W/ILLUS. 75, 76 & 77 |
| 75 | F1744 | | 1 | SPRING PIN |
| 76 | F433114 | | 1 | HANDLE, LOCK BAR |
| 77 | F286461 | | 1 | SPRING LOCK BAR HANDLE |
| 78 | F141704 | | 1 | GEAR SHIFT ROD COUPLING |
| 79 | F1349 | | 1 | HEX NUT, S.S., 5/16 - 18 |
| 80 | F185764 | | 1 | RETAINING RING |
| 81 | F8049 | | 1 | BOWED SPRING WASHER |
| 82 | F1987 | | 1 | PLAIN WASHER |
| 83 | F307615-1 | | 1 | GEAR SHIFT ROD UPPER |
| 84 | F1326 | | 2 | ACORN NUT, S.S., 5/16 - 18 |
| 85 | F433972 | | 1 | SHOCK MOUNT LOWER COVER - STARBOARD |
| 86 | F215962 | | 2 | SHOCK MOUNT SIDE LOWER |
| 87 | F1947 | | 8 | FLANGED 12 POINT SCREW, 5/16 - 18 X 2 |
| 88 | F1160 | | 2 | FLAT HD SCREW, 1/4 - 28 X 5/8 |

CONTINUED ON NEXT PAGE ➡

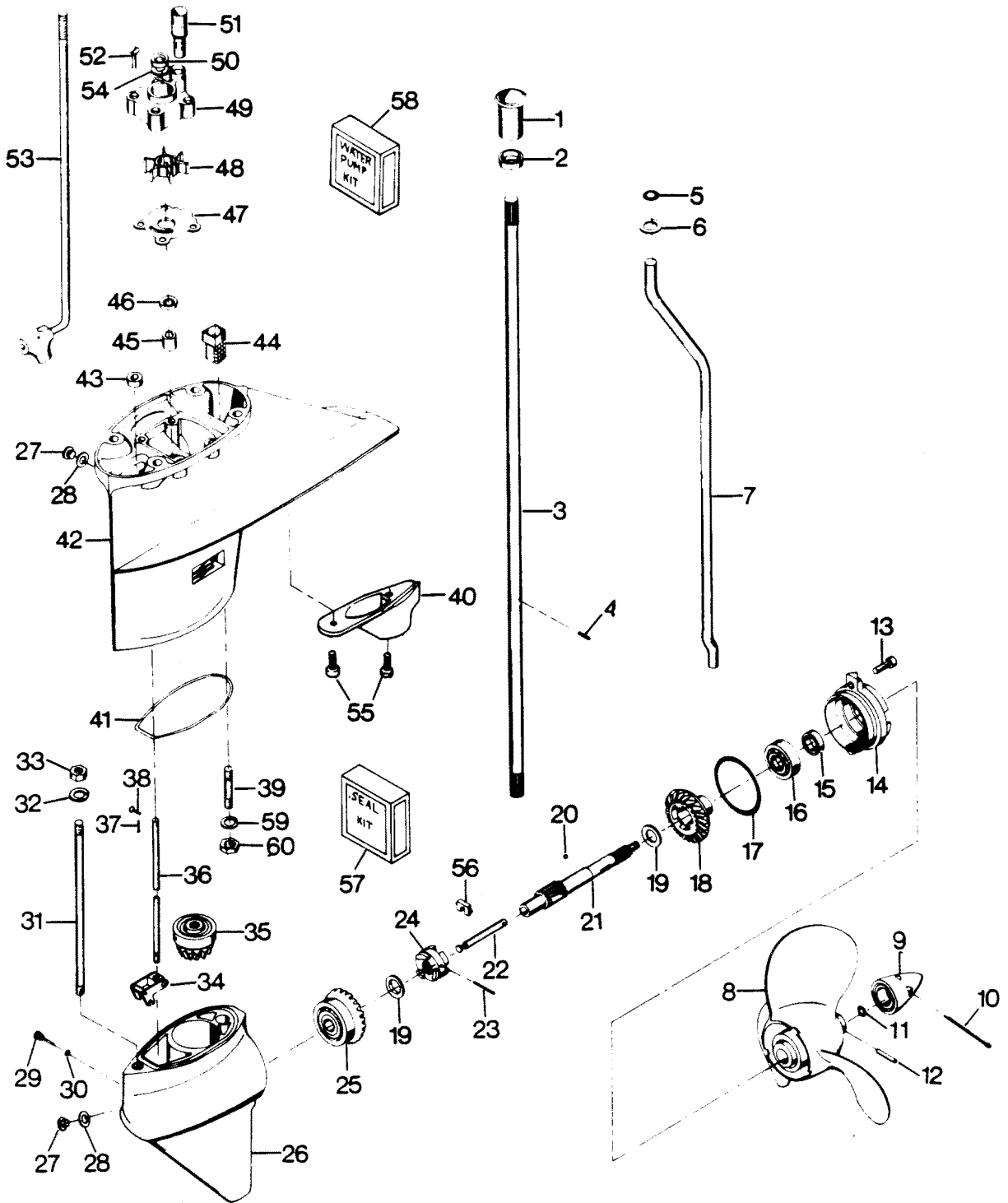
MOTOR LEG



MOTOR LEG

| REF. NO. | PART NO. | SYM. | QTY. | DESCRIPTION |
|----------|----------|------|------|---|
| 89 | F316599 | | 1 | SEAL, PIVOT TUBE |
| 90 | FA435135 | | 1 | COVER, LEG ST BD W/ILLUS. 92 |
| 91 | FA435145 | | 1 | COVER, LEG PORT W/ILLUS. 92 |
| 92 | F435323 | | 3 | PACKING, LEG COVER LOWER |
| 93 | F89504 | | 1 | GROMMET, MOTOR LEG EXHAUST COVER |
| 94 | F89025 | | 1 | PAD, DAMPENING - LEG COVER |
| 95 | F1473 | | 6 | HEX M. SC. NUT #10 - 24 |
| 96 | F1733 | | 3 | PAN HD. M. SC., #10 - 24 X 9/16 |
| 97 | F1767 | | 1 | FILL HD. M. SC., #10 - 24 X 3 |
| 98 | F1768 | | 2 | FILL HD. M. SC., #10 - 24 X 1-3/8 |
| 99 | F5H141 | | 1 | LINK, STEERING W/ILLUS. 100, 101, 102, 103 |
| 100 | F522359 | | 1 | SPACER, STEERING LINK |
| 101 | F2073 | | 1 | HEX CAP SCREW 3/8 - 24 X 1-5/8 |
| 102 | F2093 | | 2 | STOP NUT |
| 103 | F8083 | | 4 | PLAIN WASHER |
| 104 | F5H084 | | 1 | TRAILERING TILT LOCK |

GEAR HOUSING

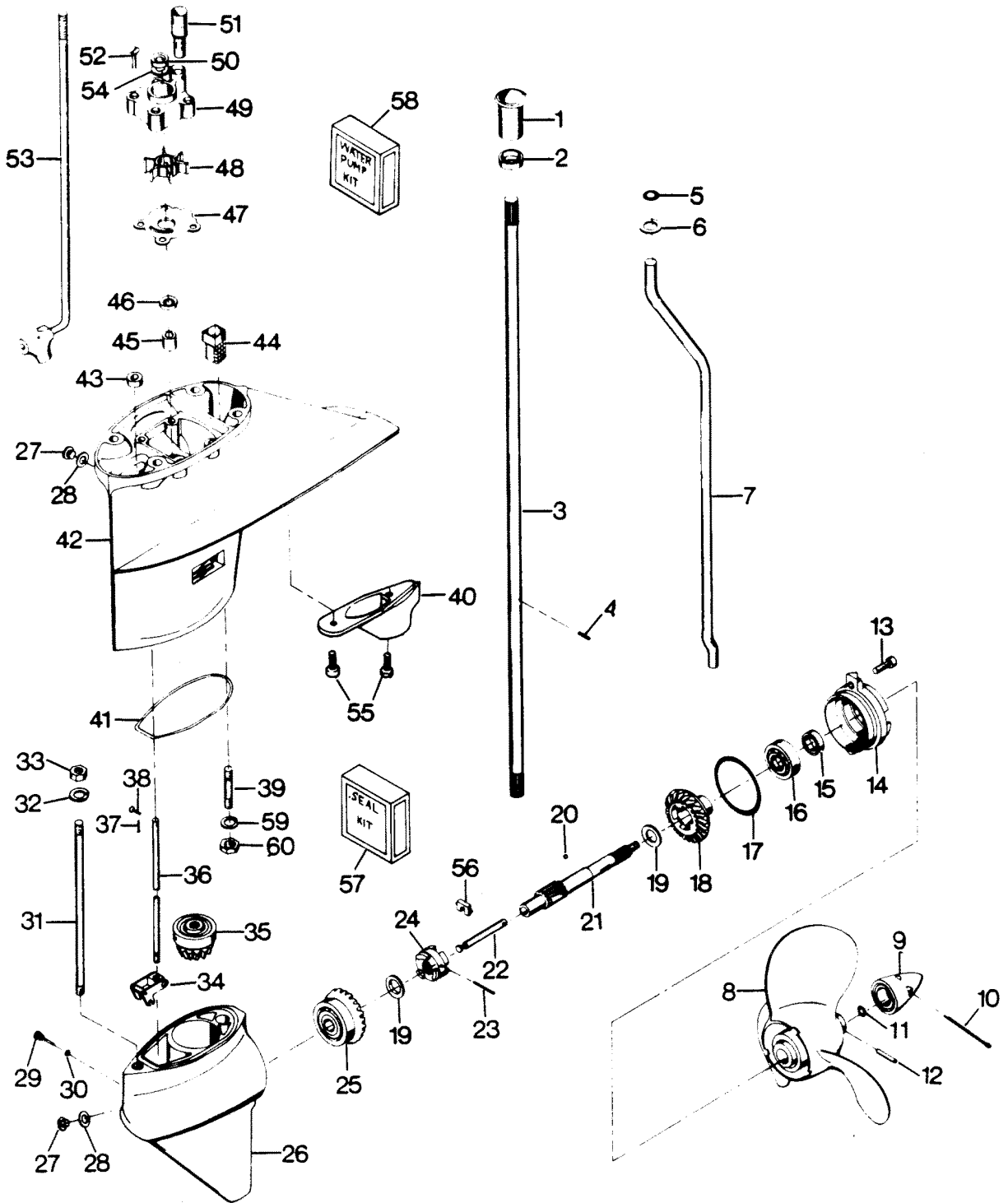


GEAR HOUSING

| REF. NO. | PART NO. | SYM. | QTY. | DESCRIPTION |
|----------|-----------------|------|------|--|
| 1 | F338129-1 | | 1 | SEAL, DRIVESHAFT SPLINE |
| 2 | F338271 | | 1 | RETAINER |
| 3 | FA89128-1 | | 1 | DRIVESHAFT WILLUS. 2 |
| 4 | F901563 | | 1 | DRIVE PIN, WATER PUMP IMPELLER |
| 5 | F40342 | | 1 | SEAL |
| 6 | F8042 | | 1 | PLAIN WASHER |
| 7 | F435244 | | 1 | INLET WATER LINE |
| 8 | FP293 | | 1 | PROPELLER (ACCESSORY ITEM) |
| 9 | FA94094-2 | | 1 | PROPELLER NUT WILLUS. 10 AND 11 |
| 10 | F1027 | | 1 | COTTER PIN, S.S., 1/8 - 1/2 |
| 11 | F40342 | | 1 | SEAL, PROPELLER NUT |
| 12 | FK247 | | 1 | PROPELLER PIN, PACK OF 6 WILLUS. 10 |
| 13 | F1263 | | 2 | HEX SOCKET HD CAP SCREW, S.S., 5/16 - 18 X 9/16 |
| 14 | 31-817731A5 | | 1 | PROPELLER SHAFT BEARING CAGE. INCLUDES ITEMS 15, 16 AND 17 ORIGINAL FORCE P/N 2A 366298-1 |
| 15 | F141118 | | 1 | SEAL, PROPELLER SHAFT |
| 16 | F366058 | | 1 | BALL BEARING, PROPELLER SHAFT |
| 17 | F141305 | | 1 | SEAL, PROPELLER SHAFT BEARING CAGE |
| 18 | FA485662 | | 1 | BEVEL GEAR REAR W/BEARING |
| 91 | F40717 | | 2 | THRUST WASHER, BEVEL GEAR |
| 20 | F366727 | | 1 | BALL, PROPELLER SHAFT |
| 21 | 44-819500A3 | | 1 | PROPELLER SHAFT ASSEMBLY |
| 22 | F90871-3 | | 1 | GEAR SHIFT ARM PIN |
| 23 | F2097 | | 1 | SPRING PIN |
| 24 | F99521-1 | | 1 | CLUTCH |
| 25 | 43-817824A2 | | 1 | BEVEL GEAR FRONT W/BEARING AND CUP |
| 26 | FA486054 | | 1 | GEAR HOUSING LOWER W/THRUST BEARING CUP AND ILLUS. 27, 28, 29 AND 30 |
| - | FC486054 | | 1 | GEAR HOUSING KIT. INCLUDES ALL ITEMS MARKED WITH AN ASTERISK (*) |
| 27 | F50109 | | 2 | PLUG, GEAR HOUSING |
| 28 | F8077 | | 2 | WASHER, GEAR HOUSING PLUG |
| 29 | F498891 | | 1 | GEAR SHIFT ARM PIVOT PIN |
| 30 | F498618 | | 1 | SEAL, O-RING |
| 31 | F97008-1 | | 1 | STUD, LONG |
| 32 | F8065 | | 1 | LOCKWASHER |
| 33 | F1346 | | 1 | HEX NUT, S.S. 3/8 - 16 |
| 34 | 817796A2 | | 1 | GEAR SHIFT ARM ASSEMBLY |
| 35 | F2A474266 | | 1 | BEVEL PINION W/BEARING |
| 36 | F435705 | | 1 | GEAR SHIFT ROD LOWER |
| 37 | F1015 | | 1 | COTTER PIN |
| 38 | F85372 | | 1 | PIN, GEAR SHIFT ROD LOWER |
| 39 | F40008 | | 1 | STUD, SHORT |
| 40 | FA435116 | | 1 | EXHAUST, SNOOT W/LITERATURE |

CONTINUED ON NEXT PAGE ➡

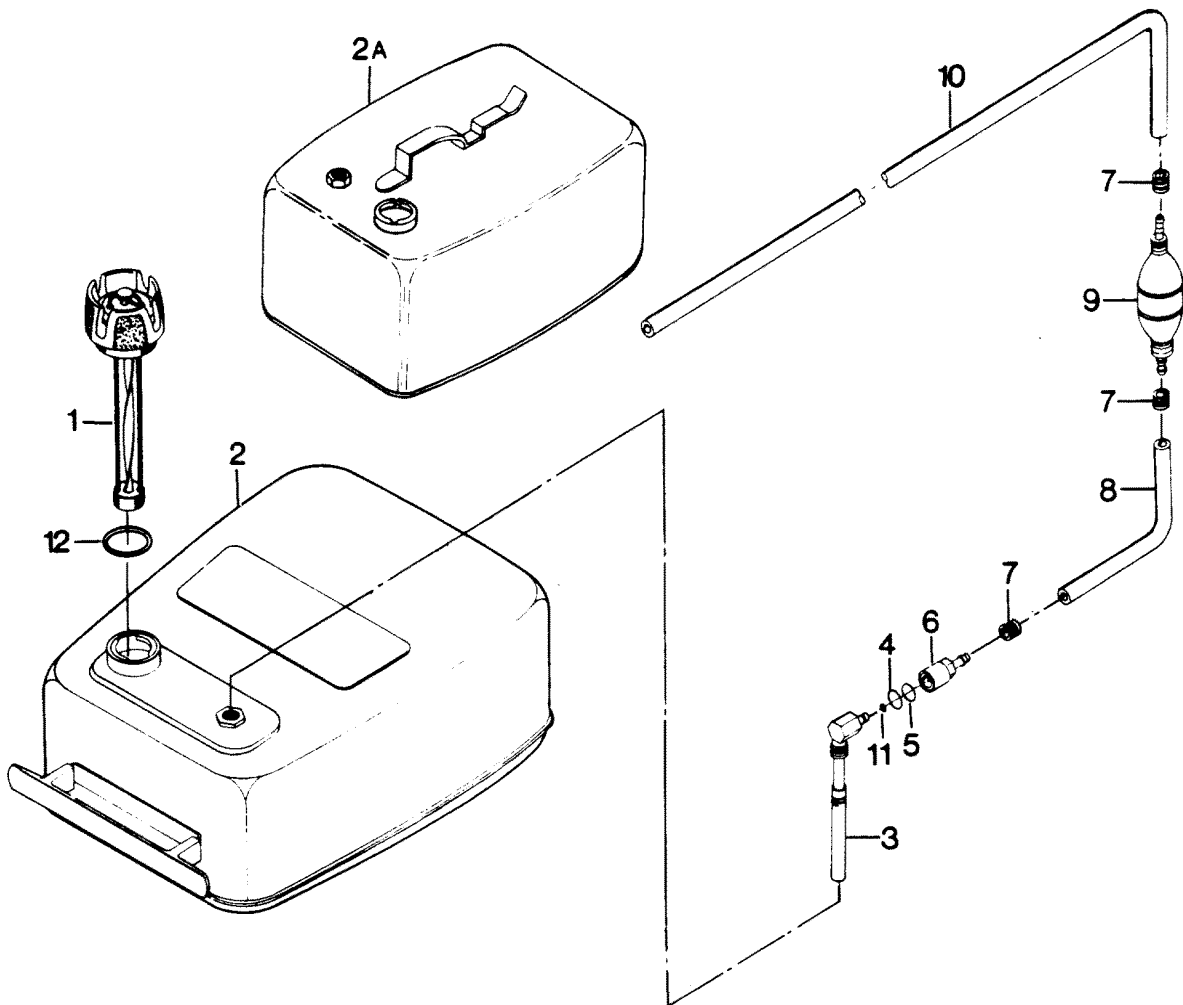
GEAR HOUSING



GEAR HOUSING

| REF. NO. | PART NO. | SYM. | QTY. | DESCRIPTION |
|----------|------------------|------|----------|---|
| 41 | F435555 | | 1 | SEAL, GEAR HOUSING |
| 42 | FA545554 | | 1 | GEAR HOUSING UPPER W/ILLUS. 27, 28, 39, 40, 43, 44, 45, 46 AND 55 |
| 43 | F338618-1 | | 1 | SEAL, SHIFT ROD LOWER |
| 44 | F435077 | | 1 | SCREEN, WATER INLET |
| 45 | F435057 | | 1 | BEARING, DRIVESHAFT UPPER |
| 46 | F40307-2 | | 1 | SEAL, DRIVESHAFT |
| 47 | F435562 | | 1 | WATER PUMP BACK PLATE |
| 48 | F433065-2 | | 1 | WATER PUMP IMPELLER |
| 49 | FA463060 | | 1 | WATER PUMP BODY W/ILLUS. 50, 51 AND 54 |
| 50 | F349307 | | 1 | DRIVESHAFT SEAL - WATER PUMP |
| 51 | FA485914 | | 1 | SEAL, INLET WATER LINE, LOWER W/LITERATURE |
| 52 | F2030 | | 4 | HEX HD SCREW, S.S., 1/4 - 20 X 1-1/4 |
| 53 | FA435616 | | 1 | GEAR SHIFT ROD INTERMEDIATE |
| 54 | 485388 | | 1 | DISC, WATER PUMP |
| 55 | F2008 | | 2 | HEX HD M.S., 1/4 - 20 X 7/8 |
| 56 | F90619-2 | | 1 | YOKE |
| 57 | FK1074 | | 1 | GEAR HOUSING SEAL KIT. INCLUDES ALL ITEMS MARKED WITH A DOUBLE ASTERISK (**) |
| 58 | FK1073 | | 1 | WATER PUMP KIT. INCLUDES ITEMS MARKED WITH A STAR (*) |
| - | F2030 | | 4 | SCREW 1/4 - 20 X 1-1/4 |
| - | F433065-2 | | 1 | IMPELLER |
| - | F435562 | | 1 | BACK PLATE, WATER PUMP |
| - | F901563 | | 1 | DRIVE PIN |
| - | FA463060 | | 1 | WATER PUMP BODY W/ILLUS. 50, 51 AND 52 |
| 59 | F2014 | | 1 | PLAIN WASHER |
| 60 | F7004 | | 1 | ELASTIC STOP NUT 3/8 - 16 |

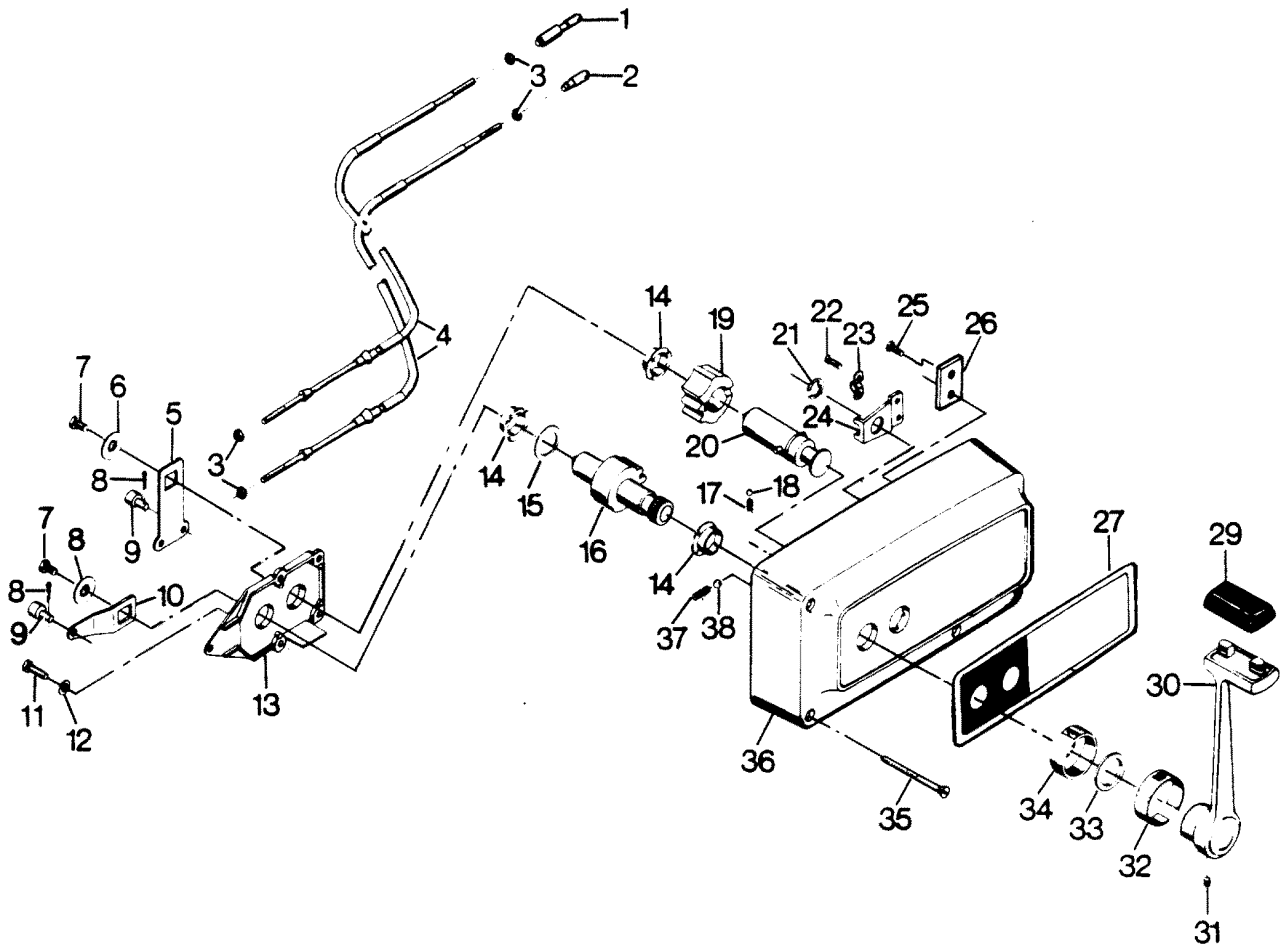
FUEL TANK AND LINE



FUEL TANK AND LINE

| REF. NO. | PART NO. | SYM. | QTY. | DESCRIPTION |
|----------|------------------|------|----------|---|
| 1 | F409251-1 | | 1 | GAUGE CAP (CANADA ONLY) |
| - | F213251 | | 1 | GAUGE CAP (USA ONLY) (NOT SHOWN) |
| 2 | F5H026-1 | | 1 | FUEL TANK (ACCESSORY ITEM) W/ILLUS. 1 AND 3 (FORCE MODELS) |
| 2A | F5H176 | | 1 | FUEL TANK W/ILLUS. 1 AND 3 (BAYLINER MODELS) |
| 3 | F485755-1 | | 1 | FUEL TANK ADAPTER |
| 4 | F17816 | | 1 | SEAL, FUEL LINE COUPLER (LARGE) |
| 5 | F17815 | | 1 | SEAL, FUEL LINE COUPLER (SMALL) |
| 6 | F197787-3 | | 1 | FUEL LINE COUPLER |
| 7 | F298788 | | 3 | FERRULE |
| 8 | FA84754-1 | | 1 | FUEL LINE SHORT W/ILLUS. 7 |
| 9 | 89396A38 | | 1 | PRIME BULB |
| 10 | 32-817738A1 | | 1 | FUEL LINE, LONG W/CLAMP AND ILLUS. 7 ORIGINAL FORCE P/N A 197752-1 |
| 11 | F17817 | | 1 | SEAL, FUEL TANK ADAPTER USED WITH 485755-1 ADAPTER |
| - | FS409752 | | 1 | FUEL LINE - COMPLETE INCLUDES ITEMS MARKED WITH AN ASTERISK (*) |
| - | FC311398 | | 1 | DECAL, TOTE TANK-CANADA (NOT SHOWN) |
| - | F224394-3 | | 1 | DECAL, FUEL MIXTURE - U.S.A. (NOT SHOWN) |
| 12 | F17818 | | 1 | GASKET |
| - | F310398 | | 1 | DECAL, WARNING (NOT SHOWN) |

REMOTE CONTROL

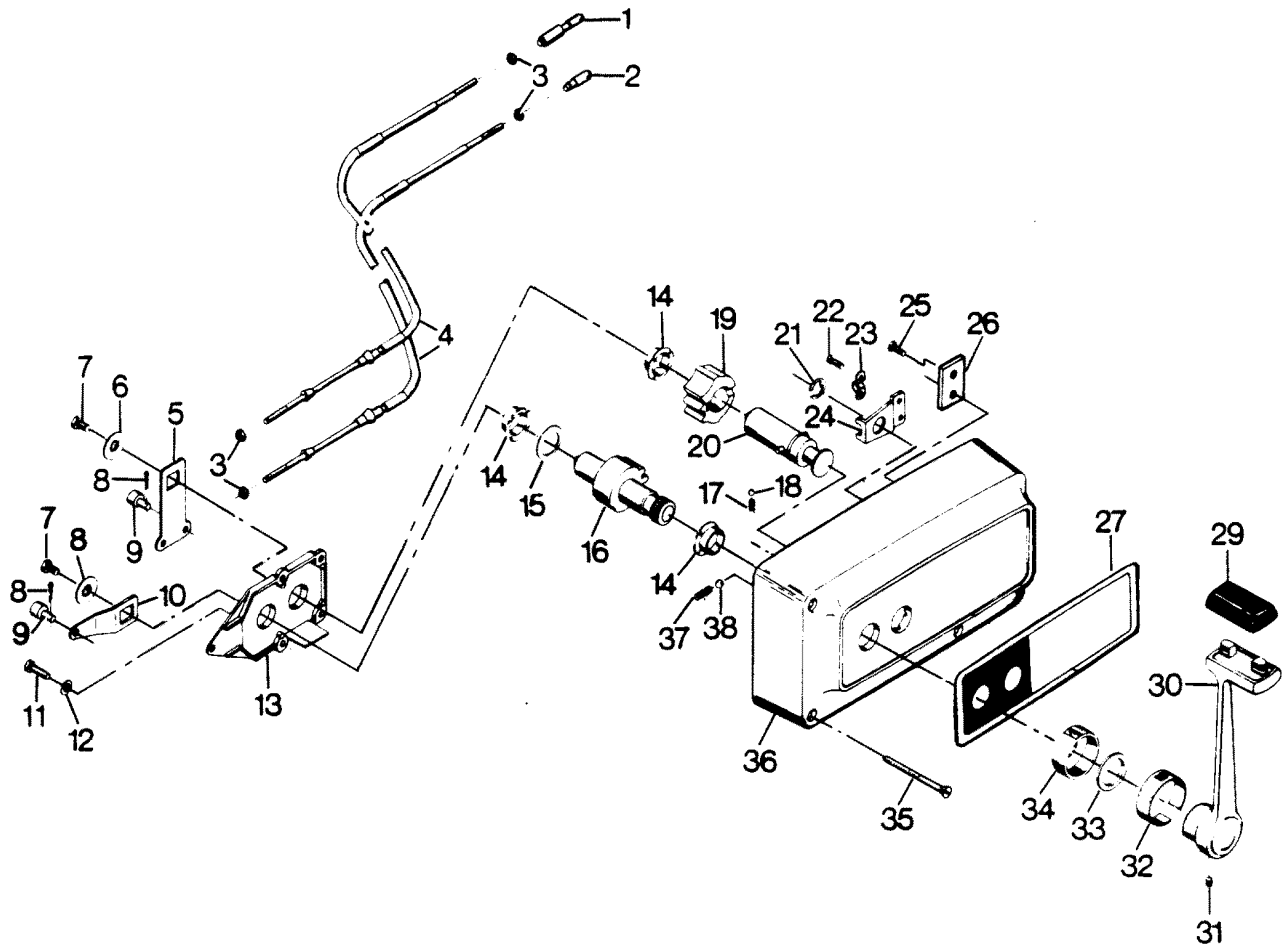


REMOTE CONTROL

| REF. NO. | PART NO. | SYM. | QTY. | DESCRIPTION |
|----------|----------------|------|----------|--|
| 1 | FA58976-1 | | 1 | CONNECTOR, THROTTLE CABLE (FORCE MODELS 507F6A, 507FC6A) |
| - | F654976 | | 1 | CONNECTOR, THROTTLE CABLE (BAYLINER MODELS 507X6A, 507XC6A) |
| 2 | F58685-2 | | 1 | CONNECTOR, SHIFT CABLE (FORCE AND BAYLINER MODELS) |
| 3 | F1513 | | 4 | HEX NUT |
| 4 | ÄF195// | | 1 | REMOTE CONTROL CABLE (SPECIFY LENGTH-X) ACCESSORY ITEM (2 PER SET) |
| 5 | F17019 | | 1 | CLUTCH ARM |
| 6 | F17036 | | 2 | INTERNAL TOOTH LOCKWASHER |
| 7 | F17155 | | 2 | HEX BOLT, 1/4 - 28 X 1/2 |
| 8 | F17149 | | 2 | COTTER PIN |
| 9 | F17016 | | 2 | CABLE TERMINAL |
| 10 | F17014 | | 1 | THROTTLE ARM |
| 11 | F17013 | | 2 | FILL HD SCREW, 1/4 - 20 X 1/2 |
| 12 | F8061 | | 2 | INTERNAL TOOTH LOCKWASHER |
| 13 | F17012 | | 1 | RETAINING PLATE |
| 14 | F17009 | | 3 | BEARING |
| 15 | F17011 | | 1 | BOWED WASHER |
| 16 | F17010-1 | | 1 | THROTTLE GEAR |
| 17 | F17111 | | 1 | DETENT BALL |
| 18 | F17006 | | 1 | DETENT SPRING |
| 19 | F17021 | | 1 | CLUTCH GEAR |
| 20 | F17100 | | 1 | CLUTCH SHIFT |
| 21 | F17092 | | 1 | SNAP RING |
| 22 | F17071 | | 2 | FILL HD SCREW, 10 - 24 X 5/16 |
| 23 | F154317 | | 1 | CABLE CLAMP |
| 24 | F17026 | | 1 | SWIVEL |
| 25 | F17141 | | 2 | ROUND HD SCREW, 10 - 24 X 3/8 |
| 26 | F17153 | | 1 | RETAINER PLATE |
| 27 | F580892-2 | | 1 | DECAL |
| 29 | F17116 | | 1 | KNOB |
| 30 | F17115-1 | | 1 | HANDLE |
| 31 | F455690 | | 1 | SET SCREW |
| 32 | FK17114-1 | | 1 | INDICATOR |
| 33 | F17105 | | 1 | FELT WASHER |
| 34 | F17106 | | 1 | COLLAR |
| 35 | F17154 | | 3 | WOOD SCREW |

CONTINUED ON NEXT PAGE ➡

REMOTE CONTROL



REMOTE CONTROL

| REF. NO. | PART NO. | SYM. | QTY. | DESCRIPTION |
|----------|----------------|------|----------|---|
| 36 | F17099-1 | | 1 | HOUSING |
| 37 | F17157 | | 1 | DETENT SPRING |
| 38 | F17082-1 | | 1 | DETENT BALL |
| - | F1280 | | 2 | PAN HD SCREW, 8 - 32 X 1/4 (TERMINAL BOARD) (NOT SHOWN) |
| - | FK17156 | | 1 | BAG ASSEMBLY (NOT SHOWN). INCLUDES ALL ITEMS MARKED WITH AN ASTERISK (*) |

SPECIAL TOOLS - TUNE-UP

| REF. NO. | PART NO. | SYM. | QTY. | DESCRIPTION |
|----------|-----------|------|------|--|
| - | FT8948-1 | | 0 | PULLER TO REMOVE FLYWHEEL |
| - | FT2910 | | 0 | KNOCK-OFF-NUT TO REMOVE FLYWHEEL (ALTERNATE TO PULLER) |
| - | FTA2937-1 | | 0 | TIMING TOOL TO ADJUST IGNITION TIMING (STATIC) |
| - | FT8930-1 | | 0 | FEELER GAUGE TO ADJUST BREAKER POINTS |
| - | FT8978 | | 0 | TIMING LIGHT TO ADJUST IGNITION TIMING (DYNAMIC) |

SPECIAL TOOLS - POWER HEAD

| REF. NO. | PART NO. | SYM. | QTY. | DESCRIPTION |
|----------|----------|------|------|--|
| - | FT2998 | | 0 | TORQUE WRENCH (0-100LBS./FT.) TO PROPERLY SECURE FASTENERS |
| - | FT2999 | | 0 | TORQUE WRENCH (0-600LBS./IN.) TO PROPERLY SECURE FASTENERS |
| - | FT2991 | | 0 | CARBON BRUSH TO REMOVE CARBON FROM INSIDE POWERHEAD |
| - | FT8900 | | 0 | HOSE CLAMP PILERS TO REMOVE AND INSTALL FUEL HOSE CLAMPS |
| - | FT3510 | | 0 | SEAL INSTALLER TO INSTALL UPPER CRANKSHAFT BEARING CAGE SEAL |
| - | FT3512 | | 0 | SEAL SLEEVE TO INSTALL UPPER CRANKSHAFT BEARING CAGE SEAL |
| - | FT1749 | | 0 | RETAINING RING PLIERS TO REMOVE AND INSTALL PISTON PIN RETAINING RINGS |
| - | FT2953 | | 0 | SOCKET TO TORQUE CONNECTING ROD SCREWS |
| - | FT2990 | | 0 | PISTON PIN REMOVER TO REMOVE AND INSTALL PISTON PIN IN PISTON |
| - | FT8926 | | 0 | RING EXPANDER TO INSTALL RINGS ON PISTONS |
| - | FT2996 | | 0 | RING COMPRESSOR TO INSTALL PISTONS IN CYLINDERS |

SPECIAL TOOLS - LOWER UNIT

| REF. NO. | PART NO. | SYM. | QTY. | DESCRIPTION |
|----------|----------|------|------|--|
| - | FT8948-1 | | 0 | PULLER TO REMOVE PROPELLER SHAFT BEARING CAGE FROM LOWER GEAR HOUSING. |
| - | FT8919 | | 0 | SPRING PIN PUNCH TO REMOVE CLUTCH SPRING PIN |
| - | FT8907 | | 0 | DRIVER HANDLE TO INSTALL BEARING CUP IN LOWER GEAR HOUSING |
| - | FT8945 | | 0 | RETAINER PUNCH TO INSTALL RETAINER ON DRIVESHAFT SPLINE BOOT |
| - | FT8918 | | 0 | BUSHING GUIDE SET TO REMOVE AND INSTALL BEARING CUP IN LOWER GEAR HOUSING |
| - | FT8921 | | 0 | FORWARD BEARING CUP REMOVER TO REMOVE FORWARD BEARING CUP FROM LOWER GEAR HOUSING |
| - | FT8904 | | 0 | FORWARD BEARING CUP INSTALLER TO INSTALL FORWARD BEARING CUP IN LOWER GEAR HOUSING |
| - | FT3431 | | 0 | SEAL INSTALLER TO INSTALL DRIVESHAFT AND PROP SHAFT SEAL IN LOWER UNIT |
| - | FT8957 | | 0 | SEAL INSTALLER TO INSTALL SHIFT ROD SEAL |
| - | FT8962 | | 0 | BEARING INSTALLER TO INSTALL DRIVESHAFT BEARING IN GEAR HOUSING UPPER |
| - | FT8964 | | 0 | BEARING REMOVER TO REMOVE DRIVESHAFT BEARING FROM GEAR HOUSING UPPER |

SPECIAL TOOLS - TEST EQUIPMENT

| REF. NO. | PART NO. | SYM. | QTY. | DESCRIPTION |
|----------|----------|------|------|---|
| - | FT2951 | | 0 | CIRCUIT TRACER TO TROUBLESHOOT 12 VOLT CIRCUITS |
| - | FT2938-1 | | 0 | TEST LIGHT TO CHECK CONTINUITY |
| - | FT2955A | | 0 | TEST WHEEL TO TEST MOTOR IN TEST TANK |
| - | FT8950 | | 0 | LEAKAGE TESTER TO TEST LOWER UNIT FOR LEAKAGE |

SPECIAL TOOLS - LUBRICANTS AND SEALANTS

| REF. NO. | PART NO. | SYM. | QTY. | DESCRIPTION |
|----------|----------|------|------|--|
| - | FT2961 | | 0 | LUBRICANT - RYKON GREASE #2EP |
| - | FT2987-1 | | 0 | LUBRICANT - ANTI-SEIZE |
| - | FT8969 | | 0 | LUBRICANT - 7 OZ. LUBRICANT LPS-1 |
| - | FT8983 | | 0 | SEALANT - RTV |
| - | FT8936-1 | | 0 | SEALANT - 2 CC LOCTITE RETAINING COMPOUND #75 |
| - | FT2962-2 | | 0 | SEALANT - 50 CC LOCTITE H, NON-HARDENING GRADE |
| - | FT2963-2 | | 0 | SEALANT - 2 OZ. LOCTITE #271 |
| - | FT8935 | | 0 | SEALANT PRIMER - 6 OZ. LOC QUIC T |

ACCESSORIES

| REF. NO. | PART NO. | SYM. | QTY. | DESCRIPTION |
|----------|----------|------|------|--|
| - | F5H081 | | 0 | BATTERY CABLE LONGER LENGTH - 15 FEET |
| - | F5H019 | | 0 | ANTI-CORROSION KIT ELECTRICAL UNIT USED TO HELP PREVENT CORROSION. |
| - | F5H025 | | 0 | ANTI-CORROSION SACRIFICIAL ANODE USED TO HELP PREVENT CORROSION. |
| - | F5H021 | | 0 | BATTERY EXTENSION CABLE USED TO EXTEND BATTERY CABLE 6-1/2 FEET. |
| - | F5H041 | | 0 | BATTERY TERMINAL KIT FOR POSITIVE AND NEGATIVE BATTERY POSTS. |
| - | F5H020 | | 0 | CARRYING HANDLE PERMITS EASIER TRANSPORTATION OF ENGINE TO AND FROM BOAT (2 MAN). |
| - | F5H177 | | 0 | FLUSHING ADAPTER PERMITS FRESH WATER FLUSHING OF WATER PASSAGES WITH STANDARD GARDEN HOSE. |
| - | 5H158 | | 0 | FUEL GAUGE MONITORS FUEL SUPPLY. |
| - | F5H028 | | 0 | SENDING UNIT FOR USE WITH ABOVE FUEL GAUGE. |
| - | F5H156 | | 0 | TEMPERATURE GAUGE MONITORS ENGINE TEMPERATURE. DO NOT USE TEMPERATURE GAUGE AND HEAT LAMP IN THE SAME INSTALLATION. |
| - | F5H055 | | 0 | WATER PUMP KIT HEAVY DUTY WATER PUMP RECOMMENDED FOR CONTINUED OPERATION IN SANDY OR SALT WATER. |
| - | F5H181 | | 0 | FORCE WHITE ENAMEL ENGINE TOUCH-UP PAINT IN 13 OZ. AVERAGE SPRAY BOMBS (6 CANS PER CASE). |
| - | F5H182 | | 0 | FORCE WHITE ENAMEL ENGINE TOUCH-UP PAINT IN 1/2 OZ. BOTTLE WITH BRUSH IN CAP (12 BOTTLES PER BOX). |
| - | F5H147 | | 0 | POWER TRIM ADJUSTS ENGINE TRIM AND TILTS ENGINE. |
| - | F5H160 | | 0 | POWER TRIM INDICATOR INDICATES TRIM ANGLE. |
| - | F5H084 | | 0 | TRAILERING TILT LOCK SECURES ENGINE IN TILTED POSITION FOR TRAILERING. |
| - | F5H120 | | 0 | REMOTE CONTROL BACK PLATE PROTECTS CONTROL MECHANISM FROM PADDED MOUNTING SURFACES IN BOAT. |
| - | F5H026-1 | | 0 | FUEL TANK, 6 GALLON, STEEL AUXILIARY TANK. |
| - | F5H029 | | 0 | FUEL TANK ANCHOR SECURES 5H026-1 TO DECK. |
| - | F5H143 | | 0 | POWER TILT TWELVE VOLT UNIT TILTS ENGINE FOR BEACHING, ETC. |
| - | F5H073 | | 0 | OVERHEAT BUZZER KIT WARNS OF ENGINE OVERHEATING. |
| - | F5H077 | | 0 | IGNITION KEY SWITCH FOR ELECTRIC START MODELS, SHORT BARREL. |
| - | F5H078 | | 0 | IGNITION KEY SWITCH FOR ELECTRIC START MODELS, LONG BARREL. |
| - | ÄF195// | | 0 | REMOTE CONTROL CABLES CONNECTS REMOTE CONTROL BOX TO THROTTLE AND GEAR SHIFT ON MOTOR. AVAILABLE IN 6 THROUGH 26 FOOT LENGTHS. |
| - | F5H130-1 | | 0 | REMOTE CONTROL SURFACE MOUNT (SINGLE LEVER) PERMITS REMOTE CONTROL OF THROTTLE AND GEAR SHIFT FROM STARBOARD SIDE OF BOAT. |

CONTINUED ON NEXT PAGE ➡

ACCESSORIES

| REF. NO. | PART NO. | SYM. | QTY. | DESCRIPTION |
|----------|----------|------|------|---|
| - | F590 | | 0 | REMOTE CONTROL FLUSH MOUNT (SINGLE LEVER) PERMITS REMOTE CONTROL OF THROTTLE AND GEAR SHIFT. MAY BE MOUNTED ON PORT OR STARBOARD SIDE OF BOAT. |
| - | F5H159 | | 0 | HOURLMETER MONITORS ENGINE RUNNING TIME. |
| - | F5H132 | | 0 | REMOTE CONTROL HANDLE TRIM SWITCH PROVIDES CONVENIENT OPERATION OF POWER TRIM. |
| - | F5H154 | | 0 | SPEEDOMETER FLUSH MOUNT (10-50 MPH). |
| - | F5H141 | | 0 | STEERING LINK KIT FOR USE WITH PIVOT TUBE STEERING. |
| - | F563 | | 0 | TERMINAL BLOCK KIT DOUBLE ROW 10 SECTION FOR ACCESSORY WIRING. |
| - | F5H075 | | 0 | WIRING HARNESS (24") FOR REMOTE INSTALLATION OF IGNITION SWITCH. |
| - | F137 | | 0 | REMOTE STEERING BRACKET ADAPTS MOTOR TO CABLE TYPE REMOTE STEERING. |
| - | F165 | | 0 | REMOTE STEERING BRACKET ADAPTS MOTOR TO CABLE TYPE REMOTE STEERING. |
| - | F5H023 | | 0 | REMOTE STEERING BRACKET ADAPTS MOTOR TO MECHANICAL TYPE REMOTE STEERING. |
| - | F166 | | 0 | DUAL ENGINE TIE BAR PERMITS DUAL ENGINE INSTALLATION. |
| - | F5H153 | | 0 | TACHOMETER MONITORS ENGINE RPM TO PROVIDE CHECK OF ENGINE PERFORMANCE. |
| - | F5H157 | | 0 | VOLTMETER INDICATES BATTERY CONDITION. |
| - | F5H070 | | 0 | REMOTE ELECTRIC CABLE 21 FEET. |
| - | F762 | | 0 | REMOTE ELECTRIC CABLE 25 FEET. |
| - | F596-1 | | 0 | US MARINE OUTBOARD OIL US MARINE OUTBOARD OIL IS COMPOUNDED FROM SELECTED HIGH QUALITY HEAT RESISTANT BASE OIL AND A NON-METALLIC ADDITIVE TO LUBRICATE AND MAINTAIN CLEANLINESS OF - OUTBOARD MOTORS. |
| - | 597-1 | | 0 | US MARINE OUTBOARD GEAR LUBE US MARINE OUTBOARD GEAR LUBE IS AN EXTREME PRESSURE LUBRICANT FORMULATED TO HANDLE THE HIGH GEAR LOADS PRESENT IN AN OUTBOARD LOWER UNIT. OUTBOARD GEAR LUBE ALLOWS THE LOWER UNIT TO WORK MORE EFFICIENTLY. |
| - | F5H076 | | 0 | SWITCH EXTENSION CABLE (5) FOR REMOTE INSTALLATION OF IGNITION SWITCH. |
| - | F5H030 | | 0 | SWITCH KIT - RUNNING LIGHTS DASH MOUNT TOGGLE FOR ANCHOR AND RUNNING LIGHTS. |
| - | F5H031 | | 0 | SWITCH KIT - SPOT LIGHT DASH MOUNT TOGGLE FOR SPOT OR SEARCH LIGHTS. |
| - | F5H032 | | 0 | SWITCH KIT - WIPER DASH MOUNT TOGGLE FOR ELECTRIC WIPER. |
| - | F5H034 | | 0 | SWITCH KIT - BILGE PUMP DASH MOUNT TOGGLE FOR ELECTRIC BILGE PUMP. |
| - | F5H035 | | 0 | SWITCH KIT - HORN DASH MOUNT TOGGLE FOR HORN - MOMENTARY ON. |

CONTINUED ON NEXT PAGE ➡

ACCESSORIES

| REF. NO. | PART NO. | SYM. | QTY. | DESCRIPTION |
|----------|----------|------|------|--|
| - | F5H036 | | 0 | SWITCH KIT - TACHOMETER TRANSFER DASH MOUNT TOGGLE FOR ONE TACHOMETER ON DUAL ENGINE INSTALLATION. |
| - | F5H037 | | 0 | SWITCH KIT - LIGHTER DASH MOUNT LIGHTER, COMPLETE. |
| - | F5H038 | | 0 | SWITCH KIT - IGNITION DASH MOUNT PLATE FOR 5H077 AND 5H078 KEY SWITCH (NOT INCLUDED). |
| - | F5H039 | | 0 | SWITCH KIT - INSTRUMENTS |

PARTS INDEX

| Part Number | Description | Pg. | Ref. No. | Part Number | Description | Pg. | Ref. No. |
|-------------|--|-----|----------|-------------|---|-----|----------|
| ÄF195// | REMOTE CONTROL CABLE (SPECIFY LENGTH-X) | | | F10210 | RING | 15 | 1 |
| | ACCESSORY ITEM | 41 | 4 | F10229 | MAIN FUEL JET (.084) | 15 | 29 |
| ÄF195// | REMOTE CONTROL CABLES | 49 | - | F10230 | JET SIZE. (.082) 2500 - 5000 FT. | 15 | - |
| 10204 | NOZZLE SPRING | 15 | 26 | F1027 | COTTER PIN, S.S., 1/8 - 1/2 | 35 | 10 |
| 485388 | DISC, WATER PUMP | 37 | 54 | F1052 | FILL HD SCREW, 1/4 - 20 X 1 | 21 | 69 |
| 5H158 | FUEL GAUGE | 49 | - | F1059 | FILL HD SCREW 6 - 32 X 1/4 | 15 | 36 |
| 817746A1 | CONNECTOR STUD BRACKET | 21 | 60 | F1108 | FILL HD SCREW W/SPRING LOCKWASHER, 1/4 - 20 X 3/4 | 13 | 12 |
| 817747--1 | BALL JOINT W/BEARING | 19 | 15 | F1110 | SLOTTED FILL HD SCREW, 1/4 - 20 X 5/8 | 7 | 69 |
| 817782--1 | IGNITION KEY - NO LETTER OR STAMPED A | 5 | 19 | F1110 | SLOTTED FILL HD SCREW, 1/4 - 20 X 5/8 | 13 | 2 |
| 817793A1 | SHIFT ARM | 19 | 38 | F1129 | FILL HD SCREW, S.S., 5/16 - 18 X 1/2 | 29 | 33 |
| 817796A2 | GEAR SHIFT ARM ASSEMBLY | 35 | 34 | F1134 | FILL HD SCREW, 8 - 32 X 1- 1/8 | 19 | 19 |
| 817814A1 | TILT HANDLE | 3 | 2 | F1136 | FLAT HD SCREW, 1/4 - 20 X 1 | 19 | 39 |
| 817883--1 | IGNITION KEY - STAMPED B | 5 | - | F1141 | FLAT HD SCREW, 10 - 24 X 1/2 | 27 | 6 |
| 817887--1 | DECAL, WIRING | 5 | 26 | F1160 | FLAT HD SCREW, 1/4 - 28 X 5/8 | 31 | 88 |
| 817891--1 | IGNITION KEY - STAMPED C | 5 | - | F1164 | FLAT HD SCREW, 5/16 - 18 X 1-1/8 | 5 | 29 |
| 817892--1 | PLATE IGNITION SWITCH CANADA | 5 | - | F1199 | HEX HD SCREW, 1/4 - 20 X 1 | 29 | 19 |
| 817928--1 | IGNITION KEY - STAMPED D | 5 | - | F12090 | BREAKER CONTACT SCREW | 7 | 53 |
| 817929--1 | IGNITION KEY - STAMPED E | 5 | - | F1211 | HEX HD SCREW W/LOCKWASHER, 1/4 - 28 X 5/8 | 29 | 12 |
| 817944A2 | HANDLE AND SHAFT | 31 | 56 | F12139-1 | CONDENSER | 7 | 52 |
| 819331A2 | KINGPIN | 29 | 34 | F12167 | SCREW | 7 | 64 |
| 89396A38 | PRIME BULB | 39 | 9 | F12170 | CONDENSER MOUNT SCREW W/LOCKWASHER | 7 | 54 |
| F10067 | BOWL RETAINER GASKET | 15 | 14 | F12172 | TERMINAL COMPLETE | 7 | 60 |
| F10127 | FUEL BOWL | 15 | 3 | F12174-1 | PRIMARY INTERLEAD GROUP | 7 | 50 |
| F10128 | CHOKE VALVE | 15 | 7 | F12189 | CONDENSER MOUNT SCREW | 7 | 51 |
| F10129 | CHOKE RELIEVING VALVE | 15 | 8 | F12227 | CAM WIPER - FELT | 7 | 47 |
| F10130 | CHOKE VALVE SPRING | 15 | 23 | F12329-2 | BREAKER POINT SET | 7 | 49 |
| F10131 | SHAFT RETAINER RING | 15 | 2 | F12338 | GROUND WIRE | 7 | 57 |
| F10135 | FLOAT ASSEMBLY | 15 | 9 | F12344 | BREAKER PLATE | 7 | 48 |
| F10137 | NOZZLE | 15 | 11 | F1238 | FILL HD SCREW, 1/4 - 20 X 3/4 | 7 | 41 |
| F10138 | BOWL RING GASKET | 15 | 15 | F1263 | HEX SOCKET HD CAP SCREW, S.S., 5/16 - 18 X 9/16 | 35 | 13 |
| F1014 | COTTER PIN | 15 | 38 | F1280 | PAN HD SCREW, 8 - 32 X 1/4 | 5 | 20 |
| F10140 | VALVE SCREW | 15 | 20 | F1280 | PAN HD SCREW, 8 - 32 X 1/4 (TERMINAL BOARD) (NOT SHOWN) | 43 | - |
| F10141 | IDLE NEEDLE SPRING | 15 | 21 | F1286 | PAN HD SCREW, 4 - 40 X 3/16 | 21 | 45 |
| F10142 | FLOAT SUPPORT SPRING | 15 | 22 | F1326 | ACORN NUT, S.S., 5/16 - 18 | 31 | 84 |
| F10146 | NEEDLE, IDLE | 15 | 27 | F1341 | HEX NUT | 21 | 70 |
| F1015 | COTTER PIN | 35 | 37 | F1346 | HEX NUT, 3/8 - 16 | 29 | 16 |
| F10152 | CUP PLUG | 15 | 12 | F1346 | HEX NUT, S.S. 3/8 - 16 | 35 | 33 |
| F10153 | WELCH PLUG | 15 | 13 | | | | |
| F10155 | VALVE SCREW | 15 | 19 | | | | |
| F10156 | FUEL FITTING, ELBOW | 15 | 30 | | | | |
| F10159 | CHOKE SHAFT ASSEMBLY | 15 | 6 | | | | |
| F10191 | CHOKE RETURN SPRING | 15 | 25 | | | | |
| F10192 | THROTTLE RETURN SPRING | 15 | 24 | | | | |
| F10193 | THROTTLE SHAFT ASSEMBLY | 15 | 4 | | | | |
| F10197 | JET (.046) | 15 | 28 | | | | |
| F10203 | JET SIZE. (.080) 5000 - 7500 FT. | 15 | - | | | | |
| F10205 | BOWL RETAINER SCREW | 15 | 18 | | | | |
| F10206 | BOWL RETAINER GASKET | 15 | 16 | | | | |
| F10207 | THROTTLE VALVE | 15 | 5 | | | | |
| F10208 | PIN, FLOAT ASSEMBLY | 15 | 10 | | | | |
| F10210 | JET SIZE. (.078) 7500 - 10,000 FT. | 15 | - | | | | |

PARTS INDEX

| Part Number | Description | Pg. | Ref. No. | Part Number | Description | Pg. | Ref. No. |
|-------------|---|-----|----------|-------------|---|-----|----------|
| F1346 | HEX NUT, S.S., 3/8 - 16 | 31 | 49 | F1636 | HEX SOCKET HD CAP | | |
| F1349 | HEX NUT, S.S., 5/16 - 18 | 31 | 79 | | SCREW, S.S., 3/8 - 16 X 1-1/4 | 29 | 28 |
| F137 | REMOTE STEERING BRACKET | 50 | - | F1645 | RD HD SELF-TAPPING SCREW, 6 - 32 X 1/4 | 7 | 68 |
| F141118 | SEAL, PROPELLER SHAFT | 35 | 15 | F1646 | HEX SOCKET HD CAP SCREW, 3/8 - 16 X 2-1/4 | 19 | 7 |
| F141305 | SEAL, PROPELLER SHAFT BEARING CAGE | 35 | 17 | F1647 | HEX NUT | 23 | 97 |
| F141704 | GEAR SHIFT ROD COUPLING | 31 | 78 | F1647 | HEX NUT, 8 - 32 | 5 | 14 |
| F1441 | PAN HD SCREW, 1/4 - 20 X 7/8 | 25 | 2 | F165 | REMOTE STEERING BRACKET | 50 | - |
| F1446 | SLOTTED PAN HD SCREW, 1/4 - 20 X 1 | 19 | 42 | F166 | DUAL ENGINE TIE BAR | 50 | - |
| F1473 | HEX M. SC. NUT #10 - 24 | 33 | 95 | F1666 | BOWED SPRING WASHER | 29 | 41 |
| F1473 | HEX NUT, 10 - 24 | 19 | 24 | F1669 | STOP NUT | 31 | 54 |
| F1475 | FILL HD SCREW, 10 X 24 X 1/2 | 3 | 8 | F17006 | DETENT SPRING | 41 | 18 |
| F1513 | HEX NUT | 41 | 3 | F17009 | BEARING | 41 | 14 |
| F1513 | HEX NUT, 10 - 32 | 5 | 31 | F17010-1 | THROTTLE GEAR | 41 | 16 |
| F1513 | HEX NUT, 10 - 32 | 19 | 12 | F17011 | BOWED WASHER | 41 | 15 |
| F1513 | HEX NUT, 10 - 32 | 19 | 16 | F17012 | RETAINING PLATE | 41 | 13 |
| F1515 | HEX NUT, 5/16 - 18 | 3 | 21 | F17013 | FILL HD SCREW, 1/4 - 20 X 1/2 | 41 | 11 |
| F1515 | HEX NUT, 5/16 - 18 | 19 | 4 | F17014 | THROTTLE ARM | 41 | 10 |
| F1515 | HEX NUT, 5/16 - 18 | 27 | 2 | F17016 | CABLE TERMINAL | 41 | 9 |
| F15152 | LOCKWASHER | 11 | 11 | F17019 | CLUTCH ARM | 41 | 5 |
| F15154 | CAP, DRIVE END | 11 | 3 | F17021 | CLUTCH GEAR | 41 | 19 |
| F15157 | HOLDER, BRUSH | 11 | 9 | F17026 | SWIVEL | 41 | 24 |
| F15158 | SCREW, BRUSH HOLDER | 11 | 7 | F17036 | INTERNAL TOOTH LOCKWASHER | 41 | 6 |
| F15159 | INSULATOR | 11 | 14 | F1704 | INTERNAL TOOTH LOCKWASHER | 7 | 67 |
| F15160 | INSULATOR WASHER | 11 | 13 | F17071 | FILL HD SCREW, 10 - 24 X 5/16 | 41 | 22 |
| F15161 | PLAIN WASHER | 11 | 12 | F17082-1 | DETENT BALL | 43 | 38 |
| F15162 | NUT | 11 | 10 | F17092 | SNAP RING | 41 | 21 |
| F15164 | BRUSH KIT | 11 | 8 | F17099-1 | HOUSING | 43 | 36 |
| F15179 | CAP COMMUTATOR END W/BRUSHES AND BRUSH HOLDER | 11 | 15 | F17100 | CLUTCH SHIFT | 41 | 20 |
| F15181 | DRIVE KIT | 11 | 1 | F17105 | FELT WASHER | 41 | 33 |
| F15182 | DRIVE PINION | 11 | 2 | F17106 | COLLAR | 41 | 34 |
| F15183 | ARMATURE | 11 | 4 | F17111 | DETENT BALL | 41 | 17 |
| F15184 | THRU BOLT | 11 | 16 | F17115-1 | HANDLE | 41 | 30 |
| F1525 | WELCH PLUG, CYLINDER HEAD (NOT SHOWN) | 23 | 96 | F17116 | KNOB | 41 | 29 |
| F1526 | WELCH PLUG, CYLINDER HEAD (NOT SHOWN) | 23 | 95 | F17141 | ROUND HD SCREW, 10 - 24 X 3/8 | 41 | 25 |
| F1532 | HEX HD SCREW, 1/4 - 20 X 1 | 3 | 24 | F17149 | COTTER PIN | 41 | 8 |
| F1532 | HEX HD SCREW, 1/4 - 20 X 1 | 7 | 46 | F17153 | RETAINER PLATE | 41 | 26 |
| F154317 | CABLE CLAMP | 41 | 23 | F17154 | WOOD SCREW | 41 | 35 |
| F1544 | HEX HD CAP SCREW, 3/8 - 16 X 2-1/4 | 23 | 74 | F17155 | HEX BOLT, 1/4 - 28 X 1/2 | 41 | 7 |
| F1552 | SLOTTED PAN HD SCREW, 8 - 32 X 1/2 | 7 | 56 | F17157 | DETENT SPRING | 43 | 37 |
| F1556 | FILL HD SCREW, W/LOCKWASHER, 10 - 24 X 3/8 | 19 | 32 | F1727 | PLASTIC RIVET | 19 | 30 |
| F1593 | HEX HD SCREW, S.S., 3/8 - 16 X 3 | 31 | 47 | F1733 | PAN HD SCREW 10 - 24 X 9/16 | 3 | 15 |
| F1600 | LOCK NUT, PIVOT TUBE | 31 | 45 | F1733 | PAN HD SCREW, 10 - 24 X 9/16 | 5 | 32 |
| F1615 | HEX NUT, 5/16 - 24 | 7 | 38 | F1733 | PAN HD SCREW, 10 - 24 X 9/16 | 31 | 55 |
| | | | | F1733 | PAN HD. M. SC., #10 - 24 X 9/16 | 33 | 96 |
| | | | | F1741 | PAN HD SCREW, 8-3/4 | 9 | 75 |
| | | | | F1744 | SPRING PIN | 31 | 75 |

PARTS INDEX

| Part Number | Description | Pg. | Ref. No. | Part Number | Description | Pg. | Ref. No. |
|-------------|--|-----|----------|-------------|---|-----|----------|
| F1755 | ROUND HD SCREW W/LOCKWASHER, 6 - 32 X 1/4 | 27 | 12 | F1922 | HEX HD SCREW, 1/4 - 20 X 5/8 | 23 | 86 |
| F1767 | FILL HD. M. SC., #10 - 24 X 3 | 33 | 97 | F1929 | HEX HD CAP SCREW, S.S., 3/8 - 16 X 1-1/8 | 29 | 24 |
| F1768 | FILL HD. M. SC., #10 - 24 X 1-3/8 | 33 | 98 | F1934 | FLAT HD SLOTTED SCREW, 6 X 1/2 | 5 | 23 |
| F177330 | FUEL PUMP VALVE | 13 | 9 | F1947 | FLANGED 12 POINT SCREW, 5/16 - 18 X 2 | 31 | 87 |
| F177917 | STARTER RELAY | 7 | 37 | F1958 | PAN HD SCREW, 6 X 7/16 | 7 | 61 |
| F17815 | SEAL, FUEL LINE COUPLER (SMALL) | 39 | 5 | F1969 | FILL HD SCREW, 1/4 - 20 X 3/4 | 19 | 31 |
| F17816 | SEAL, FUEL LINE COUPLER (LARGE) | 39 | 4 | F1971 | HEX HD SCREW, 1/4 - 20 X 2-1/8 | 23 | 85 |
| F17817 | SEAL, FUEL TANK ADAPTER USED WITH 485755-1 ADAPTER | 39 | 11 | F1974 | SLOTTED PAN HD SCREW, 10 - 24 X 5/8 | 5 | 5 |
| F17818 | GASKET | 39 | 12 | F1975 | LOCKWASHER | 5 | 4 |
| F1804 | STOP NUT, 10 - 32 | 21 | 63 | F197787-3 | FUEL LINE COUPLER | 39 | 6 |
| F18160-3 | REED, CYLINDER DRAIN | 21 | 48 | F197813 | BEARING, REVERSE LOCK SHAFT REAR | 31 | 62 |
| F183300 | SPRING | 3 | 20 | F1987 | PLAIN WASHER | 3 | 19 |
| F183346-1 | SHOCK MOUNT LOWER | 29 | 32 | F1987 | PLAIN WASHER | 31 | 82 |
| F1836 | SPRING PIN | 31 | 61 | F1995 | FILL HD SCREW, 10 - 24 X 1 | 19 | 27 |
| F184033-1 | SWIVEL, CHOKE ROD | 15 | 35 | F1995 | FILL HD SCREW, 10 - 24 X 1- 1/16 | 23 | 80 |
| F184122-1 | CRANKCASE PARTING LINE SEAL | 21 | - | F1997 | STOP NUT 8-32 | 17 | 42 |
| F184122-1 | CRANKCASE PARTING LINE SEAL (CUT TO 26") | 21 | 71 | F1997 | STOP NUT, 8 - 32 | 23 | 94 |
| F184579 | SEAL, CHOKE ARM SWIVEL | 15 | 34 | F2008 | HEX HD M.S., 1/4 - 20 X 7/8 | 37 | 55 |
| F1849 | HEX HD SCREW, S.S., 1/4 - 20 X 1-3/8 | 29 | 17 | F2008 | HEX HD SCREW, 1/4 - 20 X 7/8 | 27 | 1 |
| F1851 | FILL HD M. SCREW W/LOCKWASHER, 10 - 24 X 1/2 | 29 | 4 | F2014 | PLAIN WASHER | 23 | 75 |
| F1854 | HEX HD SCREW, 1/4 - 20 X 5/8 | 7 | 44 | F2014 | PLAIN WASHER | 37 | 59 |
| F1854 | HEX SLOT HD SCREW, 1/4 - 20 X 5/8 | 19 | 6 | F201529-1 | CYLINDER HEAD GASKET | 21 | 66 |
| F1857 | HEX CAP SCREW, 5/16 - 18 X 5/8 | 21 | 61 | F201529-1 | GASKET, CYLINDER HEAD | 21 | - |
| F185764 | RETAINING RING | 31 | 80 | F2016 | FILL HD SCREW, 8 - 32 X 7/8 | 5 | 28 |
| F1860 | SLOTTED BINDING HD SCREW, 6 - 32 X 1/4 | 13 | 8 | F2025 | PAN HD SCREW, 10 X 5/8 | 3 | 3 |
| F1864 | HEX CAP SCREW, 1/4 - 20 X 3/4 | 3 | 10 | F2030 | HEX HD SCREW, S.S., 1/4 - 20 X 1-1/4 | 37 | 52 |
| F1864 | HEX CAP SCREW, 1/4 - 20 X 3/4 | 21 | 62 | F2030 | SCREW 1/4 - 20 X 1-1/4 | 37 | - |
| F1864 | HEX HD SCREW, 1/4 - 20 X 3/4 | 19 | 9 | F203276 | COIL BOOT | 5 | 16 |
| F1879 | HEX SOCKET HD CAP SCREW, 3/8 - 16 X 1-5/8 | 19 | 8 | F2033 | GROVE PIN | 17 | 41 |
| F1904 | PLAIN WASHER | 31 | 48 | F203673-1 | TERMINAL CLIP | 5 | 17 |
| F1905 | FILL HD SCREW, 1/4 - 20 X 3-7/16 | 29 | 22 | F203965 | SHOCK MOUNT UPPER | 29 | 7 |
| F191169-1 | SWIVEL BRACKET BEARING | 29 | 35 | F2066 | PAN HD SELF-TAPPING SCREW | 3 | 4 |
| F1920 | HEX NUT, 5/8 - 18 | 7 | 72 | F2071 | HEX CAP SCREW, 5/16 - 18 X 1-3/8 | 7 | 63 |
| F1922 | HEX CAP SCREW, 1/4 - 20 X 5/8 | 5 | 18 | F2073 | HEX CAP SCREW 3/8 - 24 X 1-5/8 | 33 | 101 |
| F1922 | HEX CAP SCREW, 1/4 - 20 X 5/8 | 29 | 11 | F2088 | FASTENER | 31 | 58 |
| F1922 | HEX HD SCREW, 1/4 - 20 X 5/8 | 13 | 3 | F2093 | STOP NUT | 33 | 102 |
| | | | | F2097 | SPRING PIN | 35 | 23 |
| | | | | F213251 | GAUGE CAP (USA ONLY) (NOT SHOWN) | 39 | - |
| | | | | F213274 | GREASE FITTING | 31 | 63 |
| | | | | F215962 | SHOCK MOUNT SIDE LOWER | 31 | 86 |
| | | | | F2165 | RIVET, TRIM | 3 | 33 |
| | | | | F224394-3 | DECAL, FUEL MIXTURE - U.S.A. (NOT SHOWN) | 39 | - |
| | | | | F24074 | CLAMP SCREW FOOT | 31 | 69 |

PARTS INDEX

| Part Number | Description | Pg. | Ref. No. | Part Number | Description | Pg. | Ref. No. |
|-------------|------------------------------------|-----|----------|-------------|----------------------------------|-----|----------|
| F260446-1 | CLAMP | 7 | 70 | F366350-1 | TILT STOP PIVOT | 29 | 39 |
| F268002-2 | CAM | 7 | 45 | F366364 | ARM, REVERSE LOCK | 31 | 59 |
| F269052 | SHIFT ARM BEARING | 19 | 36 | F366426 | TILT STOP - PORT | 29 | 40 |
| F269319 | THROTTLE CAM BEARING | 19 | 11 | F366433 | TILT STOP, STARBOARD | 31 | 65 |
| F269445-1 | SPARK CONTROL LINK | 19 | 25 | F366510-1 | LINK, REVERSE LOCK | 31 | 60 |
| F269929 | SPACER, TILT STOP | 29 | 38 | F366727 | BALL, PROPELLER SHAFT | 35 | 20 |
| F286461 | SPRING LOCK BAR HANDLE | 31 | 77 | F366886 | PIN | 31 | 51 |
| F286772-1 | CLAMP | 29 | 9 | F380475 | COIL | 5 | 30 |
| F289664 | WIRE STATOR GROUND | 7 | 58 | F380501-1 | COIL MOUNT | 7 | 55 |
| F295175 | WASHER, INSULATING | 23 | 101 | F380513 | COIL CLAMP | 5 | 27 |
| F298788 | FERRULE | 39 | 7 | F381896-4 | BATTERY CABLE (FORCE MODELS) | 5 | - |
| F2A474266 | BEVEL PINION | 35 | 35 | F391926-1 | CHOKE SOLENOID PLUNGER | 17 | 40 |
| F2C658712 | ENGINE COVER COMPLETE | 3 | - | F3A433757 | CYLINDER DRAIN REED PLATE | 21 | 49 |
| F307038 | SUPPORT PLATE | 3 | 13 | F40008 | STUD, SHORT | 35 | 39 |
| F307104 | WIRE THERMOSWITCH | 23 | 100 | F40017-2 | PISTON PIN | 25 | 9 |
| F307211 | STUD | 19 | 2 | F40146-1 | CRANKSHAFT SEAL | 25 | 1 |
| F307279-2 | CYLINDER EXHAUST GASKET UPPER | 29 | 1 | F40151-1 | EXHAUST PORT PLATE | 23 | 89 |
| F307279-2 | GASKET, CYLINDER EXHAUST - UPPER | 21 | - | F40154-3 | EXHAUST PORT PLATE GASKET | 23 | 88 |
| F307317 | CLIP, TERMINAL BLOCK - GROUND | 5 | 11 | F40154-3 | GASKET, EXHAUST PORT PLATE | 21 | - |
| F307615-1 | GEAR SHIFT ROD UPPER | 31 | 83 | F40209 | CARBURETOR STUD | 27 | 3 |
| F307660-1 | LEG EXHAUST TUBE | 29 | 3 | F40223 | GASKET, TRANSFER PORT COVER | 21 | - |
| F307683 | WIRE, CIRCUIT BREAKER | 5 | 1 | F40223 | TRANSFER PORT COVER GASKET | 21 | 54 |
| F307818 | BEARING, LATCH SHAFT | 3 | 17 | F40279-1 | CYLINDER EXHAUST BASKET LOWER | 29 | 13 |
| F307860 | INTAKE SILENCER | 3 | 27 | F40279-1 | GASKET, CYLINDER EXHAUST - LOWER | 21 | - |
| F307942-1 | BUMPER | 19 | 20 | F40307-2 | SEAL, DRIVESHAFT | 37 | 46 |
| F307962 | SHOCK MOUNT - SIDE - UPPER | 29 | 14 | F40342 | SEAL | 35 | 5 |
| F310398 | DECAL, WARNING (NOT SHOWN) | 39 | - | F40342 | SEAL, PROPELLER NUT | 35 | 11 |
| F311744-2 | WIRING HARNESS | 5 | 2 | F40410 | SNAP RING | 25 | 14 |
| F311984-1 | BLANKET SILENCER - TOP (NOT SHOWN) | 3 | - | F404801 | ELBOW | 21 | 64 |
| F311996 | GASKET, CYLINDER HEAD COVER | 21 | - | F404841 | CABLE OVERHEAT BUZZER | 7 | 74 |
| F316160 | REED | 27 | 10 | F405457 | PIVOT SCREW | 19 | 33 |
| F316599 | SEAL, PIVOT TUBE | 33 | 89 | F40717 | THRUST WASHER, BEVEL GEAR | 35 | 91 |
| F328109 | PLUG | 19 | 21 | F40833-4 | GASKET, IDLE RELIEF COVER | 21 | - |
| F333316 | THROTTLE ROLLER SHAFT | 17 | 44 | F40833-4 | MOTOR LEG EXHAUST COVER GASKET | 29 | 21 |
| F335217-1 | BEARING | 25 | 8 | F40906-1 | CARBURETOR GASKET | 15 | 33 |
| F338129-1 | SEAL, DRIVESHAFT SPLINE | 35 | 1 | F40906-1 | GASKET, CARBURETOR | 21 | - |
| F338271 | RETAINER | 35 | 2 | F409251-1 | GAUGE CAP (CANADA ONLY) | 39 | 1 |
| F338618-1 | SEAL, SHIFT ROD LOWER | 37 | 43 | F428015-1 | PISTON, STANDARD | 25 | 12 |
| F345427-1 | BRACKET, STARTER MOUNTING | 19 | 1 | F428096 | RETAINER, PISTON PIN | 25 | 11 |
| F345683 | WIRE - GROUND | 5 | 10 | F433065-2 | IMPELLER | 37 | - |
| F349307 | DRIVESHAFT SEAL - WATER PUMP | 37 | 50 | F433065-2 | WATER PUMP IMPELLER | 37 | 48 |
| F353480 | STUD | 31 | 68 | F433114 | HANDLE, LOCK BAR | 31 | 76 |
| F366013 | CRANKSHAFT THRUST BEARING UPPER | 25 | 18 | F433168 | CARBURETOR ADAPTER GASKET | 27 | 5 |
| F366058 | BALL BEARING, PROPELLER SHAFT | 35 | 16 | F433168 | GASKET, CARBURETOR ADAPTER | 23 | - |
| F366215 | SPACER | 25 | 10 | F433192 | THROTTLE CAM | 19 | 14 |
| F366277 | BEARING CAGE GASKET | 25 | 4 | | | | |
| F366277 | GASKET, BEARING CAGE | 23 | - | | | | |
| F366300 | REVERSE LOCK SPRING | 31 | 52 | | | | |
| F366349 | REVERSE LOCK | 31 | 53 | | | | |

PARTS INDEX

| Part Number | Description | Pg. | Ref. No. | Part Number | Description | Pg. | Ref. No. |
|-------------|----------------------------|-----|----------|-------------|------------------------------|-----|----------|
| F433209-1 | STUD, THROTTLE CAM | 19 | 10 | F522286 | STERN BRACKET FRICTION | | |
| F433254 | HOSE | 21 | 65 | | WASHER | 29 | 37 |
| F433404 | DEFLECTOR PLATE | 27 | 7 | F522359 | SPACER, STEERING LINK . . | 33 | 100 |
| F433406 | DEFLECTOR PLATE | | | F522532-1 | STERN BRACKET - PORT . . | 29 | 43 |
| | GASKET | 27 | 8 | F522884 | BEARING, REVERSE LOCK | | |
| F433406 | GASKET, DEFLECTOR | | | | SHAFT | 31 | 57 |
| | PLATE | 23 | - | F544390-1 | DECAL, TILT LOCK | 31 | 50 |
| F433680 | SPACER PLATE | 29 | 2 | F545189 | BUSHING, CABLE ENTRY . . | 3 | 18 |
| F433689 | TOWERSHAFT BEARING . . | 19 | 28 | F549189 | BUSHING ELECTRIC CABLE | | |
| F433946 | SHOCK MOUNT UPPER | | | | ENTRY | 3 | 14 |
| | COVER | 29 | 8 | F563 | TERMINAL BLOCK KIT | 50 | - |
| F433972 | SHOCK MOUNT LOWER | | | F575675 | STARTER MOUNTING | | |
| | COVER - STARBOARD . . | 31 | 85 | | BRACKET - LOWER | 19 | 5 |
| F433973 | SHOCK MOUNT LOWER | | | F575955 | STARTER MOTOR | | |
| | COVER - PORT | 29 | 26 | | COMPLETE | 11 | - |
| F434754 | FUEL LINE, PUMP TO | | | F580892-2 | DECAL | 41 | 27 |
| | CARBURETOR | 13 | 17 | F58685-2 | CONNECTOR, SHIFT CABLE | | |
| F434758 | FUEL PUMP IMPULSE HOSE | 13 | 6 | | (FORCE AND BAYLINER | | |
| F435057 | BEARING, DRIVESHAFT | | | | MODELS) | 41 | 2 |
| | UPPER | 37 | 45 | F590 | REMOTE CONTROL FLUSH | | |
| F435077 | SCREEN, WATER INLET . . . | 37 | 44 | | MOUNT (SINGLE LEVER) | 50 | - |
| F435133-1 | MOTOR LEG | 29 | 23 | F5H019 | ANTI-CORROSION KIT | 49 | - |
| F435244 | INLET WATER LINE | 35 | 7 | F5H020 | CARRYING HANDLE | 49 | - |
| F435323 | PACKING, LEG COVER | | | F5H021 | BATTERY EXTENSION | | |
| | LOWER | 33 | 92 | | CABLE | 49 | - |
| F435555 | SEAL, GEAR HOUSING | 37 | 41 | F5H023 | REMOTE STEERING | | |
| F435562 | BACK PLATE, WATER PUMP | 37 | - | | BRACKET | 50 | - |
| F435562 | WATER PUMP BACK PLATE | 37 | 47 | F5H025 | ANTI-CORROSION | | |
| F435705 | GEAR SHIFT ROD LOWER . . | 35 | 36 | | SACRIFICIAL ANODE | 49 | - |
| F438165 | SCREW, FUEL BOWL | 13 | 19 | F5H026-1 | FUEL TANK (ACCESSORY | | |
| F438500 | FUEL SEDIMENT BOWL . . . | 13 | 18 | | ITEM) | 39 | 2 |
| F438617 | FUEL SEDIMENT BOWL | | | F5H026-1 | FUEL TANK, 6 GALLON, | | |
| | GASKET | 13 | 15 | | STEEL | 49 | - |
| F438653 | FUEL PUMP SCREEN | 13 | 16 | F5H028 | SENDING UNIT | 49 | - |
| F438747 | FUEL PUMP DIAPHRAGM . . | 13 | 7 | F5H029 | FUEL TANK ANCHOR | 49 | - |
| F438760 | FUEL PUMP GASKET | 13 | 4 | F5H030 | SWITCH KIT - RUNNING | | |
| F438801 | ELBOW | 13 | 13 | | LIGHTS | 50 | - |
| F452925 | CHOKE SOLENOID ROD . . . | 17 | 39 | F5H031 | SWITCH KIT - SPOT LIGHT . . | 50 | - |
| F455690 | SET SCREW | 41 | 31 | F5H032 | SWITCH KIT - WIPER | 50 | - |
| F458774 | BRACKET RETAINER - REAR | 3 | 11 | F5H034 | SWITCH KIT - BILGE PUMP . . | 50 | - |
| F463314 | ELBOW W/VALVE | 23 | 90 | F5H035 | SWITCH KIT - HORN | 50 | - |
| F463864 | RETAINER, TILT HANDLE . . | 3 | 5 | F5H036 | SWITCH KIT - TACHOMETER | | |
| F465985 | BLANKET, SILENCER - SIDE | | | | TRANSFER | 51 | - |
| | (NOT SHOWN) | 3 | - | F5H037 | SWITCH KIT - LIGHTER | 51 | - |
| F466095 | STATOR | 7 | 59 | F5H038 | IGNITION SWITCH | | |
| F466479 | BREAKER PLATE SHOE . . . | 7 | 62 | | MOUNTING KIT | | |
| F467841 | COIL WIRE - CANADA | 5 | - | | (ACCESSORY ITEM) | 5 | 22 |
| F474073-1 | CLAMP SCREW | 31 | 73 | F5H038 | SWITCH KIT - IGNITION . . . | 51 | - |
| F474992 | BLANKET SILENCER - | | | F5H039 | SWITCH KIT - | | |
| | FRONT (NOT SHOWN) . . | 3 | - | | INSTRUMENTS | 51 | - |
| F485755-1 | FUEL TANK ADAPTER | 39 | 3 | F5H041 | BATTERY TERMINAL KIT . . | 49 | - |
| F498618 | SEAL, O-RING | 35 | 30 | F5H041 | BATTERY TERMINAL KIT | | |
| F498891 | GEAR SHIFT ARM PIVOT | | | | (ACCESSORY ITEM) | 5 | 25 |
| | PIN | 35 | 29 | F5H055 | WATER PUMP KIT | 49 | - |
| F50109 | PLUG, GEAR HOUSING | 35 | 27 | F5H070 | REMOTE ELECTRIC CABLE | 50 | - |
| F510374-1 | DECAL, CIRCUIT BREAKER | 7 | 35 | F5H073 | OVERHEAT BUZZER | | |
| F510460 | CIRCUIT BREAKER | 7 | 34 | | (ACCESSORY ITEM) | 9 | 76 |
| F522032 | STERN BRACKET - | | | F5H073 | OVERHEAT BUZZER KIT . . . | 49 | - |
| | STARBOARD | 31 | 67 | F5H075 | WIRING HARNESS (24") . . . | 50 | - |
| F522125-1 | TUBE, PIVOT STEERING . . . | 31 | 70 | | | | |

PARTS INDEX

| Part Number | Description | Pg. | Ref. No. | Part Number | Description | Pg. | Ref. No. |
|-------------|-----------------------------|-----|----------|-------------|---------------------------|-----|----------|
| F5H077 | IGNITION KEY SWITCH | 49 | - | F8060 | EXTERNAL TOOTH | | |
| F5H078 | IGNITION KEY SWITCH | 49 | - | | LOCKWASHER | 25 | 19 |
| F5H078 | IGNITION SWITCH | | | F8061 | INTERNAL TOOTH | | |
| | (ACCESSORY ITEM) | 5 | 21 | | LOCKWASHER | 41 | 12 |
| F5H081 | BATTERY CABLE | 49 | - | F8065 | LOCKWASHER | 35 | 32 |
| F5H084 | TRAILERING TILT LOCK . . . | 33 | 104 | F8065 | SPRING LOCKWASHER . . . | 29 | 25 |
| F5H084 | TRAILERING TILT LOCK . . . | 49 | - | F8077 | WASHER, GEAR HOUSING | | |
| F5H120 | REMOTE CONTROL BACK | | | | PLUG | 35 | 28 |
| | PLATE | 49 | - | F8083 | PLAIN WASHER | 33 | 103 |
| F5H130-1 | REMOTE CONTROL | | | F8083 | SPRING LOCKWASHER . . . | 5 | 9 |
| | SURFACE MOUNT | | | F8083 | SPRING LOCKWASHER . . . | 21 | 59 |
| | (SINGLE LEVER) | 49 | - | F8083 | SPRING LOCKWASHER . . . | 23 | 73 |
| F5H132 | REMOTE CONTROL HANDLE | | | F8083 | SPRING LOCKWASHER . . . | 29 | 18 |
| | TRIM SWITCH | 50 | - | F8088 | PLAIN WASHER | 7 | 66 |
| F5H141 | LINK, STEERING | 33 | 99 | F8088 | PLAIN WASHER | 15 | 37 |
| F5H141 | STEERING LINK KIT | 50 | - | F8094 | PLAIN WASHER | 7 | 40 |
| F5H143 | POWER TILT | 49 | - | F8096 | SPRING LOCKWASHER . . . | 3 | 22 |
| F5H147 | POWER TRIM | 49 | - | F8096 | SPRING LOCKWASHER . . . | 7 | 39 |
| F5H153 | TACHOMETER | 50 | - | F8096 | SPRING LOCKWASHER . . . | 19 | 3 |
| F5H154 | SPEEDOMETER | 50 | - | F84026 | SPARK CONTROL SWIVEL . | 19 | 22 |
| F5H156 | TEMPERATURE GAUGE . . . | 49 | - | F84035-2 | SPARK CONTROL BEARING, | | |
| F5H157 | VOLTMETER | 50 | - | | R.H. | 19 | 26 |
| F5H159 | HOURLMETER | 50 | - | F84036 | SPARK CONTROL BEARING, | | |
| F5H160 | POWER TRIM INDICATOR . | 49 | - | | L.H. | 19 | 23 |
| F5H176 | FUEL TANK | 39 | 2A | F84280 | KINGPIN NUT | 29 | 30 |
| F5H177 | FLUSHING ADAPTER | 49 | - | F84314-2 | ELBOW | 13 | 5 |
| F5H181 | FORCE WHITE ENAMEL . . . | 49 | - | F84314-2 | ELBOW, FUEL LINE | 21 | 57 |
| F5H182 | FORCE WHITE ENAMEL . . . | 49 | - | F84449 | NEUTRAL INTERLOCK | | |
| F629843 | ELECTRIC CONTROL CABLE | | | | SWITCH | 7 | 65 |
| | - 14 1/2 FT. (507X6A | | | F84792 | FUEL PUMP VALVE GASKET | 13 | 10 |
| | 507XC6A) | 5 | 7 | F85372 | PIN, GEAR SHIFT ROD | | |
| F629896 | BATTERY CABLE (BAYLINER | | | | LOWER | 35 | 38 |
| | MODELS) | 5 | 24 | F8538 | SPRING PIN | 31 | 72 |
| F650450 | RECTIFIER | 5 | 12 | F8545 | SPRING PIN | 23 | 93 |
| F654976 | CONNECTOR, THROTTLE | | | F85502 | THROTTLE LINK | 19 | 18 |
| | CABLE (BAYLINER | | | F8559 | DOWEL PIN | 21 | 52 |
| | MODELS 507X6A, | | | F85610 | BEARING | 19 | 35 |
| | 507XC6A) | 41 | - | F85634-2 | CONNECTING ROD SCREW | 25 | 17 |
| F658396 | DECAL, ENGINE COVER | | | F85735-1 | SEAL, TRIM (INSIDE OF | | |
| | STARBOARD | 3 | 9 | | COVER) | 3 | 32 |
| F658397 | DECAL, ENGINE COVER | | | F85756 | SUPPORT PLATE PACKING | 3 | 12 |
| | PORT | 3 | - | F85843-1 | ELECTRIC CONTROL CABLE | | |
| F658528 | DECAL, REAR | 3 | 30 | | - 18 FT. (507F6A 507FC6A) | 5 | - |
| F7004 | ELASTIC STOP NUT 3/8 - 16 | 37 | 60 | F85908-1 | WIRE, STARTER | 11 | 6 |
| F7004 | STOP NUT, 7/16 - 20 | 19 | 37 | F88161-4 | REED STOP | 27 | 11 |
| F7007 | NUT | 29 | 44 | F89011 | SWIVEL BRACKET WASHER | 29 | 31 |
| F7008 | ELASTIC STOP NUT, 1/4 - 20 | 19 | 17 | F89025 | PAD, DAMPENING - LEG | | |
| F7008 | STOP NUT | 11 | 17 | | COVER | 33 | 94 |
| F7011 | HEX NUT, 10 - 24 | 3 | 6 | F89504 | GROMMET, MOTOR LEG | | |
| F762 | REMOTE ELECTRIC CABLE | 50 | - | | EXHAUST COVER | 33 | 93 |
| F8003 | PLAIN WASHER | 21 | 46 | F89777-1 | LATCH CAM | 3 | 23 |
| F8011 | PLAIN WASHER | 7 | 33 | F90014 | CRANKSHAFT LOWER MAIN | | |
| F8025 | PLAIN WASHER | 29 | 10 | | BEARING | 25 | 16 |
| F8038 | PLAIN WASHER | 29 | 15 | F901563 | DRIVE PIN | 37 | - |
| F8042 | PLAIN WASHER | 35 | 6 | F901563 | DRIVE PIN, WATER PUMP | | |
| F8049 | BOWED SPRING WASHER . | 31 | 81 | | IMPELLER | 35 | 4 |
| F8056 | LOCKWASHER | 23 | 98 | F9018 | PLASTIC CAP, PIVOT TUBE | 31 | 71 |
| F8056 | SPRING LOCKWASHER . . . | 5 | 13 | F9052 | PLASTIC PLUG, PIVOT TUBE | 31 | 46 |
| F8058 | INTERNAL TOOTH | | | F90619-2 | YOKE | 37 | 56 |
| | LOCKWASHER | 19 | 13 | F90871-3 | GEAR SHIFT ARM PIN . . . | 35 | 22 |

PARTS INDEX

| Part Number | Description | Pg. | Ref. No. | Part Number | Description | Pg. | Ref. No. |
|-------------|--------------------------|-----|----------|-------------|--------------------------|-----|----------|
| F91446-1 | CIRCUIT BREAKER | | | FA465010 | CYLINDER | 21 | 53 |
| | BRACKET | 7 | 36 | FA466144 | CRANKSHAFT BEARING | | |
| F92498 | KEY | 7 | 43 | | CAGE | 25 | 3 |
| F92759 | ROLLER | 17 | 43 | FA485662 | BEVEL GEAR REAR | 35 | 18 |
| F93472-1 | CYLINDER DRAIN COVER | | | FA485914 | SEAL, INLET WATER LINE, | | |
| | GASKET | 19 | 44 | | LOWER | 37 | 51 |
| F93472-1 | GASKET, CYLINDER DRAIN | | | FA486054 | GEAR HOUSING LOWER | 35 | 26 |
| | COVER | 21 | - | FA545554 | GEAR HOUSING UPPER | 37 | 42 |
| F93748-1 | CYLINDER DRAIN REED | | | FA58976-1 | CONNECTOR, THROTTLE | | |
| | PLATE | 21 | 51 | | CABLE (FORCE MODELS | | |
| F93748-1 | GASKET, CYLINDER DRAIN | | | | 507F6A, 507FC6A) | 41 | 1 |
| | REED PLATE | 21 | - | FA609853 | DECAL, WARNING | 7 | 73 |
| F93811 | SCREEN CYLINDER DRAIN | | | FA613072 | SWIVEL BRACKET | 29 | 36 |
| | REED PLATE | 21 | 50 | FA616497 | TERMINAL BLOCK | 5 | 3 |
| F93920 | CYLINDER DRAIN REED | | | FA658158 | REED PLATE | 27 | 9 |
| | STOP | 21 | 47 | FA84754-1 | FUEL LINE SHORT | 39 | 8 |
| F97008-1 | STUD, LONG | 35 | 31 | FA89128-1 | DRIVESHAFT | 35 | 3 |
| F97066-1 | THERMOSTAT COVER | 23 | 79 | FA89832-2 | MOTOR LEG EXHAUST | | |
| F97067 | GASKET, THERMOSTAT | | | | COVER | 29 | 20 |
| | COVER | 21 | - | FA94094-2 | PROPELLER NUT | 35 | 9 |
| F97067 | THERMOSTAT COVER | | | FA97247 | WATER TUBE, | | |
| | GASKET | 23 | 78 | | THERMOSTAT | 23 | 83 |
| F97068-2 | THERMOSTAT (130-) | 23 | 77 | FC311398 | DECAL, TOTE TANK- | | |
| F97275 | FITTING, THERMOSTAT | 23 | 81 | | CANADA (NOT SHOWN) | 39 | - |
| F97504 | GROMMET, THERMOSTAT | 23 | 76 | FC465010 | SHORT BLOCK. | 21 | - |
| F97772 | CLAMP | 23 | 82 | FC486054 | GEAR HOUSING KIT. | 35 | - |
| F97772 | FUEL LINE CLAMPS | 13 | 14 | FG1007-1 | GASKET SET. | 21 | 72 |
| F98273 | ROD END CONNECTOR | | | FK10120-1 | FLOAT KIT, VALVE & SEAT | 15 | 31 |
| | STUD | 21 | 58 | FK10202 | REPAIR KIT | 15 | 32 |
| F99521-1 | CLUTCH | 35 | 24 | FK10209 | GASKET KIT. | 15 | 17 |
| FA27232 | EMERGENCY STARTER | | | FK1073 | WATER PUMP KIT. | 37 | 58 |
| | ROPE (NOT SHOWN) | | | FK1074 | GEAR HOUSING SEAL KIT. | 37 | 57 |
| | WITH HANDLE | 5 | - | FK1075 | TUNE-UP KIT. | 5 | 6 |
| FA307779 | BAFFLE, AIR INTAKE | 3 | 25 | FK1123 | SPARKIE KIT | 5 | 8 |
| FA328763 | COVER LATCH HANDLE | | | FK17114-1 | INDICATOR | 41 | 32 |
| | W/SHAFT | 3 | 16 | FK17156 | BAG ASSEMBLY (NOT | | |
| FA366778 | ENGINE COVER RETAINER | | | | SHOWN). | 43 | - |
| | FORWARD | 3 | 26 | FK247 | PROPELLER PIN, PACK OF | | |
| FA40655 | CRANKSHAFT CENTER | | | | 6 | 35 | 12 |
| | MAIN BEARING RACE | 25 | 15 | FK405020 | SWIVEL | 19 | 34 |
| FA411222 | TRANSFER PORT COVER | 21 | 55 | FK433838 | TOWERSHAFT | 19 | 29 |
| FA433113 | STERN BRACKET LOCK BAR | 31 | 74 | FK606711 | PLATE, FRONT | 3 | 29 |
| FA433152 | EXHAUST PORT COVER | 23 | 87 | FK628061 | CARBURETOR ASSEMBLY | | |
| FA433167 | CARBURETOR ADAPTER | | | | (WE-13) | 15 | - |
| | FLANGE | 27 | 4 | FK85228-1 | BEARING CAGE W/ROLLERS | | |
| FA433471 | CYLINDER DRAIN COVER | | | | (16 PER SET) | 25 | 6 |
| | W/FITTING | 19 | 43 | FP293 | PROPELLER (ACCESSORY | | |
| FA435018 | CRANKSHAFT | 25 | 5 | | ITEM) | 35 | 8 |
| FA435116 | EXHAUST, SNOUT | 35 | 40 | FS307940 | KINGPIN PLATE | 29 | 6 |
| FA435135 | COVER, LEG ST BD | 33 | 90 | FS409752 | FUEL LINE - COMPLETE | 39 | - |
| FA435145 | COVER, LEG PORT | 33 | 91 | FS433758 | HOSE W/VALVE | 23 | 91 |
| FA435260 | PISTON RINGS (2 PER SET) | | | FS606712 | ENGINE COVER | 3 | 1 |
| | STANDARD | 25 | 13 | FSA435260 | PISTON RINGS (2 PER SET) | | |
| FA435616 | GEAR SHIFT ROD | | | | .010 OVERSIZE | 25 | - |
| | INTERMEDIATE | 37 | 53 | FT1749 | RETAINING RING PLIERS | 45 | - |
| FA438431 | FUEL PUMP BODY | 13 | 11 | FT2910 | KNOCK-OFF-NUT | 44 | - |
| FA439746 | FUEL PUMP COVER | 13 | 1 | FT2938-1 | TEST LIGHT | 47 | - |
| FA458480 | ENGINE COVER RETAINER | 3 | 7 | FT2951 | CIRCUIT TRACER | 47 | - |
| FA463060 | WATER PUMP BODY | 37 | - | FT2953 | SOCKET | 45 | - |
| FA463060 | WATER PUMP BODY | 37 | 49 | FT2955A | TEST WHEEL | 47 | - |

PARTS INDEX

| Part Number | Description | Pg. | Ref. No. | Part Number | Description | Pg. | Ref. No. |
|-------------|-----------------------------|-----|-------------|--------------|----------------------------|-----|-------------|
| FT2961 | LUBRICANT - RYKON | | | 89-817760A2 | CHOKE SOLENOID | 7 | 42 |
| | GREASE #2EP | 48 | - | 200-817739A6 | FLYWHEEL | 7 | 71 |
| FT2962-2 | SEALANT - 50 CC LOCTITE | | | 597-1 | US MARINE OUTBOARD | | |
| | H, NON-HARDENING | | | | GEAR LUBE | 50 | - |
| | GRADE | 48 | - | 600-818052A4 | CONNECTING ROD | 25 | 7 |
| FT2963-2 | SEALANT - 2 OZ. LOCTITE | | | 700-817990A2 | PISTON .010 OVERSIZE . . . | 25 | - |
| | #271 | 48 | - | 700-818114A2 | PISTON .030 OVERSIZE . . . | 25 | - |
| FT2987-1 | LUBRICANT - ANTI-SEIZE . . | 48 | - | 900-818049A2 | CYLINDER HEAD W/PLUGS | 21 | 67 |
| FT2990 | PISTON PIN REMOVER | 45 | - | F596-1 | US MARINE OUTBOARD OIL | 50 | - |
| FT2991 | CARBON BRUSH | 45 | - | | | | |
| FT2996 | RING COMPRESSOR | 45 | - | | | | |
| FT2998 | TORQUE WRENCH (0- | | | | | | |
| | 100LBS./FT.) | 45 | - | | | | |
| FT2999 | TORQUE WRENCH (0- | | | | | | |
| | 600LBS./IN.) | 45 | - | | | | |
| FT3431 | SEAL INSTALLER | 46 | - | | | | |
| FT3510 | SEAL INSTALLER | 45 | - | | | | |
| FT3512 | SEAL SLEEVE | 45 | - | | | | |
| FT8900 | HOSE CLAMP PILERS | 45 | - | | | | |
| FT8904 | FORWARD BEARING CUP | | | | | | |
| | INSTALLER | 46 | - | | | | |
| FT8907 | DRIVER HANDLE | 46 | - | | | | |
| FT8918 | BUSHING GUIDE SET | 46 | - | | | | |
| FT8919 | SPRING PIN PUNCH | 46 | - | | | | |
| FT8921 | FORWARD BEARING CUP | | | | | | |
| | REMOVER | 46 | - | | | | |
| FT8926 | RING EXPANDER | 45 | - | | | | |
| FT8930-1 | FEELER GAUGE | 44 | - | | | | |
| FT8935 | SEALANT PRIMER - 6 OZ. | | | | | | |
| | LOC QUIC T | 48 | - | | | | |
| FT8936-1 | SEALANT - 2 CC LOCTITE | | | | | | |
| | RETAINING COMPOUND | | | | | | |
| | #75 | 48 | - | | | | |
| FT8945 | RETAINER PUNCH | 46 | - | | | | |
| FT8948-1 | PULLER | 44 | - | | | | |
| FT8948-1 | PULLER | 46 | - | | | | |
| FT8950 | LEAKAGE TESTER | 47 | - | | | | |
| FT8957 | SEAL INSTALLER | 46 | - | | | | |
| FT8962 | BEARING INSTALLER | 46 | - | | | | |
| FT8964 | BEARING REMOVER | 46 | - | | | | |
| FT8969 | LUBRICANT - 7 OZ. | | | | | | |
| | LUBRICANT LPS-1 | 48 | - | | | | |
| FT8978 | TIMING LIGHT | 44 | - | | | | |
| FT8983 | SEALANT - RTV | 48 | - | | | | |
| FTA2937-1 | TIMING TOOL | 44 | - | | | | |
| 22-817740A1 | ELBOW W/METERING CAP . . | 23 | 92 | | | | |
| 26-817766A1 | SEAL, KINGPIN PLATE | 29 | 5 | | | | |
| 31-817731A5 | PROPELLER SHAFT | | | | | | |
| | BEARING CAGE. | 35 | 14 | | | | |
| 32-817738A1 | FUEL LINE, LONG | 39 | 10 | | | | |
| 33-82371M | SPARK PLUG (UL-4-J) | 21 | 68 | | | | |
| 37-817792A1 | DECAL, TIMING | 27 | 13 | | | | |
| 39-818115A1 | PISTON RINGS (2 PER SET) | | | | | | |
| | .030 OVERSIZE | 25 | - | | | | |
| 43-817824A2 | BEVEL GEAR FRONT | | | | | | |
| | W/BEARING AND CUP | 35 | 25 | | | | |
| 44-819500A3 | PROPELLER SHAFT | | | | | | |
| | ASSEMBLY | 35 | 21 | | | | |
| 84-817765A2 | COIL WIRE | 5 | 15 | | | | |
| 87-817939A1 | THERMOSWITCH | 23 | 99 | | | | |