



PARTS CATALOG

SEARS 7.5 H.P.

SERIAL NUMBER

7.5 H.P. (1988)	225.581750
7.5 H.P. (1988)	225.581754

TABLE OF CONTENTS:

CARBURETOR 7.5 HP	8
CRANKSHAFT AND PISTON	14
CYLINDER	16
ENGINE COVER AND SUPPORT PLATE	2
FUEL INTAKE AND RECIRCULATION SYSTEM	6
FUEL TANK AND LINE	30
GEARHOUSING	26
IGNITION SYSTEM	10
MOTOR LEG AND SWIVEL BRACKET	18
PARTS INDEX	32
SHIFT LINKAGE	4
STARTER	12
STERN BRACKETS	24
TILLER HANDLE AND THROTTLE LINKAGE	20

NOTE: *Indented description indicate that these parts are included in preceeding assembly.*

AR = As Required

NSS = Not Sold Separate

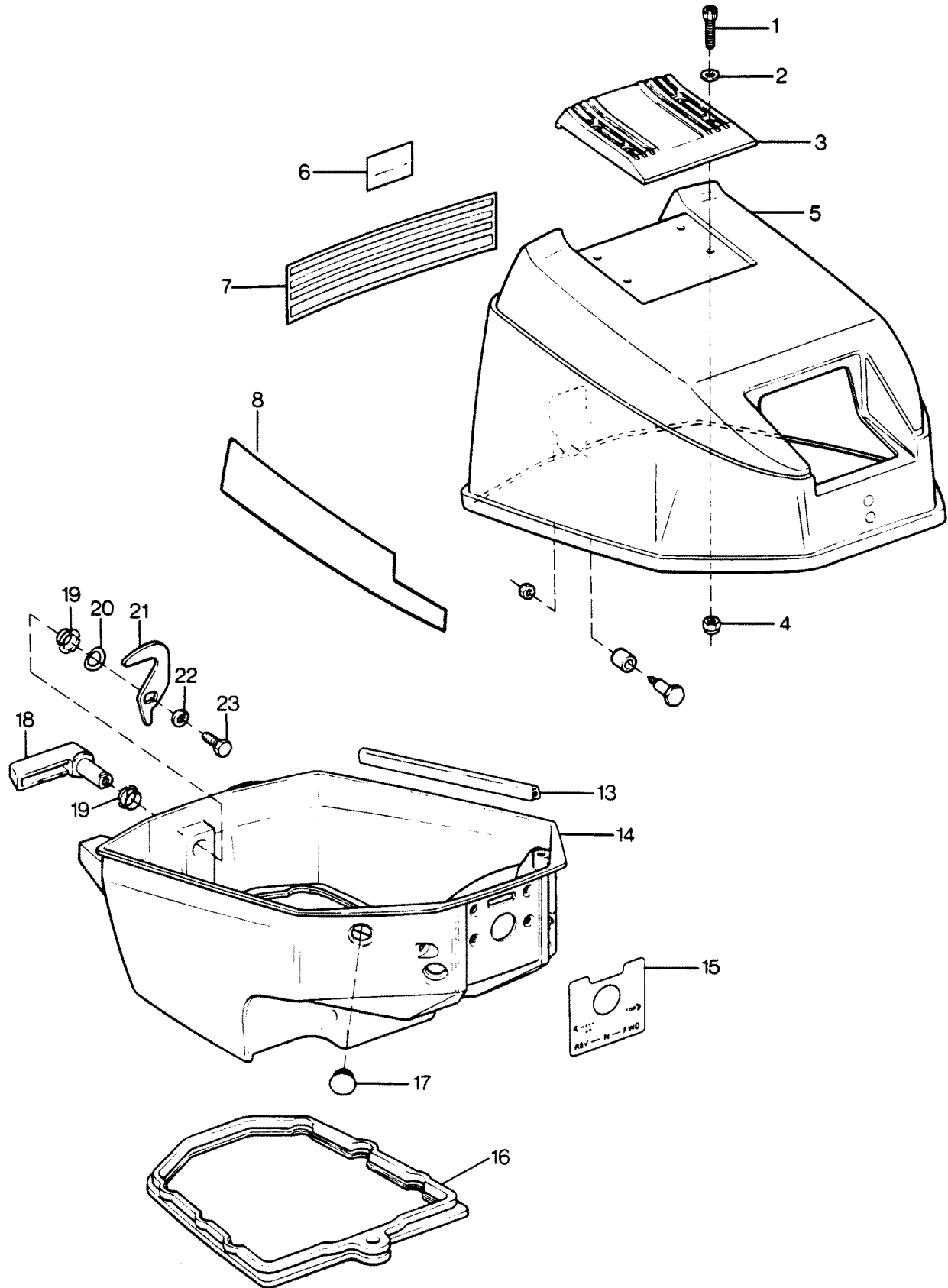
OPT = Optional

NS = Not Shown

THESE PARTS BOOKS/FICHE CARD ARE COPYRIGHTED AND MAY NOT BE DISTRIBUTED OR REPRODUCED IN ANY OTHER FORMAT BY ANYONE OTHER THAN MERCURY MARINE WITHOUT THE PRIOR WRITTEN CONSENT OF MERCURY MARINE.

THIS PAGE INTENTIONALLY LEFT BLANK

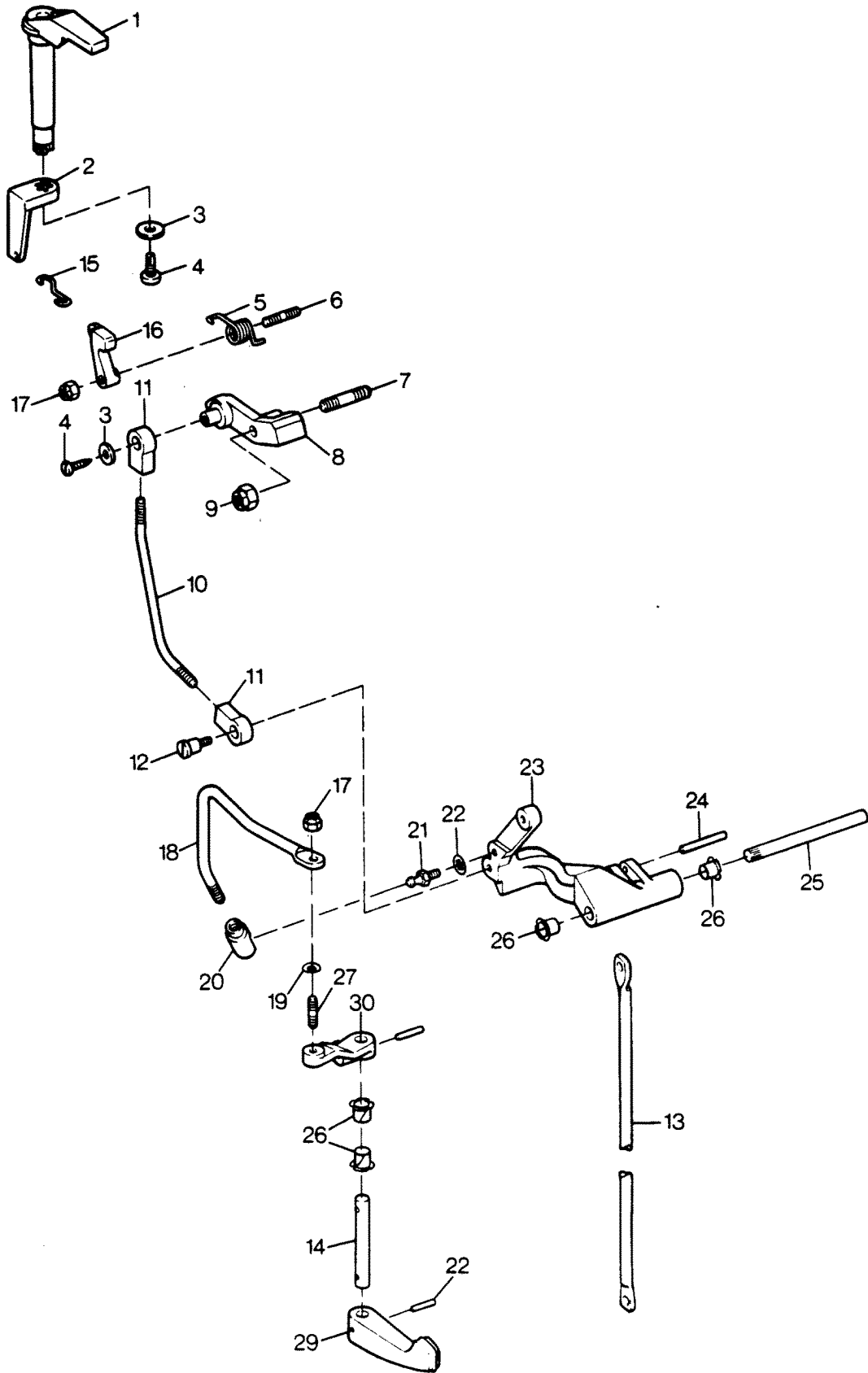
ENGINE COVER AND SUPPORT PLATE



ENGINE COVER AND SUPPORT PLATE

REF. NO.	PART NO.	SYM.	QTY.	DESCRIPTION
1	F2211		4	HEX HEAD CAP SCREW, 10 - 24 X 5/8 S.S.
2	F2042		4	WASHER
3	F703269		1	HANDLE, TILT
4	F7009		4	LOCKNUT, 10 - 24 S.S.
5	FS681712		1	COVER, BASIC (UNPAINTED)
-	F2C703712		0	COVER, COMPLETE (PAINTED W/DECALS)
6	F703350		1	DECAL, START
7	F703528		1	DECAL, REAR
8	F703396		1	DECAL, STARBOARD
-	F703397		1	DECAL, PORT
10	F1832		1	LOCKNUT, 1/4 - 20 S.S.
11	F681759		1	ROLLER, LATCH
12	F681026		1	SCREW, LATCH ROLLER
13	F392756		1	PACKING
14	FA681038		1	SUPPORT PLATE
15	F681711		1	PLATE, FRONT
16	F286989-2		1	SEAL, SUPPORT PLATE
17	F343226-1		2	PLUG
18	FA681469		1	HANDLE, COVER LATCH
19	F307818		2	BEARING
20	F8048		1	BOWED WASHER
21	F481777		1	CAM, LATCH
22	F8083		1	SPRING LOCKWASHER
23	F1854		1	HEX HEAD CAP SCREW, 1/4 - 20 X 5/8

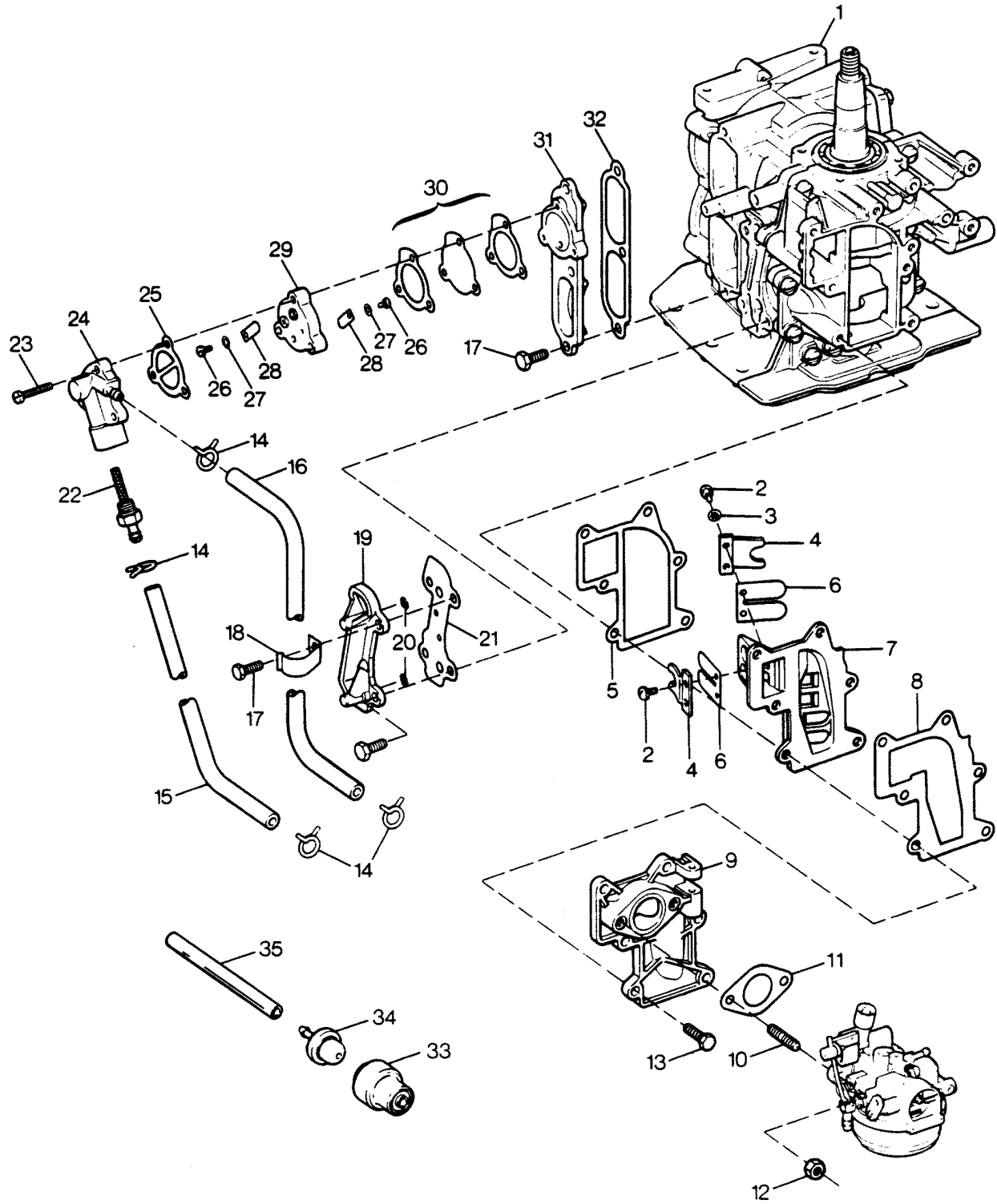
SHIFT LINKAGE



SHIFT LINKAGE

REF. NO.	PART NO.	SYM.	QTY.	DESCRIPTION
1	F681490		1	STOP, STARTER INTERCLOCK
2	F681003		1	ARM, STARTER INTERLOCK
3	F8143		1	WASHER, PLAIN #10
4	F2209		1	PAN HEAD SELF TAPPING SCREW 10 - 16
5	F681424		1	SPRING, INTERLOCK
6	F681134		1	STUD
7	F681008		1	STUD
8	F681997		1	LEVER, NEUTRAL SPEED INTERLOCK
9	F1832		1	LOCKNUT 1/4 - 20
10	F681531		1	ROD, INTERLOCK
11	F84035-2		2	BEARING, CONTROL ROD
12	F84026		1	SCREW, SHOULDER
13	F286615		1	ROD, GEARSHIFT UPPER
14	F492417		1	SHAFT, GEARSHIFT HANDLE
15	F681263		1	LINK, INTERLOCK
16	F681742		1	LEVER, INTERMEDIATE INTERLOCK
17	F1804		2	STOP NUT, 10 - 32
18	F286611-1		1	ROD, GEARSHIFT
19	F8048		1	BOWED SPRING WASHER
20	F286685		1	CONNECTOR, GEARSHIFT ROD
21	F98273		1	STUD, GEARSHIFT ROD CONNECTOR
22	F8058		1	INTERNAL TOOTH LOCKWASHER
23	F286876		1	LEVER, GEARSHIFT
24	F8542		1	SPRING PIN
25	F286871		1	PIN, GEARSHIFT LEVER
26	F307818		4	BEARING
27	F286134		1	STUD, GEARSHIFT LEVER
28	F8540		2	SPRING PIN
29	F286614		1	HANDLE, GEARSHIFT
30	F681619		1	LEVER, SHIFT HANDLE SHAFT

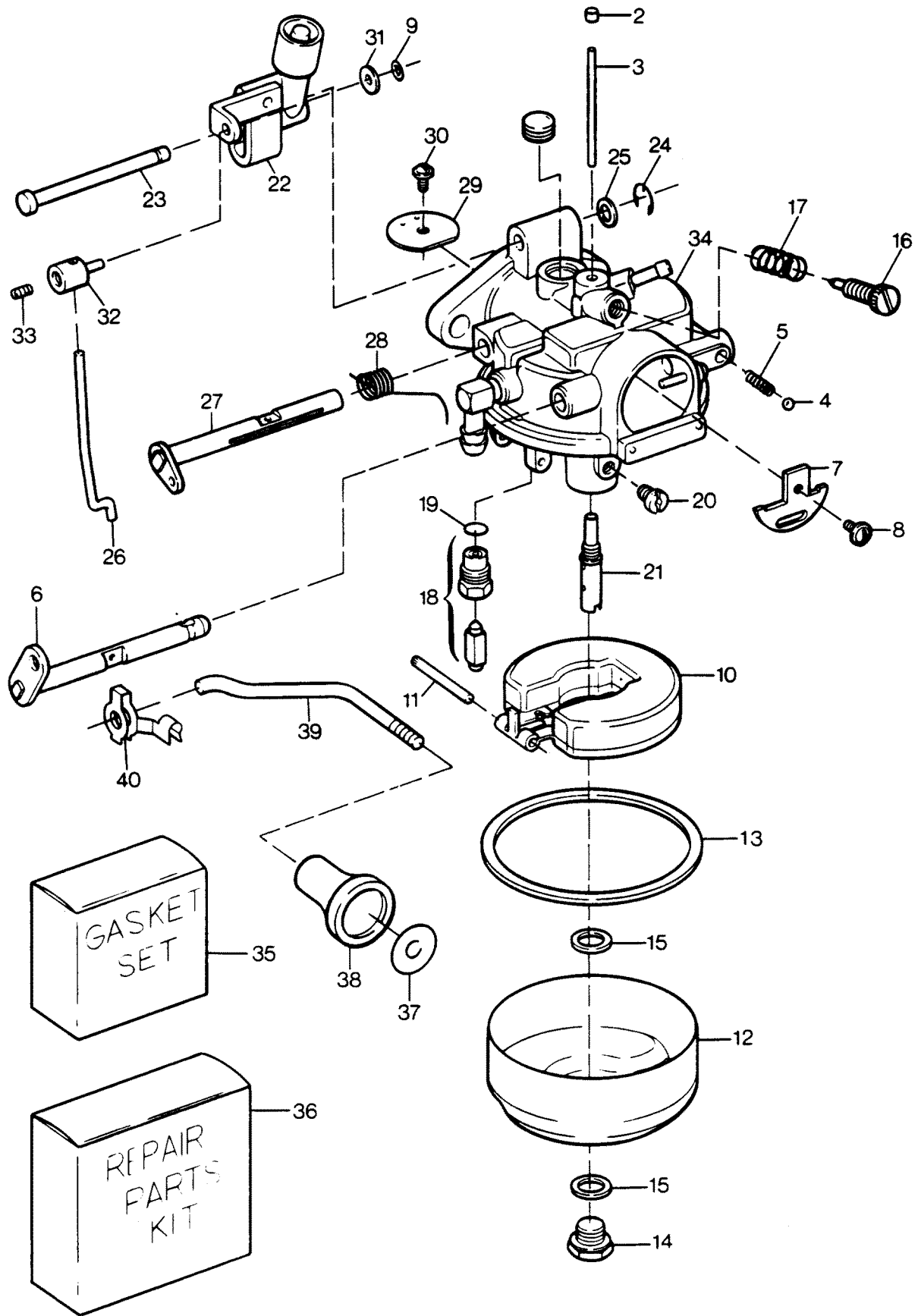
FUEL INTAKE AND RECIRCULATION SYSTEM



FUEL INTAKE AND RECIRCULATION SYSTEM

REF. NO.	PART NO.	SYM.	QTY.	DESCRIPTION
1	FC681010		1	SHORT BLOCK
2	F1755		8	ROUND HEAD SCREW W/LOCKWASHER, 6 - 32 X 5/16
3	F1704		2	LOCKWASHER, #6 S.S.
4	F619161-1		4	REED STOP, 7.5 HP
5	F286159-1		1	GASKET, REED PLATE
6	F31160-1		4	REED
7	FA619158		1	REED PLATE W/REEDS AND REEDS STOPS - 7.5 HP
8	F424168-1		1	GASKET, MANIFOLD
9	FA424167		1	MANIFOLD W/STUDS
10	F2788004		2	STUD, CARBURETOR
11	F18906		1	GASKET, CARBURETOR
12	F1490		2	HEX NUT, 1/4 - 20
13	F2008		6	HEX HEAD SCREW, 1/4 - 20 X 7/8
14	F2706772		4	HOSE CLAMP
15	F40253-1		1	FUEL LINE (SUPPORT PLATE TO FUEL PUMP)
16	F901754		1	FUEL LINE (FUEL PUMP TO CARBURETOR)
17	F1922		7	HEX HEAD SCREW, 1/4 - 20 X 5/8
18	F286772-1		1	CLAMP
19	FA429471		1	COVER, CYLINDER DRAIN WITH CHECK VALVES AND SCREENS
20	F429811		2	SCREEN
21	F429472		1	GASKET, CYLINDER DRAIN COVER
22	F901811		1	FILTER, FUEL
23	F1069		3	HEAD SCREW, 10 - 24 X 1-1/16
24	F901746-2		1	COVER, FUEL PUMP
25	F24748-2		1	GASKET, FUEL PUMP
26	F1286		2	PAN HEAD SCREW, 4 - 40 X 3/16
27	F8003		2	PLAIN WASHER
28	F18160-3		2	REED, FUEL PUMP
29	F2A24757		1	PLATE, FUEL PUMP W/REEDS
30	27-818043A1		1	FUEL PUMP DIAPHRAGM W/GASKETS
31	F286222		1	COVER, TRANSFER PORT
32	F286223		1	GASKET, TRANSFER PORT COVER
33	F681954		1	COVER, PRIME BULB
34	F681046		1	BULB, PRIME
35	F681243		1	HOSE (PRIME BULB TO CARBURETOR)

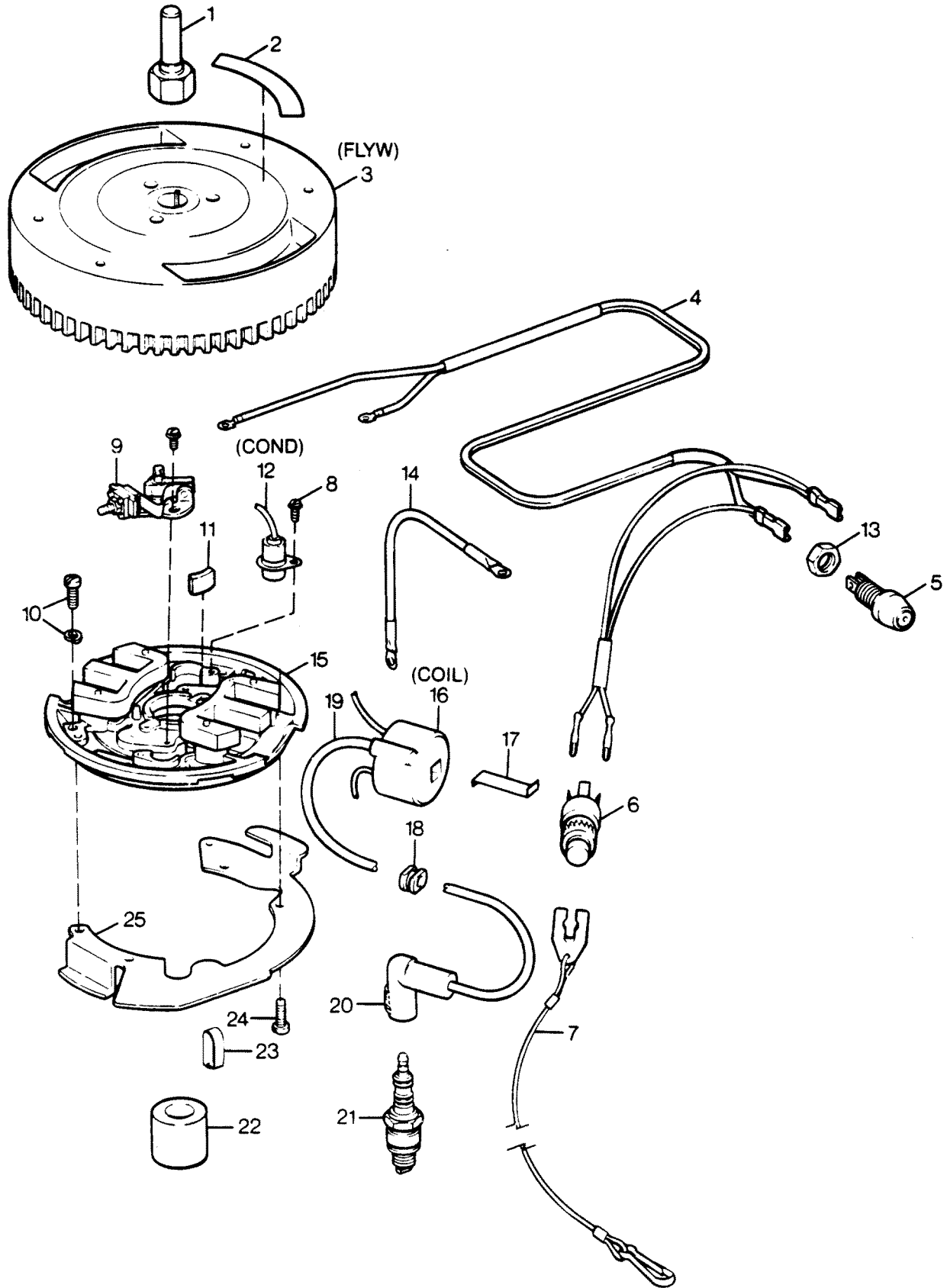
CARBURETOR 7.5 HP



CARBURETOR 7.5 HP

REF. NO.	PART NO.	SYM.	QTY.	DESCRIPTION
1	FO2531		1	PLUG, WELCH
2	FO10588		1	PLUG, CUP
3	F10235		1	TUBE, BY-PASS
4	FO4784		1	BALL, CHOKE FRICTION
5	FO8805		1	SPRING, CHOKE FRICTION
6	FO15736		1	SHAFT, CHOKE
7	F10236		1	SHUTTER, CHOKE
8	FO10280		1	SCREW, CHOKE SHUTTER RETAINING
9	F9030		1	RETAINER
10	FO13554		1	FLOAT
11	FO13944		1	PIN, FLOAT
12	FO15366		1	BOWL, FUEL
13	FO15623		1	GASKET, FUEL BOWL
14	FO13945		1	SCREW, FUEL BOWL RETAINING
15	FO2510		2	GASKET, FUEL BOWL RETAINING SCREW
16	FO15520		1	NEEDLE, IDLE MIXTURE
17	FO11103		1	SPRING, IDLE MIXTURE NEEDLE
18	F10237		1	INLET NEEDLE, SEAT AND GASKET
19	FO10165		1	GASKET, INLET SEAT
20	FO10247		1	JET, MAIN FUEL (.055)
21	F10238		1	NOZZLE, MAIN
22	F10239		1	LINKAGE, THROTTLE
23	F10240		1	SHAFT, THROTTLE LINKAGE
24	F10241		1	"E" RING, THROTTLE LINKAGE SHAFT
25	F10242		1	WASHER, THROTTLE LINKAGE SHAFT
26	F681509		1	LINK, THROTTLE
27	FO15718		1	SHAFT, THROTTLE
28	F10246		1	SPRING, THROTTLE SHAFT RETURN
29	FO16878		1	SHUTTER, THROTTLE
30	FO10280		1	SCREW, THROTTLE SHUTTER RETAINING
31	F8088		1	WASHER
32	F681033		1	SWIVEL
33	F2215		1	HEX SET SCREW, #6 - 32 X 3/16
34	F681061-1		1	CARBURETOR COMPLETE
35	FK10249		1	GASKET SET
36	FK10250		1	REPAIR PARTS KIT

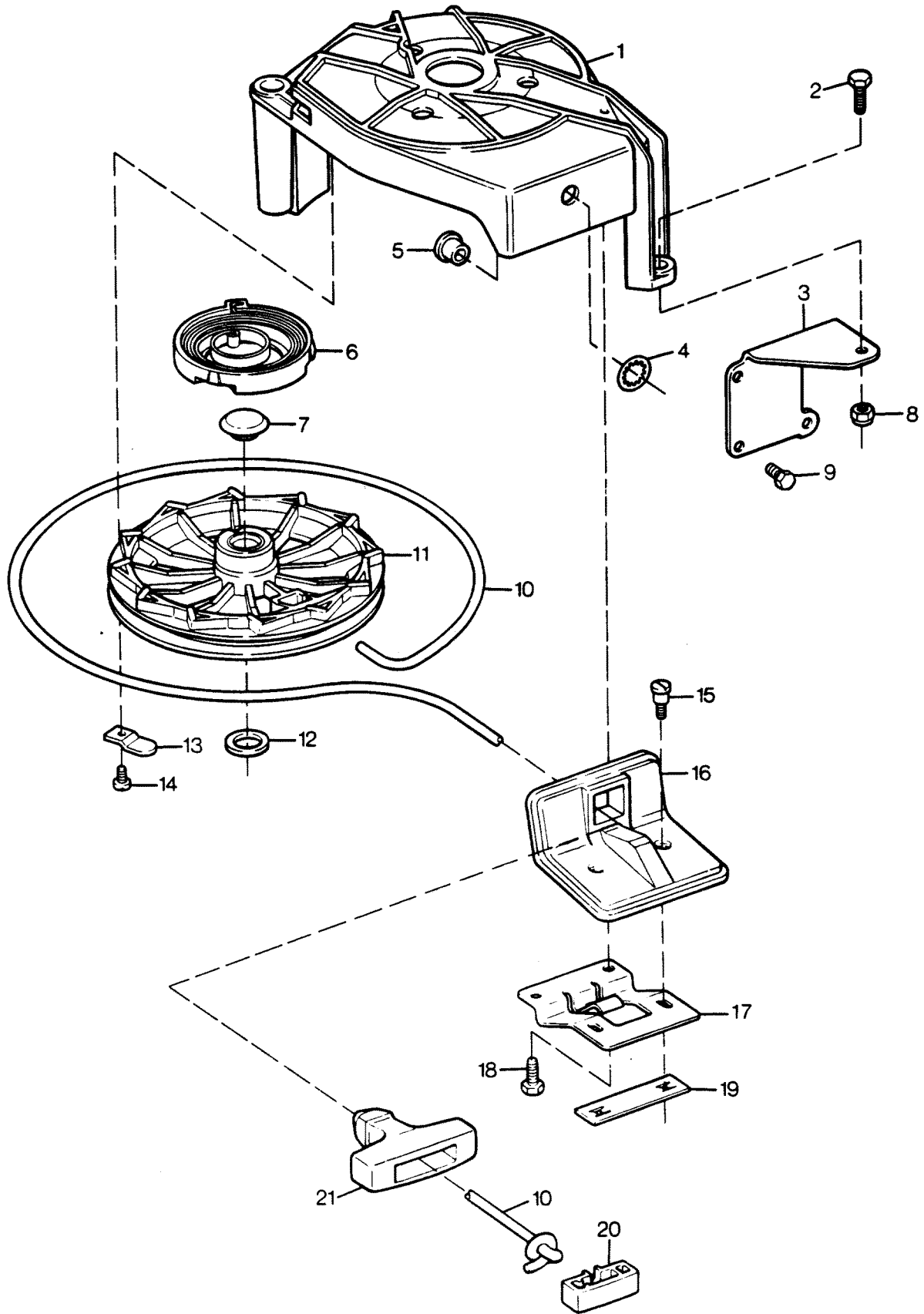
IGNITION SYSTEM



IGNITION SYSTEM

REF. NO.	PART NO.	SYM.	QTY.	DESCRIPTION
1	F681091		1	NUT, FLYWHEEL
2	FA609853		1	DECAL, SHIFT WARNING
3	F681097		1	FLYWHEEL
4	F12376		1	LEAD WIRE, MAGNETO SHORTING
5	87-817952A1		1	SWITCH, STOP W/NUT
6	F681602		1	SWITCH, EMERGENCY STOP
7	F681329		1	LANYARD W/FORK
8	F12170		6	SCREW W/LOCKWASHER
9	F12153-1		2	BREAKER POINT SET
10	F1090		4	HEAD SCREW W/LOCKWASHER, 10 - 24 X 9/16
11	F12360		1	FELT, CAM WIPER
12	F12181-1		2	CONDENSER
13	F436280		1	NUT, SHORTING SWITCH
14	F289664		1	WIRE, STATOR GROUND
15	F12343		1	STATOR, PLATE W/LAMINATIONS
16	FA12370		2	COIL W/LEAD WIRE AND WEDGE SPRING
17	F12146		2	SPRING, COIL WEDGE
18	F12088		2	GROMMET
19	F12141		1	SLEEVE, HIGH TENSION LEAD
20	FK1123		2	SPARKIE W/SPRING
21	33-82370M		2	SPARK PLUG (CHAMPION L-82C)
22	F217002		1	CAM, MAGNETO BREAKER
23	F458498		1	KEY, MAGNETO
24	F1075		4	HEAD SCREW, 10 - 24 X 1/2
25	F617192		1	PLATE, THROTTLE CAM

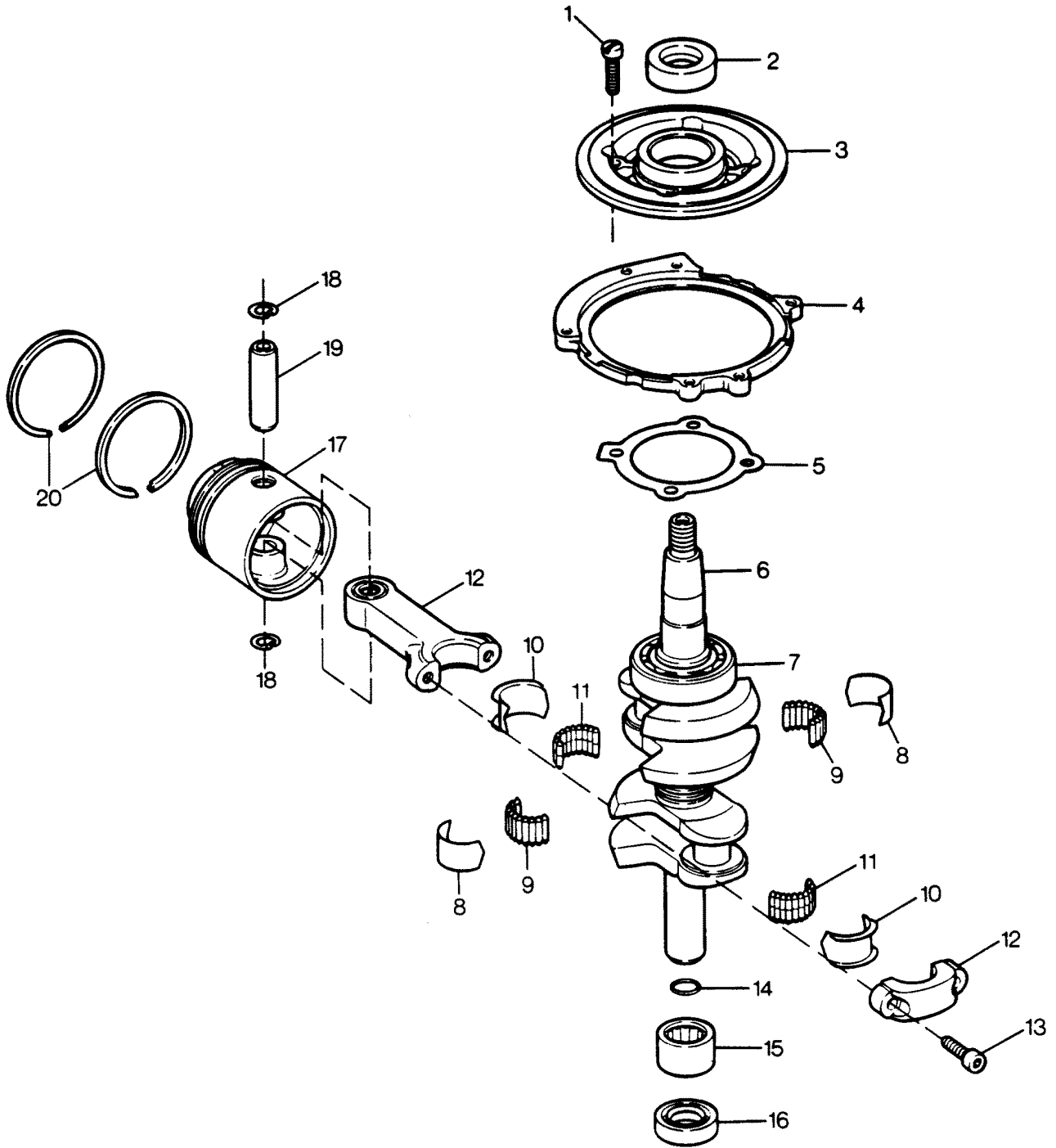
STARTER



STARTER

REF. NO.	PART NO.	SYM.	QTY.	DESCRIPTION
1	F681408		1	HOUSING
2	F1864		3	SCREW, HEX HEAD 1/4 - 20 X 3/4 S.S.
3	F681427		1	BRACKET
4	F681741		1	RING, RETAINING
5	F681428		1	INSERT, STARTER HOUSING ROPE
6	F681970		1	SPRING, STARTER REWIND
7	F681971		1	PLUG
8	F1832		1	LOCKNUT, 1/4 - 20
9	F1075		3	SCREW, FILL. HEAD 10 - 24 X 1/2
10	F681232		1	ROPE
11	FA681239		1	STARTER PULLEY ASSEMBLY W/PLUG AND SEAL
12	F681579		1	SEAL
13	F681592		3	RETAINER, STARTER PULLEY
14	F2209		3	SCREW, PAN HEAD 10 - 16 X 1/2 S.S.
15	F84026		2	SCREW, SHOULDER
16	FA681630		1	SUPPORT, HANDLE
17	F681090		1	PLATE, HANDLE SUPPORT
18	F2210		2	SCREW, PAN HEAD 1/4 - 14 X 1/2 S.S.
19	F681874		1	FASTENER, HANDLE SUPPORT PLATE
20	F681817		1	RETAINER, STARTER ROPE
21	F681132		1	HANDLE, STARTER ROPE

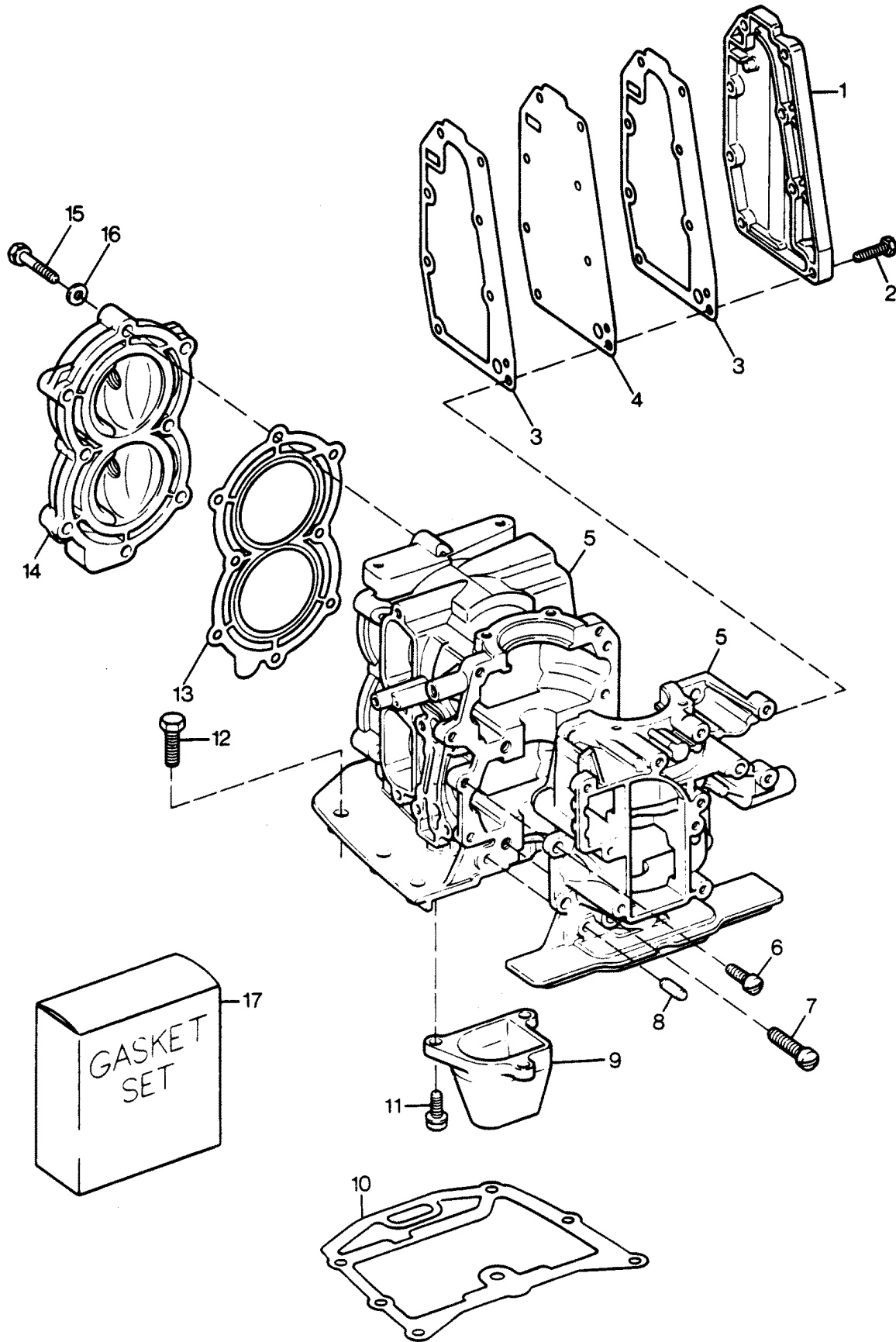
CRANKSHAFT AND PISTON



CRANKSHAFT AND PISTON

REF. NO.	PART NO.	SYM.	QTY.	DESCRIPTION
1	F1111		4	HEAD SCREW, 1/4 - 20 X 7/8
2	F346146		1	SEAL, CRANKSHAFT UPPER
3	1100-817753A1		1	CAGE, CRANKSAFT W/SEAL
4	F73082		1	RING, MAGNETO STATOR
5	F286277		1	GASKET, CRANKSHAFT BEARING CAGE
6	F2A681018		1	CRANKSHAFT W/UPPER MAIN BEARING
7	F286028		1	BEARING, CRANKSHAFT UPPER
8	FA286155		1	CENTER MAIN BEARING LINER SET (2 PER SET)
9	F286571		1	CENTER MAIN BEARING ROLLER SET (26 PER SET)
10	817755A1		2	CONNECTING ROD LINER SET (2 PER SET)
11	FA517228		2	CONNECTING ROD ROLLER SET (2 PER SET)
12	F2A286016		2	ROD, CONNECTING W/CAP AND SCREWS
13	F286634-1		4	SCREW, CONNECTING ROD
14	F461342		1	SEAL, DRIVESHAFT SPLINE
15	F343014		1	BEARING, CRANKSHAFT LOWER MAIN
16	F141118		1	SEAL, CRANKSHAFT LOWER
17	F472015-2		2	PISTON
18	F31410		4	RETAINING RING, PISTON PIN
19	F174017		2	PIN, PISTON
20	FA472260		1	RING SET, PISTON (4 PER SET)

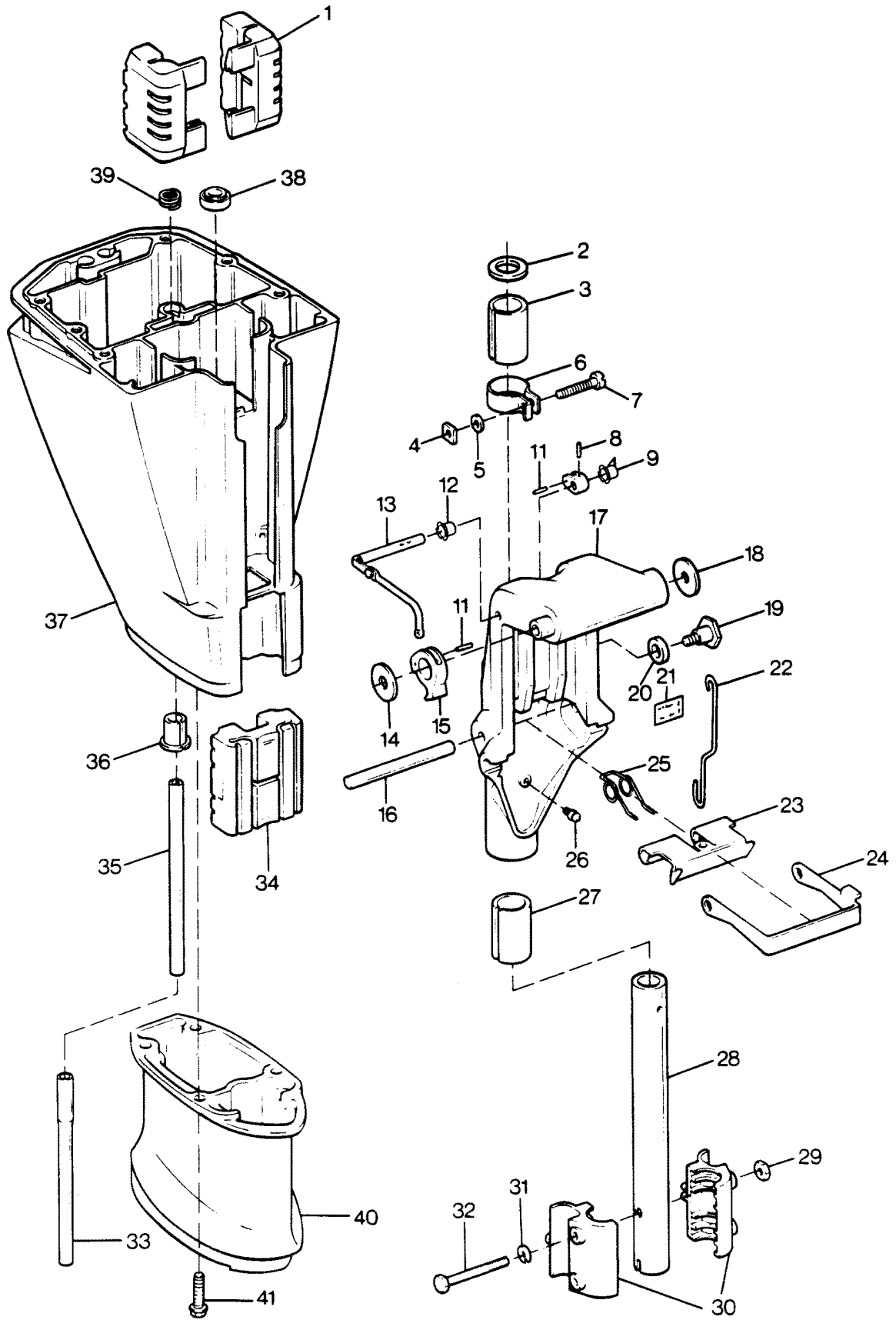
CYLINDER



CYLINDER

REF. NO.	PART NO.	SYM.	QTY.	DESCRIPTION
1	F286152		1	COVER, EXHAUST
2	F2008		8	HEX HEAD SCREW, 1/4 - 20 X 7/8
3	F286154		2	GASKET, EXHAUST COVER
4	F286151		1	PLATE, EXHAUST
5	F3A681010		1	CYLINDER
-	FC681010		1	SHORT BLOCK (CYLINDER WITH CRANKSHAFT, PISTONS AND RODS INSTALLED)
6	F1107		8	HEAD SCREW, 1/4 - 20 X 3/4
7	F1335		4	HEAD SCREW, 5/16 - 18 X 1-1/4
8	F8559		2	DOWELL PIN
9	F487660-1		1	EXHAUST TUBE
10	F286279-2		1	GASKET, CYLINDER MOUNT
11	F2040		3	HEX HEAD MACHINE SCREW, 1/4 - 20 X 5/8 S.S.
12	F1823		6	HEX HEAD CAP SCREW, 5/16 - 18 X 1
13	F286529-3		1	GASKET, CYLINDER HEAD
14	F703518		1	HEAD, CYLINDER
15	F901938-1		8	SCREW, CYLINDER HEAD
16	F8025		8	PLAIN WASHER
17	FG1005-1		1	GASKET SET (INCLUDES ALL GASKETS REQUIRED TO REBUILD POWER HEAD)

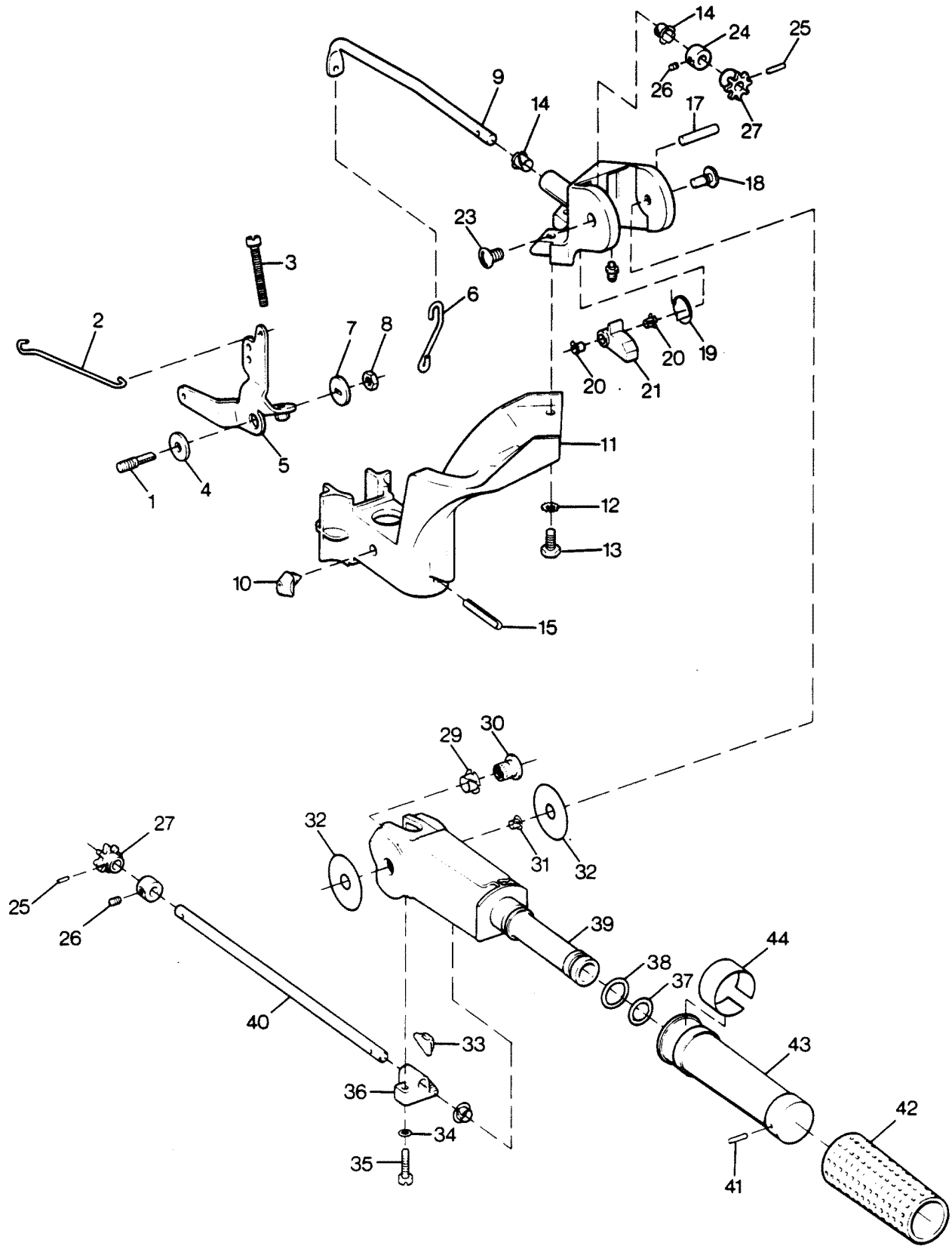
MOTOR LEG AND SWIVEL BRACKET



MOTOR LEG AND SWIVEL BRACKET

REF. NO.	PART NO.	SYM.	QTY.	DESCRIPTION
1	F286347		2	MOUNT, UPPER SHOCK
2	F286011		1	WASHER, SWIVEL BRACKET
3	F286169		1	BEARING, SWIVEL BRACKET
4	F1608		1	SQUARE NUT, 1/4 - 20
5	F1907		1	WASHER
6	F286573-1		1	CLAMP, STEERING FRICTION
7	F1820		1	HEAD SCREW, 1/4 - 20 X 1-3/8
8	F8538		2	SPRING PIN
9	F197813		1	BEARING
10	F286364		1	LEVER, REVERSE LOCK
11	F1794		1	SPRING PIN
12	F536813		1	BEARING
13	FA387742		1	LEVER, REVERSE LOCK INTERMEDIATE
14	F525286		1	WASHER
15	F286827		1	LEVER, REVERSE LOCK
16	F1806		1	GROOVE PIN
17	1400-817750A4		1	BRACKET, SWIVEL W/GREASE FITTING AND LOWER BEARING
18	F286286-1		1	WASHER
19	F286422-1		1	PIVOT, TILT LOCK
20	F286451		1	SPACER, TILT LOCK
21	F676585		1	DECAL, TILT LOCK
22	FA341510		1	LINK, REVERSE LOCK
23	F286349		1	REVERSE LOCK
24	F286433		1	BRACKET, REVERSE LOCK
25	F286300		1	SPRING, REVERSE LOCK
26	F213274		4	FITTING, GREASE
27	F286169		1	BEARING, LOWER SWIVEL BRACKET
28	F286019		1	KINGPIN
29	F1341		2	HEX NUT, 1/4 - 20
30	F286956		2	BRACKET, SHOCK MOUNT LOWER
31	F8083		2	SPRING LOCKWASHER
32	FA1844		2	HEX BOLT W/LOCKWASHER, 1/4 - 20 X 2-3/8 S.S.
33	FS901244		1	EXTENSION, WATER LINE (20 INCH TRANSOM MODELS)
34	F286346		1	MOUNT, LOWER SHOCK
35	F286244		1	LINE, WATER
36	F286914		1	SLEEVE, WATER LINE
37	F2A477133		1	LEG MOTOR
38	F901307-2		1	SEAL, MOTOR LEG
39	F286414		1	SPRING, LEG WATER BRACKET
40	F492845		1	EXTENSION, MOTOR LEG (20 INCH TRANSOM MODELS)
41	F430732		4	SCREW, S.S.

TILLER HANDLE AND THROTTLE LINKAGE

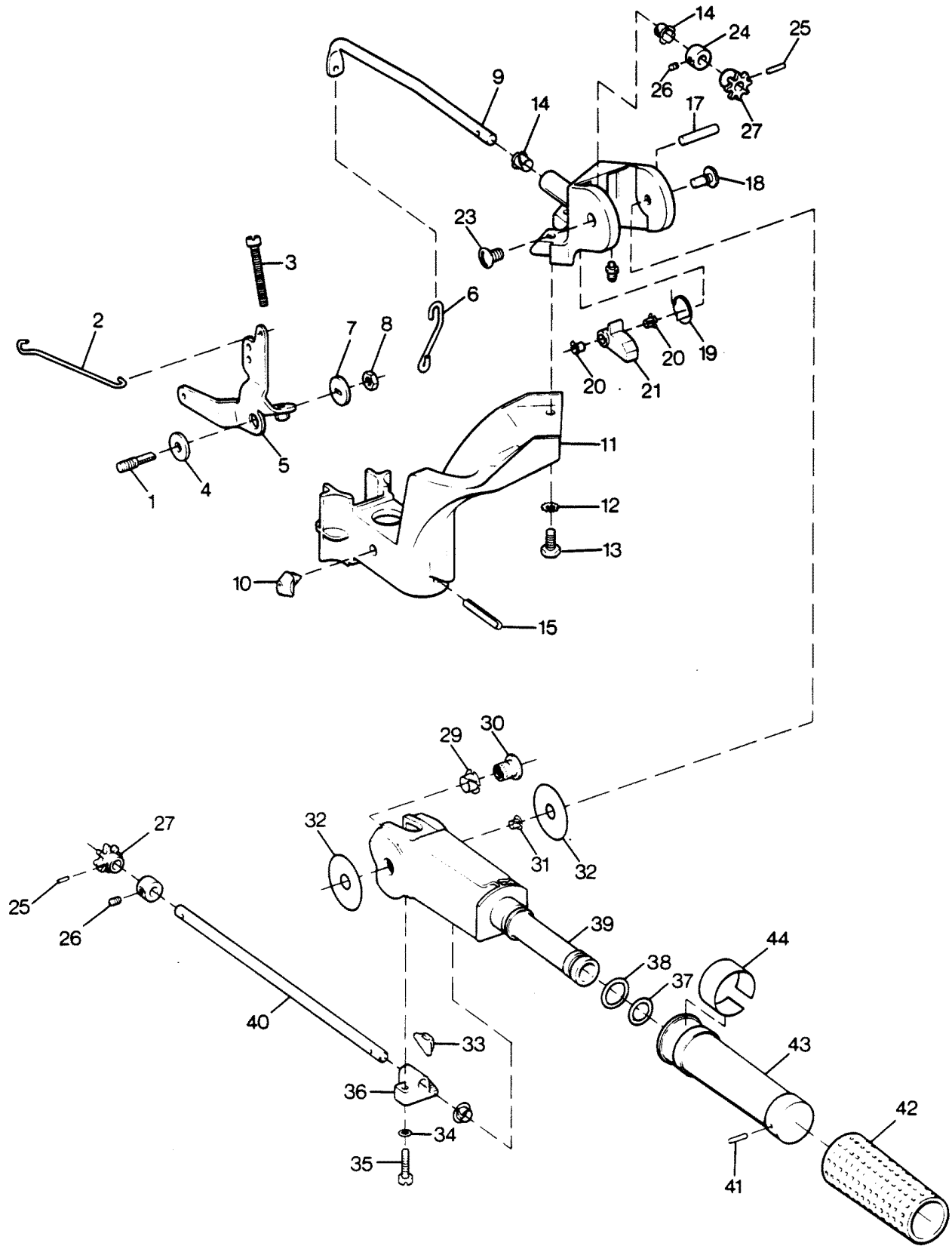


TILLER HANDLE AND THROTTLE LINKAGE

REF. NO.	PART NO.	SYM.	QTY.	DESCRIPTION
1	F286440		1	STUD, MAGNETO CONTROL LEVER
2	F286509		1	LINK, THROTTLE CAM
3	F2126		1	SLOTTED FILL. HEAD SCREW, 1/4 - 28 X 2
4	F183813		1	BEARING, MAGNETO CONTROL LEVER
5	817866A3		1	LEVER, MAGNETO CONTROL
6	F618445		1	LINK, MAGNETO SHAFT
7	F286282		1	WASHER
8	F1803		1	STOP NUT, 5/16 - 24
9	F431838		1	SHAFT, MAGNETO CONTROL
10	F286539		1	BUMPER
11	FA286582		1	ARM, STEERING W/BUMPER AND SPRING PIN
12	F8060		2	EXTERNAL TOOTH LOCKWASHER
13	F1922		2	HEX CAP SCREW, 1/4 - 20
14	F307818		2	BEARING
15	F1805		1	SPRING PIN
16	F213274		1	FITTING, GREASE
17	F1807		1	GROOVE PIN
18	F286080		1	SCREW, STEERING HANDLE PIVOT
19	F286868		1	SPRING, STEERING HANDLE STOP
20	F197813		2	BEARING, STEERING HANDLE STOP
21	F286490		1	STOP, STEERING HANDLE
22	817751A3		1	BRACKET, STEERING HANDLE W/GREASE FITTING
23	F1799		1	TRUSS HEAD SCREW, 5/16 - 18 X 5/8
24	FA343178		2	RETAINER W/SET SCREW
25	F1978		2	SPRING PIN
26	F1859		2	HEX HEADLESS SOCKET SET SCREW
27	43-818009--1		2	GEAR, MAGNETO CONTROL SHAFT
28	F85610		1	BEARING
29	F286818		1	BEARING
30	F286224-1		1	INSERT, STEERING HANDLE PIVOT
31	F197813		1	BEARING
32	F286220		2	WASHER, STEERING HANDLE
33	F341693		1	WEDGE, STEERING HANDLE
34	F8058		2	INTERNAL TOOTH LOCKWASHER
35	F1829		2	HEAD SCREW, 10 - 24 X 7/8
36	F487816		1	BEARING, STEERING HANDLE
37	F215795		1	SEAL (SMALL)
38	F53795-1		1	SEAL (LARGE)
39	F286079-1		1	HANDLE, STEERING

CONTINUED ON NEXT PAGE ➡

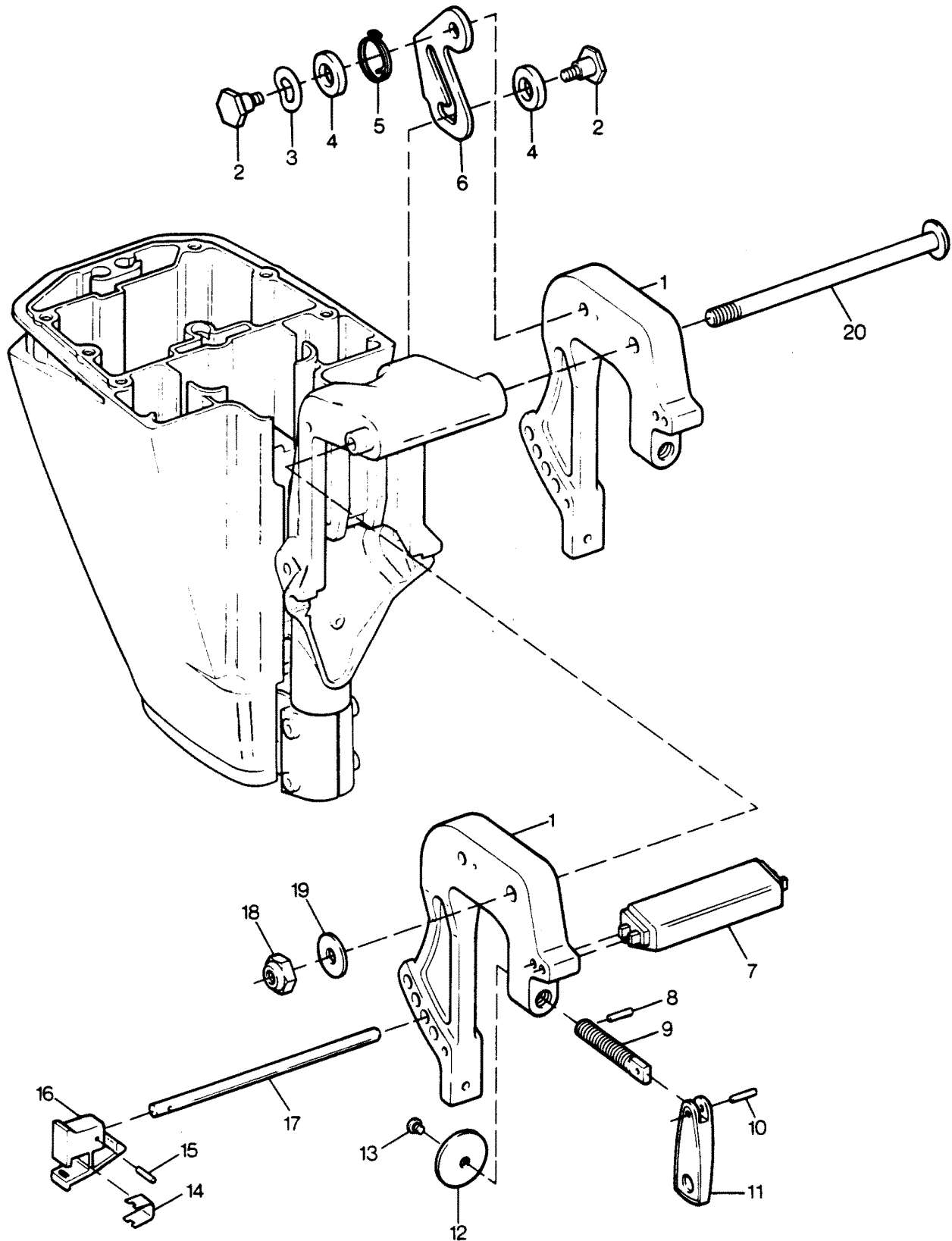
TILLER HANDLE AND THROTTLE LINKAGE



TILLER HANDLE AND THROTTLE LINKAGE

REF. NO.	PART NO.	SYM.	QTY.	DESCRIPTION
40	F429688		1	SHAFT, STEERING HANDLE
41	F8548		1	SPRING PIN
42	F458695		1	SLEEVE
43	FA456137		1	GRIP, STEERING HANDLE W/SLEEVE
44	FC618894		1	INDICATOR, STEERING HANDLE

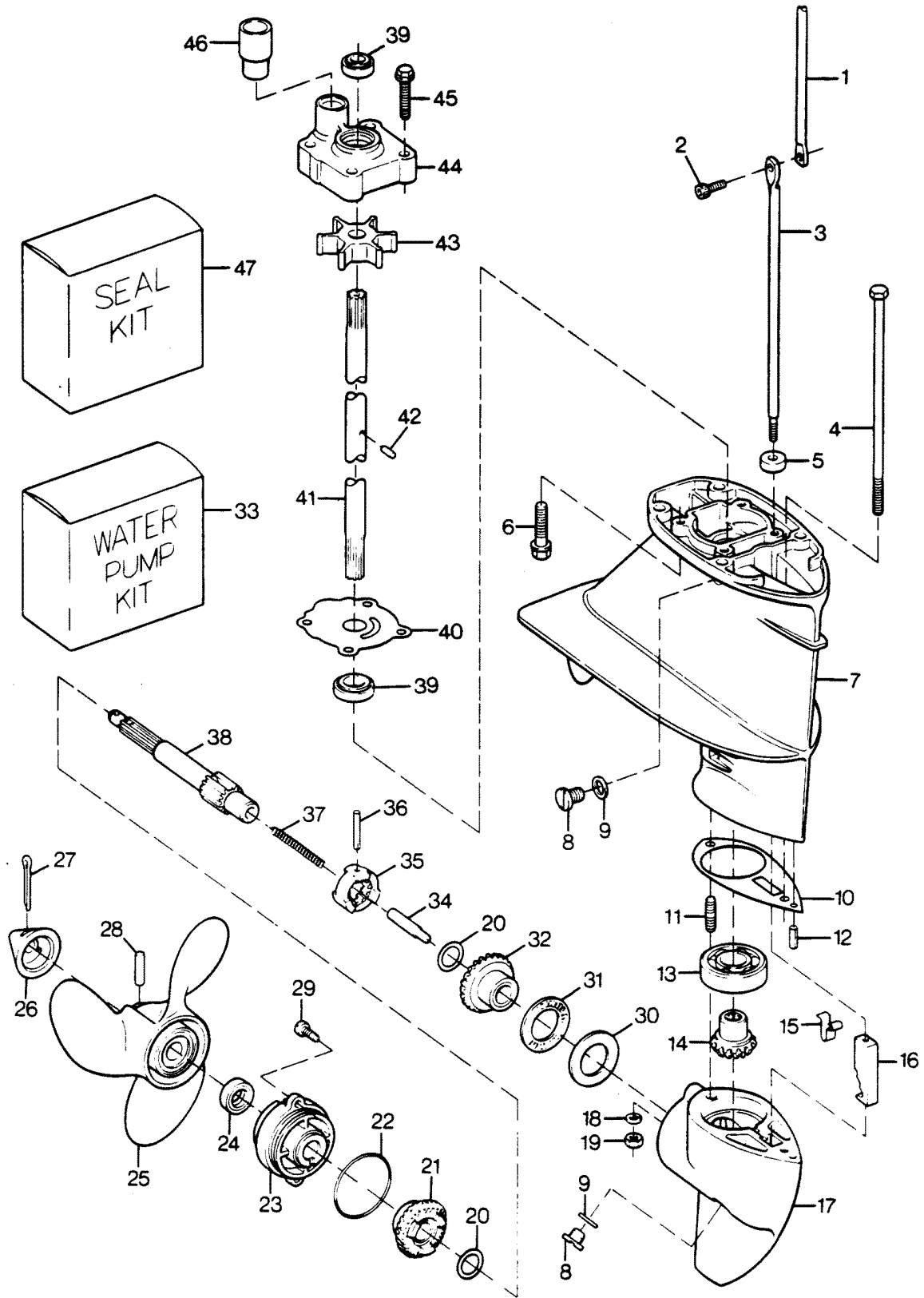
STERN BRACKETS



STERN BRACKETS

REF. NO.	PART NO.	SYM.	QTY.	DESCRIPTION
1	FS617532		2	STERN BRACKET W/CLAMP SCREW
2	F286422-1		2	PIVOT
3	F1666		1	BOWED SPRING WASHER
4	F286451		2	SPACER
5	F286544-1		1	SPRING, TILT STOP
6	F429541		1	LOCK, TITLT
7	F286647		1	HANDLE, CARRYING
8	F8537		2	SPRING PIN
9	817761A2		2	CLAMP SCREW W/HANDLE AND FOOT
10	F8554		2	SPRING PIN
11	F424075		2	HANDLE, CLAMP SCREW
12	F24074		2	FOOT, CLAMP SCREW
13	F66480		2	STUD, CLAMP SCREW
14	F286461		1	SPRING, LOCK BAR HANDLE
15	F8540		1	SPRING PIN
16	F286114		1	HANDLE, LOCK BAR
17	FA617113		1	LOCK BAR W/HANDLE
18	F7026		1	STOP NUT, 3/8 - 16
19	F2014		1	WASHER

GEARHOUSING

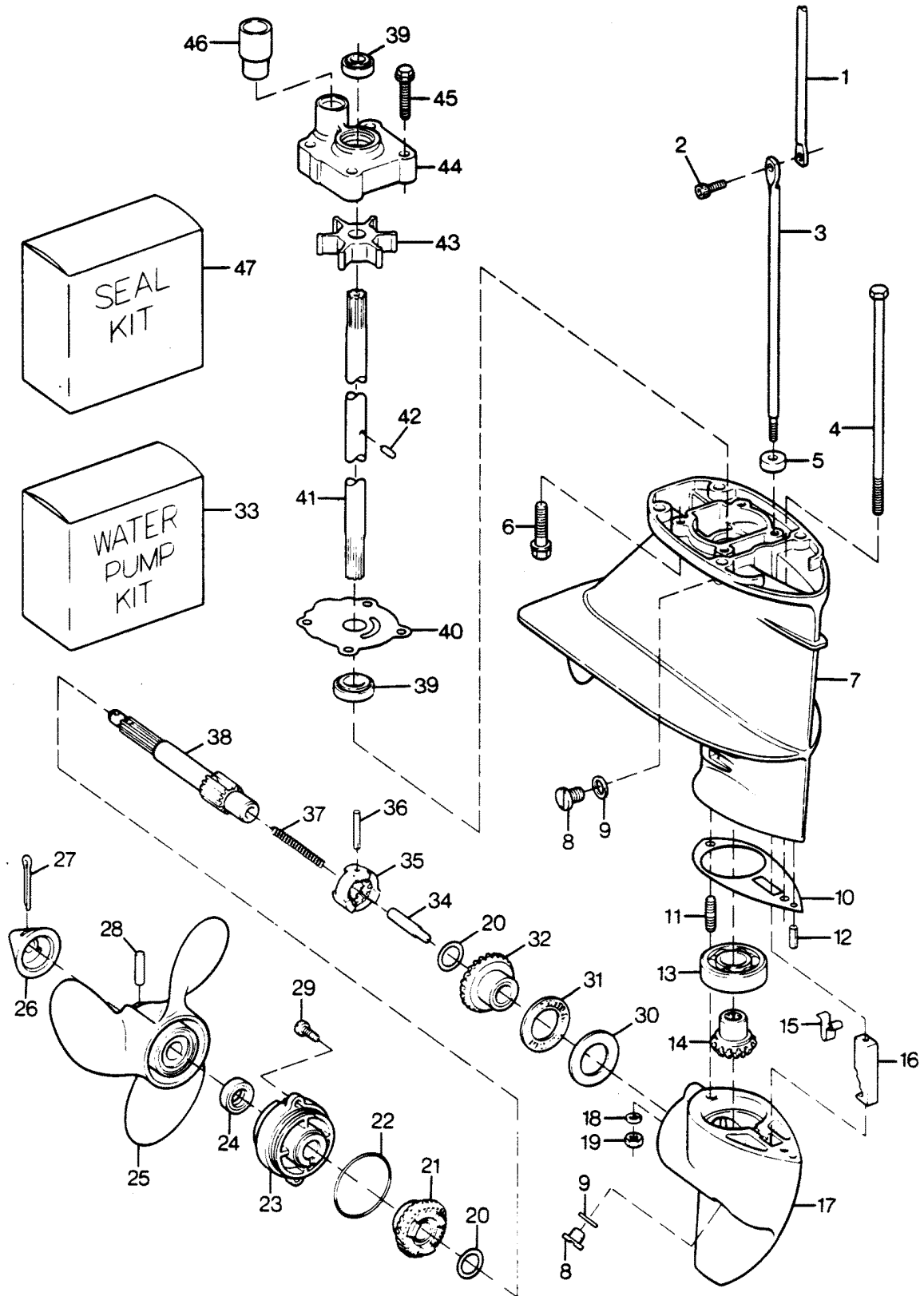


GEARHOUSING

REF. NO.	PART NO.	SYM.	QTY.	DESCRIPTION
1	F286615		1	GEARSHIFT ROD, UPPER
2	F1976		1	SOCKET HEAD CAP SCREW W/LOCKWASHER, 10 - 24 X 1/2
3	F286705-1		1	GEARSHIFT ROD, LOWER (15 INCH TRANSOM MODELS)
-	F330705		1	GEARSHIFT ROD, LOWER (20 INCH TRANSOM MODELS)
4	F1800		1	HEX BOLT, 1/4 - 20 X 7
5	F338618-1		1	SEAL, SHIFT ROD LOWER
6	F430732		4	HEX HEAD SCREW, 1/4 - 20 X 1
7	1600-824916A1		1	GEARHOUSING UPPER W/BEARING, PLUGS AND SEALS
8	F50109		2	PLUG, GEARHOUSING
9	F8077		2	NYLTITE WASHER
10	F286555		1	GASKET, GEARHOUSING
11	F286008		1	STUD, REAR
12	F8553		1	SPRING PIN
13	F127910-2		1	BALL BEARING
14	FA286266		1	GEAR, BEVEL PINION W/BALL BEARING
15	F286895		1	SPRING, CAM DETENT
16	F286721		1	CAM, SHIFT
17	FA286054		1	GEARHOUSING LOWER W/PROP SHAFT BEARING AND PLUG
-	FC456054		1	GEARHOUSING KIT (INCLUDES ALL ITEMS REQUIRED TO BUILD COMPLETE LOWER GEARHOUSING)
18	F8083		1	SPRING LOCKWASHER
19	F1490		1	HEX NUT, 1/4 - 20
20	F456717		2	THRUST WASHER
21	FA456662		1	GEAR, BEVEL REAR W/BEARING
22	F455305		1	SEAL, PROP SHAFT BEARING CAGE
23	31-817756A2		1	CAGE, PROP SHAFT BEARING W/BEARING END SEALS
24	F346118		1	SEAL, PROP SHAFT
25	FP6430		1	PROPELLER, 8 X 8 - 1/4 X 3 - PLASTIC
26	11-817752A1		1	PROPELLER NUT W/COTTER PIN
27	F1846		1	COTTON PIN
28	FA324101		1	PROPELLER PIN, PACK OF 3 W/COTTER PIN
29	F1493		2	HEAD SCREW, 1/4 - 20 X 5/8
30	F286903		1	RACE, PROPELLER SHAFT BEARING
31	F286901		1	BEARING, PROPELLER SHAFT
32	FA456023		1	GEAR, FRONT BEVEL W/BEARING
33	FK1031-1		1	WATER PUMP KIT
34	F286728		1	SHIFT PIN
35	FA456521		1	CLUTCH
36	F8564		1	SPRING PIN
37	F409719		1	SPRING, CLUTCH
38	F456098		1	PROPELLER SHAFT
39	F901307-2		2	SEAL, DRIVESHAFT
40	F341562		1	WATER PUMP BACKPLATE

CONTINUED ON NEXT PAGE ➡

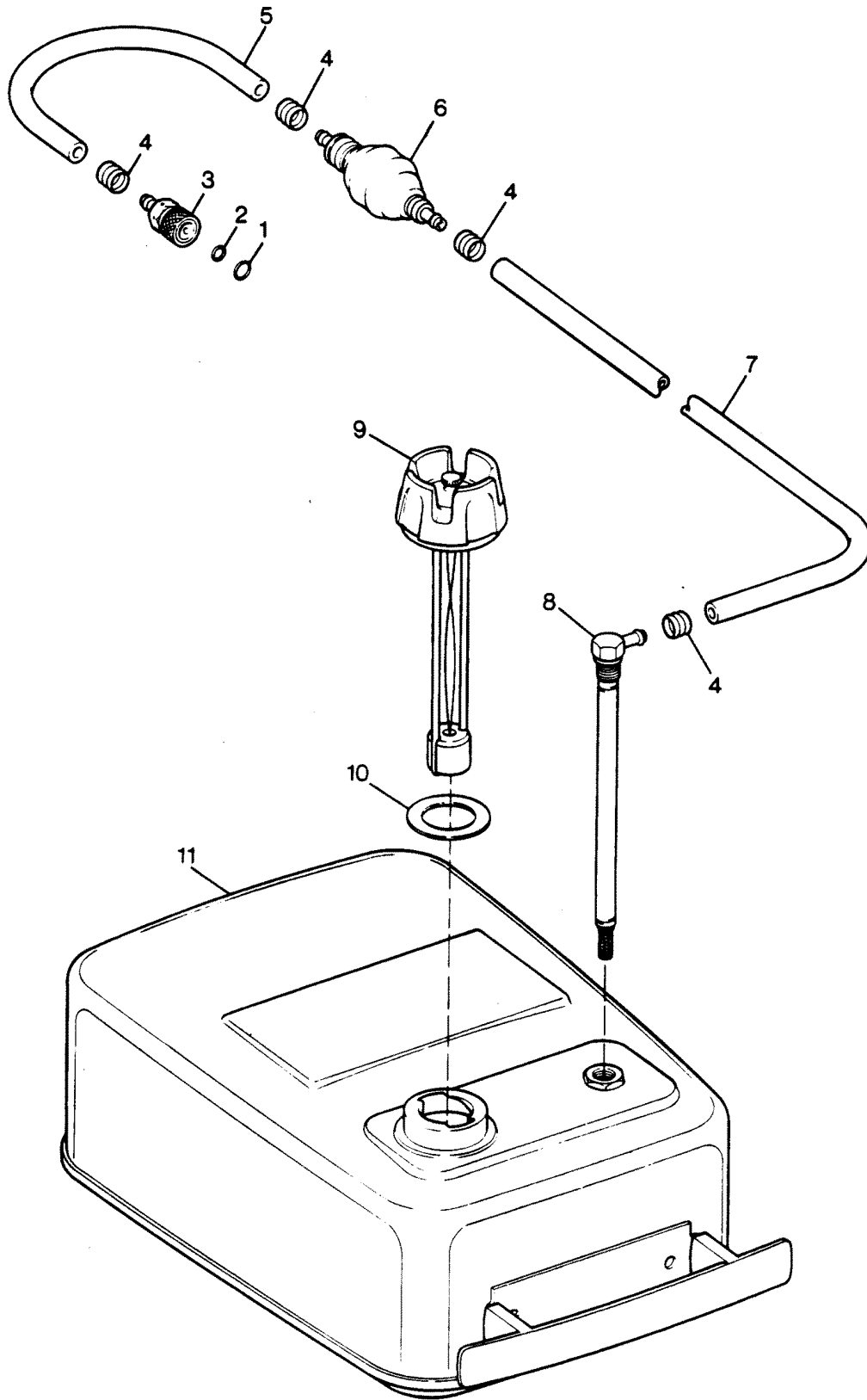
GEARHOUSING



GEARHOUSING

REF. NO.	PART NO.	SYM.	QTY.	DESCRIPTION
41	F343128		1	DRIVESHAFT (15 INCH TRANSOM MODELS)
-	F344128		1	DRIVESHAFT (20 INCH TRANSOM MODELS)
42	F901563		1	PIN, IMPELLER DRIVE
43	F436065-2		1	IMPELLER, WATER PUMP
44	FA504060		1	WATER PUMP BOBY W/DRIVESHAFT SEAL
45	F2030		4	HEX HEAD SCREW, 1/4 - 20 X 1-1/4 S.S.
46	FA510914		1	SEAL, WATER LINE
47	FK1065		1	SEAL KIT

FUEL TANK AND LINE



FUEL TANK AND LINE

REF. NO.	PART NO.	SYM.	QTY.	DESCRIPTION
1	F17816		1	SEAL, FUEL LINE COUPLER
2	F17815		1	SEAL, FUEL LINE COUPLER
3	F197787-3		1	COUPLER, FUEL LINE
4	F298788		4	FERRULE
5	FA84754-1		1	FUEL LINE SHORT W/FERRULES
6	89396A38		1	BULB, PRIME
7	32-817738A1		1	FUEL LINE LONG W/FERRULES
8	F487755		1	ADAPTER, FUEL LINE
9	F409251-1		1	CAP, GAUGE
10	F17818		1	GASKET
11	F5H027-1		1	FUEL TANK COMPLETE W/FUEL LINE
-	FS409752		1	FUEL LINE COMPLETE (NOT SHOWN)
-	F310398		1	DECAL, TOTE TANK - USA (NOT SHOWN)
-	FC311398		1	DECAL, TOTE TANK - CANADA (NOT SHOWN)

PARTS INDEX

Part Number	Description	Pg.	Ref. No.	Part Number	Description	Pg.	Ref. No.
817751A3	BRACKET, STEERING HANDLE W/GREASE FITTING	21	22	F1755	ROUND HEAD SCREW W/LOCKWASHER, 6 - 32 X 5/16	7	2
817755A1	CONNECTING ROD LINER SET (2 PER SET)	15	10	F17815	SEAL, FUEL LINE COUPLER	31	2
817761A2	CLAMP SCREW W/HANDLE AND FOOT	25	9	F17816	SEAL, FUEL LINE COUPLER	31	1
817866A3	LEVER, MAGNETO CONTROL	21	5	F17818	GASKET	31	10
89396A38	BULB, PRIME	31	6	F1794	SPRING PIN	19	11
F10235	TUBE, BY-PASS	9	3	F1799	TRUSS HEAD SCREW, 5/16 - 18 X 5/8	21	23
F10236	SHUTTER, CHOKE	9	7	F1800	HEX BOLT, 1/4 - 20 X 7	27	4
F10237	INLET NEEDLE, SEAT AND GASKET	9	18	F1803	STOP NUT, 5/16 - 24	21	8
F10238	NOZZLE, MAIN	9	21	F1804	STOP NUT, 10 - 32	5	17
F10239	LINKAGE, THROTTLE	9	22	F1805	SPRING PIN	21	15
F10240	SHAFT, THROTTLE LINKAGE	9	23	F1806	GROOVE PIN	19	16
F10241	"E" RING, THROTTLE LINKAGE SHAFT	9	24	F1807	GROOVE PIN	21	17
F10242	WASHER, THROTTLE LINKAGE SHAFT	9	25	F18160-3	REED, FUEL PUMP	7	28
F10246	SPRING, THROTTLE SHAFT RETURN	9	28	F1820	HEAD SCREW, 1/4 - 20 X 1-3/8	19	7
F1069	HEAD SCREW, 10 - 24 X 1-1/16	7	23	F1823	HEX HEAD CAP SCREW, 5/16 - 18 X 1	17	12
F1075	HEAD SCREW, 10 - 24 X 1/2	11	24	F1829	HEAD SCREW, 10 - 24 X 7/8	21	35
F1075	SCREW, FILL. HEAD 10 - 24 X 1/2	13	9	F1832	LOCKNUT 1/4 - 20	5	9
F1090	HEAD SCREW W/LOCKWASHER, 10 - 24 X 9/16	11	10	F1832	LOCKNUT, 1/4 - 20	13	8
F1107	HEAD SCREW, 1/4 - 20 X 3/4	17	6	F1832	LOCKNUT, 1/4 - 20 S.S.	3	10
F1111	HEAD SCREW, 1/4 - 20 X 7/8	15	1	F183813	BEARING, MAGNETO CONTROL LEVER	21	4
F12088	GROMMET	11	18	F1846	COTTON PIN	27	27
F12141	SLEEVE, HIGH TENSION LEAD	11	19	F1854	HEX HEAD CAP SCREW, 1/4 - 20 X 5/8	3	23
F12146	SPRING, COIL WEDGE	11	17	F1859	HEX HEADLESS SOCKET SET SCREW	21	26
F12153-1	BREAKER POINT SET	11	9	F1864	SCREW, HEX HEAD 1/4 - 20 X 3/4 S.S.	13	2
F12170	SCREW W/LOCKWASHER	11	8	F18906	GASKET, CARBURETOR	7	11
F12181-1	CONDENSER	11	12	F1907	WASHER	19	5
F12343	STATOR, PLATE W/LAMINATIONS	11	15	F1922	HEX CAP SCREW, 1/4 - 20	21	13
F12360	FELT, CAM WIPER	11	11	F1922	HEX HEAD SCREW, 1/4 - 20 X 5/8	7	17
F12376	LEAD WIRE, MAGNETO SHORTING	11	4	F1976	SOCKET HEAD CAP SCREW W/LOCKWASHER, 10 - 24 X 1/2	27	2
F127910-2	BALL BEARING	27	13	F197787-3	COUPLER, FUEL LINE	31	3
F1286	PAN HEAD SCREW, 4 - 40 X 3/16	7	26	F1978	SPRING PIN	21	25
F1335	HEAD SCREW, 5/16 - 18 X 1-1/4	17	7	F197813	BEARING	19	9
F1341	HEX NUT, 1/4 - 20	19	29	F197813	BEARING	21	31
F141118	SEAL, CRANKSHAFT LOWER	15	16	F197813	BEARING, STEERING HANDLE STOP	21	20
F1490	HEX NUT, 1/4 - 20	7	12	F2008	HEX HEAD SCREW, 1/4 - 20 X 7/8	7	13
F1490	HEX NUT, 1/4 - 20	27	19	F2008	HEX HEAD SCREW, 1/4 - 20 X 7/8	17	2
F1493	HEAD SCREW, 1/4 - 20 X 5/8	27	29	F2014	WASHER	25	19
F1608	SQUARE NUT, 1/4 - 20	19	4	F2030	HEX HEAD SCREW, 1/4 - 20 X 1-1/4 S.S.	29	45
F1666	BOWED SPRING WASHER	25	3	F2040	HEX HEAD MACHINE SCREW, 1/4 - 20 X 5/8 S.S.	17	11
F1704	LOCKWASHER, #6 S.S.	7	3	F2042	WASHER	3	2
F174017	PIN, PISTON	15	19	F2126	SLOTTED FILL. HEAD SCREW, 1/4 - 28 X 2	21	3
				F213274	FITTING, GREASE	19	26

PARTS INDEX

Part Number	Description	Pg.	Ref. No.	Part Number	Description	Pg.	Ref. No.
F213274	FITTING, GREASE	21	16	F286451	SPACER	25	4
F215795	SEAL (SMALL)	21	37	F286451	SPACER, TILT LOCK	19	20
F217002	CAM, MAGNETO BREAKER	11	22	F286461	SPRING, LOCK BAR		
F2209	PAN HEAD SELF TAPPING				HANDLE	25	14
	SCREW 10 - 16	5	4	F286490	STOP, STEERING HANDLE	21	21
F2209	SCREW, PAN HEAD 10 - 16			F286509	LINK, THROTTLE CAM	21	2
	X 1/2 S.S.	13	14	F286529-3	GASKET, CYLINDER HEAD	17	13
F2210	SCREW, PAN HEAD 1/4 - 14			F286539	BUMPER	21	10
	X 1/2 S.S.	13	18	F286544-1	SPRING, TILT STOP	25	5
F2211	HEX HEAD CAP SCREW, 10			F286555	GASKET, GEARHOUSING	27	10
	- 24 X 5/8 S.S.	3	1	F286571	CENTER MAIN BEARING		
F2215	HEX SET SCREW, #6 - 32 X				ROLLER SET (26 PER		
	3/16	9	33		SET)	15	9
F24074	FOOT, CLAMP SCREW	25	12	F286573-1	CLAMP, STEERING		
F24748-2	GASKET, FUEL PUMP	7	25		FRICITION	19	6
F2706772	HOSE CLAMP	7	14	F286611-1	ROD, GEARSHIFT	5	18
F2788004	STUD, CARBURETOR	7	10	F286614	HANDLE, GEARSHIFT	5	29
F286008	STUD, REAR	27	11	F286615	GEARSHIFT ROD, UPPER	27	1
F286011	WASHER, SWIVEL BRACKET	19	2	F286615	ROD, GEARSHIFT UPPER	5	13
F286019	KINGPIN	19	28	F286634-1	SCREW, CONNECTING ROD	15	13
F286028	BEARING, CRANKSHAFT			F286647	HANDLE, CARRYING	25	7
	UPPER	15	7	F286685	CONNECTOR, GEARSHIFT		
F286079-1	HANDLE, STEERING	21	39		ROD	5	20
F286080	SCREW, STEERING HANDLE			F286705-1	GEARSHIFT ROD, LOWER		
	PIVOT	21	18		(15 INCH TRANSOM		
F286114	HANDLE, LOCK BAR	25	16		MODELS)	27	3
F286134	STUD, GEARSHIFT LEVER	5	27	F286721	CAM, SHIFT	27	16
F286151	PLATE, EXHAUST	17	4	F286728	SHIFT PIN	27	34
F286152	COVER, EXHAUST	17	1	F286772-1	CLAMP	7	18
F286154	GASKET, EXHAUST COVER	17	3	F286818	BEARING	21	29
F286159-1	GASKET, REED PLATE	7	5	F286827	LEVER, REVERSE LOCK	19	15
F286169	BEARING, LOWER SWIVEL			F286868	SPRING, STEERING		
	BRACKET	19	27		HANDLE STOP	21	19
F286169	BEARING, SWIVEL			F286871	PIN, GEARSHIFT LEVER	5	25
	BRACKET	19	3	F286876	LEVER, GEARSHIFT	5	23
F286220	WASHER, STEERING			F286895	SPRING, CAM DETENT	27	15
	HANDLE	21	32	F286901	BEARING, PROPELLER		
F286222	COVER, TRANSFER PORT	7	31		SHAFT	27	31
F286223	GASKET, TRANSFER PORT			F286903	RACE, PROPELLER SHAFT		
	COVER	7	32		BEARING	27	30
F286224-1	INSERT, STEERING HANDLE			F286914	SLEEVE, WATER LINE	19	36
	PIVOT	21	30	F286956	BRACKET, SHOCK MOUNT		
F286244	LINE, WATER	19	35		LOWER	19	30
F286277	GASKET, CRANKSHAFT			F286989-2	SEAL, SUPPORT PLATE	3	16
	BEARING CAGE	15	5	F289664	WIRE, STATOR GROUND	11	14
F286279-2	GASKET, CYLINDER MOUNT	17	10	F298788	FERRULE	31	4
F286282	WASHER	21	7	F2A24757	PLATE, FUEL PUMP		
F286286-1	WASHER	19	18		W/REEDS	7	29
F286300	SPRING, REVERSE LOCK	19	25	F2A286016	ROD, CONNECTING W/CAP		
F286346	MOUNT, LOWER SHOCK	19	34		AND SCREWS	15	12
F286347	MOUNT, UPPER SHOCK	19	1	F2A477133	LEG MOTOR	19	37
F286349	REVERSE LOCK	19	23	F2A681018	CRANKSHAFT W/UPPER		
F286364	LEVER, REVERSE LOCK	19	10		MAIN BEARING	15	6
F286414	SPRING, LEG WATER			F2C703712	COVER, COMPLETE		
	BRACKET	19	39		(PAINTED W/DECALS)	3	-
F286422-1	PIVOT	25	2	F307818	BEARING	3	19
F286422-1	PIVOT, TILT LOCK	19	19	F307818	BEARING	5	26
F286433	BRACKET, REVERSE LOCK	19	24	F307818	BEARING	21	14
F286440	STUD, MAGNETO CONTROL			F310398	DECAL, TOTE TANK - USA		
	LEVER	21	1		(NOT SHOWN)	31	-

PARTS INDEX

Part Number	Description	Pg.	Ref. No.	Part Number	Description	Pg.	Ref. No.
F31160-1	REED	7	6	F5H027-1	FUEL TANK COMPLETE		
F31410	RETAINING RING, PISTON PIN	15	18		W/FUEL LINE	31	11
F330705	GEARSHIFT ROD, LOWER (20 INCH TRANSOM MODELS)	27	-	F617192	PLATE, THROTTLE CAM	11	25
F338618-1	SEAL, SHIFT ROD LOWER	27	5	F618445	LINK, MAGNETO SHAFT	21	6
F341562	WATER PUMP BACKPLATE	27	40	F619161-1	REED STOP, 7.5 HP	7	4
F341693	WEDGE, STEERING HANDLE	21	33	F66480	STUD, CLAMP SCREW	25	13
F343014	BEARING, CRANKSHAFT LOWER MAIN	15	15	F676585	DECAL, TILT LOCK	19	21
F343128	DRIVESHAFT (15 INCH TRANSOM MODELS)	29	41	F681003	ARM, STARTER INTERLOCK	5	2
F343226-1	PLUG	3	17	F681008	STUD	5	7
F344128	DRIVESHAFT (20 INCH TRANSOM MODELS)	29	-	F681026	SCREW, LATCH ROLLER	3	12
F346118	SEAL, PROP SHAFT	27	24	F681033	SWIVEL	9	32
F346146	SEAL, CRANKSHAFT UPPER	15	2	F681046	BULB, PRIME	7	34
F392756	PACKING	3	13	F681061-1	CARBURETOR COMPLETE	9	34
F3A681010	CYLINDER	17	5	F681090	PLATE, HANDLE SUPPORT	13	17
F40253-1	FUEL LINE (SUPPORT PLATE TO FUEL PUMP)	7	15	F681091	NUT, FLYWHEEL	11	1
F409251-1	CAP, GAUGE	31	9	F681097	FLYWHEEL	11	3
F409719	SPRING, CLUTCH	27	37	F681132	HANDLE, STARTER ROPE	13	21
F424075	HANDLE, CLAMP SCREW	25	11	F681134	STUD	5	6
F424168-1	GASKET, MANIFOLD	7	8	F681232	ROPE	13	10
F429472	GASKET, CYLINDER DRAIN COVER	7	21	F681243	HOSE (PRIME BULB TO CARBURETOR)	7	35
F429541	LOCK, TITLT	25	6	F681263	LINK, INTERLOCK	5	15
F429688	SHAFT, STEERING HANDLE	23	40	F681329	LANYARD W/FORK	11	7
F429811	SCREEN	7	20	F681408	HOUSING	13	1
F430732	HEX HEAD SCREW, 1/4 - 20 X 1	27	6	F681424	SPRING, INTERLOCK	5	5
F430732	SCREW, S.S.	19	41	F681427	BRACKET	13	3
F431838	SHAFT, MAGNETO CONTROL	21	9	F681428	INSERT, STARTER HOUSING ROPE	13	5
F436065-2	IMPELLER, WATER PUMP	29	43	F681490	STOP, STARTER INTERCLOCK	5	1
F436280	NUT, SHORTING SWITCH	11	13	F681509	LINK, THROTTLE	9	26
F455305	SEAL, PROP SHAFT BEARING CAGE	27	22	F681531	ROD, INTERLOCK	5	10
F456098	PROPELLER SHAFT	27	38	F681579	SEAL	13	12
F456717	THRUST WASHER	27	20	F681592	RETAINER, STARTER PULLEY	13	13
F458498	KEY, MAGNETO	11	23	F681602	SWITCH, EMERGENCY STOP	11	6
F458695	SLEEVE	23	42	F681619	LEVER, SHIFT HANDLE SHAFT	5	30
F461342	SEAL, DRIVESHAFT SPLINE	15	14	F681711	PLATE, FRONT	3	15
F472015-2	PISTON	15	17	F681741	RING, RETAINING	13	4
F481777	CAM, LATCH	3	21	F681742	LEVER, INTERMEDIATE INTERLOCK	5	16
F487660-1	EXHAUST TUBE	17	9	F681759	ROLLER, LATCH	3	11
F487755	ADAPTER, FUEL LINE	31	8	F681817	RETAINER, STARTER ROPE	13	20
F487816	BEARING, STEERING HANDLE	21	36	F681874	FASTENER, HANDLE SUPPORT PLATE	13	19
F492417	SHAFT, GEARSHIFT HANDLE	5	14	F681954	COVER, PRIME BULB	7	33
F492845	EXTENSION, MOTOR LEG (20 INCH TRANSOM MODELS)	19	40	F681970	SPRING, STARTER REWIND	13	6
F50109	PLUG, GEARHOUSING	27	8	F681971	PLUG	13	7
F525286	WASHER	19	14	F681997	LEVER, NEUTRAL SPEED INTERLOCK	5	8
F536813	BEARING	19	12	F7009	LOCKNUT, 10 - 24 S.S.	3	4
F53795-1	SEAL (LARGE)	21	38	F7026	STOP NUT, 3/8 - 16	25	18
				F703269	HANDLE, TILT	3	3
				F703350	DECAL, START	3	6
				F703396	DECAL, STARBOARD	3	8
				F703397	DECAL, PORT	3	-
				F703518	HEAD, CYLINDER	17	14
				F703528	DECAL, REAR	3	7

PARTS INDEX

Part Number	Description	Pg.	Ref. No.	Part Number	Description	Pg.	Ref. No.
F73082	RING, MAGNETO STATOR	15	4	FA387742	LEVER, REVERSE LOCK		
F8003	PLAIN WASHER	7	27		INTERMEDIATE	19	13
F8025	PLAIN WASHER	17	16	FA424167	MANIFOLD W/STUDS	7	9
F8048	BOWED SPRING WASHER	5	19	FA429471	COVER, CYLINDER DRAIN		
F8048	BOWED WASHER	3	20		WITH CHECK VALVES		
F8058	INTERNAL TOOTH				AND SCREENS	7	19
	LOCKWASHER	5	22	FA456023	GEAR, FRONT BEVEL		
F8058	INTERNAL TOOTH				W/BEARING	27	32
	LOCKWASHER	21	34	FA456137	GRIP, STEERING HANDLE		
F8060	EXTERNAL TOOTH				W/SLEEVE	23	43
	LOCKWASHER	21	12	FA456521	CLUTCH	27	35
F8077	NYLTITE WASHER	27	9	FA456662	GEAR, BEVEL REAR		
F8083	SPRING LOCKWASHER	3	22		W/BEARING	27	21
F8083	SPRING LOCKWASHER	19	31	FA472260	RING SET, PISTON (4 PER		
F8083	SPRING LOCKWASHER	27	18		SET)	15	20
F8088	WASHER	9	31	FA504060	WATER PUMP BOBY		
F8143	WASHER, PLAIN #10	5	3		W/DRIVESHAFT SEAL	29	44
F84026	SCREW, SHOULDER	5	12	FA510914	SEAL, WATER LINE	29	46
F84026	SCREW, SHOULDER	13	15	FA517228	CONNECTING ROD ROLLER		
F84035-2	BEARING, CONTROL ROD	5	11		SET (2 PER SET)	15	11
F8537	SPRING PIN	25	8	FA609853	DECAL, SHIFT WARNING	11	2
F8538	SPRING PIN	19	8	FA617113	LOCK BAR W/HANDLE	25	17
F8540	SPRING PIN	5	28	FA619158	REED PLATE W/REEDS AND		
F8540	SPRING PIN	25	15		REEDS STOPS - 7.5 HP	7	7
F8542	SPRING PIN	5	24	FA681038	SUPPORT PLATE	3	14
F8548	SPRING PIN	23	41	FA681239	STARTER PULLEY		
F8553	SPRING PIN	27	12		ASSEMBLY W/PLUG AND		
F8554	SPRING PIN	25	10		SEAL	13	11
F8559	DOWELL PIN	17	8	FA681469	HANDLE, COVER LATCH	3	18
F85610	BEARING	21	28	FA681630	SUPPORT, HANDLE	13	16
F8564	SPRING PIN	27	36	FA84754-1	FUEL LINE SHORT		
F901307-2	SEAL, DRIVESHAFT	27	39		W/FERRULES	31	5
F901307-2	SEAL, MOTOR LEG	19	38	FC311398	DECAL, TOTE TANK -		
F901563	PIN, IMPELLER DRIVE	29	42		CANADA (NOT SHOWN)	31	-
F901746-2	COVER, FUEL PUMP	7	24	FC456054	GEARHOUSING KIT	27	-
F901754	FUEL LINE (FUEL PUMP TO			FC618894	INDICATOR, STEERING		
	CARBURETOR)	7	16		HANDLE	23	44
F901811	FILTER, FUEL	7	22	FC681010	SHORT BLOCK	7	1
F901938-1	SCREW, CYLINDER HEAD	17	15	FC681010	SHORT BLOCK	17	-
F9030	RETAINER	9	9	FG1005-1	GASKET SET	17	17
F98273	STUD, GEARSHIFT ROD			FK10249	GASKET SET	9	35
	CONNECTOR	5	21	FK10250	REPAIR PARTS KIT	9	36
FA12370	COIL W/LEAD WIRE AND			FK1031-1	WATER PUMP KIT	27	33
	WEDGE SPRING	11	16	FK1065	SEAL KIT	29	47
FA1844	HEX BOLT			FK1123	SPARKIE W/SPRING	11	20
	W/LOCKWASHER, 1/4 - 20			FO10165	GASKET, INLET SEAT	9	19
	X 2-3/8 S.S.	19	32	FO10247	JET, MAIN FUEL (.055)	9	20
FA286054	GEARHOUSING LOWER			FO10280	SCREW, CHOKE SHUTTER		
	W/PROP SHAFT BEARING				RETAINING	9	8
	AND PLUG	27	17	FO10280	SCREW, THROTTLE		
FA286155	CENTER MAIN BEARING				SHUTTER RETAINING	9	30
	LINER SET (2 PER SET)	15	8	FO10588	PLUG, CUP	9	2
FA286266	GEAR, BEVEL PINION			FO11103	SPRING, IDLE MIXTURE		
	W/BALL BEARING	27	14		NEEDLE	9	17
FA286582	ARM, STEERING W/BUMPER			FO13554	FLOAT	9	10
	AND SPRING PIN	21	11	FO13944	PIN, FLOAT	9	11
FA324101	PROPELLER PIN, PACK OF			FO13945	SCREW, FUEL BOWL		
	3 W/COTTER PIN	27	28		RETAINING	9	14
FA341510	LINK, REVERSE LOCK	19	22	FO15366	BOWL, FUEL	9	12
FA343178	RETAINER W/SET SCREW	21	24	FO15520	NEEDLE, IDLE MIXTURE	9	16

PARTS INDEX

Part Number	Description	Pg.	Ref. No.	Part Number	Description	Pg.	Ref. No.
FO15623	GASKET, FUEL BOWL	9	13				
FO15718	SHAFT, THROTTLE	9	27				
FO15736	SHAFT, CHOKE	9	6				
FO16878	SHUTTER, THROTTLE	9	29				
FO2510	GASKET, FUEL BOWL RETAINING SCREW	9	15				
FO2531	PLUG, WELCH	9	1				
FO4784	BALL, CHOKE FRICTION	9	4				
FO8805	SPRING, CHOKE FRICTION	9	5				
FP6430	PROPELLER, 8 X 8 - 1/4 X 3 - PLASTIC	27	25				
FS409752	FUEL LINE COMPLETE (NOT SHOWN)	31	-				
FS617532	STERN BRACKET W/CLAMP SCREW	25	1				
FS681712	COVER, BASIC (UNPAINTED)	3	5				
FS901244	EXTENSION, WATER LINE (20 INCH TRANSOM MODELS)	19	33				
11-817752A1	PROPELLER NUT W/COTTER PIN	27	26				
27-818043A1	FUEL PUMP DIAPHRAGM W/GASKETS	7	30				
31-817756A2	CAGE, PROP SHAFT BEARING W/BEARING END SEALS	27	23				
32-817738A1	FUEL LINE LONG W/FERRULES	31	7				
33-82370M	SPARK PLUG (CHAMPION L- 82C)	11	21				
43-818009--1	GEAR, MAGNETO CONTROL SHAFT	21	27				
87-817952A1	SWITCH, STOP W/NUT	11	5				
1100-817753A1	CAGE, CRANKSAFT W/SEAL	15	3				
1400-817750A4	BRACKET, SWIVEL W/GREASE FITTING AND LOWER BEARING	19	17				
1600-824916A1	GEARHOUSING UPPER W/BEARING, PLUGS AND SEALS	27	7				