



PARTS CATALOG

9.9 H.P. 15" LEG OUTBOARD MOTOR

SERIAL NUMBER

9.9 H.P. (1991) 225.581994

TABLE OF CONTENTS:

CARBURETOR	8
CRANKSHAFT AND PISTON	16
CYLINDER	18
ENGINE COVER AND SUPPORT PLATE	2
FUEL INTAKE AND RECIRCULATION SYSTEM	6
FUEL TANK AND LINE	32
GEAR HOUSING	28
IGNITION SYSTEM	12
MOTOR LEG AND SWIVEL BRACKET	20
PARTS INDEX	34
SHIFT LINKAGE	4
STARTER	14
STERN BRACKETS	26
TILLER HANDLE AND THROTTLE LINKAGE	22

NOTE: *Indented description indicate that these parts are included in preceeding assembly.*

AR = As Required

NSS = Not Sold Separate

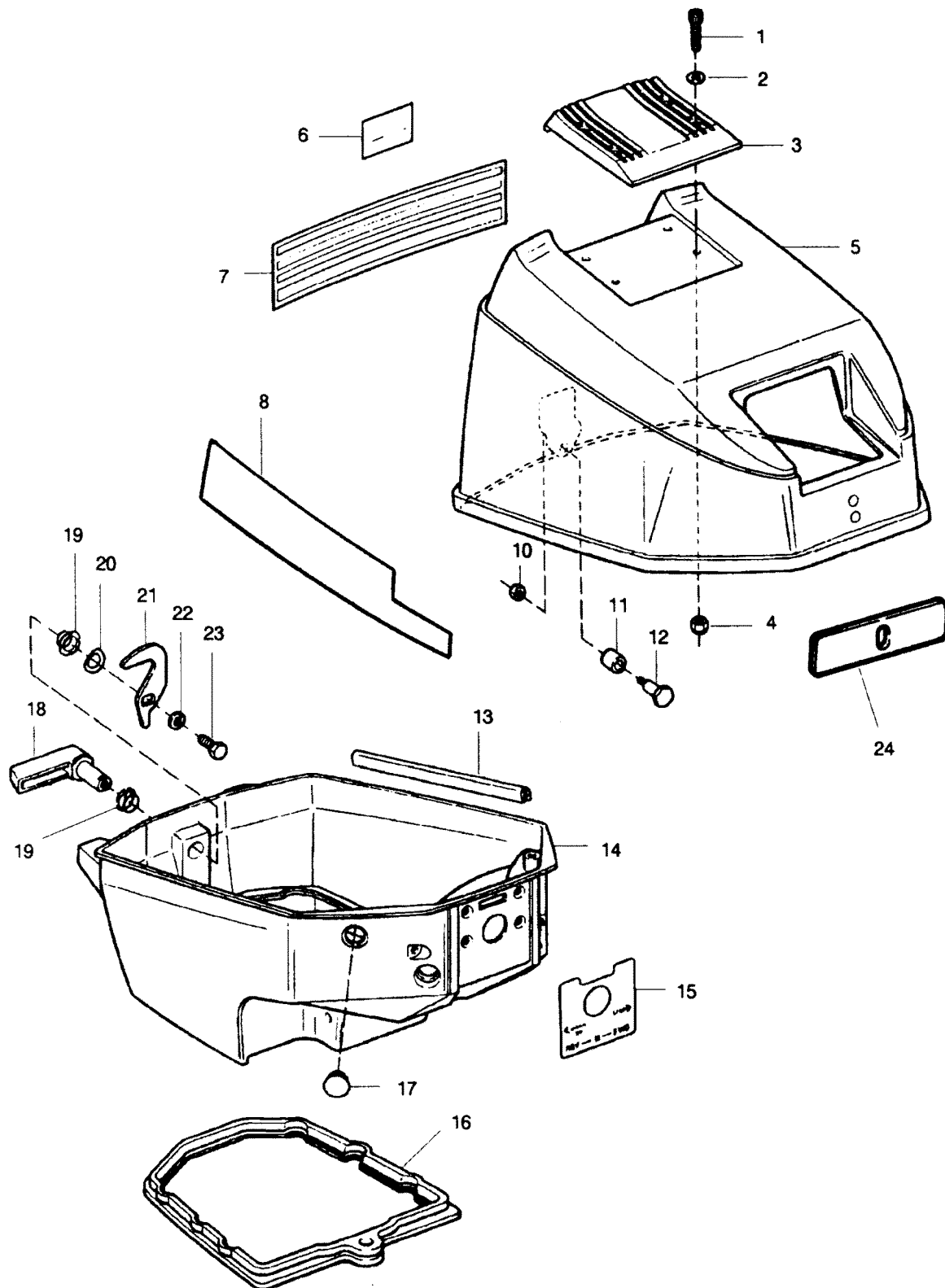
OPT = Optional

NS = Not Shown

THESE PARTS BOOKS/FICHE CARD ARE COPYRIGHTED AND MAY NOT BE DISTRIBUTED OR REPRODUCED IN ANY OTHER FORMAT BY ANYONE OTHER THAN MERCURY MARINE WITHOUT THE PRIOR WRITTEN CONSENT OF MERCURY MARINE.

THIS PAGE INTENTIONALLY LEFT BLANK

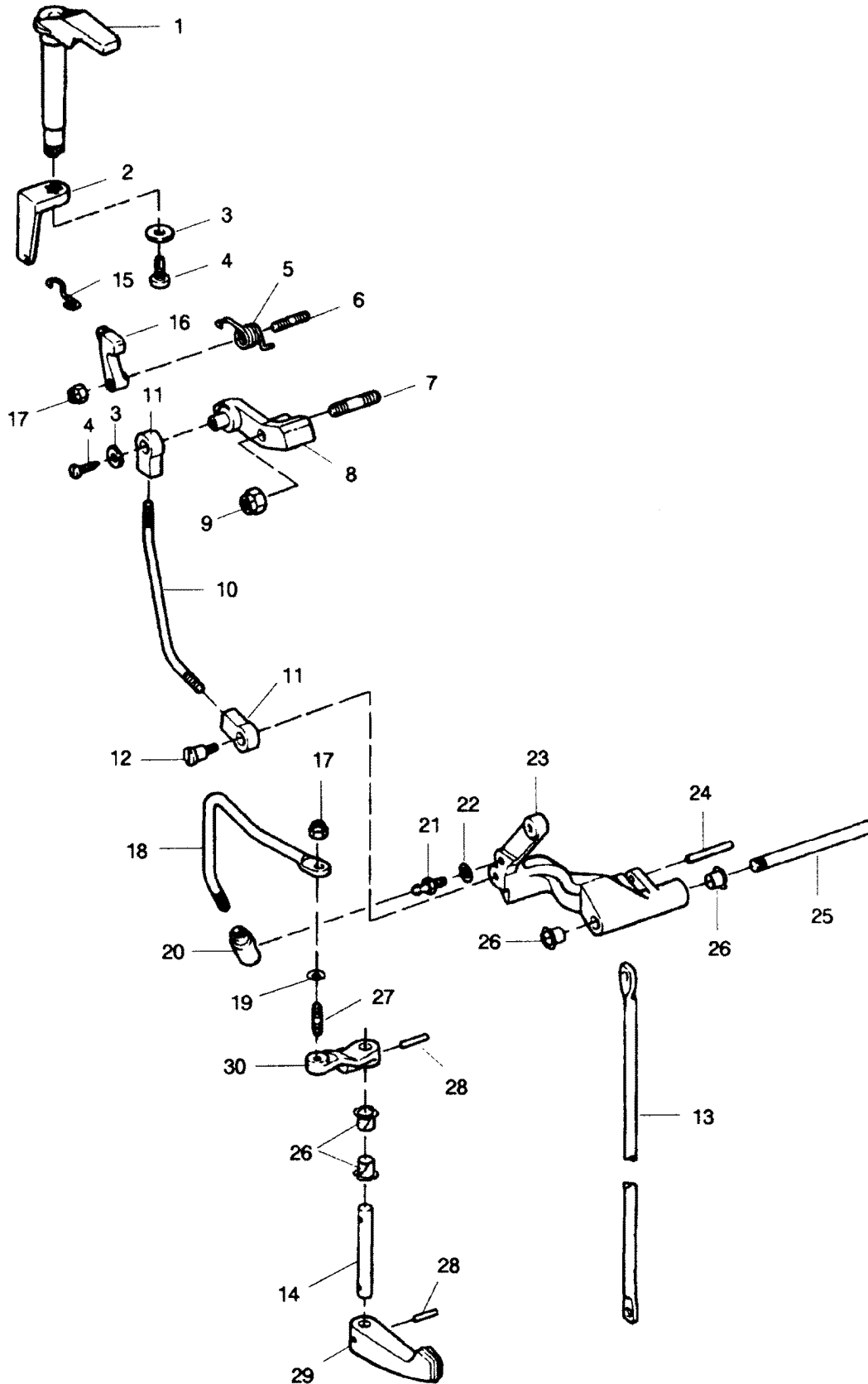
ENGINE COVER AND SUPPORT PLATE



ENGINE COVER AND SUPPORT PLATE

REF. NO.	PART NO.	SYM.	QTY.	DESCRIPTION
1	2211		4	HEX HEAD CAP SCREW, 10 - 24 X 5/8 S.S.
2	2042		4	WASHER
3	703269		1	HANDLE, TILT
4	7009		4	LOCKNUT, 10 - 24 S.S.
5	S681712		1	COVER, BASIC (UNPAINTED)
	2C709712		0	COVER, COMPLETE (PAINTED W/DECALS)
7	709528		1	DECAL, REAR
8	709396		1	DECAL, STARBOARD
	709397		1	DECAL, PORT
10	1832		1	LOCKNUT, 1/4 - 20 S.S.
11	681759		1	ROLLER, LATCH
12	681026		1	SCREW, LATCH ROLLER
13	392756		1	PACKING
14	819280		1	SUPPORT PLATE
15	819281		1	PLATE, FRONT
16	286989-2		1	SEAL, SUPPORT PLATE
17	73336		2	PLUG
18	A681469		1	HANDLE, COVER LATCH
19	307818		2	BEARING
20	8048		1	BOWED WASHER
21	481777		1	CAM, LATCH
22	8083		1	SPRING LOCKWASHER
23	1854		1	HEX HEAD CAP SCREW, L/4 - 20 X 5/8
24	681390		1	DECAL, START PROCEDURE

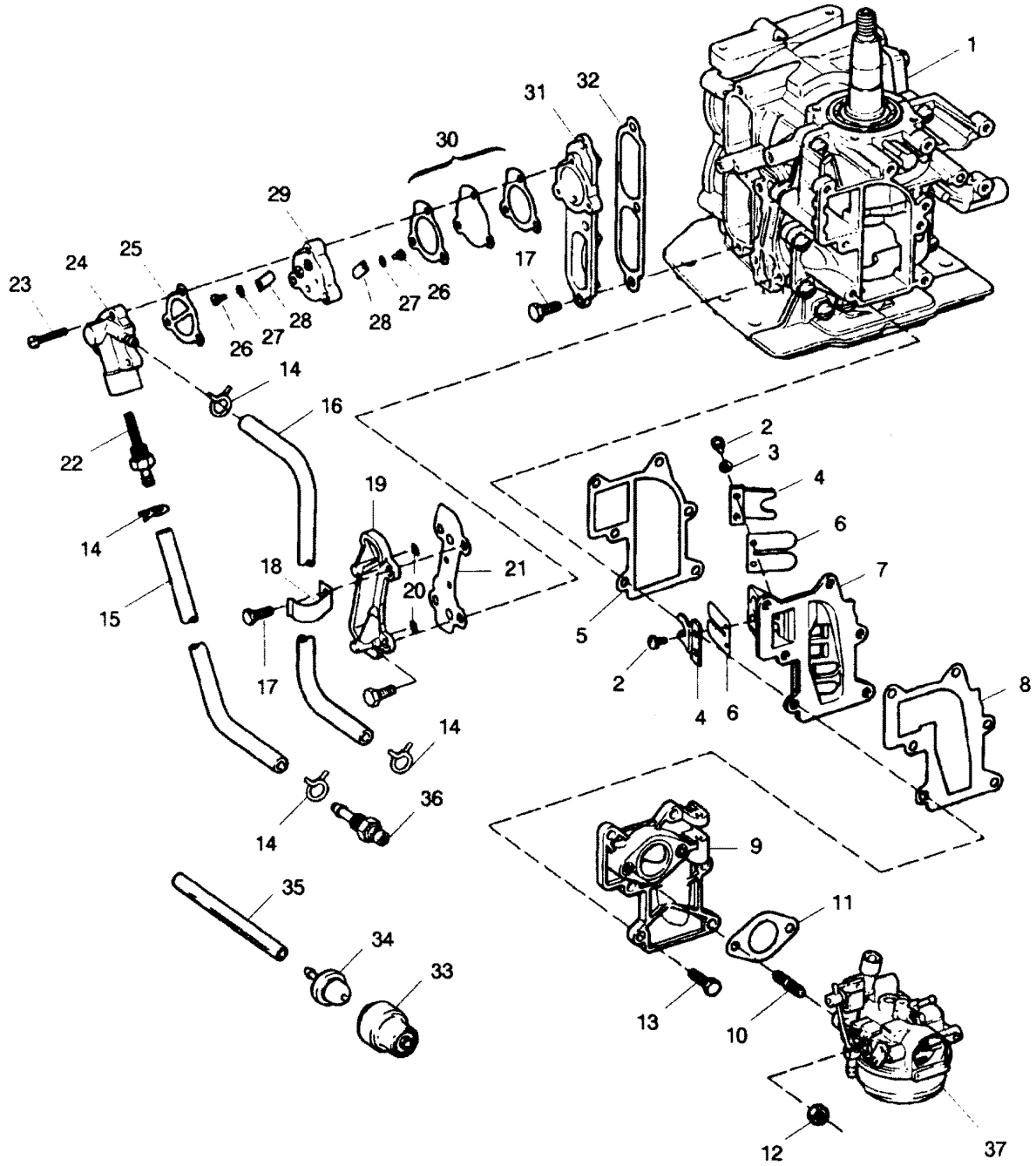
SHIFT LINKAGE



SHIFT LINKAGE

REF. NO.	PART NO.	SYM.	QTY.	DESCRIPTION
1	681490		1	STOP, STARTER INTERLOCK
2	681003-1		1	ARM, STARTER INTERLOCK
3	8143		1	WASHER, PLAIN #10
4	2209		1	PAN HEAD SELF TAPPING SCREW 10 - 16
5	681424		1	SPRING, INTERLOCK
6	681134		1	STUD
7	681008		1	STUD
8	681997-1		1	LEVER, NEUTRAL SPEED INTERLOCK
9	1832		1	LOCKNUT 1/4 - 20
10	681531-1		1	ROD, INTERLOCK
11	816514		2	BEARING, CONTROL ROD
12	84026		1	SCREW, SHOULDER
13	286615		1	ROD, GEARSHIFT UPPER
14	715417		1	SHAFT, GEARSHIFT HANDLE
15	681263-1		1	LINK, INTERLOCK
16	681742		1	LEVER, INTERMEDIATE INTERLOCK
17	1804		2	STOP NUT, 10 - 32
18	286611-2		1	ROD, GEARSHIFT
19	8048		1	BOWED SPRING WASHER
20	286685		1	CONNECTOR, GEARSHIFT ROD
21	98273		1	STUD, GEARSHIFT ROD CONNECTOR
22	8058		1	INTERNAL TOOTH LOCKWASHER
23	286876		1	LEVER, GEARSHIFT
24	8542		1	SPRING PIN
25	286871		1	PIN, GEARSHIFT LEVER
26	307818		4	BEARING
27	286134		1	STUD, GEARSHIFT LEVER
28	8547		2	SPRING PIN
29	715614		1	HANDLE, GEARSHIFT
30	715619		1	LEVER, SHIFT HANDLE SHAFT

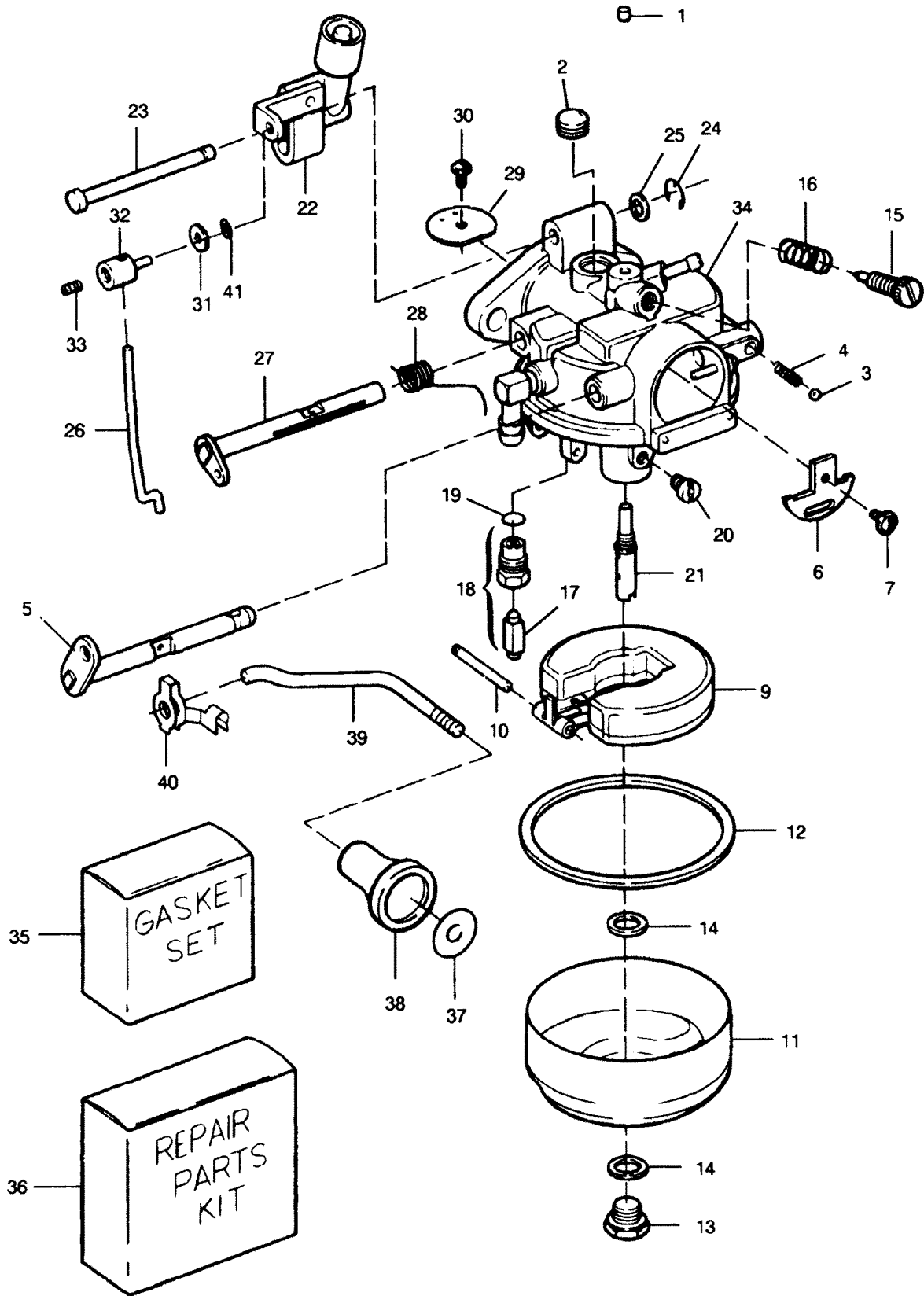
FUEL INTAKE AND RECIRCULATION SYSTEM



FUEL INTAKE AND RECIRCULATION SYSTEM

REF. NO.	PART NO.	SYM.	QTY.	DESCRIPTION
1	C709010		1	SHORT BLOCK
2	1755		8	ROUND HEAD SCREW W/LOCKWASHER, 6 - 32 X 5/16
3	1704		2	LOCKWASHER, #6 S.S.
4	424161		4	REED STOP, 9.9 HP
5	286159-1		1	GASKET, REED PLATE
6	31160-2		4	REED
7	A715158		1	REED PLATE W/REEDS AND REED STOPS - 9.9 HP
8	715168		1	GASKET, MANIFOLD
9	A714167		1	MANIFOLD W/STUDS
10	2788004		2	STUD, CARBURETOR
11	18906		1	GASKET, CARBURETOR
12	1490		2	HEX NUT, 1/4 - 20
13	2008		6	HEX HEAD SCREW, 1/4 - 20 X 7/8
14	2706772		4	HOSE CLAMP
15	40253-1		1	FUEL LINE (SUPPORT PLATE TO FUEL PUMP)
16	901754		1	FUEL LINE (FUEL PUMP TO CARBURETOR)
17	1922		7	HEX HEAD SCREW, 1/4 - 20 X 5/8
18	286772-1		1	CLAMP
19	A429471		1	COVER, CYLINDER DRAIN WITH CHECK VALVES AND SCREENS
20	429811		2	SCREEN
21	429472		1	GASKET, CYLINDER DRAIN COVER
22	901811		1	FILTER, FUEL
23	1069		3	HEAD SCREW, 10 - 24 X 1-1/16
24	901746-2		1	COVER, FUEL PUMP
25	24748-2		1	GASKET, FUEL PUMP
26	1286		2	PAN HEAD SCREW, 4 - 40 X 3/16
27	8003		2	PLAIN WASHER
28	18160-3		2	REED, FUEL PUMP
29	2A24757		1	PLATE, FUEL PUMP W/REEDS
30	818043A1		1	FUEL PUMP DIAPHRAGM W/GASKETS
31	286222		1	COVER, TRANSFER PORT
32	286223		1	GASKET, TRANSFER PORT COVER
33	681954		1	COVER, PRIME BULB
34	681046		1	BULB, PRIME
35	681243		1	HOSE (PRIME BULB TO CARBURETOR)
36	197767-2		1	BUSHING (FUEL LINE)
37	714061		1	CARBURETOR, COMPLETE

CARBURETOR

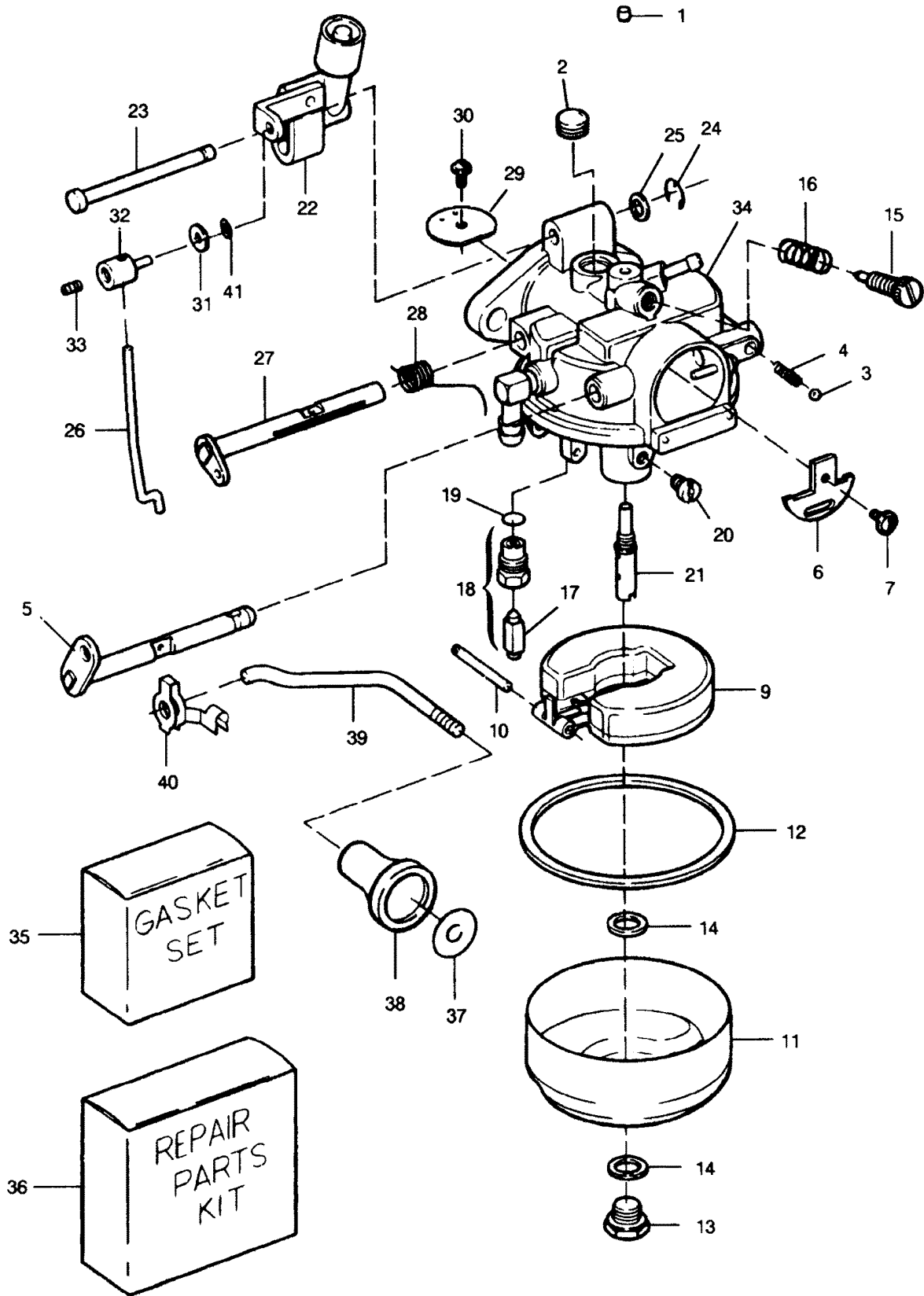


CARBURETOR

REF. NO.	PART NO.	SYM.	QTY.	DESCRIPTION
1	010588		1	PLUG
2	02531		1	PLUG
3	04784		1	BALL
4	08805		1	SPRING
5	015736		1	SHAFT, CHOKE
6	10236		1	SHUTTER, CHOKE
7	010280		1	SCREW
9	013554		1	FLOAT
10	013944		1	PIN, FLOAT
11	015366		1	BOWL, FUEL
12	015623		1	GASKET, FUEL BOWL
13	013945		1	SCREW, BOWL RETAINING
14	02510		2	GASKET, BOWL RETAINING
15	015520		1	NEEDLE, IDLE MIXTURE
16	011103		1	SPRING, IDLE MIXTURE
17	10265		1	NEEDLE, INLET
18	10237		1	INLET SEAT, NEEDLE AND GASKET
19	010165		1	GASKET, INLET SEAT
20	10260		1	JET, MAIN FUEL (.057) SEA LEVEL - 2500 FT.
	10247		1	JET, MAIN FUEL (.055) 2500 - 5000 FT.
	011765		1	JET, MAIN FUEL (.053) 5000 - 7500 FT.
	011764		1	JET, MAIN FUEL (.051) 7500 - 10000 FT.
21	10238		1	NOZZLE, MAIN
22	10290		1	FOLLOWER, THROTTLE CAM
23	10240		1	SHAFT, THROTTLE LINKAGE
24	10241		1	E-RING
25	10242		1	WASHER
26	10338		1	WIRE, THROTTLE LINKAGE
27	10339		1	SHAFT, THROTTLE
28	10246		1	SPRING, THROTTLE SHAFT RETURN
29	10354		1	SHUTTER, THROTTLE
30	10328		1	SCREW, THROTTLE SHUTTER
31	8088		1	WASHER
32	681033		1	SWIVEL
33	2215		1	SCREW
34	714061		1	CARBURETOR COMPLETE (HO5A)
35	K10294		1	GASKET SET
36	K10295		1	REPAIR KIT

CONTINUED ON NEXT PAGE ➡

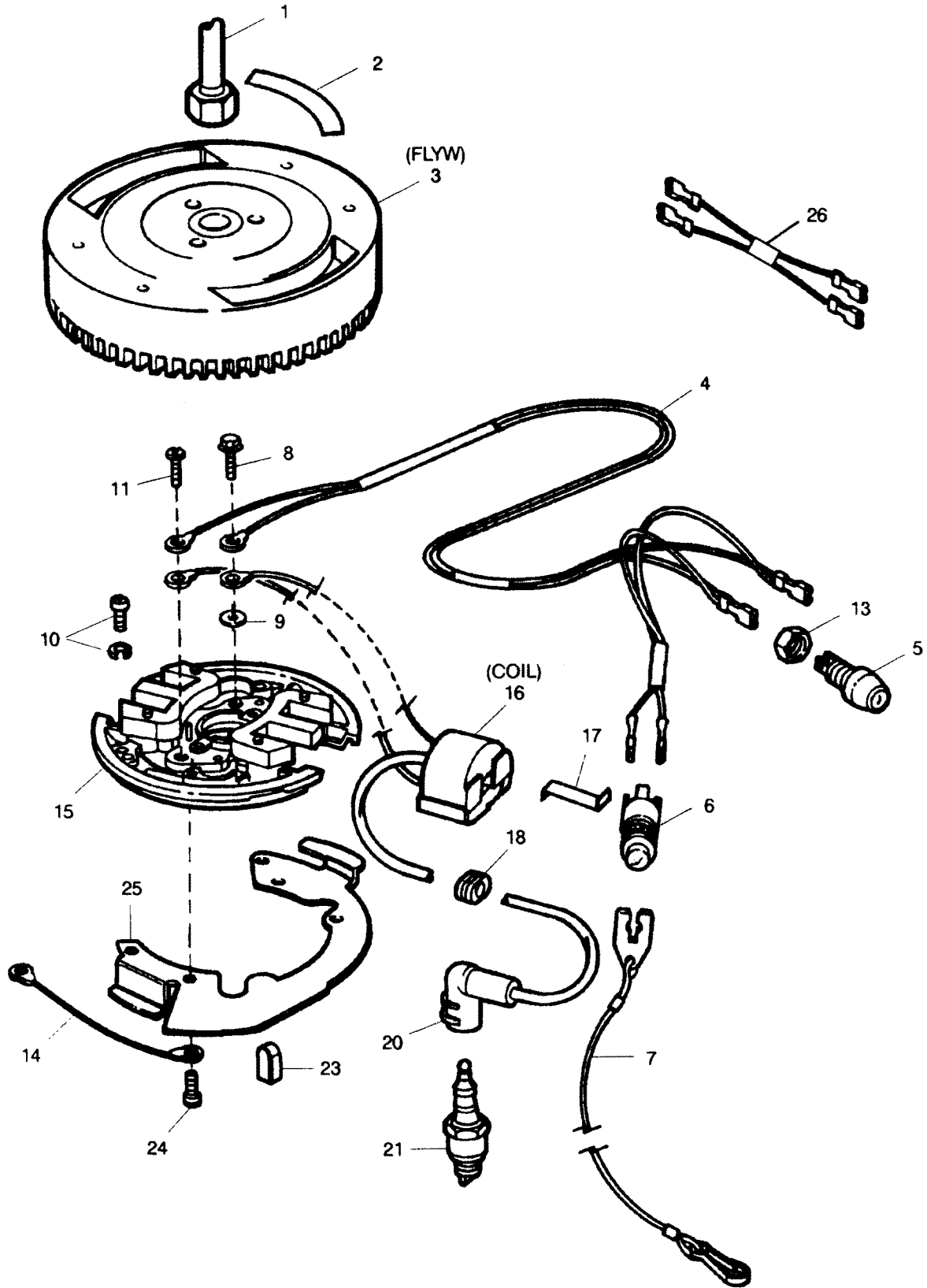
CARBURETOR



CARBURETOR

REF. NO.	PART NO.	SYM.	QTY.	DESCRIPTION
37	458677		1	INSERT, CHOKE KNOB
38	286547		1	KNOB, CHOKE
39	819348		1	ROD, CHOKE
40	341384		1	RETAINER, CHOKE ROD
41	9030		1	RETAINER

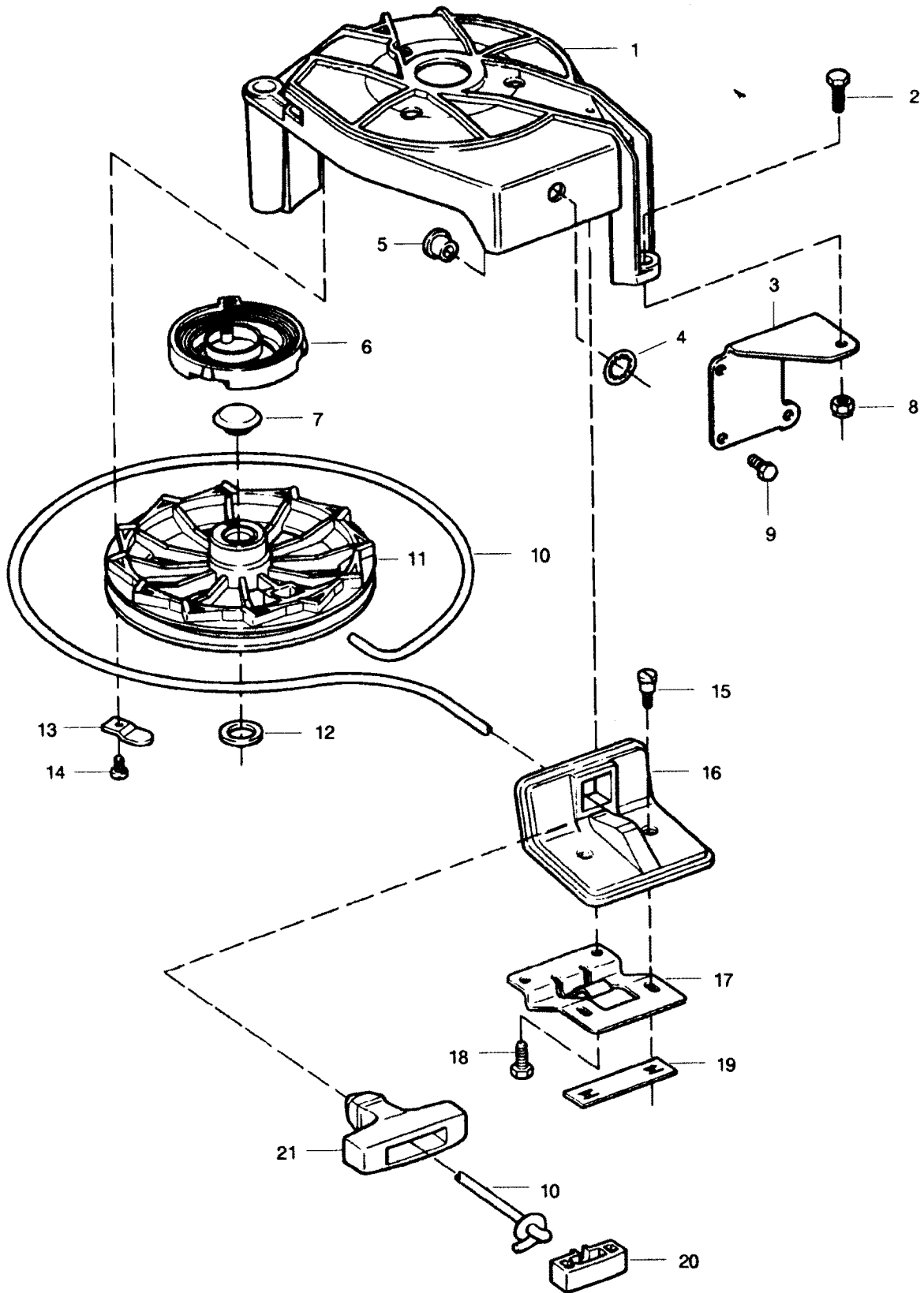
IGNITION SYSTEM



IGNITION SYSTEM

REF. NO.	PART NO.	SYM.	QTY.	DESCRIPTION
1	681091		1	NUT, FLYWHEEL
2	A609853		1	DECAL, SHIFT WARNING
3	A714097		1	FLYWHEEL W/DECAL
4	12376		1	WIRE, MAGNETO SHORTING
5	817952A1		1	SWITCH, STOP W/NUT
6	687287		1	SWITCH, EMERGENCY STOP
7	702329		1	LANYARD
8	12380		1	SCREW (PLASTIC)
9	12381		1	WASHER (PLASTIC)
10	1090		4	SCREW W/LOCKWASHER,10 - 24 X 9/16
11	12382		1	SCREW
13	436280		1	NUT, SHORTING SWITCH
14	289664		1	WIRE, STATOR GROUND
15	12377		1	STATOR, PLATE W/LAMINATIONS
16	712475		2	COIL
17	12378		2	SPRING, COIL WEDGE
18	12088		2	GROMMET
20	K1123		2	SPARKIE W/SPRING
21	817996--2		2	SPARK PLUG (CHAMPION L-82C)
23	458498-1		1	KEY, MAGNETO
24	1090		4	SCREW, 10 - 24 X 9/16
25	617192		1	PLATE, THROTTLE CAM
26	819379A1		1	WIRE

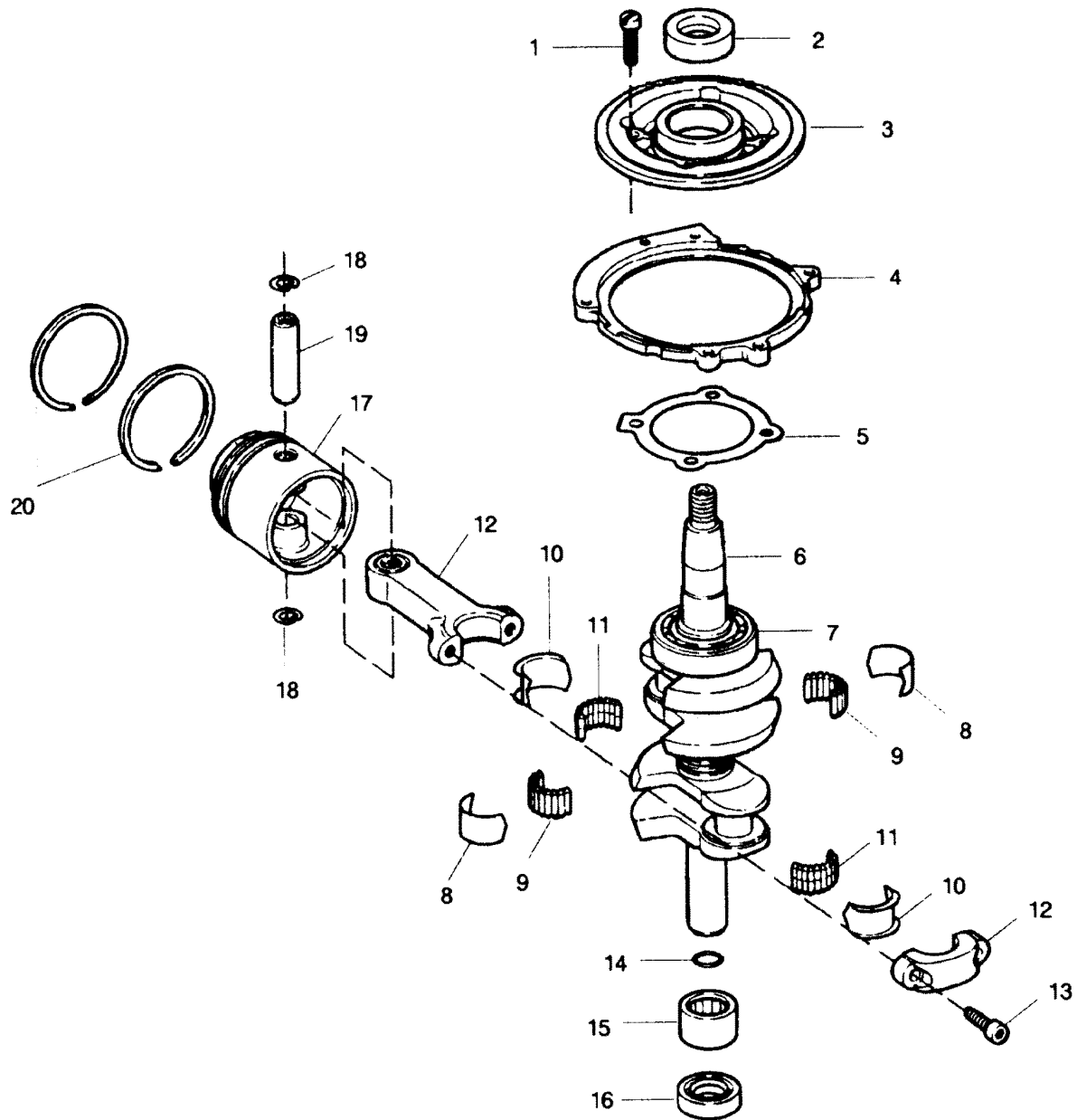
STARTER



STARTER

REF. NO.	PART NO.	SYM.	QTY.	DESCRIPTION
1	681408-1		1	HOUSING
2	1864		3	SCREW, HEX HEAD 1/4 - 20 X 3/4 S.S.
3	681427-2		1	BRACKET
4	681741		1	RING, RETAINING
5	681428		1	INSERT, STARTER HOUSING ROPE
6	681970		1	SPRING, STARTER REWIND
7	681971		1	PLUG
8	1832		1	LOCKNUT, 1/4 - 20
9	1090		3	SCREW, FILL. HEAD 10 - 24 X 9/16
10	681232		1	ROPE
11	A681239		1	STARTER PULLEY ASSEMBLY W/PLUG AND SEAL
12	681579		1	SEAL
13	681592		3	RETAINER, STARTER PULLEY
14	2209		3	SCREW, PAN HEAD 10 - 16 X 1/2 S.S.
15	84026		2	SCREW, SHOULDER
16	A681630		1	SUPPORT, HANDLE
17	681090		1	PLATE, HANDLE SUPPORT
18	2210		2	SCREW, PAN HEAD 1/4 - 14 X 112 S.S.
19	681874		1	FASTENER, HANDLE SUPPORT PLATE
20	681817		1	RETAINER, STARTER ROPE
21	681132		1	HANDLE, STARTER ROPE

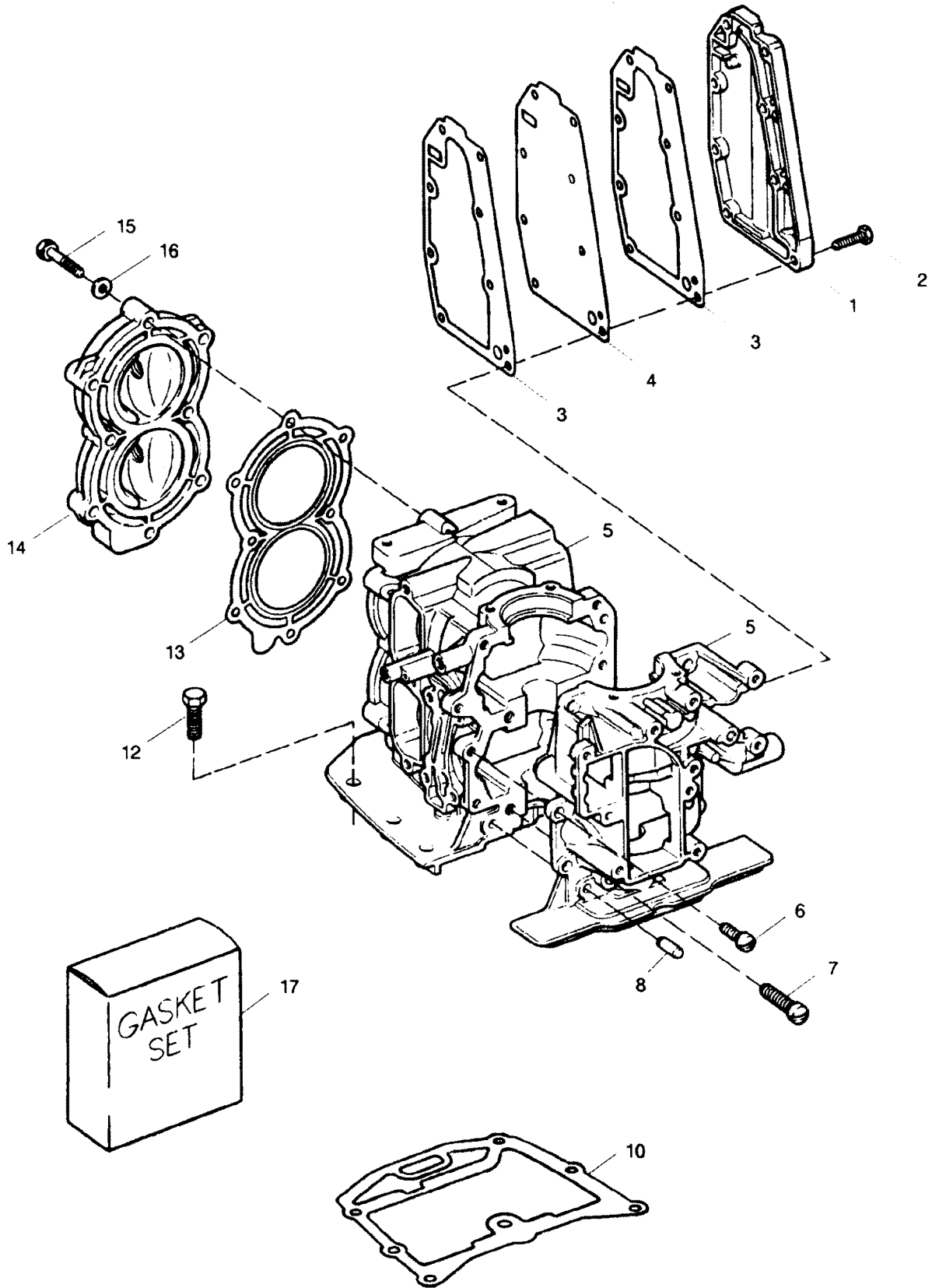
CRANKSHAFT AND PISTON



CRANKSHAFT AND PISTON

REF. NO.	PART NO.	SYM.	QTY.	DESCRIPTION
1	1111		4	HEAD SCREW, 1/4 - 20 X 7/8
2	346146		1	SEAL, CRANKSHAFT UPPER
3	817753A1		1	CAGE, CRANKSHAFT W/SEAL
4	73082		1	RING, MAGNETO STATOR
5	286277		1	GASKET, CRANKSHAFT BEARING CAGE
6	2A681018		1	CRANKSHAFT W/UPPER MAIN BEARING
7	286028		1	BEARING, CRANKSHAFT UPPER
8	A286155		1	CENTER MAIN BEARING LINER SET (2 PER SET)
9	286571		1	CENTER MAIN BEARING ROLLER SET (26 PER SET)
10	817755A1		2	CONNECTING ROD LINER SET (2 PER SET)
11	A517228		2	CONNECTING ROD ROLLER SET (2 PER SET)
12	818046A1		2	ROD, CONNECTING W/CAP AND SCREWS
13	286634-1		4	SCREW, CONNECTING ROD
14	461342		1	SEAL, DRIVESHAFT SPLINE
15	343014		1	BEARING, CRANKSHAFT LOWER MAIN
16	141118		1	SEAL, CRANKSHAFT LOWER
17	715015		2	PISTON
18	31410		4	RETAINING RING, PISTON PIN
19	712017		2	PIN, PISTON
20	A472260		1	RING SET, PISTON (4 PER SET)

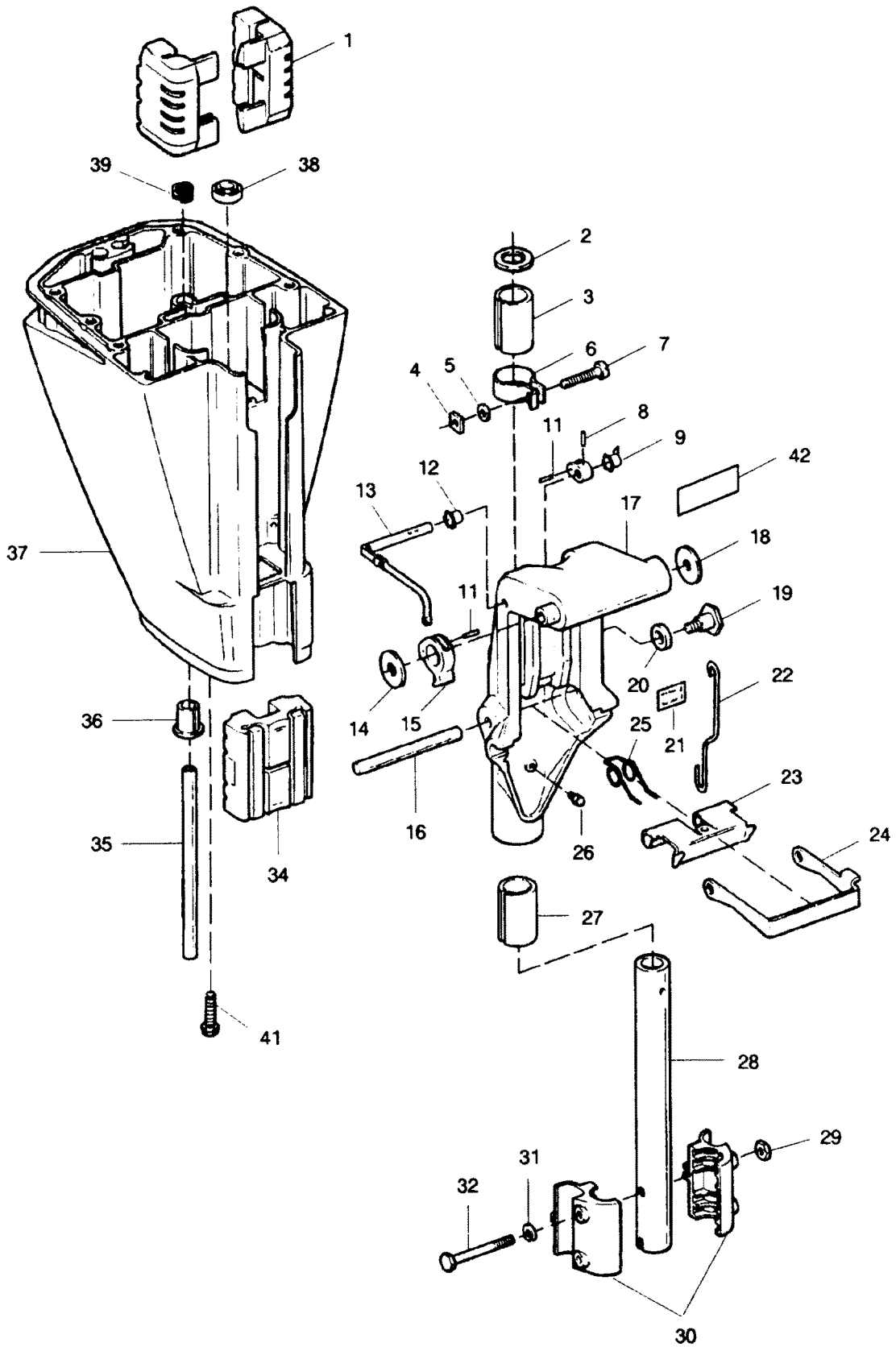
CYLINDER



CYLINDER

REF. NO.	PART NO.	SYM.	QTY.	DESCRIPTION
1	715152		1	COVER, EXHAUST
2	2008		8	HEX HEAD SCREW, 1/4 - 20 X 7/8
3	715154		2	GASKET, EXHAUST COVER
4	715151		1	PLATE, EXHAUST
5	A709010		1	CYLINDER
-	C709010		1	SHORT BLOCK (CYLINDER WITH CRANKSHAFT, PISTONS AND RODS INSTALLED)
6	1107		8	HEAD SCREW, 1/4 - 20 X 3/4
7	1335		4	HEAD SCREW, 5/16 - 18 X L-L/4
8	8559		2	DOWEL PIN
10	715279-1		1	GASKET, CYLINDER MOUNT
12	1823		6	HEX HEAD CAP SCREW, 5/16 - 18 X 1
13	286529-3		1	GASKET, CYLINDER HEAD
14	703518		1	HEAD, CYLINDER
15	901938-1		8	SCREW, CYLINDER HEAD
16	8025		8	PLAIN WASHER
17	G1036		1	GASKET SET (INCLUDES ALL GASKETS AND SEALS REQUIRED TO REBUILD POWER HEAD)

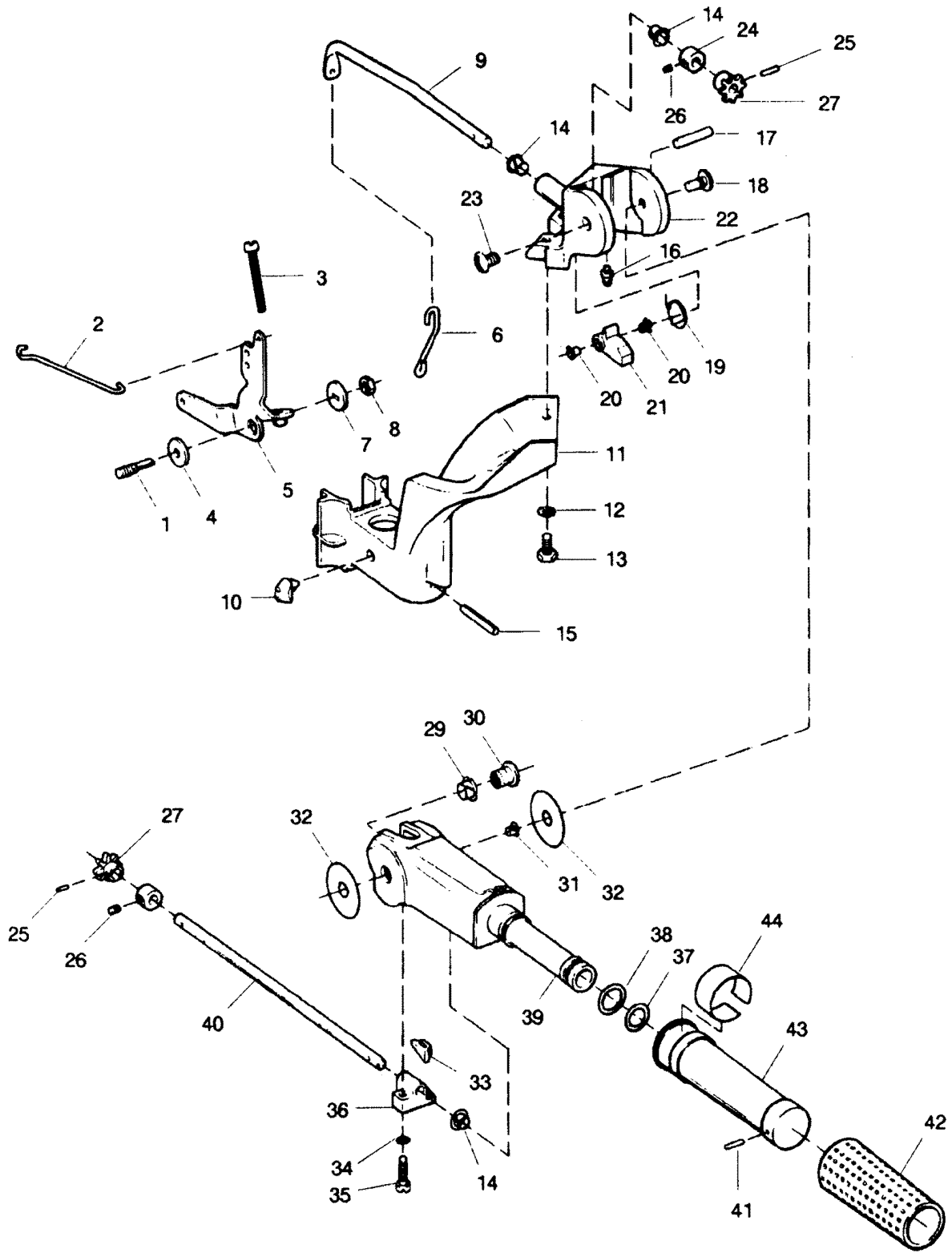
MOTOR LEG AND SWIVEL BRACKET



MOTOR LEG AND SWIVEL BRACKET

REF. NO.	PART NO.	SYM.	QTY.	DESCRIPTION
1	2B6347		2	MOUNT, UPPER SHOCK
2	286011		1	WASHER, SWIVEL BRACKET
3	286169		1	BEARING, SWIVEL BRACKET
4	1608		1	SQUARE NUT, 1/4 - 20
5	1907		1	WASHER
6	286573-1		1	CLAMP, STEERING FRICTION
7	1820		1	HEAD SCREW, 1/4 - 20 X 1-3/8
8	8538		2	SPRING PIN
9	197813		1	BEARING
LO	286364		1	LEVER, REVERSE LOCK
11	1794		1	SPRING PIN
12	536813		1	BEARING
13	A387742		1	LEVER, REVERSE LOCK INTERMEDIATE
14	525286		1	WASHER
15	286827		1	LEVER, REVERSE LOCK
16	1806		1	GROOVE PIN
17	817750A2		1	BRACKET, SWIVEL W/GREASE FITTING AND LOWER BEARING
18	286286-1		1	WASHER
19	286422-1		1	PIVOT, TILT LOCK
20	286451		1	SPACER, TILT LOCK
21	688585		1	DECAL, TILT LOCK
22	A341510		1	LINK, REVERSE LOCK
23	286349		1	REVERSE LOCK
24	286433		1	BRACKET, REVERSE LOCK
25	286300		1	SPRING, REVERSE LOCK
26	213274		4	FITTING, GREASE
27	286169		1	BEARING, LOWER SWIVEL BRACKET
28	286019		1	KINGPIN
29	1341		2	HEX NUT, 1/4 - 20
30	286956		2	BRACKET, SHOCK MOUNT LOWER
31	8083		2	SPRING LOCKWASHER
32	A1844		2	HEX BOLT W/LOCKWASHER, 1/4 - 20 X 2-3/8 S.S.
34	286346		1	MOUNT, LOWER SHOCK
35	286244		1	LINE, WATER
36	286914-1		1	SLEEVE, WATER LINE
37	688133		1	LEG, MOTOR
38	901307-2		1	SEAL, MOTOR LEG
39	286414		1	SPRING, LEG WATER BRACKET
41	430732		4	SCREW, S.S.
42	818029		1	DECAL, FUEL MIX

TILLER HANDLE AND THROTTLE LINKAGE

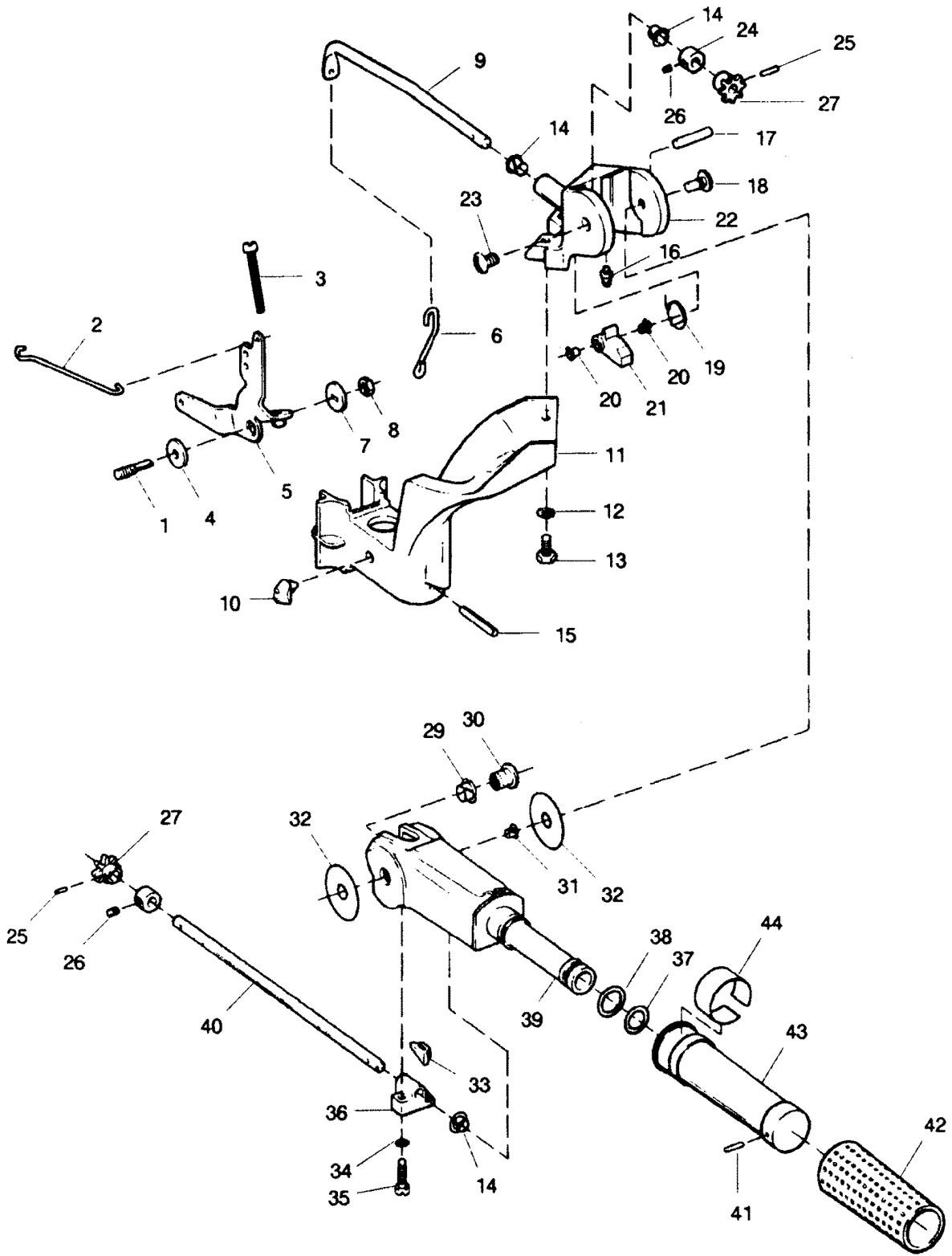


TILLER HANDLE AND THROTTLE LINKAGE

REF. NO.	PART NO.	SYM.	QTY.	DESCRIPTION
1	286440		1	STUD, MAGNETO CONTROL LEVER
2	286509		1	LINK, THROTTLE CAM
3	2126		1	SLOTTED FILL. HEAD SCREW, 1/4 - 28 X 2
4	183813		1	BEARING, MAGNETO CONTROL LEVER
5	A715081		1	LEVER, MAGNETO CONTROL
6	618445		1	LINK, MAGNETO SHAFT
7	286282		1	WASHER
8	1803		1	STOP NUT, 5/16 - 24
9	431838		1	SHAFT, MAGNETO CONTROL
10	286539		1	BUMPER
11	A286582		1	ARM, STEERING W/BUMPER AND SPRING PIN
12	8060		2	EXTERNAL TOOTH LOCKWASHER
13	1922		2	HEX CAP SCREW, 1/4 - 20
14	307818		2	BEARING
15	1805		1	SPRING PIN
16	213274		1	FITTING, GREASE
17	1807		1	GROOVE PIN
18	286080		1	SCREW, STEERING HANDLE PIVOT
19	286868		1	SPRING, STEERING HANDLE STOP
20	197813		2	BEARING, STEERING HANDLE STOP
21	286490		1	STOP, STEERING HANDLE
22	817751A2		1	BRACKET, STEERING HANDLE W/GREASE FITTING
23	1799		1	TRUSS HEAD SCREW, 5/16 - 18 X 5/8
24	A343178		2	RETAINER W/SET SCREW
25	1978		2	SPRING PIN
26	1859		2	HEX HEADLESS SOCKET SET SCREW
27	818009--1		2	GEAR, MAGNETO CONTROL SHAFT
28	85610		1	BEARING
29	286818		1	BEARING
30	286224-1		1	INSERT, STEERING HANDLE PIVOT
31	197813		1	BEARING
32	286220		2	WASHER, STEERING HANDLE
33	341693		1	WEDGE, STEERING HANDLE
34	8058		2	INTERNAL TOOTH LOCKWASHER
35	1829		2	HEAD SCREW, 10 - 24 X 7/8
36	487816-1		1	BEARING, STEERING HANDLE
37	215795		1	SEAL (SMALL)
38	53795-1		1	SEAL (LARGE)
39	819279		1	HANDLE, STEERING

CONTINUED ON NEXT PAGE ➡

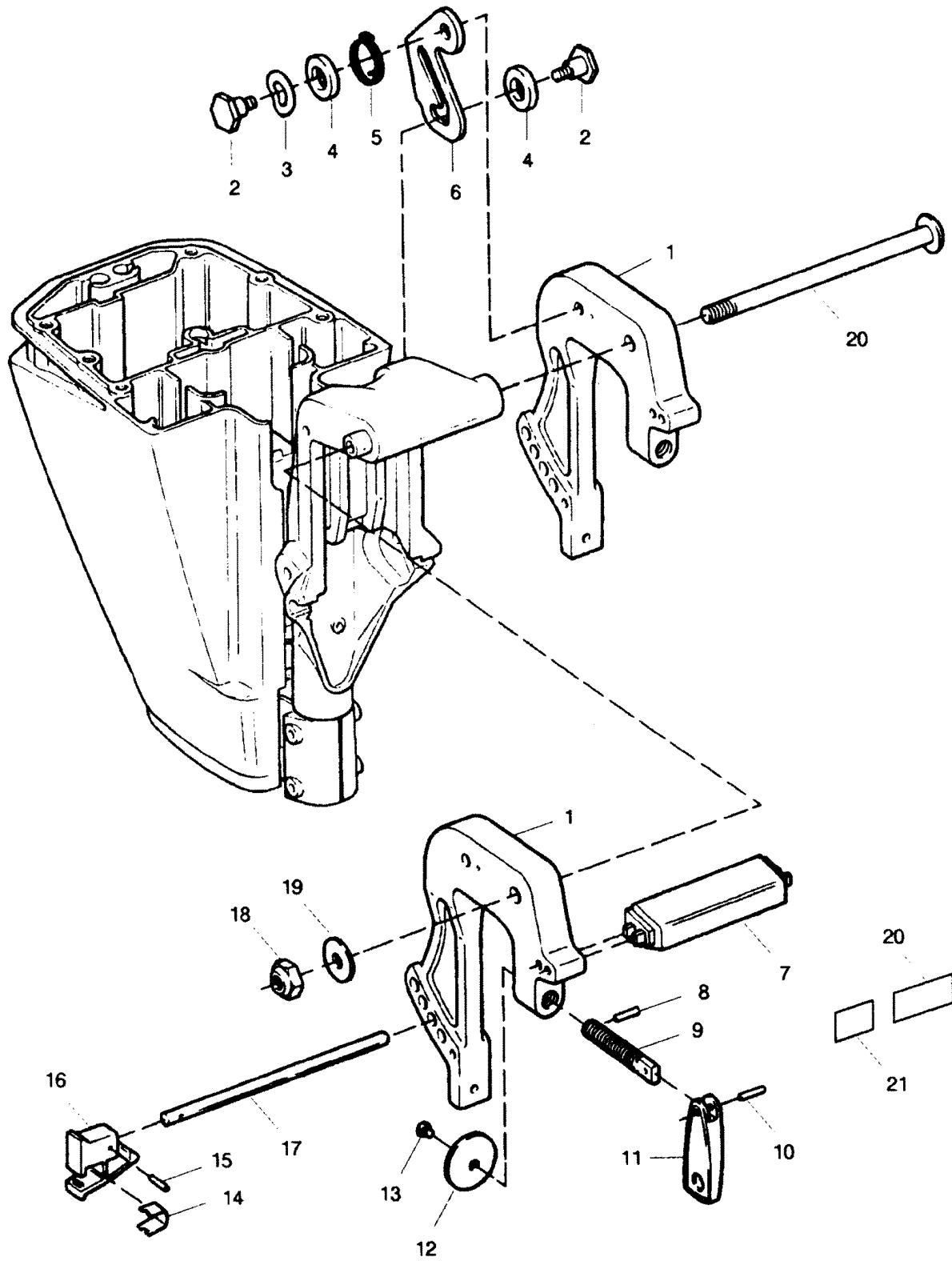
TILLER HANDLE AND THROTTLE LINKAGE



TILLER HANDLE AND THROTTLE LINKAGE

REF. NO.	PART NO.	SYM.	QTY.	DESCRIPTION
40	819160		1	SHAFT, STEERING HANDLE
41	8548		0	SPRING PIN
42	458695		1	SLEEVE
43	A456137		1	GRIP, STEERING HANDLE W/SLEEVE
44	709894		1	INDICATOR, STEERING HANDLE

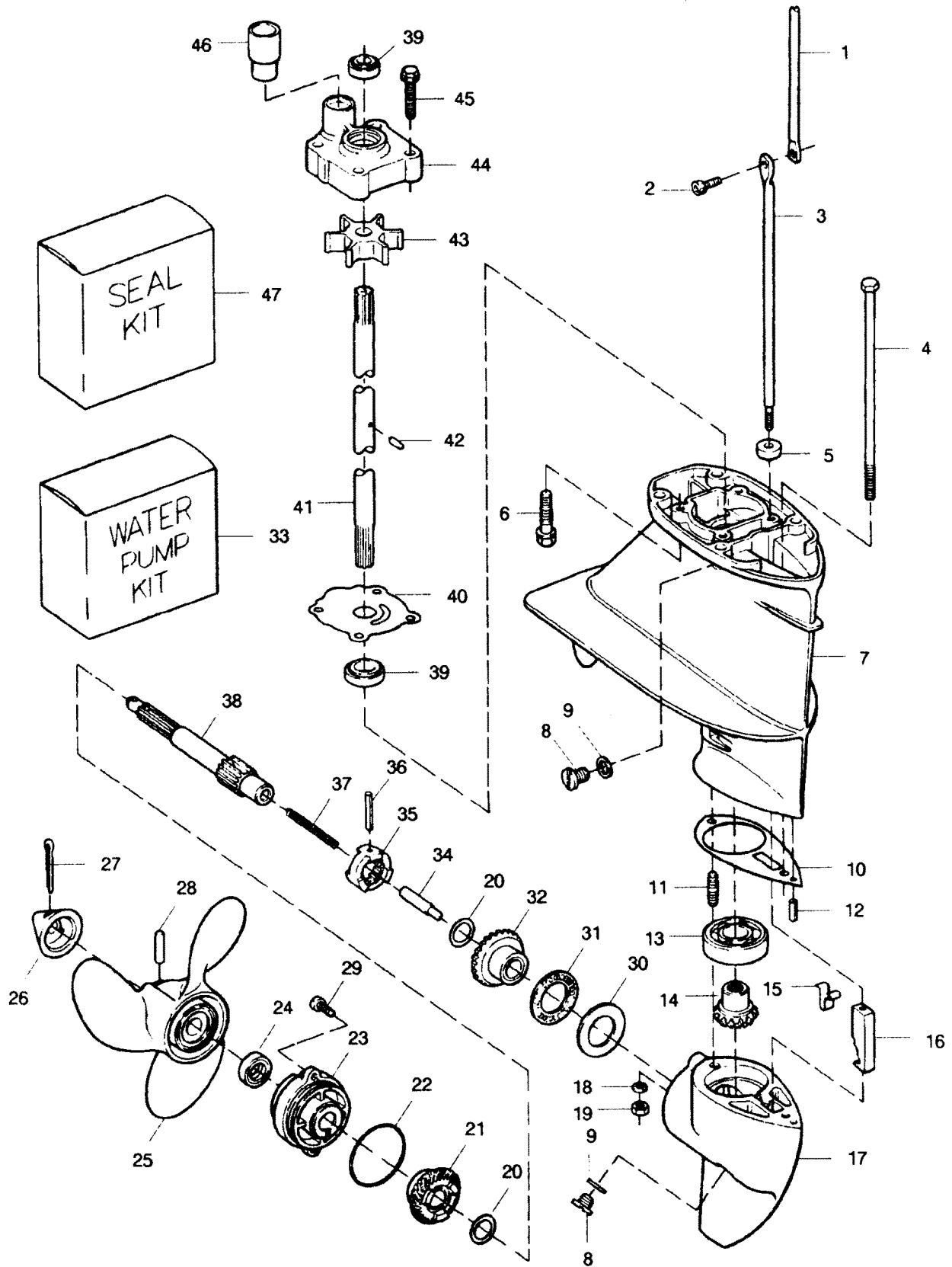
STERN BRACKETS



STERN BRACKETS

REF. NO.	PART NO.	SYM.	QTY.	DESCRIPTION
1	S617532		2	STERN BRACKET W/CLAMP SCREW
2	286422-1		2	PIVOT
3	1666		1	BOWED SPRING WASHER
4	286451		2	SPACER
5	286544-1		1	SPRING, TILT STOP
6	429541		1	LOCK, TILT
7	286647		1	HANDLE, CARRYING
8	8537		2	SPRING PIN
9	817761A2		2	CLAMP SCREW W/HANDLE AND FOOT
10	8554		2	SPRING PIN
11	424075		2	HANDLE, CLAMP SCREW
12	24074		2	FOOT, CLAMP SCREW
13	66480		2	STUD, CLAMP SCREW
14	286461		1	SPRING, LOCK BAR HANDLE
15	8540		1	SPRING PIN
16	286114		1	HANDLE, LOCK BAR
17	A617113		1	LOCK BAR W/HANDLE
18	7026		1	STOP NUT, 3/8 - 16
19	2014		1	WASHER
20	819029		1	DECAL, FUEL MIX
21	688585		1	DECAL, START PROCEDURE

GEAR HOUSING

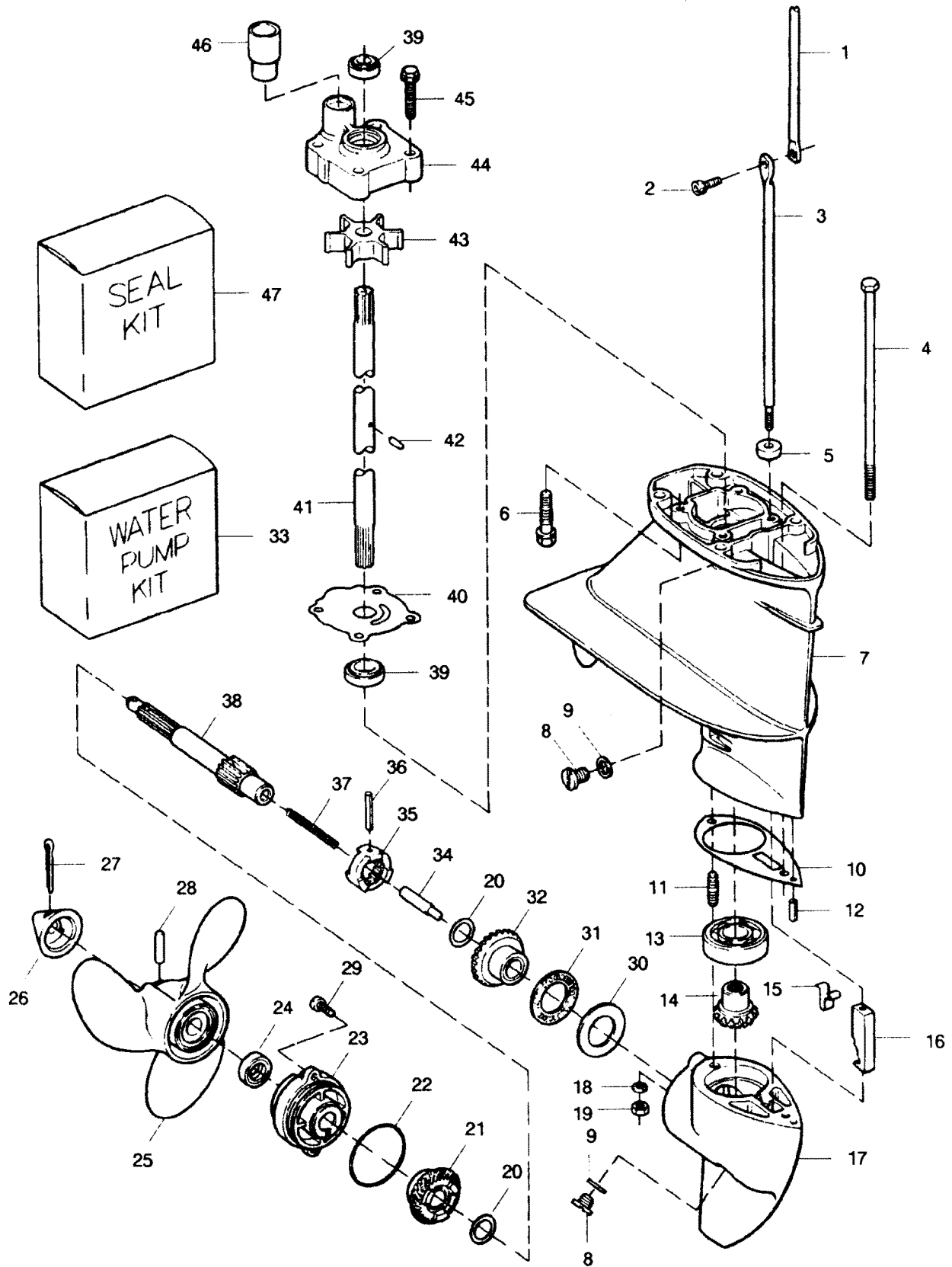


GEAR HOUSING

REF. NO.	PART NO.	SYM.	QTY.	DESCRIPTION
1	286615		1	GEAR SHIFT ROD, UPPER
2	1976		1	SOCKET HEAD CAP SCREW W/LOCKWASHER,10 - 24 X 1/2
3	286705-1		1	GEAR SHIFT ROD, LOWER (15 INCH TRANSOM MODELS)
4	1800		1	HEX BOLT, L/4 - 20 X 7
5	338618-1		1	SEAL, SHIFT ROD LOWER
6	430732		4	HEX HEAD SCREW, 1/4 - 20 X L
7	A715554		1	GEAR HOUSING UPPER W/BEARING, PLUGS AND SEALS
8	50109		2	PLUG, GEAR HOUSING
9	8186		2	WASHER, OIL PLUG
10	286555		1	GASKET, GEAR HOUSING
11	286008		1	STUD, REAR
12	8553		1	SPRING PIN
13	127910-2		1	BALL BEARING
14	819251A1		1	GEAR, BEVEI PINION W/BALL BEARING
15	286895		1	SPRING, CAM DETENT
16	286721		1	CAM, SHIFT
17	817749A1		1	GEAR HOUSING LOWER
	819483A1		1	GEAR HOUSING KIT (INCLUDES ALL ITEMS REQUIRED TO BUILD COMPLETE LOWER GEAR HOUSI
18	8083		1	SPRING LOCKWASHER
19	1490		1	HEX NUT, 1/4 - 20
20	456717		2	THRUST WASHER
21	819254A1		1	GEAR, BEVEL REAR W/BEARING
22	455305		1	SEAL, PROP SHAFT BEARING CAGE
23	817756A1		1	CAGE, PROP SHAFT BEARING W/BEARING END SEALS
24	346118		1	SEAL, PROP SHAFT
25	P6477		1	PROPELLER, 8 X 9-1/4, NYLON, 3 BLADE
26	817752A1		1	PROPELLER NUT W/COTTER PIN
27	1846		1	COTTER PIN
28	A324101		1	PROPELLER PIN, PACK OF 3 W/COTTER PIN
29	1493		2	HEAD SCREW, 1/4 - 20 X 5/8
30	286903		1	RACE, PROPELLER SHAFT BEARING
31	286901		1	BEARING, PROPELLER SHAFT
32	819252A1		1	GEAR, FRONT BEVEL W/BEARING
33	K1031-1		1	WATER PUMP KIT
34	286728		1	SHIFT PIN
35	819253		1	CLUTCH
36	8564		1	SPRING PIN
37	409719		1	SPRING, CLUTCH
38	456098		1	PROPELLER SHAFT
39	901307-2		2	SEAL, DRIVESHAFT
40	341562		1	WATER PUMP BACKPLATE
41	343128		1	DRIVESHAFT (15 INCH TRANSOM MODELS)

CONTINUED ON NEXT PAGE ➡

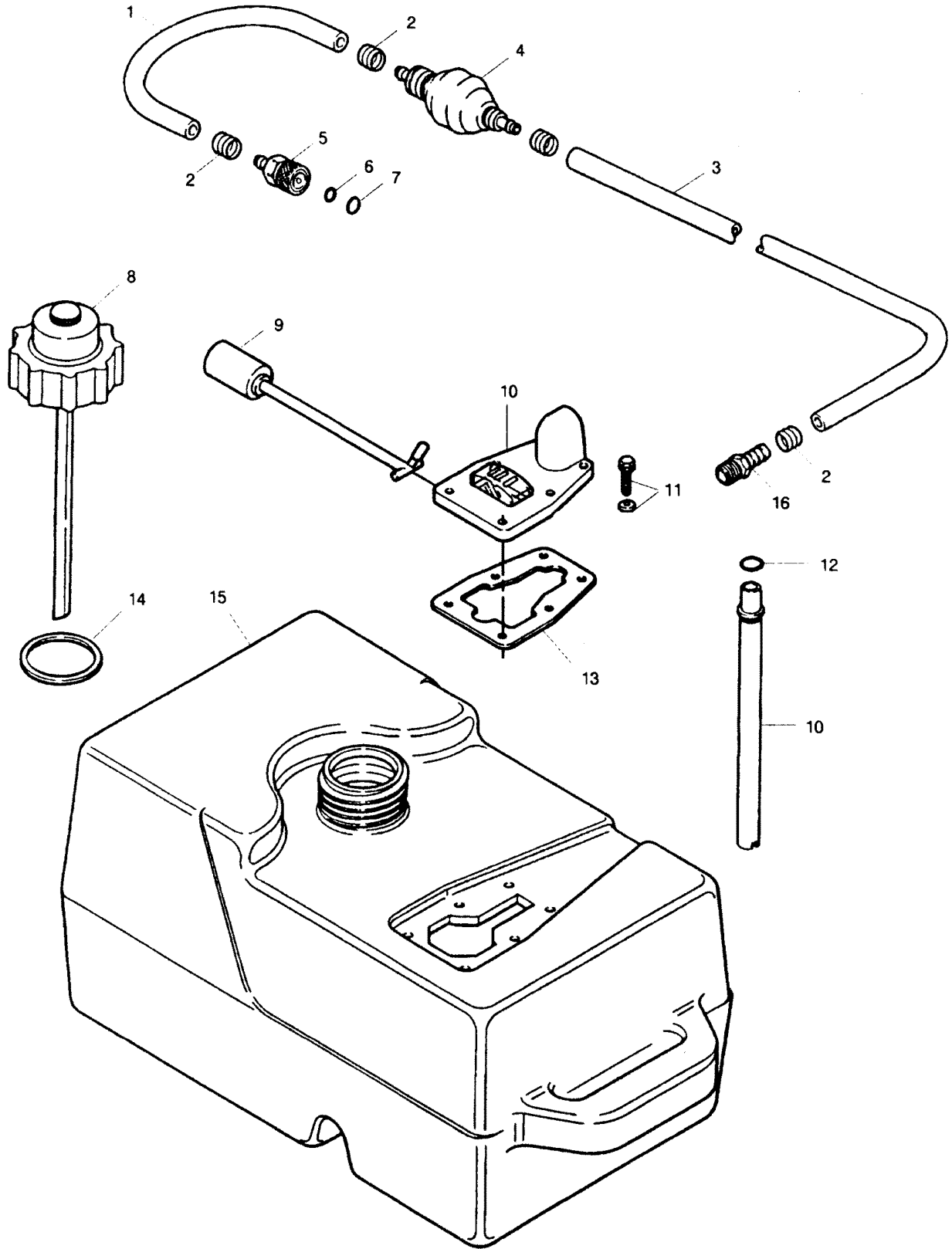
GEAR HOUSING



GEAR HOUSING

REF. NO.	PART NO.	SYM.	QTY.	DESCRIPTION
42	901563		1	PIN, IMPELLER DRIVE
43	436065-2		1	IMPELLER, WATER PUMP
44	A715060		1	WATER PUMP BODY W/DRIVESHAFT SEAL
45	2030		4	HEX HEAD SCREW, 1/4 - 20 X 1-L/4 S.S.
46	A510914		1	SEAL, WATER LINE
47	K1065		1	SEAL KIT

FUEL TANK AND LINE



FUEL TANK AND LINE

REF. NO.	PART NO.	SYM.	QTY.	DESCRIPTION
1	A84754-1		1	HOSE W/FERRULES
2	298788		4	FERRULE
3	A197752-1		1	HOSE W/CLAMP AND FERRULE
4	S387766-1		1	BULB, PRIME
5	197787-3		1	COUPLER
6	17815		1	SEAL
7	17816		1	SEAL
8	17821		1	CAP, FUEL TANK
9	17826		1	FLOAT
10	17828		1	GAUGE ASSEMBLY
11	17824		6	SCREW
12	17827		1	SEAL
13	17823		1	GASKET
14	17822		1	GASKET
15	819038A1		1	FUEL TANK W/LINE (6 GALLON)
16	702801		1	FITTING, FUEL
-	310398		2	DECAL, FUEL MIX (NOT SHOWN)

PARTS INDEX

Part Number	Description	Pg.	Ref. No.	Part Number	Description	Pg.	Ref. No.
010165	GASKET, INLET SEAT	9	19	1335	HEAD SCREW, 5/16 - 18 X L- L/4	19	7
010280	SCREW	9	7				
010588	PLUG	9	1	1341	HEX NUT, 1/4 - 20	21	29
011103	SPRING, IDLE MIXTURE	9	16	141118	SEAL, CRANKSHAFT LOWER	17	16
011764	JET, MAIN FUEL (.051) 7500 - 10000 FT.	9	20	1490	HEX NUT, 1/4 - 20	7	12
011765	JET, MAIN FUEL (.053) 5000 - 7500 FT.	9	20	1490	HEX NUT, 1/4 - 20	29	19
013554	FLOAT	9	9	1493	HEAD SCREW, 1/4 - 20 X 5/8	29	29
013944	PIN, FLOAT	9	10	1608	SQUARE NUT, 1/4 - 20	21	4
013945	SCREW, BOWL RETAINING	9	13	1666	BOWED SPRING WASHER	27	3
015366	BOWL, FUEL	9	11	1704	LOCKWASHER, #6 S.S.	7	3
015520	NEEDLE, IDLE MIXTURE	9	15	1755	ROUND HEAD SCREW W/LOCKWASHER, 6 - 32 X 5/16	7	2
015623	GASKET, FUEL BOWL	9	12				
015736	SHAFT, CHOKE	9	5	17815	SEAL	33	6
02510	GASKET, BOWL RETAINING	9	14	17816	SEAL	33	7
02531	PLUG	9	2	17821	CAP, FUEL TANK	33	8
04784	BALL	9	3	17822	GASKET	33	14
08805	SPRING	9	4	17823	GASKET	33	13
10236	SHUTTER, CHOKE	9	6	17824	SCREW	33	11
10237	INLET SEAT, NEEDLE AND GASKET	9	18	17826	FLOAT	33	9
10238	NOZZLE, MAIN	9	21	17827	SEAL	33	12
10240	SHAFT, THROTTLE LINKAGE	9	23	17828	GAUGE ASSEMBLY	33	10
10241	E-RING	9	24	1794	SPRING PIN	21	11
10242	WASHER	9	25	1799	TRUSS HEAD SCREW, 5/16 - 18 X 5/8	23	23
10246	SPRING, THROTTLE SHAFT RETURN	9	28	1800	HEX BOLT, L/4 - 20 X 7	29	4
10247	JET, MAIN FUEL (.055) 2500 - 5000 FT.	9	20	1803	STOP NUT, 5/16 - 24	23	8
10260	JET, MAIN FUEL (.057) SEA LEVEL - 2500 FT.	9	20	1804	STOP NUT, 10 - 32	5	17
10265	NEEDLE, INLET	9	17	1805	SPRING PIN	23	15
10290	FOLLOWER, THROTTLE CAM	9	22	1806	GROOVE PIN	21	16
10328	SCREW, THROTTLE SHUTTER	9	30	1807	GROOVE PIN	23	17
10338	WIRE, THROTTLE LINKAGE	9	26	18160-3	REED, FUEL PUMP	7	28
10339	SHAFT, THROTTLE	9	27	1820	HEAD SCREW, 1/4 - 20 X 1- 3/8	21	7
10354	SHUTTER, THROTTLE	9	29	1823	HEX HEAD CAP SCREW, 5/16 - 18 X 1	19	12
1069	HEAD SCREW, 10 - 24 X 1- 1/16	7	23	1829	HEAD SCREW, 10 - 24 X 7/8	23	35
1090	SCREW W/LOCKWASHER,10 - 24 X 9/16	13	10	1832	LOCKNUT 1/4 - 20	5	9
1090	SCREW, 10 - 24 X 9/16	13	24	1832	LOCKNUT, 1/4 - 20	15	8
1090	SCREW, FILL. HEAD 10 - 24 X 9/16	15	9	1832	LOCKNUT, 1/4 - 20 S.S.	3	10
1107	HEAD SCREW, 1/4 - 20 X 3/4	19	6	183813	BEARING, MAGNETO CONTROL LEVER	23	4
1111	HEAD SCREW, 1/4 - 20 X 7/8	17	1	1846	COTTER PIN	29	27
12088	GROMMET	13	18	1854	HEX HEAD CAP SCREW,L/4 - 20 X 5/8	3	23
12376	WIRE, MAGNETO SHORTING	13	4	1859	HEX HEADLESS SOCKET SET SCREW	23	26
12377	STATOR, PLATE W/LAMINATIONS	13	15	1864	SCREW, HEX HEAD 1/4 - 20 X 3/4 S.S.	15	2
12378	SPRING, COIL WEDGE	13	17	18906	GASKET, CARBURETOR	7	11
12380	SCREW (PLASTIC)	13	8	1907	WASHER	21	5
12381	WASHER (PLASTIC)	13	9	1922	HEX CAP SCREW,1/4 - 20	23	13
12382	SCREW	13	11	1922	HEX HEAD SCREW, 1/4 - 20 X 5/8	7	17
127910-2	BALL BEARING	29	13	1976	SOCKET HEAD CAP SCREW W/LOCKWASHER,10 - 24 X 1/2	29	2
1286	PAN HEAD SCREW, 4 - 40 X 3/16	7	26	197767-2	BUSHING (FUEL LINE)	7	36
				197787-3	COUPLER	33	5

PARTS INDEX

Part Number	Description	Pg.	Ref. No.	Part Number	Description	Pg.	Ref. No.
1978	SPRING PIN	23	25	286364	LEVER, REVERSE LOCK	21	LO
197813	BEARING	21	9	286414	SPRING, LEG WATER BRACKET	21	39
197813	BEARING	23	31	286422-1	PIVOT	27	2
197813	BEARING, STEERING HANDLE STOP	23	20	286422-1	PIVOT, TILT LOCK	21	19
2008	HEX HEAD SCREW, 1/4 - 20 X 7/8	7	13	286433	BRACKET, REVERSE LOCK	21	24
2008	HEX HEAD SCREW, 1/4 - 20 X 7/8	19	2	286440	STUD, MAGNETO CONTROL LEVER	23	1
2014	WASHER	27	19	286451	SPACER	27	4
2030	HEX HEAD SCREW, 1/4 - 20 X 1-L/4 S.S.	31	45	286451	SPACER, TILT LOCK	21	20
2042	WASHER	3	2	286461	SPRING, LOCK BAR HANDLE	27	14
2126	SLOTTED FILL. HEAD SCREW, 1/4 - 28 X 2	23	3	286490	STOP, STEERING HANDLE	23	21
213274	FITTING, GREASE	21	26	286509	LINK, THROTTLE CAM	23	2
213274	FITTING, GREASE	23	16	286529-3	GASKET, CYLINDER HEAD	19	13
215795	SEAL (SMALL)	23	37	286539	BUMPER	23	10
2209	PAN HEAD SELF TAPPING SCREW 10 - 16	5	4	286544-1	SPRING, TILT STOP	27	5
2209	SCREW, PAN HEAD 10 - 16 X 1/2 S.S.	15	14	286547	KNOB, CHOKE	11	38
2210	SCREW, PAN HEAD 1/4 - 14 X 112 S.S.	15	18	286555	GASKET, GEAR HOUSING	29	10
2211	HEX HEAD CAP SCREW, 10 - 24 X 5/8 S.S.	3	1	286571	CENTER MAIN BEARING ROLLER SET (26 PER SET)	17	9
2215	SCREW	9	33	286573-1	CLAMP, STEERING FRICTION	21	6
24074	FOOT, CLAMP SCREW	27	12	286611-2	ROD, GEARSHIFT	5	18
24748-2	GASKET, FUEL PUMP	7	25	286615	GEAR SHIFT ROD, UPPER	29	1
2706772	HOSE CLAMP	7	14	286615	ROD, GEARSHIFT UPPER	5	13
2788004	STUD, CARBURETOR	7	10	286634-1	SCREW, CONNECTING ROD	17	13
286008	STUD, REAR	29	11	286647	HANDLE, CARRYING	27	7
286011	WASHER, SWIVEL BRACKET	21	2	286685	CONNECTOR, GEARSHIFT ROD	5	20
286019	KINGPIN	21	28	286705-1	GEAR SHIFT ROD, LOWER (15 INCH TRANSOM MODELS)	29	3
286028	BEARING, CRANKSHAFT UPPER	17	7	286721	CAM, SHIFT	29	16
286080	SCREW, STEERING HANDLE PIVOT	23	18	286728	SHIFT PIN	29	34
286114	HANDLE, LOCK BAR	27	16	286772-1	CLAMP	7	18
286134	STUD, GEARSHIFT LEVER	5	27	286818	BEARING	23	29
286159-1	GASKET, REED PLATE	7	5	286827	LEVER, REVERSE LOCK	21	15
286169	BEARING, LOWER SWIVEL BRACKET	21	27	286868	SPRING, STEERING HANDLE STOP	23	19
286169	BEARING, SWIVEL BRACKET	21	3	286871	PIN, GEARSHIFT LEVER	5	25
286220	WASHER, STEERING HANDLE	23	32	286876	LEVER, GEARSHIFT	5	23
286222	COVER, TRANSFER PORT	7	31	286895	SPRING, CAM DETENT	29	15
286223	GASKET, TRANSFER PORT COVER	7	32	286901	BEARING, PROPELLER SHAFT	29	31
286224-1	INSERT, STEERING HANDLE PIVOT	23	30	286903	RACE, PROPELLER SHAFT BEARING	29	30
286244	LINE, WATER	21	35	286914-1	SLEEVE, WATER LINE	21	36
286277	GASKET, CRANKSHAFT BEARING CAGE	17	5	286956	BRACKET, SHOCK MOUNT LOWER	21	30
286282	WASHER	23	7	286989-2	SEAL, SUPPORT PLATE	3	16
286286-1	WASHER	21	18	289664	WIRE, STATOR GROUND	13	14
286300	SPRING, REVERSE LOCK	21	25	298788	FERRULE	33	2
286346	MOUNT, LOWER SHOCK	21	34	2A24757	PLATE, FUEL PUMP W/REEDS	7	29
286349	REVERSE LOCK	21	23	2A681018	CRANKSHAFT W/UPPER MAIN BEARING	17	6
				2B6347	MOUNT, UPPER SHOCK	21	1

PARTS INDEX

Part Number	Description	Pg.	Ref. No.	Part Number	Description	Pg.	Ref. No.
307818	BEARING	3	19	681132	HANDLE, STARTER ROPE	15	21
307818	BEARING	5	26	681134	STUD	5	6
307818	BEARING	23	14	681232	ROPE	15	10
310398	DECAL, FUEL MIX (NOT SHOWN)	33	-	681243	HOSE (PRIME BULB TO CARBURETOR)	7	35
31160-2	REED	7	6	681263-1	LINK, INTERLOCK	5	15
31410	RETAINING RING, PISTON PIN	17	18	681390	DECAL, START PROCEDURE	3	24
338618-1	SEAL, SHIFT ROD LOWER	29	5	681408-1	HOUSING	15	1
341384	RETAINER, CHOKE ROD	11	40	681424	SPRING, INTERLOCK	5	5
341562	WATER PUMP BACKPLATE	29	40	681427-2	BRACKET	15	3
341693	WEDGE, STEERING HANDLE	23	33	681428	INSERT, STARTER HOUSING ROPE	15	5
343014	BEARING, CRANKSHAFT LOWER MAIN	17	15	681490	STOP, STARTER INTERLOCK	5	1
343128	DRIVESHAFT (15 INCH TRANSOM MODELS)	29	41	681531-1	ROD, INTERLOCK	5	10
346118	SEAL, PROP SHAFT	29	24	681579	SEAL	15	12
346146	SEAL, CRANKSHAFT UPPER	17	2	681592	RETAINER, STARTER PULLEY	15	13
392756	PACKING	3	13	681741	RING, RETAINING	15	4
40253-1	FUEL LINE (SUPPORT PLATE TO FUEL PUMP)	7	15	681742	LEVER, INTERMEDIATE INTERLOCK	5	16
409719	SPRING, CLUTCH	29	37	681759	ROLLER, LATCH	3	11
424075	HANDLE, CLAMP SCREW	27	11	681817	RETAINER, STARTER ROPE	15	20
424161	REED STOP, 9.9 HP	7	4	681874	FASTENER, HANDLE SUPPORT PLATE	15	19
429472	GASKET, CYLINDER DRAIN COVER	7	21	681954	COVER, PRIME BULB	7	33
429541	LOCK, TILT	27	6	681970	SPRING, STARTER REWIND	15	6
429811	SCREEN	7	20	681971	PLUG	15	7
430732	HEX HEAD SCREW, 1/4 - 20 X L	29	6	681997-1	LEVER, NEUTRAL SPEED INTERLOCK	5	8
430732	SCREW, S.S.	21	41	687287	SWITCH, EMERGENCY STOP	13	6
431838	SHAFT, MAGNETO CONTROL	23	9	688133	LEG, MOTOR	21	37
436065-2	IMPELLER, WATER PUMP	31	43	688585	DECAL, START PROCEDURE	27	21
436280	NUT, SHORTING SWITCH	13	13	688585	DECAL, TILT LOCK	21	21
455305	SEAL, PROP SHAFT BEARING CAGE	29	22	7009	LOCKNUT, 10 - 24 S.S.	3	4
456098	PROPELLER SHAFT	29	38	702329	LANYARD	13	7
456717	THRUST WASHER	29	20	7026	STOP NUT, 3/8 - 16	27	18
458498-1	KEY, MAGNETO	13	23	702801	FITTING, FUEL	33	16
458677	INSERT, CHOKE KNOB	11	37	703269	HANDLE, TILT	3	3
458695	SLEEVE	25	42	703518	HEAD, CYLINDER	19	14
461342	SEAL, DRIVESHAFT SPLINE	17	14	709396	DECAL, STARBOARD	3	8
481777	CAM, LATCH	3	21	709397	DECAL, PORT	3	8
487816-1	BEARING, STEERING HANDLE	23	36	709528	DECAL, REAR	3	7
50109	PLUG, GEAR HOUSING	29	8	709894	INDICATOR, STEERING HANDLE	25	44
525286	WASHER	21	14	712017	PIN, PISTON	17	19
536813	BEARING	21	12	712475	COIL	13	16
53795-1	SEAL (LARGE)	23	38	714061	CARBURETOR COMPLETE (HO5A)	9	34
617192	PLATE, THROTTLE CAM	13	25	714061	CARBURETOR, COMPLETE	7	37
618445	LINK, MAGNETO SHAFT	23	6	715015	PISTON	17	17
66480	STUD, CLAMP SCREW	27	13	715151	PLATE, EXHAUST	19	4
681003-1	ARM, STARTER INTERLOCK	5	2	715152	COVER, EXHAUST	19	1
681008	STUD	5	7	715154	GASKET, EXHAUST COVER	19	3
681026	SCREW, LATCH ROLLER	3	12	715168	GASKET, MANIFOLD	7	8
681033	SWIVEL	9	32	715279-1	GASKET, CYLINDER MOUNT	19	10
681046	BULB, PRIME	7	34				
681090	PLATE, HANDLE SUPPORT	15	17				
681091	NUT, FLYWHEEL	13	1				

PARTS INDEX

Part Number	Description	Pg.	Ref. No.	Part Number	Description	Pg.	Ref. No.
715614	HANDLE, GEARSHIFT	5	29	819279	HANDLE, STEERING	23	39
715619	LEVER, SHIFT HANDLE			819280	SUPPORT PLATE	3	14
	SHAFT	5	30	819281	PLATE, FRONT	3	15
73082	RING, MAGNETO STATOR	17	4	819348	ROD, CHOKE	11	39
73336	PLUG	3	17	819379A1	WIRE	13	26
8003	PLAIN WASHER	7	27	819483A1	GEAR HOUSING KIT		
8025	PLAIN WASHER	19	16		(INCLUDES ALL ITEMS		
8048	BOWED SPRING WASHER	5	19		REQUIRED TO BUILD		
8048	BOWED WASHER	3	20		COMPLETE LOWER GEAR		
8058	INTERNAL TOOTH				HOUSI	29	17
	LOCKWASHER	5	22	84026	SCREW, SHOULDER	5	12
8058	INTERNAL TOOTH			84026	SCREW, SHOULDER	15	15
	LOCKWASHER	23	34	8537	SPRING PIN	27	8
8060	EXTERNAL TOOTH			8538	SPRING PIN	21	8
	LOCKWASHER	23	12	8540	SPRING PIN	27	15
8083	SPRING LOCKWASHER	3	22	8542	SPRING PIN	5	24
8083	SPRING LOCKWASHER	21	31	8547	SPRING PIN	5	28
8083	SPRING LOCKWASHER	29	18	8548	SPRING PIN	25	41
8088	WASHER	9	31	8553	SPRING PIN	29	12
8143	WASHER, PLAIN #10	5	3	8554	SPRING PIN	27	10
816514	BEARING, CONTROL ROD	5	11	8559	DOWEL PIN	19	8
817749A1	GEAR HOUSING LOWER	29	17	85610	BEARING	23	28
817750A2	BRACKET, SWIVEL			8564	SPRING PIN	29	36
	W/GREASE FITTING AND			901307-2	SEAL, DRIVESHAFT	29	39
	LOWER BEARING	21	17	901307-2	SEAL, MOTOR LEG	21	38
817751A2	BRACKET, STEERING			901563	PIN, IMPELLER DRIVE	31	42
	HANDLE W/GREASE			901746-2	COVER, FUEL PUMP	7	24
	FITTING	23	22	901754	FUEL LINE (FUEL PUMP TO		
817752A1	PROPELLER NUT				CARBURETOR)	7	16
	W/COTTER PIN	29	26	901811	FILTER, FUEL	7	22
817753A1	CAGE, CRANKSHAFT			901938-1	SCREW, CYLINDER HEAD	19	15
	W/SEAL	17	3	9030	RETAINER	11	41
817755A1	CONNECTING ROD LINER			98273	STUD, GEARSHIFT ROD		
	SET (2 PER SET)	17	10		CONNECTOR	5	21
817756A1	CAGE, PROP SHAFT			A1844	HEX BOLT		
	BEARING W/BEARING				W/LOCKWASHER, 1/4 - 20		
	END SEALS	29	23		X 2-3/8 S.S.	21	32
817761A2	CLAMP SCREW W/HANDLE			A197752-1	HOSE W/CLAMP AND		
	AND FOOT	27	9		FERRULE	33	3
817952A1	SWITCH, STOP W/NUT	13	5	A286155	CENTER MAIN BEARING		
817996--2	SPARK PLUG (CHAMPION L-				LINER SET (2 PER SET)	17	8
	82C)	13	21	A286582	ARM, STEERING W/BUMPER		
818009--1	GEAR, MAGNETO CONTROL				AND SPRING PIN	23	11
	SHAFT	23	27	A324101	PROPELLER PIN, PACK OF		
818029	DECAL, FUEL MIX	21	42		3 W/COTTER PIN	29	28
818043A1	FUEL PUMP DIAPHRAGM			A341510	LINK, REVERSE LOCK	21	22
	W/GASKETS	7	30	A343178	RETAINER W/SET SCREW	23	24
818046A1	ROD, CONNECTING W/CAP			A387742	LEVER, REVERSE LOCK		
	AND SCREWS	17	12		INTERMEDIATE	21	13
8186	WASHER, OIL PLUG	29	9	A429471	COVER, CYLINDER DRAIN		
819029	DECAL, FUEL MIX	27	20		WITH CHECK VALVES		
819038A1	FUEL TANK W/LINE (6				AND SCREENS	7	19
	GALLON)	33	15	A456137	GRIP, STEERING HANDLE		
819160	SHAFT, STEERING HANDLE	25	40		W/SLEEVE	25	43
819251A1	GEAR, BEVEI PINION			A472260	RING SET, PISTON (4 PER		
	W/BALL BEARING	29	14		SET)	17	20
819252A1	GEAR, FRONT BEVEL			A510914	SEAL, WATER LINE	31	46
	W/BEARING	29	32	A517228	CONNECTING ROD ROLLER		
819253	CLUTCH	29	35		SET (2 PER SET)	17	11
				A609853	DECAL, SHIFT WARNING	13	2

PARTS INDEX

Part Number	Description	Pg.	Ref. No.	Part Number	Description	Pg.	Ref. No.
A617113	LOCK BAR W/HANDLE	27	17				
A681239	STARTER PULLEY ASSEMBLY W/PLUG AND SEAL	15	11				
A681469	HANDLE, COVER LATCH . .	3	18				
A681630	SUPPORT, HANDLE	15	16				
A709010	CYLINDER	19	5				
A714097	FLYWHEEL W/DECAL	13	3				
A714167	MANIFOLD W/STUDS	7	9				
A715060	WATER PUMP BODY W/DRIVESHAFT SEAL . . .	31	44				
A715081	LEVER, MAGNETO CONTROL	23	5				
A715158	REED PLATE W/REEDS AND REED STOPS - 9.9 HP . . .	7	7				
A715554	GEAR HOUSING UPPER W/BEARING, PLUGS AND SEALS	29	7				
A84754-1	HOSE W/FERRULES	33	1				
C709010	SHORT BLOCK	7	1				
C709010	SHORT BLOCK (CYLINDER WITH CRANKSHAFT, PISTONS AND RODS INSTALLED)	19	-				
G1036	GASKET SET (INCLUDES ALL GASKETS AND SEALS REQUIRED TO REBUILD POWER HEAD)	19	17				
K10294	GASKET SET	9	35				
K10295	REPAIR KIT	9	36				
K1031-1	WATER PUMP KIT	29	33				
K1065	SEAL KIT	31	47				
K1123	SPARKIE W/SPRING	13	20				
P6477	PROPELLER, 8 X 9-1/4, NYLON, 3 BLADE	29	25				
S387766-1	BULB, PRIME	33	4				
S617532	STERN BRACKET W/CLAMP SCREW	27	1				
S681712	COVER, BASIC (UNPAINTED)	3	5				