



# PARTS CATALOG

## 9.9 H.P. LONG SHAFT 20" LEG OUTBOARD MOTOR

### SERIAL NUMBER

9.9 H.P. (1991) .....225.581984

# TABLE OF CONTENTS:

CARBURETOR .....	8
CRANKSHAFT AND PISTON .....	16
CYLINDER .....	18
ENGINE COVER AND SUPPORT PLATE .....	2
FUEL INTAKE AND RECIRCULATION SYSTEM .....	6
FUEL TANK AND LINE .....	34
GEAR HOUSING .....	30
IGNITION SYSTEM .....	12
MOTOR LEG AND SWIVEL BRACKET .....	20
PARTS INDEX .....	36
SHIFT LINKAGE .....	4
STARTER .....	14
STERN BRACKETS .....	28
TILLER HANDLE AND THROTTLE LINKAGE .....	24

**NOTE:** *Indented description indicate that these parts are included in preceeding assembly.*

**AR** = As Required

**NSS** = Not Sold Seperate

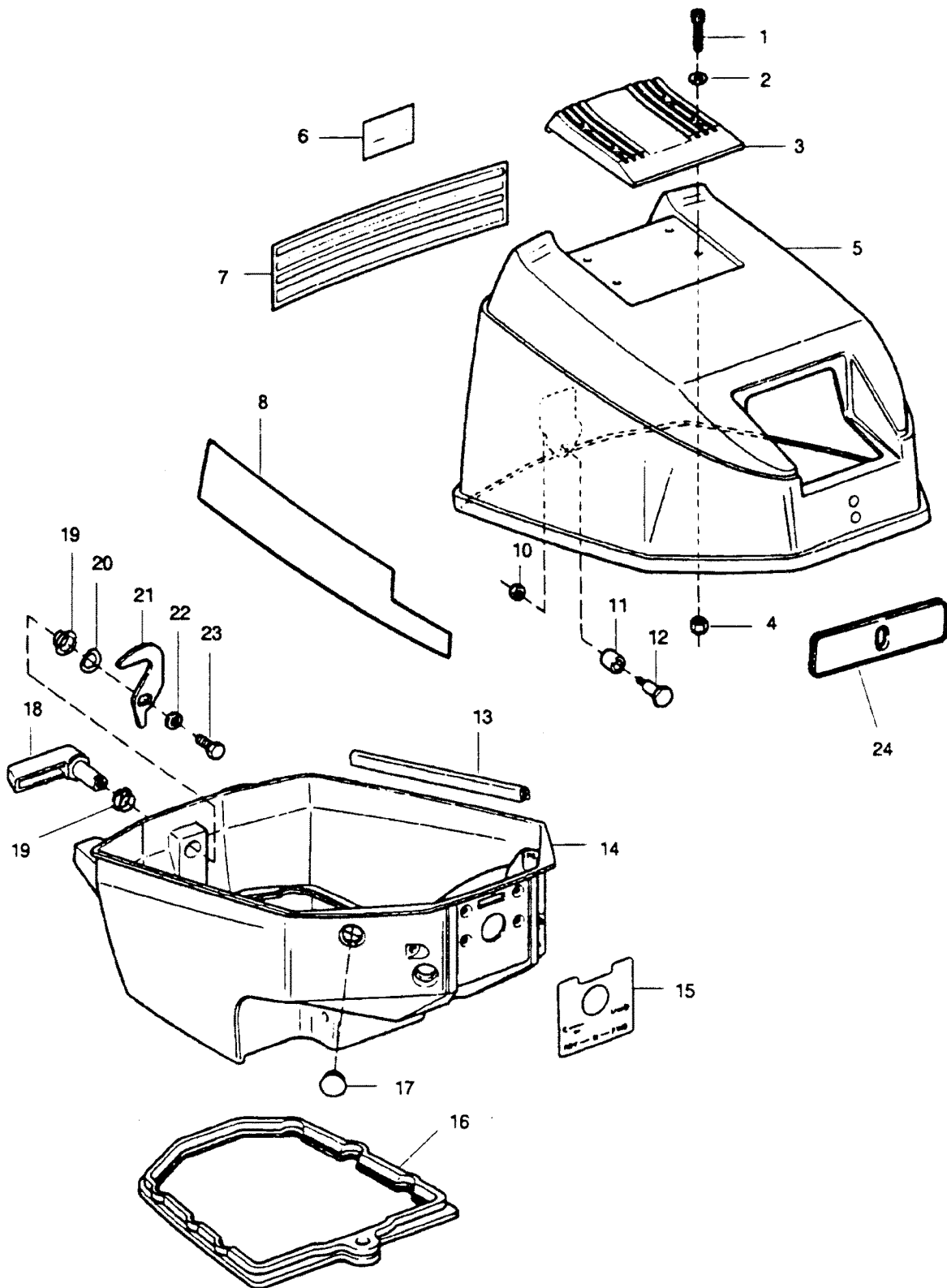
**OPT** = Optional

**NS** = Not Shown

**THESE PARTS BOOKS/FICHE CARD ARE COPYRIGHTED AND MAY NOT BE DISTRIBUTED OR REPRODUCED IN ANY OTHER FORMAT BY ANYONE OTHER THAN MERCURY MARINE WITHOUT THE PRIOR WRITTEN CONSENT OF MERCURY MARINE.**

THIS PAGE INTENTIONALLY LEFT BLANK

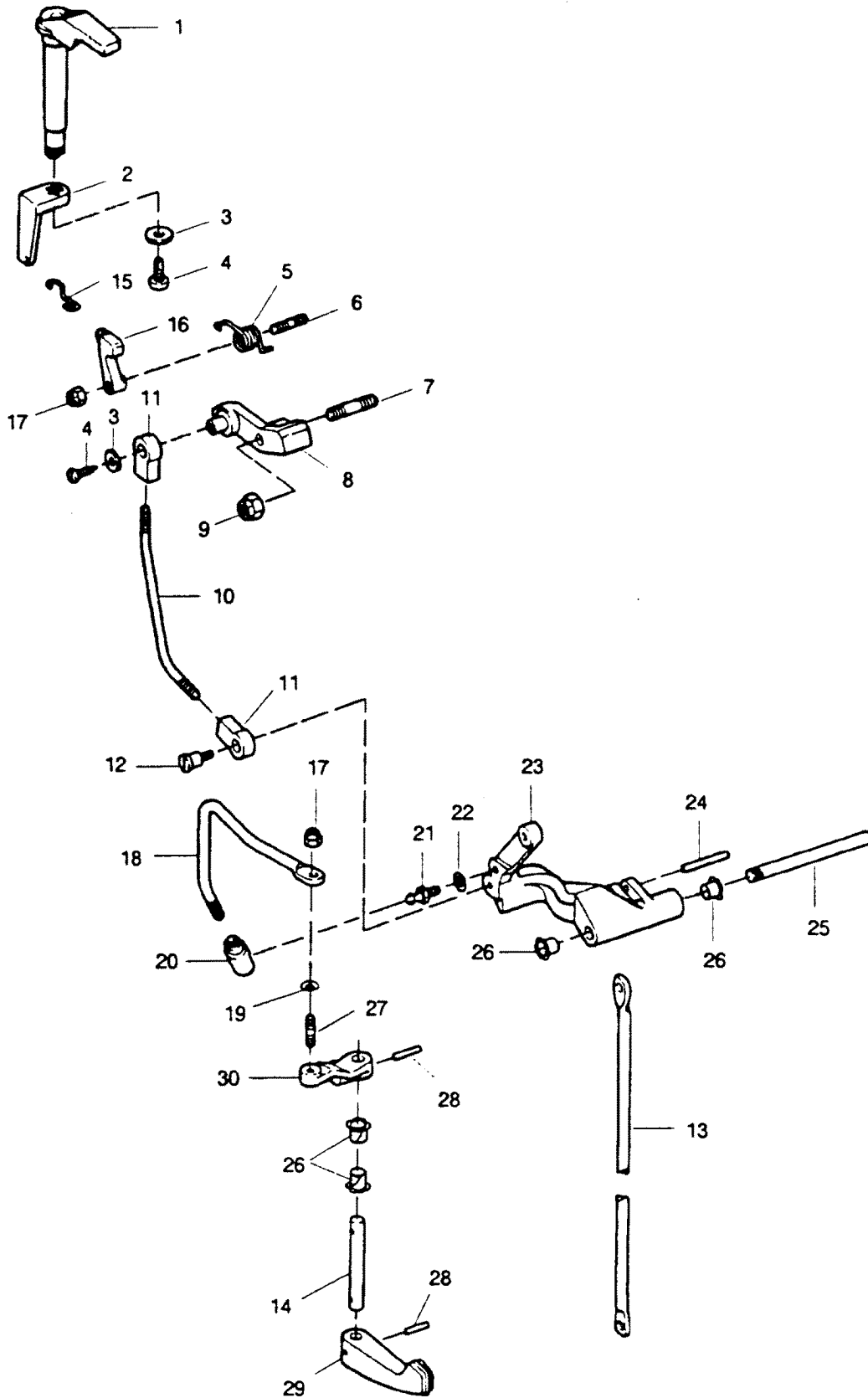
# ENGINE COVER AND SUPPORT PLATE



## ENGINE COVER AND SUPPORT PLATE

REF. NO.	PART NO.	SYM.	QTY.	DESCRIPTION
1	2211		4	HEX HEAD CAP SCREW, 10 - 24 X 5/8 S.S.
2	2042		4	WASHER
3	703269		1	HANDLE, TIIT
4	7009		4	LOCKNUT, 10 - 24 S.S.
5	S681712		1	COVER, BASIC (UNPAINTED)
	2C709712			COVER, COMPLETE (PAINTED W/DECAIS)
7	709528		1	DECAL, REAR
8	709396		1	DECAL, STARBOARD
	709397		1	DECAL, PORT
10	1832		1	LOCKNUT, 1/4 - 20 S.S.
11	681759		1	ROLLER, LATCH
12	681026		1	SCREW, LATCH ROLLER
13	392756		1	PACKING
14	819280		1	SUPPORT PLATE
15	819281		1	PLATE, FRONT
16	286989-2		1	SEAL, SUPPORT PLATE
17	73336		2	PLUG
18	A681469		1	HANDLE, COVER LATCH
19	307818		2	BEARING
20	8048		1	BOWED WASHER
21	481777		1	CAM, LATCH
22	8083		1	SPRING LOCKWASHER
23	1854		1	HEX HEAD CAP SCREW, 1/4 - 20 X 5/8
24	681390		1	DECAL, START PROCEDURE

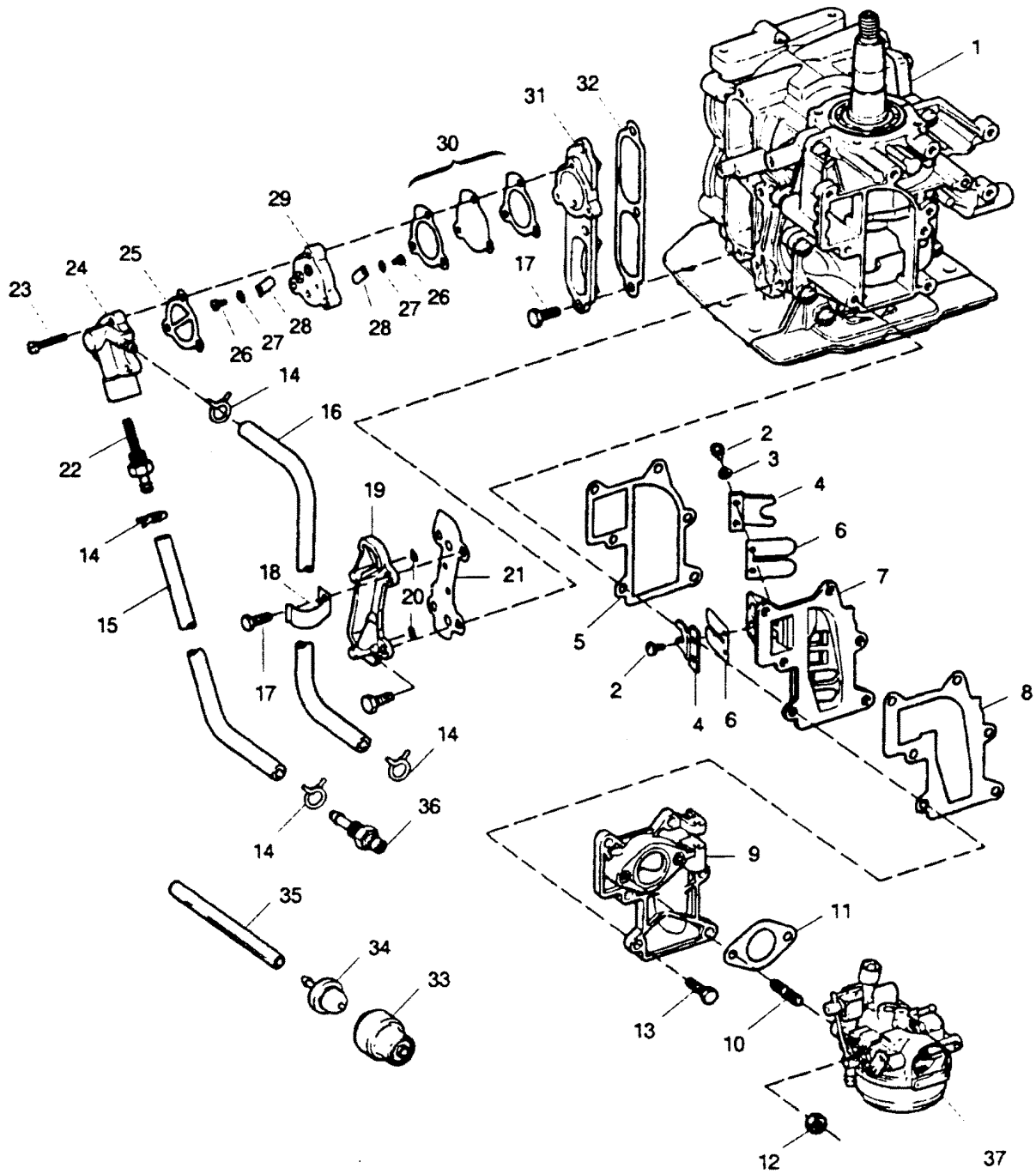
# SHIFT LINKAGE



# SHIFT LINKAGE

REF. NO.	PART NO.	SYM.	QTY.	DESCRIPTION
L	681490		1	STOP, STARTER INTERIOCK
2	681003-1		1	ARM, STARTER INTERLOCK
3	8143		1	WASHER, PLAIN #10
4	2209		1	PAN HEAD SELF TAPPING SCREW 10 - 16
5	681424		1	SPRING, INTERLOCK
6	681134		1	STUD
7	681008		1	STUD
8	681997-1		1	LEVER, NEUTRAL SPEED INTERLOCK
9	1832		1	LOCKNUT 1/4 - 20
10	681531-1		1	ROD, INTERLOCK
11	816514		2	BEARING, CONTROL ROD
12	84026		1	SCREW, SHOULDER
13	286615		1	ROD, GEARSHIFT UPPER
14	715417		1	SHAFT, GEARSHITT HANDLE
15	681263-1		1	LINK, INTERLOCK
16	681742		1	LEVER, INTERMEDIATE INTERLOCK
17	1804		2	STOP NUT, 10 - 32
18	286611-2		1	ROD, GEARSHIFT
19	8048		1	BOWED SPRING WASHER
20	286685		1	CONNECTOR, GEARSHITT ROD
21	98273		1	STUD, GEARSHIFT ROD CONNECTOR
22	8058		1	INTERNAL TOOTH LOCKWASHER
23	286876		1	LEVER, GEARSHIFT
24	8542		1	SPRING PIN
25	286871		1	PIN, GEARSHIFT LEVER
26	307818		4	BEARING
27	286134		1	STUD, GEARSHIFT LEVER
28	8547		2	SPRING PIN
29	715614		1	HANDLE, GEARSHITT
30	715619		1	LEVER, SHIFT HANDLE SHAFT

# FUEL INTAKE AND RECIRCULATION SYSTEM

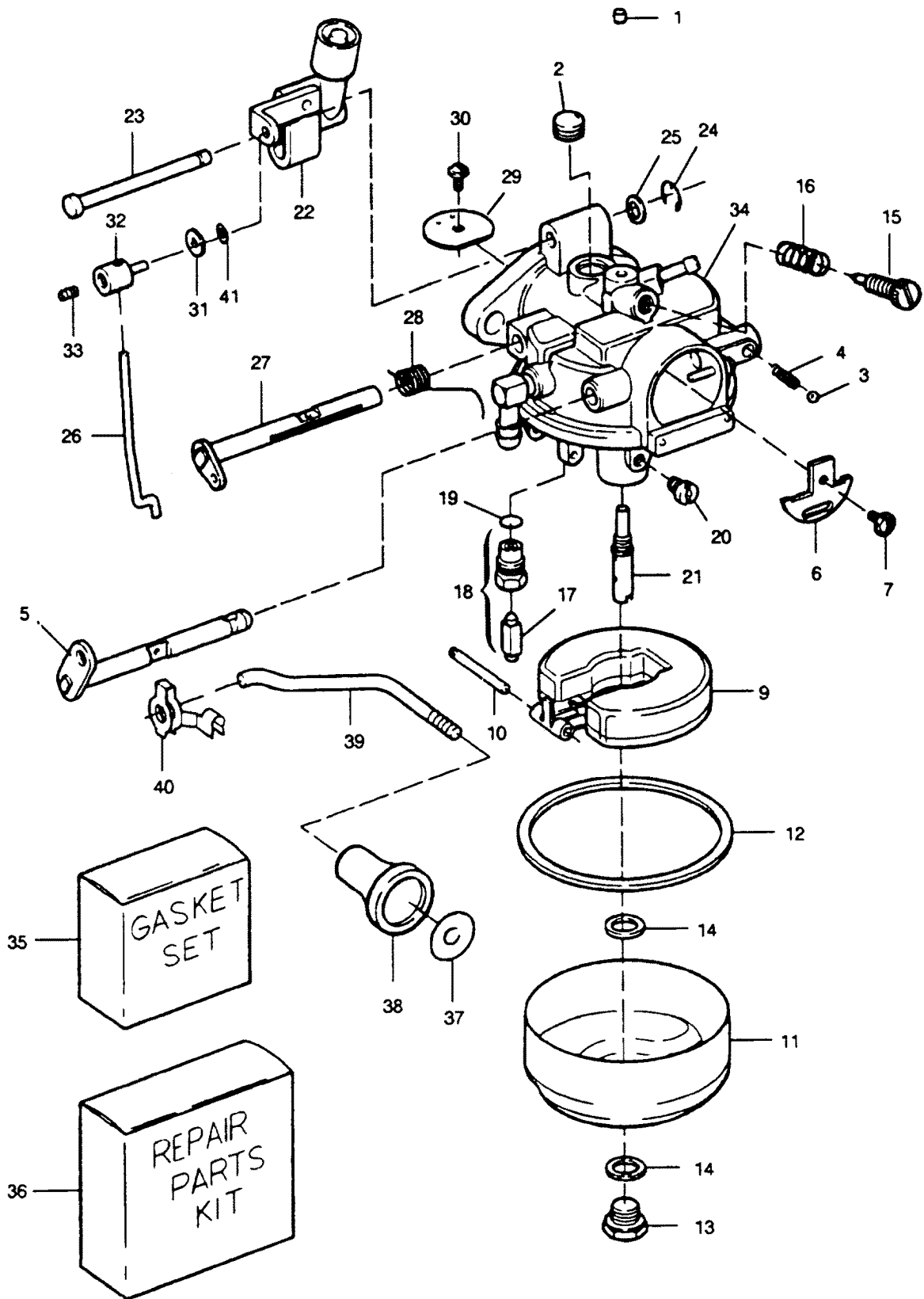




## FUEL INTAKE AND RECIRCULATION SYSTEM

REF. NO.	PART NO.	SYM.	QTY.	DESCRIPTION
1	C709010		1	SHORT BLOCK
2	1755		8	ROUND HEAD SCREW W/LOCKWASHER, 6 - 32 X 5/16
3	1704		2	LOCKWASHER, #6 S.S.
4	424161		4	REED STOP, 9.9 HP
5	286159-1		1	GASKET, REED PLATE
6	31160-2		4	REED
7	A715158		1	REED PLATE W/REEDS AND REED STOPS - 9.9 HP
8	715168		1	GASKET, MANIFOLD
9	A714167		1	MANIFOLD W/STUDS
10	2788004		2	STUD, CARBURETOR
11	18906		1	GASKET, CARBURETOR
12	1490		2	HEX NUT, 1/4 - 20
13	2008		6	HEX HEAD SCREW, 114 - 20 X 7/8
14	2706772		4	HOSE CLAMP
15	40253-1		1	FUEL LINE (SUPPORT PLATE TO FUEL PUMP)
16	901754		1	FUEL LINE (FUEL PUMP TO CARBURETOR)
17	1922		7	HEX HEAD SCREW, 1/4 - 20 X 5/8
18	286772-1		1	CLAMP
19	A429471		1	COVER, CYLINDER DRAIN WITH CHECK VALVES AND SCREENS
20	429811		2	SCREEN
21	429472		1	GASKET, CYLINDER DRAIN COVER
22	901811		1	FILTER, FUEI
23	1069		3	HEAD SCREW, 10 - 24 X 1-1/16
24	901746-2		1	COVER, FUEL PUMP
25	24748-2		1	GASKET, FUEL PUMP
26	1286		2	PAN HEAD SCREW, 4 - 40 X 3/16
27	8003		2	PLAIN WASHER
28	18160-3		2	REED, FUEL PUMP
29	2A24757		1	PLATE, FUEL PUMP W/REEDS
30	818043A1		1	FUEL PUMP DIAPHRAGM W/GASKETS
31	286222		1	COVER, TRANSFER PORT
32	286223		1	GASKET, TRANSFER PORT COVER
33	681954		1	COVER, PRIME BULB
34	681046		1	BULB, PRIME
35	681243		1	HOSE (PRIME BULB TO CARBURETOR)
36	197767-2		1	BUSHING (FUEL LINE)
37	714061		1	CARBURETOR, COMPLETE

# CARBURETOR

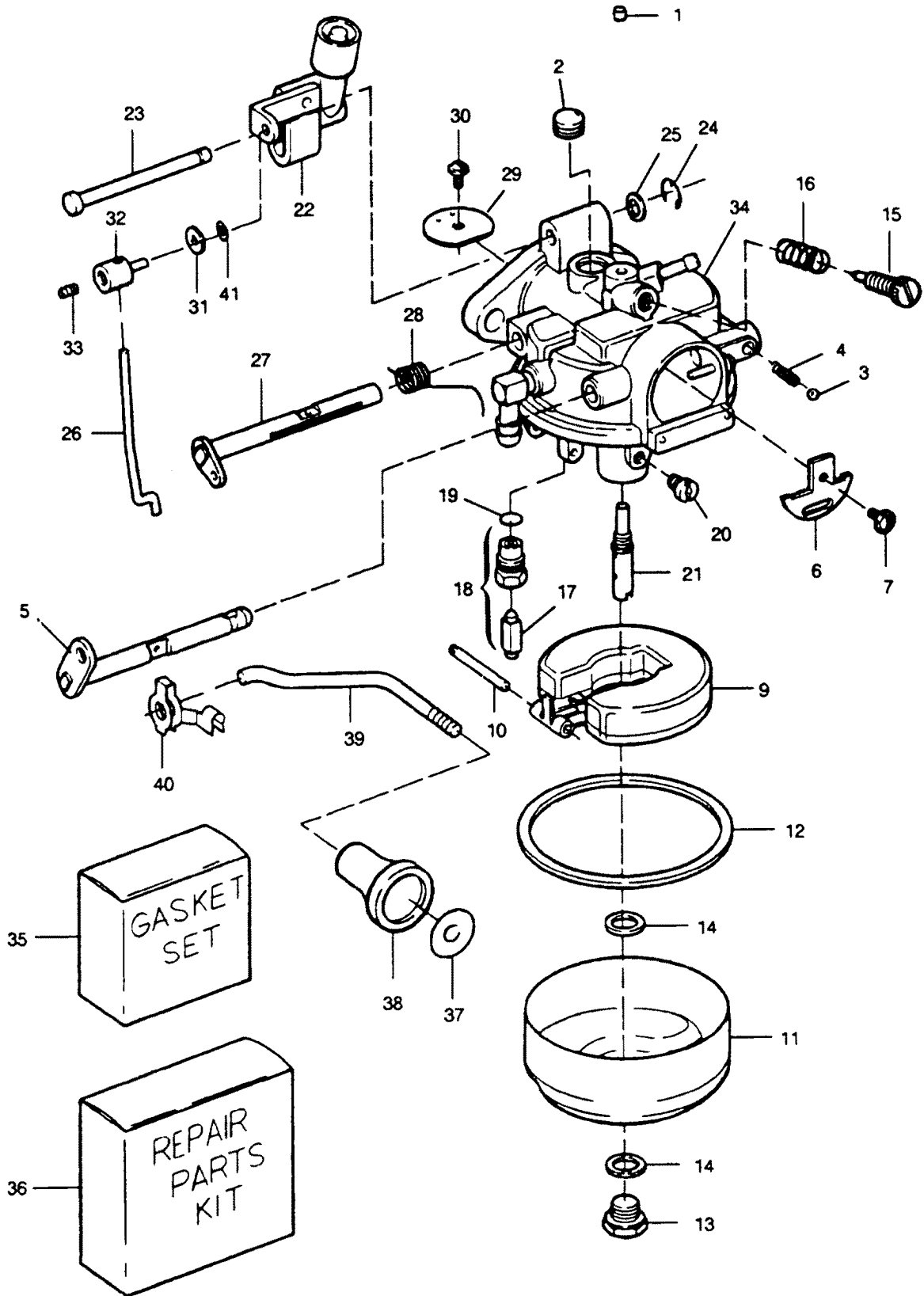


# CARBURETOR

REF. NO.	PART NO.	SYM.	QTY.	DESCRIPTION
1	010588		1	PLUG
2	02531		1	PLUG
3	04784		1	BALL
4	08805		1	SPRING
5	015736		1	SHAFT, CHOKE
6	10236		1	SHUTTER, CHOKE
7	010280		1	SCREW
9	013554		1	FLOAT
10	013944		1	PIN, FLOAT
11	015366		1	BOWL, FUEL
12	015623		1	GASKET, FUEL BOWL
13	013945		1	SCREW, BOWL RETAINING
14	02510		2	GASKET, BOWL RETAINING
15	015520		1	NEEDLE, IDLE MIXTURE
16	011103		1	SPRING, IDLE MIXTURE
17	10265		1	NEEDIE, INLET
18	10237		1	INLET SEAT, NEEDLE AND GASKET
19	010165		1	GASKET, INLET SEAT
20	10260		1	JET, MAIN FUEL (.057) SEA LEVEL - 2500 FT.
	10247		1	JET, MAIN FUEL (.055) 2500 - 5000 FT.
	011765		1	JET, MAIN FUEL (.053) 5000 - 7500 FT.
	011764		1	JET, MAIN FUEL (.051) 7500 - 10000 FT.
21	10238		1	NOZZLE, MAIN
22	10290		1	FOLLOWER, THROTTLE CAM
23	10240		1	SHAFT, THROTTLE LINKAGE
24	10241		1	E-RING
25	10242		1	WASHER
26	10338		1	WIRE, THROTTLE LINKAGE
27	10339		1	SHAFT, THROTTLE
28	10246		1	SPRING, THROTTLE SHAFT RETURN
29	10354		1	SHUTTER, THROTTLE
30	10328		1	SCREW, THROTTLE SHUTTER
31	8088		1	WASHER
32	681033		1	SWIVEL
33	2215		1	SCREW
34	714061		1	CARBURETOR COMPLETE (HO5A)
35	K10294		1	GASKET SET
36	K10295		1	REPAIR KIT

CONTINUED ON NEXT PAGE ➡

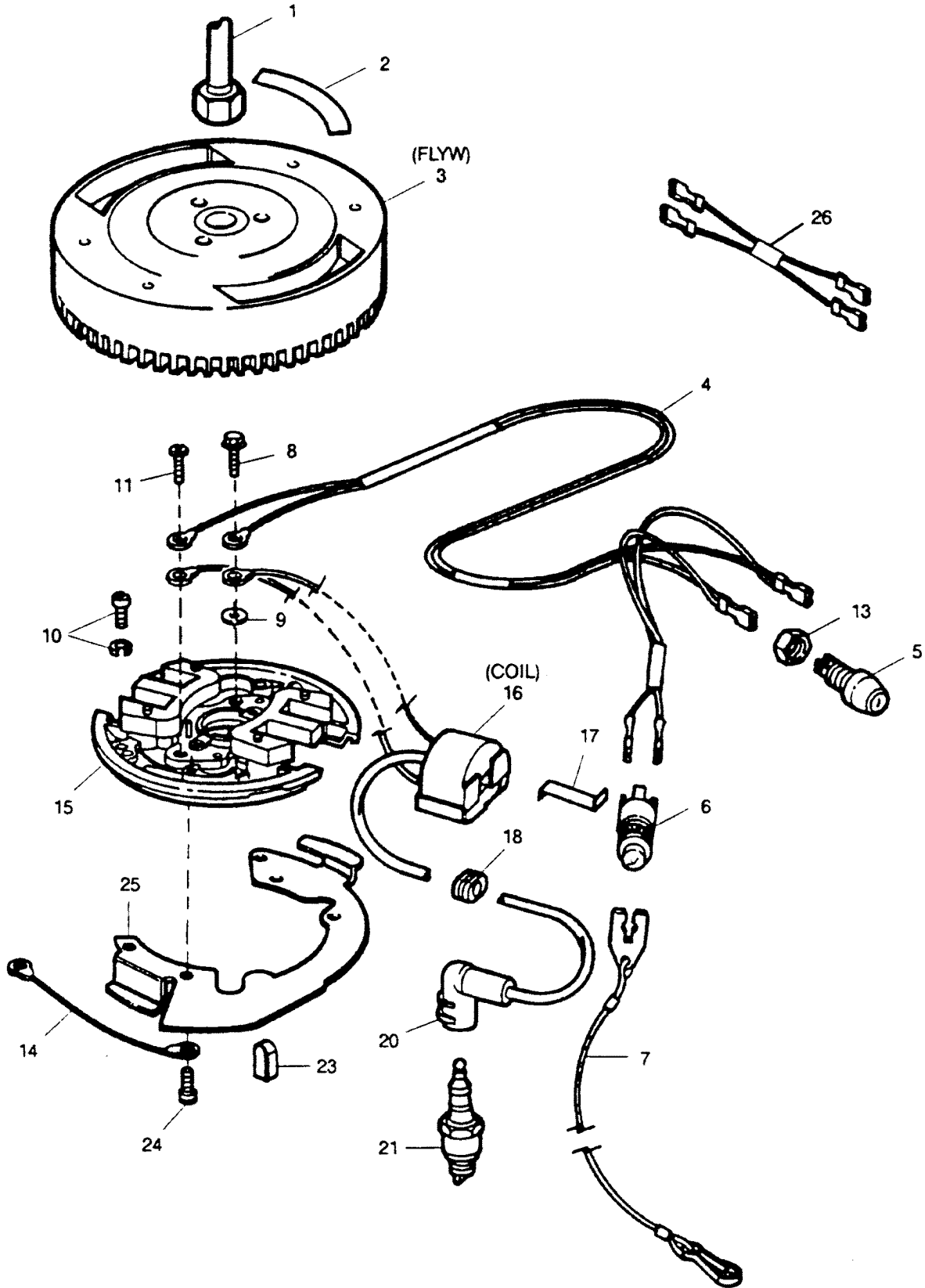
# CARBURETOR



# CARBURETOR

REF. NO.	PART NO.	SYM.	QTY.	DESCRIPTION
37	458677		1	INSERT. CHOKE KNOB
38	286547		1	KNOB CHOKE
39	819348		1	ROD, CHOKE
40	341384		1	RETAINER, CHOKE ROD
41	9030		1	RETAINER

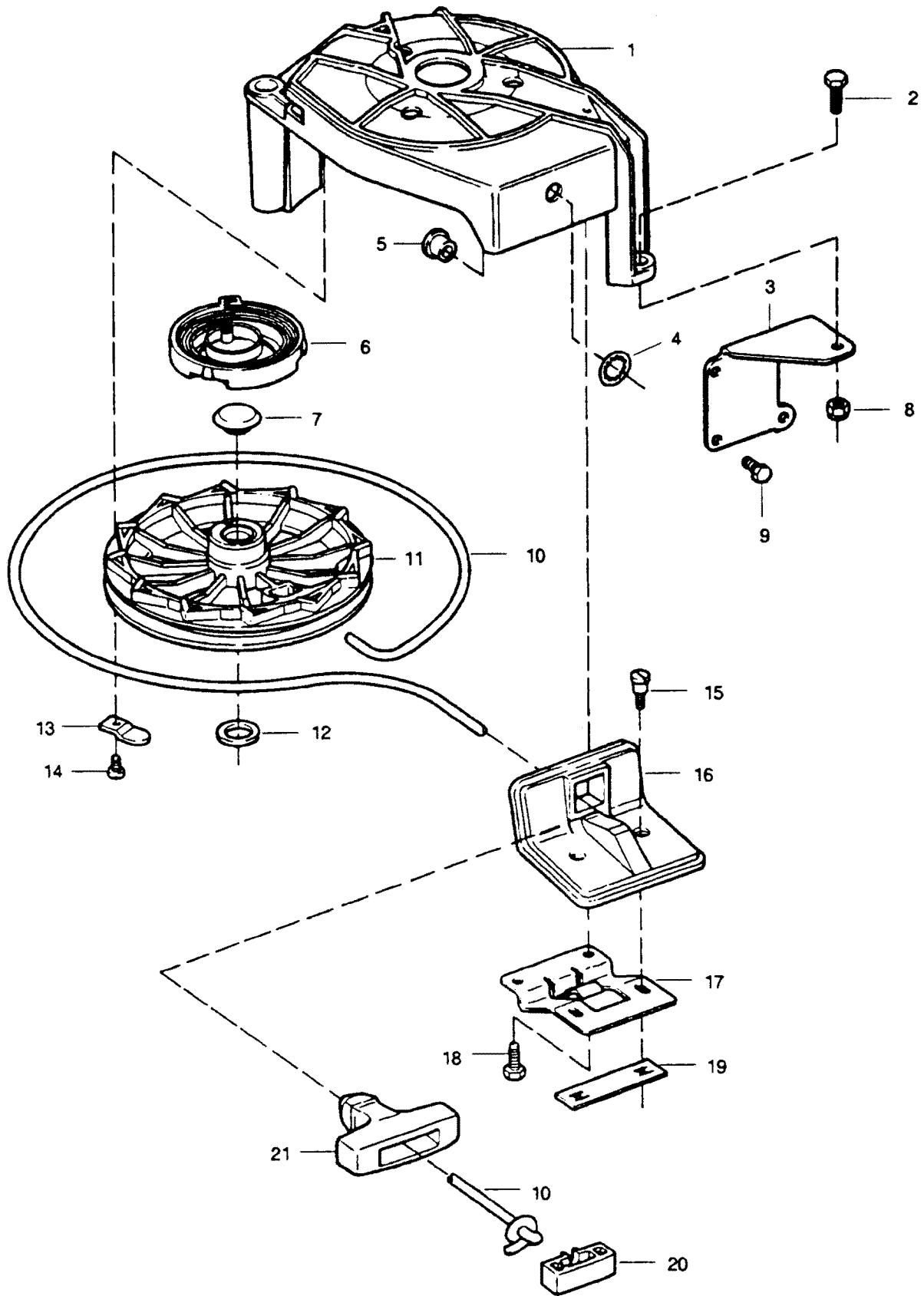
# IGNITION SYSTEM



# IGNITION SYSTEM

REF. NO.	PART NO.	SYM.	QTY.	DESCRIPTION
1	681091		1	NUT, FLYWHEEL
2	A609853		1	DECAL, SHIFT WARNING
3	A714097		1	FLYWHEEL W/DECAL
-	<b>412376</b>		<b>1</b>	<b>WIRE, MAGNETO SHORTING</b>
5	817952A1		1	SWITCH, STOP W/NUT
6	687287		1	SWITCH, EMERGENCY STOP
7	702329		1	LANYARD
8	12380		1	SCREW (PLASTIC)
9	12381		1	WASHER (PLASTIC)
10	1090		4	SCREW W/LOCKWASHER,10 - 24 X 9T16
11	12382		1	SCREW
13	436280		1	NUT, SHORTING SWITCH
14	289664		1	WIRE, STATOR GROUND
15	12377		1	STATOR, PLATE W/LAMINATIONS
16	712475		2	COIL
17	12378		2	SPRING, COIL WEDGE
18	12088		2	GROMMET
20	K1123		2	SPARKIE W/SPRING
21	819182T		2	SPARK PLUG (CHAMPION L87YC)
23	458498-1		1	KEY, MAGNETO
24	1090		4	SCREW, 10 - 24 X 9/16
25	617192		1	PLATE, THROTTLE CAM
26	819379A1		1	WIRE

# STARTER

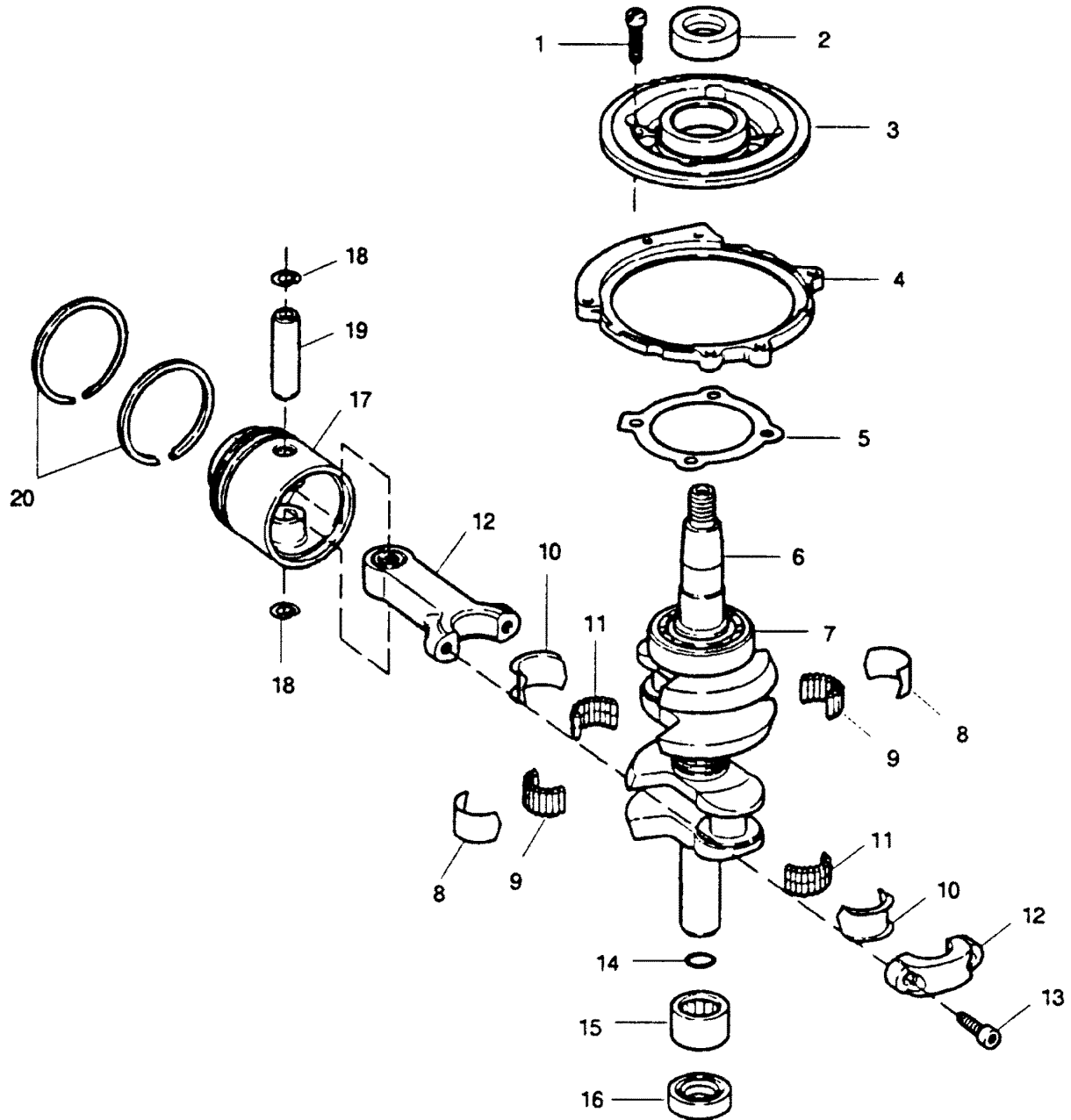




# STARTER

REF. NO.	PART NO.	SYM.	QTY.	DESCRIPTION
1	681408-1		1	HOUSING
2	1864		3	SCREW, HEX HEAD 1/4 - 20 X 3/4 S.S.
3	681427-2		1	BRACKET
4	681741		1	RING, RETAINING
5	681428		1	INSERT, STARTER HOUSING ROPE
6	681970		1	SPRING, STARTER REWIND
7	681971		1	PLUG
8	1832		1	LOCKNUT, 1/4 - 20
9	1090		3	SCREW, FILL. HEAD 10 - 24 X 9/16
10	681232		1	ROPE
11	A681239		1	STARTER PULLEY ASSEMBLY W/PLUG AND SEAL
12	681579		1	SEAL
13	681592		3	RETAINER, STARTER PULLEY
14	2209		3	SCREW. PAN HEAD 10 - 16 X 1/2 S.S.
15	84026		2	SCREW, SHOULDER
16	A681630		1	SUPPORT, HANDLE
17	681090		1	PLATE, HANDLE SUPPORT
18	2210		2	SCREW, PAN HEAD 1/4 - 14 X 1/2 S.S.
19	681874		1	FASTENER, HANDIE SUPPORT PLATE
20	681B17		1	RETAINER, STARTER ROPE
21	681132		1	HANDLE, STARTER ROPE

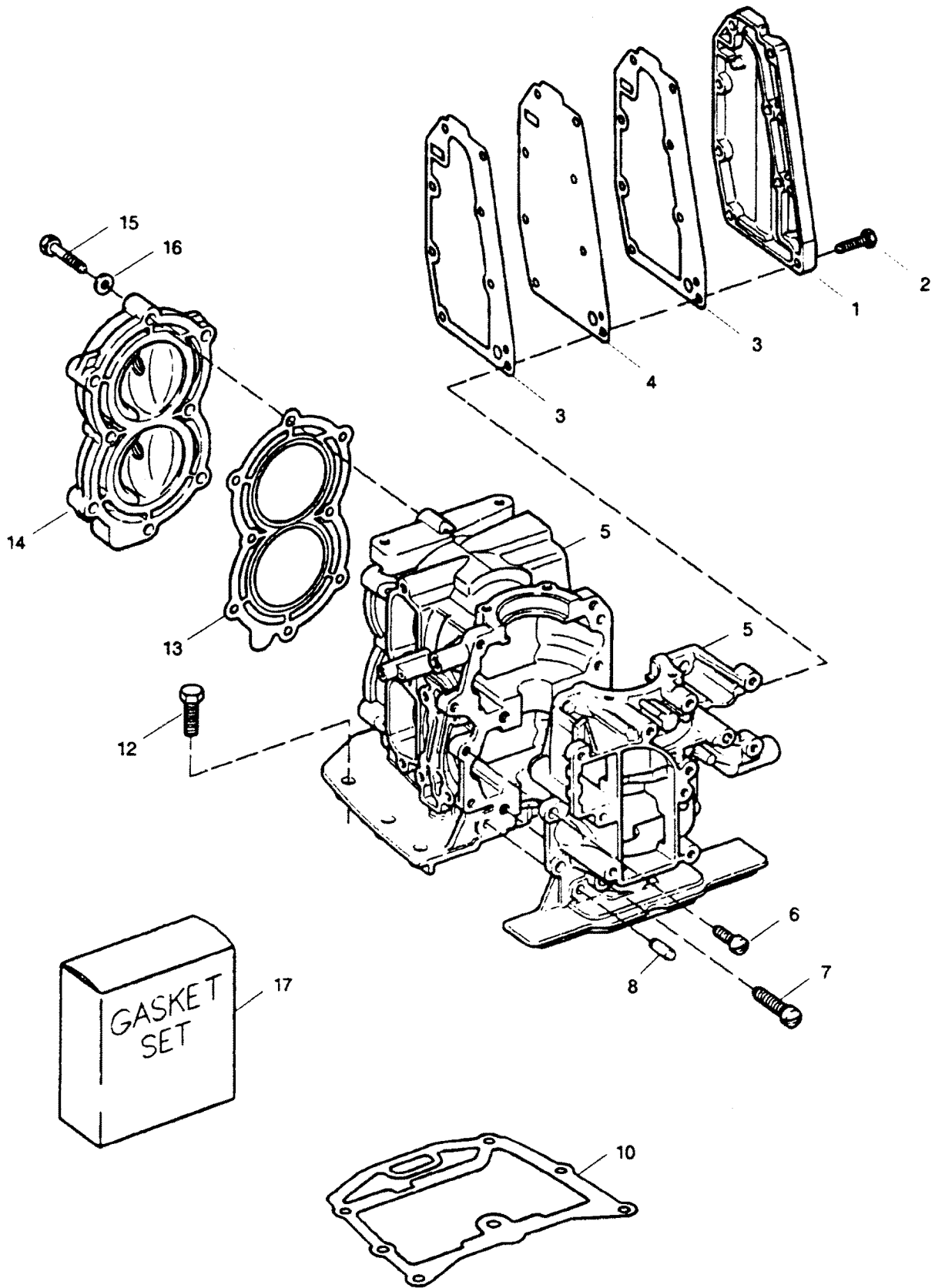
# CRANKSHAFT AND PISTON



# CRANKSHAFT AND PISTON

REF. NO.	PART NO.	SYM.	QTY.	DESCRIPTION
1	1111		4	HEAD SCREW, 114 - 20 X 7/8
2	346146		1	SEAL, CRANKSHAFT UPPER
3	817753A1		1	CAGE, CRANKSHAFT WLSEAL
4	73082		1	RING, MAGNETO STATOR
5	286277		1	GASKET, CRANKSHAFT BEARING CAGE
6	2A681018		1	CRANKSHAFT W/UPPER MAIN BEARING
7	286028		1	BEARING, CRANKSHAFT UPPER
8	A286155		1	CENTER MAIN BEARING LINER SET (2 PER SET)
9	286571		1	CENTER MAIN BEARING ROLLER SET (26 PER SET)
10	817755A1		2	CONNECTING ROD LINER SET (2 PER SET)
11	A517228		2	CONNECTING ROD ROLLER SET (2 PER SET)
12	818046A1		2	ROD, CONNECTING W/CAP AND SCREWS
13	286634-1		4	SCREW, CONNECTING ROD
14	461342		1	SEAL, DRIVESHAFT SPLINE
15	343014		1	BEARING, CRANKSHAFT LOWER MAIN
16	141118		1	SEAL, CRANKSHATT LOWER
17	715015		2	PISTON
18	31410		4	RETAINING RING, PISTON PIN
19	712017		2	PIN, PISTON
20	A472260		1	PING SET, PISTON (4 PER SET)

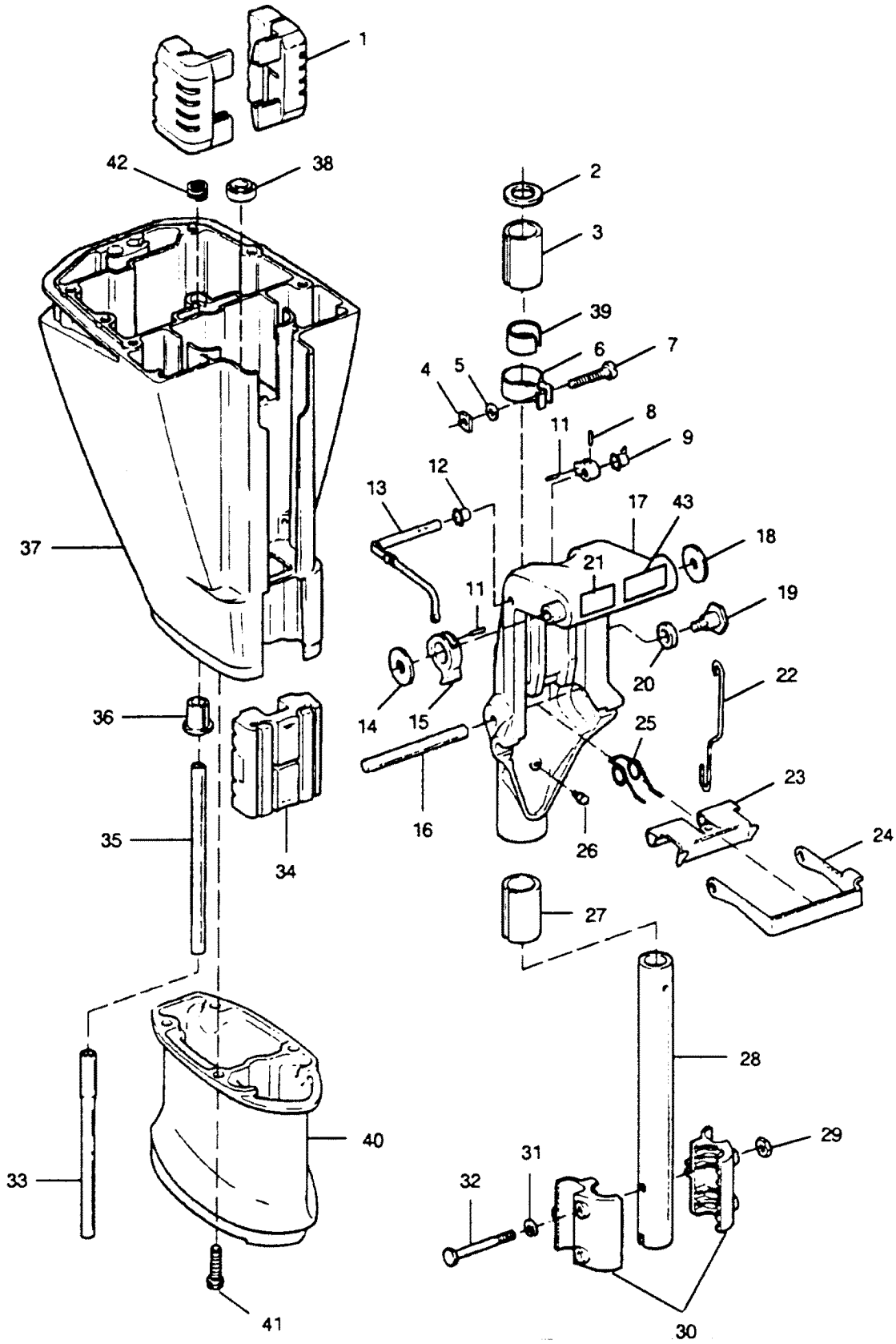
# CYLINDER



# CYLINDER

REF. NO.	PART NO.	SYM.	QTY.	DESCRIPTION
1	715152		1	COVER, EXHAUST
2	2008		8	HEX HEAD SCREW, 1T4 - 20 X 7/8
3	715154		2	GASKET, EXHAUST COVER
4	715151		1	PLATE, EXHAUST
5	A709010		1	CYLINDER
-	<b>C709010</b>		<b>1</b>	<b>SHORT BLOCK (CYLINDER WITH CRANKSHAFT, PISTONS AND RODS INSTALLED)</b>
6	1107		8	HEAD SCREW, 1/4 - 20 X 3/4
7	1335		4	HEAD SCREW, 5/16 - 18 X 1-1/4
8	8559		2	DOWEL PIN
10	715279-1		1	GASKET, CYLINDER MOUNT
12	1823		6	HEX HEAD CAP SCREW, 5T16 - 18 X 1
13	286529-3		1	GASKET, CYLINDER HEAD
14	703518		1	HEAD, CYLINDER
15	901938-1		8	SCREW, CYLINDER HEAD
16	8025		8	PLAIN WASHER
17	G1036		1	GASKET SET (INCLUDES ALL GASKETS AND SEALS REQUIRED TOREBUILD POWER HEAD)

# MOTOR LEG AND SWIVEL BRACKET

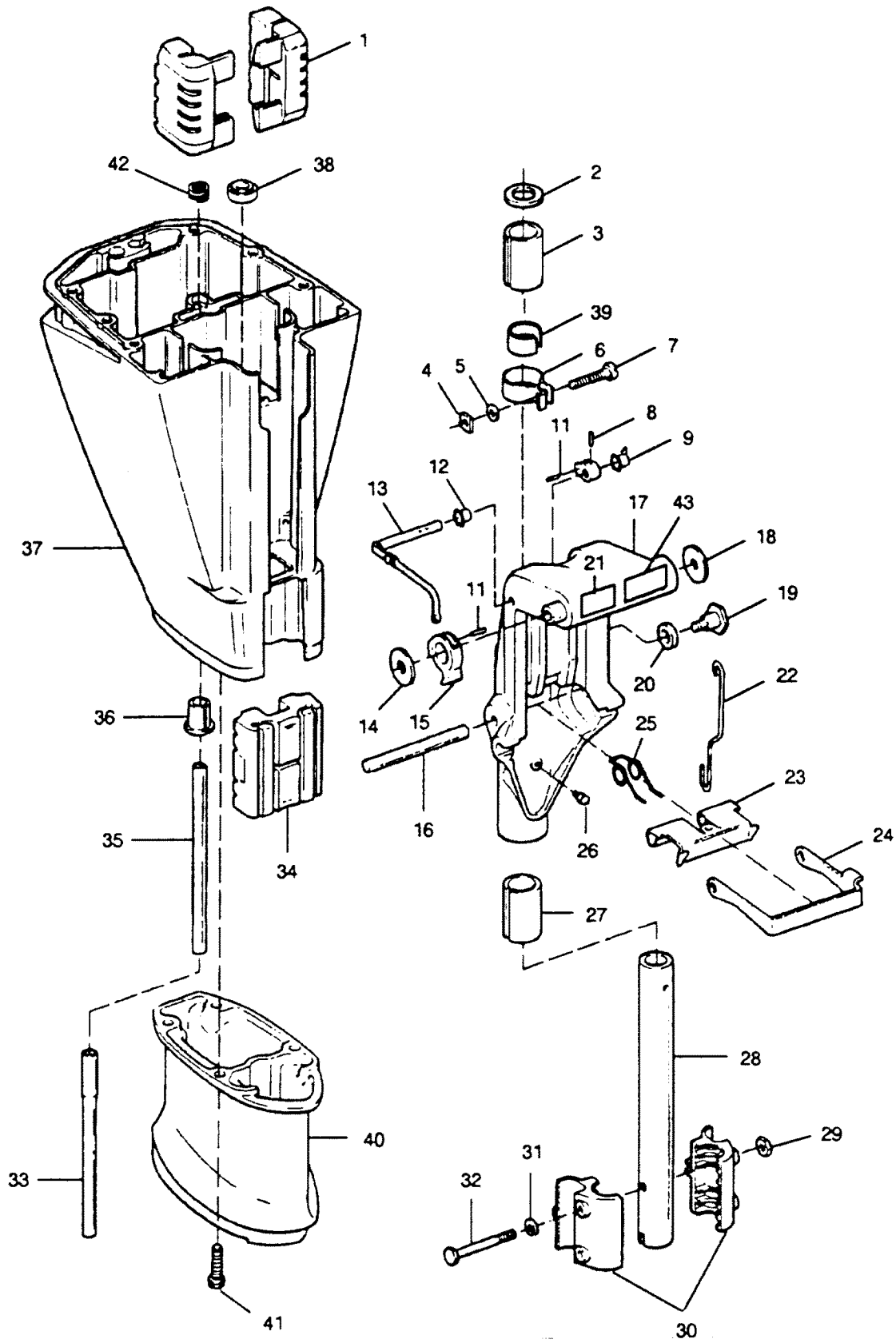


# MOTOR LEG AND SWIVEL BRACKET

REF. NO.	PART NO.	SYM.	QTY.	DESCRIPTION
1	286347		2	MOUNT, UPPER SHOCK
2	286011		1	WASHER, SWIVEL BRACKET
3	681169		1	BEARING, SWIVEL BRACKET
4	1608		1	SQUARE NUT, L/4 - 20
5	1907		1	WASHER
6	286573-1		1	CLAMP, STEERING FRICTION
7	1820		1	HEAD SCREW, 1/4 - 20 X 1-3/8
8	8538		1	SPRING PIN
9	197813		1	BEARING
10	286364		1	LEVER, REVERSE LOCK
11	1794		2	SPRING PIN
12	536813		1	BEARING
13	A387742		1	LEVER, REVERSE LOCK INTERMEDIATE
14	525286		1	WASHER
15	286827		1	LEVER, REVERSE LOCK
16	1806		1	GROOVE PIN
17	817750A2		1	BRACKET, SWIVEL W/GREASE FITTING AND LOWER BEARING
18	2862B6-1		1	WASHER
19	286422-1		1	PIVOT, TILT LOCK
20	286451		1	SPACER, TILT LOCK
21	688585		1	DECAL, TILT LOCK
22	A341510		1	LINK, REVERSE LOCK
23	286349		1	REVERSE LOCK
24	286433		1	BRACKET, REVERSE LOCK
25	286300		1	SPRING, REVERSE LOCK
26	213274		2	FITTING, GREASE
27	286169		1	BEARING LOWER SWIVEL BRACKET
28	286019		1	KINGPIN
29	1341		2	HEX NUT, 1/4 - 20
30	286956		2	BRACKET, SHOCK MOUNT LOWER
31	8083		2	SPRING LOCKWASHER
32	A1844		2	HEX BOLT W/LOCKWASHER, 1/4 - 20 X 2-3/8 S.S.
33	S901244		1	EXTENSION, WATER LINE(20 INCH TRANSOM MODELS)
34	286346		1	MOUNT, LOWER SHOCK
35	286244		1	LINE, WATER
36	286914		1	SLEEVE, WATER IINE
37	2A477133		1	LEG, MOTOR
38	901307-2		1	MOTOR LEG

CONTINUED ON NEXT PAGE ➡

# MOTOR LEG AND SWIVEL BRACKET

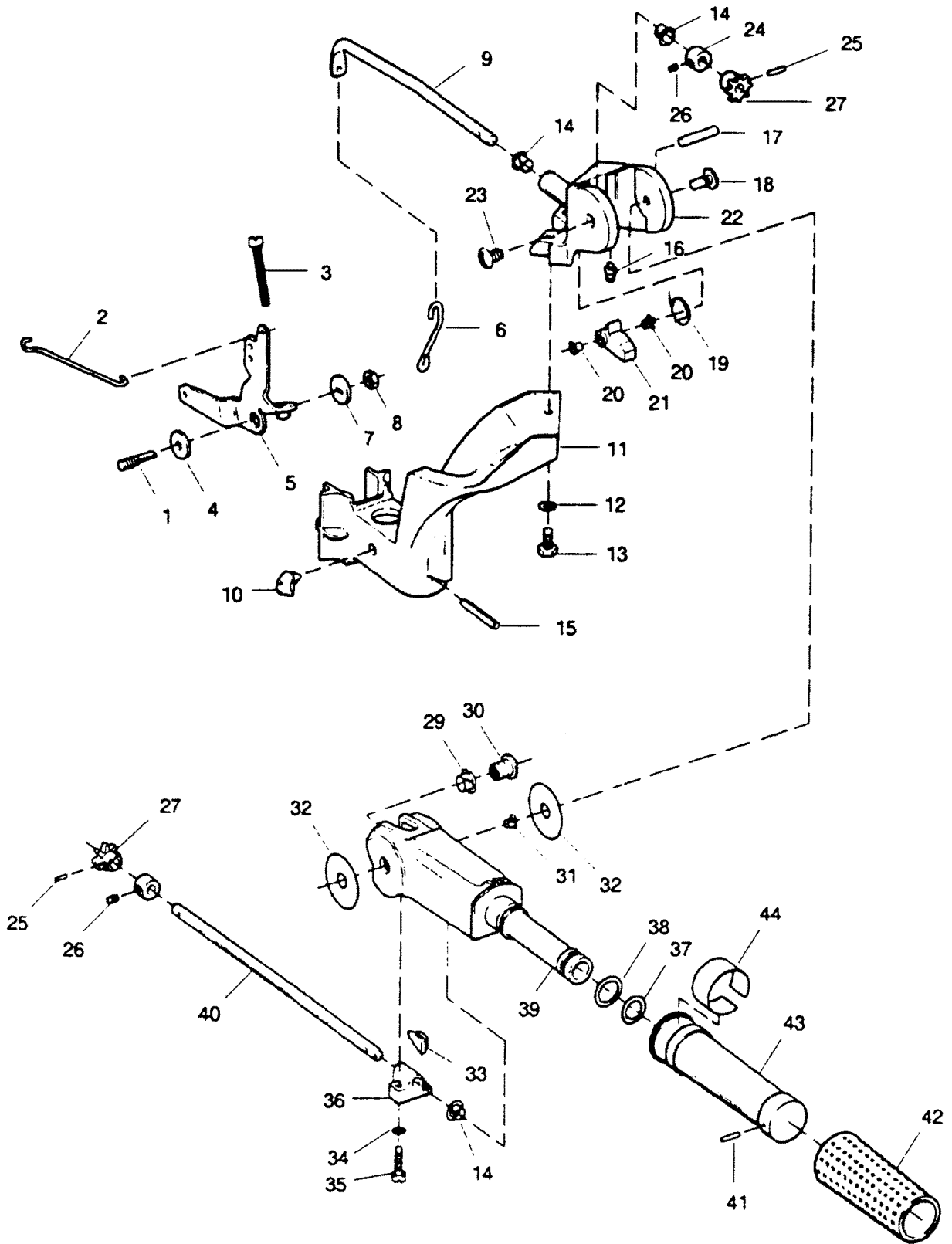




# MOTOR LEG AND SWIVEL BRACKET

REF. NO.	PART NO.	SYM.	QTY.	DESCRIPTION
39	681631		1	SHOE, STEERING FRICTION
40	A492845		1	EXTENSION, MOTOR LEG (20 INCH TRANSOM MODELS)
41	430732		4	SCREW, S.S.
42	286414		1	SPRING, WATER BRACKET
43	70339B		1	DECAL, FUEL MIX

# TILLER HANDLE AND THROTTLE LINKAGE

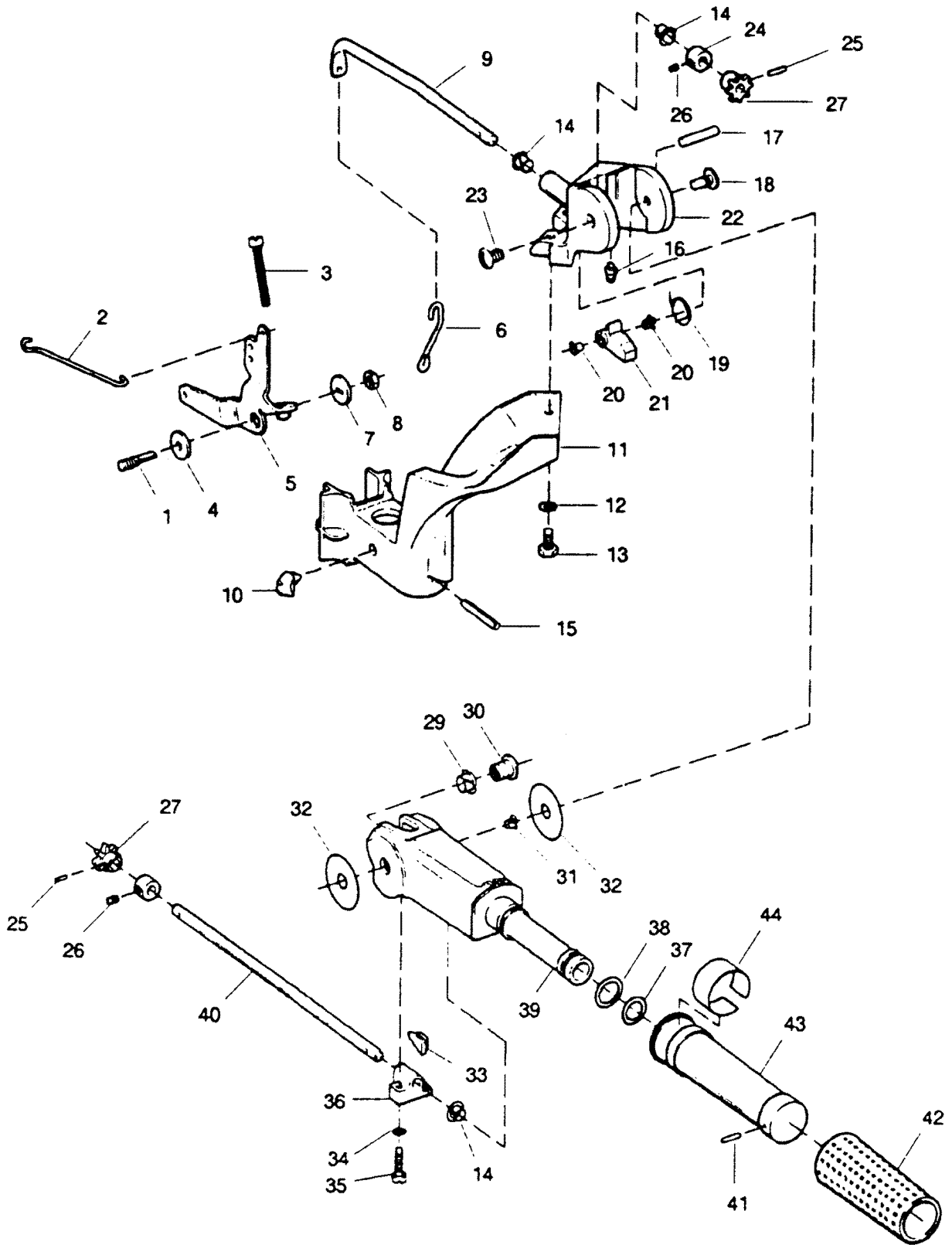


## TILLER HANDLE AND THROTTLE LINKAGE

REF. NO.	PART NO.	SYM.	QTY.	DESCRIPTION
1	286440		1	STUD, MAGNETO CONTROL LEVER
2	286509		1	LINK, THROTTLE CAM
3	2126		1	SLOTTED FILL. HEAD SCREW, 1/4 - 28 X 2
4	183813		1	BEARING, MAGNETO CONTROL LEVER
5	A715081		1	LEVER, MAGNETO CONTROL
6	618445		1	LINK, MAGNETO SHAFT
7	286282		1	WASHER
8	1803		1	STOP NUT, 5/16 - 24
9	431838		1	SHAFT. MAGNETO CONTROL
10	286539		1	BUMPER
11	A286582		1	ARM, STEERING W/BUMPER AND SPRING PIN
12	8060		2	EXTERNAL TOOTH LOCKWASHER
13	1922		2	HEX CAP SCREW,
14	307818		2	BEARING
15	1805		1	SPRING PIN
16	213274		1	FITTING, GREASE
17	1807		1	GROOVE PIN
18	286080		1	SCREW, STEERING HANDLE PIVOT
19	286868		1	SPRING, STEERING HANDLE STOP
20	197813		2	BEARING, STEERING HANDLE STOP
21	286490		1	STOP, STEERING HANDLE
22	817751A2		1	BRACKET, STEERING HANDLE W/GREASE FITTING
23	1799		1	TRUSS HEAD SCREW, 5/16 - 18 X 5/8
24	A343178		2	RETAINER WLSET SCREW
25	1978		2	SPRING PIN
26	1859		2	HEX HEADLESS SOCKET SET SCREW
27	818009--1		2	GEAR, MAGNETO CONTROL SHAFT
28	85610		1	BEARING
29	286818		1	BEARING
30	286224-1		1	INSERT, STEERING HANDLE PIVOT
31	197813		1	BEARING
32	286220		2	WASHER, STEERING HANDLE
33	341693		1	WEDGE, STEERING HANDLE
34	8058		2	INTERNAL TOOTH LOCKWASHER
35	1829		2	HEAD SCREW, 10 - 24 X 7/8
36	487816-1		1	BEARING, STEERING HANDLE
37	215795		1	SEAL (SMALL)
38	53795-1		1	SEAL (LARGE)
39	819279		1	HANDLE, STEERING

CONTINUED ON NEXT PAGE ➡

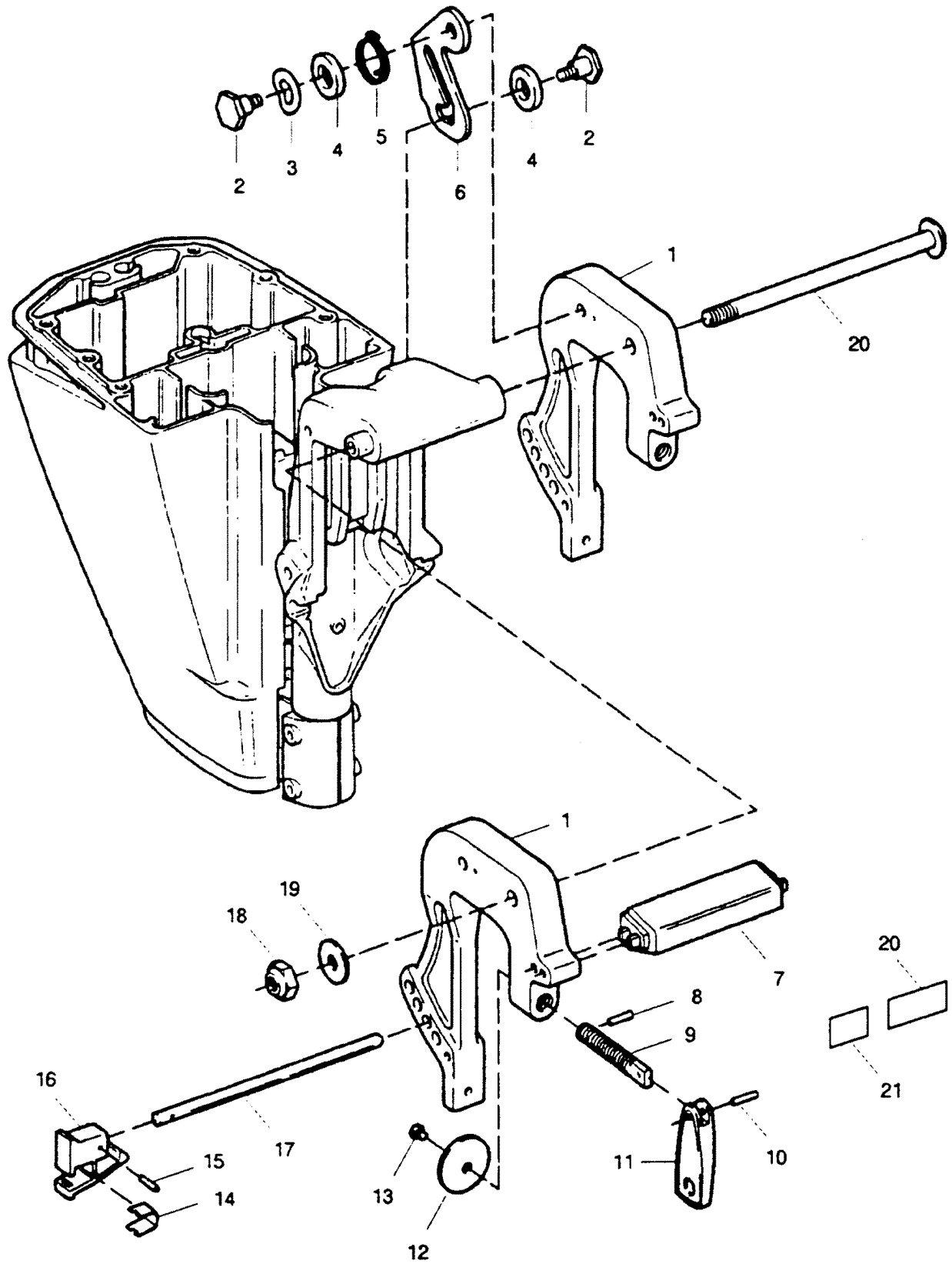
# TILLER HANDLE AND THROTTLE LINKAGE



## TILLER HANDLE AND THROTTLE LINKAGE

REF. NO.	PART NO.	SYM.	QTY.	DESCRIPTION
40	819160		1	SHAFT, STEERING HANDLE
41	8548			SPRING PIN
42	458695		1	SLEEVE
43	A456137		1	GRIP, STEERING HANDLE W/SLEEVE
44	709894		1	INDICATOR, STEERING HANDLE

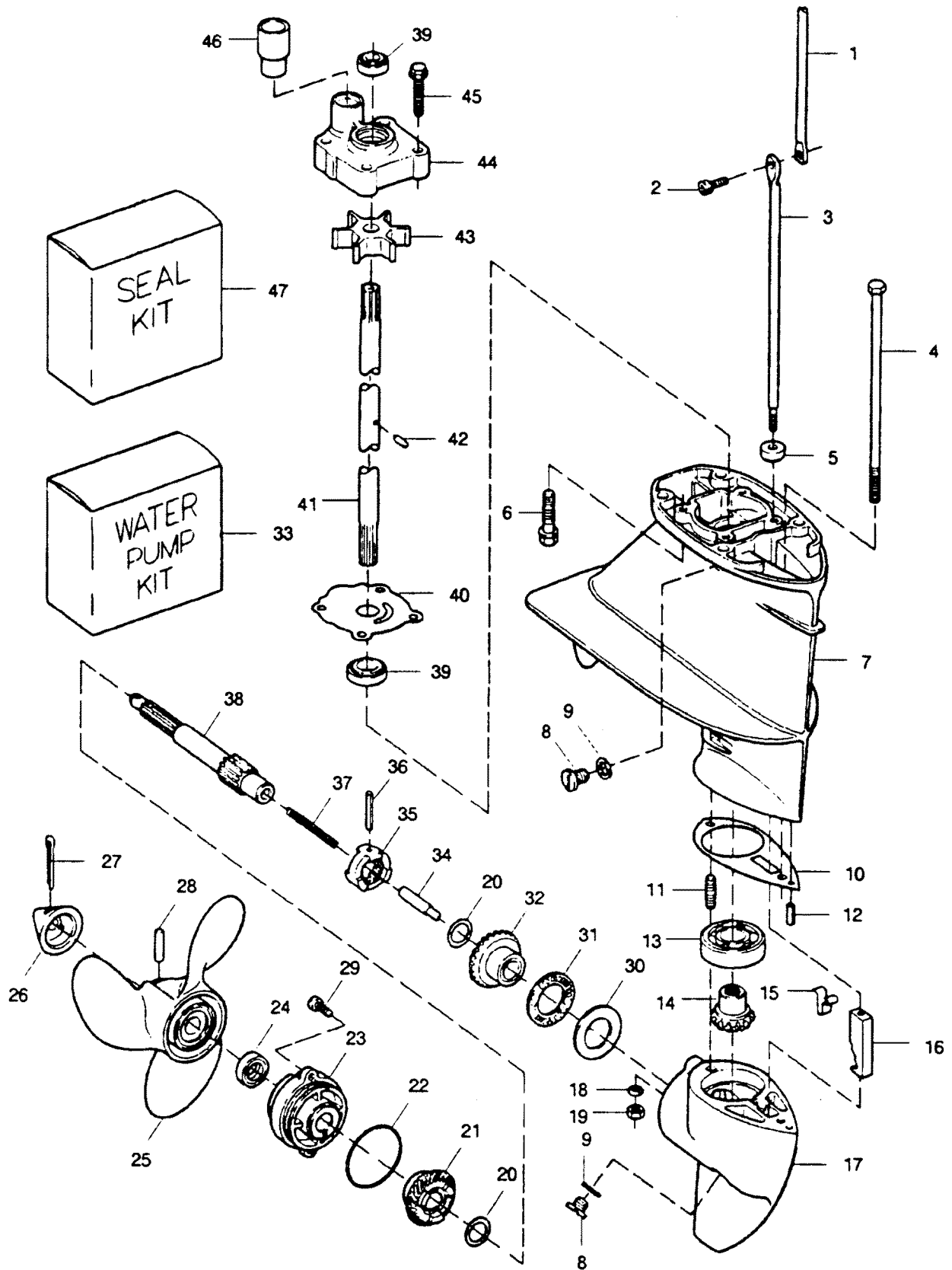
# STERN BRACKETS



# STERN BRACKETS

REF. NO.	PART NO.	SYM.	QTY.	DESCRIPTION
L	S617532		2	STERN BRACKET W/CLAMP SCREW
2	286422--1		2	PIVOT
3	1666		1	BOWED SPRING WASHER
4	286451		2	SPACER
5	286544-1		1	SPRING, TILT STOP
6	429541		1	LOCK, TILT
7	286647		1	HANDLE, CARRYING
8	8537		2	SPRING PIN
9	817761A2		2	CLAMP SCREW WTHANDLE AND FOOT
10	8554		2	SPRING PIN
11	424075		2	HANDLE, CLAMP SCREW
12	24074		2	FOOT, CLAMP SCREW
13	66480		2	STUD, CLAMP SCREW
14	286461		1	SPRING, LOCK BAR HANDLE
15	8540		1	SPRING PIN
16	286114		1	HANDLE, LOCK BAR
17	A617113		1	LOCK BAR W/HANDLE
18	7026		1	STOP NUT, 3T8- 16
19	2014		1	WASHER
20	819029		1	DECAL, FUEL MIX
21	688585		1	DECAL, START PROCEDURE

# GEAR HOUSING



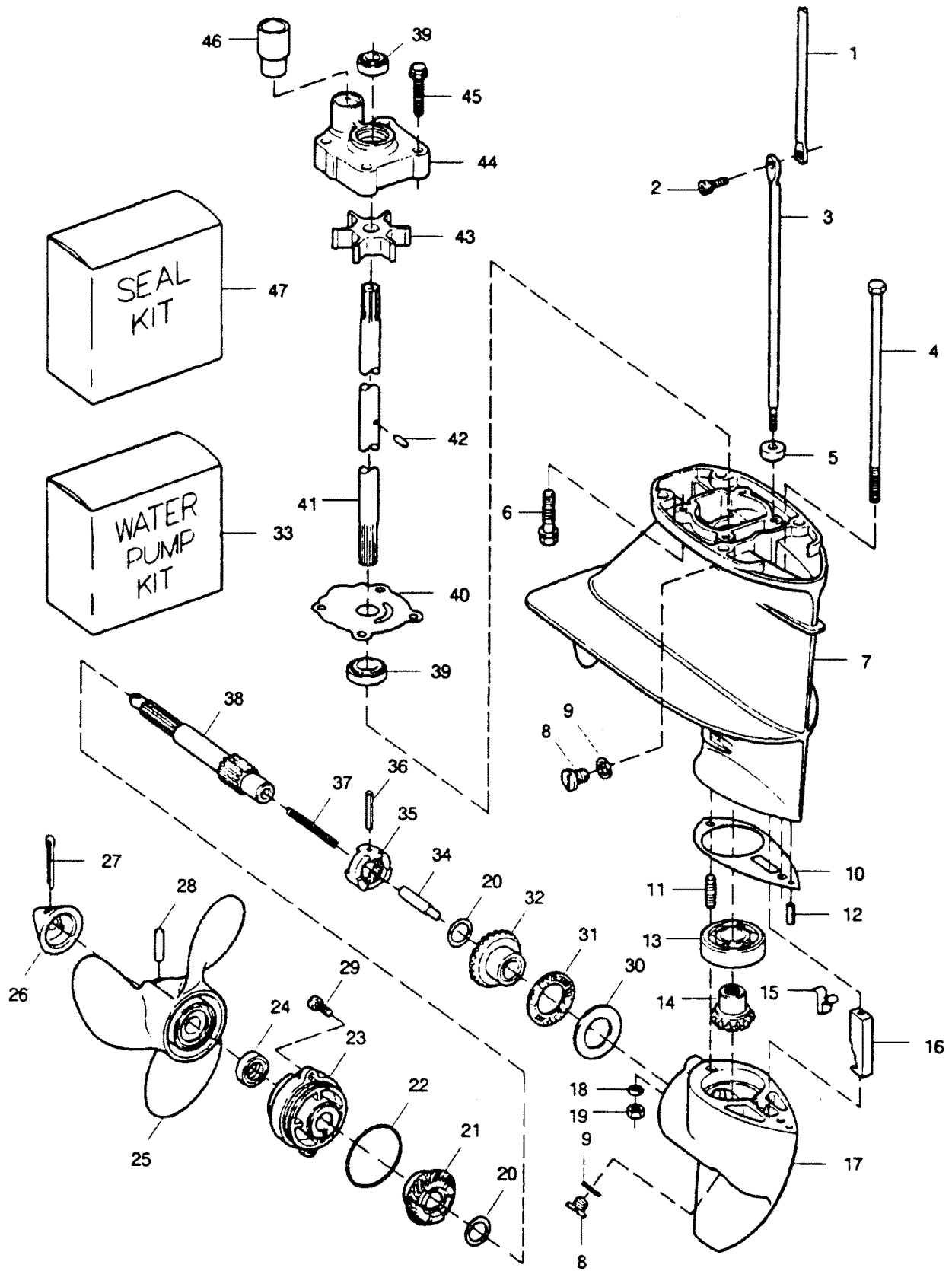


# GEAR HOUSING

REF. NO.	PART NO.	SYM.	QTY.	DESCRIPTION
1	286615		1	GEAR SHIFT ROD, UPPER
2	1976		1	SOCKET HEAD CAP SCREW W/LOCKWASHER, 10 - 24 X 1/2
3	330705		1	GEAR SHIFT ROD, LOWER (20 INCH TRANSOM MODELS)
4	1800		1	HEX BOLT, 1/4 - 20 X 7
5	338618-1		1	SEAL, SHIFT ROD LOWER
6	430732		4	HEX HEAD SCREW, 1/4 - 20 X 1
7	A715554		1	GEAR HOUSING UPPER W/BEARING, PLUGS AND SEALS
8	50109		2	PLUG, GEAR HOUSING
9	8186		2	WASHER, OIL PLUG
10	286555		1	GASKET, GEAR HOUSING
11	286008		1	STUD, REAR
12	8553		1	SPRING PIN
13	127910-2		1	BALL BEARING
14	819251A1		1	GEAR, BEVEL PINION W/BALL BEARING
15	286895		1	SPRING, CAM DETENT
16	286721		1	CAM, SHIFT
17	817749A1		1	GEAR HOUSING LOWER
	819483A1		1	GEAR HOUSING KIT (INCLUDES ALL ITEMS REQUIRED TO BUIID COMPLETE LOWER GEAR HOUSI
18	8083		1	SPRING LOCKWASHER
19	1490		1	HEX NUT, 1/4 - 20
20	456717		2	THRUST WASHER
21	819254A1		1	GEAR, BEVEL REAR WTBEARING
22	455305		1	SEAL, PROP SHAFT BEARING CAGE
23	817756A1		1	CAGE, PROP SHAFT BEARING W/BEARING END SEALS
24	346118		1	SEAL, PROP SHAFT
25	P6477		1	PROPELLER, 8 X 9-1/4, NYLON, 3 BLADE
26	817752A1		1	PROPELLER NUT W/COTTER PIN
27	1846		1	COTTER PIN
28	A324101		1	PROPELLER PIN, PACK OF 3 W/COTTER PIN
29	1493		2	HEAD SCREW. 1/4 - 20 X 5/8
30	286903		1	RACE, PROPELLER SHAFT BEARING
31	286901		1	BEARING, PROPELLER SHAFT
32	819252A1		1	GEAR, FRONT BEVEL W/BEARING
33	K1031-1		1	WATER PUMP KIT
34	286728		1	SHIFT PIN
35	819253		1	CLUTCH
36	8564		1	SPRING PIN
37	409719		1	SPRING, CLUTCH
38	456098		1	PROPELLER SHAFT
39	901307-2		2	SEAL, DRIVESHAFT
40	341562		1	WATER PUMP BACKPLATE
41	344128		1	DRIVESHAFT (20 INCH TRANSOM MODELS)

CONTINUED ON NEXT PAGE ➡

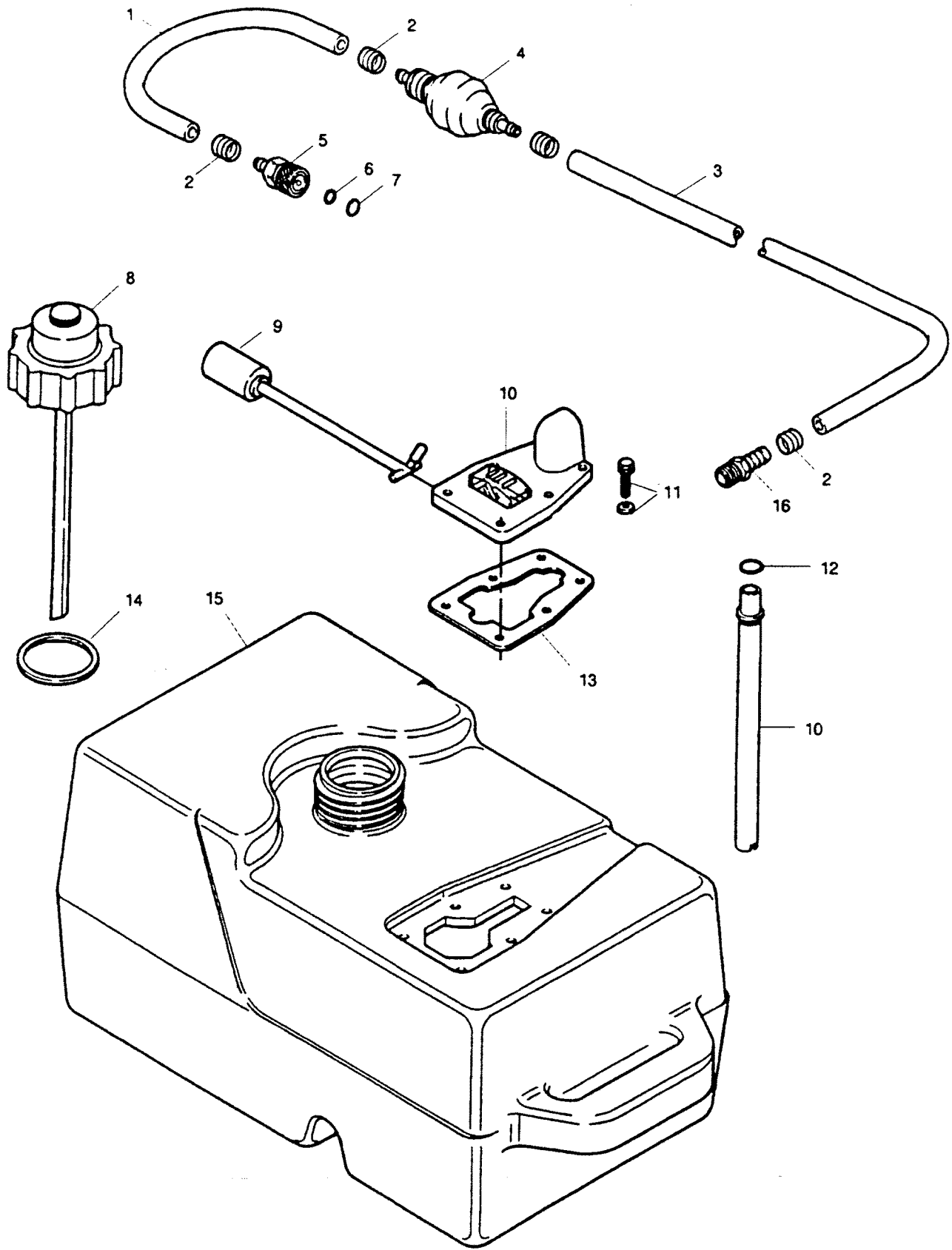
# GEAR HOUSING



## GEAR HOUSING

REF. NO.	PART NO.	SYM.	QTY.	DESCRIPTION
42	901563		1	PIN, IMPELLER DRIVE
43	436065-2		1	IMPELLER, WATER PUMP
44	A715060		1	WATER PUMP BODY W/DRIVESHAFT SEAL
45	2030		4	HEX HEAD SCREW, 1/4 - 20 X 1-1/4 S.S.
46	A510914		1	SEAL, WATER LINE
47	K1065		1	SEAL KIT

# FUEL TANK AND LINE



## FUEL TANK AND LINE

REF. NO.	PART NO.	SYM.	QTY.	DESCRIPTION
1	A84754-1		1	HOSE W/FERRULES
2	298788		4	FERRULE
3	A197752-1		1	HOSE W/CLAMP AND FERRULE
4	S387766-1		1	BULB, PRIME
5	197787-3		1	COUPLER
6	17815		1	SEAL
7	17816		1	SEAL
8	17821		1	CAP, TUEL TANK
9	17826		1	FLOAT
10	17828		1	GAUGE ASSEMBLY
11	17824		6	SCREW
12	17827		1	SEAL
13	17823		1	GASKET
14	17822		1	GASKET
15	819038A1		1	FUEL TANK W/LINE (6 GALLON)
16	702801		1	FITTING, FUEL
-	<b>310398</b>		<b>2</b>	<b>DECAL, FUEL MIX (NOT SHOWN)</b>

# PARTS INDEX

Part Number	Description	Pg.	Ref. No.	Part Number	Description	Pg.	Ref. No.
010165	GASKET, INLET SEAT	9	19	1341	HEX NUT, 1/4 - 20	21	29
010280	SCREW	9	7	141118	SEAL, CRANKSHATT LOWER	17	16
010588	PLUG	9	1	1490	HEX NUT, 1/4 - 20	7	12
011103	SPRING, IDLE MIXTURE	9	16	1490	HEX NUT, 1/4 - 20	31	19
011764	JET, MAIN FUEL (.051) 7500 - 10000 FT.	9	20	1493	HEAD SCREW, 1/4 - 20 X 5/8	31	29
011765	JET, MAIN FUEL (.053) 5000 - 7500 FT.	9	20	1608	SQUARE NUT, L/4 - 20	21	4
013554	FLOAT	9	9	1666	BOWED SPRING WASHER	29	3
013944	PIN, FLOAT	9	10	1704	LOCKWASHER, #6 S.S.	7	3
013945	SCREW, BOWL RETAINING	9	13	1755	ROUND HEAD SCREW W/LOCKWASHER, 6 - 32 X 5/16	7	2
015366	BOWL, FUEL	9	11	17815	SEAL	35	6
015520	NEEDLE, IDLE MIXTURE	9	15	17816	SEAL	35	7
015623	GASKET, FUEL BOWL	9	12	17821	CAP, TUEL TANK	35	8
015736	SHAFT, CHOKE	9	5	17822	GASKET	35	14
02510	GASKET, BOWL RETAINING	9	14	17823	GASKET	35	13
02531	PLUG	9	2	17824	SCREW	35	11
04784	BALL	9	3	17826	FLOAT	35	9
08805	SPRING	9	4	17827	SEAL	35	12
10236	SHUTTER, CHOKE	9	6	17828	GAUGE ASSEMBLY	35	10
10237	INLET SEAT, NEEDLE AND GASKET	9	18	1794	SPRING PIN	21	11
10238	NOZZLE, MAIN	9	21	1799	TRUSS HEAD SCREW, 5/16 - 18 X 5/8	25	23
10240	SHAFT, THROTTLE LINKAGE	9	23	1800	HEX BOLT, 1/4 - 20 X 7	31	4
10241	E-RING	9	24	1803	STOP NUT, 5/16 - 24	25	8
10242	WASHER	9	25	1804	STOP NUT, 10 - 32	5	17
10246	SPRING, THROTTLE SHAFT RETURN	9	28	1805	SPRING PIN	25	15
10247	JET, MAIN FUEL (.055) 2500 - 5000 FT.	9	20	1806	GROOVE PIN	21	16
10260	JET, MAIN FUEL (.057) SEA LEVEL - 2500 FT.	9	20	1807	GROOVE PIN	25	17
10265	NEEDIE, INLET	9	17	18160-3	REED, FUEL PUMP	7	28
10290	FOLLOWER, THROTTLE CAM	9	22	1820	HEAD SCREW, 1/4 - 20 X 1- 3/8	21	7
10328	SCREW, THROTTLE SHUTTER	9	30	1823	HEX HEAD CAP SCREW, 5T16 - 18 X 1	19	12
10338	WIRE, THROTTLE LINKAGE	9	26	1829	HEAD SCREW, 10 - 24 X 7/8	25	35
10339	SHAFT, THROTTLE	9	27	1832	LOCKNUT 1/4 - 20	5	9
10354	SHUTTER, THROTTLE	9	29	1832	LOCKNUT, 1/4 - 20	15	8
1069	HEAD SCREW, 10 - 24 X 1- 1/16	7	23	1832	LOCKNUT, 1/4 - 20 S.S.	3	10
1090	SCREW W/LOCKWASHER, 10 - 24 X 9T16	13	10	183813	BEARING, MAGNETO CONTROL LEVER	25	4
1090	SCREW, 10 - 24 X 9/16	13	24	1846	COTTER PIN	31	27
1090	SCREW, FILL. HEAD 10 - 24 X 9/16	15	9	1854	HEX HEAD CAP SCREW, 1/4 - 20 X 5/8	3	23
1107	HEAD SCREW, 1/4 - 20 X 3/4	19	6	1859	HEX HEADLESS SOCKET SET SCREW	25	26
1111	HEAD SCREW, 114 - 20 X 7/8	17	1	1864	SCREW, HEX HEAD 1/4 - 20 X 3/4 S.S.	15	2
12088	GROMMET	13	18	18906	GASKET, CARBURETOR	7	11
12377	STATOR, PLATE W/LAMINATIONS	13	15	1907	WASHER	21	5
12378	SPRING, COIL WEDGE	13	17	1922	HEX CAP SCREW,	25	13
12380	SCREW (PLASTIC)	13	8	1922	HEX HEAD SCREW, 1/4 - 20 X 5/8	7	17
12381	WASHER (PLASTIC)	13	9	1976	SOCKET HEAD CAP SCREW W/LOCKWASHER, 10 - 24 X 1/2	31	2
12382	SCREW	13	11	197767-2	BUSHING (FUEL LINE)	7	36
127910-2	BALL BEARING	31	13	197787-3	COUPLER	35	5
1286	PAN HEAD SCREW, 4 - 40 X 3/16	7	26	1978	SPRING PIN	25	25
				197813	BEARING	21	9

# PARTS INDEX

Part Number	Description	Pg.	Ref. No.	Part Number	Description	Pg.	Ref. No.
197813	BEARING	25	31	286422-1	PIVOT, TILT LOCK	21	19
197813	BEARING, STEERING			286433	BRACKET, REVERSE LOCK	21	24
	HANDLE STOP	25	20	286440	STUD, MAGNETO CONTROL LEVER	25	1
2008	HEX HEAD SCREW, 114 - 20 X 7/8	7	13	286451	SPACER	29	4
2008	HEX HEAD SCREW, 1T4 - 20 X 7/8	19	2	286451	SPACER, TILT LOCK	21	20
2014	WASHER	29	19	286461	SPRING, LOCK BAR HANDLE	29	14
2030	HEX HEAD SCREW, 1/4 - 20 X 1-1/4 S.S.	33	45	286490	STOP, STEERING HANDLE	25	21
2042	WASHER	3	2	286509	LINK, THROTTLE CAM	25	2
2126	SLOTTED FILL. HEAD SCREW, 1/4 - 28 X 2	25	3	286529-3	GASKET, CYLINDER HEAD	19	13
213274	FITTING, GREASE	21	26	286539	BUMPER	25	10
213274	FITTING, GREASE	25	16	286544-1	SPRING, TILT STOP	29	5
215795	SEAL (SMALL)	25	37	286547	KNOB CHOKE	11	38
2209	PAN HEAD SELF TAPPING SCREW 10 - 16	5	4	286555	GASKET, GEAR HOUSING	31	10
2209	SCREW. PAN HEAD 10 - 16 X 1/2 S.S.	15	14	286571	CENTER MAIN BEARING ROLLER SET (26 PER SET)	17	9
2210	SCREW, PAN HEAD 1/4 - 14 X 1/2 S.S.	15	18	286573-1	CLAMP, STEERING FRICTION	21	6
2211	HEX HEAD CAP SCREW, 10 - 24 X 5/8 S.S.	3	1	286611-2	ROD, GEARSHIFT	5	18
2215	SCREW	9	33	286615	GEAR SHIFT ROD, UPPER	31	1
24074	FOOT, CLAMP SCREW	29	12	286615	ROD, GEARSHIFT UPPER	5	13
24748-2	GASKET, FUEL PUMP	7	25	286634-1	SCREW, CONNECTING ROD	17	13
2706772	HOSE CLAMP	7	14	286647	HANDLE, CARRYING	29	7
2788004	STUD, CARBURETOR	7	10	286685	CONNECTOR, GEARSHITT ROD	5	20
286008	STUD, REAR	31	11	286721	CAM, SHIFT	31	16
286011	WASHER, SWIVEL BRACKET	21	2	286728	SHIFT PIN	31	34
286019	KINGPIN	21	28	286772-1	CLAMP	7	18
286028	BEARING, CRANKSHAFT UPPER	17	7	286818	BEARING	25	29
286080	SCREW, STEERING HANDLE PIVOT	25	18	286827	LEVER, REVERSE LOCK	21	15
286114	HANDLE, LOCK BAR	29	16	286868	SPRING, STEERING HANDLE STOP	25	19
286134	STUD, GEARSHIFT LEVER	5	27	286871	PIN, GEARSHIFT LEVER	5	25
286159-1	GASKET, REED PLATE	7	5	286876	LEVER, GEARSHIFT	5	23
286169	BEARING LOWER SWIVEL BRACKET	21	27	286895	SPRING, CAM DETENT	31	15
286220	WASHER, STEERING HANDLE	25	32	286901	BEARING, PROPELLER SHAFT	31	31
286222	COVER, TRANSFER PORT	7	31	286903	RACE, PROPELLER SHAFT BEARING	31	30
286223	GASKET, TRANSFER PORT COVER	7	32	286914	SLEEVE, WATER IINE	21	36
286224-1	INSERT, STEERING HANDLE PIVOT	25	30	286956	BRACKET, SHOCK MOUNT LOWER	21	30
286244	LINE, WATER	21	35	286989-2	SEAL, SUPPORT PLATE	3	16
286277	GASKET, CRANKSHAFT BEARING CAGE	17	5	289664	WIRE, STATOR GROUND	13	14
286282	WASHER	25	7	298788	FERRULE	35	2
2862B6-1	WASHER	21	18	2A24757	PLATE, FUEL PUMP W/REEDS	7	29
286300	SPRING, REVERSE LOCK	21	25	2A477133	LEG, MOTOR	21	37
286346	MOUNT, LOWER SHOCK	21	34	2A681018	CRANKSHAFT W/UPPER MAIN BEARING	17	6
286347	MOUNT, UPPER SHOCK	21	1	2C709712	COVER, COMPLETE (PAINTED W/DECAIS)	3	5
286349	REVERSE LOCK	21	23	307818	BEARING	3	19
286364	LEVER, REVERSE LOCK	21	10	307818	BEARING	5	26
286414	SPRING, WATER BRACKET	23	42	307818	BEARING	25	14
286422--1	PIVOT	29	2	310398	DECAL, FUEL MIX (NOT SHOWN)	35	-
				31160-2	REED	7	6

# PARTS INDEX

Part Number	Description	Pg.	Ref. No.	Part Number	Description	Pg.	Ref. No.
31410	RETAINING RING, PISTON PIN	17	18	681169	BEARING, SWIVEL BRACKET	21	3
330705	GEAR SHIFT ROD, LOWER (20 INCH TRANSOM MODELS)	31	3	681232	ROPE	15	10
338618-1	SEAL, SHIFT ROD LOWER	31	5	681243	HOSE (PRIME BULB TO CARBURETOR)	7	35
341384	RETAINER, CHOKE ROD	11	40	681263-1	LINK, INTERLOCK	5	15
341562	WATER PUMP BACKPLATE	31	40	681390	DECAL, START PROCEDURE	3	24
341693	WEDGE, STEERING HANDLE	25	33	681408-1	HOUSING	15	1
343014	BEARING, CRANKSHAFT LOWER MAIN	17	15	681424	SPRING, INTERLOCK	5	5
344128	DRIVESHAFT (20 INCH TRANSOM MODELS)	31	41	681427-2	BRACKET	15	3
346118	SEAL, PROP SHAFT	31	24	681428	INSERT, STARTER HOUSING ROPE	15	5
346146	SEAL, CRANKSHAFT UPPER	17	2	681490	STOP, STARTER INTERIOCK	5	L
392756	PACKING	3	13	681531-1	ROD, INTERLOCK	5	10
40253-1	FUEL LINE (SUPPORT PLATE TO FUEL PUMP)	7	15	681579	SEAL	15	12
409719	SPRING, CLUTCH	31	37	681592	RETAINER, STARTER PULLEY	15	13
412376	WIRE, MAGNETO SHORTING	13	-	681631	SHOE, STEERING FRICTION	23	39
424075	HANDLE, CLAMP SCREW	29	11	681741	RING, RETAINING	15	4
424161	REED STOP, 9.9 HP	7	4	681742	LEVER, INTERMEDIATE INTERLOCK	5	16
429472	GASKET, CYLINDER DRAIN COVER	7	21	681759	ROLLER, LATCH	3	11
429541	LOCK, TILT	29	6	681874	FASTENER, HANDIE SUPPORT PLATE	15	19
429811	SCREEN	7	20	681954	COVER, PRIME BULB	7	33
430732	HEX HEAD SCREW, 1/4 - 20 X 1	31	6	681970	SPRING, STARTER REWIND	15	6
430732	SCREW, S.S.	23	41	681971	PLUG	15	7
431838	SHAFT, MAGNETO CONTROL	25	9	681997-1	LEVER, NEUTRAL SPEED INTERLOCK	5	8
436065-2	IMPELLER, WATER PUMP	33	43	681B17	RETAINER, STARTER ROPE	15	20
436280	NUT, SHORTING SWITCH	13	13	687287	SWITCH, EMERGENCY STOP	13	6
455305	SEAL, PROP SHAFT BEARING CAGE	31	22	688585	DECAL, START PROCEDURE	29	21
456098	PROPELLER SHAFT	31	38	688585	DECAL, TILT LOCK	21	21
456717	THRUST WASHER	31	20	7009	LOCKNUT, 10 - 24 S.S.	3	4
458498-1	KEY, MAGNETO	13	23	702329	LANYARD	13	7
458677	INSERT, CHOKE KNOB	11	37	7026	STOP NUT, 3/8 - 16	29	18
458695	SLEEVE	27	42	702801	FITTING, FUEL	35	16
461342	SEAL, DRIVESHAFT SPLINE	17	14	703269	HANDLE, TIIT	3	3
481777	CAM, LATCH	3	21	70339B	DECAL, FUEL MIX	23	43
487816-1	BEARING, STEERING HANDLE	25	36	703518	HEAD, CYLINDER	19	14
50109	PLUG, GEAR HOUSING	31	8	709396	DECAL, STARBOARD	3	8
525286	WASHER	21	14	709397	DECAL, PORT	3	8
536813	BEARING	21	12	709528	DECAL, REAR	3	7
53795-1	SEAL (LARGE)	25	38	709894	INDICATOR, STEERING HANDLE	27	44
617192	PLATE, THROTTLE CAM	13	25	712017	PIN, PISTON	17	19
618445	LINK, MAGNETO SHAFT	25	6	712475	COIL	13	16
66480	STUD, CLAMP SCREW	29	13	714061	CARBURETOR COMPLETE (HO5A)	9	34
681003-1	ARM, STARTER INTERLOCK	5	2	714061	CARBURETOR, COMPLETE	7	37
681008	STUD	5	7	715015	PISTON	17	17
681026	SCREW, LATCH ROLLER	3	12	715151	PLATE, EXHAUST	19	4
681033	SWIVEL	9	32	715152	COVER, EXHAUST	19	1
681046	BULB, PRIME	7	34	715154	GASKET, EXHAUST COVER	19	3
681090	PLATE, HANDLE SUPPORT	15	17	715168	GASKET, MANIFOLD	7	8
681091	NUT, FLYWHEEL	13	1	715279-1	GASKET, CYLINDER MOUNT	19	10
681132	HANDLE, STARTER ROPE	15	21				
681134	STUD	5	6				



# PARTS INDEX

Part Number	Description	Pg.	Ref. No.	Part Number	Description	Pg.	Ref. No.
715614	HANDLE, GEARSHITT	5	29	819279	HANDLE, STEERING	25	39
715619	LEVER, SHIFT HANDLE			819280	SUPPORT PLATE	3	14
	SHAFT	5	30	819281	PLATE, FRONT	3	15
73082	RING, MAGNETO STATOR	17	4	819348	ROD, CHOKE	11	39
73336	PLUG	3	17	819379A1	WIRE	13	26
8003	PLAIN WASHER	7	27	819483A1	GEAR HOUSING KIT (INCLUDES ALL ITEMS REQUIRED TO BUIID COMPLETE LOWER GEAR HOUSI	31	17
8025	PLAIN WASHER	19	16	84026	SCREW, SHOULDER	5	12
8048	BOWED SPRING WASHER	5	19	84026	SCREW, SHOULDER	15	15
8048	BOWED WASHER	3	20	8537	SPRING PIN	29	8
8058	INTERNAL TOOTH LOCKWASHER	5	22	8538	SPRING PIN	21	8
8058	INTERNAL TOOTH LOCKWASHER	25	34	8540	SPRING PIN	29	15
8060	EXTERNAL TOOTH LOCKWASHER	25	12	8542	SPRING PIN	5	24
8083	SPRING LOCKWASHER	3	22	8547	SPRING PIN	5	28
8083	SPRING LOCKWASHER	21	31	8548	SPRING PIN	27	41
8083	SPRING LOCKWASHER	31	18	8553	SPRING PIN	31	12
8088	WASHER	9	31	8554	SPRING PIN	29	10
8143	WASHER, PLAIN #10	5	3	8559	DOWEL PIN	19	8
816514	BEARING, CONTROL ROD	5	11	85610	BEARING	25	28
817749A1	GEAR HOUSING LOWER	31	17	8564	SPRING PIN	31	36
817750A2	BRACKET, SWIVEL W/GREASE FITTING AND LOWER BEARING	21	17	901307-2	MOTOR LEG	21	38
817751A2	BRACKET, STEERING HANDLE W/GREASE FITTING	25	22	901307-2	SEAL, DRIVESHAFT	31	39
817752A1	PROPELLER NUT W/COTTER PIN	31	26	901563	PIN, IMPELLER DRIVE	33	42
817753A1	CAGE, CRANKSHAFT WLSEAL	17	3	901746-2	COVER, FUEL PUMP	7	24
817755A1	CONNECTING ROD LINER SET (2 PER SET)	17	10	901754	FUEL LINE (FUEL PUMP TO CARBURETOR)	7	16
817756A1	CAGE, PROP SHAFT BEARING W/BEARING END SEALS	31	23	901811	FILTER, FUEL	7	22
817761A2	CLAMP SCREW WTHANDLE AND FOOT	29	9	901938-1	SCREW, CYLINDER HEAD	19	15
817952A1	SWITCH, STOP W/NUT	13	5	9030	RETAINER	11	41
818009--1	GEAR, MAGNETO CONTROL SHAFT	25	27	98273	STUD, GEARSHIFT ROD CONNECTOR	5	21
818043A1	FUEL PUMP DIAPHRAGM W/GASKETS	7	30	A1844	HEX BOLT W/LOCKWASHER, 1/4 - 20 X 2-3/8 S.S.	21	32
818046A1	ROD, CONNECTING W/CAP AND SCREWS	17	12	A197752-1	HOSE W/CLAMP AND FERRULE	35	3
8186	WASHER, OIL PLUG	31	9	A286155	CENTER MAIN BEARING LINER SET (2 PER SET)	17	8
819029	DECAL, FUEL MIX	29	20	A286582	ARM, STEERING W/BUMPER AND SPRING PIN	25	11
819038A1	FUEL TANK W/LINE (6 GALLON)	35	15	A324101	PROPELLER PIN, PACK OF 3 W/COTTER PIN	31	28
819160	SHAFT, STEERING HANDLE	27	40	A341510	LINK, REVERSE LOCK	21	22
819182T	SPARK PLUG (CHAMPION L87YC)	13	21	A343178	RETAINER WLSET SCREW	25	24
819251A1	GEAR, BEVEL PINION W/BALL BEARING	31	14	A387742	LEVER, REVERSE LOCK INTERMEDIATE	21	13
819252A1	GEAR, FRONT BEVEL W/BEARING	31	32	A429471	COVER, CYLINDER DRAIN WITH CHECK VALVES AND SCREENS	7	19
819253	CLUTCH	31	35	A456137	GRIP, STEERING HANDLE W/SLEEVE	27	43
819254A1	GEAR, BEVEL REAR WTBEARING	31	21	A472260	PING SET, PISTON (4 PER SET)	17	20
				A492845	EXTENSION, MOTOR LEG (20 INCH TRANSOM MODELS)	23	40
				A510914	SEAL, WATER LINE	33	46

# PARTS INDEX

Part Number	Description	Pg.	Ref. No.	Part Number	Description	Pg.	Ref. No.
A517228	CONNECTING ROD ROLLER SET (2 PER SET) . . . . .	17	11				
A609853	DECAL, SHIFT WARNING . . . . .	13	2				
A617113	LOCK BAR W/HANDLE . . . . .	29	17				
A681239	STARTER PULLEY ASSEMBLY W/PLUG AND SEAL . . . . .	15	11				
A681469	HANDLE, COVER LATCH . . . . .	3	18				
A681630	SUPPORT, HANDLE . . . . .	15	16				
A709010	CYLINDER . . . . .	19	5				
A714097	FLYWHEEL W/DECAL . . . . .	13	3				
A714167	MANIFOLD W/STUDS . . . . .	7	9				
A715060	WATER PUMP BODY W/DRIVESHAFT SEAL . . . . .	33	44				
A715081	LEVER, MAGNETO CONTROL . . . . .	25	5				
A715158	REED PLATE W/REEDS AND REED STOPS - 9.9 HP . . . . .	7	7				
A715554	GEAR HOUSING UPPER W/BEARING, PLUGS AND SEALS . . . . .	31	7				
A84754-1	HOSE W/FERRULES . . . . .	35	1				
C709010	SHORT BLOCK . . . . .	7	1				
C709010	SHORT BLOCK (CYLINDER WITH CRANKSHAFT, PISTONS AND RODS INSTALLED) . . . . .	19	-				
G1036	GASKET SET (INCLUDES ALL GASKETS AND SEALS REQUIRED TO REBUILD POWER HEAD) . . . . .	19	17				
K10294	GASKET SET . . . . .	9	35				
K10295	REPAIR KIT . . . . .	9	36				
K1031-1	WATER PUMP KIT . . . . .	31	33				
K1065	SEAL KIT . . . . .	33	47				
K1123	SPARKIE W/SPRING . . . . .	13	20				
P6477	PROPELLER, 8 X 9-1/4, NYLON, 3 BLADE . . . . .	31	25				
S387766-1	BULB, PRIME . . . . .	35	4				
S617532	STERN BRACKET W/CLAMP SCREW . . . . .	29	L				
S681712	COVER, BASIC (UNPAINTED) . . . . .	3	5				
S901244	EXTENSION, WATER LINE( 20 INCH TRANSOM MODELS) . . . . .	21	33				